



720e

Conveyor General Catalogue



PERFORMANCE IN MOTION



Copyright Regina Catene Calibrate S.p.A. - 2020

All images, products, decorations, texts, signs of this catalog and their graphic layout are exclusive industrial and intellectual property of Regina Catene Calibrate S.p.A.; it is therefore forbidden the reproduction and / or unauthorized use at any title or reason and in any form.

The content of this brochure is only intended to provide general information and of commercial nature, and it may, at any time, be subject to change at the discretion of Regina Catene Calibrate Spa. Despite all the information has been checked for accuracy and completeness, they may contain errors or inaccuracies in some cases, also due to the continuous updating of production. Therefore, Regina Catene Calibrate S.p.A. cannot be held liable for material or immaterial damages in any way arising from inaccurate or incorrect information contained in this catalog.

MANAGEMENT SYSTEM CERTIFICATE

Certificato no./Certificate No.:
CERT-00105-96-AQ-MIL-SINCERT

Data prima emissione/Initial date:
14 settembre 1993

Validità:/Valid:
05 dicembre 2018 - 05 dicembre 2021

Si certifica che il sistema di gestione di/This is to certify that the management system of

REGINA CATENE CALIBRATE S.p.A. - Sede

Via Monza, 90 - 23870 Cernusco Lombardone (LC) - Italy

e i siti come elencati nell'Appendix che accompagna questo certificato / and the sites as mentioned in the appendix accompanying this certificate

È conforme ai requisiti della norma per il Sistema di Gestione Qualità/
has been found to conform to the Quality Management System standard:

ISO 9001:2015

Questa certificazione è valida
per il seguente campo applicativo:

Progettazione, produzione, assistenza pre e post vendita di catene industriali normalizzate e speciali, di catene per applicazioni motociclistiche e motoristiche. Produzione di trafilati e laminati in acciaio (EA 17, 14)

This certificate is valid
for the following scope:

Design, manufacture, pre and after-sale servicing of standardized and special industrial chains, chains for motorcycle and engine applications. Manufacture of drawn steel wire and flattened wire strips (EA 17, 14)

Luogo e Data/Place and date:
Vimercate (MB), 20 novembre 2018



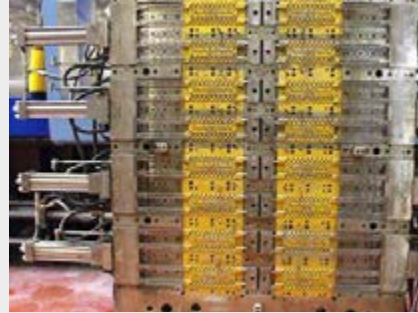
ISOQ N° 003 A
SIGA N° 003 D
SICE N° 007 H
SICA N° 004 F
EPAS N° 009 F
PRQ N° 003 B
PRQ N° 004 C
SIS N° 002 G
Membro di IMA ER per gli schemi di accreditamento
ISOQ, SIGA, PRQ, SICE, SICA, LAB e LAT di IMA SAF
per gli schemi di accreditamento ISOQ, SIGA, SSI, FIM
e PRQ e di IMA SLAC per gli schemi di accreditamento
LAB, PRQ, LAT e SSI

Per l'Organismo di Certificazione/
For the Certification Body
DNV GL – Business Assurance
Via Energy Park, 14 - 20871 Vimercate
(MB) - Italy

Zeno Beltrami
Management Representative

La validità del presente Certificato è subordinata al rispetto delle condizioni contenute nel Contratto di Certificazione/
Lack of fulfilment of conditions as set out in the Certification Agreement may render this Certificate invalid.

DNV GL Business Assurance Italia S.r.l., Via Energy Park, 14 - 20871 Vimercate (MB) - Italy. TEL:039 68 99 905. www.dnvgl.it

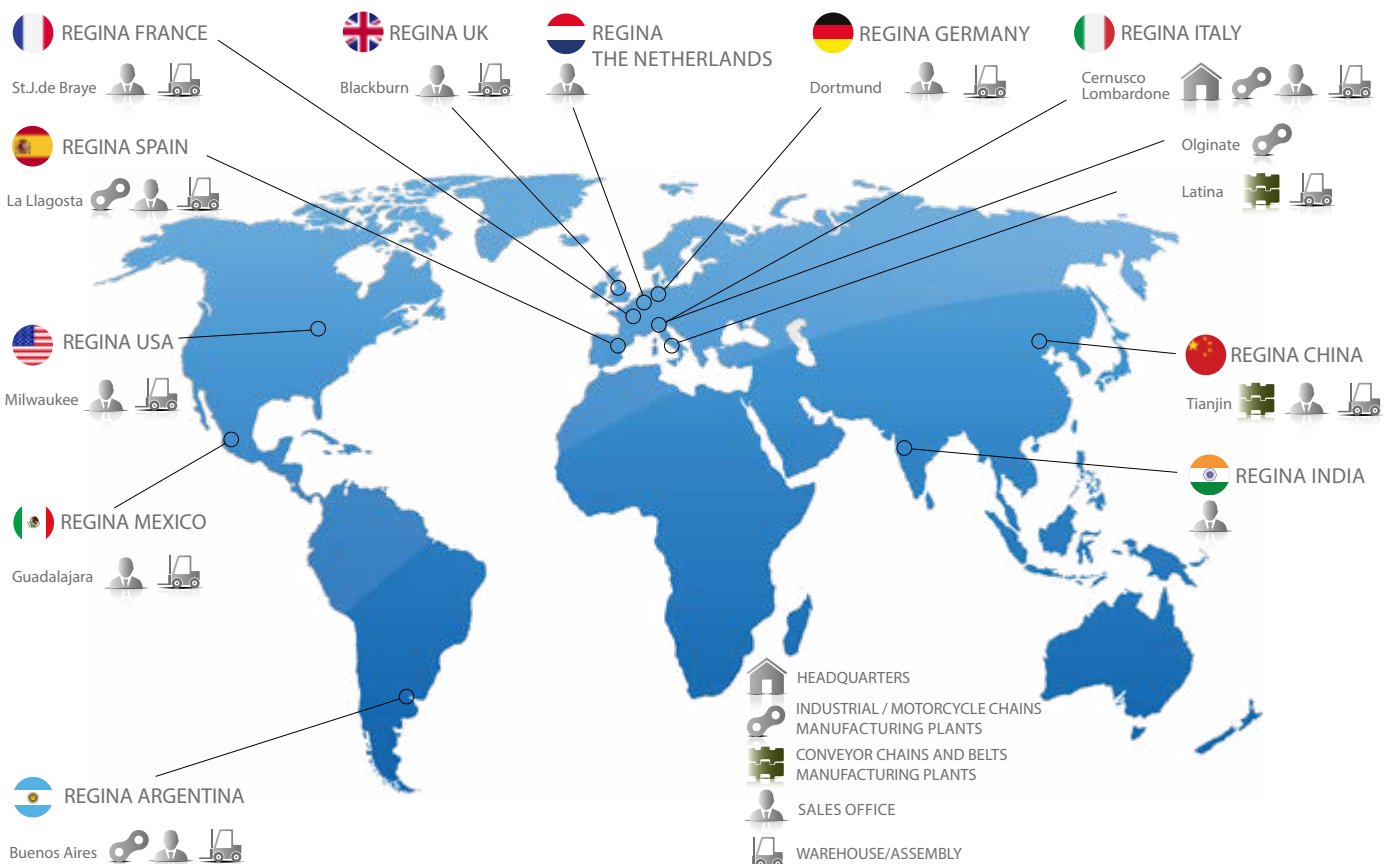


Since 1919

REGINA offers a vanguard and complete product portfolio of conveyor chains, belts and components, made of a wide range of top tier engineered plastics and steel grades, and available in metric and imperial standards. Our products are a top quality solution for the beverage, packaging and glass industries and for many more applications.

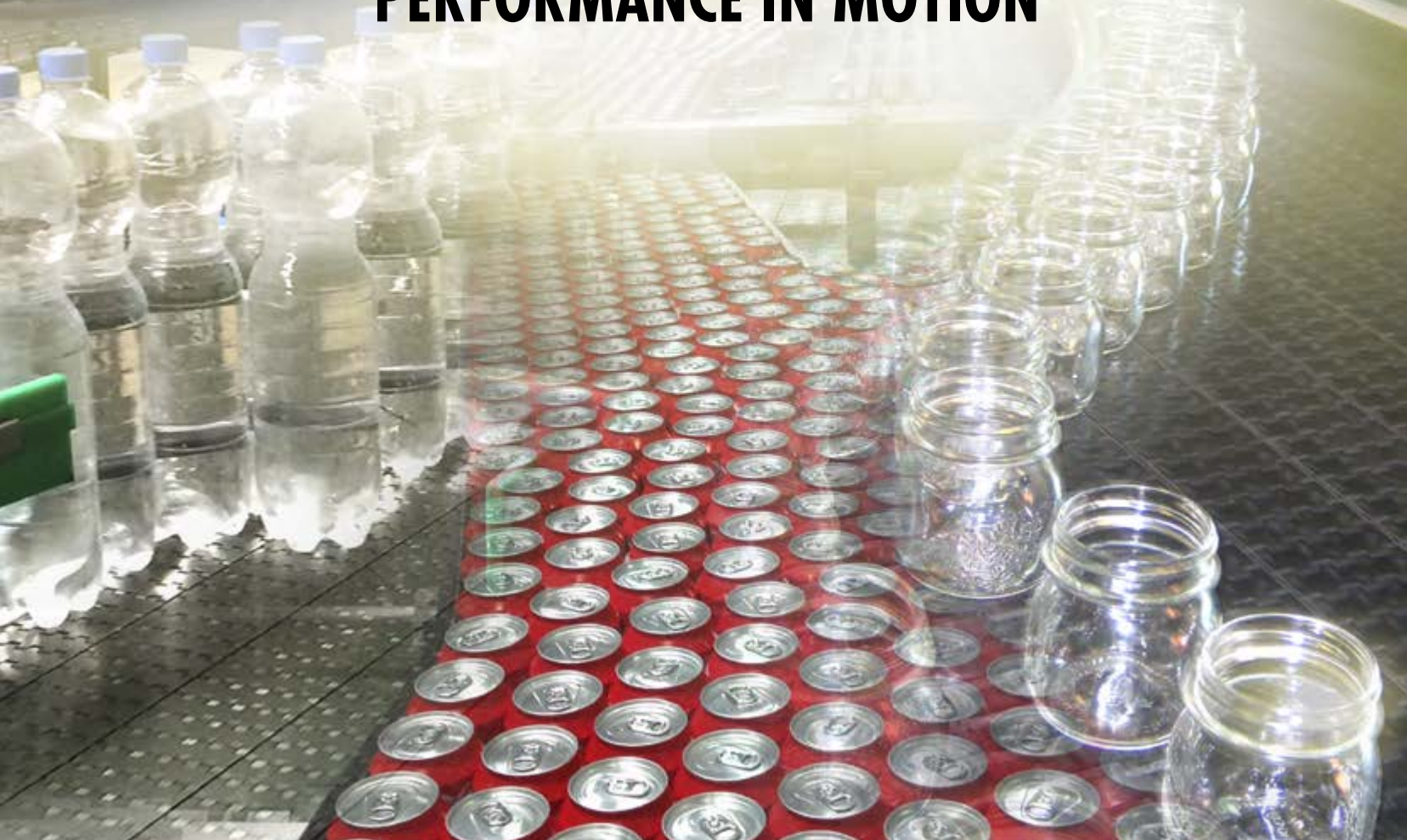
We strongly believe in R&D and heavily invest in our factories, where we manufacture all the products we sell. We operate worldwide through a fully owned subsidiaries network with strong local technical knowledge and a large stock.

Established in 1919, REGINA is now owned by the same family since 4 generations.





PERFORMANCE IN MOTION



STRAIGHT RUNNING STEEL CHAINS

FliteTop



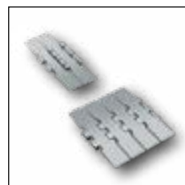
915
Single hinge
Reduced plate gap (1,6 mm)
Pitch 1 1/2" (38,1 mm)
Thickness 3 mm (0.118")
Hinge 42 mm (1.654")

Page 28



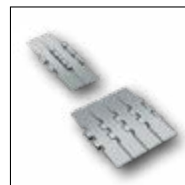
PHD 915
Single hinge
Reduced plate gap (1,6 mm)
Increased pin hardness
Pitch 1 1/2" (38,1 mm)
Thickness 3 mm (0.118")
Hinge 42 mm (1.654")

Page 28



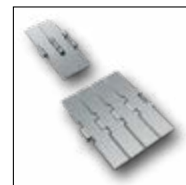
2815
Double hinge
Pitch 1 1/2" (38,1 mm)
Thickness 3 mm (0.118")
Hinge 80 mm (3.150")

Page 30



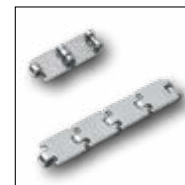
PHD 2815
Double hinge
Increased pin hardness
Pitch 1 1/2" (38,1 mm)
Thickness 3 mm (0.118")
Hinge 80 mm (3.150")

Page 31



PHD 9157
Heavy duty single hinge
Increased pin hardness
Pitch 1 1/2" (38,1 mm)
Thickness 3 mm (0.118")
Hinge 57 mm (2.244")

Page 32



803
Mini hinge
Pitch 1 1/2" (38,1 mm)
Thickness 3 mm (0.118")
Hinge 22 mm (0.866")

Page 33

SIDEFLEXING STEEL CHAINS

FliteTop



881
Bevel
Pitch 1 1/2" (38,1 mm)
Thickness 3 mm (0.118")
Hinge 43 mm (1.693")

Page 34



981
Bevel
Reduced plate gap
Pitch 1 1/2" (38,1 mm)
Thickness 3 mm (0.118")
Hinge 43 mm (1.693")

Page 35



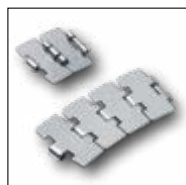
881T
TAB
Pitch 1 1/2" (38,1 mm)
Thickness 3 mm (0.118")
Hinge 43 mm (1.693")

Page 36



981T
TAB
Reduced plate gap
Pitch 1 1/2" (38,1 mm)
Thickness 3 mm (0.118")
Hinge 43 mm (1.693")

Page 37



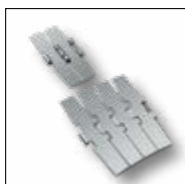
981M
Magnetic
Reduced plate gap
Pitch 1 1/2" (38,1 mm)
Thickness 3 mm (0.118")
Hinge 42 mm (1.654")

Page 38



PHD 981M
Magnetic
Reduced plate gap
Increased pin hardness
Pitch 1 1/2" (38,1 mm)
Thickness 3 mm (0.118")
Hinge 42 mm (1.654")

Page 38



PHD 9857M
Magnetic
Heavy duty single hinge
Increased pin hardness
Pitch 1 1/2" (38,1 mm)
Thickness 3 mm (0.118")
Hinge 57 mm (2.244")

Page 39



982T
TAB
Reduced sideflexing radius (200 mm)
Pitch 1 1/2" (38,1 mm)
Thickness 3 mm (0.118")
Hinge 43 mm (1.693")

Page 40

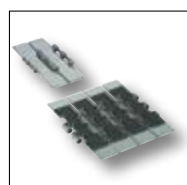
RUBBERIZED SURFACE STEEL CHAINS

FliteTop



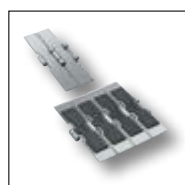
PHD 915
Straight running
Single hinge
Increased pin hardness
Pitch 1 1/2" (38,1 mm)
Thickness 3 mm (0.118")
Hinge 42 mm (1.654")

Page 42



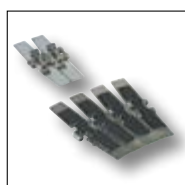
PHD 2815
Straight running
Double hinge
Increased pin hardness
Pitch 1 1/2" (38,1 mm)
Thickness 3 mm (0.118")
Hinge 80 mm (3.150")

Page 43



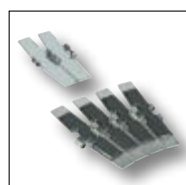
PHD 9157
Straight running
Heavy duty single hinge
Increased pin hardness
Pitch 1 1/2" (38,1 mm)
Thickness 3 mm (0.118")
Hinge 57 mm (2.244")

Page 44



PHD 981T
Sideflexing TAB
Reduced plate gap
Increased pin hardness
Pitch 1 1/2" (38,1 mm)
Thickness 3 mm (0.118")
Hinge 43 mm (1.693")

Page 45



PHD 981M
Sideflexing magnetic
Reduced plate gap
Increased pin hardness
Pitch 1 1/2" (38,1 mm)
Thickness 3 mm (0.118")
Hinge 42 mm (1.654")

Page 46

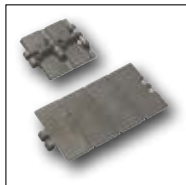


PHD 9857M
Sideflexing magnetic
Heavy duty single hinge
Increased pin hardness
Pitch 1 1/2" (38,1 mm)
Thickness 3 mm (0.118")
Hinge 57 mm (2.244")

Page 47

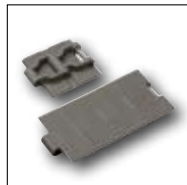
STRAIGHT RUNNING PLASTIC CHAINS

FliteTop®



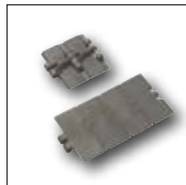
820
Single hinge
Pitch 1 1/2" (38,1 mm)
Thickness 4 mm (0.157")
Hinge 41,6 mm (1.638")

Page 50



828
Reinforced single hinge
Reduced plate gap
Pitch 1 1/2" (38,1 mm)
Thickness 4 mm (0.157")
Hinge 42 mm (1.654")

Page 51



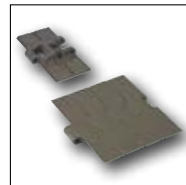
831
Single hinge
Reinforced top plate
Pitch 1 1/2" (38,1 mm)
Thickness 4,8 mm (0.189")
Hinge 41,6 mm (1.638")

Page 52



821
Double hinge
Reinforced top plate
Pitch 1 1/2" (38,1 mm)
Thickness 4,8 mm (0.189")
Hinge 136,5 mm (5.374")

Page 53

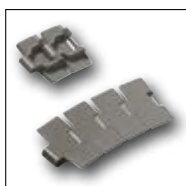


8257
Heavy duty single hinge
Reinforced top plate
Pitch 1 1/2" (38,1 mm)
Thickness 4,8 mm (0.189")
Hinge 57 mm (2.244")

Page 54

SIDEFLEXING PLASTIC CHAINS

FliteTop®



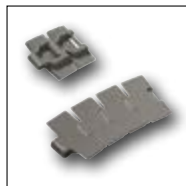
880
Bevel
Pitch 1 1/2" (38,1 mm)
Thickness 4 mm (0.157")
Hinge 43 mm (1.693")

Page 55



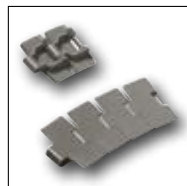
880T
TAB
Pitch 1 1/2" (38,1 mm)
Thickness 4 mm (0.157")
Hinge 42,9 mm (1.689")

Page 56



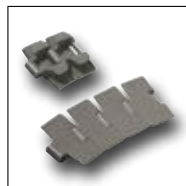
880M RG
Magnetic
Reduced plate gap
Pitch 1 1/2" (38,1 mm)
Thickness 4 mm (0.157")
Hinge 42 mm (1.654")

Page 57



879
Bevel
Reinforced top plate
Pitch 1 1/2" (38,1 mm)
Thickness 4,8 mm (0.189")
Hinge 43 mm (1.693")

Page 58



879T
TAB
Reinforced top plate
Pitch 1 1/2" (38,1 mm)
Thickness 4,8 mm (0.189")
Hinge 42,9 mm (1.689")

Page 59



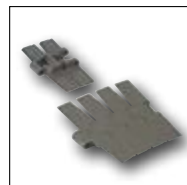
882
Bevel
Heavy duty single hinge
Reinforced top Plate
Pitch 1 1/2" (38,1 mm)
Thickness 4,8 mm (0.189")
Hinge 61 mm (2.402")

Page 60



882T
TAB
Heavy duty single hinge
Reinforced top Plate
Pitch 1 1/2" (38,1 mm)
Thickness 4,8 mm (0.189")
Hinge 57 mm (2.244")

Page 61



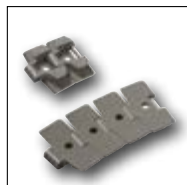
882M
Magnetic
Heavy duty single hinge
Reinforced top Plate
Pitch 1 1/2" (38,1 mm)
Thickness 4,8 mm (0.189")
Hinge 57 mm (2.244")

Page 62



878T
TAB
Reinforced top Plate
Reduced sideflexing
radius (200 mm)
Pitch 1 1/2" (38,1 mm)
Thickness 4,8 mm (0.189")
Hinge 42,9 mm (1.689")

Page 63

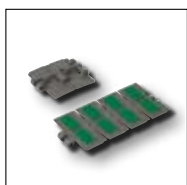


880TA
TAB
Vacuum series
Pitch 1 1/2" (38,1 mm)
Thickness 4 mm (0.157")
Hinge 42,9 mm (1.689")

Page 64

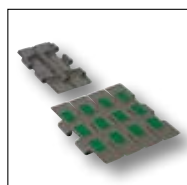
RUBBERIZED SURFACE PLASTIC CHAINS

FliteTop®



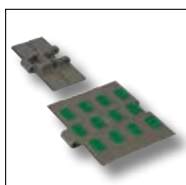
HFX 820
Straight running
Single hinge
Pitch 1 1/2" (38,1 mm)
Thickness 4 mm (0.157")
Hinge 41,6 mm (1.638")

Page 66



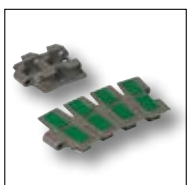
HFX 821
Straight running
Double hinge
Pitch 1 1/2" (38,1 mm)
Thickness 4,8 mm (0.189")
Hinge 136,5 mm (5.374")

Page 67



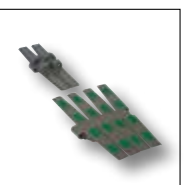
HFX 8257
Straight running
Heavy duty single hinge
Reinforced Top Plate
Pitch 1 1/2" (38,1 mm)
Thickness 4,8 mm (0.189")
Hinge 57 mm (2.244")

Page 68



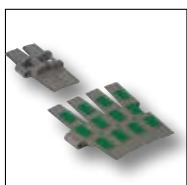
HFX 880T
Sideflexing TAB
Pitch 1 1/2" (38,1 mm)
Thickness 4 mm (0.157")
Hinge 42,9 mm (1.689")

Page 69



HFX 882T
Sideflexing TAB
Heavy duty single hinge
Reinforced Top Plate
Pitch 1 1/2" (38,1 mm)
Thickness 4,8 mm (0.189")
Hinge 57 mm (2.244")

Page 70



HFX 882M
Sideflexing Magnetic
Heavy duty single hinge
Reinforced Top Plate
Pitch 1 1/2" (38,1 mm)
Thickness 4,8 mm (0.189")
Hinge 57 mm (2.244")

Page 71

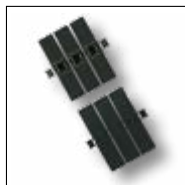


HFX 1873T
Two Piece
Sideflexing TAB
Pitch 3/4" (19,05 mm)
Thickness 4 mm (0.157")
Hinge 32,1 mm (1.264")

Page 72

TWO-PIECE CHAINS

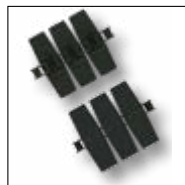
FliteTop



1864

Straight running
Steel flights
Pitch 3/4" (19,05 mm)
Thickness 3 mm (0.118")
Hinge 27 mm (1.063")

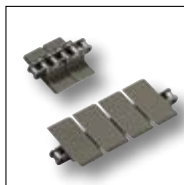
Page 75



1874T/1874TM

Sidexflexing TAB
Steel flights
Flight gap 8,2 mm
Reduced flight gap 5,7 mm (1874TM)
Pitch 3/4" (19,05 mm)
Thickness 3 mm (0.118")
Hinge 31,8 mm (1.252")

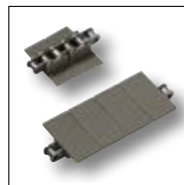
Page 76



843

Straight running
Plastic flights
Pitch 1/2" (12,7 mm)
Thickness 3.2 mm (0.126")
Hinge 20,6 mm (0.811")

Page 77



845

Straight running
Plastic flights
Bidirectional
Pitch 1/2" (12,7 mm)
Thickness 3.2 mm (0.126")
Hinge 20,6 mm (0.811")

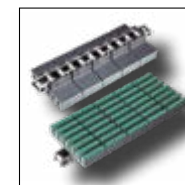
Page 78



RR 845

Straight running
Plastic flights
Bidirectional
Raised rib
Pitch 1/2" (12,7 mm)
Thickness 12,2 mm (0.480")
Hinge 20,6 mm (0.811")

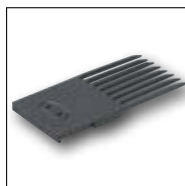
Page 79



HF RR 845

Straight running
Plastic flights
Bidirectional
Rubberized raised rib
Pitch 1/2" (12,7 mm)
Thickness 12,2 mm (0.480")
Hinge 20,6 mm (0.811")

Page 80



Transfer combs

For HF RR 845 belts

Page 81



863

Straight running
Plastic flights
Pitch 3/4" (19,05 mm)
Thickness 4 mm (0.157")
Hinge 34,1 mm (1.343")

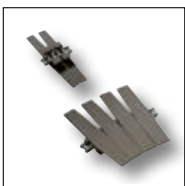
Page 82



1843T

Sidexflexing TAB
Plastic flights
Pitch 1/2" (12,7 mm)
Thickness 3.2 mm (0.126")
Hinge 20 mm (0.787")

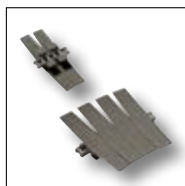
Page 83



1873T

Sidexflexing TAB
Plastic flights
Pitch 3/4" (19,05 mm)
Thickness 4 mm (0.157")
Hinge 32,1 mm (1.264")

Page 84



1863T

Sidexflexing TAB
Plastic flights
Reduced flight gap
Pitch 3/4" (19,05 mm)
Thickness 4 mm (0.157")
Hinge 32,1 mm (1.264")

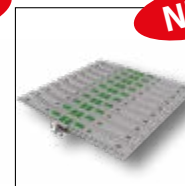
Page 85



1883

Spiral chain
Plastic flights
Integrated bearings
Pitch 1" (25,4 mm)
Thickness 4,8 mm (0.189")
Hinge 42,9 mm (1.689")

Page 86



HFX 1883

Spiral chain
Rubberized plastic flights
Integrated bearings
Pitch 1" (25,4 mm)
Thickness 4,8 mm (0.189")
Hinge 42,9 mm (1.689")

Page 87

PRODUCTION RANGE



GRIPPER CHAINS

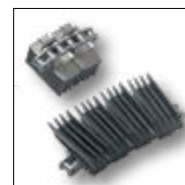
FliteTop



GV 1874T

Two - piece
Steel flights
Short fingers
Pitch 3/4" (19,05 mm)
Thickness 3 mm (0.118")
Hinge 31,8 mm (1.252")

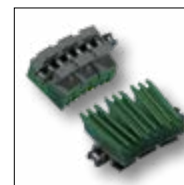
Page 91



EV 1874T

Two - piece
Steel flights
Long fingers
Pitch 3/4" (19,05 mm)
Thickness 3 mm (0.118")
Hinge 31,8 mm (1.252")

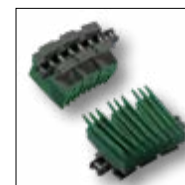
Page 92



GW 1873T

Two - piece
Plastic flights
Short fingers
Pitch 3/4" (19,05 mm)
Thickness 4 mm (0.157")
Hinge 32,1 mm (1.264")

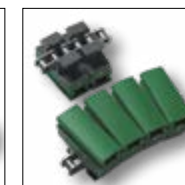
Page 93



EW 1873T

Two - piece
Plastic flights
Long fingers
Pitch 3/4" (19,05 mm)
Thickness 4 mm (0.157")
Hinge 32,1 mm (1.264")

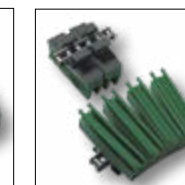
Page 94



GD 1873T

Two - piece
Plastic flights
D-shape
Pitch 3/4" (19,05 mm)
Thickness 4 mm (0.157")
Hinge 32,1 mm (1.264")

Page 95



GU 1873T

Two-piece
Plastic Flights
U-shape
Pitch 3/4" (19,05 mm)
Thickness 4 mm (0.157")
Hinge 32,1 mm (1.264")

Page 96



GD 1873T

Two - piece
Plastic flights
D-shape
Pitch 3/4" (19,05 mm)
Thickness 4 mm (0.157")
Hinge 32,1 mm (1.264")

Page 97



GC 1873T

Two-piece
Plastic flights
"House"-shape rubber
Pitch 3/4" (19,05 mm)
Thickness 4 mm (0.157")
Hinge 32,1 mm (1.264")

Page 98



EW 1843T

Two-piece
Plastic Flights
Long Fingers
Pitch 1/2" (12,7 mm)
Thickness 3,3 mm (0.130")
Hinge 19,85 mm (0.781")

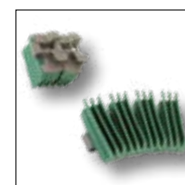
Page 99



GW 878T

One - piece
Plastic plates
Short fingers
Pitch 1 1/2" (38,1 mm)
Thickness 4,8 mm (0.189")
Hinge 42,9 mm (1.689")

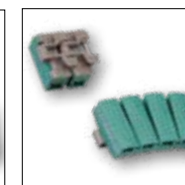
Page 100



EW 878T

One - piece
Plastic plates
Long fingers
Pitch 1 1/2" (38,1 mm)
Thickness 4,8 mm (0.189")
Hinge 42,9 mm (1.689")

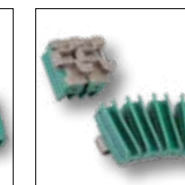
Page 101



GD 878T

One - piece
Plastic plates
D-shape
Pitch 1 1/2" (38,1 mm)
Thickness 4,8 mm (0.189")
Hinge 42,9 mm (1.689")

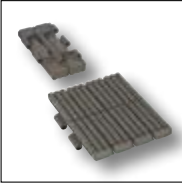
Page 101



GU 878T

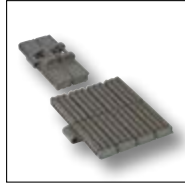
One - piece
Plastic plates
U-shape
Pitch 1 1/2" (38,1 mm)
Thickness 4,8 mm (0.189")
Hinge 42,9 mm (1.689")

Page 103



LBP 821
 Straight running
 Double hinge
 Pitch 1 ½" (38,1 mm)
 Thickness 4,8 mm (0.189")
 Hinge 136,5 mm (5.374")

Page 106



LBP 8257
 Straight running
 Heavy duty single hinge
 Pitch 1 ½" (38,1 mm)
 Thickness 4,8 mm (0.189")
 Hinge 57 mm (2.244")

Page 107



LBP 882T
 Sideflexing TAB
 Heavy duty single hinge
 Pitch 1 ½" (38,1 mm)
 Thickness 4,8 mm (0.189")
 Hinge 57 mm (2.244")

Page 108



LBP 882M
 Sideflexing Magnetic
 Heavy duty single hinge
 Pitch 1 ½" (38,1 mm)
 Thickness 4,8 mm (0.189")
 Hinge 57 mm (2.244")

Page 109

BIPLANAR CHAINS



1700
 Sideflexing
 Increased product
 support surface
 Pitch 1.97" (50 mm)
 Thickness 4 mm (0.157")

Page 111



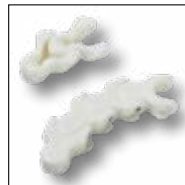
Turning disc
 For 1700 Series

Page 112



1702
 Sideflexing
 Pitch 1.97" (50 mm)
 Thickness 5 mm (0.197")

Page 114



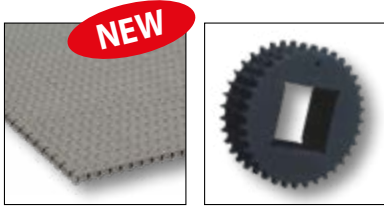
1701T
 Sideflexing TAB
 Pitch 1.97" (50 mm)
 Thickness 5 mm (0.197")

Page 115

SPROCKETS FOR CHAINS



Page 118

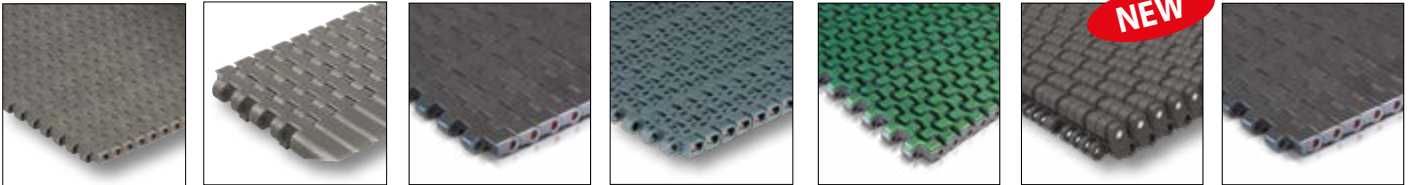


8300
Solid Top
Imperial width standard
Thickness 6,15 mm (0.242")

Sprockets
8300 series

Page 162 Page 163

½" PITCH BELTS AND CHAINS



600
Solid top
Flat bottom surface
Metric width standard
Thickness 8,7 mm (0.343")

600G ATM
Active transfer modules
Solid top
Metric width standard
Thickness 8,7 mm (0.343")

610
Solid top
Round bottom surface
Metric width standard
Thickness 8,7 mm (0.343")

500
Flush grid
Metric width standard
Thickness 8,7 mm (0.343")

HF 510
Rubberized surface
Metric width standard
Thickness 8,7 mm (0.343")

LBP 610
LBP rollers
Metric width standard
Thickness 8,7 mm (0.343")

300
Solid Top
Imperial width standard
Thickness 8,7 mm (0.343")

Page 168 Page 170 Page 171 Page 173 Page 174 Page 176 Page 177



300G ATM
Active transfer modules
Solid top
Imperial width standard
Thickness 8,7 mm (0.343")

200
Flush grid
Imperial width standard
Thickness 8,7 mm (0.343")

HF 200
Rubberized surface
Imperial width standard
Thickness 8,7 mm (0.343")

Nosebar
For ½" pitch belts with
metric and imperial width
standard

611 / RR 611
Narrow chains
Solid top (611)
Raised Rib (RR 611)
Thickness 8,7 mm (0.343")

Transfer combs
For RR 611 belts

Sprockets
611 series
600 series

Page 178 Page 179 Page 180 Page 181 Page 183 Page 185 Page 186

1" PITCH LIGHT DUTY BELTS AND CHAINS



1600
Solid top
Metric width standard
Thickness 8,7 mm (0.343")

1600G ATM
Active transfer modules
Solid top
Metric width standard
Thickness 8,7 mm (0.343")

1500
Flush grid
Metric width standard
Thickness 8,7 mm (0.343")

1500G ATM
Active transfer modules
Flush grid
Metric width standard
Thickness 8,7 mm (0.343")

1600 & 1500 with flights

RR 1500
Raised rib
Metric width standard
Thickness 8,7 mm (0.343")

Transfer combs
For RR 1500 belts

Page 195 Page 197 Page 198 Page 201 Page 202 Page 204 Page 205



HF 1600
Rubberized surface
Metric width standard
Thickness 8,7 mm (0.343")

HFS 1600
Rubberized surface
Side indent
Metric width standard
Thickness 8,7 mm (0.343")

RR 1600
Dedicated chains
Raised rib
Metric width standard
Thickness 8,7 mm (0.343")

Transfer combs
For RR 1600 chains

1110
Raised rib
Imperial width standard
Thickness 9,6 mm (0.378")

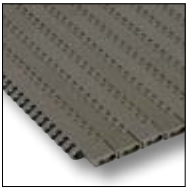
Transfer combs
For 1110 belts

Sprockets
1010 series

Page 206 Page 207 Page 208 Page 209 Page 210 Page 211 Page 212

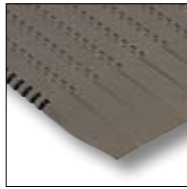
3/4" PITCH MEDIUM DUTY BELTS AND CHAINS

Matveyor®



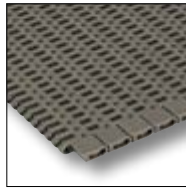
7300
Solid top
Imperial width standard
Thickness 8,7 mm (0.343")

Page 221



7300G ATM
Active transfer modules
Solid top
Imperial width standard
Thickness 8,7 mm (0.343")

Page 223



7200
Flush grid
Imperial width standard
Thickness 8,7 mm (0.343")

Page 224

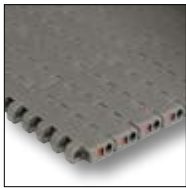


Sprockets
7300 series

Page 226

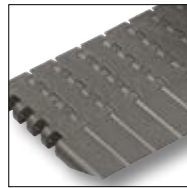
1" PITCH HEAVY DUTY BELTS AND CHAINS

Matveyor®



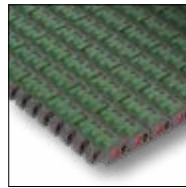
USPM
Solid top
Metric width standard
Thickness 12,7 mm (0.500")

Page 231



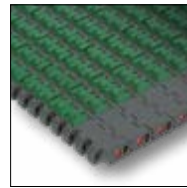
USPMG ATM
Active transfer modules
Solid top
Metric width standard
Thickness 12,7 mm (0.500")

Page 233



HF USPM
Rubberized surface
Metric width standard
Thickness 12,7 mm (0.500")

Page 234



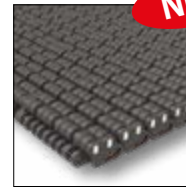
HFS USPM
Rubberized surface
Side indent
Metric width standard
Thickness 12,7 mm (0.500")

Page 235



LBP USPM
LBP rollers
Metric width standard
Thickness 12,7 mm (0.500")

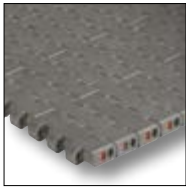
Page 236



LBP XSPM
LBP rollers
Safety design
Metric width standard
Thickness 11 mm (0.433")

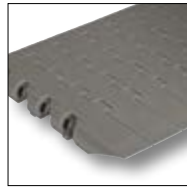
Page 237

NEW



USP
Solid top
Imperial width standard
Thickness 12,7 mm (0.500")

Page 238



USPG ATM
Active transfer modules
Solid top
Imperial width standard
Thickness 12,7 mm (0.500")

Page 240



Sprockets
USP series

Page 241

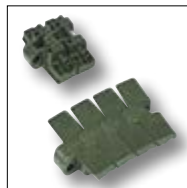
1" PITCH SIDEFLEXING CHAINS

Matveyor®



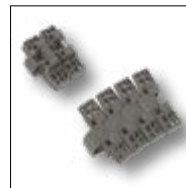
783T
TAB
Solid top
For light duty belts
Thickness 8,7 mm (0.343")

Page 246



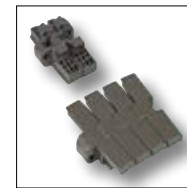
783M
Magnetic
Solid top
For light duty belts
Thickness 8,7 mm (0.343")

Page 247



782M
Magnetic
Flush grid
For light duty belts
Thickness 8,7 mm (0.343")

Page 247



793T
TAB
Solid top
For heavy duty belts
Thickness 12,7 mm (0.500")

Page 248



793M
Magnetic
Solid top
For heavy duty belts
Thickness 12,7 mm (0.500")

Page 249



793L
Low Pin Center
Solid Top
For heavy duty belts
Thickness 12,7 mm (0.500")

Page 250

NEW



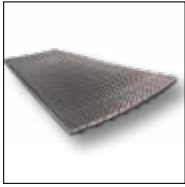
Sprockets
782 series

Page 251

REELINA PRODUCTION RANGE

1 1/4" PITCH HEAVY DUTY SIDEFLEXING BELTS

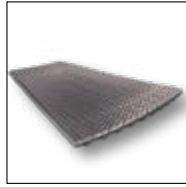
Matveyor®



2556HTB

TAB+Bearing
Reinforced outer module
Metric width standard
Thickness 12,7 mm (0.500")

Page 255



2556HTB-SR

TAB+Bearing
Reinforced outer module
Reduced sideflexing radius
Metric width standard
Thickness 12,7 mm (0.500")

Page 256



Sprockets

2556 series

Page 257

2" PITCH HEAVY DUTY RAISED RIB BELTS

Matveyor®



3125

Raised rib
Seamless product support
at the edges of the belt
Imperial width standard
Thickness 14,2 mm (0.580")

Page 265



Transfer combs

For 3125 belt

Page 266



Sprockets

3000 series

Page 268

1 1/2" PITCH HEAVY DUTY UCC CHAINS

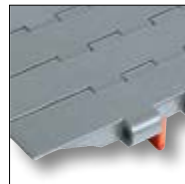
ULTOP®



UCC

Solid top
Imperial width standard
Thickness 12,7 mm (0.500")

Page 272



UCCG ATM

Active transfer modules
Solid top
Imperial width standard
Thickness 12,7 mm (0.500")

Page 273



UCC 138

3/4" Pitch
Solid top
Imperial width standard
Thickness 15 mm (0.591")

Page 274



Sprockets

UCC series
UCC138 series

Page 275

CORNER TRACKS



Magnetic curves
For FliteTop® and Matveyor® chains

Page 278



TAB curves
For FliteTop® chains and Matveyor® sideflexing belts and chains

Page 320



Bevel curves
For FliteTop® chains

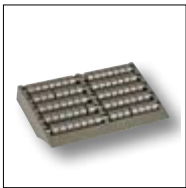
Page 325



Low Pin Center curves
For Matveyor® chains

Page 328

CONVEYOR COMPONENTS



Modular transfer plates
For FliteTop® chains and Matveyor® belts

Page 331



Return rollers
For FliteTop® chains, Matveyor® belts and chains, ULTOP® chains

Page 332



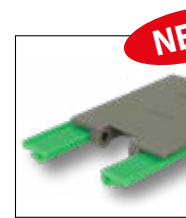
Guide flanges
For FliteTop® chains, Matveyor® belts and chains, ULTOP® chains

Page 334



Return shoe guide
For FliteTop® LBP chains and Matveyor® LBP belts

Page 334



Wear strips
For FliteTop® chains, Matveyor® belts and chains, ULTOP® chains

Page 335



Product side guides

Page 342

STEEL AND THERMOPLASTIC CHAINS, MODULAR BELTS

	Type	Description	Features
STEEL	S	Carbon Steel	Through hardened carbon steel. Surface and core hardness of 43 HRC. Excellent strength and wear resistance. Not suitable in presence of water.
	SS - 4	Ferritic Stainless Steel	Cold rolled ferritic stainless steel. Good wear, mechanical and corrosion resistance. For food & beverage applications.
	P	PRIMA Superior Grade Ferritic Stainless Steel	Superior grade of cold rolled special ferritic stainless steel. Special Cr-Ni alloy offering very good wear and mechanical properties. Particularly suitable for high productivity lines (combiners and inliners).
	SS	Austenitic Stainless Steel	Cr-Ni austenitic cold rolled stainless steel. It guarantees the best corrosion resistance to withstand chemical attack. It offers very good wear resistance, due to work hardening and homogeneous chemical structure.
ACETAL POM	WA <i>White</i>	White Acetal	DuPont™ Delrin® homopolymer acetal resin.
	UP <i>Dark Brown</i>	Ultra Performance Homopolymer Delrin®	DuPont™ Delrin® Ultra Performance special homopolymer acetal resin. Particularly suitable for applications where low coefficient of friction and contained dusting are needed.
	DK2™ <i>Dark Green</i>	Special Delrin® Reinforced with Kevlar®	Next generation material, based on a Delrin® acetal resin reinforced with Kevlar®, developed by REGINA and DuPont™, able to reach the lowest coefficient of friction with maximum wear resistance. Thanks to the superior properties of DK2™ , the usage of lubricants can be drastically reduced or even eliminated without losing performance in conveyor applications.
	e-FAST. <i>Yellow</i>	Ecological Friction Abating Thermoplastic	Ultimate dry running homopolymer acetal resin developed combining REGINA field expertise with DuPont™ centenarian acetal resin knowledge. Today's standards for high performance filling lines require a combination of high speed and high productivity, while reducing or eliminating lubrication. REGINA e-FAST. material is capable of exceeding such standards, thanks to its unique characteristic of delivering a much lower and constant coefficient of friction over time in dry or almost dry running conditions vs. other plastic chains.
	AS <i>Black</i>	Antistatic Acetal Resin	Conductive acetal resin particularly suitable for all applications where static charges on the chain must be avoided.
POLYAMIDE	AR <i>Black</i>	Abrasion Resistance Polyamide	Suitable for glass manufacturing applications. Reinforced polyamide with excellent wear resistance and low dusting. Only for dry running applications.
POLYPROPYLENE	P <i>Light Blue</i>	Reinforced Polypropylene	For FliteTop® Chains. Reinforced polypropylene that guarantees the best corrosion resistance to withstand chemical attack and an optimum high temperature resistance.
	PP <i>Grey</i>	Special Polypropylene	For Matveyor® Belts. Special polypropylene that guarantees the best corrosion resistance to withstand chemical attack and an optimum high temperature resistance.
POLYESTER	ULF <i>Light Grey</i>	Ultra Low Friction Polyester Resin	Polyester resin that offers good mechanical strength in combination with low coefficient of friction.

DuPont™ Delrin® and DuPont™ Kevlar® are registered trade marks of E.I. DuPont De Nemours and Associates.

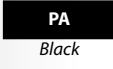


RUBBERS

Type	Description	Features
	NBR Rubber	NBR Rubber with hardness of 70 ShA, applied on stainless steel chains, guarantees an excellent product grip on inclined/declined conveyors, high wear resistance and superior resistance against sanitizers ordinary used in bottling industries.
	Thermoplastic Rubber	Special Thermoplastic rubber with hardness from 50 ShA up to 70 ShA and optimum wear resistance that guarantees exceptional product grip in inclined/declined conveyors and elevators/lowerators, extending life without losing elasticity.
	Heat Stabilized Thermoplastic Rubber	Special Thermoplastic rubber resistant to high temperatures, with hardness from 45 ShA to 70 ShA, for rinsers and cap sterilizer applications.
	EPDM Rubber	For gripper chain series. EPDM rubber with hardness of 60 ShA guarantees an excellent grip and high temperature resistance.






BASE ROLLER CHAINS

Type	Description	Features
	Carbon Steel	Through hardened carbon steel. Excellent strength and wear resistance.
	Stainless Steel	Stainless Steel for the best corrosion resistance to withstand chemical attack. Prelubricated with high performance lube suitable for the food industry (USDA H1 approved) which guarantees long-lasting effect for the chain.
	Maintenance free carbon steel	For "lube-free" applications. ENDURO maintenance free chains outlast standard chains without periodic lubrication. The unique technology and "heavy wall" design of the sintered bushing ensures excellent wear resistance.
	Carbon Steel Nickel Plated	Through hardened carbon steel and electroless nickel plating for good corrosion resistance. Excellent strength and wear resistance.


SPROCKETS AND TURNING DISCS

Type	Description	Features
POLYAMIDE	 <p>PA Black</p>	<p>Polyamide</p> <p>For sprockets. Machined polyamide that guarantees toughness combined with wear and abrasion resistance.</p>
	 <p>PGF Black</p>	<p>Reinforced Polyamide</p> <p>For sprockets and turning discs. Moulded polyamide reinforced with glass fibers allowing higher strength and excellent abrasion resistance.</p>
ACETAL POM	 <p>WA White</p>	<p>White Acetal</p> <p>For sprockets 3000 series. DuPont™ Delrin® homopolymer acetal resin.</p>

CURVES AND STATIC NOSEBAR

Type	Description	Features
POLYETHYLENE	 <p>SUPREME -A Green</p>	<p>UHMWPE</p> <p>For Magnetic and Low Pin Center curves. Ultra high molecular weight polyethylene (about 7 milion gr/mole) with good wear resistance and low coefficient of friction.</p>
	 <p>e-SLIDE Blue</p>	<p>High performance Self-Lubricating UHMWPE</p> <p>For Magnetic, TAB, Bevel and Low Pin Center curves. New ultimate Ultra High Molecular Weight Polyethylene (molecular density of 9.000.000 g/mol), developed and produced in-house by REGINA. Thanks to special lube additives compounded with the material, provides superior sliding performance and excellent wear resistance of chains and belts in most critical conveying applications characterized by high-speeds, dry running conditions, high abrasion.</p>
	 <p>UHMWPE Black</p>	<p>UHMWPE</p> <p>For Bevel and TAB curves. Ultra high molecular weight polyethylene with good wear and abrasion resistance.</p>
	 <p>SUPREME -L Grey</p>	<p>Self-Lubricating UHMWPE</p> <p>For ½" pitch belts nosebar. High grade of ultra high molecular weight polyethylene (about 7-9 milion gr/mole) with optimum wear and abrasion resistance, combined with advanced lubricant for excellent sliding properties.</p>
POLY AMIDE	 <p>SUPREME -S Yellow</p>	<p>Oil-Filled PA</p> <p>For Magnetic, TAB, Bevel and Low Pin Center curves. Special high grade and oil-filled polyamide, with superior abrasion resistance and extremely high PV limit. Dry running only.</p>

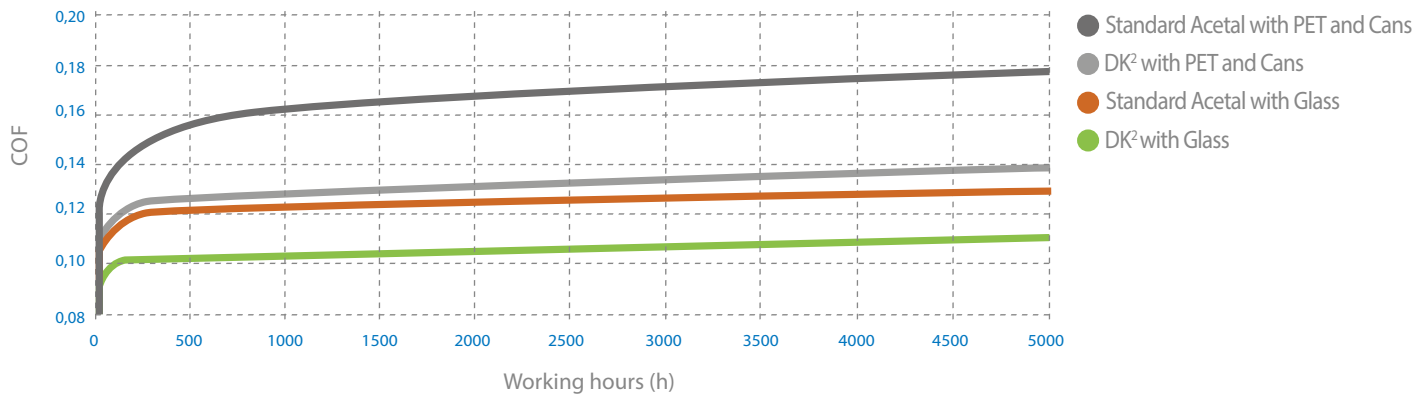
CONVEYOR COMPONENTS

Type	Description	Features
ACETAL POM DG <i>Dark Grey</i>	Acetal Resin	For combs. Good wear resistance and low coefficient of friction.
POLYETHYLENE	HDPE <i>Black</i>	High Density Polyethylene For return rollers, product side guide and shoe guide. High density polyethylene with low coefficient of friction and good wear resistance.
	HDPE <i>Grey</i>	
	HDPE <i>Green</i>	
	UHMWPE <i>Green</i>	UHMWPE For wear strips. Ultra high molecular weight polyethylene with reduced coefficient of friction and high wear resistance.
	 e-SLIDE <i>Blue</i>	High performance Self-Lubricating UHMWPE For wear strips. New ultimate Ultra High Molecular Weight Polyethylene (molecular density of 9.000.000 g/mol), developed and produced in-house by REGINA. Thanks to special lube additives compounded with the material, provides superior sliding performance and excellent wear resistance of chains and belts in most critical conveying applications characterized by high-speeds, dry running conditions, high abrasion.
POLYPROPYLENE PP <i>Black</i>	Polypropylene	For guide flanges. Lightweight material that offers optimum chemical and high temperature resistance.

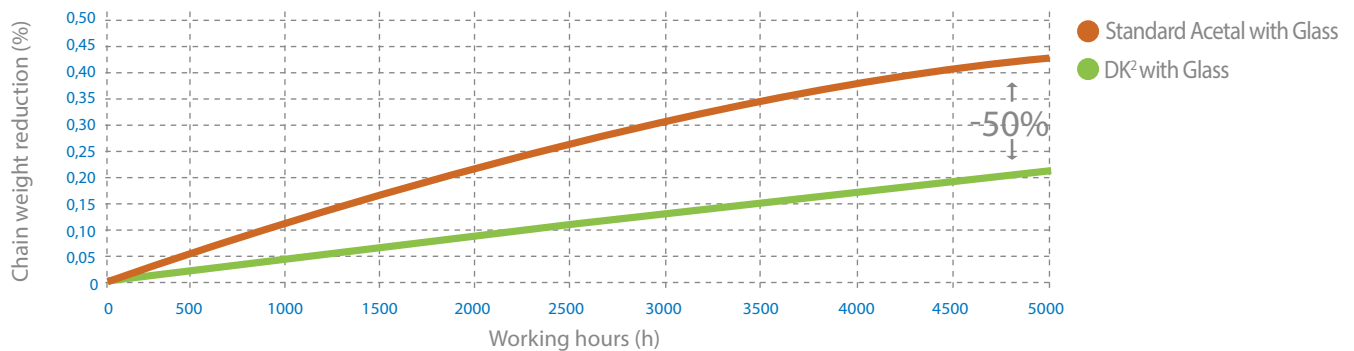


Developed with and on the market for 20 years, **DK²** is a lubricated acetal resin reinforced with Kevlar[®] that combines a **low coefficient of friction** with a **very high wear resistance**, resulting in longer chain life and running-cost savings.

COF IN DRY RUNNING CONDITIONS*



WEAR IN DRY RUNNING CONDITIONS*



FEATURES

- Excellent for PET, Can and Glass applications
- Lower coefficient of friction in dry running conditions vs. standard acetal resin
- 30-50% superior wear resistance in dry running conditions vs. standard acetal resin (depending on container material)

BENEFITS

- Significant reduction or elimination of lubrication, leading to:
 - Less lube "build-up"
 - Reduction of motor power absorption
 - Longer center to center distances
- Very significant chain life increase vs. standard acetal resins
- Lower running and maintenance costs vs. standard acetal resins

*Coefficient of friction and wear data measured in actual field tests

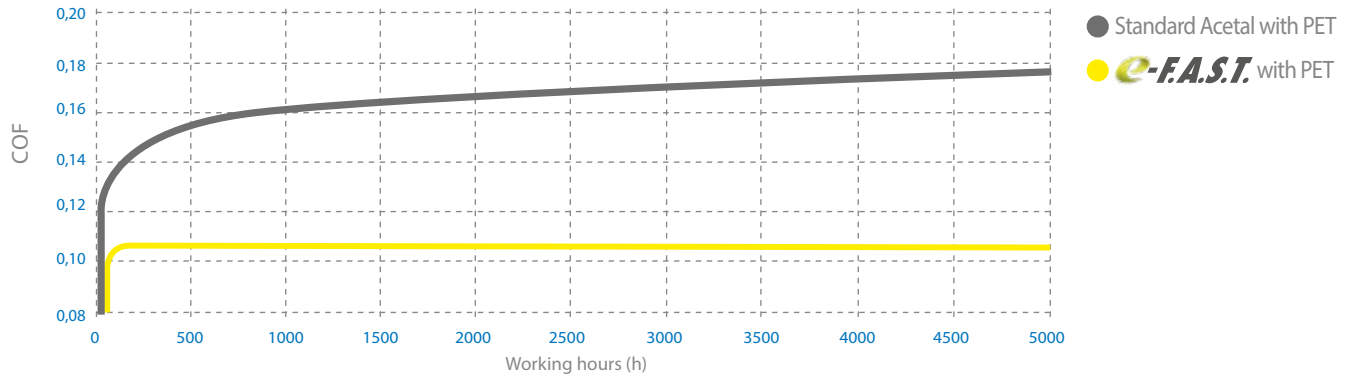
e-F.A.S.T.

FRICION ABATING SLIDING THERMOPLASTIC

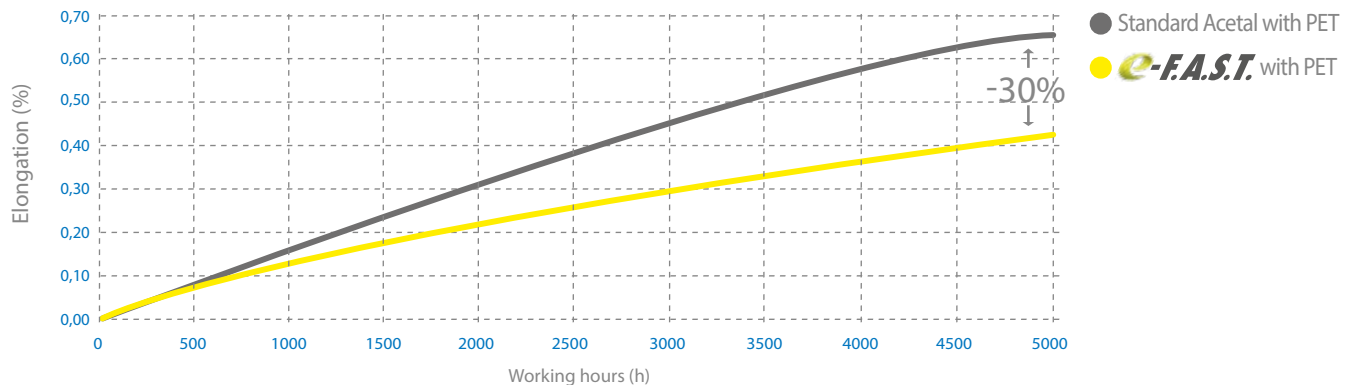
Developed with , **e-F.A.S.T.** is the ultimate dry running acetal resin compounded with specific lubricants for PET bottling applications, able to deliver a **much lower and constant coefficient of friction** and **minimal elongation** over time in **dry running conditions** vs. other plastic chains.

NEW FOR PET BOTTLES

COF IN DRY RUNNING CONDITIONS*



WEAR IN DRY RUNNING CONDITIONS*



FEATURES

- Lowest coefficient of friction in PET dry running applications
- Long lasting and constant coefficient of friction
- Negligible dusting in dry running conditions
- Bright chain color


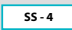

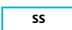
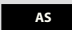



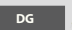






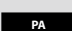











BENEFITS

- Elimination or strong reduction of lubrication
- Reduced chain pull and increased energy savings
- Increased chain life
- Reduced maintenance costs
- Due to bright color, easy identification of conveyor cleaning needs

*Coefficient of friction and wear data measured in actual field tests






The materials used by REGINA can be applied in the range of temperatures stated in the following tables.

TABLE "A"

	MATERIAL	USED FOR	MIN. TEMPERATURE		MAX. TEMPERATURE			
					DRY ENVIRONMENT		WET ENVIRONMENT	
			°C	°F	°C	°F	°C	°F
STEEL	CARBON STEEL 	CHAINS	-30	-22	+371	+700	-	-
	FERRITIC STAINLESS STEEL  	CHAINS	-40	-40	+427	+800	+427	+800
	AUSTENITIC STAINLESS STEEL 	CHAINS	-40	-40	+538	+1000	+538	+1000
PLASTIC	ACETAL RESIN      	CHAINS/BELTS/SPROCKETS/COMBS	-40	-40	+80	+176	+65	+149
	POLYPROPYLENE   	CHAINS/BELTS/COMPONENTS	0	32	+104	+220	+104	+220
	ABRASION RESISTANT POLYAMIDE* 	CHAINS/BELTS	-40	-40	+100	+212	-	-
	POLYESTER RESIN 	CHAINS/BELTS	+4	+39	+80	+176	+65	+149
	POLYAMIDE  	SPROCKETS/TURNING DISCS	-20	-4	+120	+248	+120	+248
	POLYETHYLENE         	CURVES/NOSEBAR/COMPONENTS	-40	-40	+80	+176	+80	+176
POLYAMIDE* 	CURVES	-40	-40	+100	+212	-	-	

* For dry running applications only.

TABLE "B"

RUBBER MATERIAL	COLOUR	AVERAGE HARDNESS	MIN. TEMPERATURE		MAX. TEMPERATURE				NOT SUITABLE WITH	RESISTANT TO
					DRY ENVIRONMENT		WET ENVIRONMENT			
			°C	°F	°C	°F	°C	°F		
NBR 	BLACK	70	-10	+14	+110	+230	+80	+176	STRONG ACIDS AND BASES	OILS
EPDM 	BLACK	60	-30	-22	+120	+248	+120	+248	OILS	WEAK ACIDS
THERMOPLASTIC  	GREEN/GREY	50-70	-40	-40	+80	+176	+80	+176	OILS	WEAK ACIDS
HEAT STABILIZED THERMOPLASTIC 	GREY	45-70	-30	-22	+130	+266	+130	+266	OILS	HIGH TEMPERATURES

It is important to choosing the right material for FliteTop[®], Matveyor[®] and ULTOP[®] chains and belts according to possible chemicals used in application. As a guide TABLE "C" shows the performance of FliteTop[®], Matveyor[®] and ULTOP[®] chains/belts materials with various chemicals. For chemicals not listed in TABLE "C", please contact our Technical Service group for advice.

TABLE "C"

CHEMICAL AGENT	CARBON STEEL	AUSTENITIC STAINLESS STEEL	FERRITIC STAINLESS STEEL		ACETAL RESIN		POLYPROPYLENE		ABRASION RESISTANT POLYAMIDE	POLYESTER RESIN
	S	SS	SS-4	P	AS	UP	P	PP	AR	ULF
ACETIC ACID 5%	-	*	-	-	-	-	*	*	+	*
ACETONE	-	*	*	*	+	*	*	*	*	+
ALCOHOL	*	*	*	*	*	*	*	*	*	*
AMMONIA CONC.	+	*	*	*	-	*	*	*	*	+
AMMONIA WATER SOL.	+	*	*	*	*	*	*	*	*	*
ANILINE 3%	/	/	/	/	*	*	*	/	/	+
AQUA REGIA	-	-	-	-	-	+	*	/	/	/
BEER	+	*	*	*	*	*	*	*	*	*
BENZENE	*	*	*	*	*	*	*	*	*	-
BENZOL	*	*	*	*	*	*	*	*	*	+
BRINE ACID	-	+	-	-	+	*	*	+	+	+
BUTYRIC ACID	*	*	*	*	-	*	*	-	-	/
CARBON TETRACHLORIDE	+	+	+	+	*	-	*	*	*	/
CHLORINE WATER	-	+	+	+	-	*	*	-	-	-
CHOCOLATE	+	*	*	*	-	+	*	-	-	+
CITRIC ACID	-	*	+	+	+	*	*	+	+	+
FORMALDEHYDE	*	*	*	*	*	*	*	*	*	*
FORMIC ACID 10%	-	-	-	-	-	*	*	-	-	+
FRUIT JUICE	-	*	+	+	*	*	*	*	*	*
GASOLINE	*	*	*	*	*	+	*	*	*	+
GRAPE HUSK	-	+	-	-	-	*	*	-	-	+
HYDROCHLORIC ACID 2%	-	-	-	-	-	*	*	-	-	+
HYDROCHLORIC ACID 37%	-	-	-	-	-	*	*	-	-	-
HYDROGEN PEROXIDE	-	*	+	+	-	*	*	-	-	+
IODINE	-	-	-	-	-	-	-	-	-	-
LACTIC ACID	-	*	+	+	*	*	*	+	+	*
MILK	*	*	*	*	*	*	*	*	*	*
MUSTARD	*	*	*	*	-	+	*	-	-	+
NITRIC ACID 5%	-	*	*	*	-	*	*	-	-	+
OIL	*	*	*	*	*	-	*	-	-	*
OIL (VEGETABLE & MINERAL)	*	*	*	*	*	*	*	*	*	*
PARAFFIN	*	*	*	*	*	*	*	*	*	*
PHOSPHORIC ACID %	-	*	+	+	-	*	*	-	-	-
SEA WATER	-	+	-	-	+	*	*	-	-	*
SOAP & WATER	+	*	*	*	*	*	*	*	*	*
SODIUM CHLORIDE	-	+	-	-	*	*	*	*	*	*
SODIUM HYDROXIDE 25%	-	*	*	*	-	*	*	/	-	-
SODIUM HYPOCHLORITE	-	+	-	-	-	*	*	*	*	+
SOFT DRINKS	+	*	*	*	*	*	*	*	*	*
SPIRITS	*	*	*	*	*	*	*	*	*	*
SULPHURIC ACID 40%	-	-	-	-	-	*	*	-	-	+
TOLUENE	/	/	/	/	+	+	+	/	/	+
TURPENTINE	*	*	*	*	/	*	*	/	/	*
VEGETABLE JUICE	+	*	*	*	*	*	*	*	*	*
WATER	-	*	*	*	*	*	*	*	*	*
WINE	*	*	*	*	*	*	*	*	*	*
XYLOL	/	/	/	/	/	/	/	/	/	/

LEGEND
 *=SATISFACTORY
 +=MARGINAL
 -=UNSATISFACTORY
 /=UNDETERMINED

Data shown in the table was taken from laboratory tests performed on unstrained samples and are merely indicative. Chemical resistance under normal working conditions can depend on various factors, such as stress and temperature, concentration of the chemical agent and duration of its effects.

FliteTop[®] CHAINS

CONVEYED
PRODUCTS

PRODUCTS

STEEL CHAINS

Carbon Steel	<input type="checkbox"/>	Ferritic	<input type="checkbox"/>	Austenitic	<input type="checkbox"/>	PHD Series*	Rubberized Series
	<input type="checkbox"/>		<input type="checkbox"/>		<input type="checkbox"/>		<input type="checkbox"/>

FOOD / BEVERAGE / BOTTLING APPLICATIONS	CONVEYED PRODUCTS	APPLICATIONS	PRODUCTS				
			Carbon Steel	Ferritic	Austenitic	PHD Series*	Rubberized Series
FOOD / BEVERAGE / BOTTLING APPLICATIONS	CANS (2-3 PIECES)	Depalletizer					
		Inliner/combiner					
		Mass conveyors					
		Accumulation tables					
		Sterilizers / Rinsers Elevators / Lowerators					
		Infeed packaging machines					
		Packaging machines					
		Packaged products convey					
		Inclined conveyors					
	PET BOTTLES	Inliner/combiner					
		Mass conveyors					
		Accumulation tables					
		Sterilizers / Rinsers Elevators / Lowerators					
		Infeed packaging machines					
		Packaging machines					
		Packaged products convey					
		Inclined conveyors					
		GLASS BOTTLES**	Depalletizer				
	Inliner/combiner						
	Mass conveyors						
	Accumulation tables						
	Sterilizers / Rinsers Elevators / Lowerators						
	Infeed packaging machines						
	Packaging machines						
	Packaged products convey						
	Inclined conveyors						
	GLASS MFG.	GLASS BOTTLES	Inliner/combiner				
Mass conveyors							
Accumulation tables							
Palletizer							
Omega / Blowing Machines							
SPECIAL APPLICATIONS	AUTOMOTIVE / MECHANICAL IND.	Conveyors lines					
	CHEMICAL, DETERGENTS, PHARMACEUTICAL AND COSMETICS IND.	Conveyors lines					
	DAIRY IND.	Conveyors lines					

* PHD Series features PRIMA material plates and hardened martensitic stainless steel pins.

** In case of returnable glass bottles, please contact REGINA Application Engineers.

CONVEYED PRODUCTS		Matveyor® ULTOP® CHAINS/ BELTS	PRODUCTS							
			NANOPITCH (8mm)	LIGHT DUTY SHORT PITCH (½")				LIGHT DUTY (1" PITCH)		
			8300	600 610 300	500 200	HF 510 HF 200	611 RR611	LBP610	1600	1500
FOOD / BEVERAGE / BOTTLING APPLICATIONS	CANS (2-3 PIECES)	Depalletizer								
		Inliner/combiner								
		Mass conveyors								
		Accumulation tables								
		Warmer								
		Infeed packaging machines								
		Packaging machines								
		Packaged products convey								
	PET BOTTLES	Inliner/combiner								
		Mass conveyors								
		Accumulation tables								
		Warmer								
		Infeed packaging machines								
		Packaging machines								
		Packaged products convey								
	GLASS BOTTLES	Depalletizer								
		Inliner/combiner								
		Mass conveyors								
		Accumulation tables								
		Pasteurizer								
		Infeed packaging machines								
		Packaging machines								
		Packaged products convey								
	GLASS MFG.	GLASS BOTTLES	Inliner/combiner							
			Mass conveyors							
			Accumulation tables							
			Palletizer							
	SPECIAL APPLICATIONS	PHARMACEUTICAL DETERGENT COSMETICS CONTAINERS	Conveyors lines							
BAKERY		Conveyors lines								
PAPER/ CARDBOARD		Conveyors lines								



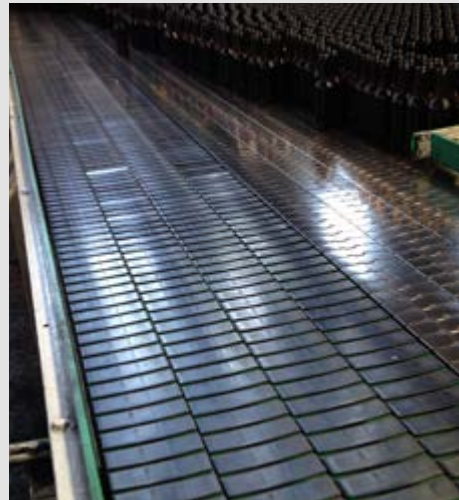
PERFORMANCE IN MOTION





PERFORMANCE IN MOTION

FliteTop[®]





PERFORMANCE IN MOTION

FliteTop[®] Steel Chains



INDUSTRIES AND APPLICATIONS

STAINLESS STEEL CHAINS

Suitable for handling: new glass and returnable glass containers, kegs, crates.

INDUSTRIES

Bottling and canning
Food filling
Glass manufacturing
Consumer goods

APPLICATIONS

Depalletizer
Inliner / combiner
Mass conveyors
Accumulation tables
Infeed / outfeed packaging machines
Packaged product convey



CARBON STEEL CHAINS

Suitable for handling: new glass & metal containers, abrasive components.

INDUSTRIES

Glass manufacturing
Automotive / Mechanical

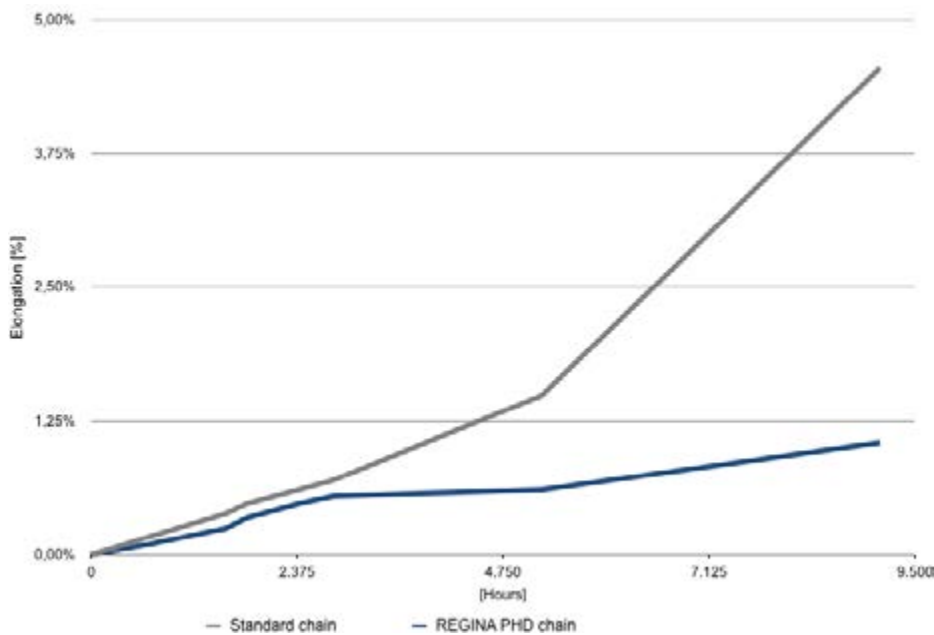
APPLICATIONS

Inliner / combiner
Mass conveyors
Accumulation tables
Pallettizer



FEATURES

- Premium surface finishing and flatness.
- PRIMA material available (REGINA Cr-Ni based SS special alloy) with improved wear resistance and sliding properties, suitable for high speed bottling lines.
- Hardened pin available (PHD series) for the highest resistance to chain elongation over a long period of time.



Application conditions

Product conveyed: glass returnable
Test area: uncaser
Dirty environment
Lubrication: water and soap
Conveyor length: 5 mt
Chain speed: 21 m/1' (60.000 b/h)

SINGLE HINGE

REDUCED PLATE GAP 1,6 mm

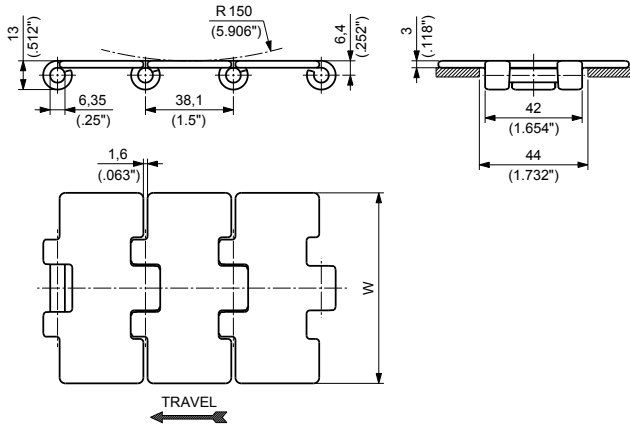
INCREASED PIN HARDNESS (PHD 915 SERIES)

SPECIAL XPHD CHAINS FOR PRESSURELESS COMBINERS **NEW**

PITCH 1 ½" (38,1 mm)

THICKNESS 3 mm (0.118")

HINGE 42 mm (1.654")



915



Materials
see page 12



Sprockets
see pages 119÷126



Applications
see page 20

MATERIALS		ITEM DESCRIPTION	PART NUMBER	WIDTH W		SURFACE FINISH Ra	POLISHED HINGES	YIELD LOAD AVERAGE		WEIGHT	
Plate	Pin			mm	inch			N	lbs	kg/m	lbs/ft
PRIMA P	AUSTENITIC STAINLESS STEEL	P 915 K 2 ¼	P915KS/000	57,1	2.25	0,3	NO	8500	1,913	2,00	1.34
		P 915 K 2 ½	P915KR/000	63,5	2.50	0,3	NO	8500	1,913	2,14	1.44
		P 915 K 2 ⅝	P915KC/000	66,7	2.63	0,3	NO	8500	1,913	2,21	1.49
		P 915 K 3 ¼	P915KD/000	82,6	3.25	0,3	YES	8500	1,913	2,57	1.72
		P 915 K 3 ⅜	P915KRA/000	83,8	3.30	0,3	YES	8500	1,913	2,60	1.75
		P 915 K 3 ½	P915KE/000	88,9	3.50	0,3	NO	8500	1,913	2,71	1.82
		P 915 K 4	P915KF/000	101,6	4.00	0,3	NO	8500	1,913	2,99	2.00
		P 915 K 4 ½	P915KG/000	114,3	4.50	0,3	NO	8500	1,913	3,28	2.20
		P 915 K 6	P915KH/000	152,4	6.00	0,3	NO	8500	1,913	4,13	2.78
		P 915 K 7 ½	P915KL/000	190,5	7.50	0,3	NO	8500	1,913	4,99	3.35

PHD 915

MATERIALS		ITEM DESCRIPTION	PART NUMBER	WIDTH W		SURFACE FINISH Ra	POLISHED HINGES	YIELD LOAD AVERAGE		WEIGHT	
Plate	Pin			mm	inch			N	lbs	kg/m	lbs/ft
PRIMA P	HARDENED MARTENSITIC STAINLESS STEEL	NEW XPHD 915 K 3 ¼	XPHD915KD/000	82,6	3.25	0,2	YES	8500	1,913	2,57	1.72
		NEW XPHD 915 K 3 ⅜	XPHD915KRA/000	83,8	3.30	0,2	YES	8500	1,913	2,60	1.75
		PHD 915 K 4 ½	PHD915KG/000	114,3	4.50	0,3	NO	8500	1,913	3,28	2.20
		PHD 915 K 7 ½	PHD915KL/000	190,5	7.50	0,3	NO	8500	1,913	4,99	3.35



Standard packaging:
Rolls of 3,048 m (10 feet)

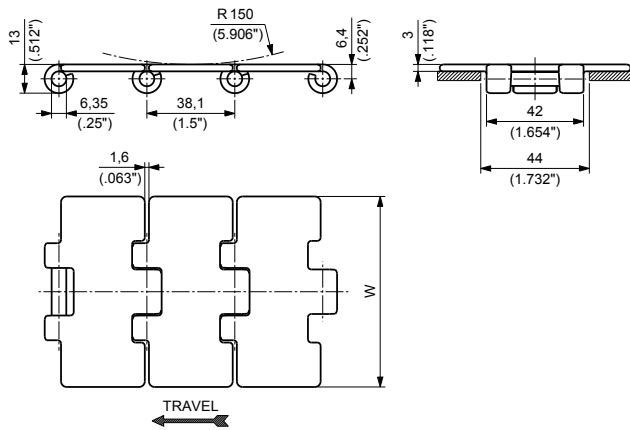
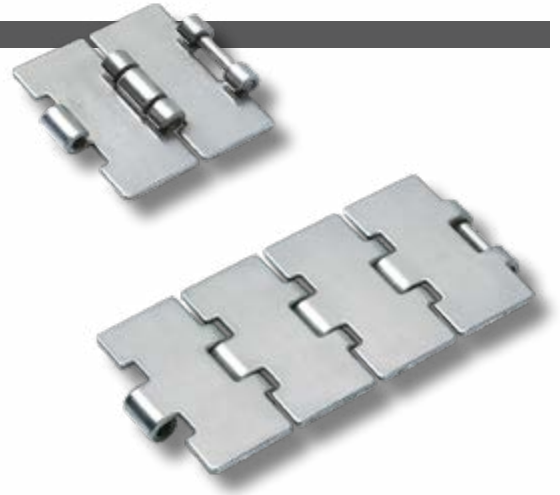
SINGLE HINGE

REDUCED PLATE GAP (1,6 mm)

PITCH 1 ½" (38,1 mm)

THICKNESS 3 mm (0.118")

HINGE 42 mm (1.654")



Materials
see page 12



Sprockets
see pages 119-126



Applications
see page 20

MATERIALS		ITEM DESCRIPTION	PART NUMBER	WIDTH W		SURFACE FINISH Ra	POLISHED HINGES	YIELD LOAD AVERAGE		WEIGHT	
Plate	Pin			mm	inch			N	lbs	kg/m	lbs/ft
CARBON STEEL S	CASE HARDENED STEEL	S 915 K 3 ¼	S915KD/000	82,6	3.25	-	NO	12300	2,765	2,58	1.73
		S 915 K 4	S915KF/000	101,6	4.00	-	NO	12300	2,765	3,01	2.02
		S 915 K 4 ½	S915KG/000	114,3	4.50	-	NO	12300	2,765	3,30	2.22
		S 915 K 6	S915KH/000	152,4	6.00	-	NO	12300	2,765	4,15	2.79
		S 915 K 7 ½	S915KL/000	190,5	7.50	-	NO	12300	2,765	5,02	3.38
FERRITIC STAINLESS STEEL SS-4	AUSTENITIC STAINLESS STEEL	SS 915-4 K 3 ¼	SS915-4KD/000	82,6	3.25	0,3	NO	5800	1,304	2,52	1.69
		SS 915-4 K 83,8	SS915-4KRA/000	83,8	3.30	0,3	NO	5800	1,304	2,55	1.71
		SS 915-4 K 4 ½	SS915-4KG/000	114,3	4.50	0,3	NO	5800	1,304	3,21	2.16
		SS 915-4 K 7 ½	SS915-4KL/000	190,5	7.50	0,3	NO	5800	1,304	4,96	3.33
AUSTENITIC STAINLESS STEEL SS	AUSTENITIC STAINLESS STEEL	SS 915 K 3 ¼	SS915KD/000	82,6	3.25	0,3	NO	5600	1,259	2,57	1.72
		SS 915 K 4	SS915KF/000	101,6	4.00	0,3	NO	5600	1,259	2,99	2.01
		SS 915 K 4 ½	SS915KG/000	114,3	4.50	0,3	NO	5600	1,259	3,28	2.20
		SS 915 K 6	SS915KH/000	152,4	6.00	0,3	NO	5600	1,259	4,13	2.78
		SS 915 K 7 ½	SS915KL/000	190,5	7.50	0,3	NO	5600	1,259	4,99	3.35



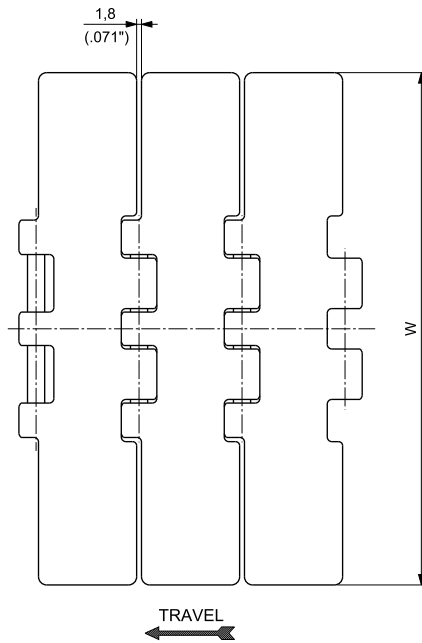
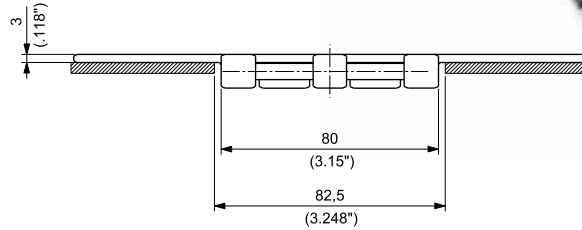
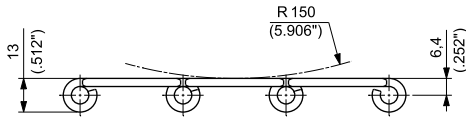
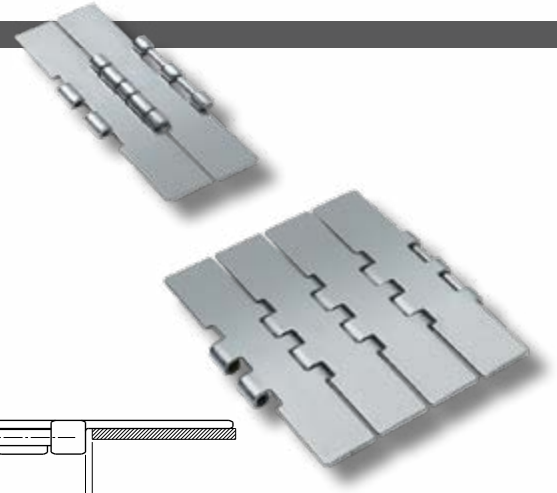
Standard packaging:
Rolls of 3,048 m (10 feet)

DOUBLE HINGE

PITCH 1 1/2" (38,1 mm)

THICKNESS 3 mm (0.118")

HINGE 80 mm (3.150")



FliteTop



Materials
see page 12



Sprockets
see pages 127-130



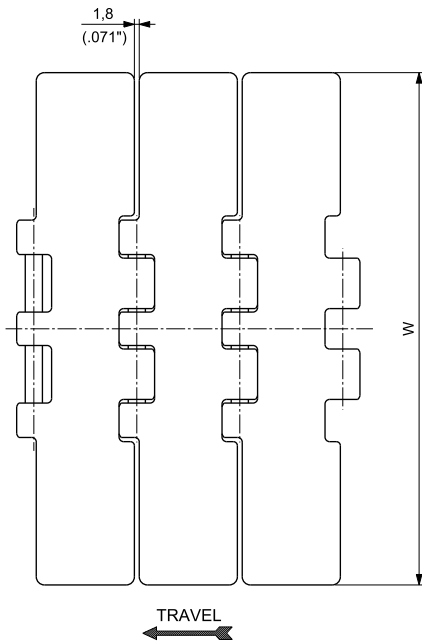
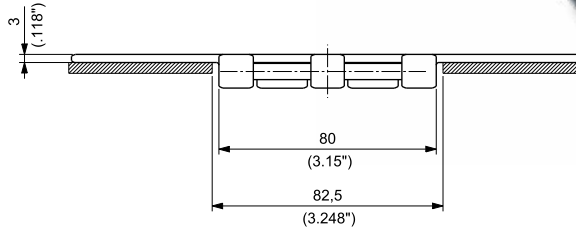
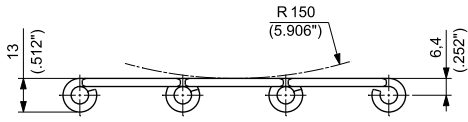
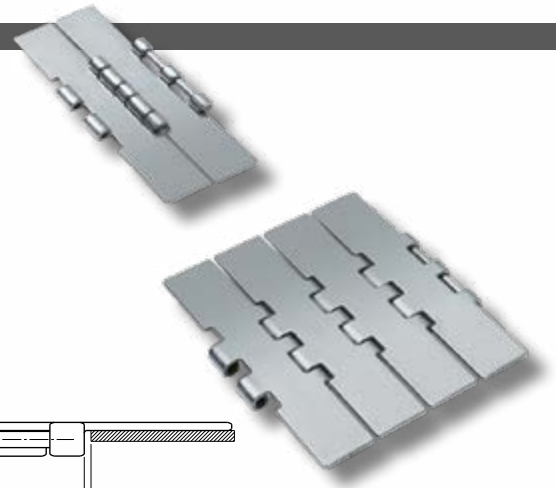
Applications
see page 20

MATERIALS		ITEM DESCRIPTION	PART NUMBER	WIDTH W		SURFACE FINISH Ra	POLISHED HINGES	YIELD LOAD AVERAGE		WEIGHT	
Plate	Pin			mm	inch			N	lbs	kg/m	lbs/ft
CARBON STEEL S	CASE HARDENED STEEL	S 2815 K 7 1/2	S2815KL/000	190,5	7.50	0,3	NO	18000	4,046	5,56	3.73
FERRITIC STAINLESS STEEL SS-4	AUSTENITIC STAINLESS STEEL	SS 2815-4 K 7 1/2	SS28154KL/000	190,5	7.50	0,3	NO	10300	2,315	5,58	3.75
AUSTENITIC STAINLESS STEEL SS	AUSTENITIC STAINLESS STEEL	SS 2815 K 7 1/2	SS2815KL/000	190,5	7.50	0,3	NO	10600	2,383	5,61	3.77
PRIMA P	AUSTENITIC STAINLESS STEEL	P 2815 K 7 1/2	P2815KL/000	190,5	7.50	0,3	NO	15000	3,372	5,60	3.75



Standard packaging:
Rolls of 3,048 m (10 feet)

DOUBLE HINGE
INCREASED PIN HARDNESS
PITCH 1 ½" (38,1 mm)
THICKNESS 3 mm (0.118")
HINGE 80 mm (3.150")



Materials
see page 12



Sprockets
see pages 127÷130



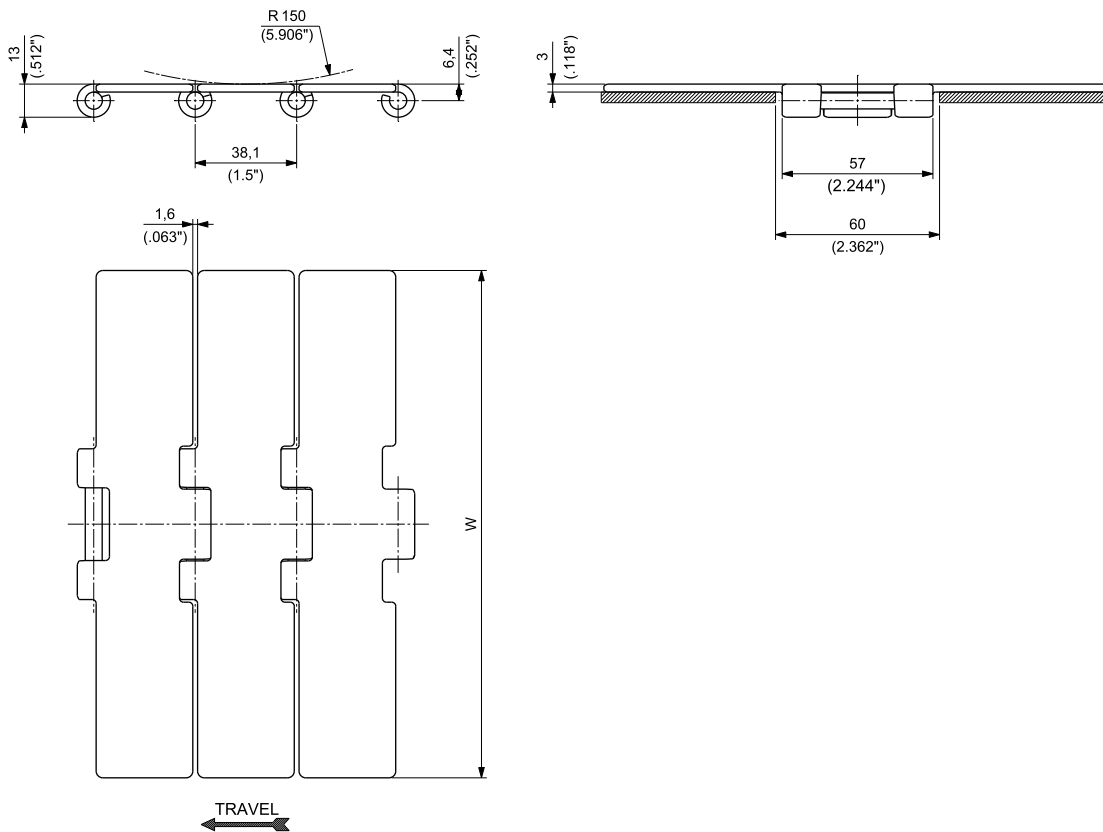
Applications
see page 20

MATERIALS		ITEM DESCRIPTION	PART NUMBER	WIDTH W		SURFACE FINISH Ra	POLISHED HINGES	YIELD LOAD AVERAGE		WEIGHT	
Plate	Pin			mm	inch			N	lbs	kg/m	lbs/ft
PRIMA P	HARDENED MARTENSITIC STAINLESS STEEL	PHD 2815 K 7 ½	PHD2815KL/000	190,5	7.50	0,3	NO	15000	3,372	5,60	3.75



Standard packaging:
Rolls of 3,048 m (10 feet)

HEAVY DUTY SINGLE HINGE
INCREASED PIN HARDNESS
PITCH 1 ½" (38,1 mm)
THICKNESS 3 mm (0.118")
HINGE 57 mm (2.244")



FliteTop



Materials
see page 12



Sprockets
see pages 131÷132



Applications
see page 20

MATERIALS		ITEM DESCRIPTION	PART NUMBER	WIDTH W		SURFACE FINISH Ra	POLISHED HINGES	YIELD LOAD AVERAGE		WEIGHT	
Plate	Pin			mm	inch			N	lbs	kg/m	lbs/ft
PRIMA P	HARDENED MARTENSITIC STAINLESS STEEL	PHD 9157 K 7 ½	PHD9157KL/000	190,5	7.50	0,3	NO	10500	2,360	5,28	3.55



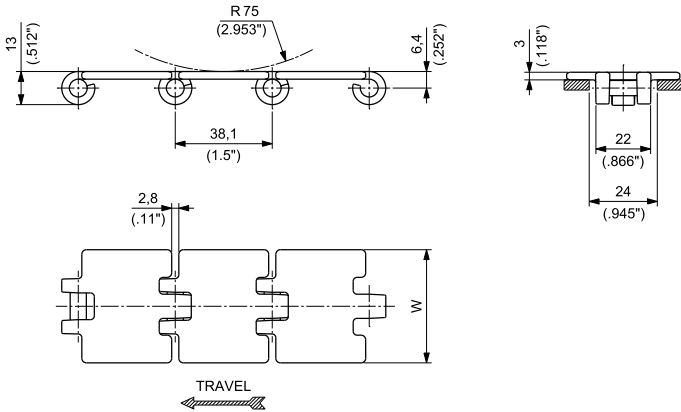
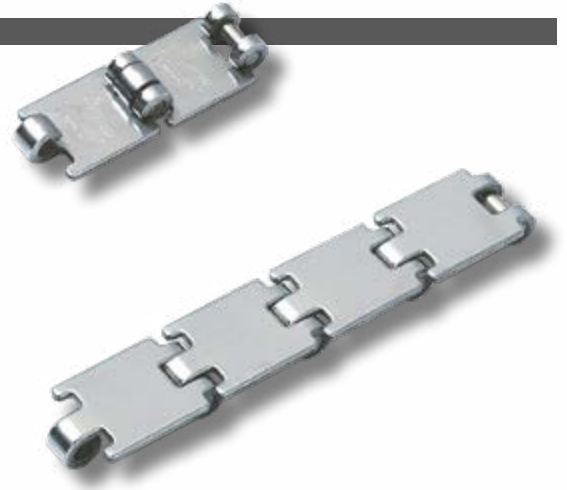
Standard packaging:
Rolls of 3,048 m (10 feet)

MINI HINGE

PITCH 1 1/2" (38,1 mm)

THICKNESS 3 mm (0.118")

HINGE 22 mm (0.866")



Materials
see page 12



Sprockets
see pages 133+134



Applications
see page 20

MATERIALS		ITEM DESCRIPTION	PART NUMBER	WIDTH W		SURFACE FINISH Ra	POLISHED HINGES	YIELD LOAD AVERAGE		WEIGHT	
Plate	Pin			mm	inch			N	lbs	kg/m	lbs/ft
PRIMA	AUSTENITIC STAINLESS STEEL	P 803 K 1 1/4	P803KPA/000	31,8	1.25	0,3	NO	4100	922	1,06	0.71
P		P 803 K 1 3/4	P803KFA/000	44,5	1.75	0,3	NO	4100	922	1,33	0.90



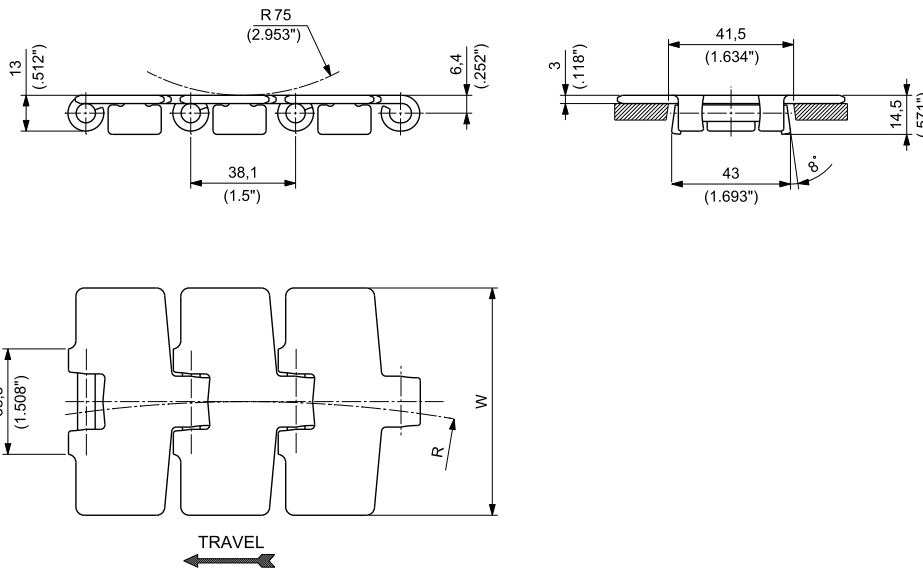
Standard packaging:
Rolls of 3,048 m (10 feet)

BEVEL

PITCH 1 1/2" (38,1 mm)

THICKNESS 3 mm (0.118")

HINGE 43 mm (1.693")



Materials
see page 12



Sprockets
see pages 134÷137



Corner tracks
see page 325



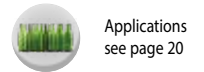
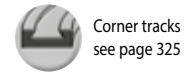
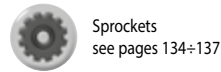
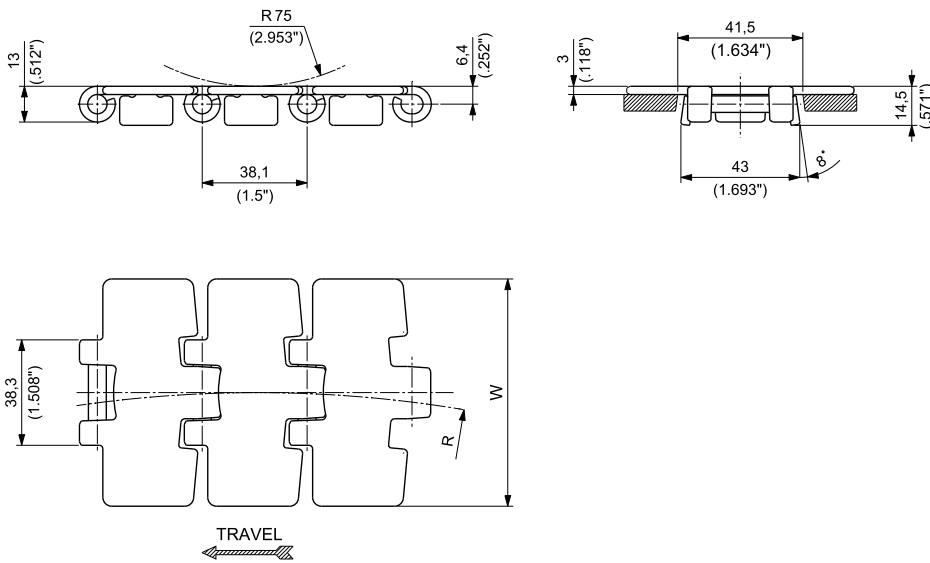
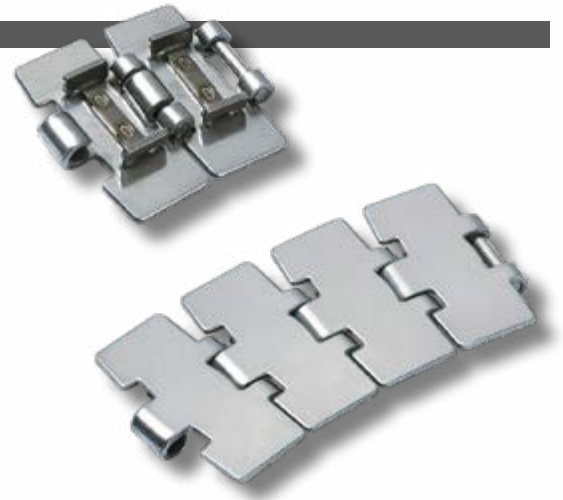
Applications
see page 20

MATERIALS		ITEM DESCRIPTION	PART NUMBER	WIDTH W		SURFACE FINISH Ra	POLISHED HINGES	SIDEFLEXING RADIUS		YIELD LOAD AVERAGE		WEIGHT	
Plate	Pin			mm	inch			mm	R inch	N	lbs	kg/m	lbs/ft
CARBON STEEL S	CASE HARDENED STEEL	S 881 K 3 1/4	S881KD/000	82,6	3.25	-	NO	457,2	18	11600	2,608	2,74	1.84
		S 881 K 4 1/2	S881KG/000	114,3	4.50	-	NO	609,6	24	11600	2,608	3,37	2.27
		S 881 K 7 1/2	S881KL/000	190,5	7.50	-	NO	609,6	24	11600	2,608	3,78	2.54
AUSTENITIC STAINLESS STEEL SS	AUSTENITIC STAINLESS STEEL	SS 881 K 3 1/4	SS881KD/000	82,6	3.25	0,3	NO	457,2	18	5600	1,259	2,76	1.85
		SS 881 K 4 1/2	SS881KG/000	114,3	4.50	0,3	NO	609,6	24	5600	1,259	3,40	2.29
		SS 881 K 7 1/2	SS881KL/000	190,5	7.50	0,3	NO	609,6	24	5600	1,259	4,82	3.24

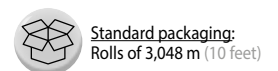


Standard packaging:
Rolls of 3,048 m (10 feet)

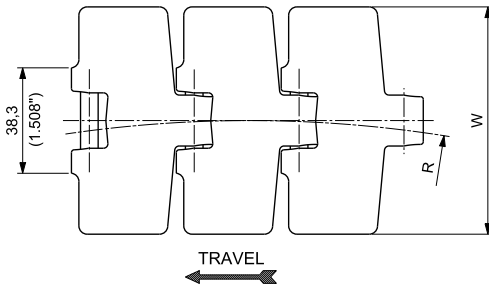
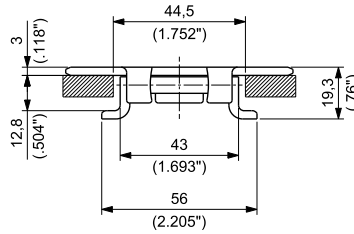
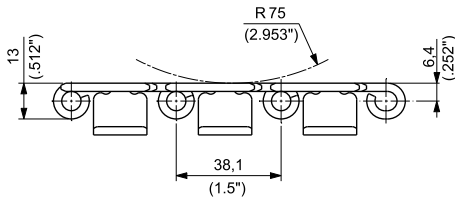
BEVEL
REDUCED PLATE GAP
PITCH 1 ½" (38,1 mm)
THICKNESS 3 mm (0.118")
HINGE 43 mm (1.693")



MATERIALS		ITEM DESCRIPTION	PART NUMBER	WIDTH W		SURFACE FINISH Ra	POLISHED HINGES	SIDEFLEXING RADIUS		YIELD LOAD AVERAGE		WEIGHT	
Plate	Pin			mm	inch			mm	R inch	N	lbs	kg/m	lbs/ft
PRIMA <div style="border: 1px solid black; padding: 2px; display: inline-block;">P</div> AUSTENITIC STAINLESS STEEL		P 981 K 3 ¼	P981KD/000	82,6	3.25	0,3	NO	457,2	18	8000	1,798	2,74	1.84
		P 981 K 83,8	P981KRA/000	83,8	3.30	0,3	NO	457,2	18	8000	1,798	2,77	1.86
		P 981 K 4 ½	P981KG/000	114,3	4.50	0,3	NO	609,6	24	8000	1,798	3,38	2.27
		P 981 K 7 ½	P981KL/000	190,5	7.50	0,3	NO	609,6	24	8000	1,798	4,82	3.24



TAB
PITCH 1 ½" (38,1 mm)
THICKNESS 3 mm (0.118")
HINGE 43 mm (1.693")



FliteTop



Materials
see page 12



Sprockets
see pages 134+139



Corner tracks
see page 320



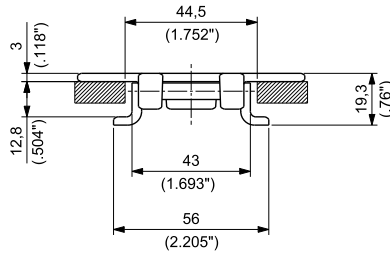
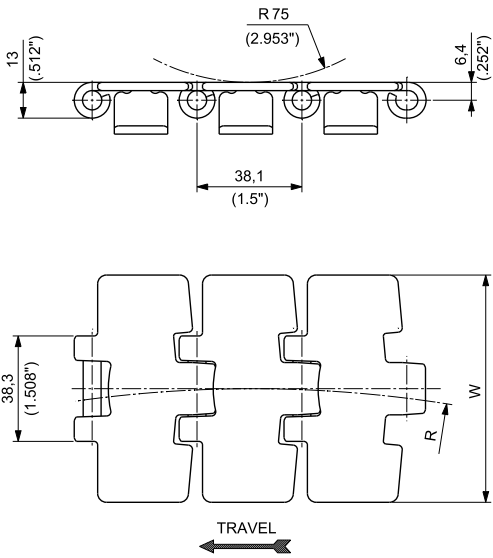
Applications
see page 20

MATERIALS		ITEM DESCRIPTION	PART NUMBER	WIDTH W		SURFACE FINISH Ra	POLISHED HINGES	SIDEFLEXING RADIUS		YIELD LOAD AVERAGE		WEIGHT	
Plate	Pin			mm	inch			mm	R inch	N	lbs	kg/m	lbs/ft
CARBON STEEL S	CASE HARDENED STEEL	S 881T K 3 ¼	S881TKD/000	82,6	3.25	-	NO	457,2	18	11600	2,608	2,96	1.99
		S 881T K 4 ½	S881TKG/000	114,3	4.50	-	NO	609,6	24	11600	2,608	3,60	2.42
		S 881T K 7 ½	S881TKL/000	190,5	7.50	-	NO	609,6	24	11600	2,608	5,01	3.36
AUSTENITIC STAINLESS STEEL SS	AUSTENITIC STAINLESS STEEL	SS 881T K 3 ¼	SS881TKD/000	82,6	3.25	0,3	NO	457,2	18	5600	1,259	2,99	2.01
		SS 881T K 4 ½	SS881TKG/000	114,3	4.50	0,3	NO	609,6	24	5600	1,259	3,63	2.44
		SS 881T K 7 ½	SS881TKL/000	190,5	7.50	0,3	NO	609,6	24	5600	1,259	5,05	3.39



Standard packaging:
Rolls of 3,048 m (10 feet)

TAB
REDUCED PLATE GAP
PITCH 1 ½" (38,1 mm)
THICKNESS 3 mm (0.118")
HINGE 43 mm (1.693")



Materials
see page 12



Sprockets
see pages 134+139



Corner tracks
see page 320



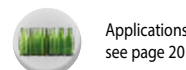
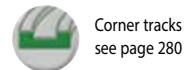
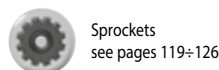
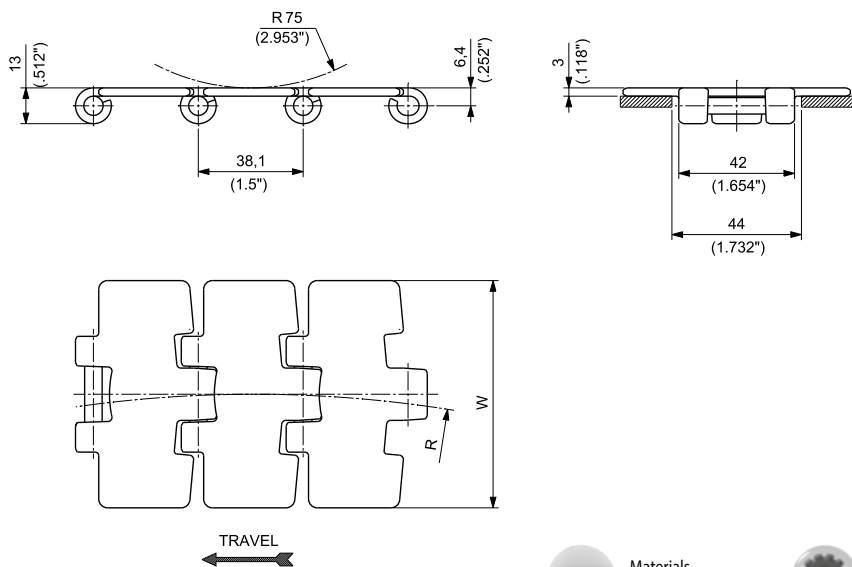
Applications
see page 20

MATERIALS		ITEM DESCRIPTION	PART NUMBER	WIDTH W		SURFACE FINISH Ra	POLISHED HINGES	SIDEFLEXING RADIUS		YIELD LOAD AVERAGE		WEIGHT	
Plate	Pin			mm	inch			mm R	inch R	N	lbs	kg/m	lbs/ft
PRIMA P	AUSTENITIC STAINLESS STEEL	P 981T K 3 ¼	P981TKD/000	82,6	3.25	0,3	NO	457,2	18	8000	1,798	2,97	2.00
		P 981T K 83,8	P981TKRA/000	83,8	3.30	0,3	NO	457,2	18	8000	1,798	2,99	2.01
		P 981T K 4 ½	P981TKG/000	114,3	4.50	0,3	NO	609,6	24	8000	1,798	3,61	2.43
		P 981T K 7 ½	P981TKL/000	190,5	7.50	0,3	NO	609,6	24	8000	1,798	5,05	3.40



Standard packaging:
Rolls of 3,048 m (10 feet)

**MAGNETIC
REDUCED PLATE GAP
INCREASED PIN HARDNESS (PHD 981M SERIES)
SPECIAL XPHD CHAINS FOR PRESSURELESS COMBINERS **NEW**
PITCH 1 ½" (38,1 mm)
THICKNESS 3 mm (0.118")
HINGE 42 mm (1.654")**

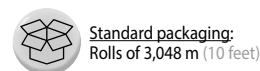


981M

MATERIALS		ITEM DESCRIPTION	PART NUMBER	WIDTH W		SURFACE FINISH Ra	POLISHED HINGES	SIDEFLEXING RADIUS R		YIELD LOAD AVERAGE		WEIGHT	
Plate	Pin			mm	inch			mm	inch	N	lbs	kg/m	lbs/ft
		SS 981M-4 K 3 ¼	SS981M4KD/000	82,6	3.25	0,3	YES	500	19.69	5400	1,214	2,43	1.63
FERRITIC STAINLESS STEEL	AUSTENITIC STAINLESS STEEL	SS 981M-4 K 83,8	SS981M4KRA/000	83,8	3.30	0,3	YES	500	19.69	5400	1,214	2,45	1.63
SS-4		SS 981M-4 K 4 ½	SS981M4KG/000	114,3	4.50	0,3	YES	500	19.69	5400	1,214	3,05	2.05
		SS 981M-4 K 7 ½	SS981M4KL/000	190,5	7.50	0,3	YES	500	19.69	5400	1,214	4,43	2.98
		P 981M K 3 ¼	P981MKD/000	82,6	3.25	0,3	YES	500	19.69	8500	1,911	2,44	1.64
PRIMA	AUSTENITIC STAINLESS STEEL	P 981M K 83,8	P981MKRA/000	83,8	3.30	0,3	YES	500	19.69	8500	1,911	2,47	1.66
P		P 981M K 4 ½	P981MKG/000	114,3	4.50	0,3	YES	500	19.69	8500	1,911	3,07	2.06
		P 981M K 7 ½	P981MKL/000	190,5	7.50	0,3	YES	500	19.69	8500	1,911	4,47	3.01

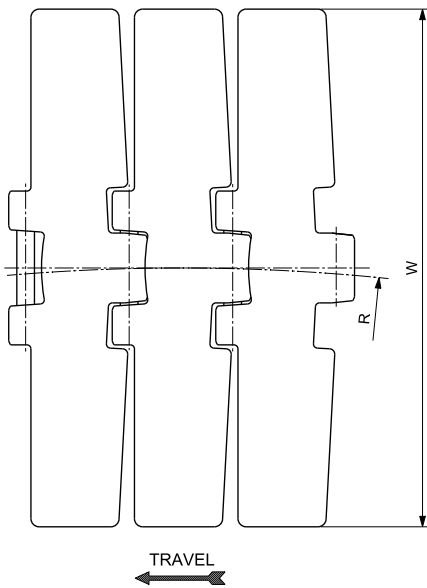
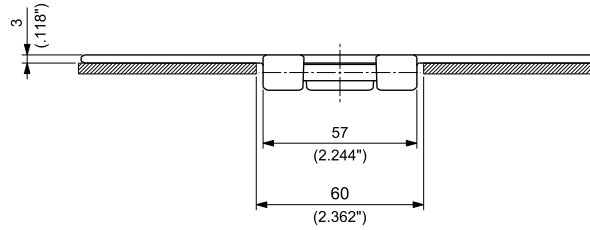
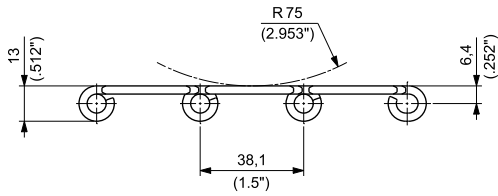
PHD 981M

MATERIALS		ITEM DESCRIPTION	PART NUMBER	WIDTH W		SURFACE FINISH Ra	POLISHED HINGES	SIDEFLEXING RADIUS R		YIELD LOAD AVERAGE		WEIGHT	
Plate	Pin			mm	inch			mm	inch	N	lbs	kg/m	lbs/ft
		NEW XPHD 981M K 3 ¼	XPHD981MKD/000	82,6	3.25	0,2	YES	500	19.69	8500	1,911	2,44	1.64
		NEW XPHD 981M K 83,8	XPHD981MKRA/000	83,8	3.30	0,2	YES	500	19.69	8500	1,911	2,47	1.66
PRIMA	HARDENED MARTENSITIC STAINLESS STEEL	PHD 981M K 4 ½	PHD981MKG/000	114,3	4.50	0,3	YES	500	19.69	8500	1,911	3,07	2.06
P		PHD 981M K 7 ½	PHD981MKL/000	190,5	7.50	0,3	YES	500	19.69	8500	1,911	4,47	3.01





MAGNETIC
HEAVY DUTY SINGLE HINGE
INCREASED PIN HARDNESS
PITCH 1 1/2" (38,1 mm)
THICKNESS 3 mm (0.118")
HINGE 57 mm (2.244")



Materials
see page 12



Sprockets
see pages 131÷132



Corner tracks
see page 280



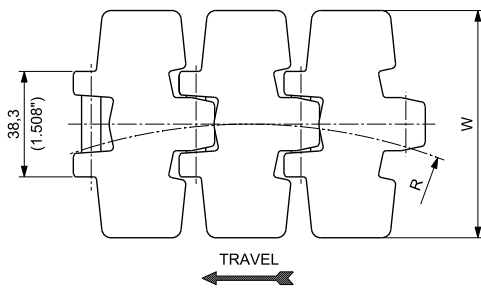
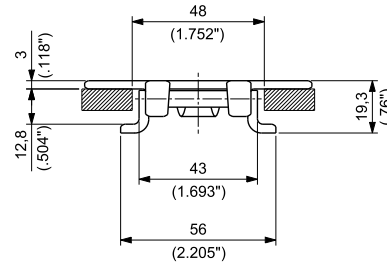
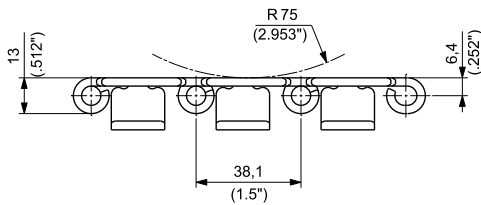
Applications
see page 20

MATERIALS		ITEM DESCRIPTION	PART NUMBER	WIDTH W		SURFACE FINISH Ra	POLISHED HINGES	SIDEFLEXING RADIUS		YIELD LOAD AVERAGE		WEIGHT	
Plate	Pin			mm	inch			mm R	inch	N	lbs	kg/m	lbs/ft
PRIMA P	HARDENED MARTENSITIC STAINLESS STEEL	PHD 9857M K 7 1/2	PHD9857MKL/000	190,5	7.50	0,3	YES	750	29.53	10500	2,360	4,97	3.34



Standard packaging:
Rolls of 3,048 m (10 feet)

TAB
REDUCED SIDEFLEXING RADIUS
PITCH 1 ½" (38,1 mm)
THICKNESS 3 mm (0.118")
HINGE 43 mm (1.693")



FliteTop



Materials see page 12



Sprockets see pages 134-139



Corner tracks see page 320



Applications see page 20

MATERIALS		ITEM DESCRIPTION	PART NUMBER	WIDTH W		SURFACE FINISH Ra	POLISHED HINGES	SIDEFLEXING RADIUS		YIELD LOAD AVERAGE		WEIGHT	
Plate	Pin			mm	inch			mm	R inch	N	lbs	kg/m	lbs/ft
AUSTENITIC STAINLESS STEEL	AUSTENITIC STAINLESS STEEL	SS 982T K 3 ¼	SS982TKD/000	82,6	3.25	0,3	NO	200	7.87	5000	1,125	3,00	2.02
SS													



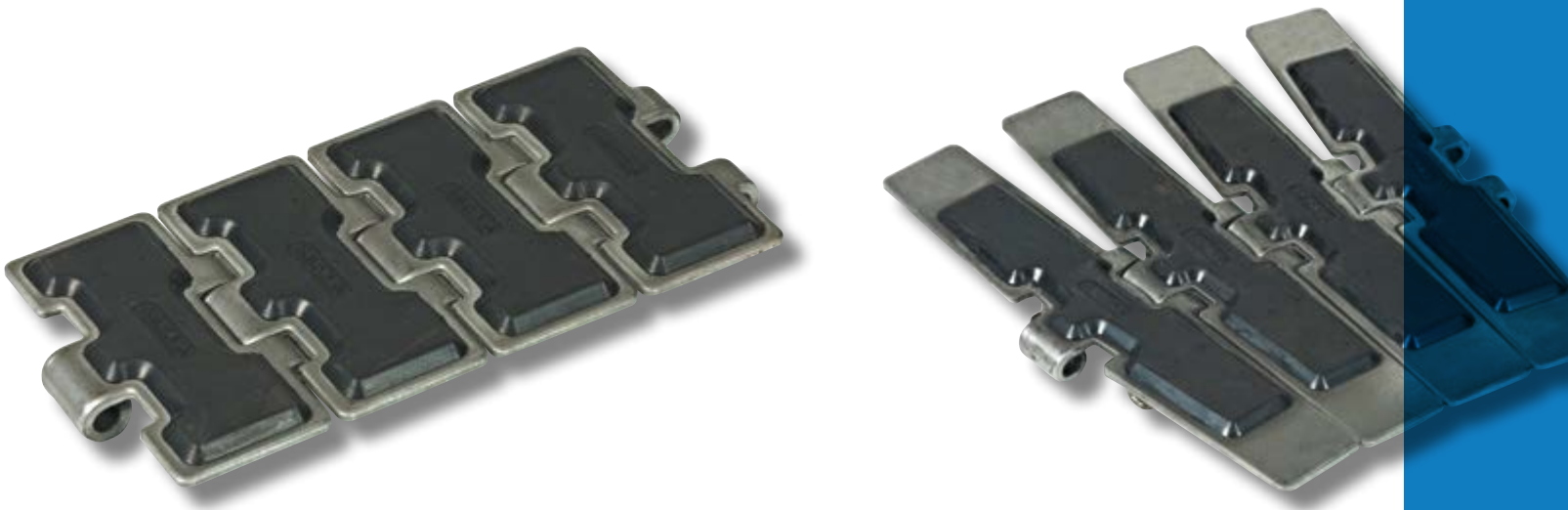
Standard packaging:
Rolls of 3,048 m (10 feet)



PERFORMANCE IN MOTION

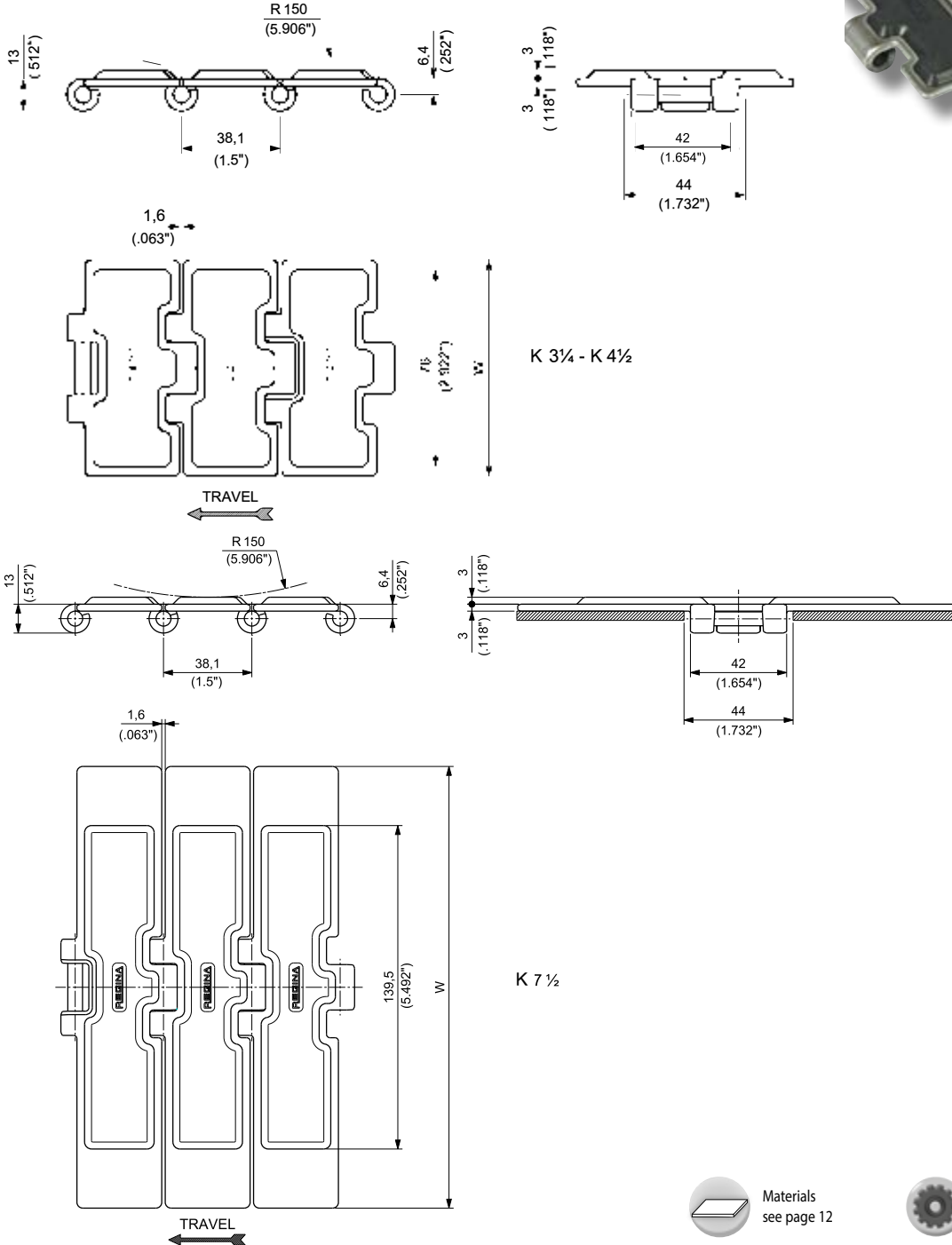
FliteTop[®]

Rubberized Surface
Steel Chains





SINGLE HINGE
PLATE GAP 1,6 mm
INCREASED PIN HARDNESS
PITCH 1 ½" (38,1 mm)
THICKNESS 3 mm (0.118")
HINGE 42 mm (1.654")



Materials
see page 12



Sprockets
see pages 119÷126



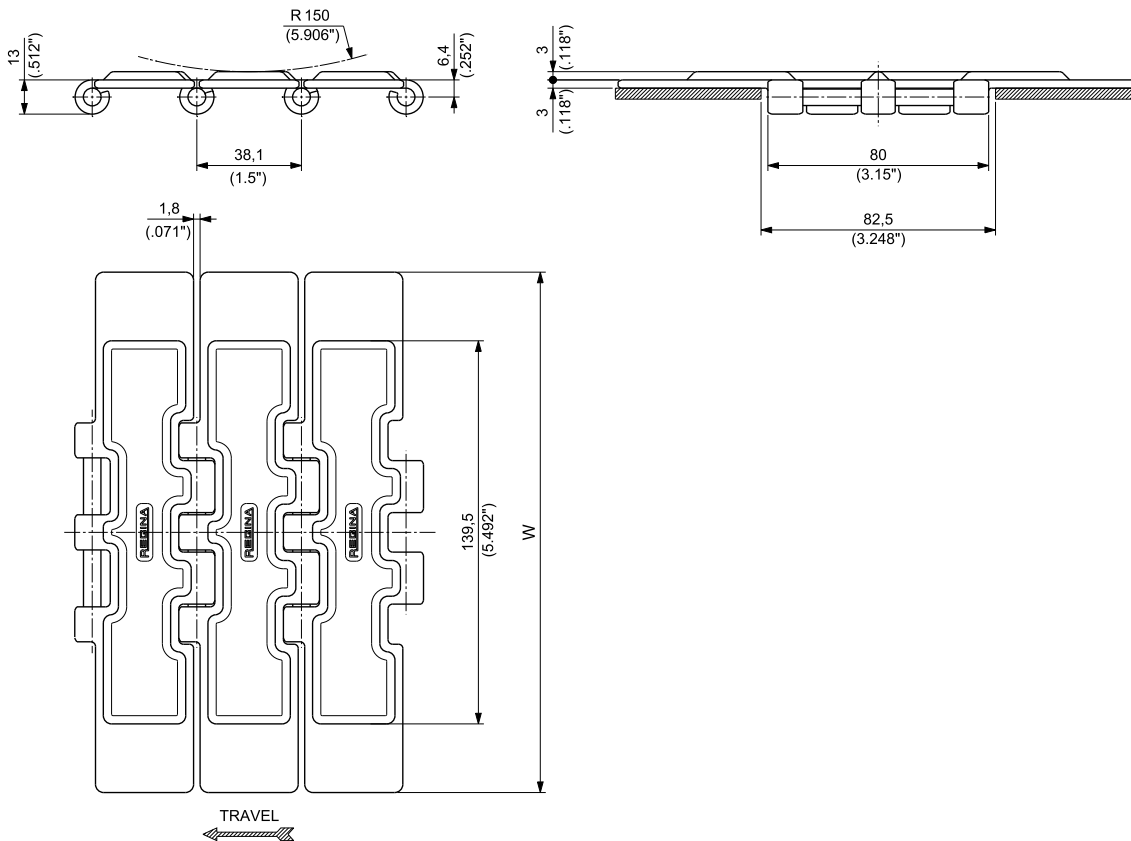
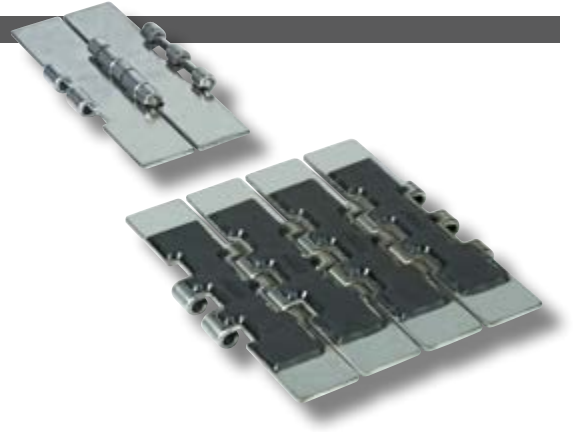
Applications
see page 20

MATERIALS			ITEM DESCRIPTION	PART NUMBER	WIDTH W		POLISHED HINGES	YIELD LOAD AVERAGE		WEIGHT	
Plate	Pin	Rubber			mm	inch		N	lbs	kg/m	lbs/ft
PRIMA	HARDENED MARTENSITIC STAINLESS STEEL	NBR Hardness: 70 ShA	PHDG 915 K 3 ¼	PHDG915KD/000	82,6	3.25	YES	8500	1,911	2,57	1.73
P			PHDG 915 K 4 ½	PHDG915KG/000	114,3	4.50	NO	8500	1,911	3,28	2.20
			PHDG 915 K 7 ½	PHDG915KL/000	190,5	7.50	NO	8500	1,911	4,99	3.35



Standard packaging:
Rolls of 3,048 m (10 feet)

DOUBLE HINGE
INCREASED PIN HARDNESS
PITCH 1 ½" (38,1 mm)
THICKNESS 3 mm (0.118")
HINGE 80 mm (3.150")



Materials
see page 12



Sprockets
see pages 127÷130



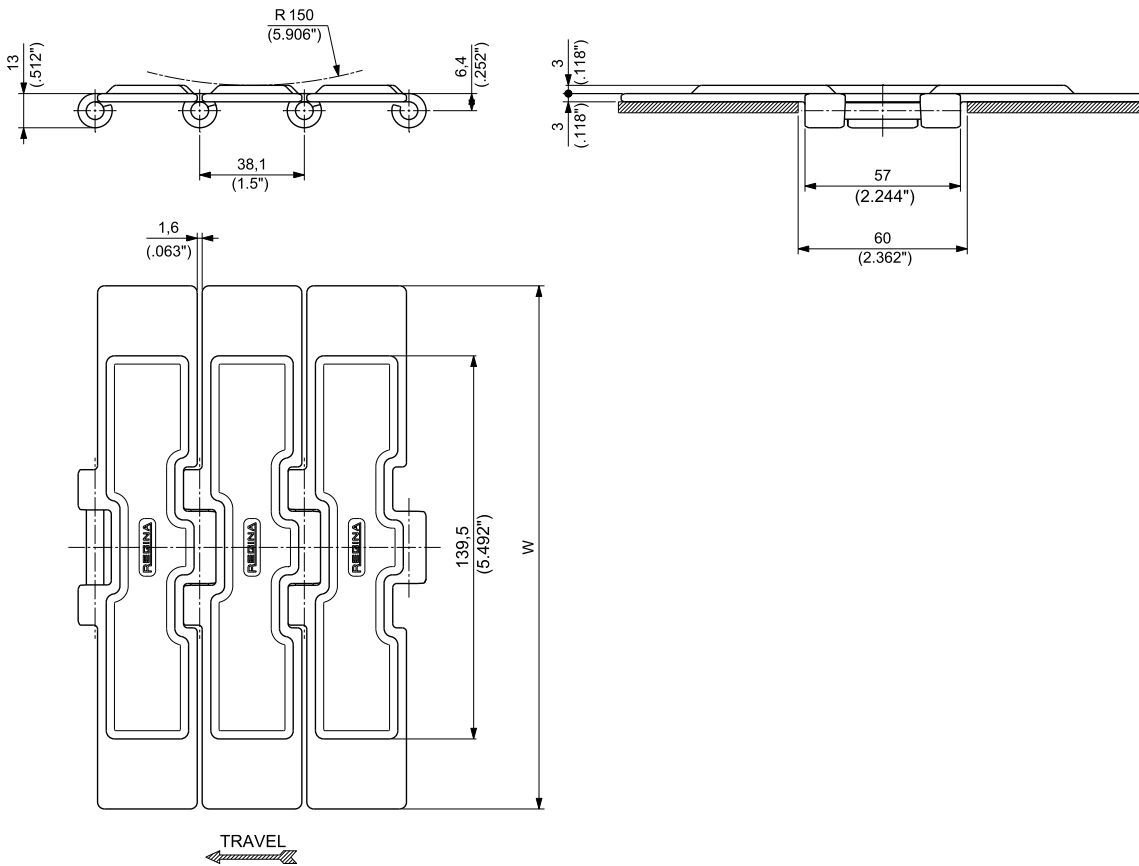
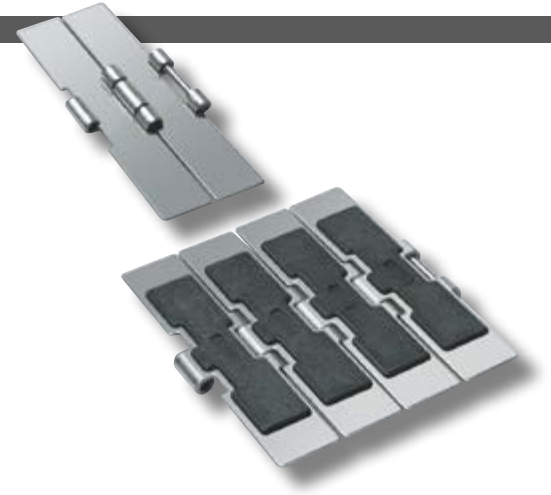
Applications
see page 20

MATERIALS			ITEM DESCRIPTION	PART NUMBER	WIDTH W		POLISHED HINGES	YIELD LOAD AVERAGE		WEIGHT	
Plate	Pin	Rubber			mm	inch		N	lbs	kg/m	lbs/ft
PRIMA P	HARDENED MARTENSITIC STAINLESS STEEL	NBR Hardness: 70 ShA	PHDG 2815 K 7 ½	PHDG2815KL/000	190,5	7.50	NO	15000	3,372	5,60	3.75



Standard packaging:
Rolls of 3,048 m (10 feet)

HEAVY DUTY SINGLE HINGE
INCREASED PIN HARDNESS
PITCH 1 ½" (38,1 mm)
THICKNESS 3 mm (0.118")
HINGE 57 mm (2.244")



FliteTop



Materials
see page 12



Sprockets
see pages 131÷132



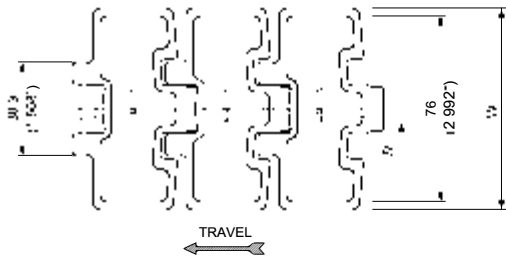
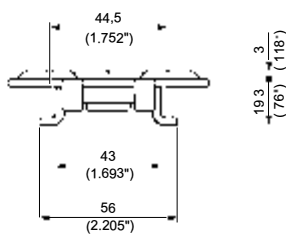
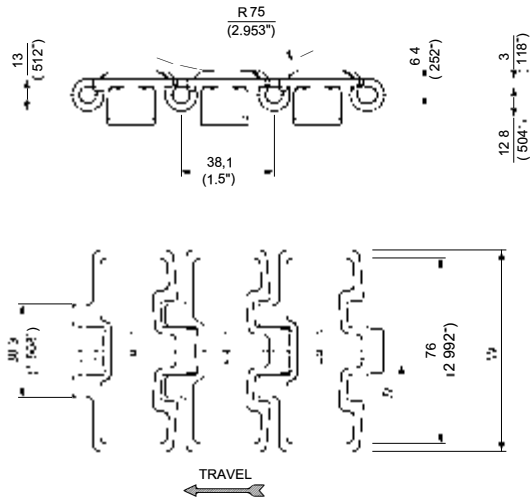
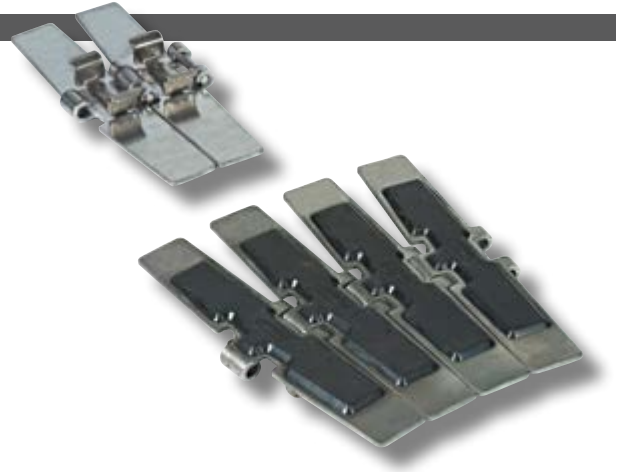
Applications
see page 20

MATERIALS			ITEM DESCRIPTION	PART NUMBER	WIDTH W		POLISHED HINGES	YIELD LOAD AVERAGE		WEIGHT	
Plate	Pin	Rubber			mm	inch		N	lbs	kg/m	lbs/ft
PRIMA P	HARDENED MARTENSITIC STAINLESS STEEL	NBR Hardness: 70 ShA	PHDG 9157 K 7 ½	PHDG9157KL/000	190,5	7.50	NO	10500	2,360	5,28	3.55

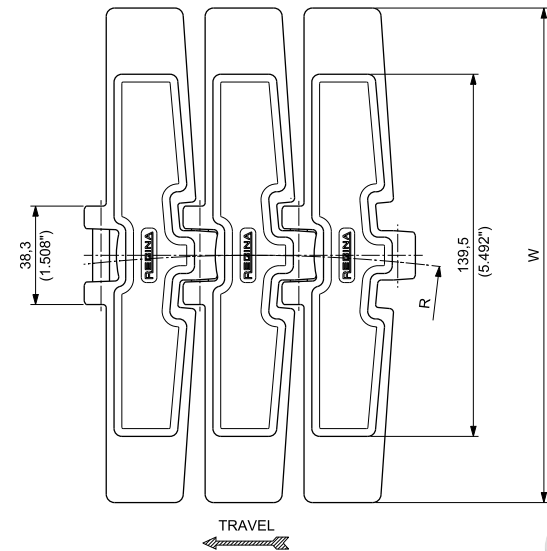
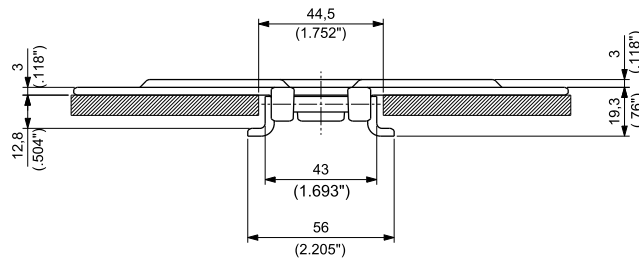
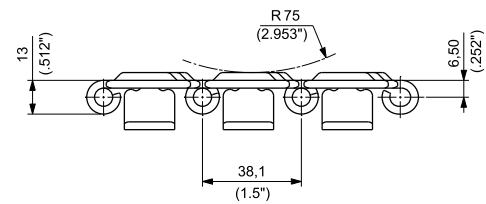


Standard packaging:
Rolls of 3,048 m (10 feet)

TAB
REDUCED PLATE GAP
INCREASED PIN HARDNESS
PITCH 1 ½" (38,1 mm)
THICKNESS 3 mm (0.118")
HINGE 43 mm (1.693")



K 3 ¼



K 7 ½



Materials
see page 12



Sprockets
see pages 134-137



Corner tracks
see page 320



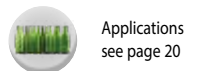
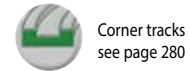
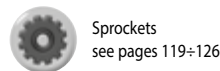
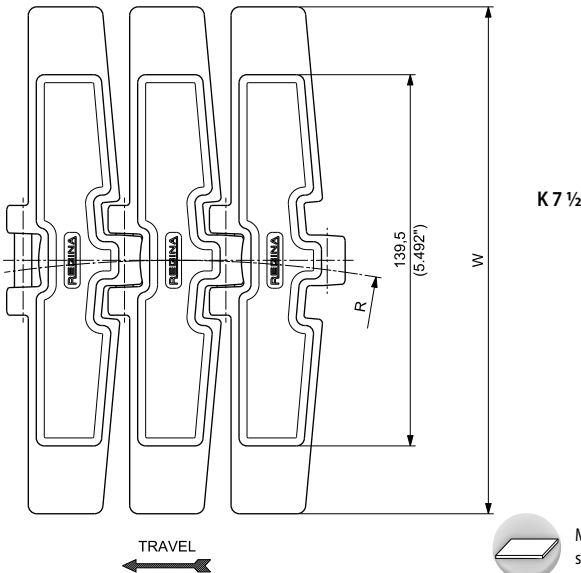
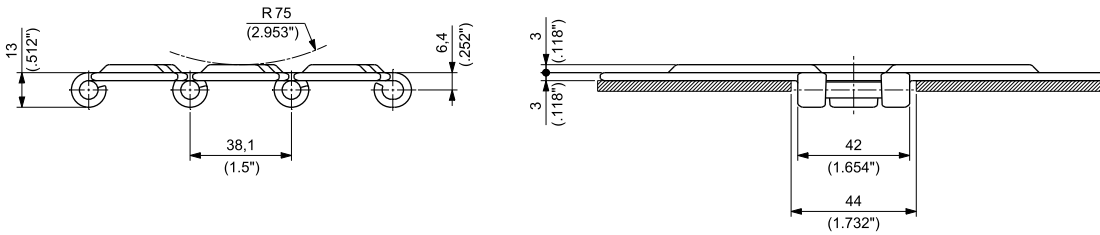
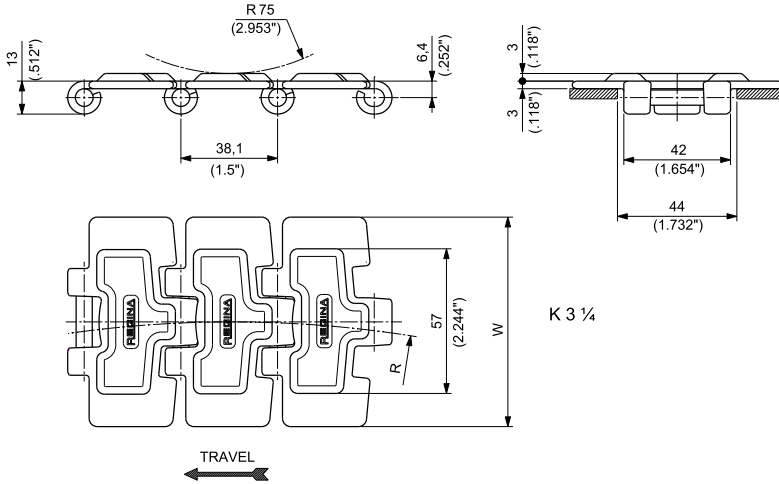
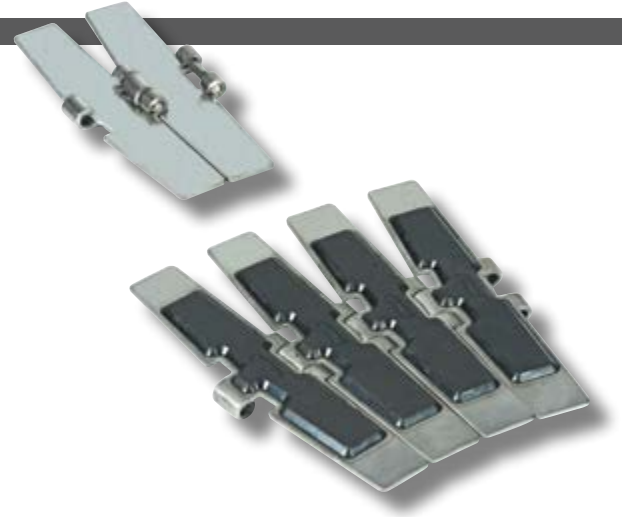
Applications
see page 20

MATERIALS			ITEM DESCRIPTION	PART NUMBER	WIDTH W		POLISHED HINGES	SIDEFLEXING RADIUS R		YIELD LOAD AVERAGE		WEIGHT	
Plate	Pin	Rubber			mm	inch		mm	inch	N	lbs	kg/m	lbs/ft
PRIMA	HARDENED MARTENSITIC	NBR	PHDG 981T K 3 ¼	PHDG981TKD/0000	82,6	3,25	NO	457,2	18	8000	1,798	2,97	2,00
P	STAINLESS STEEL	Hardness: 70 ShA	PHDG 981T K 7 ½	PHDG981TKL/000	190,5	7,50	NO	609,6	24	8000	1,798	5,06	3,40

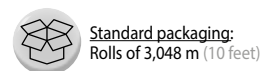


Standard packaging:
Rolls of 3,048 m (10 feet)

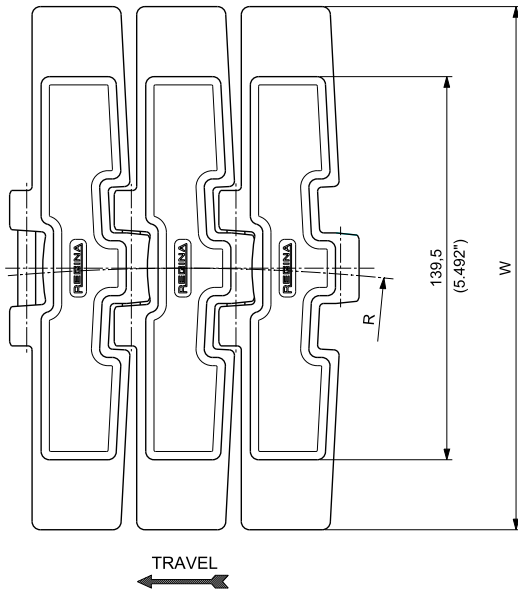
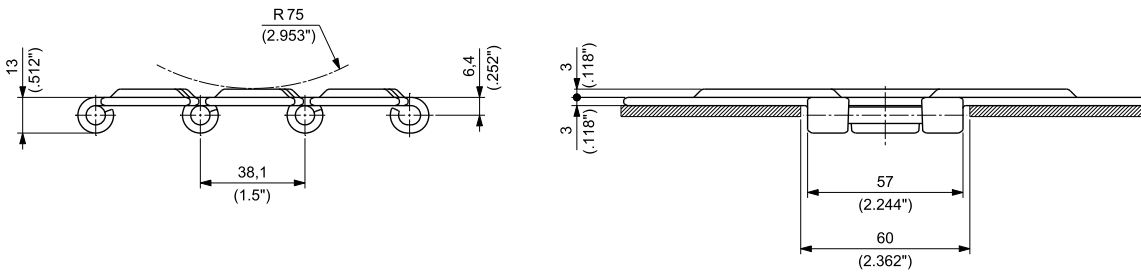
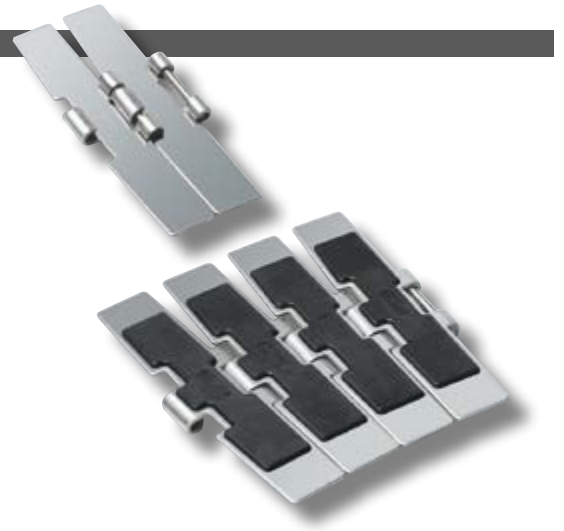
MAGNETIC
REDUCED PLATE GAP
INCREASED PIN HARDNESS
PITCH 1 1/2" (38,1 mm)
THICKNESS 3 mm (0.118")
HINGE 42 mm (1.654")



MATERIALS			ITEM DESCRIPTION	PART NUMBER	WIDTH W	POLISHED HINGES	SIDEFLEXING RADIUS R		YIELD LOAD AVERAGE		WEIGHT		
Plate	Pin	Rubber			mm	inch	mm	inch	N	lbs	kg/m	lbs/ft	
PRIMA	HARDENED MARTENSITIC STAINLESS STEEL	NBR Hardness: 70 ShA	PHDG 981M K 3 1/4	PHDG981MKD/000	82,6	3.25	YES	500	19,69	8500	1,911	2,45	1.65
P			PHDG 981M K 7 1/2	PHDG981MKL/000	190,5	7.50	YES	500	19,69	8500	1,911	4,47	3.01



**MAGNETIC
HEAVY DUTY SINGLE HINGE
INCREASED PIN HARDNESS
PITCH 1 ½" (38,1 mm)
THICKNESS 3 mm (0.118")
HINGE 57 mm (2.244")**



Materials
see page 12



Sprockets
see pages 131÷132



Corner tracks
see pages 280



Applications
see page 20

Plate	MATERIALS		ITEM DESCRIPTION	PART NUMBER	WIDTH W		POLISHED HINGES	SIDEFLEXING RADIUS R		YIELD LOAD AVERAGE		WEIGHT	
	Pin	Rubber			mm	inch		mm	inch	N	lbs	kg/m	lbs/ft
PRIMA P	HARDENED MARTENSITIC STAINLESS STEEL	NBR Hardness: 70 ShA	PHDG 9857M K 7 ½	PHDG9857MKL/000	190,5	7.50	YES	750	29,53	10500	2,360	4,97	3.34

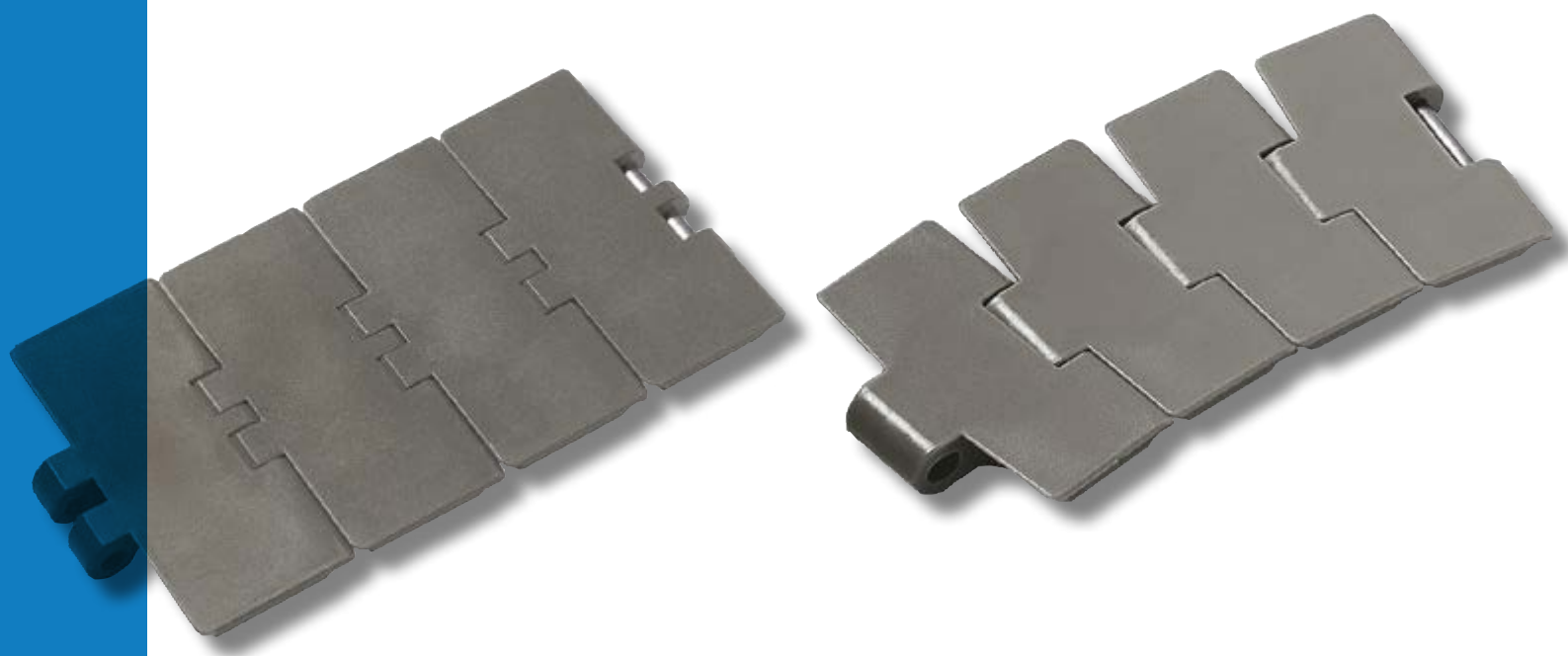


Standard packaging:
Rolls of 3,048 m (10 feet)



PERFORMANCE IN MOTION

FliteTop[®] Plastic Chains



INDUSTRIES AND APPLICATIONS

PLASTIC CHAINS

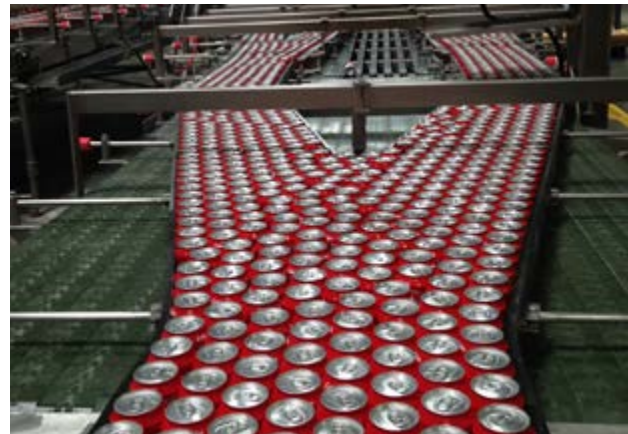
Suitable for handling plastic and glass bottles, aluminum and steel cans. These products can be loose or packaged.

INDUSTRIES

Bottling and canning
 Food filling
 Container manufacturing
 Pharmaceutical
 Paper/cardboard
 Glass manufacturing
 Consumer goods

APPLICATIONS

Depalletizer
 Pressureless Inliners and Combiners
 Single lane and Mass conveyors
 Accumulation tables
 Infeed / outfeed packaging machines
 Packaged product convey



FEATURES

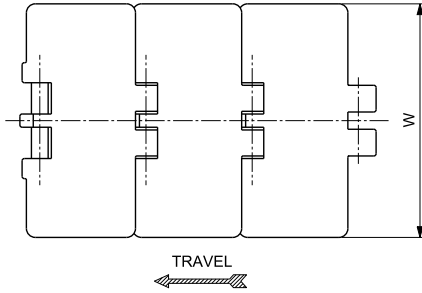
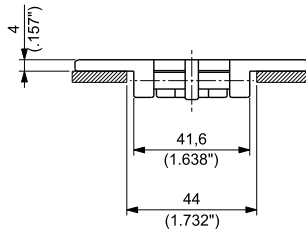
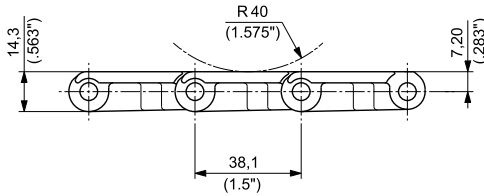
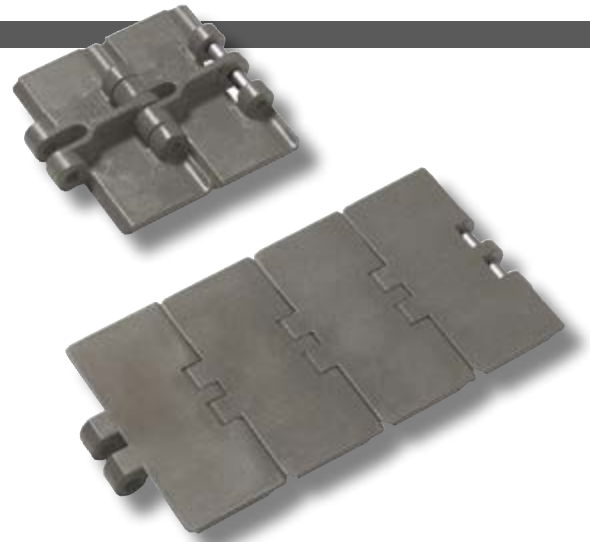
- Highest standard of flatness thanks to the outperforming moulding process.
- Complete range of materials available, specifically defined for each type of application.
- **DL2** material available, developed with DuPont® with Kevlar® fiber inside.
 Lower Friction and maximum wear resistance are the superior properties of this material, allowing greater chain life, cost saving and environmental protection.
- **e-FAST** material available, developed with DuPont®.
 Capable of exceeding such standards, thanks to its unique characteristic of delivering a much lower and constant coefficient of friction over time in dry or almost dry running conditions vs. other plastic chains.
- Equipped with austenitic stainless steel pins (except for the magnetic chain) to achieve the maximum corrosion resistance.

SINGLE HINGE

PITCH 1 1/2" (38,1 mm)

THICKNESS 4 mm (0.157")

HINGE 41,6 mm (1.638")



Materials
see page 12



Sprockets
see pages 140-143



Applications
see page 20

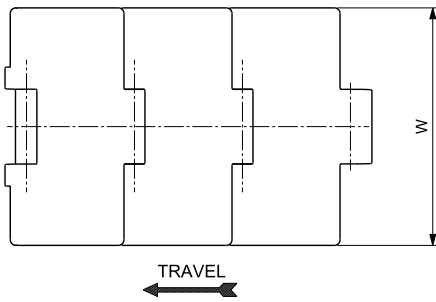
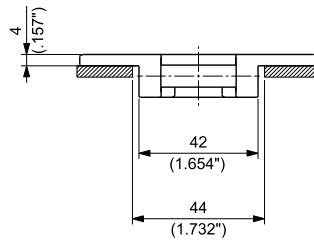
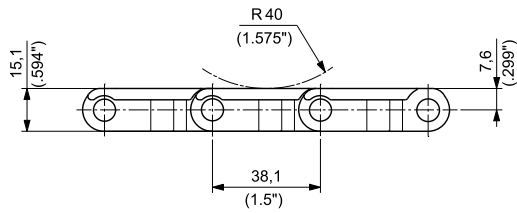
MATERIALS		ITEM DESCRIPTION	PART NUMBER	WIDTH W		PLATE THICKNESS		WORKING LOAD (25°C/77°F)		WEIGHT	
Plate	Pin			mm	inch	mm	inch	N	lbs	kg/m	lbs/ft
ULTRA PERFORMANCE HOMOPOLYMER DELRIN® UP	AUSTENITIC STAINLESS STEEL	UP 820 K 3 1/4	UP820KD/000	82,6	3.25	4,0	0.16	1600	360	0,87	0.58
		UP 820 K 83,8	UP820KRA/000	83,8	3.30	4,0	0.16	1600	360	0,88	0.59
		UP 820 K 4	UP820KF/000	101,6	4.00	4,0	0.16	1600	360	0,95	0.64
		UP 820 K 4 1/2	UP820KG/000	114,3	4.50	4,0	0.16	1600	360	1,03	0.69
		UP 820 K 6	UP820KH/000	152,4	6.00	4,0	0.16	1600	360	1,25	0.84
		UP 820 K 7 1/2	UP820KL/000	190,5	7.50	4,0	0.16	1600	360	1,35	0.90
SPECIAL DELRIN® REINFORCED WITH KEVLAR® DK2	AUSTENITIC STAINLESS STEEL	D2K 820 K 3 1/4	D2K820KD/000	82,6	3.25	4,0	0.16	1600	360	0,85	0.57
		D2K 820 K 83,8	D2K820KRA/000	83,8	3.30	4,0	0.16	1600	360	0,86	0.58
		D2K 820 K 4 1/2	D2K820KG/000	114,3	4.50	4,0	0.16	1600	360	1,00	0.67
		D2K 820 K 7 1/2	D2K820KL/000	190,5	7.50	4,0	0.16	1600	360	1,36	0.90
ECOLOGICAL FRICTION ABATING THERMOPLASTIC e-FAST	AUSTENITIC STAINLESS STEEL	EF 820 K 3 1/4	EF820KD/000	82,6	3.25	4,0	0.16	1600	360	0,85	0.57
		EF 820 K 83,8	EF820KRA/000	83,8	3.30	4,0	0.16	1600	360	0,86	0.58
		EF 820 K 4 1/2	EF820KG/000	114,3	4.50	4,0	0.16	1600	360	1,00	0.67
ABRASION RESISTANT POLYAMIDE ⁽¹⁾ AR	AUSTENITIC STAINLESS STEEL	AR 820 K 3 1/4	AR820KD/000	82,6	3.25	4,0	0.16	1600	360	0,85	0.57
		AR 820 K 4 1/2	AR820KG/000	114,3	4.50	4,0	0.16	1600	360	0,98	0.66

⁽¹⁾ ACTUAL WIDTH CAN BE UP TO 0,5% GREATER THAN NOMINAL WIDTH



Standard packaging:
Rolls of 3,048 m (10 feet)

REINFORCED SINGLE HINGE
REDUCED PLATE GAP
PITCH 1 ½" (38,1 mm)
THICKNESS 4 mm (0.157")
HINGE 42 mm (1.654")



Materials
see page 12



Sprockets
see pages 146÷147



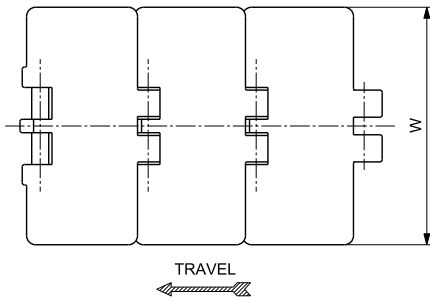
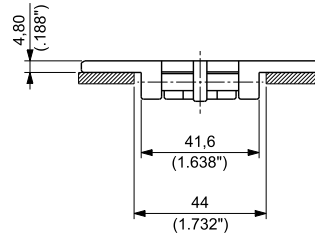
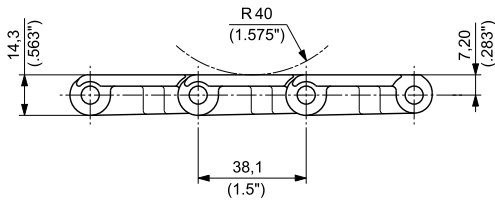
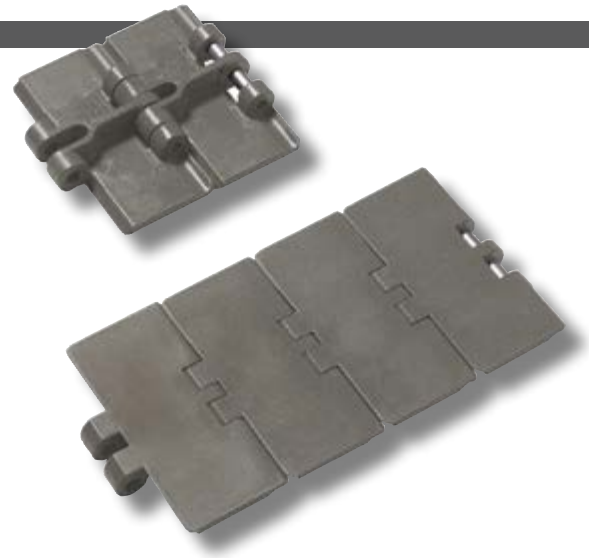
Applications
see page 20

MATERIALS		ITEM DESCRIPTION	PART NUMBER	WIDTH W		PLATE THICKNESS		WORKING LOAD (25°C/77°F)		WEIGHT	
Plate	Pin			mm	inch	mm	inch	N	lbs	kg/m	lbs/ft
ULTRA PERFORMANCE HOMOPOLYMER DELRIN® STAINLESS STEEL UP		UP 828 K 3 ¼	UP828KD/000	82,6	3.25	4,0	0.16	2000	450	1,01	0.68
		UP 828 K 83,8	UP828KRA/000	83,8	3.30	4,0	0.16	2000	450	1,02	0.69
		UP 828 K 4 ½	UP828KG/000	114,3	4.50	4,0	0.16	2000	450	1,18	0.79
SPECIAL DELRIN® REINFORCED WITH KEVLAR® DK2™ STAINLESS STEEL		D2K 828 K 3 ¼	D2K828KD/000	82,6	3.25	4,0	0.16	2000	450	1,01	0.68
		D2K 828 K 83,8	D2K828KRA/000	83,8	3.30	4,0	0.16	2000	450	1,02	0.69
		D2K 828 K 4 ½	D2K828KG/000	114,3	4.50	4,0	0.16	2000	450	1,18	0.79
NEW ECOLOGICAL FRICTION ABATING THERMOPLASTIC E-F.A.S.T. STAINLESS STEEL		EF 828 K 3 ¼	EF828KD/000	82,6	3.25	4,0	0.16	2000	450	1,01	0.68
		EF 828 K 83,8	EF828KRA/000	83,8	3.30	4,0	0.16	2000	450	1,02	0.69
		EF 828 K 4 ½	EF828KG/000	114,3	4.50	4,0	0.16	2000	450	1,18	0.79
ABRASION RESISTANT POLYAMIDE AR STAINLESS STEEL		AR 828 K 3 ¼	AR828KD/000	82,6	3.25	4,0	0.16	2000	450	0,98	0.66
		AR 828 K 4 ½	AR828KG/000	114,3	4.50	4,0	0.16	2000	450	1,12	0.75



Standard packaging:
Rolls of 3,048 m (10 feet)

SINGLE HINGE
REINFORCED TOP PLATE
PITCH 1 ½" (38,1 mm)
THICKNESS 4,8 mm (0.189")
HINGE 41,6 mm (1.638")



Materials
see page 12



Sprockets
see pages 140÷143



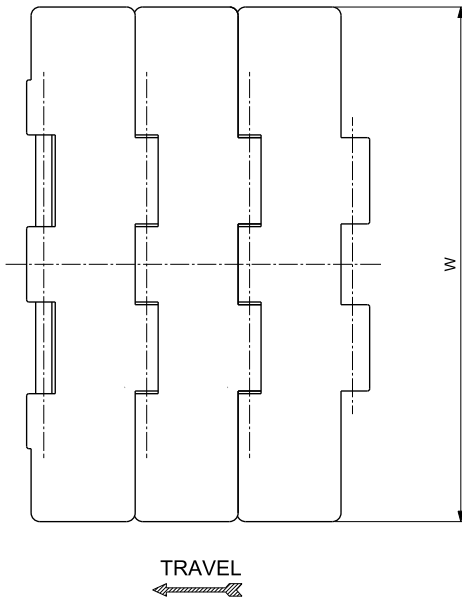
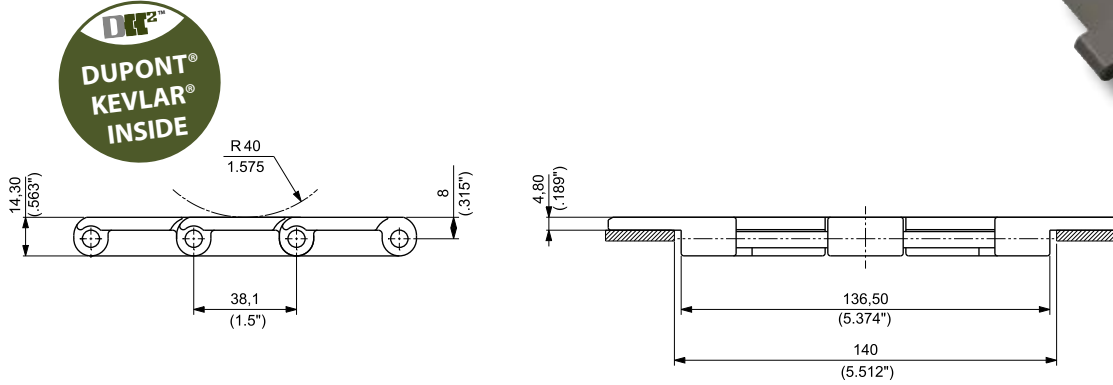
Applications
see page 20

MATERIALS		ITEM DESCRIPTION	PART NUMBER	WIDTH W		PLATE THICKNESS		WORKING LOAD (25°C/77°F)		WEIGHT	
Plate	Pin			mm	inch	mm	inch	N	lbs	kg/m	lbs/ft
ULTRA PERFORMANCE HOMOPOLYMER DELRIN® UP	AUSTENITIC STAINLESS STEEL	UP 831 K 3 ¼	UP831KD/000	82,6	3.25	4,8	0.19	1600	360	0,90	0.60
		UP 831 K 83,8	UP831KRA/000	83,8	3.30	4,8	0.19	1600	360	0,91	0.61
		UP 831 K 4 ½	UP831KG/000	114,3	4.50	4,8	0.19	1600	360	1,09	0.73
		UP 831 K 7 ½	UP831KL/000	190,5	7.50	4,8	0.19	1600	360	1,51	1.01
SPECIAL DELRIN® REINFORCED WITH KEVLAR® DK2	AUSTENITIC STAINLESS STEEL	D2K 831 K 3 ¼	D2K831KD/000	82,6	3.25	4,8	0.19	1600	360	0,88	0.59
		D2K 831 K 83,8	D2K831KRA/000	83,8	3.30	4,8	0.19	1600	360	0,89	0.60
		D2K 831 K 4 ½	D2K831KG/000	114,3	4.50	4,8	0.19	1600	360	1,06	0.72
		D2K 831 K 7 ½	D2K831KL/000	190,5	7.50	4,8	0.19	1600	360	1,33	0.90



Standard packaging:
Rolls of 3,048 m (10 feet)

DOUBLE HINGE
REINFORCED TOP PLATE
PITCH 1 ½" (38,1 mm)
THICKNESS 4,8 mm (0.189")
HINGE 136,5 mm (5.374")



Materials
see page 12



Sprockets
see pages 144÷145



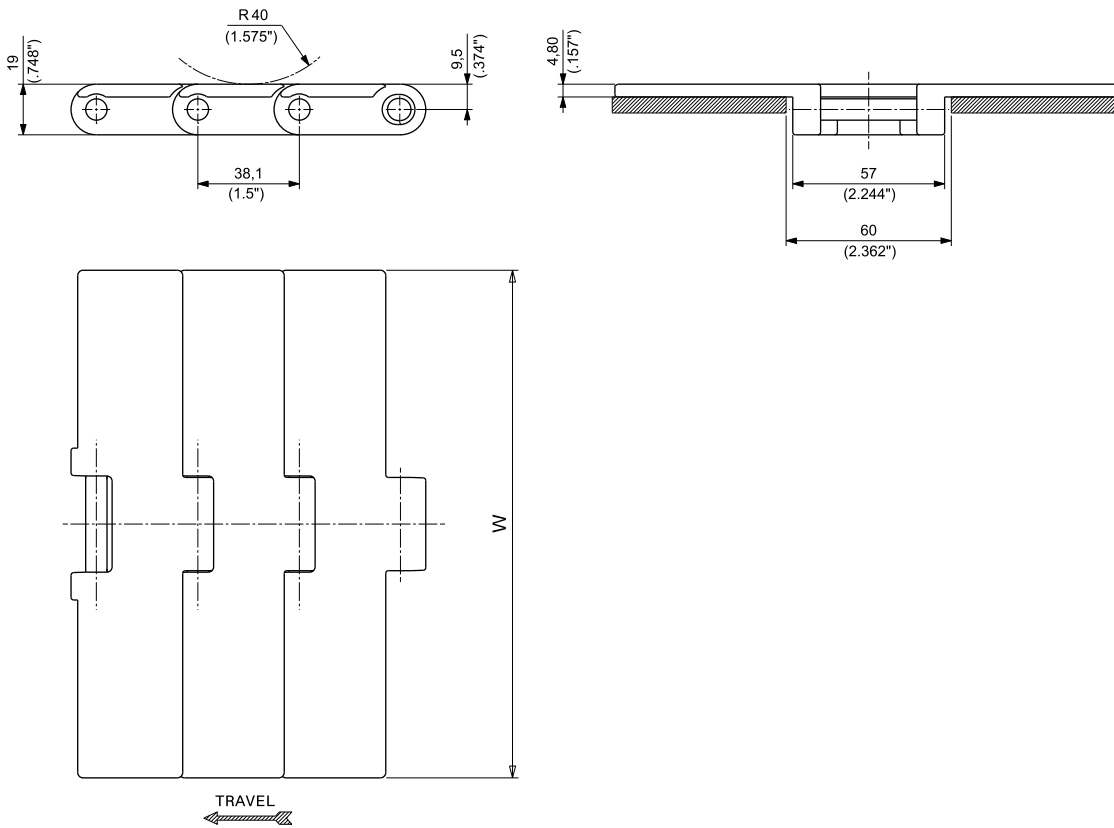
Applications
see page 20

MATERIALS		ITEM DESCRIPTION	PART NUMBER	WIDTH W		PLATE THICKNESS		WORKING LOAD (25°C/77°F)		WEIGHT	
Plate	Pin			mm	inch	mm	inch	N	lbs	kg/m	lbs/ft
		UP 821 K 7 ½	UP821KL/000	190,5	7.50	4,8	0.19	2750	618	2,48	1.67
ULTRA PERFORMANCE HOMOPOLYMER DELRIN® UP	AUSTENITIC STAINLESS STEEL	UP 821 K 10	UP821KM/000	254,0	10.00	4,8	0.19	2750	618	2,86	1.92
		UP 821 K 12	UP821KN/000	304,8	12.00	4,8	0.19	2750	618	3,16	2.12
SPECIAL DELRIN® REINFORCED WITH KEVLAR® DK2	AUSTENITIC STAINLESS STEEL	D2K 821 K 7 ½	D2K821KL/000	190,5	7.50	4,8	0.19	2750	618	2,47	1.66



Standard packaging:
Rolls of 3,048 m (10 feet)

HEAVY DUTY SINGLE HINGE
REINFORCED TOP PLATE
PITCH 1 ½" (38,1 mm)
THICKNESS 4,8 mm (0.189")
HINGE 57 mm (2.244")



FliteTop



Materials
see page 12



Sprockets
see pages 149÷150



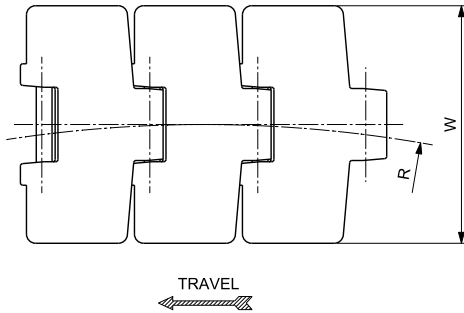
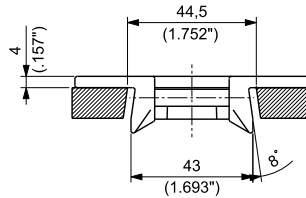
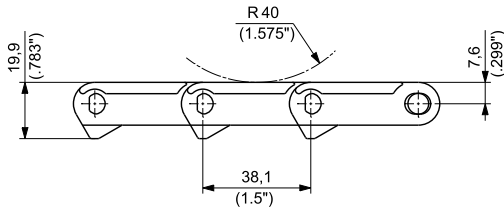
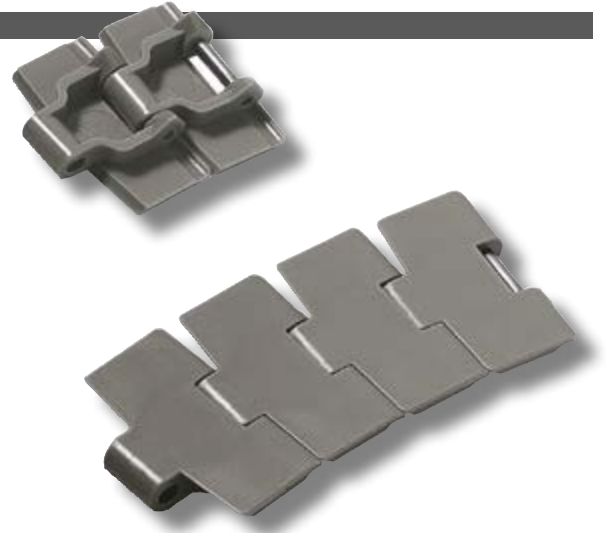
Applications
see page 20

MATERIALS		ITEM DESCRIPTION	PART NUMBER	WIDTH W		PLATE THICKNESS		WORKING LOAD (25°C/77°F)		WEIGHT	
Plate	Pin			mm	inch	mm	inch	N	lbs	kg/m	lbs/ft
ULTRA PERFORMANCE HOMOPOLYMER DELRIN® UP	AUSTENITIC STAINLESS STEEL	UP 8257 K 7 ½	UP8257KL/000	190,5	7.50	4,8	0.19	3910	879	2,35	1.58
		UP 8257 K 10	UP8257KM/000	254,0	10.00	4,8	0.19	3910	879	2,74	1.84
		UP 8257 K 12	UP8257KN/000	304,8	12.00	4,8	0.19	3910	879	3,06	2.06



Standard packaging:
Rolls of 3,048 m (10 feet)

BEVEL
PITCH 1 ½" (38,1 mm)
THICKNESS 4 mm (0.157")
HINGE 43 mm (1.693")



Materials
see page 12



Sprockets
see pages 146÷147



Corner tracks
see page 320



Applications
see page 20

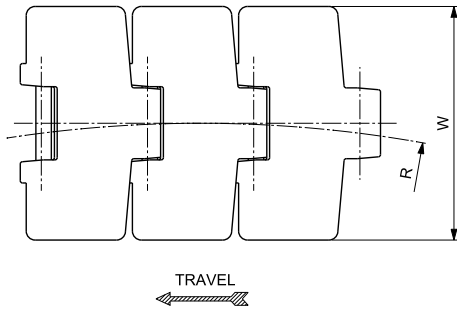
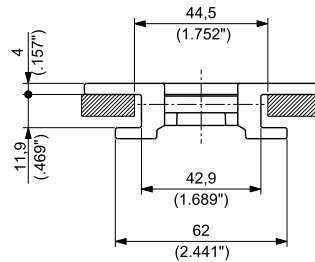
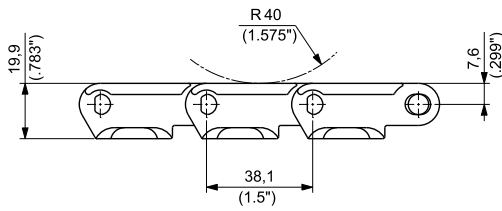
MATERIALS		ITEM DESCRIPTION	PART NUMBER	WIDTH W		PLATE THICKNESS		SIDEFLEXING RADIUS		WORKING LOAD (25°C/77°F)		WEIGHT	
Plate	Pin			mm	inch	mm	inch	mm	inch	N	lbs	kg/m	lbs/ft
ULTRA PERFORMANCE HOMOPOLYMER DELRIN® UP	AUSTENITIC STAINLESS STEEL	UP 880 K 3 ¼	UP880KD/000	82,6	3.25	4,0	0.16	457,2	18.00	2000	450	0,90	0.61
		UP 880 K 4 ½	UP880KG/000	114,3	4.50	4,0	0.16	500,0	19.69	2000	450	1.06	0.71
ABRASION RESISTANT POLYAMIDE ⁽¹⁾ AR	AUSTENITIC STAINLESS STEEL	AR 880 K 3 ¼	AR880KD/000	82,6	3.25	4,0	0.16	457,2	18.00	2000	450	0,76	0.51
		AR 880 K 4 ½	AR880KG/000	114,3	4.50	4,0	0.16	500,0	19.69	2000	450	1,04	0.70

⁽¹⁾ ACTUAL WIDTH CAN BE UP TO 0,5% GREATER THAN NOMINAL WIDTH



Standard packaging:
Rolls of 3,048 m (10 feet)

TAB
PITCH 1 ½" (38,1 mm)
THICKNESS 4 mm (0.157")
HINGE 42,9 mm (1.689")



Materials
see page 12



Sprockets
see pages 146÷148



Corner tracks
see page 320



Applications
see page 20

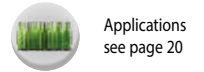
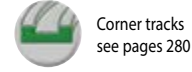
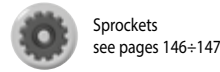
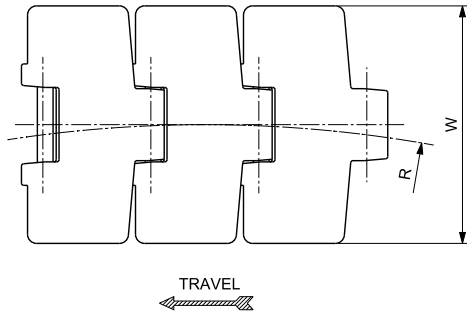
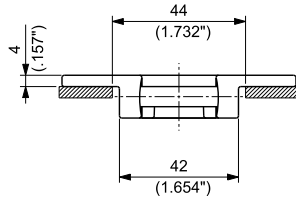
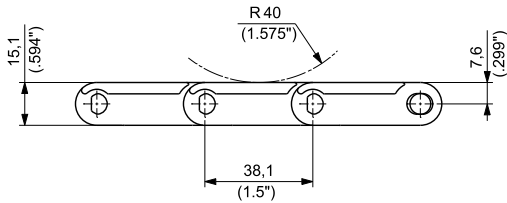
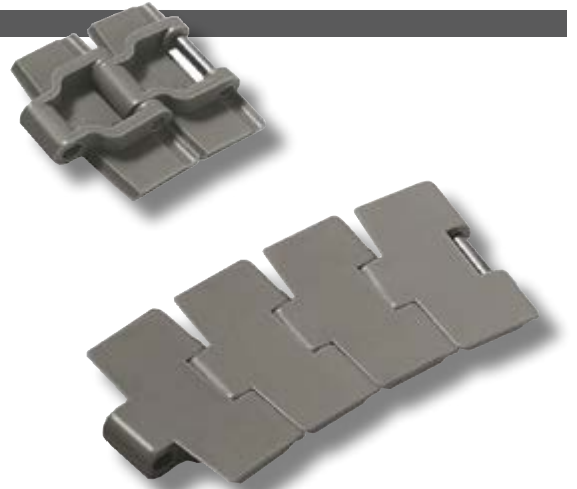
MATERIALS		ITEM DESCRIPTION	PART NUMBER	WIDTH W		PLATE THICKNESS		SIDEFLEXING RADIUS		WORKING LOAD (25°C/77°F)		WEIGHT	
Plate	Pin			mm	inch	mm	inch	mm ^R	inch	N	lbs	kg/m	lbs/ft
ULTRA PERFORMANCE HOMOPOLYMER DELRIN® UP	AUSTENITIC STAINLESS STEEL	UP 880T K 3 ¼	UP880TKD/000	82,6	3.25	4,0	0.16	457,2	18.00	2000	450	1,05	0.71
		UP 880T K 83,8	UP880TKRA/000	83,8	3.30	4,0	0.16	457,2	18.00	2000	450	1,06	0.71
		UP 880T K 4 ½	UP880TKG/000	114,3	4.50	4,0	0.16	500,0	19.69	2000	450	1,24	0.83
SPECIAL DELRIN® REINFORCED WITH KEVLAR® DK2	AUSTENITIC STAINLESS STEEL	D2K 880T K 3 ¼	D2K880TKD/000	82,6	3.25	4,0	0.16	457,2	18.00	2000	450	1,03	0.69
		D2K 880T K 83,8	D2K880TKRA/000	83,8	3.30	4,0	0.16	457,2	18.00	2000	450	1,04	0.70
		D2K 880T K 4 ½	D2K880TKG/000	114,3	4.50	4,0	0.16	500,0	19.69	2000	450	1,22	0.82
ECOLOGICAL FRICTION ABATING THERMOPLASTIC e-FAST	AUSTENITIC STAINLESS STEEL	EF 880T K 3 ¼	EF880TKD/000	82,6	3.25	4,0	0.16	457,2	18.00	2000	450	1,03	0.69
		EF 880T K 83,8	EF880TKRA/000	83,8	3.30	4,0	0.16	457,2	18.00	2000	450	1,04	0.70
		EF 880T K 4 ½	EF880TKG/000	114,3	4.50	4,0	0.16	500,0	19.69	2000	450	1,22	0.82
ABRASION RESISTANT POLYAMIDE ⁽¹⁾ AR	AUSTENITIC STAINLESS STEEL	AR 880T K 3 ¼	AR880TKD/000	82,6	3.25	4,0	0.16	457,2	18.00	2000	450	0,89	0.60
		AR 880T K 4 ½	AR880TKG/000	114,3	4.50	4,0	0.16	500,0	19.69	2000	450	1,02	0.69

⁽¹⁾ ACTUAL WIDTH CAN BE UP TO 0,5% GREATER THAN NOMINAL WIDTH



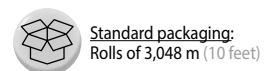
Standard packaging:
Rolls of 3,048 m (10 feet)

MAGNETIC
REDUCED PLATE GAP
PITCH 1 ½" (38,1 mm)
THICKNESS 4 mm (0.157")
HINGE 42 mm (1.654")

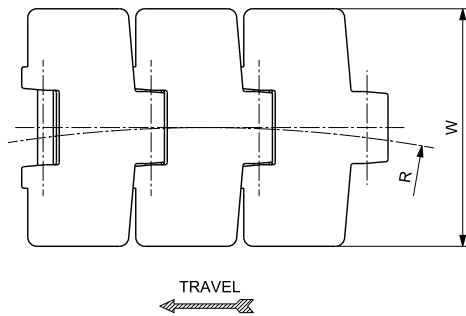
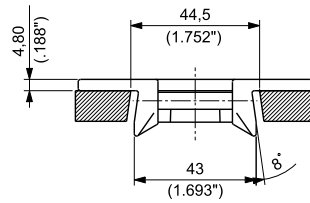
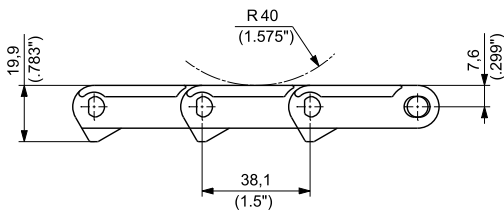
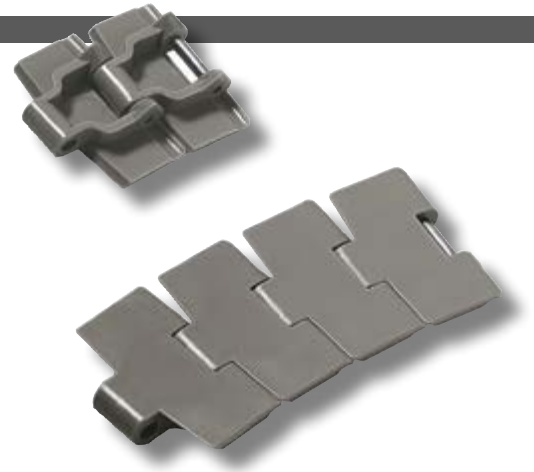


MATERIALS		ITEM DESCRIPTION	PART NUMBER	WIDTH W		PLATE THICKNESS		SIDEFLEXING RADIUS		WORKING LOAD (25°C/77°F)		WEIGHT	
Plate	Pin			mm	inch	mm	inch	mm	R inch	N	lbs	kg/m	lbs/ft
ULTRA PERFORMANCE HOMOPOLYMER DELRIN® UP	MAGNETIC STAINLESS STEEL	UP 880M RG K 3 ¼	UP880MRGKD/000	82,6	3.25	4,0	0.16	500,0	19.69	2000	450	0,98	0.66
		UP 880M RG K 83,8	UP880MRGKRA/000	83,8	3.30	4,0	0.16	500,0	19.69	2000	450	0,99	0.67
		UP 880M RG K 4 ½	UP880MRGKG/000	114,3	4.50	4,0	0.16	500,0	19.69	2000	450	1,12	0.75
SPECIAL DELRIN® REINFORCED WITH KEVLAR® D2K	MAGNETIC STAINLESS STEEL	D2K 880M RG K 3 ¼	D2K880MRGKD/000	82,6	3.25	4,0	0.16	500,0	19.69	2000	450	0,97	0.65
		D2K 880M RG K 83,8	D2K880MRGKRA/000	83,8	3.30	4,0	0.16	500,0	19.69	2000	450	0,98	0.66
		D2K 880M RG K 4 ½	D2K880MRGKG/000	114,3	4.50	4,0	0.16	500,0	19.69	2000	450	1,12	0.75
NEW ECOLOGICAL FRICTION ABATING THERMOPLASTIC e-FAST	MAGNETIC STAINLESS STEEL	EF 880M RG K 3 ¼	EF880MRGKD/000	82,6	3.25	4,0	0.16	500,0	19.69	2000	450	0,97	0.65
		EF 880M RG K 83,8	EF880MRGKRA/000	83,8	3.30	4,0	0.16	500,0	19.69	2000	450	0,98	0.66
		EF 880M RG K 4 ½	EF880MRGKG/000	114,3	4.50	4,0	0.16	500,0	19.69	2000	450	1,12	0.75
ABRASION RESISTANT POLYAMIDE ⁽¹⁾ AR	MAGNETIC STAINLESS STEEL	AR 880M RG K 4 ½	AR880MRGKG/000	114,3	4.50	4,0	0.16	500,0	19.69	2000	450	1,08	0.73

⁽¹⁾ ACTUAL WIDTH CAN BE UP TO 0,5% GREATER THAN NOMINAL WIDTH



BEVEL
REINFORCED TOP PLATE
PITCH 1 ½" (38,1 mm)
THICKNESS 4,8 mm (0.188")
HINGE 43 mm (1.693")



FliteTop



Materials
see page 12



Sprockets
see pages 146÷148



Corner tracks
see page 325



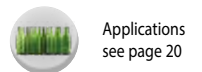
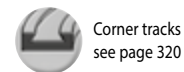
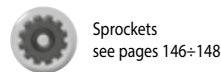
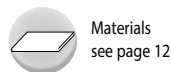
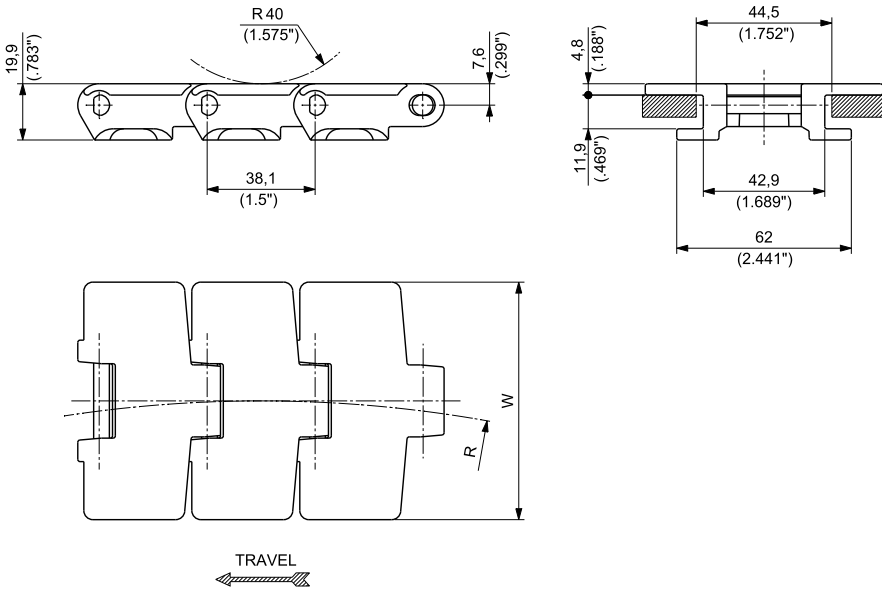
Applications
see page 20

MATERIALS		ITEM DESCRIPTION	PART NUMBER	WIDTH W		PLATE THICKNESS		SIDEFLEXING RADIUS		WORKING LOAD (25°C/77°F)		WEIGHT	
Plate	Pin			mm	inch	mm	inch	mm ^R	inch	N	lbs	kg/m	lbs/ft
ULTRA PERFORMANCE HOMOPOLYMER DELRIN®	AUSTENITIC STAINLESS STEEL	UP 879 K 3 ¼	UP879KD/000	82,6	3.25	4,8	0.19	457,2	18.00	2000	450	0,96	0.65
UP		UP 879 K 4 ½	UP879KG/000	114,3	4.50	4,8	0.19	500,0	19.69	2000	450	1,11	0.75

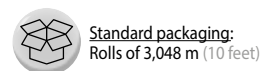


Standard packaging:
Rolls of 3,048 m (10 feet)

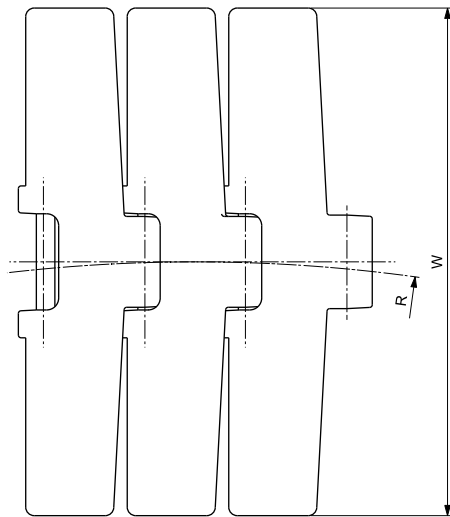
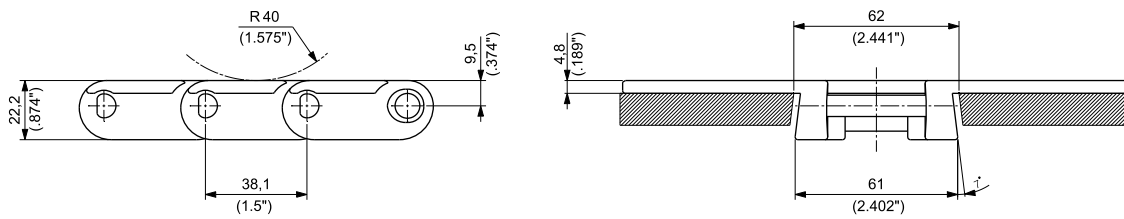
TAB
REINFORCED TOP PLATE
PITCH 1 ½" (38,1 mm)
THICKNESS 4,8 mm (0.188")
HINGE 42,9 mm (1.689")



MATERIALS		ITEM DESCRIPTION	PART NUMBER	WIDTH W		PLATE THICKNESS		SIDEFLEXING RADIUS R		WORKING LOAD (25°C/77°F)		WEIGHT	
Plate	Pin			mm	inch	mm	inch	mm	inch	N	lbs	kg/m	lbs/ft
ULTRA PERFORMANCE HOMOPOLYMER DELRIN® UP	AUSTENITIC STAINLESS STEEL	UP 879T K 3 ¼	UP879TKD/000	82,6	3.25	4,8	0.19	457,2	18.00	2000	450	1,07	0.72
		UP 879T K 83,8	UP879TKRA/000	83,8	3.30	4,8	0.19	457,2	18.00	2000	450	1,08	0.73
		UP 879T K 4 ½	UP879TKG/000	114,3	4.50	4,8	0.19	500,0	19.69	2000	450	1,28	0.86
SPECIAL DELRIN® REINFORCED WITH KEVLAR® D2K	AUSTENITIC STAINLESS STEEL	D2K 879T K 3 ¼	D2K879TKD/000	82,6	3.25	4,8	0.19	457,2	18.00	2000	450	1,04	0.70
		D2K 879T K 83,8	D2K879TKRA/000	83,8	3.30	4,8	0.19	457,2	18.00	2000	450	1,05	0.71
		D2K 879T K 4 ½	D2K879TKG/000	114,3	3.30	4,8	0.19	500,0	19.69	2000	450	1,24	0.83



BEVEL
HEAVY DUTY SINGLE HINGE
REINFORCED TOP PLATE
PITCH 1 ½" (38,1 mm)
THICKNESS 4,8 mm (0.189")
HINGE 61 mm (2.402")



TRAVEL

FliteTop



Materials
see page 12



Sprockets
see pages 149÷150



Corner tracks
see page 326



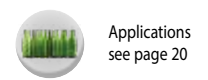
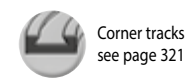
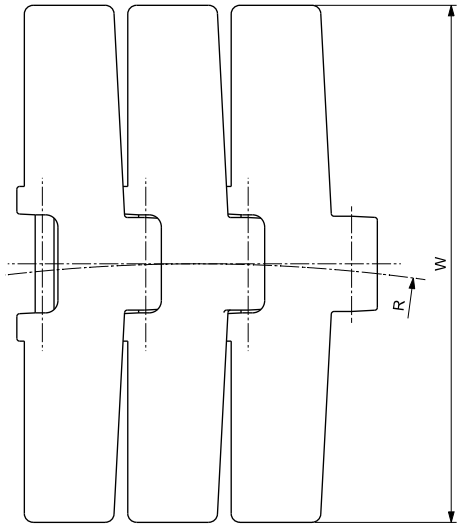
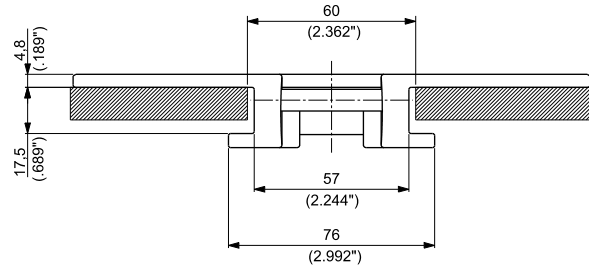
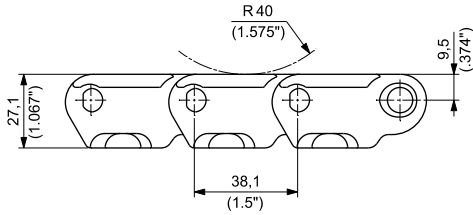
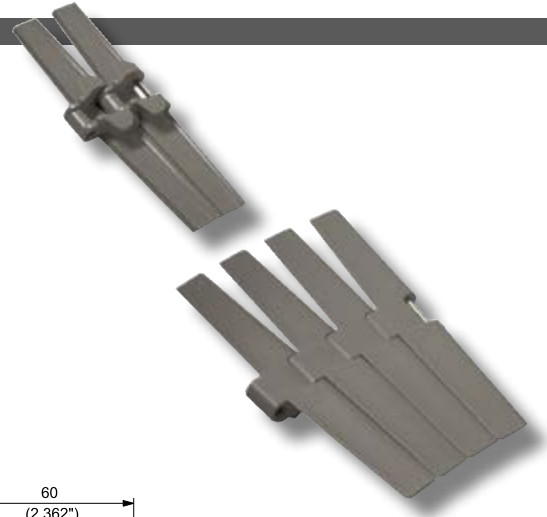
Applications
see page 20

MATERIALS		ITEM DESCRIPTION	PART NUMBER	WIDTH W		PLATE THICKNESS		SIDEFLEXING RADIUS		WORKING LOAD (25°C/77°F)		WEIGHT	
Plate	Pin			mm	inch	mm	inch	mm	R inch	N	lbs	kg/m	lbs/ft
ULTRA PERFORMANCE HOMOPOLYMER DELRIN® UP	AUSTENITIC STAINLESS STEEL	UP 882 K 4 ½	UP882KG/000	114,3	4.50	4,8	0.19	609,6	24	3910	879	1,92	1.29
		UP 882 K 7 ½	UP882KL/000	190,5	7.50	4,8	0.19	609,6	24	3910	879	2,31	1.55
		UP 882 K 10	UP882KM/000	254,0	10.00	4,8	0.19	609,6	24	3910	879	2,62	1.76
		UP 882 K 12	UP882KN/000	304,8	12.00	4,8	0.19	609,6	24	3910	879	2,85	1.91

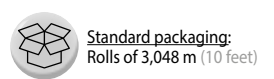


Standard packaging:
Rolls of 3,048 m (10 feet)

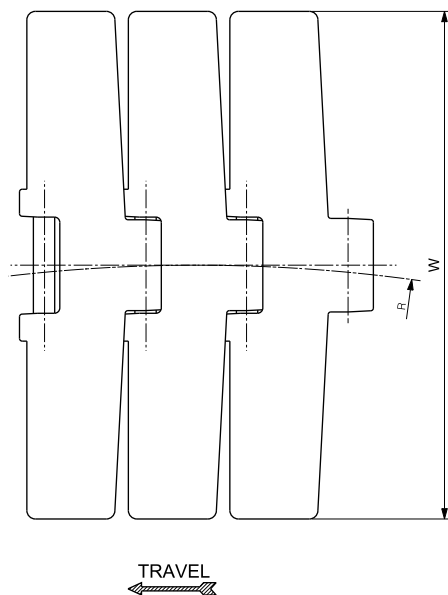
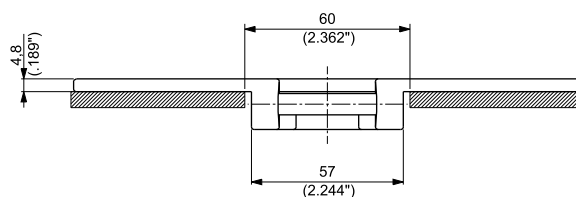
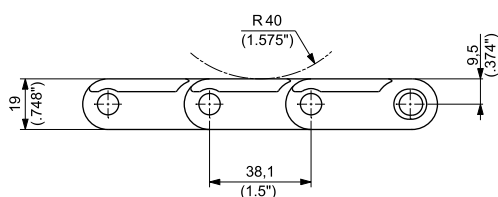
TAB
HEAVY DUTY SINGLE HINGE
REINFORCED TOP PLATE
PITCH 1 ½" (38,1 mm)
THICKNESS 4,8 mm (0.189")
HINGE 57 mm (2.244")



MATERIALS		ITEM DESCRIPTION	PART NUMBER	WIDTH W		PLATE THICKNESS		SIDEFLEXING RADIUS		WORKING LOAD (25°C/77°F)		WEIGHT	
Plate	Pin			mm	inch	mm	inch	mm	R inch	N	lbs	kg/m	lbs/ft
ULTRA PERFORMANCE HOMOPLYMER DELRIN® UP	AUSTENITIC STAINLESS STEEL	UP 882T K 4 ½	UP882TKG/000	114,3	4.50	4,8	0.19	609,6	24	3910	879	2,05	1.38
		NEW UP 882T K 6	UP882TKH/000	152,4	6.00	4,8	0.19	609,6	24	3910	879	2,25	1.51
		UP 882T K 7 ½	UP882TKL/000	190,5	7.50	4,8	0.19	609,6	24	3910	879	2,45	1.64
		UP 882T K 10	UP882TKM/000	254,0	10.00	4,8	0.19	609,6	24	3910	879	2,75	1.85
		UP 882T K 12	UP882TKN/000	304,8	12.00	4,8	0.19	609,6	24	3910	879	2,99	2.01
SPECIAL DELRIN® REINFORCED WITH KEVLAR® DK2	AUSTENITIC STAINLESS STEEL	D2K 882T K 4 ½	D2K882TKG/000	114,3	4.50	4,8	0.19	609,6	24	3910	879	2,05	1.38
		NEW D2K 882T K 6	D2K882TKH/000	152,4	6.00	4,8	0.19	609,6	24	3910	879	2,25	1.51
		NEW D2K 882T K 7 ½	D2K882TKL/000	190,5	7.50	4,8	0.19	609,6	24	3910	879	2,45	1.64
ECOLOGICAL FRICTION ABATING THERMOPLASTIC e-F.A.S.T.	AUSTENITIC STAINLESS STEEL	EF 882T K 4 ½	EF882TKG/000	114,3	4.50	4,8	0.19	609,6	24	3910	879	2,05	1.38



MAGNETIC
HEAVY DUTY SINGLE HINGE
REINFORCED TOP PLATE
PITCH 1 ½" (38,1 mm)
THICKNESS 4,8 mm (0.189")
HINGE 57 mm (2.244")



FliteTop



Materials
see page 12



Sprockets
see pages 149÷150



Corner tracks
see pages 280



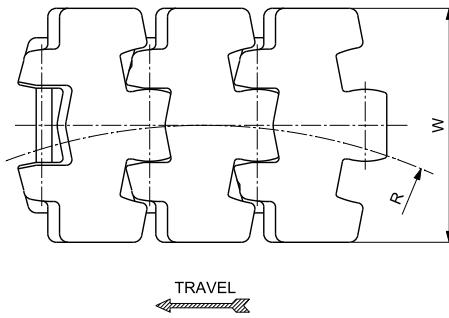
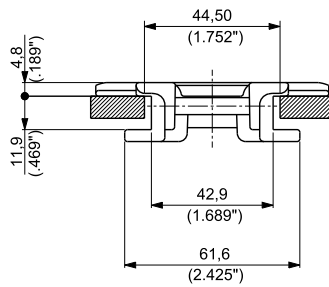
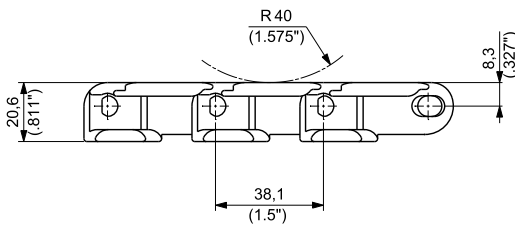
Applications
see page 20

MATERIALS		ITEM DESCRIPTION	PART NUMBER	WIDTH W		PLATE THICKNESS		SIDEFLEXING RADIUS		WORKING LOAD (25°C/77°F)		WEIGHT	
Plate	Pin			mm	inch	mm	inch	mm	R inch	N	lbs	kg/m	lbs/ft
ULTRA PERFORMANCE HOMOPOLYMER DELRIN® UP	MAGNETIC STAINLESS STEEL	UP 882M K 7 ½	UP882MKL/000	190,5	7.50	4,8	0.19	609,6	24	3910	879	2,21	1.48
		UP 882M K 10	UP882MKM/000	254,0	10.00	4,8	0.19	609,6	24	3910	879	2,52	1.69
		UP 882M K 12	UP882MKN/000	304,8	12.00	4,8	0.19	609,6	24	3910	879	2,76	1.85



Standard packaging:
Rolls of 3,048 m (10 feet)

TAB
REDUCED SIDEFLEXING RADIUS
REINFORCED TOP PLATE
PITCH 1 ½" (38,1 mm)
THICKNESS 4,8 mm (0.189")
HINGE 42,9 mm (1.689")



Materials
see page 12



Sprockets
see pages 146÷148



Corner tracks
see page 320



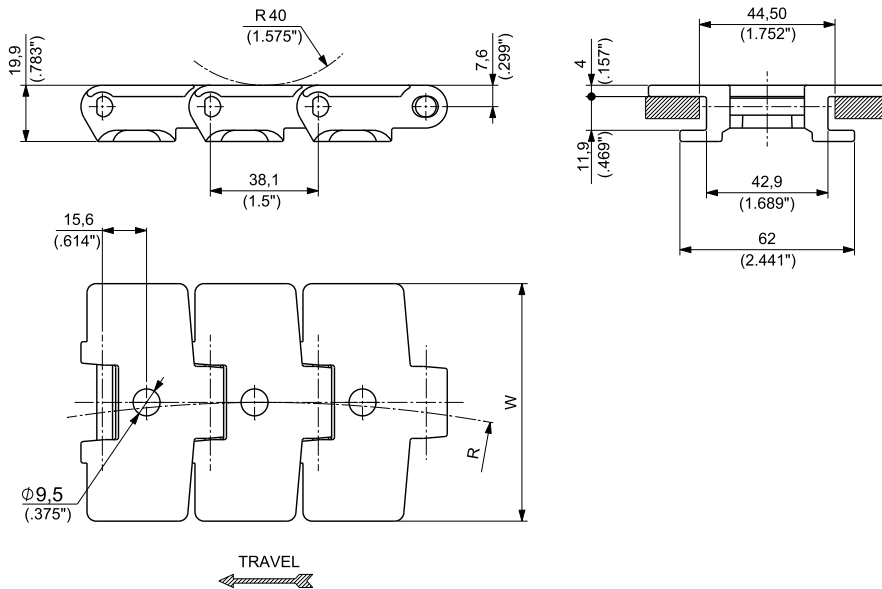
Applications
see page 20

MATERIALS		ITEM DESCRIPTION	PART NUMBER	WIDTH W		PLATE THICKNESS		SIDEFLEXING RADIUS		WORKING LOAD (25°C/77°F)		WEIGHT	
Plate	Pin			mm	inch	mm	inch	mm	inch	N	lbs	kg/m	lbs/ft
ULTRA PERFORMANCE HOMOPOLYMER DELRIN® UP	AUSTENITIC STAINLESS STEEL	UP 878T K 3 ¼	UP878TKD/000	82,6	3.25	4,8	0.19	200	7.87	2000	450	1,08	0.73
SPECIAL DELRIN® REINFORCED WITH KEVLAR® DK2	AUSTENITIC STAINLESS STEEL	D2K 878T K 3 ¼	D2K878TKD/000	82,6	3.25	4,8	0.19	200	7.87	2000	450	1,06	0.71
ABRASION RESISTANT POLYAMIDE AR	AUSTENITIC STAINLESS STEEL	AR 878T K 3 ¼	AR878TKD/000	82,6	3.25	4,8	0.19	200	7.87	2000	450	0,89	0.60



Standard packaging:
Rolls of 3,048 m (10 feet)

TAB
VACUUM SERIES
PITCH 1 ½" (38,1 mm)
THICKNESS 4 mm (0.157")
HINGE 42,9 mm (1.689")



FliteTop



Materials
see page 12



Sprockets
see pages 146-148



Corner tracks
see page 320



Applications
see page 20

MATERIALS		ITEM DESCRIPTION	PART NUMBER	WIDTH W		PLATE THICKNESS		SIDEFLEXING RADIUS		WORKING LOAD (25°C/77°F)		WEIGHT	
Plate	Pin			mm	inch	mm	inch	mm	R inch	N	lbs	kg/m	lbs/ft
ULTRA PERFORMANCE HOMOPOLYMER DELRIN® UP	AUSTENITIC STAINLESS STEEL	UP 880TA K 3 ¼	UP880TAKD/000	82,6	3.25	4,0	0.16	457,2	18	2000	450	0,51	0.34



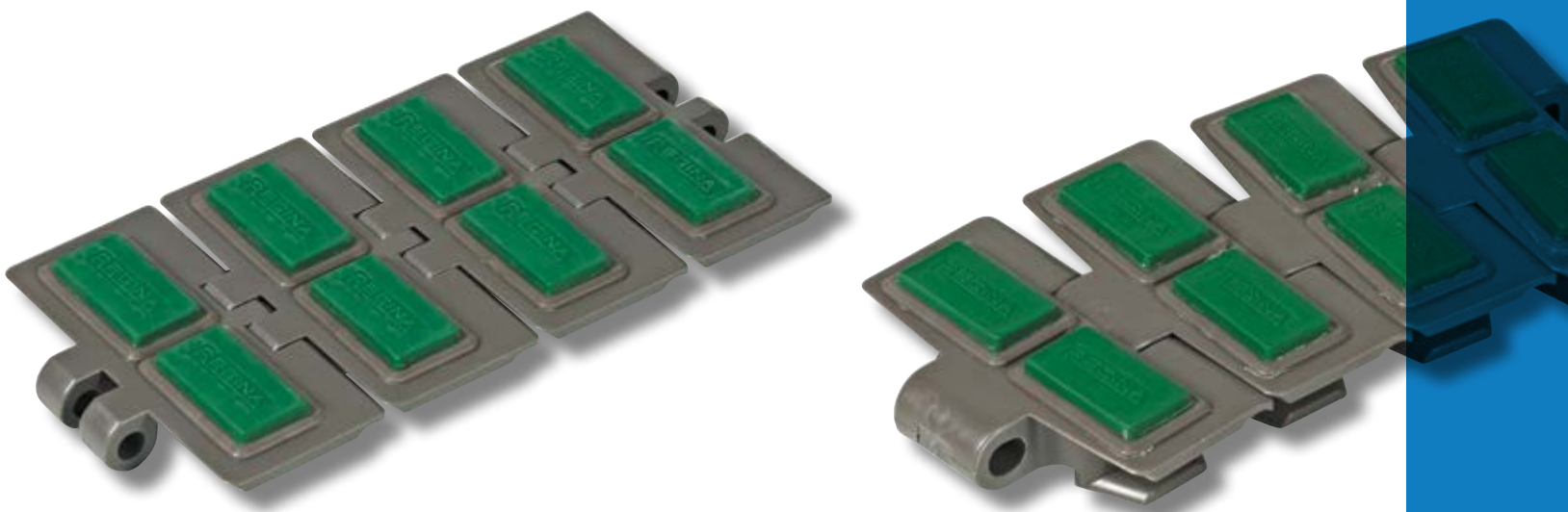
Standard packaging:
Rolls of 3,048 m (10 feet)



PERFORMANCE IN MOTION

FliteTop[®]

Rubberized Surface
Plastic Chains

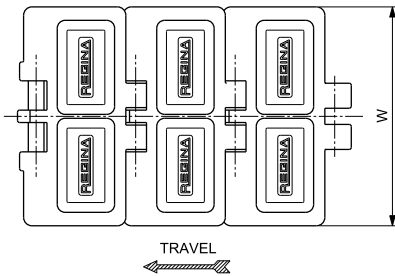
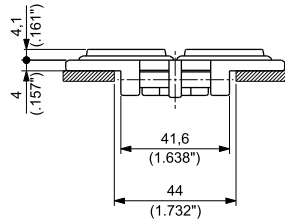
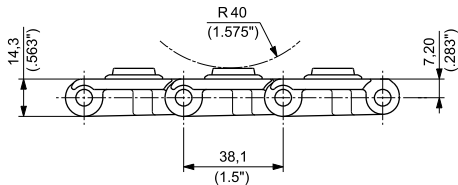
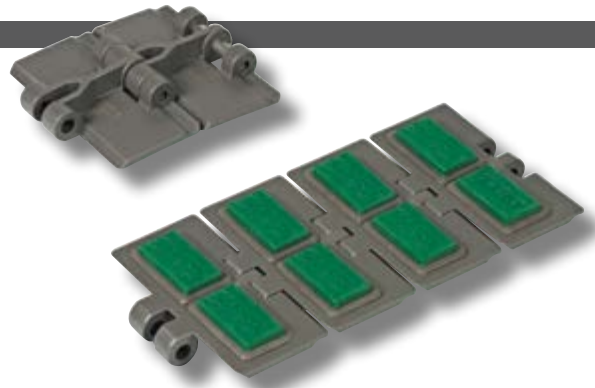


SINGLE HINGE

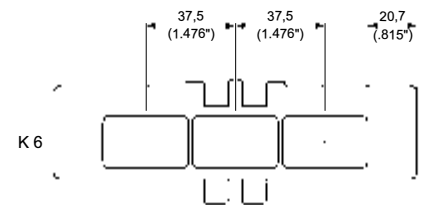
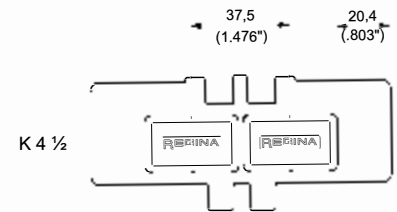
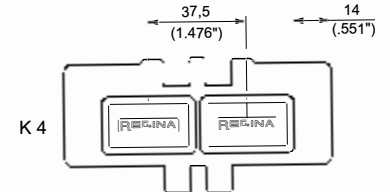
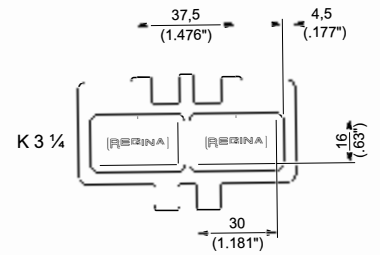
PITCH 1 1/2" (38,1 mm)

THICKNESS 4 mm (0.157")

HINGE 41,6 mm (1.638")



RUBBER PAD POSITION



Materials
see page 12



Sprockets
see pages 140÷143



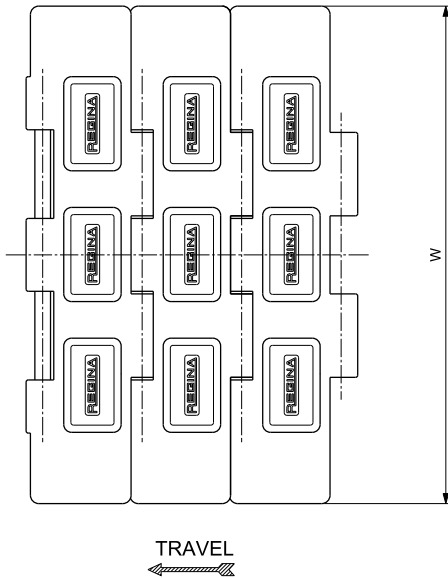
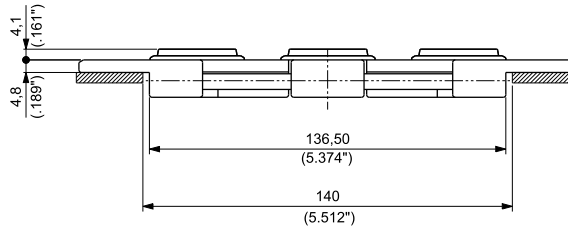
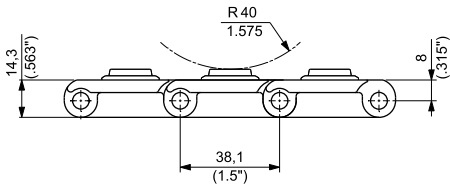
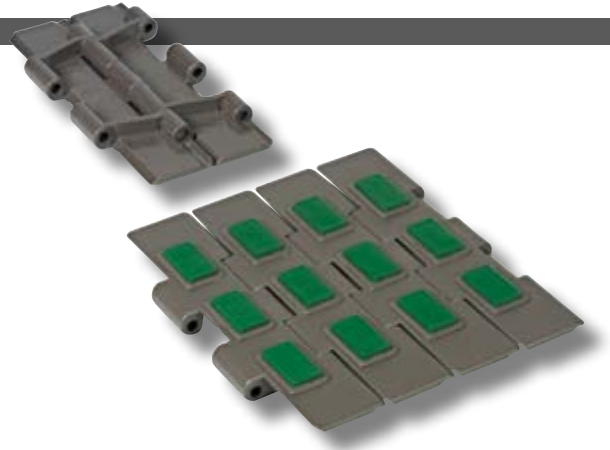
Applications
see page 20

MATERIALS			ITEM DESCRIPTION	PART NUMBER	WIDTH W		PLATE THICKNESS		WORKING LOAD (25°C/77°F)		WEIGHT	
Plate	Pin	Rubber			mm	inch	mm	inch	N	lbs	kg/m	lbs/ft
ULTRA PERFORMANCE HOMOPOLYMER DELRIN® UP	AUSTENITIC STAINLESS STEEL	THERMOPLASTIC	HFX 820 UP K 3 1/4	HFX820KD/000	82,6	3.25	4,0	0.16	1600	360	1,00	0.67
		TPE Hardness: 70 ShA	HFX 820 UP K 4	HFX820KF/000	101,6	4.00	4,0	0.16	1600	360	1,09	0.73
			HFX 820 UP K 4 1/2	HFX820KG/000	114,3	4.50	4,0	0.16	1600	360	1,17	0.79
			HFX 820 UP K 6	HFX820KH/000	152,4	6.00	4,0	0.16	1600	360	1,45	0.97
			HFX 820 UP K 7 1/2	HFX820KL/000	190,5	7.50	4,0	0.16	1600	360	1,60	1.07

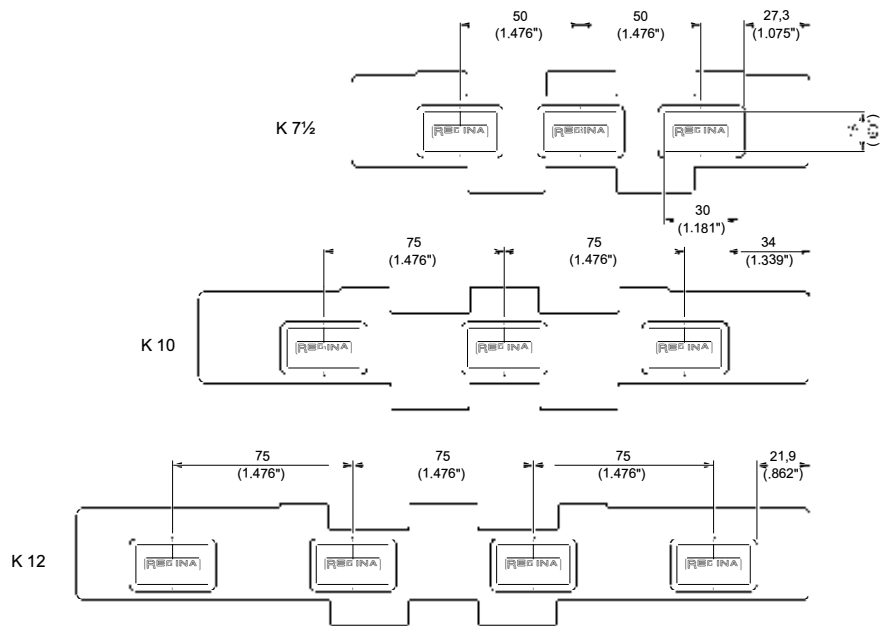


Standard packaging:
Rolls of 3,048 m (10 feet)

DOUBLE HINGE
REINFORCED TOP PLATE
PITCH 1 ½" (38,1 mm)
THICKNESS 4,8 mm (0.189")
HINGE 136,5 mm (5.374")



RUBBER PAD POSITION



Materials
see page 12



Sprockets
see pages 144÷145



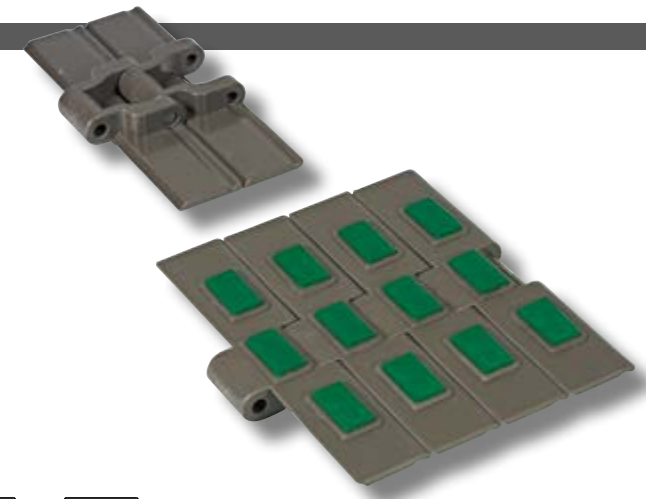
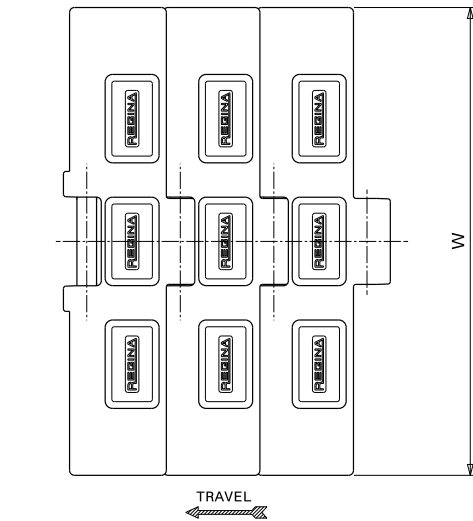
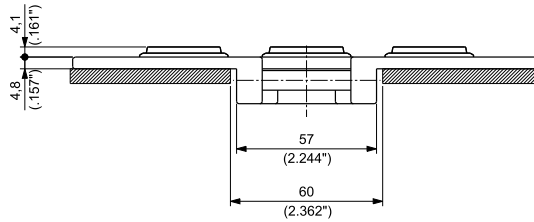
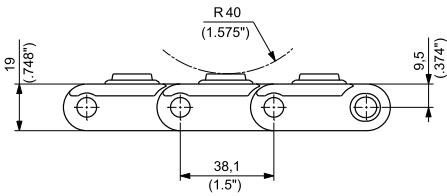
Applications
see page 20

MATERIALS			ITEM DESCRIPTION	PART NUMBER	WIDTH W		PLATE THICKNESS		WORKING LOAD (25°C/77°F)		WEIGHT	
Plate	Pin	Rubber			mm	inch	mm	inch	N	lbs	kg/m	lbs/ft
ULTRA PERFORMANCE HOMOPOLYMER DELRIN® UP	AUSTENITIC STAINLESS STEEL	THERMOPLASTIC	HFX 821 UP K 7 ½	HFX821KL/000	190,5	7.50	4,8	0.19	2750	618	2,68	1.80
		TPE	HFX 821 UP K 10	HFX821KM/000	254,0	10.00	4,8	0.19	2750	618	3,06	2.06
		Hardness: 70 ShA	HFX 821 UP K 12	HFX821KN/000	304,8	12.00	4,8	0.19	2750	618	3,43	2.30

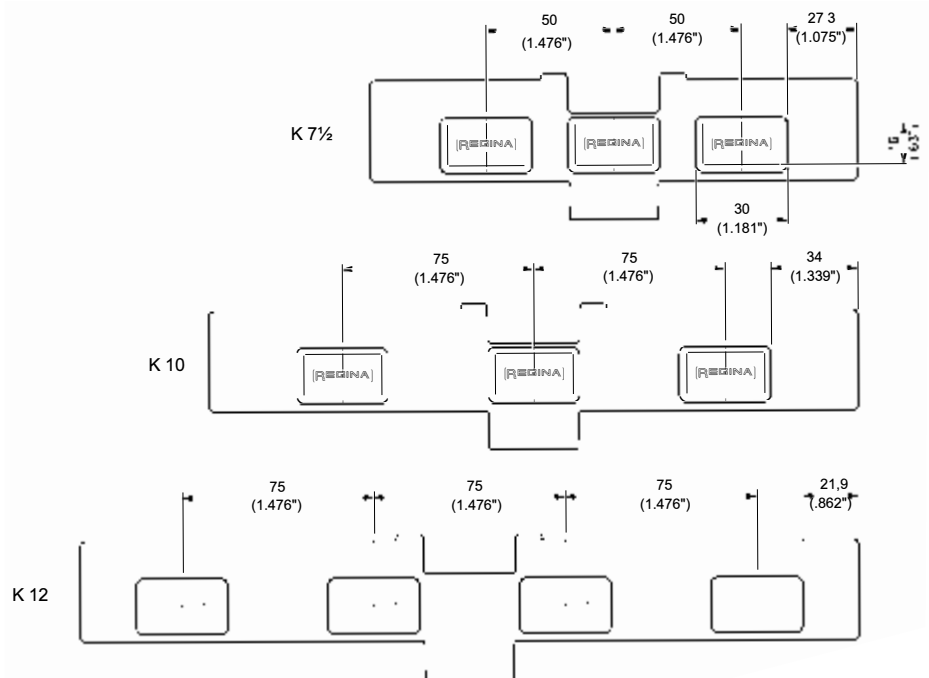


Standard packaging:
Rolls of 3,048 m (10 feet)

**HEAVY DUTY SINGLE HINGE
REINFORCED TOP PLATE
PITCH 1 ½" (38,1 mm)
THICKNESS 4,8 mm (0.189")
HINGE 57 mm (2.244")**



RUBBER PAD POSITION



Materials
see page 12



Sprockets
see pages 149÷150



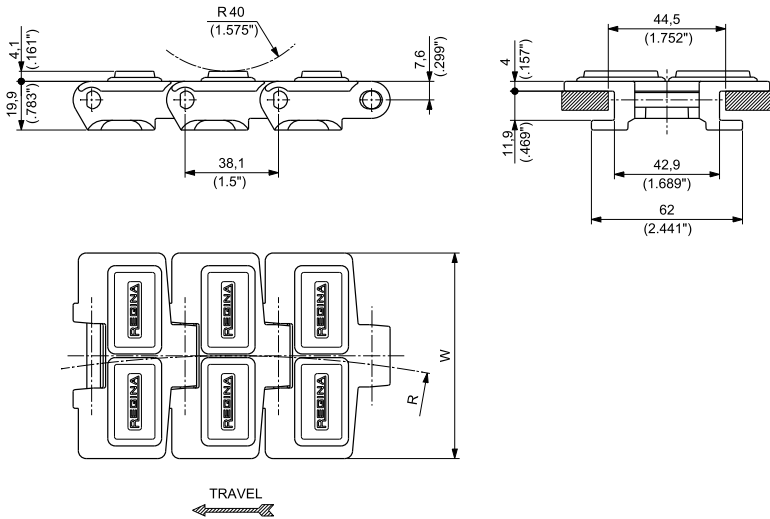
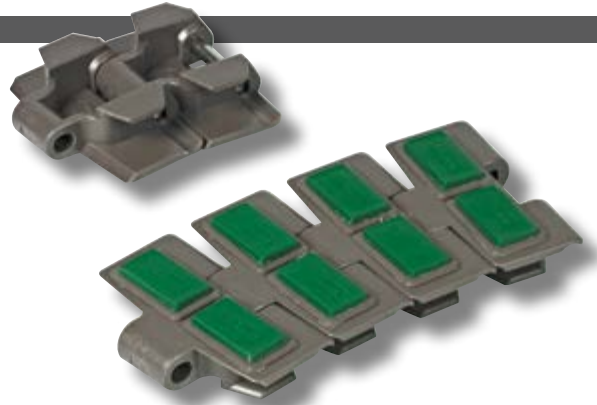
Applications
see page 20

MATERIALS			ITEM DESCRIPTION	PART NUMBER	WIDTH W		PLATE THICKNESS		WORKING LOAD (25°C/77°F)		WEIGHT	
Plate	Pin	Rubber			mm	inch	mm	inch	N	lbs	kg/m	lbs/ft
ULTRA PERFORMANCE HOMOPOLYMER DELRIN® UP	AUSTENITIC STAINLESS STEEL	THERMOPLASTIC	HFX 8257 UP K 7 ½	HFX8257UPKL/000	190,5	7.50	4,8	0.19	3910	154	2,68	1.80
		TPE	HFX 8257 UP K 10	HFX8257UPKM/000	254,0	10.00	4,8	0.19	3910	154	3,06	2.06
		Hardness: 70 ShA	HFX 8257 UP K 12	HFX8257UPKN/000	304,8	12.00	4,8	0.19	3910	154	3,43	2.30

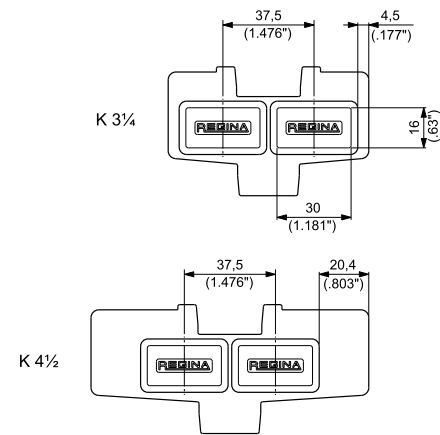


Standard packaging:
Rolls of 3,048 m (10 feet)

TAB
PITCH 1 ½" (38,1 mm)
THICKNESS 4 mm (0.157")
HINGE 42,9 mm (1.689")



RUBBER PAD POSITION



Materials
see page 12



Sprockets
see pages 146÷148



Corner tracks
see page 320



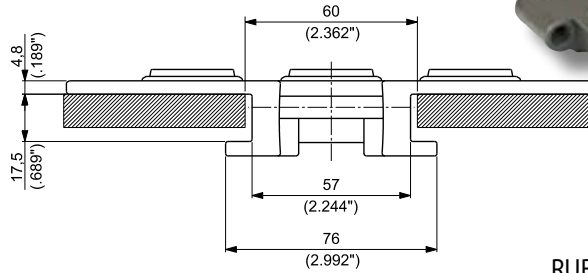
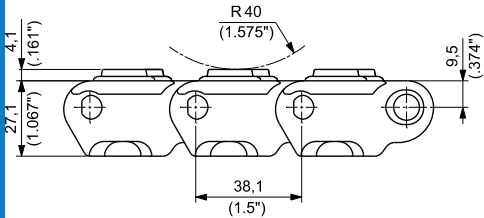
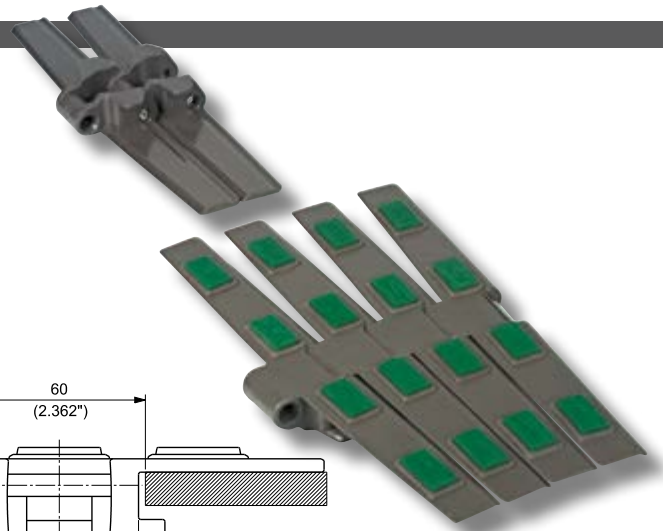
Applications
see page 20

MATERIALS			ITEM DESCRIPTION	PART NUMBER	WIDTH W		PLATE THICKNESS		SIDEFLEXING RADIUS		WORKING LOAD (25°C/77°F)		WEIGHT	
Plate	Pin	Rubber			mm	inch	mm	inch	mm ^R	Inch	N	lbs	kg/m	lbs/ft
ULTRA PERFORMANCE HOMOPOLYMER DELRIN® UP	AUSTENITIC STAINLESS STEEL	THERMOPLASTIC	HFX 880T UP K 3 ¼	HFX880TKD/000	82,6	3.25	4,0	0.16	500,0	19.69	2750	618	2,68	1.80
		TPE Hardness: 70 ShA	HFX 880T UP K 4 ½	HFX880TKG/000	114,3	4.50	4,0	0.16	500,0	19.69	2750	618	3,06	2.06

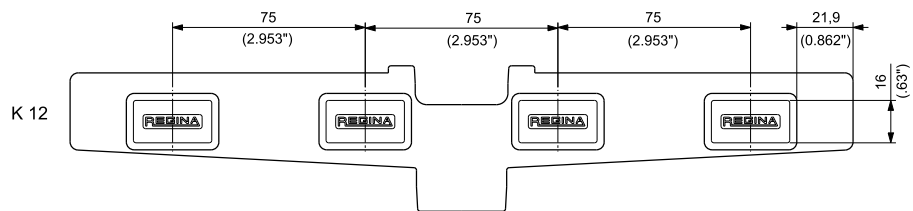
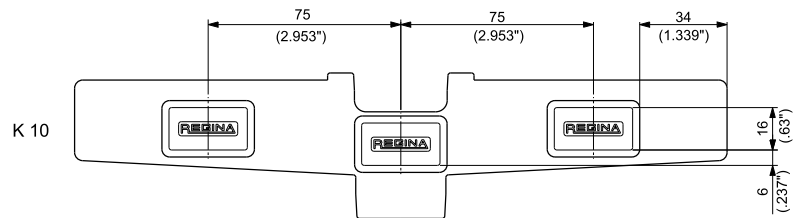
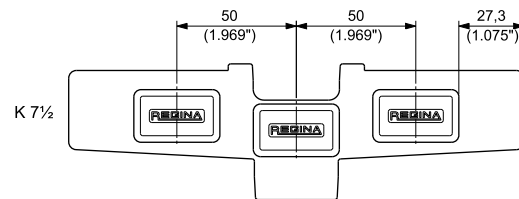
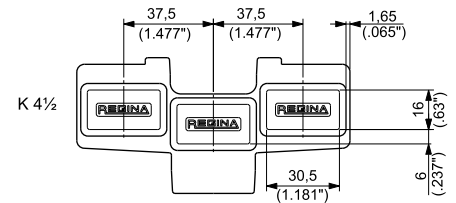


Standard packaging:
Rolls of 3,048 m (10 feet)

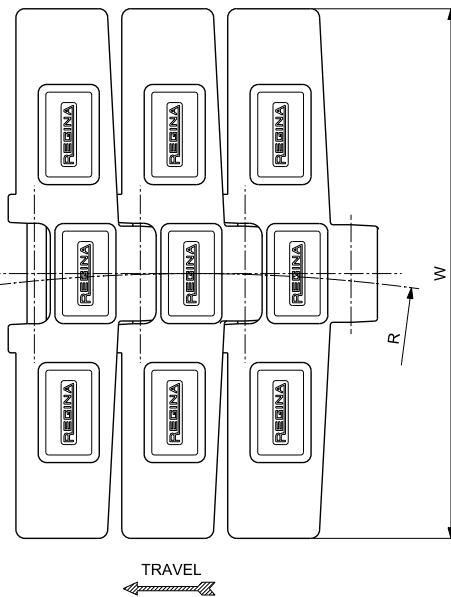
TAB
HEAVY DUTY SINGLE HINGE
REINFORCED TOP PLATE
PITCH 1 ½" (38,1 mm)
THICKNESS 4,8 mm (0.189")
HINGE 57 mm (2.244")



RUBBER PAD POSITION



FliteTop



Materials
see page 12



Sprockets
see pages 149÷151



Corner tracks
see page 321



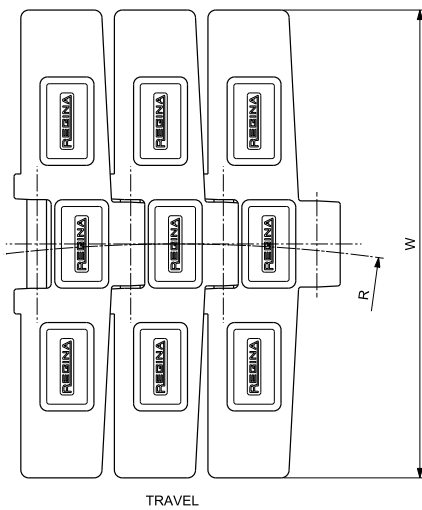
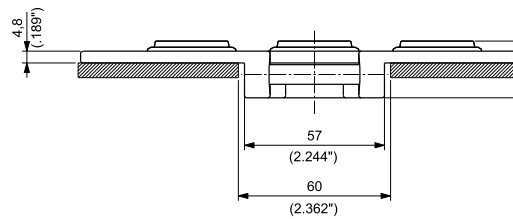
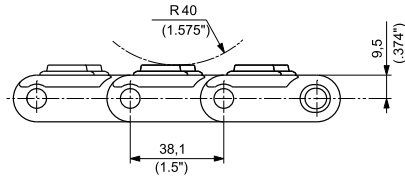
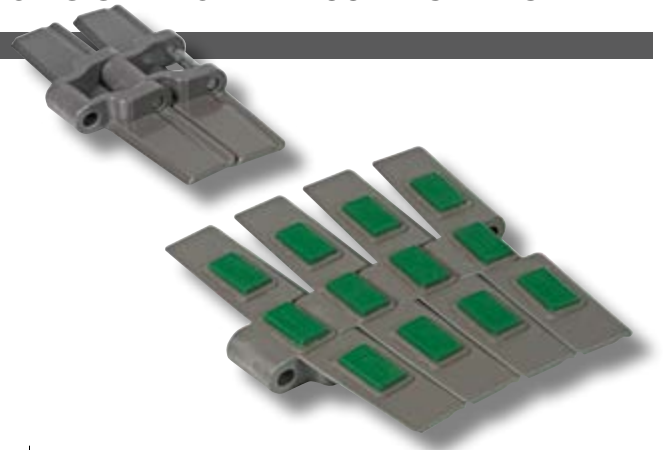
Applications
see page 20

MATERIALS			ITEM DESCRIPTION	PART NUMBER	WIDTH W		PLATE THICKNESS		SIDEFLEXING WORKING LOAD (25°C/77°F)		WEIGHT			
Plate	Pin	Rubber			mm	inch	mm	inch	mm ^R	inch	N	lbs	kg/m	lbs/ft
ULTRA PERFORMANCE HOMOPOLYMER DELRIN® UP	AUSTENITIC STAINLESS STEEL	THERMOPLASTIC	HFX 882T UP K 4 ½	HFX882TKG/000	114,3	4.50	4,8	0.19	609,6	24	3910	879	2,25	1.71
		TPE	HFX 882T UP K 7 ½	HFX882TKL/000	190,5	7.50	4,8	0.19	609,6	24	3910	879	2,64	1.78
		Hardness: 70 ShA	HFX 882T UP K 10	HFX882TKM/000	254,0	10.00	4,8	0.19	609,6	24	3910	879	2,95	1.98
			HFX 882T UP K 12	HFX882TKN/000	304,8	12.00	4,8	0.19	609,6	24	3910	879	3,25	2.18

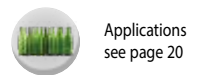
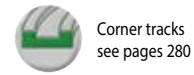
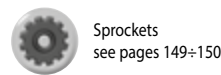
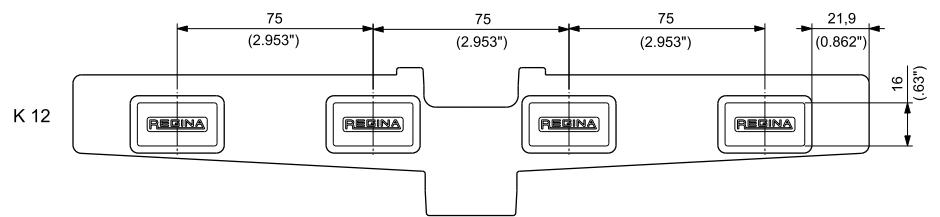
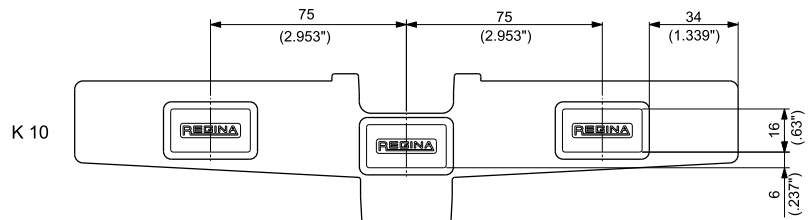
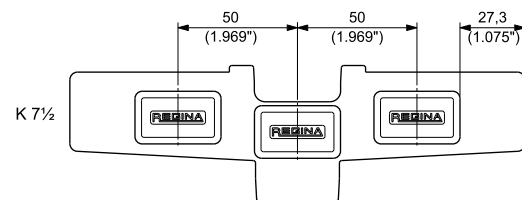


Standard packaging:
Rolls of 3,048 m (10 feet)

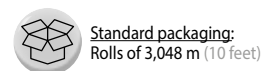
MAGNETIC
HEAVY DUTY SINGLE HINGE
REINFORCED TOP PLATE
PITCH 1 ½" (38,1 mm)
THICKNESS 4,8 mm (0.189")
HINGE 57 mm (2.244")



RUBBER PAD POSITION



MATERIALS			ITEM DESCRIPTION	PART NUMBER	WIDTH W		PLATE THICKNESS		SIDEFLEXING RADIUS R		WORKING LOAD (25°C/77°F)		WEIGHT	
Plate	Pin	Rubber			mm	inch	mm	inch	mm	inch	N	lbs	kg/m	lbs/ft
ULTRA PERFORMANCE HOMOPOLYMER DELRIN® UP	MAGNETIC STAINLESS STEEL	THERMOPLASTIC	HFX 882M UP K 7 ½	HFX882MUPKL/000	190,5	7.50	4,8	0.19	609,6	24	3910	879	2,40	1.61
		TPE	HFX 882M UP K 10	HFX882MUPKM/000	254,0	10.00	4,8	0.19	609,6	24	3910	879	2,71	1.82
		Hardness: 70 Sha	HFX 882M UP K 12	HFX882MUPKN/000	304,8	12.00	4,8	0.19	609,6	24	3910	879	3,02	2.03

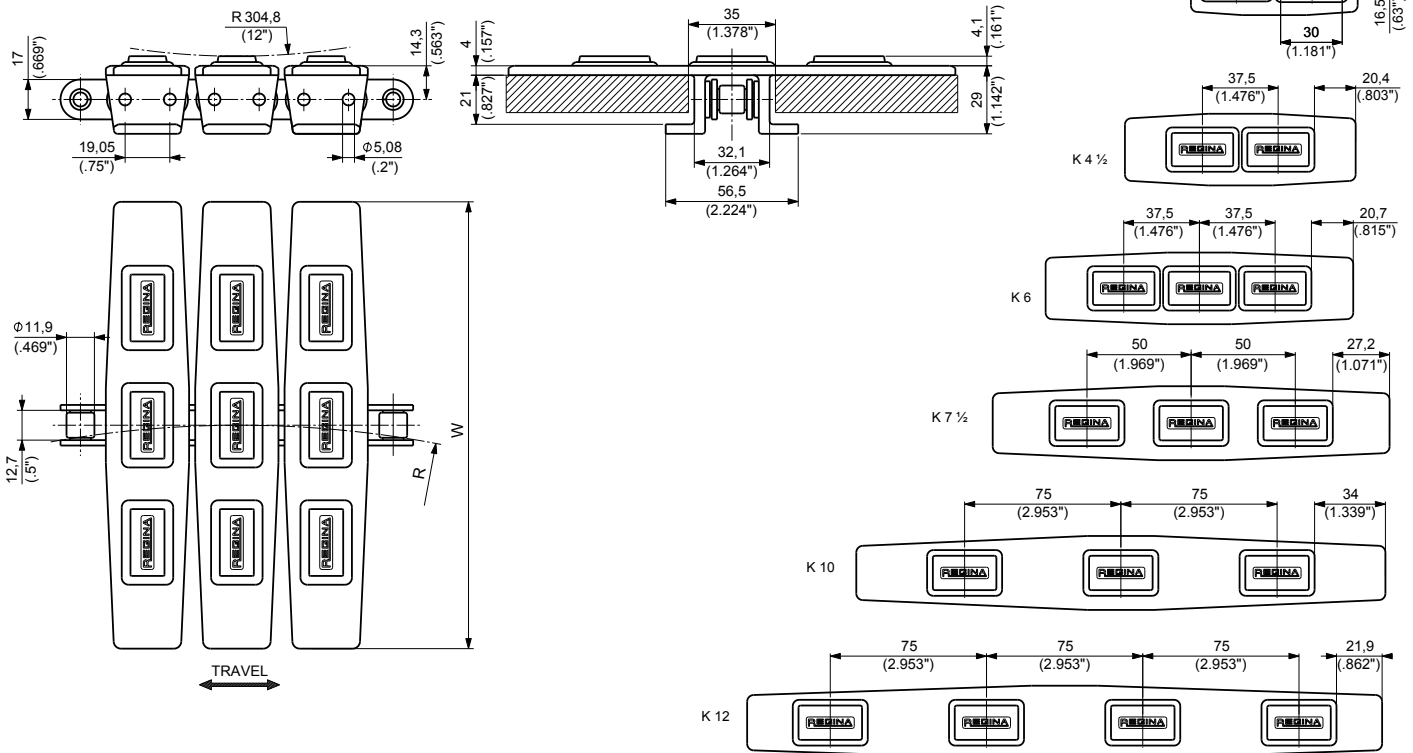


**TAB
PLASTIC FLIGHTS**
¾" PITCH ROLLER CHAIN
BIDIRECTIONAL
THICKNESS 4 mm (0.157")
HINGE 32,1 mm (1.264")

**POWERED
BY BASE ROLLER
CHAIN MADE
BY REGINA
IN ITALY**



RUBBER PAD POSITION



Materials
see page 12



Sprockets
see page 153



Corner tracks
see page 322



Applications
see page 20

MATERIALS			ITEM DESCRIPTION	PART NUMBER	CONNECTING LINK PART NUMBER	WIDTH		SIDEFLEXING RADIUS		WORKING LOAD (25°C/77°F)		WEIGHT		
Flight	Base Chain	Rubber				mm	inch	mm	inch	N	lbs	kg/m	lbs/ft	
			HFX 1873T UP K 3 1/4	HFX1873KD/000	18/0873	82,6	3.25	355,6	14	4500	1,013	2,42	1.63	
			HFX 1873T UP K 4 1/2	HFX1873KG/000		114,3	4.50	355,6	14	4500	1,013	2,51	1.69	
			HFX 1873T UP K 6	HFX1873KH/000		152,4	6.00	457,2	18	4500	1,013	2,74	1.84	
			HFX 1873T UP K 7 1/2	HFX1873KL/000		190,5	7.50	457,2	18	4500	1,013	3,03	2.04	
			HFX 1873T UP K 10	HFX1873KM/000		254,0	10.00	457,2	18	4500	1,013	3,16	2.12	
			HFX 1873T UP K 12	HFX1873KN/000		304,8	12.00	609,6	24	4500	1,013	3,38	2.27	
			HFX 1873T UP SS K 3 1/4	HFX1873SKD/000		18/SS873AB	82,6	3.25	355,6	14	3500	788	2,41	1.62
			HFX 1873T UP SS K 4 1/2	HFX1873SKG/000			114,3	4.50	355,6	14	3500	788	2,46	1.65
			HFX 1873T UP SS K 6	HFX1873SKH/000			152,4	6.00	457,2	18	3500	788	2,72	1.83
			HFX 1873T UP SS K 7 1/2	HFX1873SKL/000			190,5	7.50	457,2	18	3500	788	3,01	2.02
			HFX 1873T UP SS K 10	HFX1873SKM/000			254,0	10.00	457,2	18	3500	788	3,14	2.11
			HFX 1873T UP SS K 12	HFX1873SKN/000			304,8	12.00	609,6	24	3500	788	3,36	2.26

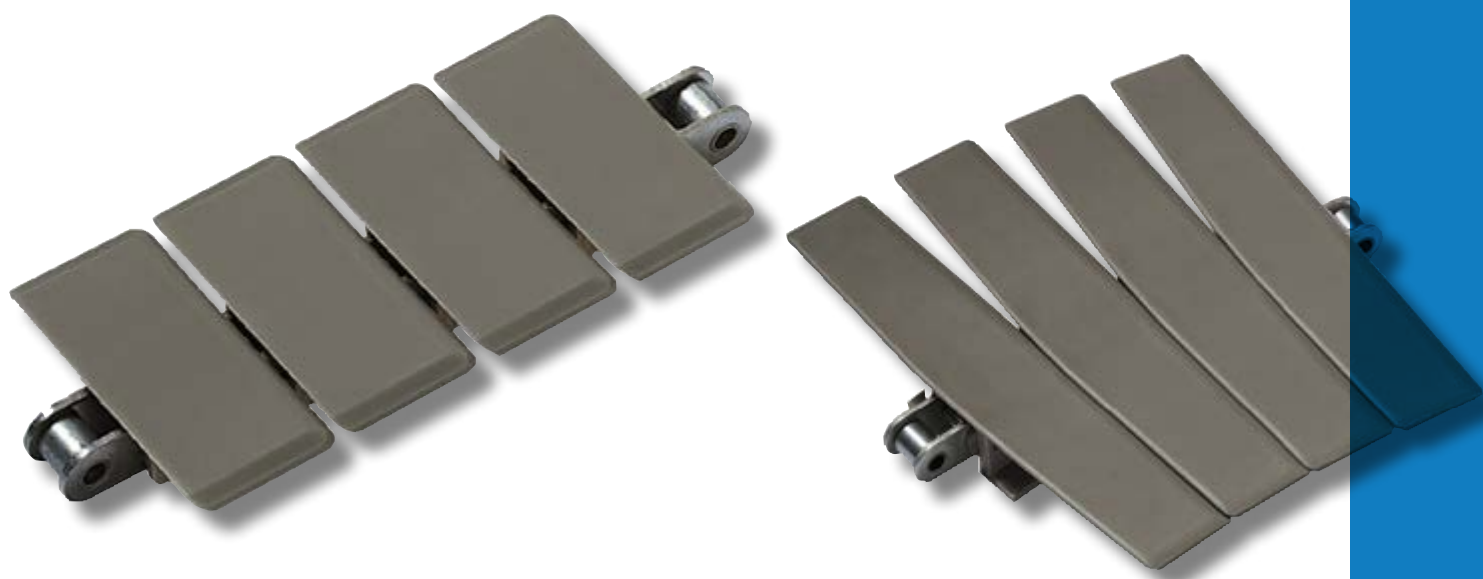


Standard packaging:
Rolls of 3,048 m (10 feet)



PERFORMANCE IN MOTION

FliteTop[®] Two-Piece Chains



INDUSTRIES AND APPLICATIONS

TWO-PIECE CHAINS

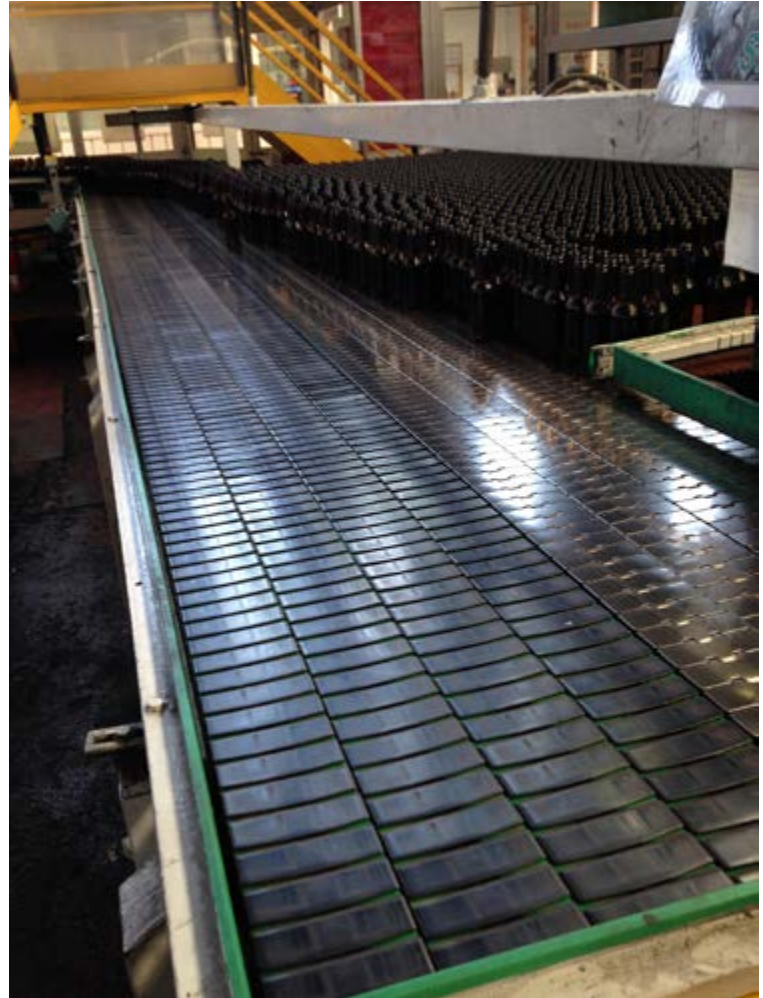
Suitable for handling products (loose or packaged) where less stick slip effect and accurate product positioning (step by step applications) are required.

INDUSTRIES

Bottling and canning
 Container manufacturing
 Paper / Cardboard
 Glass manufacturing
 Automotive / Mechanical

APPLICATIONS

General single lane conveyors
 Product handling within packaging machine



FEATURES

- Powered by ASA 40 and ASA 60 base roller chains made by REGINA in Italy.
- Stainless steel chain prelubricated with high performance lube suitable for the food industry (USDA H1 approved) which guarantees long-lasting effect for the chain.
- Great loading capacity at higher speed.
- Possibility of longer conveyor on a single drive.
- Easy replaceable top flights clipped on the protruding pins on the base roller chain.

STEEL FLIGHTS

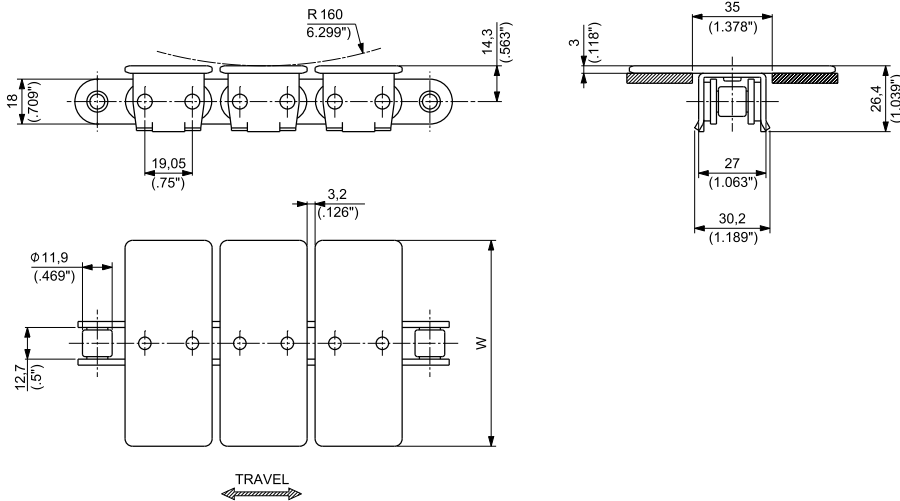
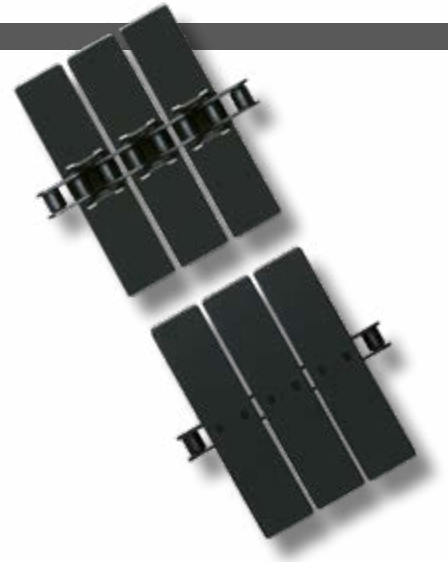
3/4" PITCH ROLLER CHAIN (ASA 60)

BIDIRECTIONAL

THICKNESS 3 mm (0.118")

HINGE 27 mm (1.063")

POWERED
BY BASE ROLLER
CHAIN MADE
BY REGINA
IN ITALY



Materials
see page 12



Sprockets
see page 153



Applications
see page 20

MATERIALS		ITEM DESCRIPTION	PART NUMBER	CONNECTING LINK PART NUMBER	WIDTH W		WORKING LOAD (25°C/77°F)		WEIGHT	
Flight	Base Chain				mm	inch	N	lbs	kg/m	lbs/ft
CARBON STEEL 	CARBON STEEL 	1864 K 3 1/4	1864KD/000	18/0864	82,6	3.25	5500	1,236	4,00	2.69
		1864 K 4 1/2	1864KG/000		114,3	4.50	5500	1,236	4,73	3.18
		1864 K 6	1864KH/000		152,4	6.00	5500	1,236	5,60	3.76
		1864 K 7 1/2	1864KL/000		190,5	7.50	5500	1,236	6,16	4.14
STAINLESS STEEL 	STAINLESS STEEL 	SS 1864 K 3 1/4	1864SSKD/000	18/SS864AB	82,6	3.25	4500	1,012	3,94	2.65
		SS 1864 K 4 1/2	1864SSKG/000		114,3	4.50	4500	1,012	4,67	3.14
		SS 1864 K 6	1864SSKH/000		152,4	6.00	4500	1,012	5,33	3.58
		SS 1864 K 7 1/2	1864SSKL/000		190,5	7.50	4500	1,012	6,09	4.10

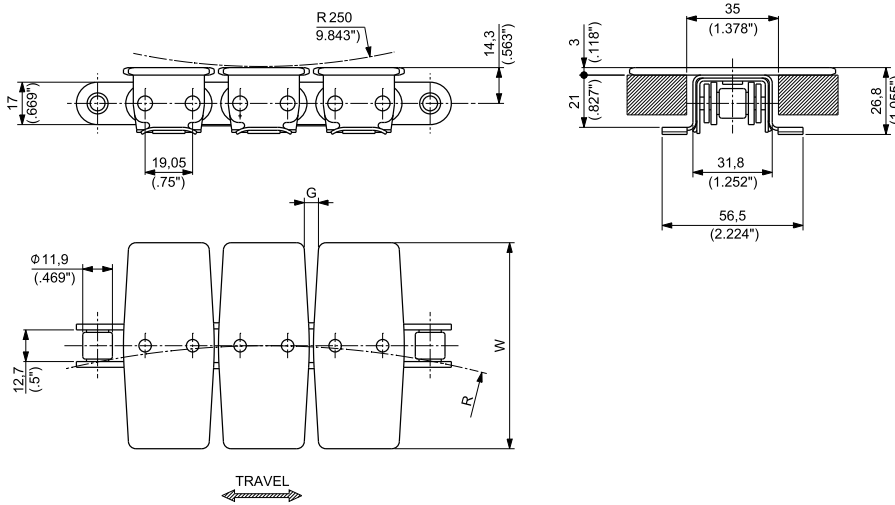


Standard packaging:
Rolls of 3,048 m (10 feet)



TAB
STEEL FLIGHTS
3/4" PITCH ROLLER CHAIN (ASA 60 SIDEBOW)
BIDIRECTIONAL
THICKNESS 3 mm (0.118")
HINGE 31,8 mm (1.252")
1874T: FLIGHT GAP 8,2 mm
1874TM: REDUCED FLIGHT GAP 5,7 mm

POWERED
 BY BASE ROLLER
 CHAIN MADE
 BY REGINA
 IN ITALY



Materials
 see page 12



Sprockets
 see pages 153



Corner tracks
 see page 322



Applications
 see page 20

1874T

MATERIALS		ITEM DESCRIPTION	PART NUMBER	CONNECTING LINK PART NUMBER	WIDTH W		STRAIGHT RUNNING GAP G		SIDEFLEXING RADIUS R		WORKING LOAD (25°C/77°F)		WEIGHT	
Flight	Base Chain				mm	inch	mm	inch	mm	inch	N	lbs	kg/m	lbs/ft
CARBON STEEL s	CARBON STEEL	1874T K 3 1/4	1874TKD/000	18/0873	82,6	3.25	8,2	0.323	381,0	15	4500	1,012	4,21	2.83
		1874T K 4 1/2	1874TKG/000		114,3	4.50	8,2	0.323	381,0	15	4500	1,012	4,80	3.22
		1874T K 6	1874TKH/000		152,4	6.00	8,2	0.323	457,2	18	4500	1,012	5,59	3.75
		1874T K 7 1/2	1874TKL/000		190,5	7.50	8,2	0.323	609,6	24	4500	1,012	6,31	4.24
STAINLESS STEEL ss	STAINLESS STEEL	SS 1874T K 3 1/4	1874TSSKD/000	18/SS873AB	82,6	3.25	8,2	0.323	381,0	15	3500	787	4,13	2.78
		SS 1874T K 4 1/2	1874TSSKG/000		114,3	4.50	8,2	0.323	381,0	15	3500	787	4,72	3.17
		SS 1874T K 6	1874TSSKH/000		152,4	6.00	8,2	0.323	457,2	18	3500	787	5,51	3.70
		SS 1874T K 7 1/2	1874TSSKL/000		190,5	7.50	8,2	0.323	609,6	24	3500	787	6,22	4.18

1874TM

MATERIALS		ITEM DESCRIPTION	PART NUMBER	CONNECTING LINK PART NUMBER	WIDTH W		STRAIGHT RUNNING GAP G		SIDEFLEXING RADIUS R		WORKING LOAD (25°C/77°F)		WEIGHT	
Flight	Base Chain				mm	inch	mm	inch	mm	inch	N	lbs	kg/m	lbs/ft
CARBON STEEL s	CARBON STEEL	1874TM K 4 1/2	1874MLKG/000	18/0873	114,3	4.50	5,7	0.224	609,6	24	4500	1012	4,80	3.22



Standard packaging:
 Rolls of 3,048 m (10 feet)

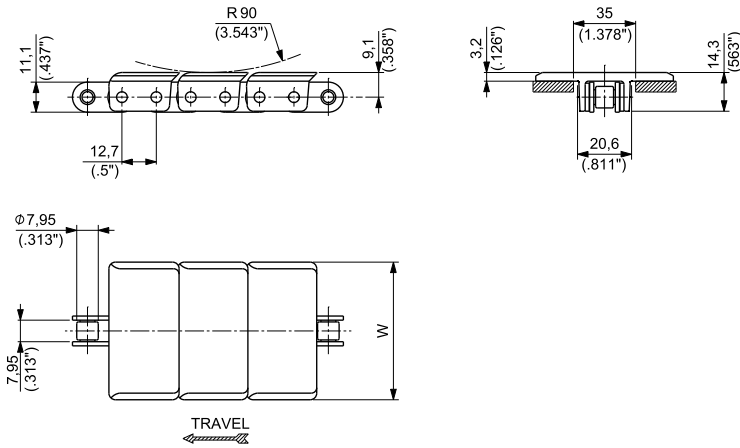
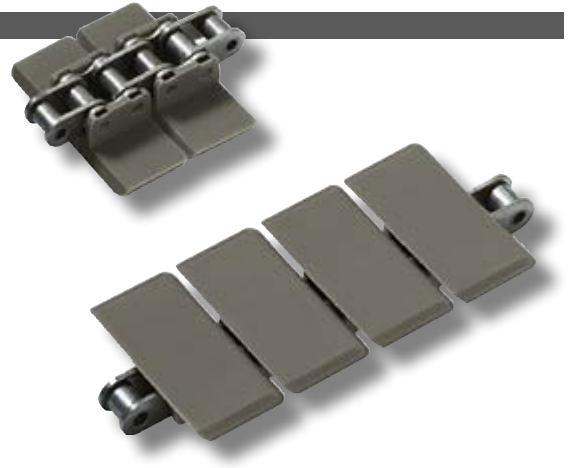
PLASTIC FLIGHTS

½" PITCH ROLLER CHAIN (ASA 40)

THICKNESS 3.2 mm (0.126")

HINGE 20,6 mm (0.811")

POWERED
BY BASE ROLLER
CHAIN MADE
BY REGINA
IN ITALY



Materials
see page 12



Sprockets
see page 152



Applications
see page 20

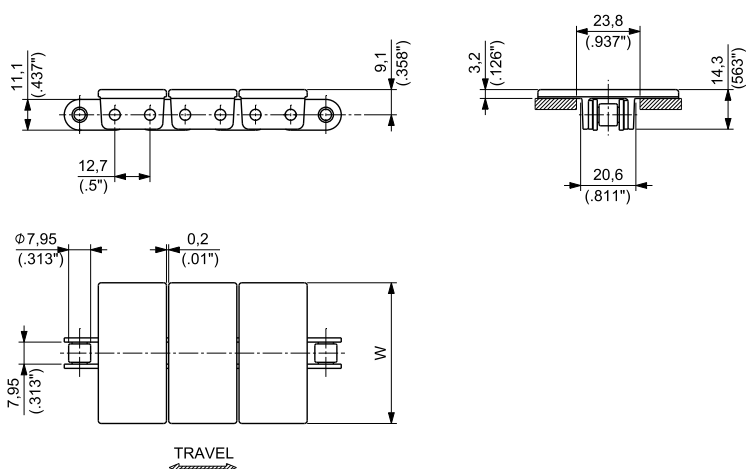
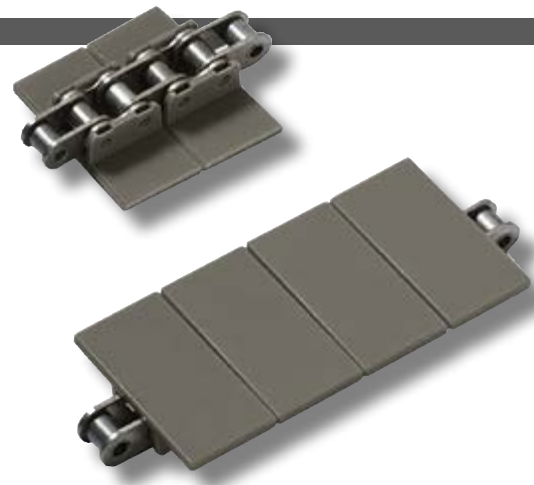
MATERIALS		ITEM DESCRIPTION	PART NUMBER	CONNECTING LINK PART NUMBER	WIDTH W		WORKING LOAD (25°C/77°F)		WEIGHT		
Flight	Base Chain				mm	inch	N	lbs	kg/m	lbs/ft	
ULTRA PERFORMANCE HOMOPLYMER DELRIN® UP	CARBON STEEL	UP 843 K 1 ¾	UP843KA/000	18/0843	34,9	1.37	3500	787	0,65	0.43	
		UP 843 K 2	UP843KB/000		50,8	2.00	3500	787	0,71	0.48	
	UP 843 K 3 ¼	UP843KD/000	82,6		3.25	3500	787	0,84	0.57		
	STAINLESS STEEL	UP 843 SS K 1 ¾	UP843SKA/000		18/SS843AB	34,9	1.37	2700	607	0,84	0.56
		UP 843 SS K 2	UP843SKB/000			50,8	2.00	2700	607	0,90	0.61
UP 843 SS K 3 ¼		UP843SKD/000	82,6	3.25		2700	607	1,03	0.69		



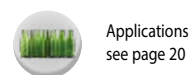
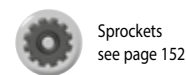
Standard packaging:
Rolls of 3,048 m (10 feet)

PLASTIC FLIGHTS
1/2" PITCH ROLLER CHAIN (ASA 40)
BIDIRECTIONAL
THICKNESS 3.2 mm (0.126")
HINGE 20,6 mm (0.811")

**POWERED
 BY BASE ROLLER
 CHAIN MADE
 BY REGINA
 IN ITALY**



FliteTop



MATERIALS		ITEM DESCRIPTION	PART NUMBER	CONNECTING LINK PART NUMBER	WIDTH W		WORKING LOAD (25°C/77°F)		WEIGHT		
Flight	Base Chain				mm	inch	N	lbs	kg/m	lbs/ft	
ULTRA PERFORMANCE HOMOPOLYMER DELRIN®	CARBON STEEL	UP 845 K 1 3/8	UP845KA/000	18/0843	34,9	1.37	3500	787	0,66	0.44	
		UP 845 K 40	UP845KP/000		40,0	1.57	3500	787	0,69	0.46	
		UP 845 K 2	UP845KB/000		50,8	2.00	3500	787	0,73	0.49	
UP	STAINLESS STEEL	UP 845 SS K 1 3/8	UP845SKA/000	18/SS843AB	34,9	1.37	2700	607	0,85	0.57	
			UP 845 SS K 40		UP845SKP/000	40,0	1.57	2700	607	0,88	0.59
			UP 845 SS K 2		UP845SKB/000	50,8	2.00	2700	607	0,92	0.62

Standard packaging:
 Rolls of 3,048 m (10 feet)

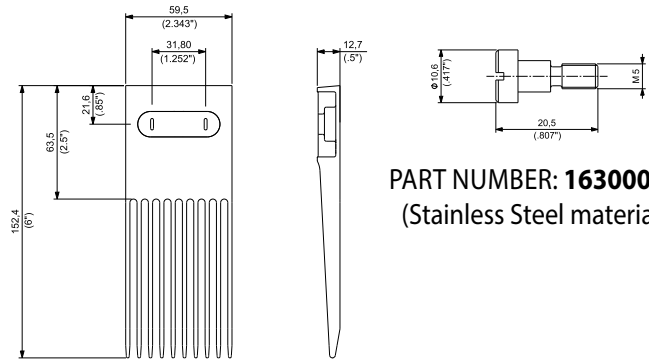
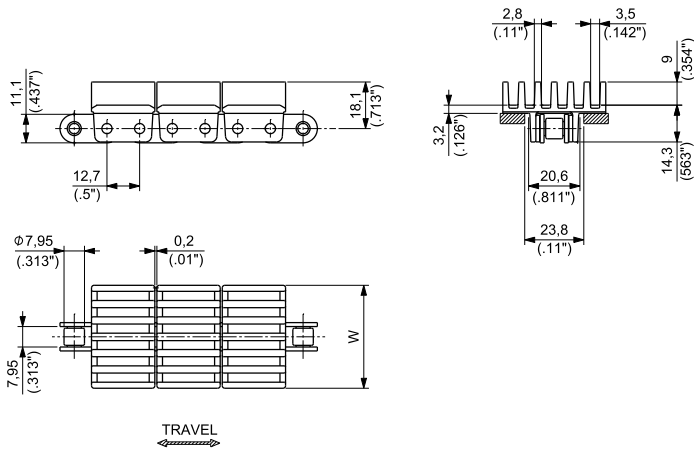
PLASTIC FLIGHTS
½" PITCH ROLLER CHAIN (ASA 40)
BIDIRECTIONAL
RAISED RIB
THICKNESS 12,2 mm (0.480")
HINGE 20,6 mm (0.811")

POWERED
 BY BASE ROLLER
 CHAIN MADE
 BY REGINA
 IN ITALY



TRANSFER COMB

The comb is supplied with slot cover but without fastening screws. One fastening screw is required for each comb. It can be ordered using P/N 16300005.



PART NUMBER: 16300005
 (Stainless Steel material)

PART NUMBER: TC845-01
 (Acetal Resin material)



Materials
 see page 12



Sprockets
 see page 152



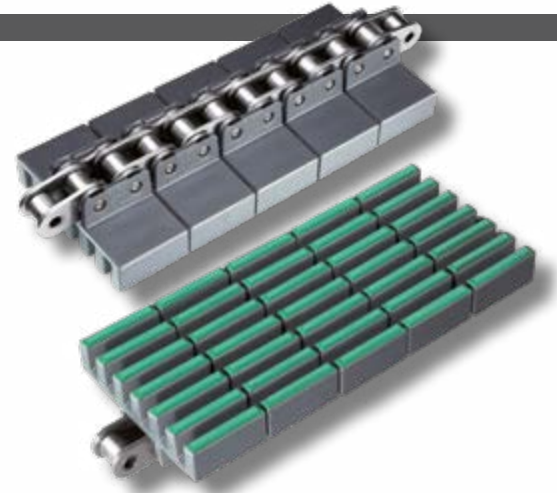
Applications
 see page 20

MATERIALS		ITEM DESCRIPTION	PART NUMBER	CONNECTING LINK PART NUMBER	WIDTH W		WORKING LOAD (25°C/77°F)		WEIGHT	
Flight	Base Chain				mm	inch	N	lbs	kg/m	lbs/ft
ULTRA PERFORMANCE HOMOPOLYMER DELRIN® UP	CHEMICALLY NICKEL CARBON STEEL (NC) 	RR 845 UP NC K 40	R845UPCKP/000	18/843-003	40,0	1.57	3500	787	0,94	0.63
		RR 845 UP NC K 53,6	R845UPCKZA/000		53,6	2.11	3500	787	1,02	0.69

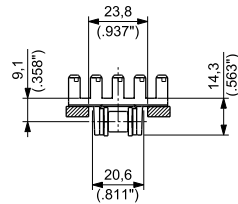
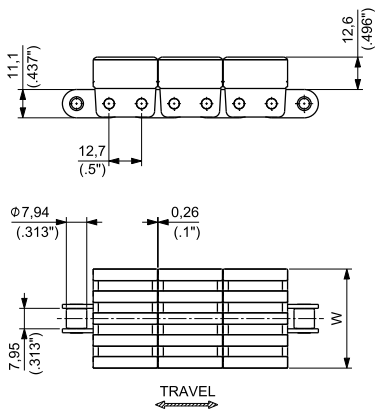


Standard packaging:
 Rolls of 3,048 m (10 feet)

PLASTIC FLIGHTS
1/2" PITCH ROLLER CHAIN (ASA 40)
BIDIRECTIONAL
RUBBERIZED RAISED RIB
THICKNESS 12,6 mm (0.496")
HINGE 20,6 mm (0.811")



POWERED
 BY BASE ROLLER
 CHAIN MADE
 BY REGINA
 IN ITALY



FliteTop



Materials
 see page 12



Combs
 see pages 81



Sprockets
 see page 152



Applications
 see page 20

Flight	MATERIALS		ITEM DESCRIPTION	PART NUMBER	CONNECTING LINK PART NUMBER	WIDTH W		WORKING LOAD (25°C/77°F)		WEIGHT	
	Base Chain	Rubber				mm	Inch	N	lbs	kg/m	lbs/ft
SPECIAL POLIPROPYLENE PP	CHEMICALLY NICKEL CARBON STEEL (NC) 	THERMOPLASTIC TPE Hardness: 50 Sha	HF RR 845 PP NC K 38,5	HFR845PPCKMB/000	18/843-003	38,5	1.57	3500	787	0,97	0.65
			HF RR 845 PP NC K 55,5	HFR845PPCKCC/000		55,5	2.11	3500	787	1,09	0.73



Standard packaging:
 Rolls of 3,048 m (10 feet)

TRANSFER COMBS

Combs are supplied with slot covers but without fastening screws.
One fastening screw is required for each comb.
It can be ordered using P/N 16300020.



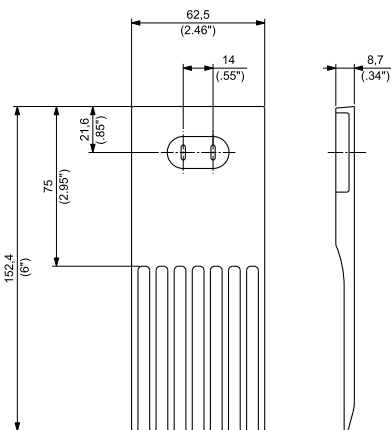
MATERIALS

COMBS: **DG** ACETAL RESIN

SCREWS*: **SS** STAINLESS STEEL

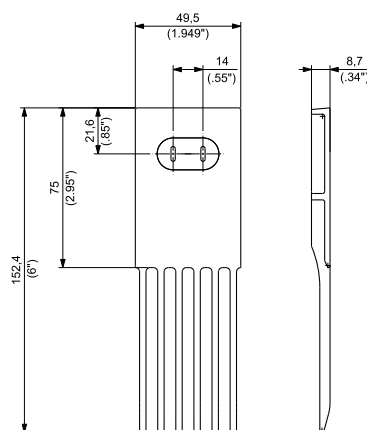
*Screws are not included in the combs.

COMB FOR K 55,5 CHAIN

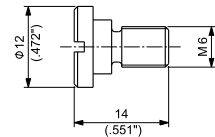


PART NUMBER **TC1600-01**

COMB FOR K 38,5 CHAIN



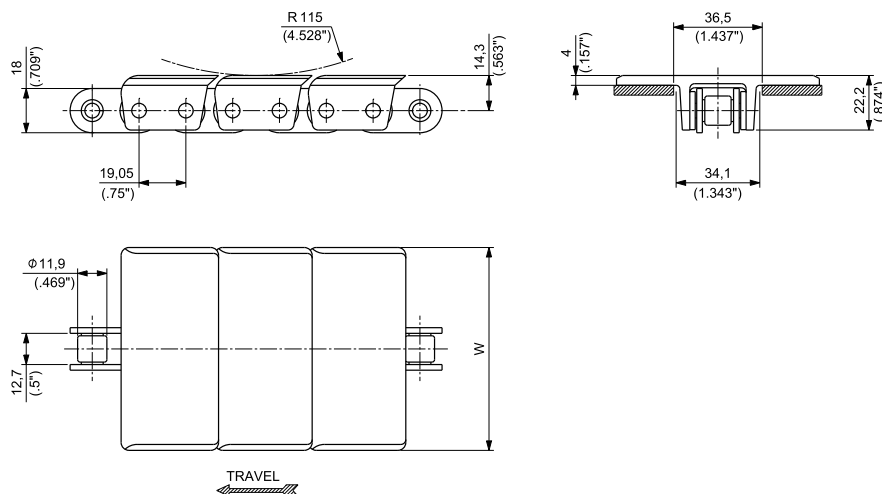
PART NUMBER **TC1600-03**



PART NUMBER **16300020**

PLASTIC FLIGHTS
3/4" PITCH ROLLER CHAIN
THICKNESS 4 mm (0.157")
HINGE 34,1 mm (1.343")

POWERED BY BASE ROLLER CHAIN MADE BY REGINA IN ITALY



FliteTop



Materials see page 12



Sprockets see page 153



Applications see page 20

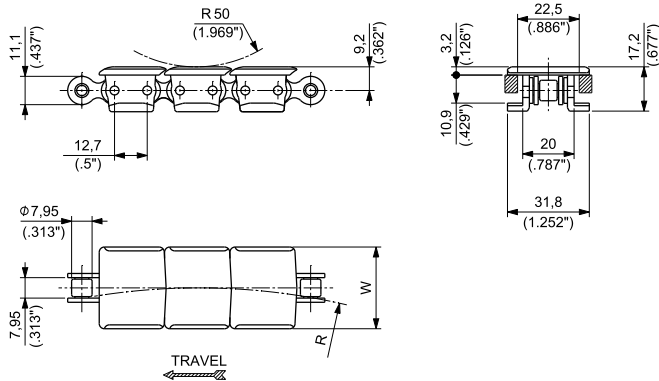
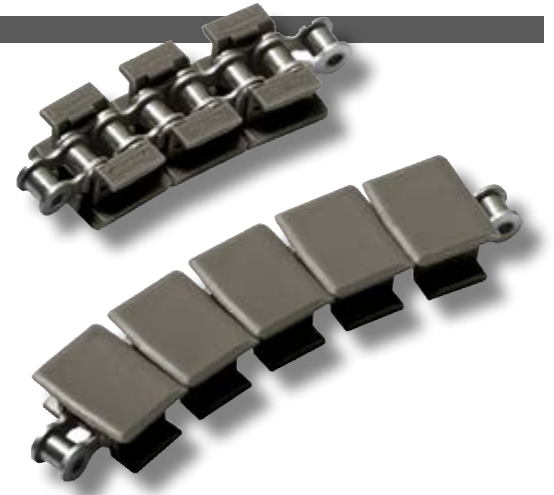
MATERIALS		ITEM DESCRIPTION	PART NUMBER	CONNECTING LINK PART NUMBER	WIDTH W		WORKING LOAD (25°C/77°F)		WEIGHT	
Flight	Base Chain				mm	inch	N	lbs	kg/m	lbs/ft
ULTRA PERFORMANCE HOMOPOLYMER DELRIN® UP	CARBON STEEL	UP 863 K 3 1/4	UP863KD/000	18/0863	82,6	3.25	5000	1124	2,21	1.48
		UP 863 K 4 1/2	UP863KG/000		114,3	4.50	5000	1124	2,38	1.60
		UP 863 K 6	UP863KH/000		152,4	6.00	5000	1124	2,58	1.73
		UP 863 K 7 1/2	UP863KL/000		190,5	7.50	5000	1124	2,78	1.87
	STAINLESS STEEL	UP 863 SS K 3 1/4	UP863SKD/000	18/SS863AB	82,6	3.25	4000	899	2,16	1.45
		UP 863 SS K 4 1/2	UP863SKG/000		114,3	4.50	4000	899	2,33	1.57
UP 863 SS K 6		UP863SKH/000	152,4		6.00	4000	899	2,53	1.70	
		UP 863 SS K 7 1/2	UP863SKL/000		190,5	7.50	4000	899	2,73	1.84



Standard packaging:
Rolls of 3,048 m (10 feet)

TAB
PLASTIC FLIGHTS
½" PITCH ROLLER CHAIN
THICKNESS 3.2 mm (0.126")
HINGE 20 mm (0.787")

POWERED
 BY BASE ROLLER
 CHAIN MADE
 BY REGINA
 IN ITALY



Materials
 see page 12



Sprockets
 see pages 152



Corner tracks
 see page 322



Applications
 see page 20

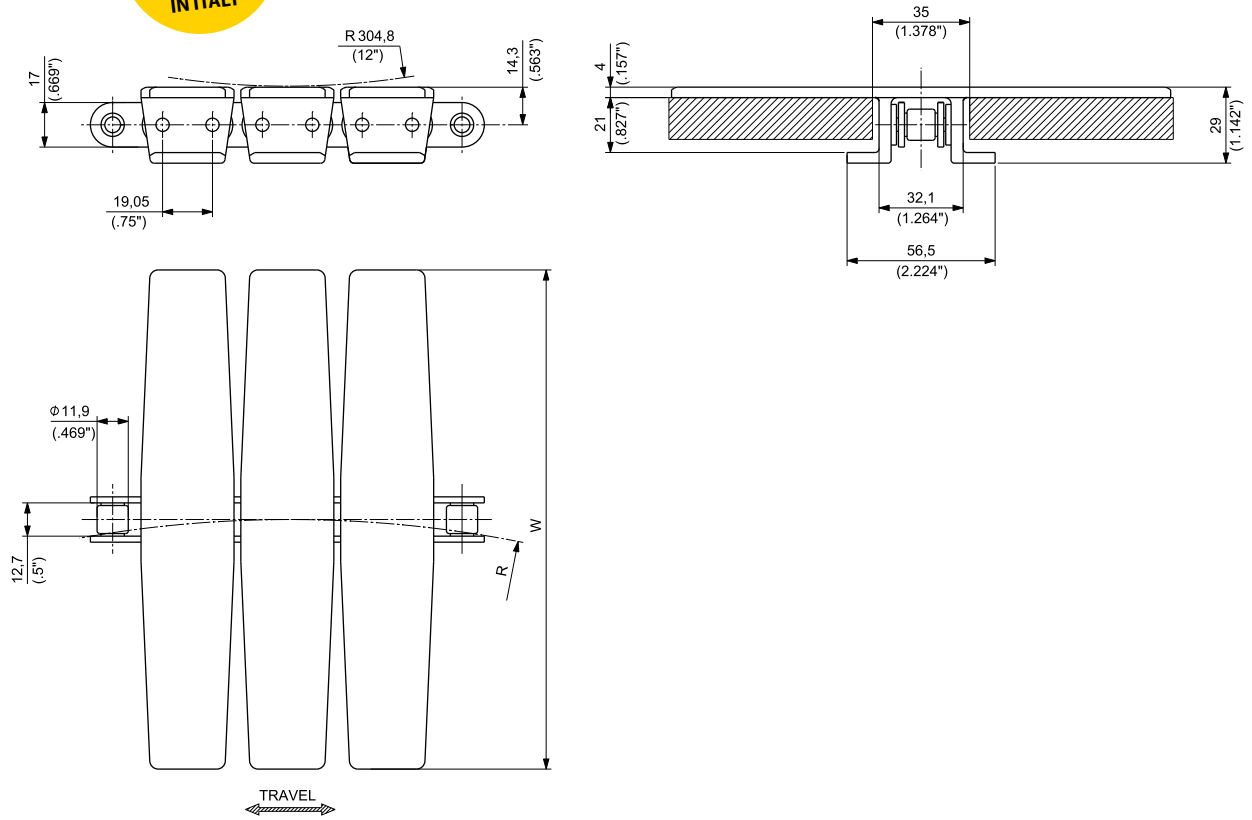
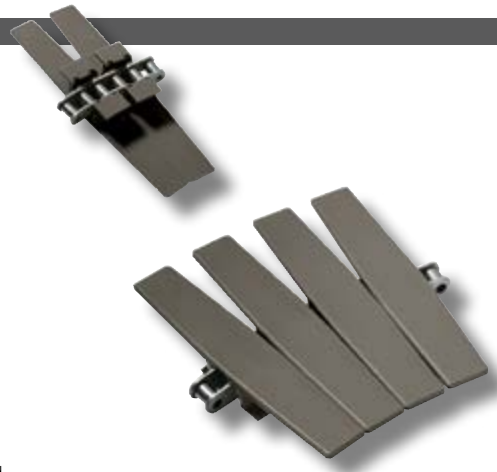
MATERIALS		ITEM DESCRIPTION	PART NUMBER	CONNECTING LINK PART NUMBER	WIDTH W		SIDEFLEXING RADIUS R		WORKING LOAD (25°C/77°F)		WEIGHT	
Flight	Base Chain				mm	inch	mm	inch	N	lbs	kg/m	lbs/ft
ULTRA PERFORMANCE HOMOPOLYMER DELRIN® UP	CARBON STEEL 	UP 1843T K 1 ¼	UP1843KPA/000	18/1843	31,8	1.25	254	10	2600	584	0,80	0.54
	STAINLESS STEEL 	UP 1843T SS K 1 ¼	UP1843SKPA/000	18/SS1843	31,8	1.25	254	10	2000	450	0,82	0.55
ABRASION RESISTANT POLYAMIDE AR	CARBON STEEL 	AR 1843T K 1 ¼	AR1843KPA/000	18/1843	31,8	1.25	254	10	2600	584	0,80	0.54



Standard packaging:
 Rolls of 3,048 m (10 feet)

TAB
PLASTIC FLIGHTS
3/4" PITCH ROLLER CHAIN
BIDIRECTIONAL
THICKNESS 4 mm (0.157")
HINGE 32,1 mm (1.264")

POWERED BY BASE ROLLER CHAIN MADE BY REGINA IN ITALY



FliteTop



Materials see page 12



Sprockets see pages 153



Corner tracks see page 322



Applications see page 20

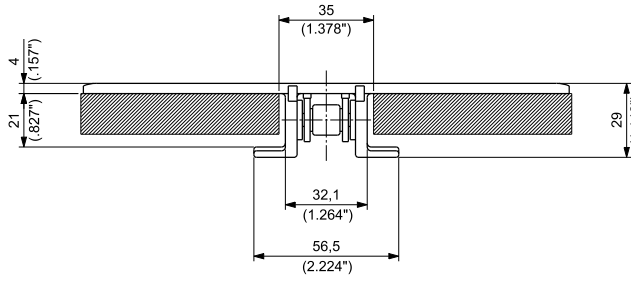
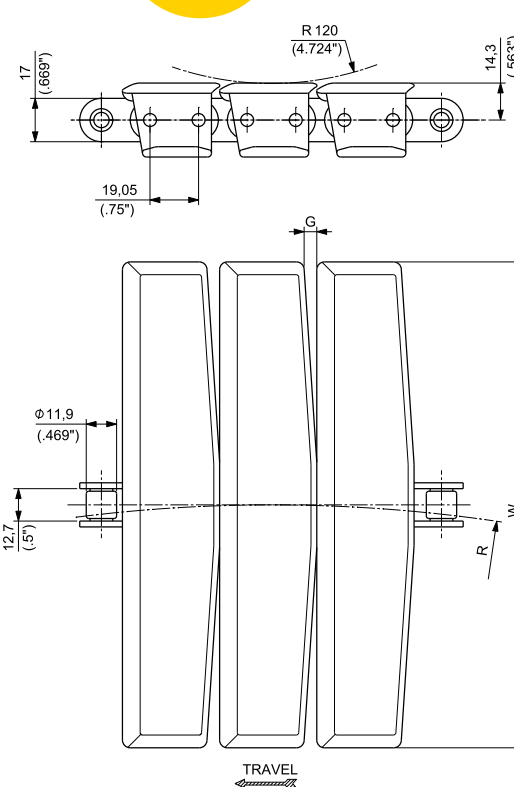
MATERIALS		ITEM DESCRIPTION	PART NUMBER	CONNECTING LINK PART NUMBER	WIDTH W		SIDEFLEXING RADIUS		WORKING LOAD (25°C/77°F)		WEIGHT		
Flight	Base Chain				mm	inch	mm	R inch	N	lbs	kg/m	lbs/ft	
ULTRA PERFORMANCE HOMOPOLYMER DELRIN®	CARBON STEEL	UP 1873T K 3 1/4	UP1873KD/000	18/0873	82,6	3.25	355,6	14	4500	1,012	2,31	1.55	
		UP 1873T K 4 1/2	UP1873KG/000		114,3	4.50	355,6	14	4500	1,012	2,39	1.60	
		UP 1873T K 6	UP1873KH/000		152,4	6.00	457,2	18	4500	1,012	2,57	1.73	
		UP 1873T K 7 1/2	UP1873KL/000		190,5	7.50	457,2	18	4500	1,012	2,86	1.92	
		UP 1873T K 10	UP1873KM/000		254,0	10.00	457,2	18	4500	1,012	2,99	2.01	
		UP 1873T K 12	UP1873KN/000		304,8	12.00	609,6	24	4500	1,012	3,15	2.12	
	STAINLESS STEEL	UP	UP 1873T SS K 3 1/4	UP1873SKD/000	18/SS873AB	82,6	3.25	355,6	14	3500	787	2,25	1.51
			UP 1873T SS K 4 1/2	UP1873SKG/000		114,3	4.50	355,6	14	3500	787	2,33	1.57
			UP 1873T SS K 6	UP1873SKH/000		152,4	6.00	457,2	18	3500	787	2,52	1.69
			UP 1873T SS K 7 1/2	UP1873SKL/000		190,5	7.50	457,2	18	3500	787	2,80	1.88
			UP 1873T SS K 10	UP1873SKM/000		254,0	10.00	457,2	18	3500	787	2,94	1.97
			UP 1873T SS K 12	UP1873SKN/000		304,8	12.00	609,6	24	3500	787	3,09	2.08



Standard packaging: Rolls of 3,048 m (10 feet)

TAB
PLASTIC FLIGHTS
3/4" PITCH ROLLER CHAIN
REDUCED FLIGHT GAP
THICKNESS 4 mm (0.157")
HINGE 32,1 mm (1.264")

POWERED BY BASE ROLLER CHAIN MADE BY REGINA IN ITALY



Gap comparison between 1863T and 1873T series

1863T							1873T						
CHAIN WIDTH	SIDEFLEXING RADIUS R	SIDEFLEXING GAP G	STRAIGHT RUNNING GAP				CHAIN WIDTH	SIDEFLEXING RADIUS R	SIDEFLEXING GAP G	STRAIGHT RUNNING GAP			
	mm	inch	mm	inch	mm	inch		mm	inch	mm	inch	mm	inch
3 1/4	400,0	15,75	3,2	0,126	0	0	3 1/4	355,6	14	10,5	0,413	5,2	0,205
4 1/2	457,2	18	5,8	0,228	1,3	0,051	4 1/2	355,6	14	13,5	0,531	6,7	0,264
7 1/2	609,6	24	8,6	0,339	2,7	0,106	7 1/2	457,2	18	17,5	0,689	8,7	0,343
12	609,6	24	15,6	0,614	6,2	0,244	12	609,6	24	21,0	0,827	10,5	0,413

- Materials see page 12
- Sprockets see page 153
- Corner tracks see page 322
- Applications see page 20

MATERIALS		ITEM DESCRIPTION	PART NUMBER	CONNECTING LINK PART NUMBER	WIDTH W		SIDEFLEXING RADIUS R		WORKING LOAD (25°C/77°F)		WEIGHT	
Flight	Base Chain				mm	inch	mm	inch	N	lbs	kg/m	lbs/ft
ULTRA PERFORMANCE HOMOPOLYMER DELRIN® UP	CARBON STEEL	UP 1863T K 2 1/4	UP1863KS/000	18/0873	57,1	2.25	457,2	18.00	4500	1,012	2,04	1.37
		UP 1863T K 3 1/4	UP1863KD/000		82,6	3.25	457,2	18.00	4500	1,012	2,17	1.46
		UP 1863T K 4 1/2	UP1863KG/000		114,3	4.50	457,2	18.00	4500	1,012	2,32	1.56
		UP 1863T K 7 1/2	UP1863KL/000		190,5	7.50	609,6	24.00	4500	1,012	2,68	1.80
		UP 1863T K 12	UP1863KN/000		304,8	12.00	609,6	24.00	4500	1,012	3,16	2.13
ABRASION RESISTANT POLYAMIDE (1)	CARBON STEEL	UP 1863T K 16	UP1863KJ/000		406,4	16.00	750,0	29.53	4500	1,012	3,53	2.37
		AR 1863T K 3 1/4	AR1863KD/000		82,6	3.25	400,0	15.75	4500	1,012	2,12	1.42
ULTRA PERFORMANCE HOMOPOLYMER DELRIN® UP	STAINLESS STEEL	AR 1863T K 4 1/2	AR1863KG/000		114,3	4.50	457,2	18.00	4500	1,012	2,24	1.50
		UP 1863T SS K 2 1/4	UP1863SKS/000	18/SS873AB	57,1	2.25	457,2	18.00	3500	787	1,99	1.34
		UP 1863T SS K 3 1/4	UP1863SKD/000		82,6	3.25	457,2	18.00	3500	787	2,11	1.42
		UP 1863T SS K 4 1/2	UP1863SKG/000		114,3	4.50	457,2	18.00	3500	787	2,27	1.52
		UP 1863T SS K 7 1/2	UP1863SKL/000		190,5	7.50	609,6	24.00	3500	787	2,63	1.76
UP 1863T SS K 12	UP1863SKN/000	304,8	12.00		609,6	24.00	3500	787	3,11	2.09		
		UP 1863T SS K 16	UP1863SKJ/000		406,4	16.00	750,0	29.53	3500	787	3,47	2.33

(1) ACTUAL WIDTH CAN BE UP TO 0,5% GREATER THAN NOMINAL WIDTH

Standard packaging: Rolls of 3,048 m (10 feet)

PLASTIC FLIGHTS

1" PITCH ROLLER CHAIN WITH INTEGRATED BEARINGS

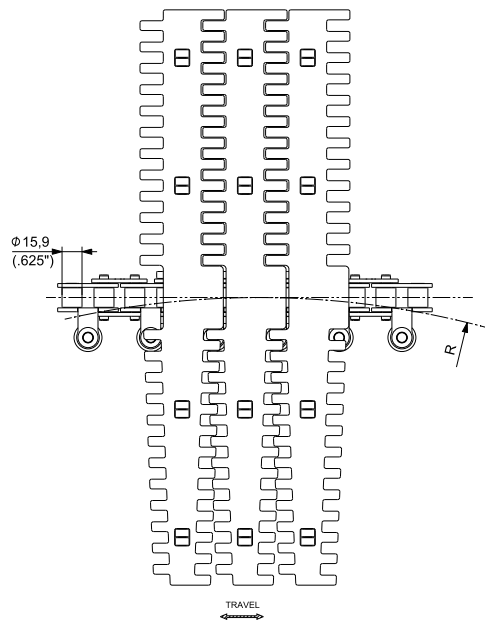
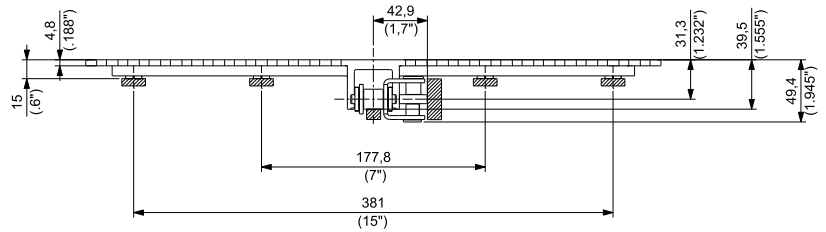
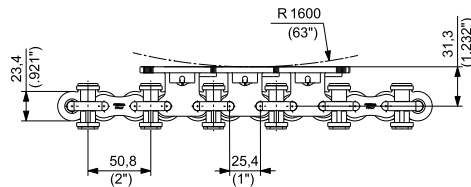
THICKNESS 4,8 mm (0.189")

HINGE 41,3 mm (1.626")

NEW



POWERED BY BASE ROLLER
CHAIN MADE BY REGINA
IN ITALY



FliteTop



Materials see page 12



Sprockets see page 154



Applications see page 20

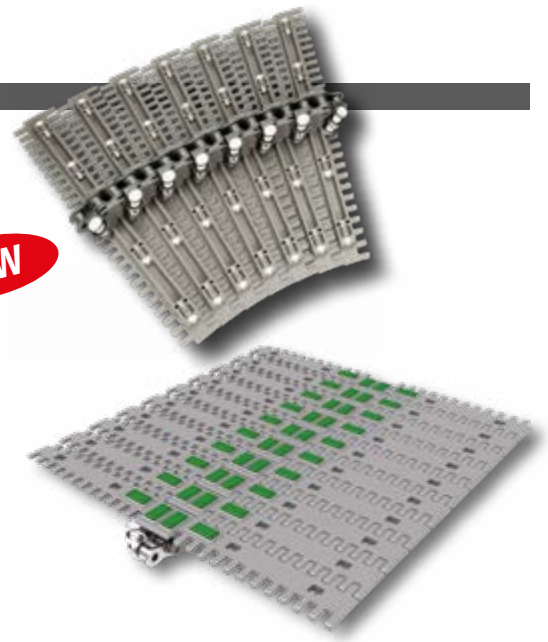
MATERIALS		ITEM DESCRIPTION	PART NUMBER	CONNECTING LINK PART NUMBER	WIDTH W		SIDEFLEXING RADIUS R		WORKING LOAD (25°C/77°F)		WEIGHT	
Flight	Base Chain				mm	inch	mm	inch	N	lbs	kg/m	lbs/ft
ULTRA PERFORMANCE HOMOPOLYMER DELRIN®	CARBON STEEL	UP 1883 K 18	UP1883KZB/000	18/80SB-007	457,2	18	650	25.59	6500	1,461	7,30	4,91
UP												



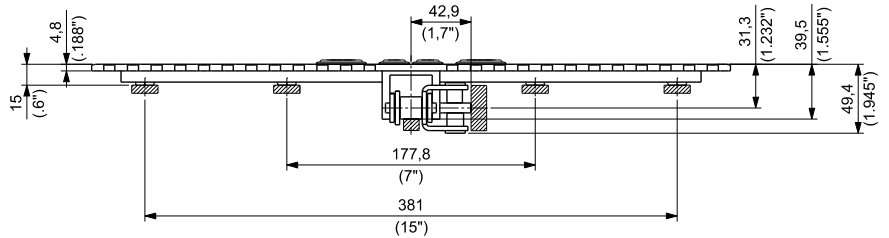
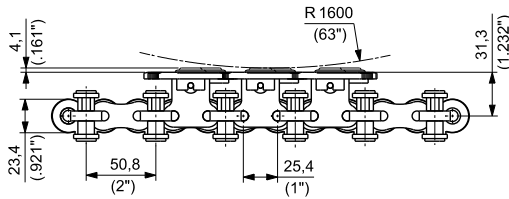
Standard packaging:
Rolls of 1,524 m (5 feet)

RUBBERIZED TOP PLASTIC FLIGHTS
1" PITCH ROLLER CHAIN WITH INTEGRATED BEARINGS
THICKNESS 4,8 mm (0.189")
HINGE 41,3 mm (1.626")

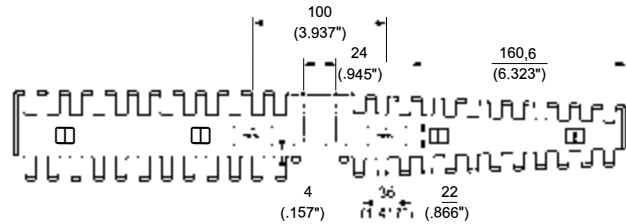
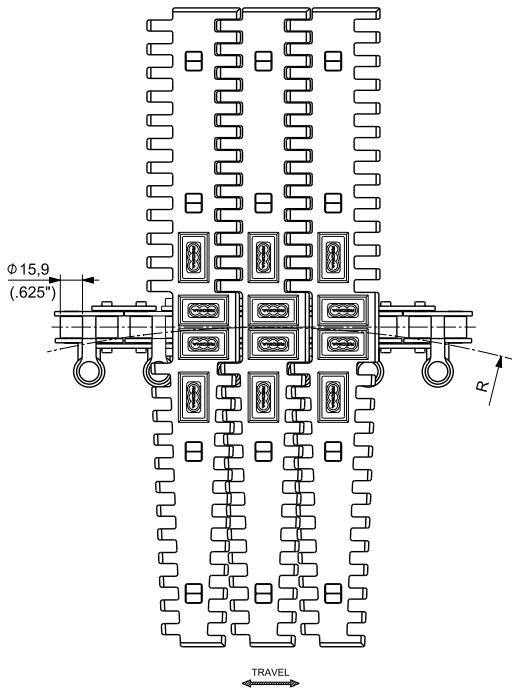
NEW



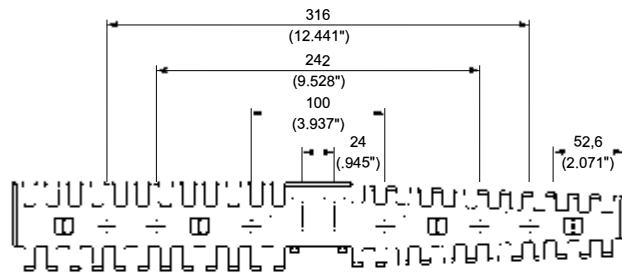
POWERED BY BASE ROLLER CHAIN MADE BY REGINA IN ITALY



4- RUBBER PAD VERSION



8- RUBBER PAD VERSION



Materials see page 12



Sprockets see page 154



Applications see page 20

Flight	MATERIALS		ITEM DESCRIPTION	PART NUMBER	CONNECTING LINK	WIDTH W		SIDEFLEXING RADIUS R		WORKING LOAD (25°C/77°F)		WEIGHT	
	Base Chain	Rubber				mm	inch	mm	inch	N	lbs	kg/m	lbs/ft
UP	ULTRA PERFORMANCE HOMOPOLYMER DELRIN® CARBON STEEL	THERMOPLASTIC TPE	HFX 1883 UP K 18 (4-Rubber pad version)	HFX1883UPKZB/000	18/80SB-007	457,2	18	650	25.59	6500	1,461	7,54	5.08
		Hardness: 70 Sha	HFX 1883 UP K 18 (8-Rubber pad version)	HFX1883UPKZB/001	18/80SB-007	457,2	18	650	25.59	6500	1,461	7,75	5.22

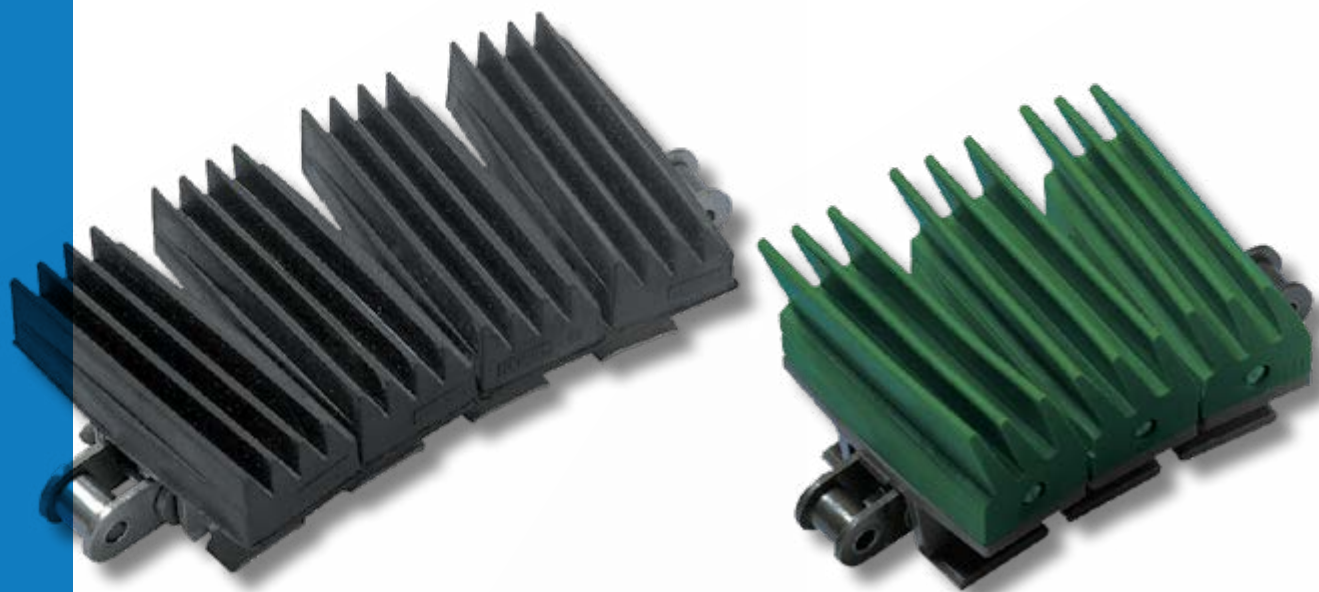


Standard packaging: Rolls of 1,524 m (5 feet)



PERFORMANCE IN MOTION

FliteTop[®] Gripper Chains



INDUSTRIES AND APPLICATIONS

GRIPPER CHAINS

Suitable for handling plastic and glass bottles, aluminum and steel cans through an elevated path.

INDUSTRIES

Bottling and canning
Glass manufacturing
Container manufacturing
Food filling

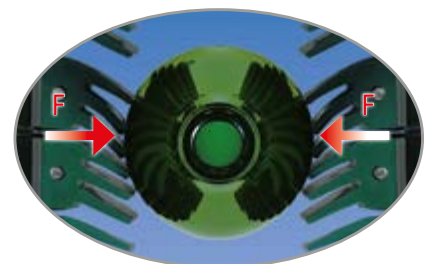
APPLICATIONS

Elevator
Lowerator
Pass through conveyors
Rinsers



FEATURES

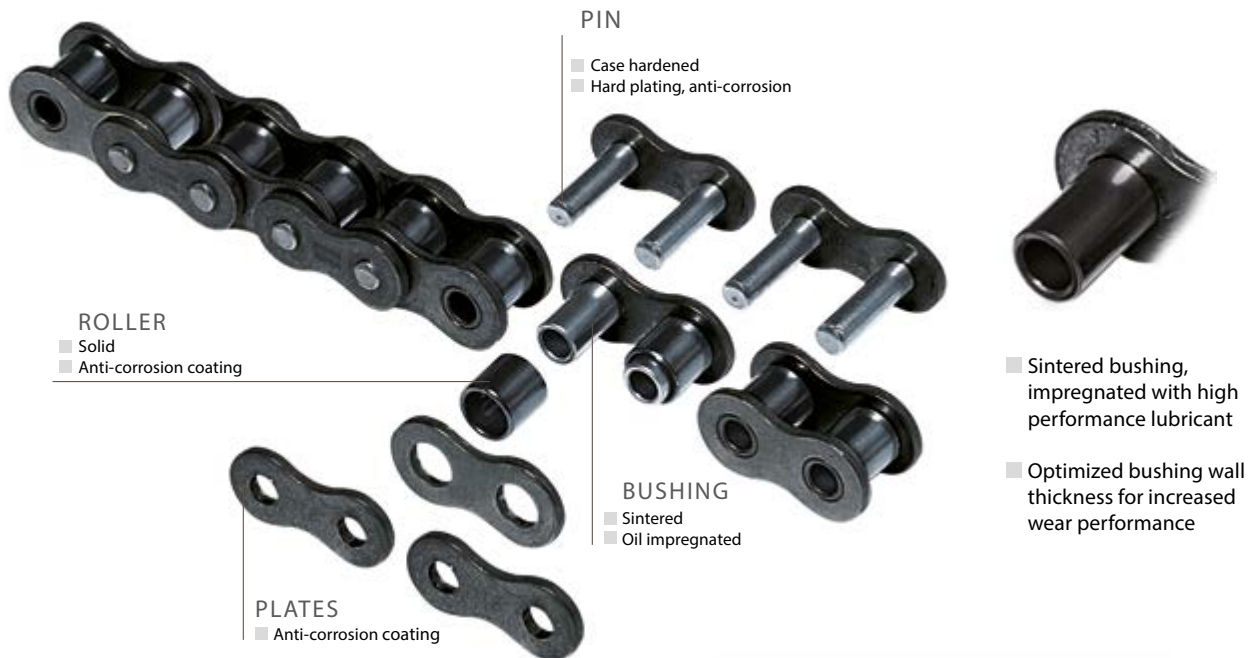
- Powered by ASA 40 and ASA 60 base roller chains made by REGINA in Italy. In particular:
 - Stainless steel chain prelubricated with high performance lube suitable for the food industry (USDA H1 approved) which guarantees long-lasting effect for the chain.
 - ENDURO maintenance free chain that eliminates need for periodic lubrication.
- Wide range of rubber pads exerting an ideal and fine-tuned force on the products for each specific application.
- Reliable fixing system of gripper to the flight by knurled austenitic stainless steel pin.



Available with ENDURO maintenance free base chains.



- "Heavy wall" sintered bushing, impregnated with USDA H1 food approved oil
- Hard plated pin
- Galvanically coated plates and rollers for resistance to mildly aggressive environment

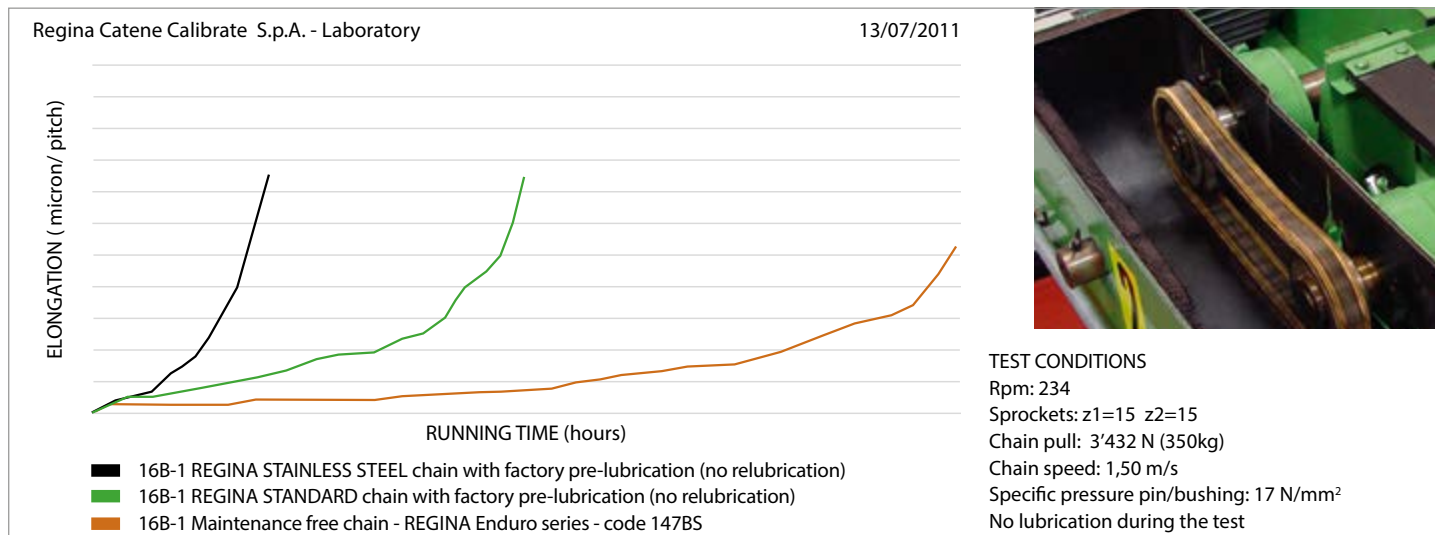


BENEFITS

- DRAMATIC WEAR LIFE INCREASE COMPARED TO STANDARD CHAINS IN UN-LUBRICATED CONDITIONS
- ELIMINATE NEED FOR PERIODIC LUBRICATION
- NO PRODUCT OR EQUIPMENT CONTAMINATION
- RESISTANCE TO CORROSION IN MILDLY AGGRESSIVE ENVIRONMENT
- SAVINGS IN LUBRICATION AND MAINTENANCE COSTS

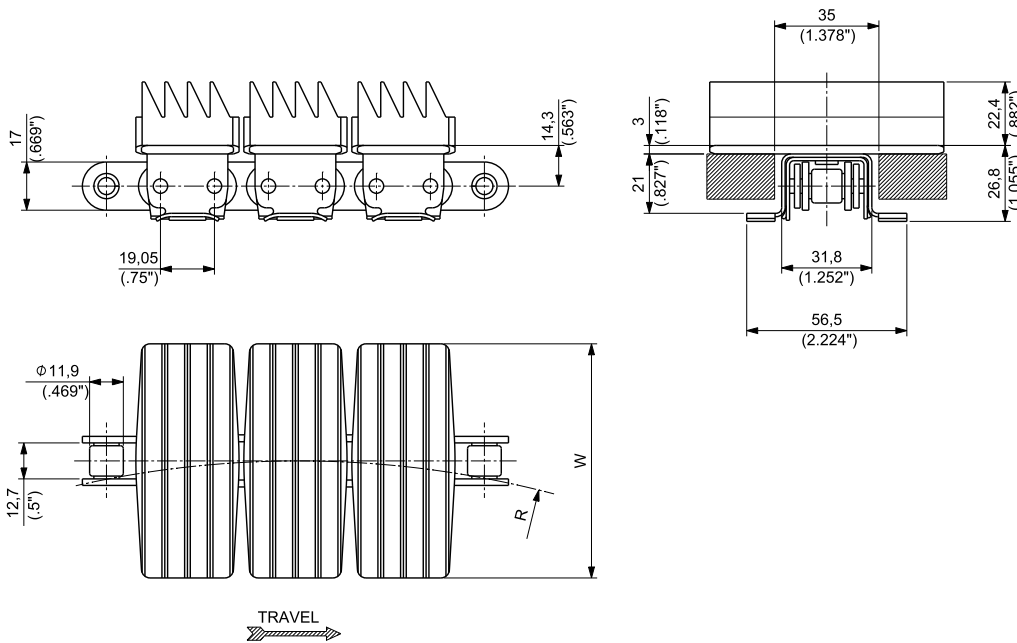


Comparative wear test - 16B-1 chains with sintered bushings.



TAB STEEL FLIGHTS
3/4" PITCH ROLLER CHAIN
SHORT FINGERS RUBBER PAD
THICKNESS 3 mm (0.118")
HINGE 31,8 mm (1.252")

POWERED
 BY BASE ROLLER
 CHAIN MADE
 BY REGINA
 IN ITALY



Materials
 see page 12



Sprockets
 see page 153



Corner tracks
 see page 322



Applications
 see page 20

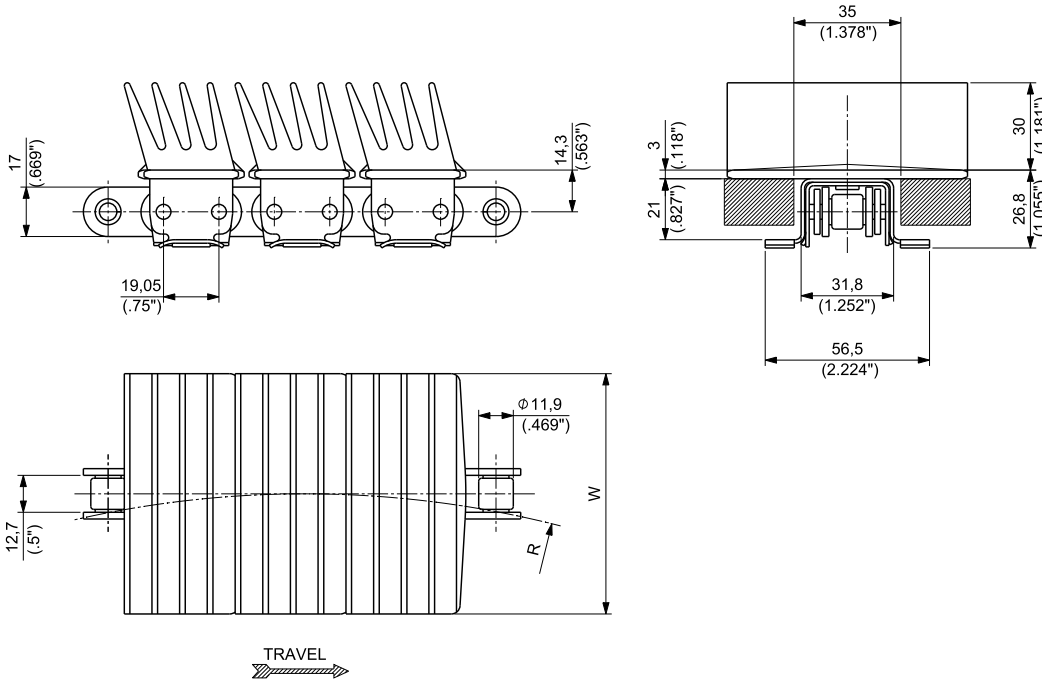
MATERIALS			ITEM DESCRIPTION	PART NUMBER	CONNECTING LINK PART NUMBER	WIDTH W		SIDEFLEXING RADIUS R		WORKING LOAD (25°C/77°F)		WEIGHT	
Flight	Base Chain	Rubber				mm	inch	mm	inch	N	lbs	kg/m	lbs/ft
CARBON STEEL 	CARBON STEEL 	EPDM 	GV 1874T K 3 1/4	GV1874KD/010	18/0873	82,6	3.25	381	15	4500	1,012	5,65	3.79
		EPDM Hardness: 60 Sha	GV 1874T K 4 1/2	GV1874KG/010		114,3	4.50	381	15	4500	1,012	6,71	4.51
STAINLESS STEEL 	STAINLESS STEEL 	EPDM 	GV 1874T SS K 3 1/4	GV1874SKD/010	18/SS873AB	82,6	3.25	381	15	3500	787	5,57	3.74
		EPDM Hardness: 60 Sha	GV 1874T SS K 4 1/2	GV1874SKG/010		114,3	4.50	381	15	3500	787	6,63	4.46



Standard packaging:
 Rolls of 3,048 m (10 feet)

TAB STEEL FLIGHTS
3/4" PITCH ROLLER CHAIN
LONG FINGERS RUBBER PAD
THICKNESS 3 mm (0.118")
HINGE 31,8 mm (1.252")

POWERED
BY BASE ROLLER
CHAIN MADE
BY REGINA
IN ITALY



Materials
see page 12



Sprockets
see page 153



Corner tracks
see page 322



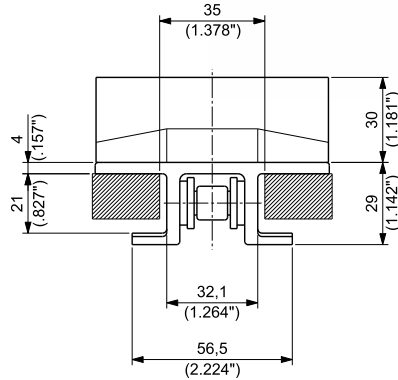
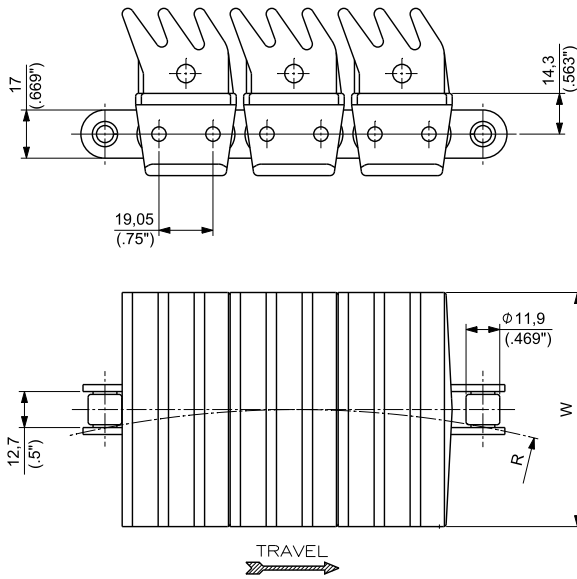
Applications
see page 20

MATERIALS			ITEM DESCRIPTION	PART NUMBER	CONNECTING LINK PART NUMBER	WIDTH W		SIDEFLEXING RADIUS R		WORKING LOAD (25°C/77°F)		WEIGHT	
Flight	Base Chain	Rubber				mm	inch	mm	inch	N	lbs	kg/m	lbs/ft
CARBON STEEL 	CARBON STEEL 	EPDM Hardness: 60 ShA	EV 1874T K 3/4	EV1874KD/010	18/0873	82,6	3,25	381	15	4500	1,012	5,67	3,81
STAINLESS STEEL 	STAINLESS STEEL 	EPDM Hardness: 60 ShA	EV 1874T SS K 3/4	EV1874SKD/010	18/SS873AB	82,6	3,25	381	15	3500	787	5,60	3,76



Standard packaging:
Rolls of 3,048 m (10 feet)

TAB PLASTIC FLIGHTS
3/4" PITCH ROLLER CHAIN
SHORT FINGERS RUBBER PAD
THICKNESS 4 mm (0.157")
HINGE 32,1 mm (1.264")



Materials
see page 12



Sprockets
see page 153



Corner tracks
see page 322



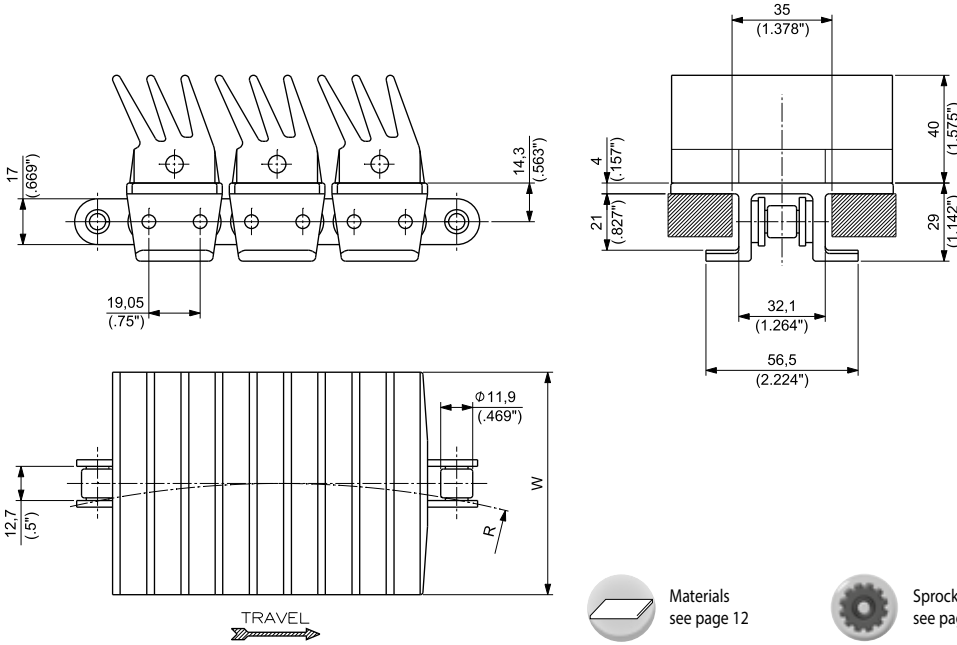
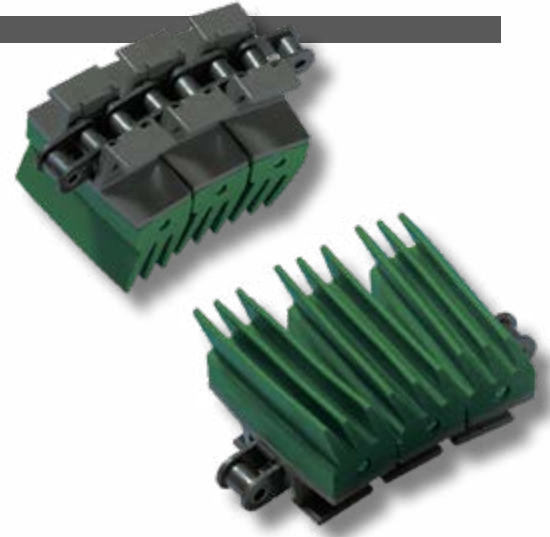
Applications
see page 20

Flight	MATERIALS		ITEM DESCRIPTION	PART NUMBER	CONNECTING LINK PART NUMBER	WIDTH W		SIDEFLEXING RADIUS		WORKING LOAD (25°C/77°F)		WEIGHT	
	Base chain	Rubber				mm	inch	mm ^R	inch	N	lbs	kg/m	lbs/ft
	CARBON STEEL		GW 1873T UP K 3 1/4	GW1873KD/000	18/0873	82,6	3,25	355,6	14	4500	1012	4,54	3,05
ULTRA PERFORMANCE HOMOPOLYMER DELRIN® UP	STAINLESS STEEL	THERMOPLASTIC TPE Hardness: 50 Sha	GW 1873T UP SS K 3 1/4	GW1873SKD/000	18/SS873AB	82,6	3,25	355,6	14	3500	787	4,49	3,02
	MAINTENANCE FREE CARBON STEEL		GW 1873T UP BS K 3 1/4	GW1873UPBKD/000	18/873BS	82,6	3,25	355,6	14	3500	787	4,28	2,87
	CARBON STEEL		GW 1873T D2K K 3 1/4	GW1873D2KKD/000	18/0873	82,6	3,25	355,6	14	4500	1012	4,54	3,05
SPECIAL DELRIN® REINFORCED WITH KEVLAR® DK2	STAINLESS STEEL	THERMOPLASTIC TPE Hardness: 50 Sha	GW 1873T D2K SS K 3 1/4	GW1873D2KSKD/000	18/SS873AB	82,6	3,25	355,6	14	3500	787	4,49	3,02
	MAINTENANCE FREE CARBON STEEL		GW 1873T D2K BS K 3 1/4	GW1873D2KBKD/000	18/873BS	82,6	3,25	355,6	14	3500	787	4,28	2,87



Standard packaging:
Rolls of 3,048 m (10 feet)

TAB PLASTIC FLIGHTS
3/4" PITCH ROLLER CHAIN
LONG FINGERS RUBBER PAD
THICKNESS 4 mm (0.157")
HINGE 32,1 mm (1.264")



Materials see page 12



Sprockets see page 153



Corner tracks see page 322



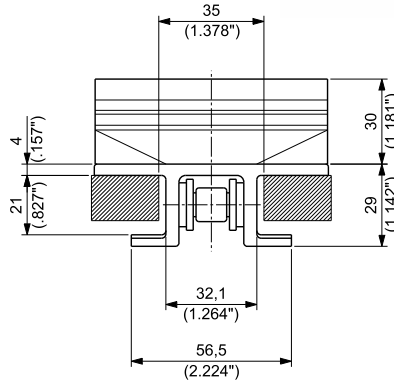
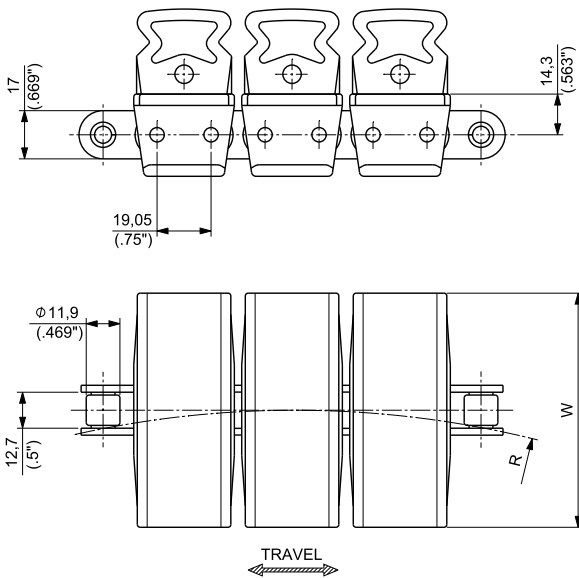
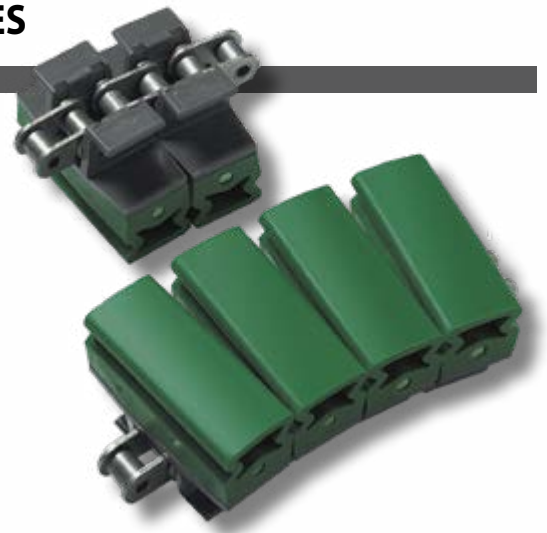
Applications see page 20

MATERIALS			ITEM DESCRIPTION	PART NUMBER	CONNECTING LINK PART NUMBER	WIDTH	SIDEFLEXING RADIUS	WORKING LOAD	WEIGHT				
Flight	Base chain	Rubber				mm inch	mm R inch	N lbs	kg/m lbs/ft				
CARBON STEEL			EW 1873T UP K 3 1/4	EW1873KD/000	18/0873	82,6	3,25	355,6	14,00	4500	1012	4,68	3,14
			EW 1873T UP K 4 1/2	EW1873UPKG/000		114,3	4,50	355,6	14,00	4500	1012	5,72	3,84
STAINLESS STEEL		THERMOPLASTIC TPE Hardness: 50 ShA	EW 1873T UP SS K 3 1/4	EW1873SKD/000	18/SS873AB	82,6	3,25	355,6	14,00	3500	787	4,62	3,11
			EW 1873T UP SS K 4 1/2	EW1873UPSKG/000		114,3	4,50	355,6	14,00	3500	787	5,67	3,81
MAINTENANCE FREE CARBON STEEL			EW 1873T UP BS K 3 1/4	EW1873UPBKD/000	18/873BS	82,6	3,25	355,6	14,00	3500	787	4,38	2,95
			EW 1873T UP BS K 4 1/2	EW1873UPBKG/000		114,3	4,50	355,6	14,00	3500	787	5,32	3,57
STAINLESS STEEL		HEAT STABILIZED THERMOPLASTIC HS Hardness: 45 ShA	EW 1873T UP HS SS K 3 1/4	EW1873HSSKD/003	18/SS873AB	82,6	3,25	355,6	14,00	3500	787	4,62	3,11
CARBON STEEL			EW 1873T D2K K 3 1/4	EW1873D2KKD/000	18/0873	82,6	3,25	355,6	14,00	4500	1012	4,68	3,14
			EW 1873T D2K K 4 1/2	EW1873D2KKG/000		114,3	4,50	355,6	14,00	4500	1012	5,72	3,84
STAINLESS STEEL		THERMOPLASTIC TPE Hardness: 50 ShA	EW 1873T D2K SS K 3 1/4	EW1873D2KSKD/000	18/SS873AB	82,6	3,25	355,6	14,00	3500	787	4,62	3,11
			EW 1873T D2K SS K 4 1/2	EW1873D2KSKG/000		114,3	4,50	355,6	14,00	3500	787	5,67	3,81
MAINTENANCE FREE CARBON STEEL			EW 1873T D2K BS K 3 1/4	EW1873D2KBKD/000	18/873BS	82,6	3,25	355,6	14,00	3500	787	4,38	2,95
			EW 1873T D2K BS K 4 1/2	EW1873D2KBKG/000		114,3	4,50	355,6	14,00	3500	787	5,32	3,57
STAINLESS STEEL		HEAT STABILIZED THERMOPLASTIC HS Hardness: 45 ShA	EW 1873T D2K HS SS K 3 1/4	EW1873HSSKD/002	18/SS873AB	82,6	3,25	355,6	14,00	3500	787	4,62	3,11



Standard packaging:
Rolls of 3,048 m (10 feet)

TAB PLASTIC FLIGHTS
3/4" PITCH ROLLER CHAIN
D-SHAPE RUBBER PAD
THICKNESS 4 mm (0.157")
HINGE 32,1 mm (1.264")



Materials
see page 12



Sprockets
see page 153



Corner tracks
see page 322



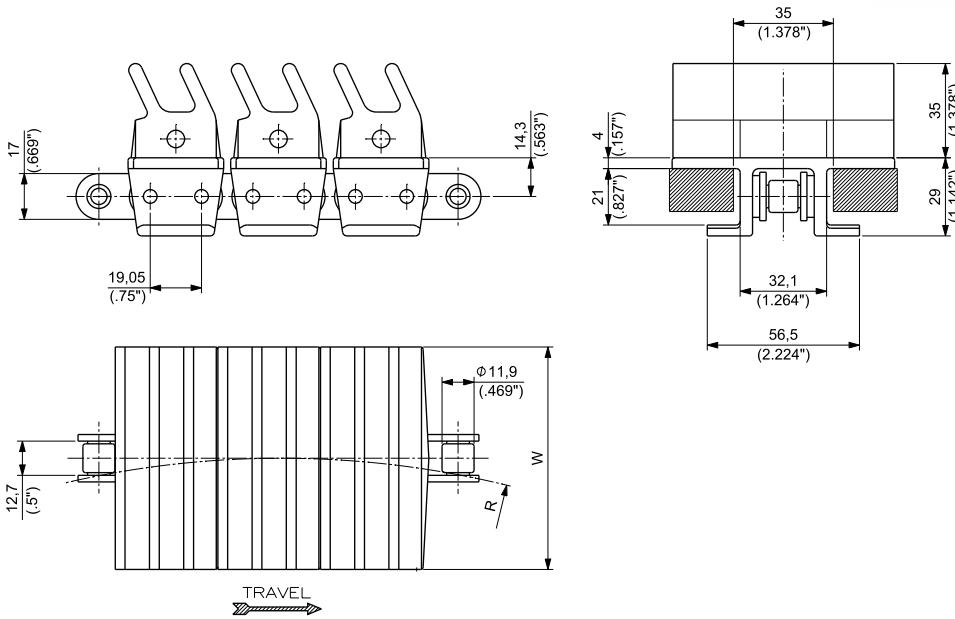
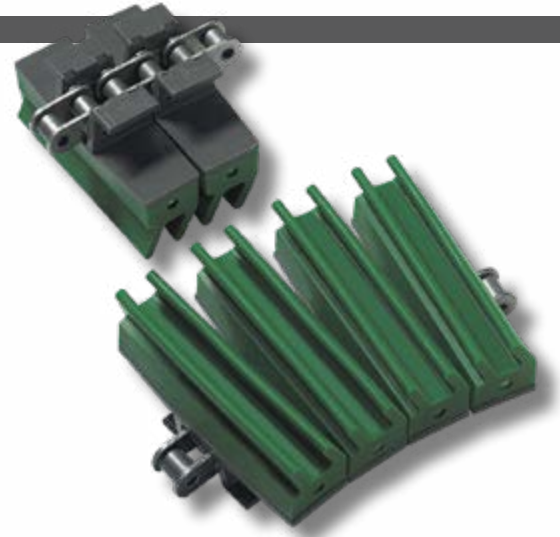
Applications
see page 20

Flight	MATERIALS	ITEM DESCRIPTION	PART NUMBER	CONNECTING LINK PART NUMBER	WIDTH W	SIDEFLEXING RADIUS	WORKING LOAD (25°C/77°F)	WEIGHT					
	Base chain	Rubber			mm	inch	N	lbs					
	CARBON STEEL		GD 1873T UP K 3 1/4	GD1873UPKD/000	18/0873	82,6	3,25	355,6	14	4500	1012	4,29	2,88
ULTRA PERFORMANCE HOMOPOLYMER DELRIN® UP	STAINLESS STEEL	THERMOPLASTIC TPE Hardness: 50 ShA	GD 1873T UP SS K 3 1/4	GD1873UPSKD/000	18/SS873AB	82,6	3,25	355,6	14	3500	787	4,24	2,85
	MAINTENANCE FREE CARBON STEEL		GD 1873T UP BS K 3 1/4	GD1873UPBKD/000	18/873BS	82,6	3,25	355,6	14	3500	787	4,07	2,73
	CARBON STEEL		GD 1873T D2K K 3 1/4	GD1873D2KKD/000	18/0873	82,6	3,25	355,6	14	4500	1012	4,29	2,88
SPECIAL DELRIN® REINFORCED WITH KEVLAR®	STAINLESS STEEL	THERMOPLASTIC TPE Hardness: 50 ShA	GD 1873T D2K SS K 3 1/4	GD1873D2KSKD/000	18/SS873AB	82,6	3,25	355,6	14	3500	787	4,24	2,85
	MAINTENANCE FREE CARBON STEEL		GD 1873T D2K BS K 3 1/4	GD1873D2KBKD/000	18/873BS	82,6	3,25	355,6	14	3500	787	4,07	2,73



Standard packaging:
Rolls of 3,048 m (10 feet)

TAB PLASTIC FLIGHTS
3/4" PITCH ROLLER CHAIN
U-SHAPE RUBBER PAD
THICKNESS 4 mm (0.157")
HINGE 32,1 mm (1.264")



FliteTop



Materials
see page 12



Sprockets
see page 153



Corner tracks
see page 322



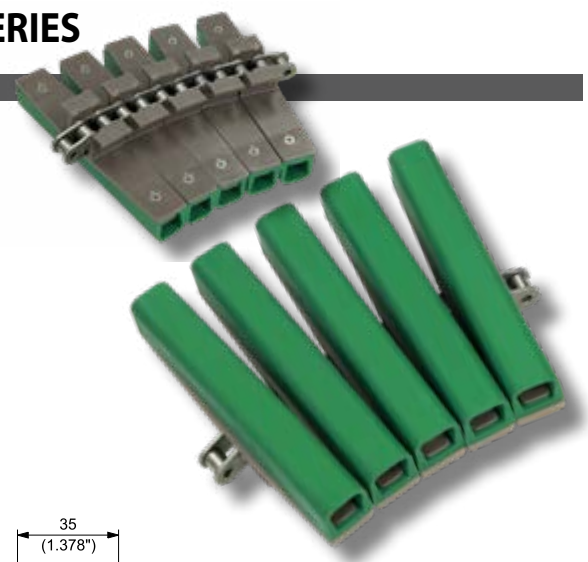
Applications
see page 20

Flight	MATERIALS		ITEM DESCRIPTION	PART NUMBER	CONNECTING LINK PART NUMBER	WIDTH		SIDEFLEXING RADIUS		WORKING LOAD (25°C/77°F)		WEIGHT	
	Base chain	Rubber				mm	inch	mm ^R	inch	N	lbs	kg/m	lbs/ft
ULTRA PERFORMANCE HOMOPOLYMER DELRIN® UP	CARBON STEEL	THERMOPLASTIC TPE	GU 1873T UP K 3 1/4	GU1873UPKD/000	18/0873	82,6	3.25	355,6	14	4500	1012	4,41	2.96
	CARBON STEEL		GU 1873T UP K 4 1/2	GU1873UPKG/000		114,3	4.50	355,6	14	4500	1012	5,35	3.59
	STAINLESS STEEL	Hardness: 50 Sha	GU 1873T UP SS K 3 1/4	GU1873UPSKD/000	18/SS873AB	82,6	3.25	355,6	14	3500	787	4,35	2.93
	STAINLESS STEEL		GU 1873T UP SS K 4 1/2	GU1873UPSKG/000		114,3	4.50	355,6	14	3500	787	5,29	3.56
SPECIAL DELRIN® REINFORCED WITH KEVLAR® DK2	CARBON STEEL	THERMOPLASTIC TPE	GU 1873T D2K K 3 1/4	GU1873D2KKD/000	18/0873	82,6	3.25	355,6	14	4500	1012	4,41	2.96
	CARBON STEEL		GU 1873T D2K K 4 1/2	GU1873D2KKG/000		114,3	4.50	355,6	14	4500	1012	5,35	3.59
	STAINLESS STEEL	Hardness: 50 Sha	GU 1873T D2K SS K 3 1/4	GU1873D2KSKD/000	18/SS873AB	82,6	3.25	355,6	14	3500	787	4,35	2.93
	STAINLESS STEEL		GU 1873T D2K SS K 4 1/2	GU1873D2KSKG/000		114,3	4.50	355,6	14	3500	787	5,29	3.56



Standard packaging:
Rolls of 3,048 m (10 feet)

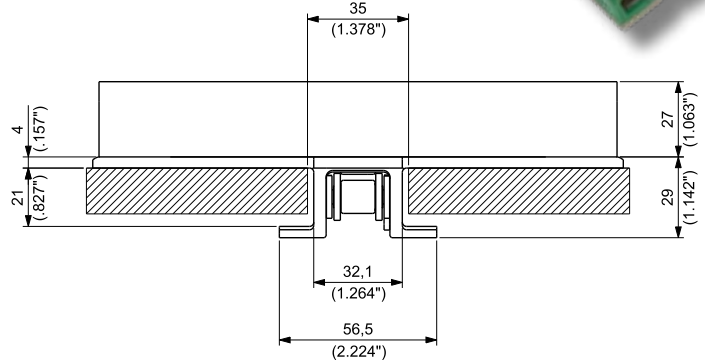
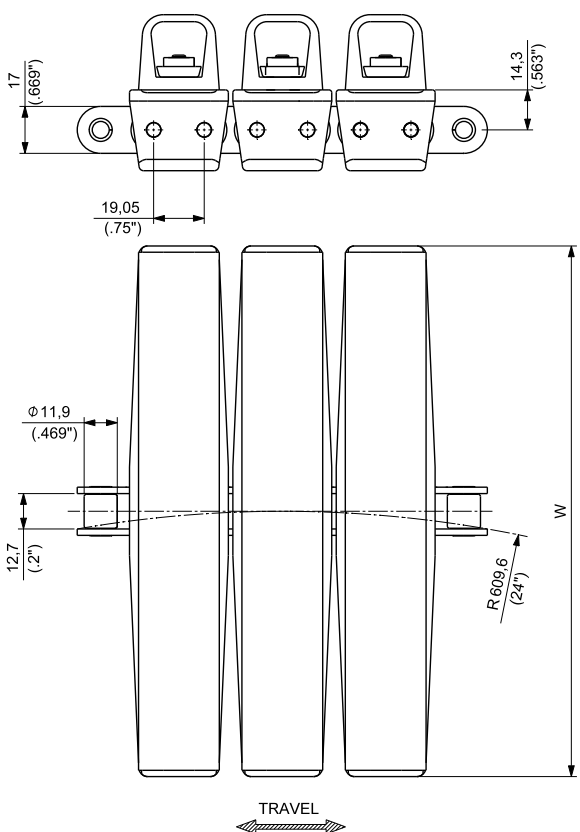
NEW



TAB PLASTIC FLIGHTS
3/4" PITCH ROLLER CHAIN
D-SHAPE RUBBER PAD
THICKNESS 4 mm (0.157")
HINGE 32,1 mm (1.264")

DK²
DUPONT®
KEVLAR®
INSIDE

POWERED
BY BASE ROLLER
CHAIN MADE
BY REGINA
IN ITALY



Materials
see page 12



Sprockets
see page 153



Applications
see page 20

MATERIALS		ITEM DESCRIPTION	PART NUMBER	CONNECTING LINK PART NUMBER	WIDTH W	SIDEFLEXING RADIUS R	WORKING LOAD (25°C/77°F)	WEIGHT					
Flight	Base chain	Rubber			mm	inch	N	lbs					
ULTRA PERFORMANCE HOMOPOLYMER DELRIN® UP	STAINLESS STEEL 	THERMOPLASTIC TPE Hardness: 50 Sha	GD 1873T UP SS K 7 1/2	GD1873UPSKL/000	18/SS873AB	190,5	7.50	609,6	24	3500	787	4,90	3.29
		HEAT STABILIZED THERMOPLASTIC HS Hardness: 70 Sha	GD 1873T UP H SS K 7 1/2	GD1873UPH SKL/000	18/SS873AB	190,5	7.50	609,6	24	3500	787	5,26	3.53
SPECIAL DELRIN® REINFORCED WITH KEVLAR® DK²	STAINLESS STEEL 	THERMOPLASTIC TPE Hardness: 50 Sha	GD 1873T D2K SS K 7 1/2	GD1873D2KSKL/000	18/SS873AB	190,5	7.50	609,6	24	3500	787	4,90	3.29
		HEAT STABILIZED THERMOPLASTIC HS Hardness: 70 Sha	GD 1873T D2K H SS K 7 1/2	GD1873D2KH SKL/000	18/SS873AB	190,5	7.50	609,6	24	3500	787	5,26	3.53



Standard packaging:
Rolls of 3,048 m (10 feet)

TAB PLASTIC FLIGHTS

3/4" PITCH ROLLER CHAIN

"HOUSE"-SHAPED RUBBER PAD

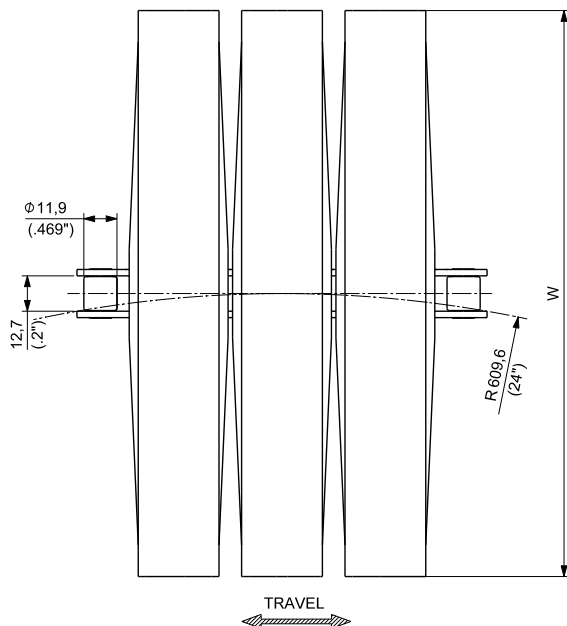
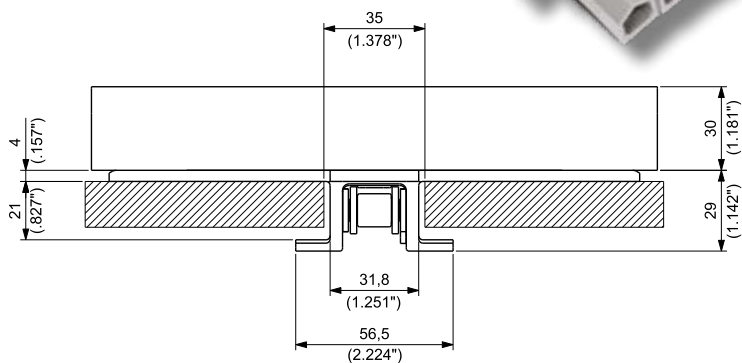
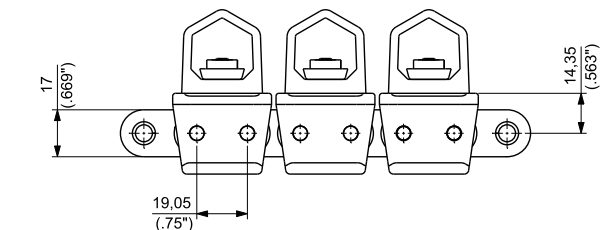
THICKNESS 4 mm (0.157")

HINGE 32,1 mm (1.264")

NEW



POWERED BY BASE ROLLER CHAIN MADE BY REGINA IN ITALY



Materials see page 12



Sprockets see page 153



Applications see page 20

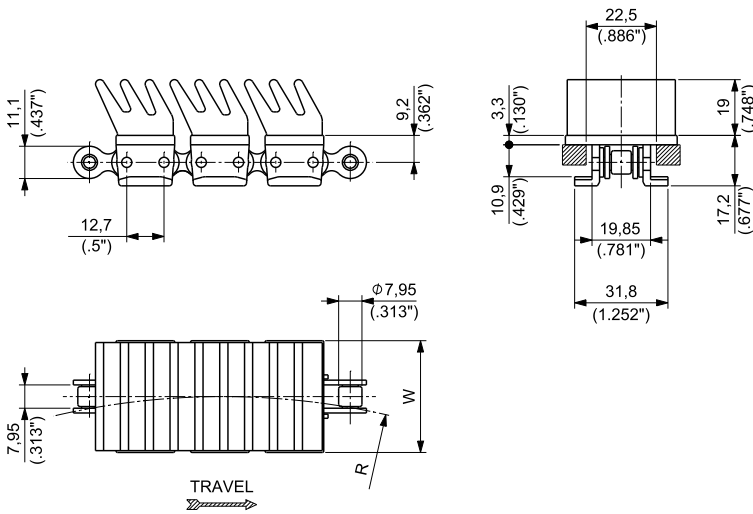
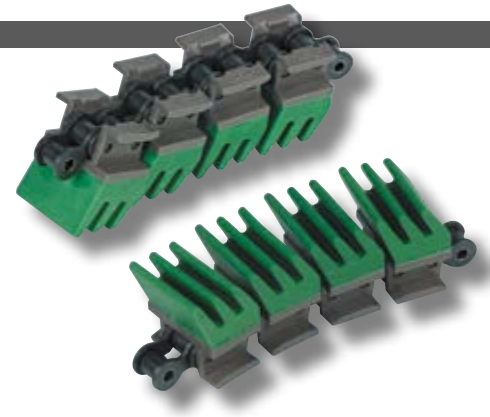
MATERIALS			ITEM DESCRIPTION	PART NUMBER	CONNECTING LINK PART NUMBER	WIDTH W	SIDEFLEXING RADIUS R	WORKING LOAD (25°C/77°F)	WEIGHT
Flight	Base chain	Rubber				mm inch	mm inch	N lbs	kg/m lbs/ft
ULTRA PERFORMANCE HOMOPOLYMER DELRIN® UP	STAINLESS STEEL	THERMOPLASTIC TPE Hardness: 50 ShA	GC 1873T UP SS K 8	GC1873UPSKV/000	18/SS873AB	203,2 8	609,6 24	3500 787	4,90 3,29
		HEAT STABILIZED THERMOPLASTIC HS Hardness: 70 ShA	GC 1873T UP H SS K 8	GC1873UPHSKV/000	18/SS873AB	203,2 8	609,6 24	3500 787	5,26 3,53
SPECIAL DELRIN® REINFORCED WITH KEVLAR®	STAINLESS STEEL	THERMOPLASTIC TPE Hardness: 50 ShA	GC 1873T D2K SS K 8	GC1873D2KSKV/000	18/SS873AB	203,2 8	609,6 24	3500 787	4,90 3,29
		HEAT STABILIZED THERMOPLASTIC HS Hardness: 70 ShA	GC 1873T D2K H SS K 8	GC1873D2KH SKV/000	18/SS873AB	203,2 8	609,6 24	3500 787	5,26 3,53



Standard packaging:
Rolls of 3,048 m (10 feet)

TAB PLASTIC FLIGHTS
½" PITCH ROLLER CHAIN
LONG FINGERS RUBBER PAD
THICKNESS 3,3 mm (0.130")
HINGE 19,85 mm (0.781")

POWERED
 BY BASE ROLLER
 CHAIN MADE
 BY REGINA
 IN ITALY



Materials
 see page 12



Sprockets
 see page 152



Corner tracks
 see page 322

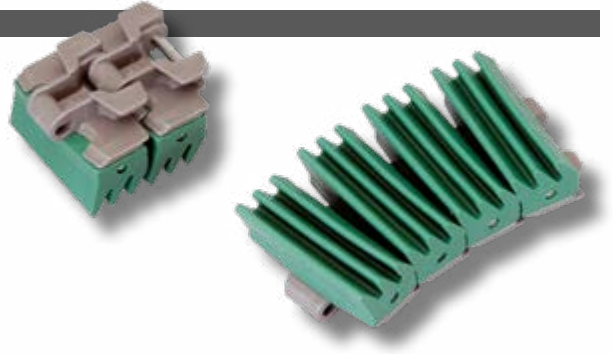


Applications
 see page 20

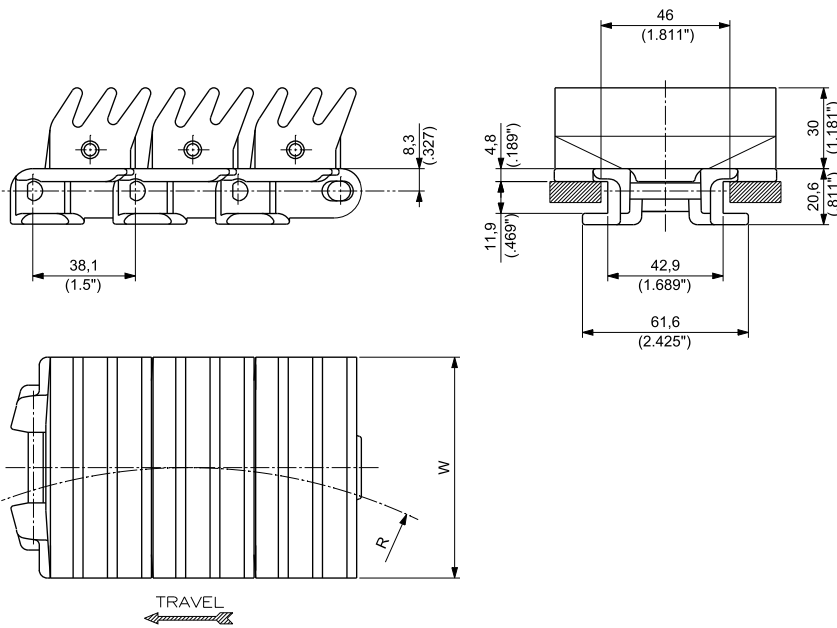
Flight	MATERIALS		ITEM DESCRIPTION	PART NUMBER	CONNECTING LINK PART NUMBER	WIDTH W		SIDEFLEXING RADIUS R		WORKING LOAD (25°C/77°F)		WEIGHT	
	Base chain	Rubber				mm	inch	mm	inch	N	lbs	kg/m	lbs/ft
UP	CARBON STEEL	THERMOPLASTIC	EW 1843T UP K 1 ½	EW1843UPKW/000	18/1843	38,1	1.5	254	10	2600	584	1,28	0.86
	ULTRA PERFORMANCE HOMOPOLYMER DELRIN®	TPE											
	STAINLESS STEEL	Hardness: 50 ShA	EW 1843T UP SS K 1 ½	EW1843UPSKW/000	18/SS1843	38,1	1.5	254	10	2000	450	1,29	0.87



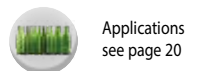
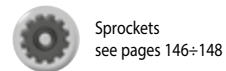
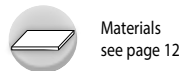
Standard packaging:
 Rolls of 3,048 m (10 feet)



TAB PLASTIC PLATES
SHORT FINGERS RUBBER PAD
REDUCED SIDEFLEXING RADIUS
THICKNESS 4,8 mm (0.189")
HINGE 42,9 mm (1.689")

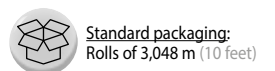


FliteTop

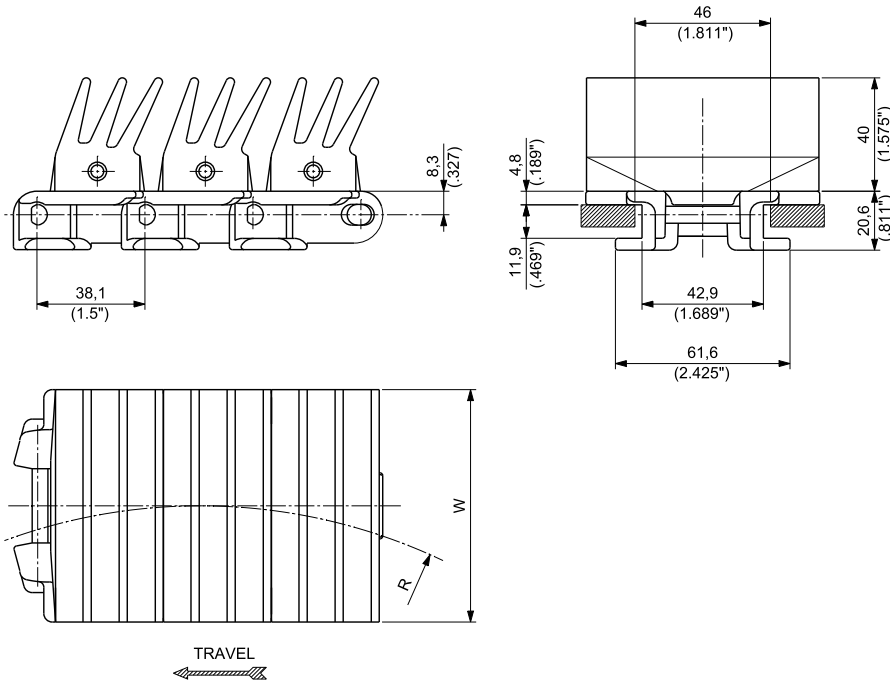


MATERIALS			ITEM DESCRIPTION	PART NUMBER	WIDTH W		SIDEFLEXING RADIUS R		WORKING LOAD (25°C/77°F)		WEIGHT	
Plate	Pin	Rubber			mm	inch	mm	inch	N	lbs	kg/m	lbs/ft

ULTRA PERFORMANCE HOMOPOLYMER DELRIN® UP	AUSTENITIC STAINLESS STEEL	THERMOPLASTIC TPE Hardness: 50 ShA	GW 878T UP K 3 ¼	GW878UPKD/000	82,6	3.25	250	9.84	2000	450	3,38	2.27
---	-------------------------------	---	------------------	---------------	------	------	-----	------	------	-----	------	------



TAB PLASTIC PLATES
LONG FINGERS RUBBER PAD
REDUCED SIDEFLEXING RADIUS
THICKNESS 4,8 mm (0.189")
HINGE 42,9 mm (1.689")



Materials
see page 12



Sprockets
see pages 146-148



Applications
see page 20

MATERIALS			ITEM DESCRIPTION	PART NUMBER	WIDTH W		SIDEFLEXING RADIUS R		WORKING LOAD (25°C/77°F)		WEIGHT	
Plate	Pin	Rubber			mm	inch	mm	inch	N	lbs	kg/m	lbs/ft

ULTRA PERFORMANCE
HOMOPOLYMER DELRIN®
UP

AUSTENITIC
STAINLESS STEEL

THERMOPLASTIC
TPE
Hardness: 50 ShA

EW 878T UP K 3 ¼ EW878UPKD/000

82,6

3.25

250

9.84

2000

450

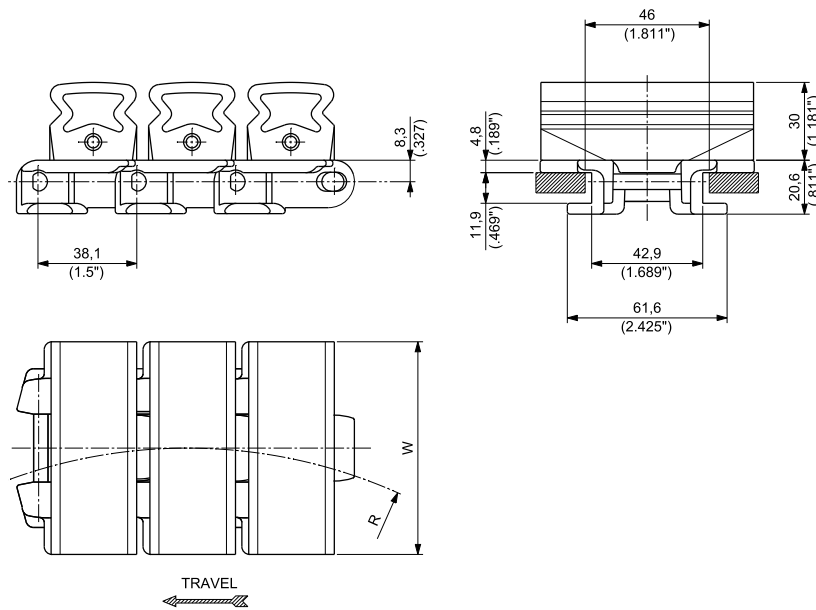
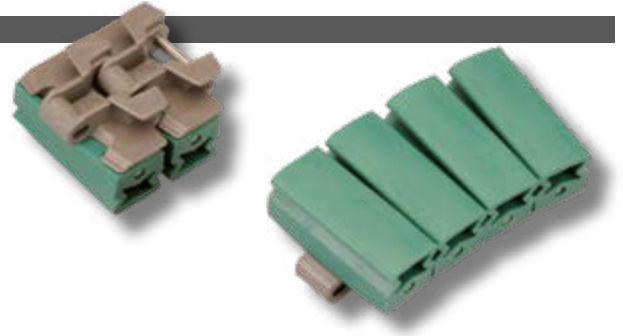
3,38

2.27



Standard packaging:
Rolls of 3,048 m (10 feet)

TAB PLASTIC PLATES
D-SHAPE RUBBER PAD
REDUCED SIDEFLEXING RADIUS
THICKNESS 4,8 mm (0.189")
HINGE 42,9 mm (1.689")



FliteTop



Materials
see page 12



Sprockets
see pages 146+148



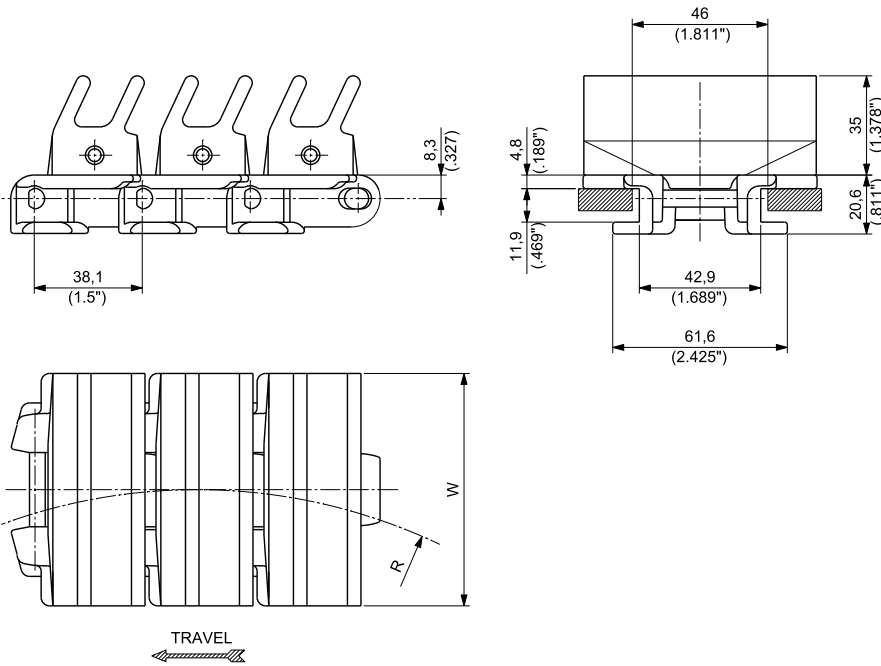
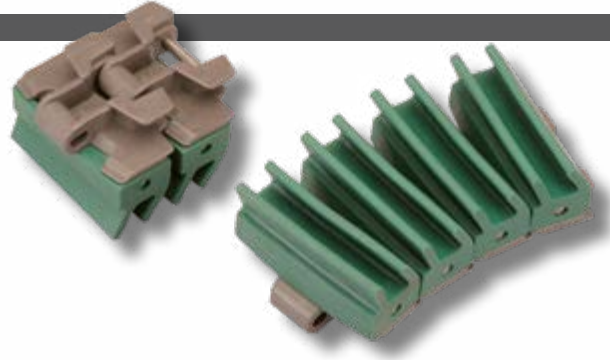
Applications
see page 20

MATERIALS			ITEM DESCRIPTION	PART NUMBER	WIDTH W		SIDEFLEXING RADIUS R		WORKING LOAD (25°C/77°F)		WEIGHT	
Plate	Pin	Rubber			mm	inch	mm	inch	N	lbs	kg/m	lbs/ft
ULTRA PERFORMANCE HOMOPOLYMER DELRIN® UP	AUSTENITIC STAINLESS STEEL	THERMOPLASTIC TPE Hardness: 50 ShA	GD 878T UP K 3 ¼	GD878UPKD/000	82,6	3.25	250	9.84	2000	450	3,38	2.27



Standard packaging:
Rolls of 3,048 m (10 feet)

TAB PLASTIC PLATES
U-SHAPE RUBBER PAD
REDUCED SIDEFLEXING RADIUS
THICKNESS 4,8 mm (0.189")
HINGE 42,9 mm (1.689")



Materials
see page 12



Sprockets
see pages 146÷148



Applications
see page 20

MATERIALS			ITEM DESCRIPTION	PART NUMBER	WIDTH W		SIDEFLEXING RADIUS R		WORKING LOAD (25°C/77°F)		WEIGHT	
Plate	Pin	Rubber			mm	inch	mm	inch	N	lbs	kg/m	lbs/ft
ULTRA PERFORMANCE HOMOPOLYMER DELRIN® UP	AUSTENITIC STAINLESS STEEL	THERMOPLASTIC TPE Hardness: 50 ShA	GU 878T UP K 3 ¼	GU878UPKD/000	82,6	3.25	250	9.84	2000	450	3,38	2.27



Standard packaging:
Rolls of 3,048 m (10 feet)



PERFORMANCE IN MOTION

FliteTop[®]

**LBP Chains
(Low Back-Line Pressure)**



INDUSTRIES AND APPLICATIONS

LBP CHAINS

Suitable for handling packaged products like cartons, shrink packs, crates.

INDUSTRIES

- Bottling and canning
- Food filling
- Warehouse & distribution

APPLICATIONS

Packaged product convey in accumulation sections

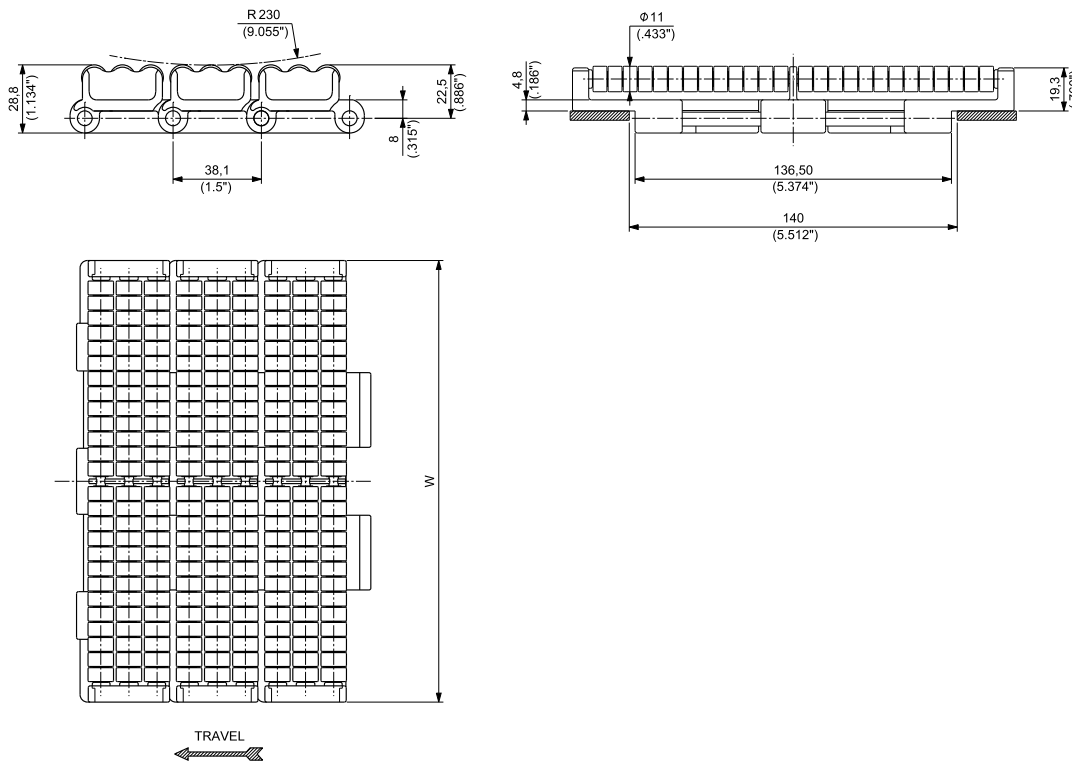


FEATURES

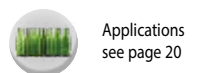
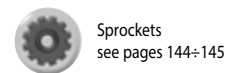
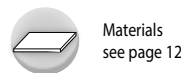
- High ratio in outside/inside roller diameter: better rotation capability and lower coefficient of friction with products are guaranteed.
- UP material rollers paired with premium surface finish of stainless steel pins minimize friction preventing product damage caused by the accumulation force.
- On larger chain widths additional supports for pins keep a flat handling surface for the maximum product stability.
- Availability of modular transfer plates with rollers to guarantee a smooth product head transfer between two conveyors (see page 325).



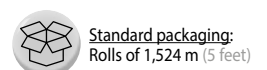
DOUBLE HINGE
PITCH 1 ½" (38,1 mm)
THICKNESS 4,8 mm (0.189")
HINGE 136,5 mm (5.374")



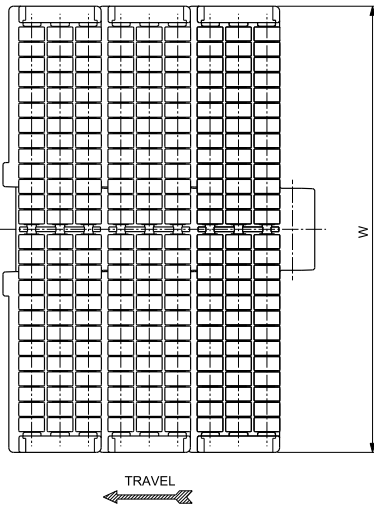
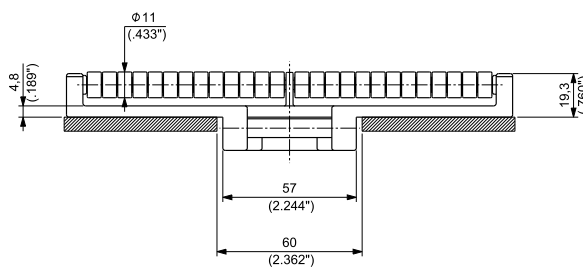
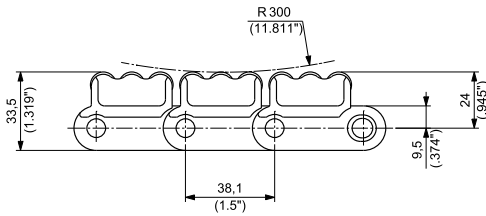
FliteTop



MATERIALS		ITEM DESCRIPTION	PART NUMBER	WIDTH W		PLATE THICKNESS		WORKING LOAD (25°C/77°F)		WEIGHT	
Plate	Pin			mm	inch	mm	inch	N	lbs	kg/m	lbs/ft
ULTRA PERFORMANCE HOMOPOLYMER DELRIN® UP	AUSTENITIC STAINLESS STEEL	LBP 821 UP K 7 ½	LBP821UPKL/000	190,5	7.50	4,8	0.19	2750	618	5,63	3.78
		LBP 821 UP K 10	LBP821UPKM/000	254,0	10.00	4,8	0.19	2750	618	7,07	4.75
		LBP 821 UP K 12	LBP821UPKN/000	304,8	12.00	4,8	0.19	2750	618	8,22	5.53



HEAVY DUTY SINGLE HINGE
PITCH 1 ½" (38,1 mm)
THICKNESS 4,8 mm (0.189")
HINGE 57 mm (2.244")



Materials
see page 12



Sprockets
see pages 149÷150



Applications
see page 20

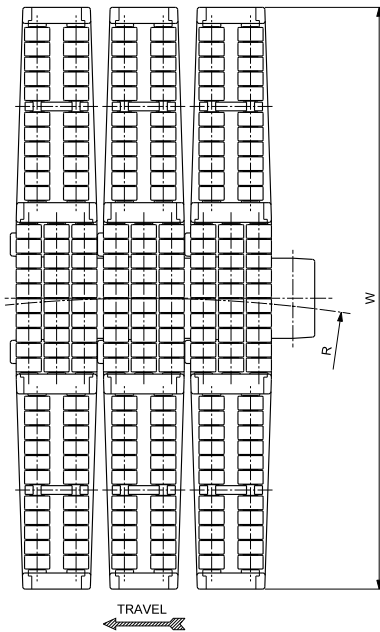
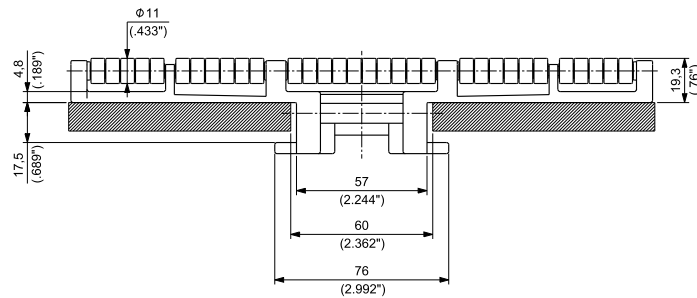
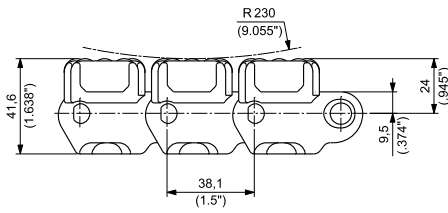
MATERIALS		ITEM DESCRIPTION	PART NUMBER	WIDTH W		PLATE THICKNESS		WORKING LOAD (25°C/77°F)		WEIGHT	
Plate	Pin			mm	inch	mm	inch	N	lbs	kg/m	lbs/ft
ULTRA PERFORMANCE HOMOPOLYMER DELRIN® UP	AUSTENITIC STAINLESS STEEL	LBP 8257 UP K 7 ½	LBP8257UPKL/000	190,5	7.50	4,8	0.19	3910	879	5,47	3.68
		LBP 8257 UP K 10	LBP8257UPKM/000	254,0	10.00	4,8	0.19	3910	879	6,93	4.66
		LBP 8257 UP K 12	LBP8257UPKN/000	304,8	12.00	4,8	0.19	3910	879	8,09	5.44



Standard packaging:
Rolls of 1,524 m (5 feet)



TAB
HEAVY DUTY SINGLE HINGE
PITCH 1 1/2" (38,1 mm)
THICKNESS 4,8 mm (0.189")
HINGE 57 mm (2.244")



FliteTop



Materials
see page 12



Sprockets
see pages 149÷151



Corner tracks
see page 321



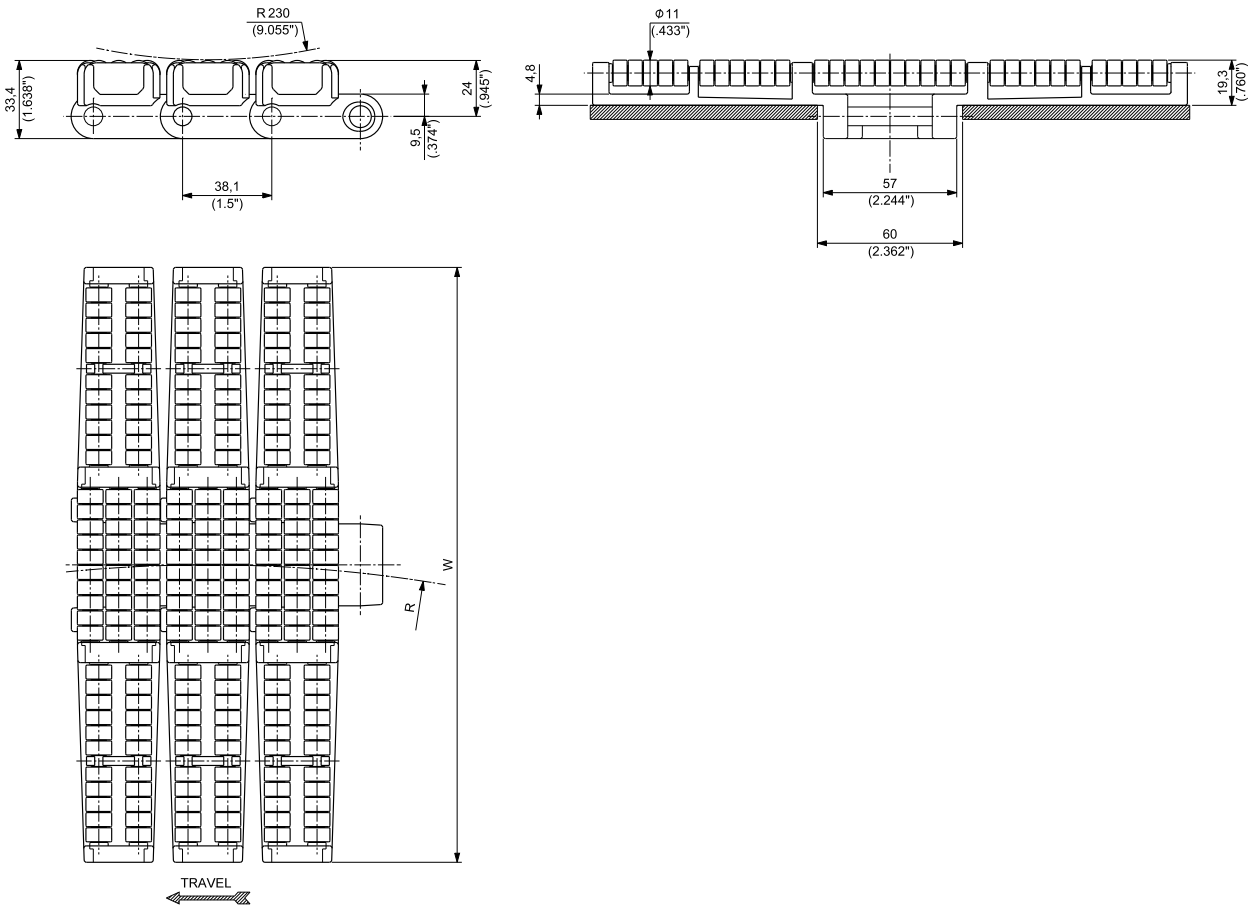
Applications
see page 20

MATERIALS		ITEM DESCRIPTION	PART NUMBER	WIDTH W		PLATE THICKNESS		SIDEFLEXING RADIUS R		WORKING LOAD (25°C/77°F)		WEIGHT	
Plate	Pin			mm	inch	mm	inch	mm	inch	N	lbs	kg/m	lbs/ft
ULTRA PERFORMANCE HOMOPOLYMER DELRIN® UP	AUSTENITIC STAINLESS STEEL	LBP 882T UP K 3 3/4	LBP882TUPKEA/000	95,3	3.75	4,8	0.19	667,0	26.26	3910	879	3,51	2.36
		LBP 882T UP K 4 1/2	LBP882TUPKG/000	114,3	4.50	4,8	0.19	609,6	24.00	3910	879	3,95	2.65
		LBP 882T UP K 7 1/2	LBP882TUPKL/000	190,5	7.50	4,8	0.19	609,6	24.00	3910	879	5,10	3.43
		LBP 882T UP K 10	LBP882TUPKM/000	254,0	10.00	4,8	0.19	609,6	24.00	3910	879	6,38	4.29
		LBP 882T UP K 12	LBP882TUPKN/000	304,8	12.00	4,8	0.19	609,6	24.00	3910	879	6,95	4.67



Standard packaging:
Rolls of 1,524 m (5 feet)

**MAGNETIC
HEAVY DUTY SINGLE HINGE
PITCH 1 ½" (38,1 mm)
THICKNESS 4,8 mm (0.189")
HINGE 57 mm (2.244")**



Materials
see page 12



Sprockets
see pages 149÷150



Corner tracks
see page 280



Applications
see page 20

MATERIALS		ITEM DESCRIPTION	PART NUMBER	WIDTH W		PLATE THICKNESS		SIDEFLEXING RADIUS R		WORKING LOAD (25°C/77°F)		WEIGHT	
Plate	Pin			mm	inch	mm	inch	mm	inch	N	lbs	kg/m	lbs/ft
ULTRA PERFORMANCE HOMOPOLYMER DELRIN® UP	MAGNETIC STAINLESS STEEL	LBP 882M UP K 7 ½	LBP882MUPKL/000	190,5	7.50	4,8	0.19	609,6	24	3910	879	4,85	3.26
		LBP 882M UP K 10	LBP882MUPKM/000	254,0	10.00	4,8	0.19	609,6	24	3910	879	5,91	3.97
		LBP 882M UP K 12	LBP882MUPKN/000	304,8	12.00	4,8	0.19	609,6	24	3910	879	6,70	4.50



Standard packaging:
Rolls of 1,524 m (5 feet)



PERFORMANCE IN MOTION

FliteTop[®]

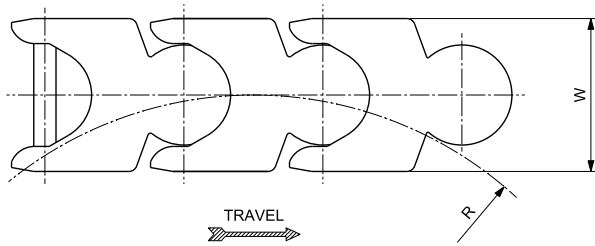
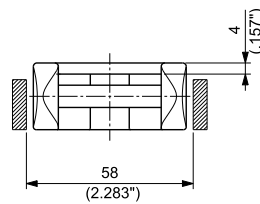
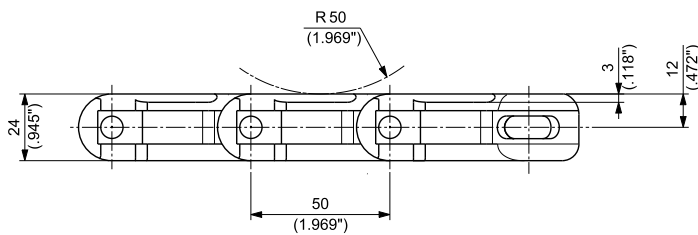
Biplanar Chains



INCREASED PRODUCT SUPPORT SURFACE

PITCH 50 mm (1.969")

THICKNESS 4 mm (0.157")



Materials see page 12



Sprockets see pages 155-156



Turning disc see page 112



Applications see page 20

MATERIALS		ITEM DESCRIPTION	PART NUMBER	WIDTH W		SIDEFLEXING RADIUS R		WORKING LOAD (25°C/77°F)		WEIGHT	
Plate	Pin			mm	inch	mm	inch	N	lbs	kg/m	lbs/ft
WHITE ACETAL RESIN WA	AUSTENITIC STAINLESS STEEL	C 1700	C1700/000	55	2.17	140	5.51	3000	674	1,34	0.90
ULTRA PERFORMANCE HOMOPOLYMER DELRIN® UP	AUSTENITIC STAINLESS STEEL	A 1700	A1700/000	55	2.17	140	5.51	3300	742	1,33	0.89
SPECIAL DELRIN® REINFORCED WITH KEVLAR® DK2	AUSTENITIC STAINLESS STEEL	D2K 1700A	D2K1700A/000	55	2.17	140	5.51	3000	674	1,33	0.89



Standard packaging:
Rolls of 3,000 m (9,842 feet)

TURNING DISC

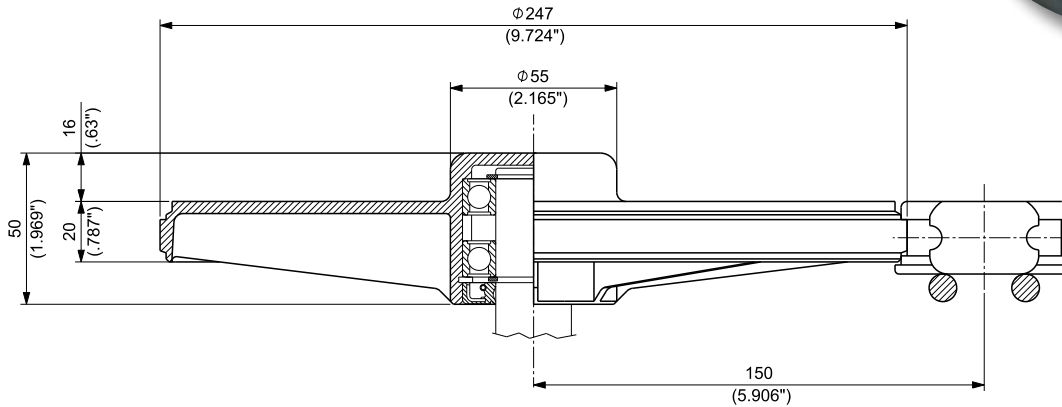
Anti-friction turning discs for 1700 series combined with the special thermoplastic chain material allow longer chain runs and multiple turns in applications like: line accumulation, routing to automatic or manual inspection points, elevation or lowering to automatic or manual inspection points and product distribution.



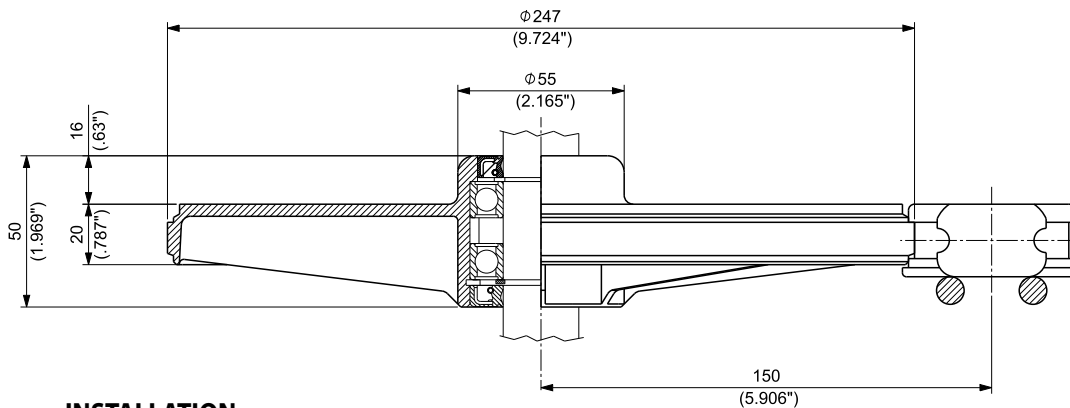
MATERIALS

DISCS: **PGF** REINFORCED POLYAMIDE

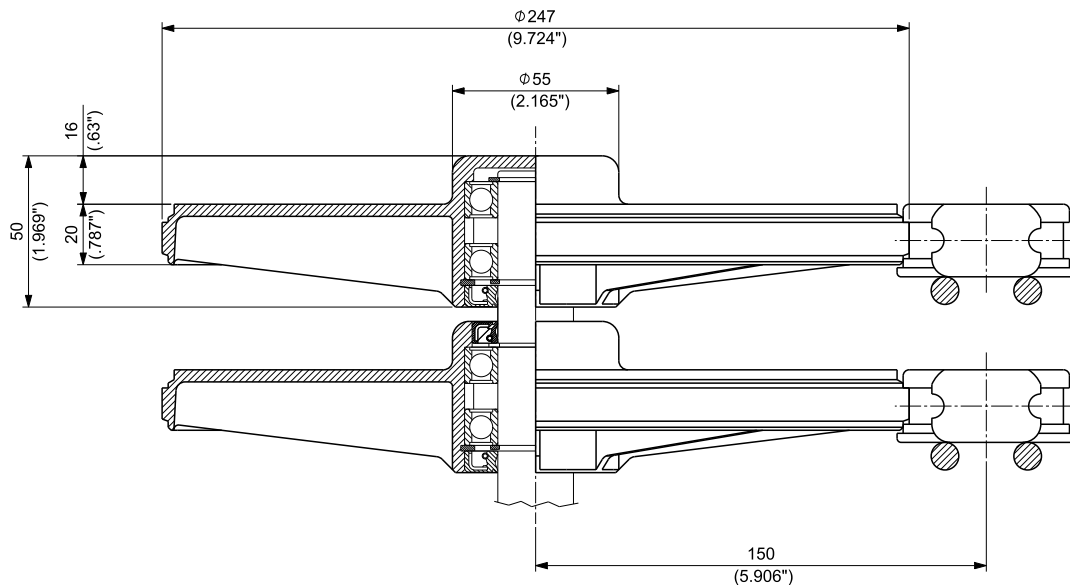
CLOSED VERSION: PART NUMBER **CMT091700A00**



OPEN VERSION: PART NUMBER **CMT091700C00**



INSTALLATION



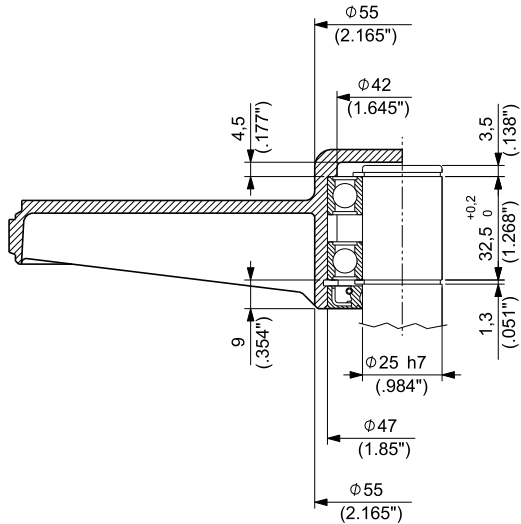
UPPER PART

RETURN PART

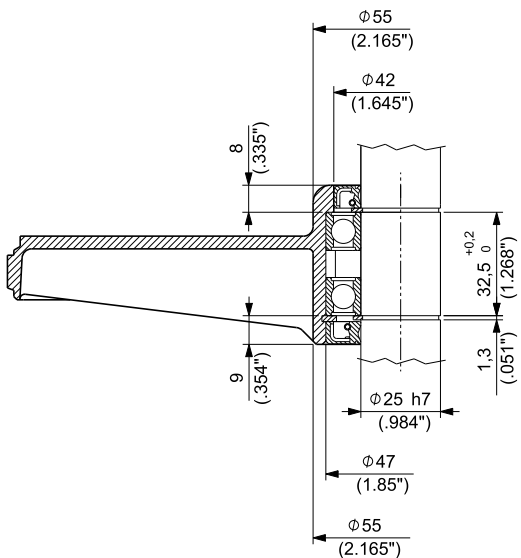
TURNING DISC

SHAFT AND TURNING DISC DIMENSIONS:

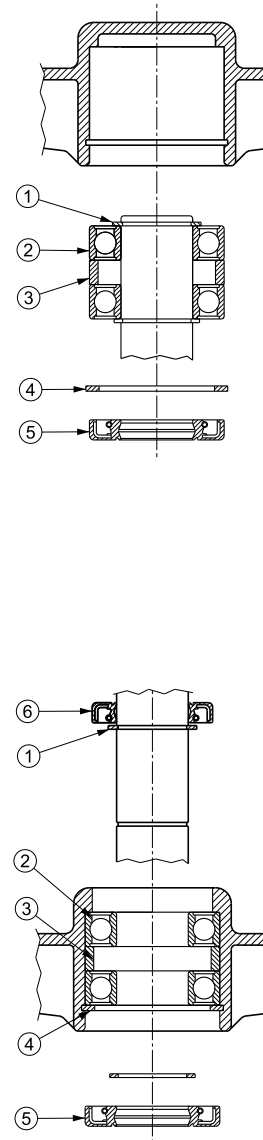
CLOSED VERSION



OPEN VERSION



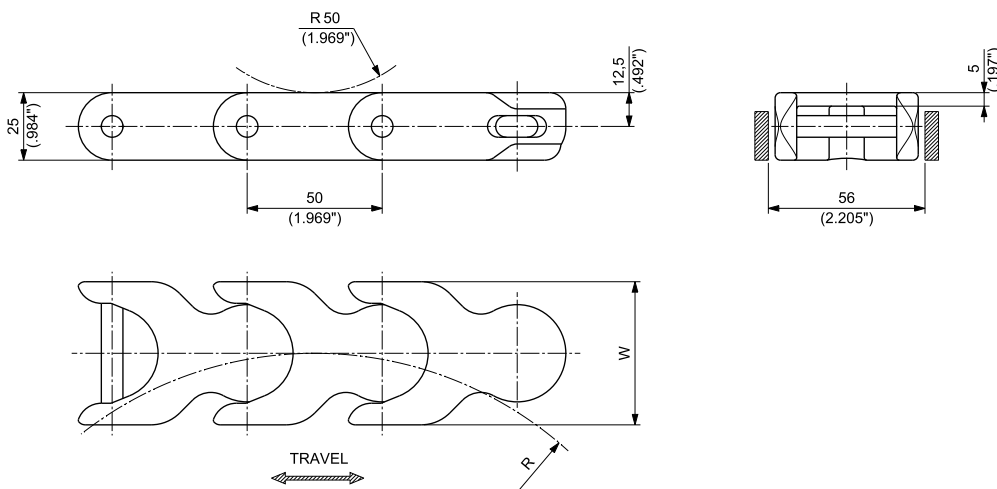
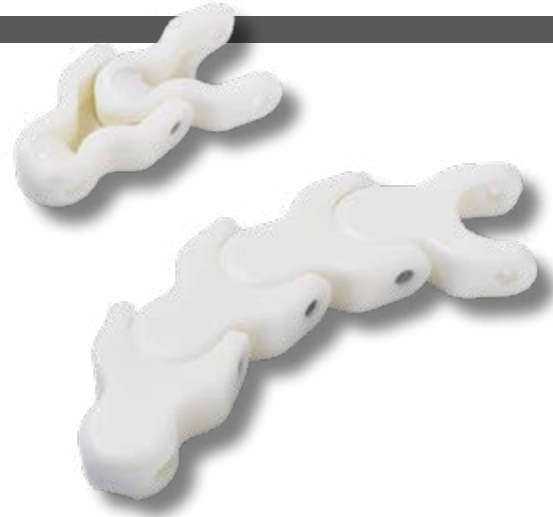
COMPONENTS:



Turning discs are supplied with the following separated components:

- 1 - External retaining ring, \varnothing 25 UNI 7435-25;
- 2 - Single race radial bearing with two sliding seals, 6005-2RS1 (25x47x12);
- 3 - Bearing spacer;
- 4 - Internal retaining ring, \varnothing 47 UNI 7437-47;
- 5 - Seal ring with dust cover, DPSM 25477 DIN 3760 (25x47x7);
- 6 - Seal ring with dust cover, DPSM 25477 DIN 3760 (25x47x7), only for open version (CMT091700C00).

PITCH 50 mm (1.969")
THICKNESS 5,0 mm (0.197")



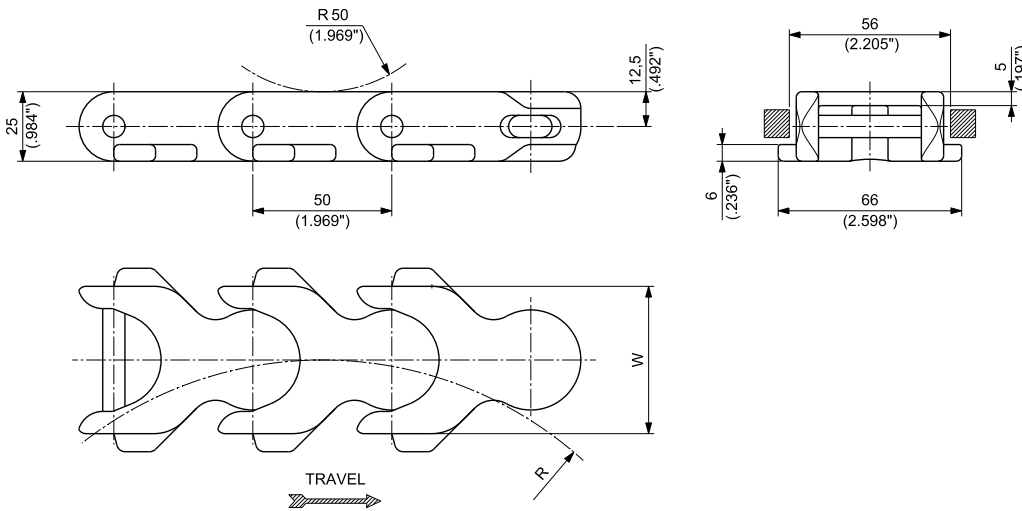
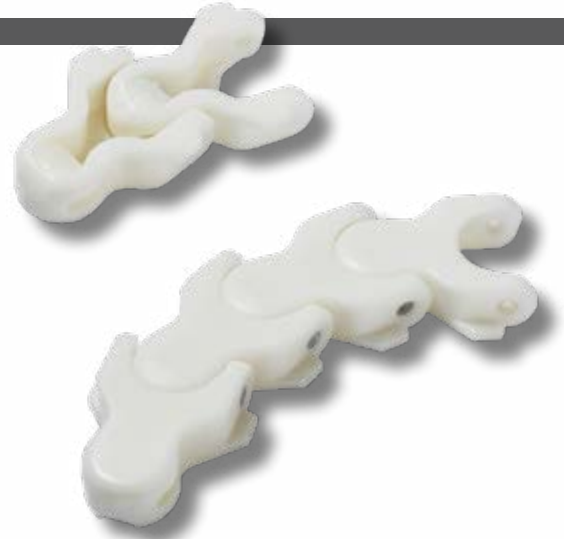
FliteTop

Materials see page 12
 Sprockets see pages 155-156
 Applications see page 20

MATERIALS		ITEM DESCRIPTION	PART NUMBER	WIDTH W		SIDEFLEXING RADIUS R		WORKING LOAD (25°C/77°F)		WEIGHT	
Plate	Pin			mm	inch	mm	inch	N	lbs	kg/m	lbs/ft
WHITE ACETAL RESIN WA	AUSTENITIC STAINLESS STEEL	1702A	1702A/000	53	2.09	140	5.51	3300	742	1,44	0.97

Standard packaging:
 Rolls of 3,000 m (9,842 feet)

TAB
PITCH 50 mm (1.969")
THICKNESS 5,0 mm (0.197")



Materials
see page 12



Sprockets
see pages 155+156



Corner tracks
see page 322



Applications
see page 20

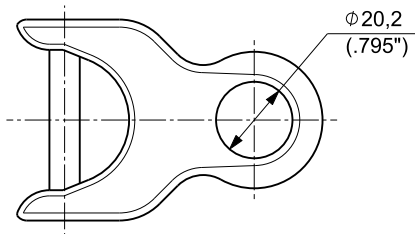
MATERIALS		ITEM DESCRIPTION	PART NUMBER	WIDTH W		SIDEFLEXING RADIUS R		WORKING LOAD (25°C/77°F)		WEIGHT	
Plate	Pin			mm	inch	mm	inch	N	kg/m	lbs/ft	
WHITE ACETAL RESIN WA	AUSTENITIC STAINLESS STEEL	1701TA	1701TA/000	53	2.09	140	5.51	3300	647	1,48	0.99
ULTRA PERFORMANCE HOMOPOLYMER DELRIN® UP	AUSTENITIC STAINLESS STEEL	UP 1701TA	UP1701TA/000	53	2.09	140	5.51	3000	647	1,42	0.95
SPECIAL DELRIN® REINFORCED WITH KEVLAR® D2K	AUSTENITIC STAINLESS STEEL	D2K 1701TA	D2K1701TA/000	53	2.09	140	5.51	3000	647	1,40	0.94



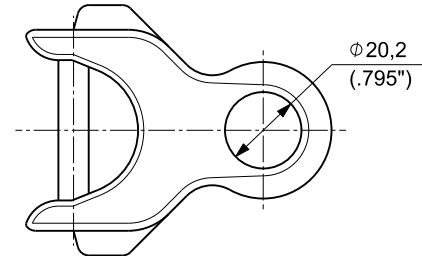
Standard packaging:
Rolls of 3,000 m (9,842 feet)

1702 AND 1701T SERIES WITH PUSHERS

REGINA can supply, on request, loose flights with holes plus pins and pushers which the customer can assemble on the standard biplanar chains type 1702 and 1701T.



PART NUMBER: **136/1702**

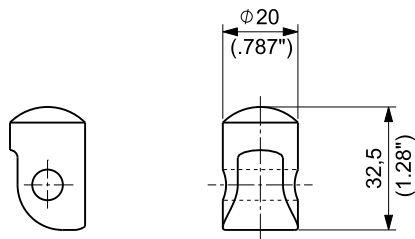


PART NUMBER: **136/1701T**

Two types of pushers are available:

TYPE "S" PUSHERS

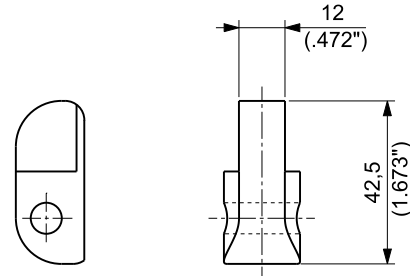
With possibility of product accumulation.
This type of pusher has a rounded shape which allows some products accumulation.



PART NUMBER: **232/1700**

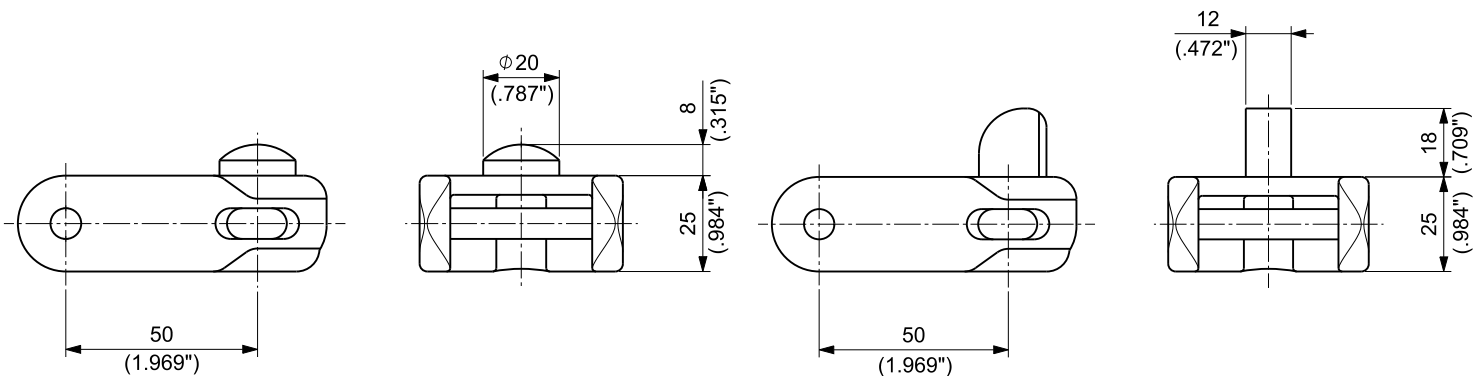
TYPE "L" PUSHERS

With no possibility of product accumulation.
This type of pusher has an height that prevents any products accumulation.



PART NUMBER: **233/1700**

Example of 1702 chain with pushers:

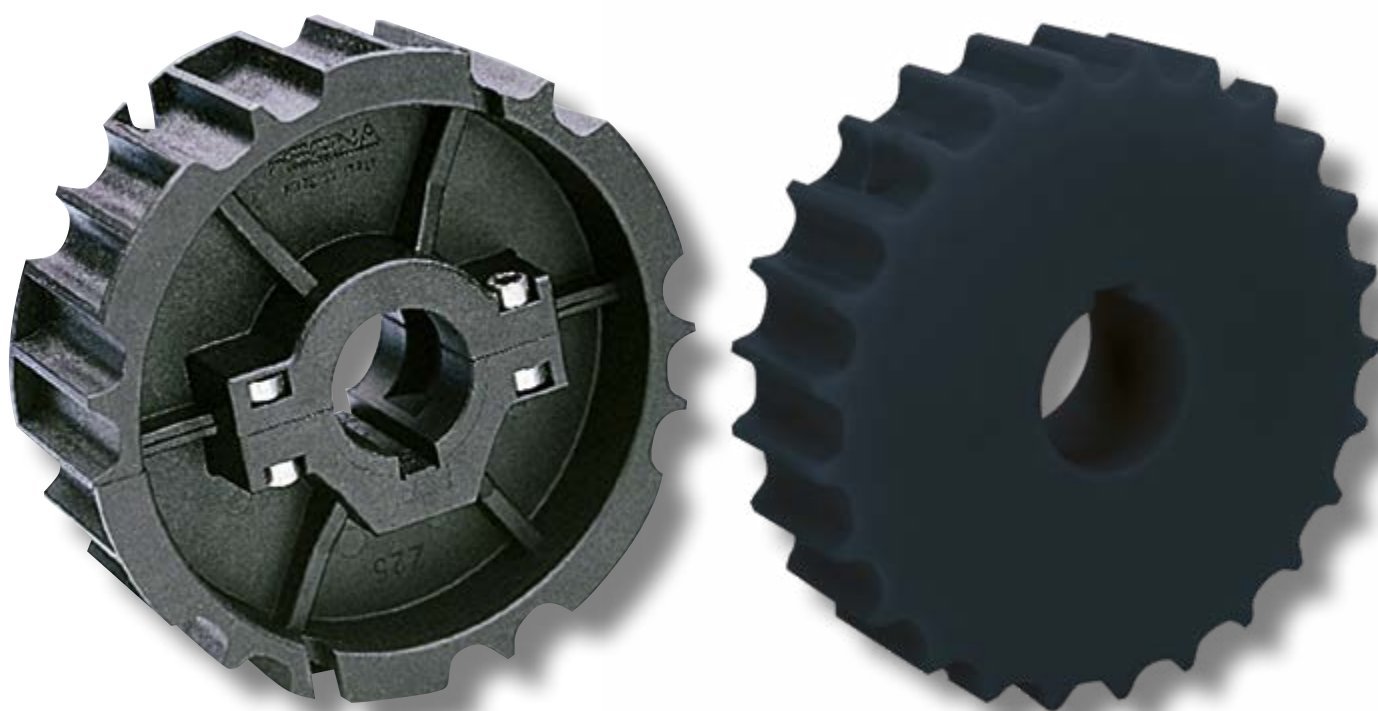




PERFORMANCE IN MOTION

FliteTop[®]

Sprockets for Chains



SPROCKETS SERIES INDEX

815 series	PAGES	119÷122
250 series	PAGES	123÷126
2815 series	PAGES	127÷130
9157 series	PAGES	131÷132
803 series	PAGE	133
881 series	PAGES	134÷139
820 series	PAGES	140÷143
821 series	PAGES	144÷145
880 series	PAGES	146÷148
882 series	PAGES	149÷151
A40 series	PAGE	152
A60 series	PAGE	153
A80 series	PAGE	154
1700 series	PAGES	155÷156

CHAIN SERIES INDEX

SPROCKETS

915, PHD 915, PHDG 915, 981M, PHD 981M, PHDG 981M series	PAGE	119
2815, PHDG 2815 series	PAGE	127
PHD 9157, PHDG 9157, PHD 9857M, PHDG 9857M series	PAGE	131
803 series	PAGE	133
881, 881T, 981, 981T, 982T, PHDG 981T series	PAGE	134
820, 831, HFX 820 series	PAGE	140
821, HFX 821, LBP 821 series	PAGE	144
828, 880, 879, 880T, 879T, 880M RG, 878T, 880TA, HFX 880T, EW 878T, GW 878T, GD 878T, GU 878T series	PAGE	146
8257, 882, 882T, 882M, HFX 8257, HFX 882T, HFX 882M, LBP 8257, LBP 882T, LBP 882M series	PAGE	149
843, 845, RR 845, HF RR 845, 1843T, EW 1843T series	PAGE	152
1864, 1874T, 863, 1863T, 1873T, HFX 1873T, GV 1874, EV 1874T, GW 1873T, EW 1873T, GD 1873T, GU 1873T, GC 1873T series	PAGE	153
1883, HFX 1883 series	PAGE	154
1700, 1702, 1701T series	PAGE	155

SUITABLE FOR CHAINS:

- 915 / PHD 915
- PHDG 915
- 981M / PHD 981M
- PHDG 981M

MATERIALS

SPROCKETS: **PGF** REINFORCED POLYAMIDE

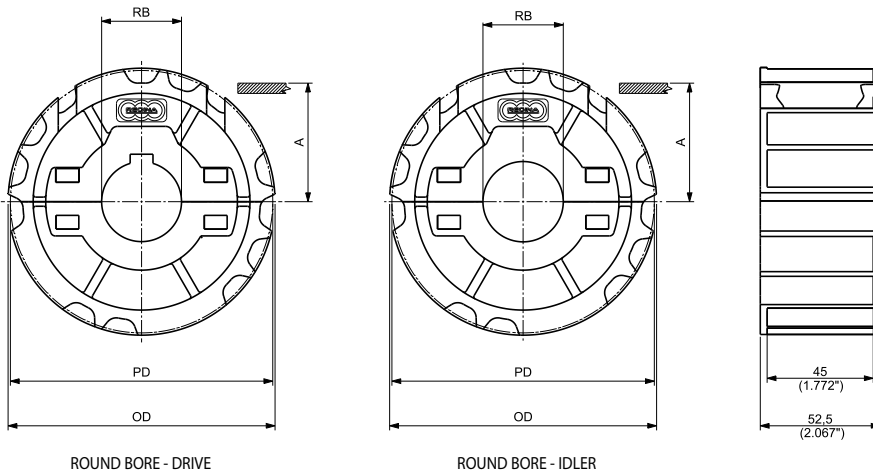
SCREWS: **SS** STAINLESS STEEL

NUTS: **B+NC** NICKEL PLATED BRASS



19T & 21T SPROCKETS

(for 23T & 25T see next page)



MOULDED SPLIT DRIVE AND IDLER SPROCKETS

N. TEETH	PITCH DIAMETER PD		OUTSIDE DIAMETER OD		WEAR STRIP POSITIONING A		BORE SIZE*		PART NUMBER		WEIGHT		
	mm	inch	mm	inch	mm	inch	mm	inch**	DRIVE	ROUND BORE RB	IDLER	Kg	lbs
19	117,34	4.620	117,00	4.606	62,07	2.444	25		CMT028151901		CMT038151901	0,40	0.88
							30		CMT028151902		CMT038151902	0,39	0.86
							35		CMT028151903		CMT038151903	0,38	0.84
							40		CMT028151904		CMT038151904	0,37	0.82
							45		CMT028151905		CMT038151905	0,36	0.79
							1		CMT028151906		CMT038151906	0,40	0.88
							1 ¼		CMT028151908		CMT038151908	0,39	0.86
							1 ⅜		CMT028151911		CMT038151911	0,39	0.86
							1 7/16		CMT028151909		CMT038151909	0,38	0.84
							1 ½		CMT028151910		CMT038151910	0,37	0.82
21	129,30	5.091	130,00	5.118	68,05	2.679	25		CMT028152101		CMT038152101	0,52	1.15
							30		CMT028152102		CMT038152102	0,51	1.12
							35		CMT028152103		CMT038152103	0,50	1.10
							40		CMT028152104		CMT038152104	0,48	1.06
							45		CMT028152105		CMT038152105	0,47	1.04
							1		CMT028152106		CMT038152106	0,52	1.15
							1 ¼		CMT028152108		CMT038152108	0,51	1.12
							1 ⅜		CMT028152111		CMT038152111	0,50	1.10
							1 7/16		CMT028152109		CMT038152109	0,49	1.08
							1 ½		CMT028152110		CMT038152110	0,49	1.08

*Diameter is indicated.

** Imperial round bore drive sprockets are supplied with setscrew. Metric round bore drive sprockets are supplied without setscrew.

SUITABLE FOR CHAINS:

- 915 / PHD 915
- PHDG 915
- 981M / PHD 981M
- PHDG 981M

MATERIALS

SPROCKETS: **PGF** REINFORCED POLYAMIDE

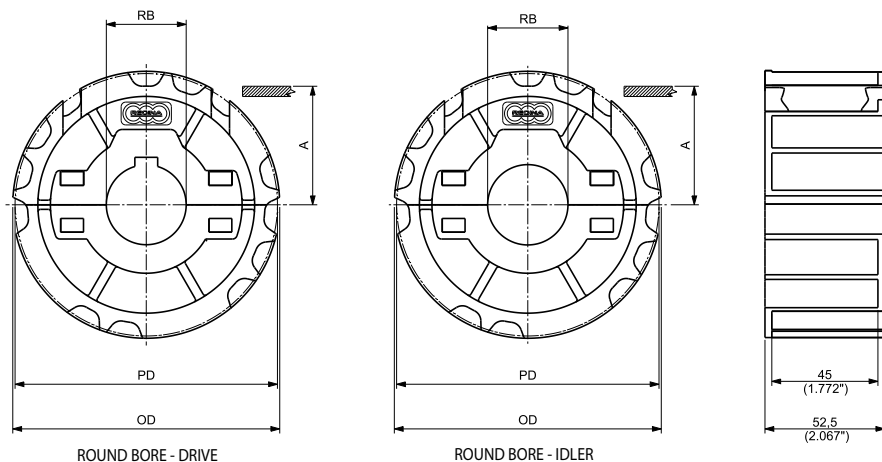
SCREWS: **SS** STAINLESS STEEL

NUTS: **B+NC** NICKEL PLATED BRASS



23T & 25T SPROCKETS

(for 19T & 21T see previous page)



MOULDED SPLIT DRIVE AND IDLER SPROCKETS

N. TEETH	PITCH DIAMETER PD		OUTSIDE DIAMETER OD		WEAR STRIP POSITIONING A		BORE SIZE*		PART NUMBER ROUND BORE RB		WEIGHT	
	mm	inch	mm	inch	mm	inch	mm	inch**	DRIVE	IDLER	Kg	lbs
23	141,20	5.559	141,90	5.587	74,00	2.913	25		CMT028152301	CMT038152301	0,57	1.26
							30		CMT028152302	CMT038152302	0,56	1.23
							35		CMT028152303	CMT038152303	0,55	1.21
							40		CMT028152304	CMT038152304	0,53	1.17
							45		CMT028152305	CMT038152305	0,52	1.15
							1		CMT028152306	CMT038152306	0,57	1.26
							1 ¼		CMT028152308	CMT038152308	0,56	1.23
							1 ⅜		CMT028152311	CMT038152311	0,55	1.21
							1 ⅞		CMT028152309	CMT038152309	0,54	1.19
							1 ½		CMT028152310	CMT038152310	0,54	1.19
25	153,19	6.031	154,20	6.071	80,00	3.150	25		CMT028152501	CMT038152501	0,62	1.37
							30		CMT028152502	CMT038152502	0,61	1.34
							35		CMT028152503	CMT038152503	0,60	1.32
							40		CMT028152504	CMT038152504	0,59	1.30
							45		CMT028152505	CMT038152505	0,57	1.26
							1		CMT028152506	CMT038152506	0,62	1.37
							1 ¼		CMT028152508	CMT038152508	0,61	1.34
							1 ⅜		CMT028152511	CMT038152511	0,60	1.32
							1 ⅞		CMT028152509	CMT038152509	0,60	1.32
							1 ½		CMT028152510	CMT038152510	0,59	1.30

*Diameter is indicated.

**Imperial round bore drive sprockets are supplied with setscrew. Metric round bore drive sprockets are supplied without setscrew.

SUITABLE FOR CHAINS:

- 915 / PHD 915
- PHDG 915
- 981M / PHD 981M
- PHDG 981M

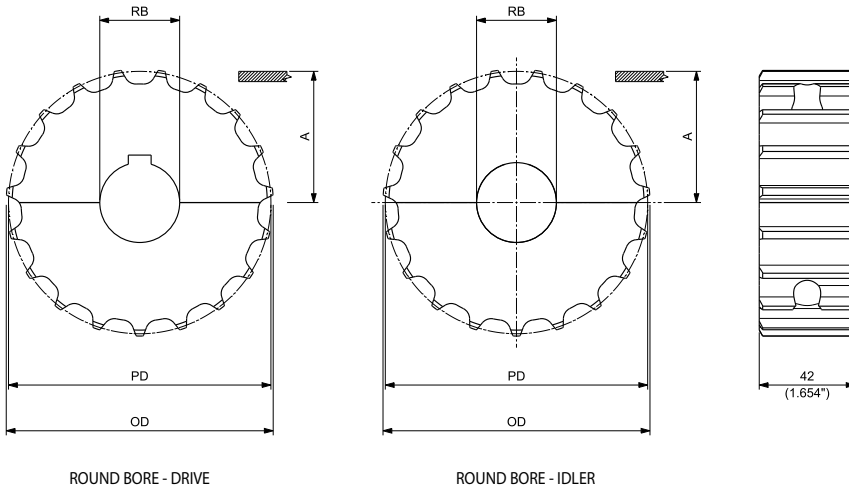
MATERIALS

SPROCKETS:	PA	POLYAMIDE
SCREWS:	SS	STAINLESS STEEL
NUTS:	B	BRASS



17T, 19T & 21T SPROCKETS

(for 23T, 25T & 27T see next page)



MACHINED SPLIT DRIVE AND IDLER SPROCKETS

N. TEETH	PITCH DIAMETER PD		OUTSIDE DIAMETER OD		WEAR STRIP POSITIONING A		BORE SIZE*		PART NUMBER ROUND BORE RB		WEIGHT	
	mm	inch	mm	inch	mm	inch	mm	inch**	DRIVE	IDLER	Kg	lbs
17	105,47	4.152	104,40	4.110	56,34	2.218	25		CMAS028151725	CMAS038151725	0,36	0.80
							30		CMAS028151730	CMAS038151730	0,35	0.78
							35		CMAS028151735	CMAS038151735	0,34	0.75
							40		CMAS028151740	CMAS038151740	0,33	0.72
							1		CMAS0281517254	CMAS0381517254	0,36	0.80
							1 ¼		CMAS0281517317	CMAS0381517317	0,35	0.78
							1 ⅜		CMAS0281517349	CMAS0381517349	0,35	0.78
							1 7/16		CMAS0281517365	CMAS0381517365	0,34	0.75
19	117,34	4.620	117,00	4.606	62,27	2.452	25		CMAS028151925	CMAS038151925	0,45	1.00
							30		CMAS028151930	CMAS038151930	0,44	0.97
							35		CMAS028151935	CMAS038151935	0,43	0.95
							40		CMAS028151940	CMAS038151940	0,42	0.92
							1		CMAS0281519254	CMAS0381519254	0,45	1.00
							1 ¼		CMAS0281519317	CMAS0381519317	0,45	1.00
							1 ⅜		CMAS0281519349	CMAS0381519349	0,44	0.97
							1 7/16		CMAS0281519365	CMAS0381519365	0,43	0.94
21	129,26	5.089	129,40	5.094	68,23	2.686	25		CMAS028152125	CMAS038152125	0,54	1.20
							30		CMAS028152130	CMAS038152130	0,57	1.26
							35		CMAS028152135	CMAS038152135	0,53	1.17
							40		CMAS028152140	CMAS038152140	0,52	1.14
							1		CMAS0281521254	CMAS0381521254	0,55	1.22
							1 ¼		CMAS0281521317	CMAS0381521317	0,55	1.22
							1 ⅜		CMAS0281521349	CMAS0381521349	0,54	1.20
							1 7/16		CMAS0281521365	CMAS0381521365	0,53	1.17
1 ½		CMAS0281521381	CMAS0381521381	0,52	1.15							

*Diameter is indicated.

** Imperial round bore drive sprockets are supplied with setscrew. Metric round bore drive sprockets are supplied without setscrew.

SUITABLE FOR CHAINS:

- 915 / PHD 915
- PHDG 915
- 981M / PHD 981M
- PHDG 981M

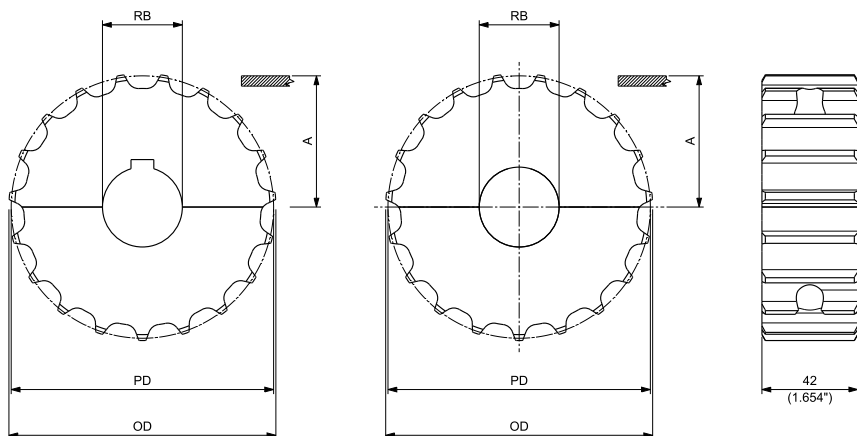
MATERIALS

SPROCKETS:	PA	POLYAMIDE
SCREWS:	SS	STAINLESS STEEL
NUTS:	B	BRASS



23T, 25T & 27T SPROCKETS

(for 17T, 19T & 21T see previous page)



ROUND BORE - DRIVE

ROUND BORE - IDLER

MACHINED SPLIT DRIVE AND IDLER SPROCKETS

N. TEETH	PITCH DIAMETER PD		OUTSIDE DIAMETER OD		WEAR STRIP POSITIONING A		BORE SIZE*	PART NUMBER ROUND BORE RB		WEIGHT	
	mm	inch	mm	inch	mm	inch		DRIVE	IDLER	Kg	lbs
23	141,22	5.560	141,90	5.587	74,21	2.922	25	CMAS028152325	CMAS038152325	0,66	1.46
							30	CMAS028152330	CMAS038152330	0,65	1.44
							35	CMAS028152335	CMAS038152335	0,64	1.41
							40	CMAS028152340	CMAS038152340	0,63	1.38
							1	CMAS0281523254	CMAS0381523254	0,66	1.46
							1 ¼	CMAS0281523317	CMAS0381523317	0,66	1.46
							1 ⅜	CMAS0281523349	CMAS0381523349	0,65	1.44
							1 ⅞	CMAS0281523365	CMAS0381523365	0,64	1.41
25	153,20	6.031	154,20	6.071	80,20	3.157	25	CMAS028152525	CMAS038152525	0,82	1.80
							30	CMAS028152530	CMAS038152530	0,81	1.77
							35	CMAS028152535	CMAS038152535	0,79	1.75
							40	CMAS028152540	CMAS038152540	0,78	1.71
							1	CMAS0281525254	CMAS0381525254	0,82	1.80
							1 ¼	CMAS0281525317	CMAS0381525317	0,82	1.80
							1 ⅜	CMAS0281525349	CMAS0381525349	0,81	1.77
							1 ⅞	CMAS0281525365	CMAS0381525365	0,79	1.75
27	165,21	6.504	166,40	6.551	86,20	3.394	25	CMAS028152725	CMAS038152725	1,01	2.22
							30	CMAS028152730	CMAS038152730	1,00	2.20
							35	CMAS028152735	CMAS038152735	0,98	2.17
							40	CMAS028152740	CMAS038152740	0,97	2.14
							1	CMAS0281527254	CMAS0381527254	1,00	2.20
							1 ¼	CMAS0281527317	CMAS0381527317	0,98	2.16
							1 ⅜	CMAS0281527349	CMAS0381527349	0,98	2.16
							1 ⅞	CMAS0281527365	CMAS0381527365	0,97	2.14
1 ½	CMAS0281527381	CMAS0381527381	0,97	2.14							

*Diameter is indicated.

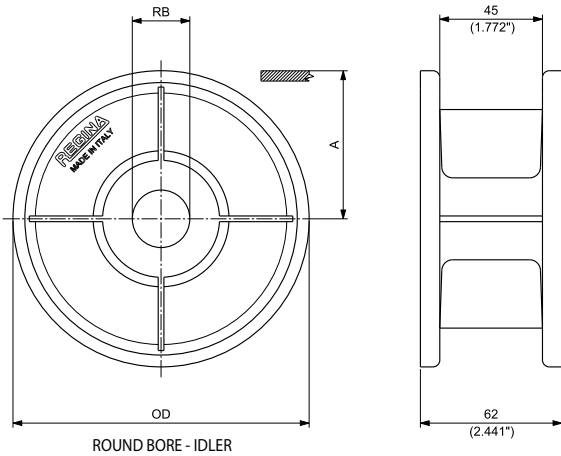
** Imperial round bore drive sprockets are supplied with setscrew. Metric round bore drive sprockets are supplied without setscrew.

SUITABLE FOR CHAINS:

- 915 / PHD 915
- PHDG 915
- 881
- 981 / 981M / PHD 981M
- PHDG 981M
- 820
- HFX 820
- 831
- 828
- 880 / 880M RG
- 879

MATERIALS

SPROCKETS: **PGF** REINFORCED POLYAMIDE



MOULDED SOLID IDLER WHEELS

N. TEETH	OUTSIDE DIAMETER OD		WEAR STRIP POSITIONING A		BORE SIZE*		PART NUMBER ROUND BORE RB IDLER	WEIGHT	
	mm	inch	mm	inch	mm	inch		Kg	lbs
21	129,80	5.110	64,90	2.555	1	1	CMT032502101	0,22	0.48
							CMT032502102	0,22	0.49
							CMT032502103	0,22	0.49
							CMT032502104	0,20	0.44
							CMT032502106	0,22	0.49
							CMT032502108	0,21	0.47
							CMT032502111	0,21	0.47
							CMT032502109	0,20	0.44
23	142,30	5.602	71,15	2.801	1	1 1/4	CMT032502301	0,25	0.54
							CMT032502302	0,25	0.55
							CMT032502303	0,24	0.53
							CMT032502304	0,24	0.54
							CMT032502306	0,24	0.54
							CMT032502308	0,24	0.53
							CMT032502311	0,24	0.53
							CMT032502309	0,24	0.53
25	154,70	6.091	77,35	3.045	1 1/2	1 1/2	CMT032502501	0,30	0.65
							CMT032502502	0,30	0.66
							CMT032502503	0,29	0.64
							CMT032502504	0,28	0.62
							CMT032502506	0,30	0.65
							CMT032502508	0,29	0.64
							CMT032502511	0,29	0.64
							CMT032502509	0,29	0.64
							CMT032502510	0,28	0.61

*Diameter is indicated.

SUITABLE FOR CHAINS:

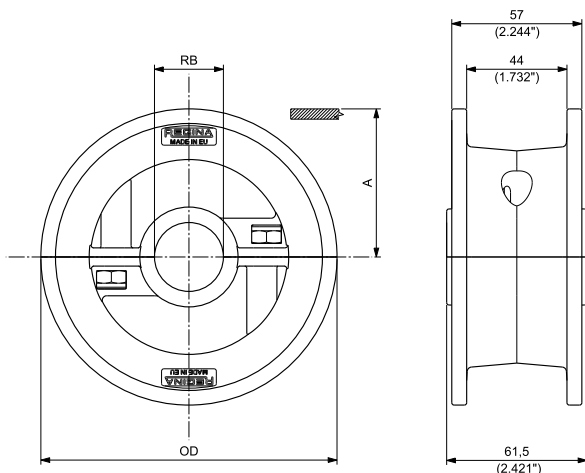
- 915 / PHD 915
- PHDG 915
- 881
- 981 / 981M / PHD 981M
- PHDG 981M
- 820
- HFX 820
- 831
- 828
- 880 / 880M RG

MATERIALS

SPROCKETS: **PGF** REINFORCED POLYAMIDE

SCREWS: **SS** STAINLESS STEEL

NUTS: **S+ZN** ZINC PLATED STEEL



ROUND BORE - IDLER

MOULDED SPLIT IDLER WHEELS

N. TEETH	OUTSIDE DIAMETER OD		WEAR STRIP POSITIONING A		BORE SIZE*		PART NUMBER ROUND BORE RB IDLER	WEIGHT	
	mm	inch	mm	inch	mm	inch		Kg	lbs
21	129,80	5.110	64,90	2.555	25		CMTS048152125	0,33	0.72
					30		CMTS048152130	0,33	0.73
					35		CMTS048152135	0,31	0.68
					40		CMTS048152140	0,34	0.76
					45		CMTS048152145	0,31	0.69
					1		CMTS0481521254	0,33	0.72
					1 ¼		CMTS0481521317	0,32	0.71
23	142,30	5.602	71,15	2.801	25		CMTS048152325	0,36	0.80
					30		CMTS048152330	0,37	0.81
					35		CMTS048152335	0,35	0.76
					40		CMTS048152340	0,38	0.84
					45		CMTS048152345	0,35	0.77
					1		CMTS0481523254	0,36	0.80
					1 ¼		CMTS0481523317	0,36	0.79
25	154,70	6.091	77,35	3.045	25		CMTS048152525	0,40	0.89
					30		CMTS048152530	0,41	0.90
					35		CMTS048152535	0,39	0.85
					40		CMTS048152540	0,42	0.92
					45		CMTS048152545	0,39	0.86
					1		CMTS0481525254	0,40	0.89
					1 ¼		CMTS0481525317	0,40	0.88

*Diameter is indicated.

SUITABLE FOR CHAINS:

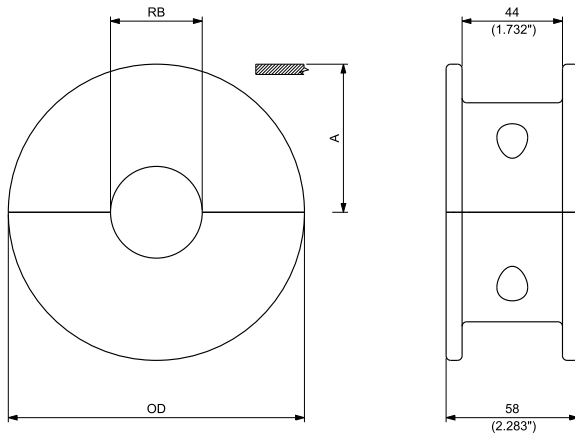
- 915 / PHD 915
- PHDG 915
- 881
- 981 / 981M / PHD 981M
- PHDG 981M
- 820
- HFX 820
- 831
- 828
- 880 / 880M RG
- 879

MATERIALS	
SPROCKETS:	PA POLYAMIDE
SCREWS:	SS STAINLESS STEEL
NUTS:	B BRASS



17T & 19T IDLER WHEELS

(for 21T, 23T & 25T see next page)



ROUND BORE - IDLER

MACHINED SPLIT IDLER WHEELS

N. TEETH	OUTSIDE DIAMETER OD		WEAR STRIP POSITIONING A		BORE SIZE*		PART NUMBER ROUND BORE RB IDLER	WEIGHT	
	mm	inch	mm	inch	mm	inch		Kg	lbs
17	106,50	4.193	53,25	2.096	25		CMAS048151725	0,34	0.76
					30		CMAS048151730	0,33	0.73
					35		CMAS048151735	0,31	0.69
					40		CMAS048151740	0,29	0.65
					1		CMAS0481517254	0,34	0.76
					1 ¼		CMAS0481517317	0,32	0.71
					1 ⅜		CMAS0481517349	0,32	0.71
					1 ⅞		CMAS0481517365	0,31	0.69
19	118,00	4.646	59,00	2.323	25		CMAS048151925	0,45	1.00
					30		CMAS048151930	0,44	0.97
					35		CMAS048151935	0,42	0.93
					40		CMAS048151940	0,40	0.89
					1		CMAS0481519254	0,45	1.00
					1 ¼		CMAS0481519317	0,42	0.92
					1 ⅜		CMAS0481519349	0,42	0.92
					1 ⅞		CMAS0481519365	0,40	0.89
				1 ½		CMAS0481519381	0,38	0.84	

*Diameter is indicated.

SUITABLE FOR CHAINS:

- 915 / PHD 915
- PHDG 915
- 881 / 981 / 981M / PHD 981M
- PHDG 981M
- 820 / HFX 820
- 831
- 828
- 880 / 880M RG
- 879

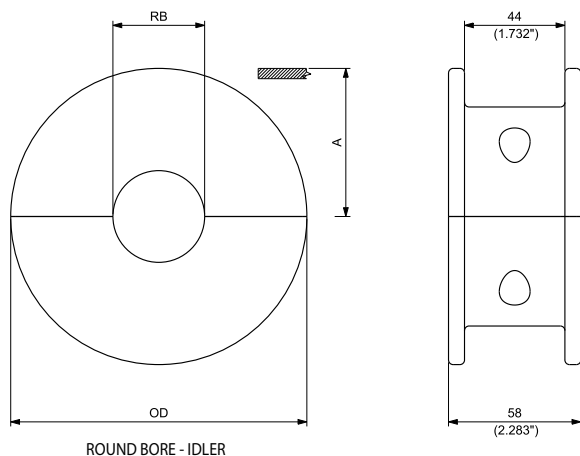
MATERIALS

SPROCKETS:	PA	POLYAMIDE
SCREWS:	SS	STAINLESS STEEL
NUTS:	B	BRASS



21T, 23T & 25T IDLER WHEELS

(for 17T & 19T see previous page)



ROUND BORE - IDLER

MACHINED SPLIT IDLER WHEELS

N. TEETH	OUTSIDE DIAMETER OD		WEAR STRIP POSITIONING A		BORE SIZE*		PART NUMBER ROUND BORE RB IDLER	WEIGHT	
	mm	inch	mm	inch	mm	inch		Kg	lbs
21	129,80	5.110	64,90	2.555	25		CMAS048152125	0,58	1.27
					30		CMAS048152130	0,56	1.24
					35		CMAS048152135	0,54	1.20
					40		CMAS048152140	0,52	1.15
					1		CMAS0481521254	0,58	1.27
					1 ¼		CMAS0481521317	0,56	1.24
					1 7/16		CMAS0481521365	0,54	1.20
					1 ½		CMAS0481521381	0,53	1.17
23	142,30	5.602	71,15	2.801	25		CMAS048152325	0,72	1.58
					30		CMAS048152330	0,70	1.55
					35		CMAS048152335	0,69	1.51
					40		CMAS048152340	0,67	1.47
					1		CMAS0481523254	0,72	1.58
					1 ¼		CMAS0481523317	0,70	1.55
					1 7/16		CMAS0481523365	0,69	1.51
					1 ½		CMAS0481523381	0,67	1.49
25	154,70	6.091	77,35	3.045	25		CMAS048152525	0,87	1.92
					30		CMAS048152530	0,85	1.88
					35		CMAS048152535	0,84	1.85
					40		CMAS048152540	0,82	1.80
					1		CMAS0481525254	0,87	1.91
					1 ¼		CMAS0481525317	0,85	1.88
					1 7/16		CMAS0481525365	0,84	1.85
					1 ½		CMAS0481525381	0,83	1.82

*Diameter is indicated.

SUITABLE FOR CHAINS:

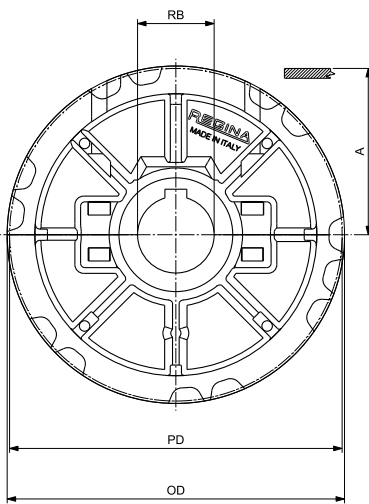
- 2815 / PHD 2815
- PHDG 2815

MATERIALS

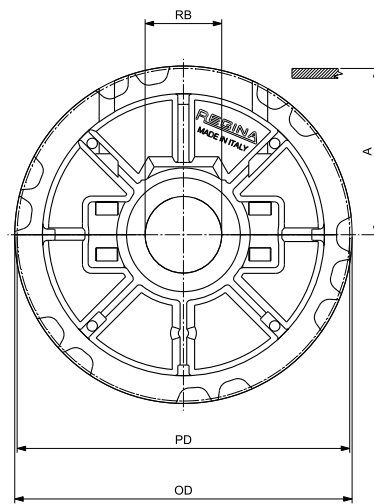
SPROCKETS: **PGF** REINFORCED POLYAMIDE

SCREWS: **SS** STAINLESS STEEL

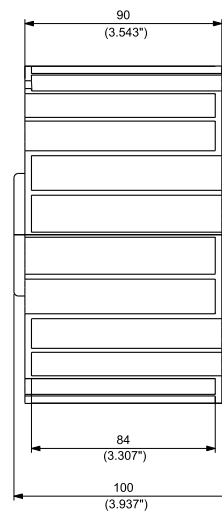
NUTS: **B+NC** NICKEL PLATED BRASS



ROUND BORE - DRIVE



ROUND BORE - IDLER



MOULDED SPLIT DRIVE AND IDLER SPROCKETS

N. TEETH	PITCH DIAMETER PD		OUTSIDE DIAMETER OD		WEAR STRIP POSITIONING A		BORE SIZE*		PART NUMBER ROUND BORE RB		WEIGHT	
	mm	inch	mm	inch	mm	inch	mm	inch**	DRIVE	IDLER	Kg	lbs
25	153,20	6.031	154,20	6.071	80,00	3.150	30		CMT022802502	CMT032802502	1,05	2.30
							35		CMT022802503	CMT032802503	1,03	2.27
							40		CMT022802504	CMT032802504	1,01	2.22
							45		CMT022802505	CMT032802505	0,98	2.16
								1 ¼	CMT022802508	CMT032802508	1,04	2.29
								1 ⅜	CMT022802511	CMT032802511	1,03	2.27
								1 ⅞	CMT022802509	CMT032802509	1,02	2.25
								1 ½	CMT022802510	CMT032802510	1,01	2.24

*Diameter is indicated.

** Imperial round bore drive sprockets are supplied with setscrew. Metric round bore drive sprockets are supplied without setscrew.

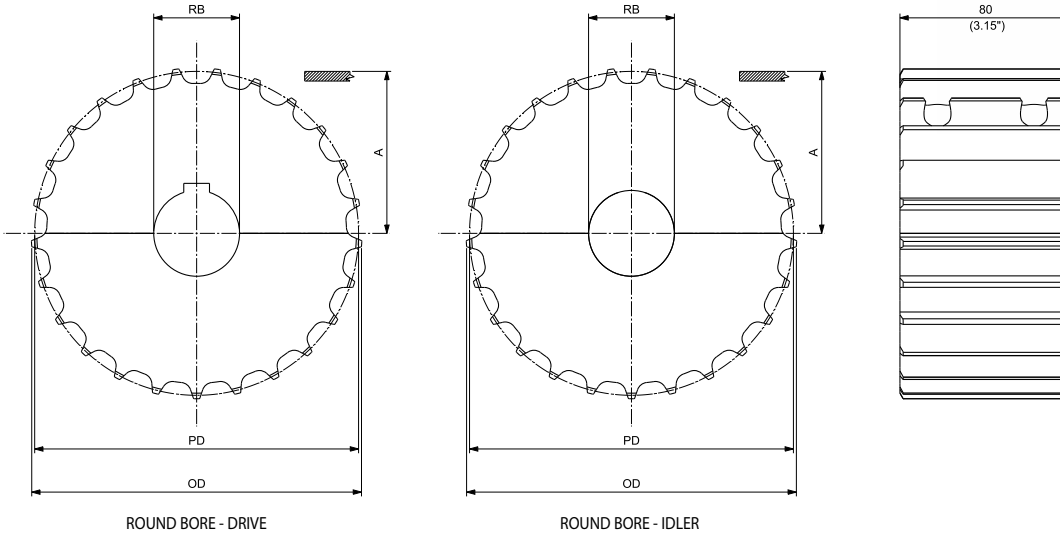
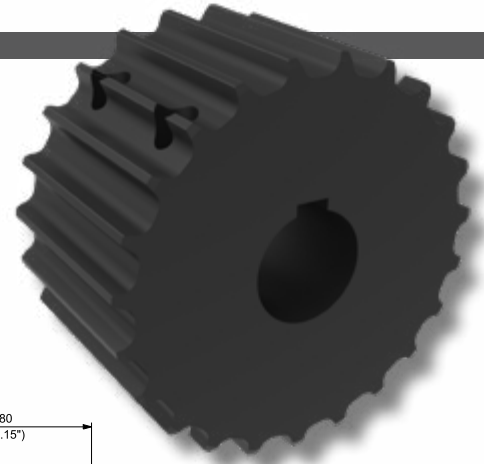
SUITABLE FOR CHAINS:

- 2815 / PHD 2815
- PHDG 2815
- 821
- HFX 821
- LBP 821

19T, 21T & 23T SPROCKETS

(for 25T, 27T & 29T see next page)

MATERIALS	
SPROCKETS:	PA POLYAMIDE
SCREWS:	SS STAINLESS STEEL
NUTS:	B BRASS



MACHINED SPLIT DRIVE AND IDLER SPROCKETS

N. TEETH	PITCH DIAMETER PD		OUTSIDE DIAMETER OD		WEAR STRIP POSITIONING A		BORE SIZE*	PART NUMBER ROUND BORE RB		WEIGHT	
	mm	inch	mm	inch	mm	inch		DRIVE	IDLER	Kg	lbs
19	117,34	4.620	117,00	4.606	62,27	2.452	25	CMAS0228151925	CMAS0328151925	0,87	1.92
							30	CMAS0228151930	CMAS0328151930	0,85	1.88
							35	CMAS0228151935	CMAS0328151935	0,83	1.83
							40	CMAS0228151940	CMAS0328151940	0,80	1.77
							1	CMAS02281519254	CMAS03281519254	0,87	1.92
							1 ¼	CMAS02281519317	CMAS03281519317	0,87	1.92
							1 ⅜	CMAS02281519349	CMAS03281519349	0,85	1.88
							1 ⅞	CMAS02281519365	CMAS03281519365	0,82	1.81
21	129,26	5.089	129,40	5.094	68,23	2.686	25	CMAS0228152125	CMAS0328152125	1,07	2.36
							30	CMAS0228152130	CMAS0328152130	1,04	2.29
							35	CMAS0228152135	CMAS0328152135	1,01	2.23
							40	CMAS0228152140	CMAS0328152140	0,99	2.17
							1	CMAS02281521254	CMAS03281521254	1,06	2.33
							1 ¼	CMAS02281521317	CMAS03281521317	1,06	2.33
							1 ⅜	CMAS02281521349	CMAS03281521349	1,04	2.29
							1 ⅞	CMAS02281521365	CMAS03281521365	0,99	2.17
23	141,22	5.560	141,90	5.587	74,21	2.922	25	CMAS0228152325	CMAS0328152325	1,27	2.81
							30	CMAS0228152330	CMAS0328152330	1,25	2.76
							35	CMAS0228152335	CMAS0328152335	1,23	2.71
							40	CMAS0228152340	CMAS0328152340	1,17	2.58
							1	CMAS02281523254	CMAS03281523254	1,27	2.80
							1 ¼	CMAS02281523317	CMAS03281523317	1,27	2.80
							1 ⅜	CMAS02281523349	CMAS03281523349	1,25	2.76
							1 ⅞	CMAS02281523365	CMAS03281523365	1,23	2.71
						1 ½	CMAS02281523381	CMAS03281523381	1,21	2.68	

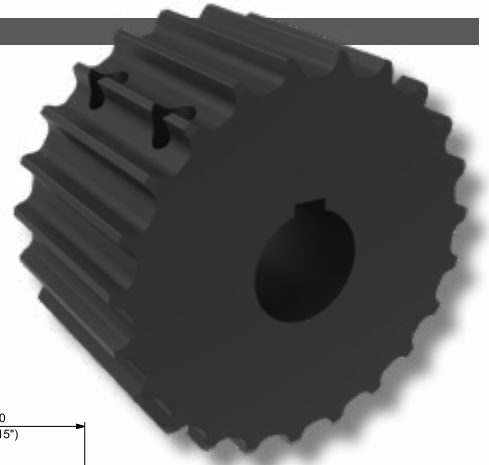
*Diameter is indicated.

** Imperial round bore drive sprockets are supplied with setscrew. Metric round bore drive sprockets are supplied without setscrew.

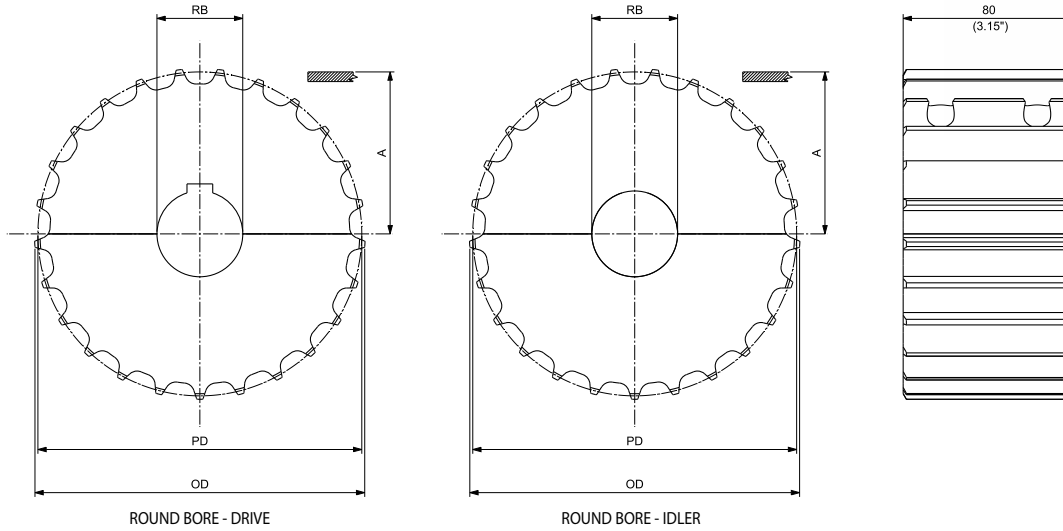
SUITABLE FOR CHAINS:

- 2815 / PHD 2815
- PHDG 2815
- 821
- HFX 821
- LBP 821

MATERIALS	
SPROCKETS:	PA POLYAMIDE
SCREWS:	SS STAINLESS STEEL
NUTS:	B BRASS



25T, 27T & 29T SPROCKETS (for 19T, 21T & 23T see previous page)



MACHINED SPLIT DRIVE AND IDLER SPROCKETS

N. TEETH	PITCH DIAMETER PD		OUTSIDE DIAMETER OD		WEAR STRIP POSITIONING A		BORE SIZE*		PART NUMBER ROUND BORE RB		WEIGHT	
	mm	inch	mm	inch	mm	inch	mm	inch**	DRIVE	IDLER	Kg	lbs
25	153,20	6.031	154,20	6.071	80,20	3.157	25		CMAS0228152525	CMAS0328152525	1,56	3.45
							30		CMAS0228152530	CMAS0328152530	1,54	3.41
							35		CMAS0228152535	CMAS0328152535	1,52	3.36
							40		CMAS0228152540	CMAS0328152540	1,49	3.29
								1	CMAS02281525254	CMAS03281525254	1,56	3.45
								1 ¼	CMAS02281525317	CMAS03281525317	1,54	3.41
								1 ⅜	CMAS02281525349	CMAS03281525349	1,54	3.41
								1 ⅞	CMAS02281525365	CMAS03281525365	1,52	3.36
								1 ½	CMAS02281525381	CMAS03281525381	1,50	3.32
							27	165,21	6.504	166,40	6.551	86,21
30		CMAS0228152730	CMAS0328152730	1,80	3.96							
35		CMAS0228152735	CMAS0328152735	1,77	3.91							
40		CMAS0228152740	CMAS0328152740	1,75	3.85							
	1	CMAS02281527254	CMAS03281527254	1,81	4.00							
	1 ¼	CMAS02281527317	CMAS03281527317	1,81	4.00							
	1 ⅜	CMAS02281527349	CMAS03281527349	1,80	3.96							
	1 ⅞	CMAS02281575365	CMAS03281575365	1,77	3.91							
	1 ½	CMAS02281527381	CMAS03281527381	1,76	3.48							
29	177,23	6.978	178,7	7.035	92,02	3.623						
							30		CMAS0228152930	CMAS0328152930	2,19	4.83
							35		CMAS0228152935	CMAS0328152935	2,17	4.78
							40		CMAS0228152940	CMAS0328152940	2,14	4.72
								1	CMAS02281529254	CMAS03281529254	2,20	4.85
								1 ¼	CMAS02281529317	CMAS03281529317	2,19	4.83
								1 ⅜	CMAS02281529349	CMAS03281529349	2,17	4.78
								1 ⅞	CMAS02281529365	CMAS03281529365	2,14	4.72
								1 ½	CMAS02281529381	CMAS03281529381	2,12	4.67

*Diameter is indicated.

** Imperial round bore drive sprockets are supplied with setscrew. Metric round bore drive sprockets are supplied without setscrew.

SUITABLE FOR CHAINS:

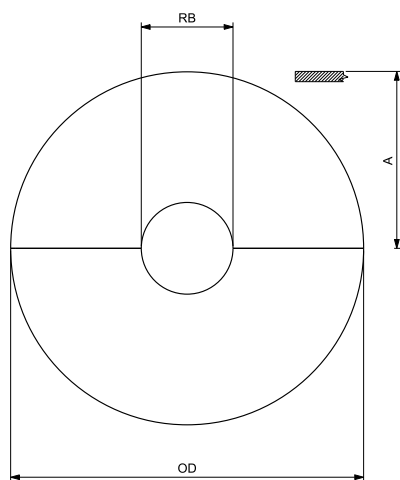
- 2815 / PHD 2815
- PHDG 2815

MATERIALS

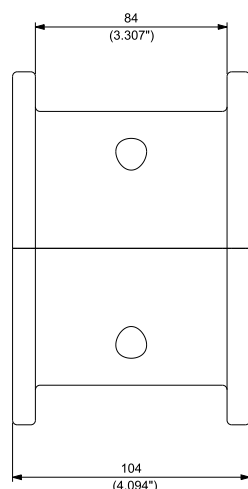
SPROCKETS: **PA** POLYAMIDE

SCREWS: **SS** STAINLESS STEEL

NUTS: **B** BRASS



ROUND BORE - IDLER



MACHINED SPLIT IDLER WHEELS

N. TEETH	OUTSIDE DIAMETER OD		WEAR STRIP POSITIONING A		BORE SIZE*		PART NUMBER ROUND BORE RB IDLER	WEIGHT	
	mm	inch	mm	inch	mm	inch		Kg	lbs
19	118,00	4.646	59,00	2.323	25		CMAS0428151925	0,76	1.67
					30		CMAS0428151930	0,73	1.61
					35		CMAS0428151935	0,70	1.55
					40		CMAS0428151940	0,67	1.47
						1	CMAS04281519254	0,76	1.67
						1 ¼	CMAS04281519317	0,73	1.61
						1 ⅜	CMAS04281519349	0,70	1.55
21	129,80	5.110	64,90	2.555	25		CMAS0428152125	0,97	2.14
					30		CMAS0428152130	0,94	2.08
					35		CMAS0428152135	0,91	2.02
					40		CMAS0428152140	0,88	1.94
						1	CMAS04281521254	0,97	2.14
						1 ¼	CMAS04281521317	0,94	2.08
						1 ⅜	CMAS04281521349	0,91	2.02
23	142,30	5.602	71,15	2.801	25		CMAS0428152325	1,22	2.69
					30		CMAS0428152330	1,20	2.64
					35		CMAS0428152335	1,16	2.57
					40		CMAS0428152340	1,13	2.49
						1	CMAS04281523254	1,22	2.69
						1 ¼	CMAS04281523317	1,20	2.64
						1 ⅜	CMAS04281523349	1,16	2.57
25	154,70	6.091	77,35	3.045	25		CMAS0428152525	1,49	3.29
					30		CMAS0428152530	1,46	3.23
					35		CMAS0428152535	1,43	3.16
					40		CMAS0428152540	1,40	3.08
						1	CMAS04281525254	1,49	3.28
						1 ¼	CMAS04281525317	1,46	3.23
						1 ⅜	CMAS04281525349	1,43	3.16
	1 ½	CMAS04281525381	1,41	3.12					

*Diameter is indicated.

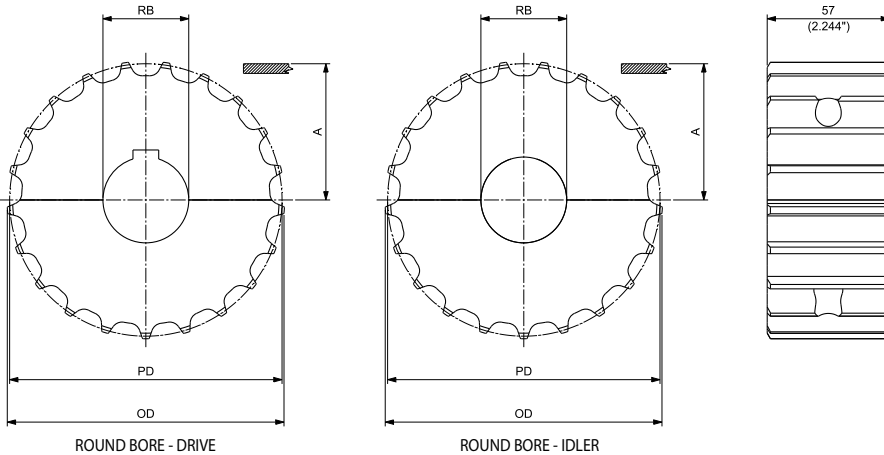
SUITABLE FOR CHAINS:

- PHD 9157
- PHDG 9157
- PHD 9857M
- PHDG 9857M

19T, 21T & 23T SPROCKETS

(for 25T & 27T see next page)

MATERIALS	
SPROCKETS:	PA POLYAMIDE
SCREWS:	SS STAINLESS STEEL
NUTS:	B BRASS



MACHINED SPLIT IDLER WHEELS
SEE PAGE 138

MACHINED SPLIT DRIVE AND IDLER SPROCKETS

N. TEETH	PITCH DIAMETER PD		OUTSIDE DIAMETER OD		WEAR STRIP POSITIONING A		BORE SIZE*		PART NUMBER ROUND BORE RB		WEIGHT	
	mm	inch	mm	inch	mm	inch	mm	inch**	DRIVE	IDLER	Kg	lbs
19	117,34	4.620	117,00	4.606	62,07	2.444	25		CMAS0291571925	CMAS0391571925	0,68	1.50
							30		CMAS0291571930	CMAS0391571930	0,66	1.46
							35		CMAS0291571935	CMAS0391571935	0,64	1.41
							40		CMAS0291571940	CMAS0391571940	0,63	1.39
								1	CMAS02915719254	CMAS03915719254	0,68	1.50
								1 ¼	CMAS02915719317	CMAS03915719317	0,67	1.48
								1 ⅜	CMAS02915719349	CMAS03915719349	0,66	1.46
21	129,26	5.089	129,40	5.094	68,03	2.678	25		CMAS0291572125	CMAS0391572125	0,74	1.64
							30		CMAS0291572130	CMAS0391572130	0,73	1.60
							35		CMAS0291572135	CMAS0391572135	0,71	1.57
							40		CMAS0291572140	CMAS0391572140	0,69	1.53
								1	CMAS02915721254	CMAS03915721254	0,74	1.63
								1 ¼	CMAS02915721317	CMAS03915721381	0,73	1.60
								1 ⅜	CMAS02915721349	CMAS03915721349	0,73	1.60
23	141,22	5.560	141,90	5.587	74,01	2.914	25		CMAS0291572325	CMAS0391572325	0,99	2.18
							30		CMAS0291572330	CMAS0391572330	0,98	2.16
							35		CMAS0291572335	CMAS0391572335	0,96	2.12
							40		CMAS0291572340	CMAS0391572340	0,94	2.07
								1	CMAS02915723254	CMAS03915723254	0,99	2.18
								1 ¼	CMAS02915723317	CMAS03915723317	0,99	2.18
								1 ⅜	CMAS02915723349	CMAS03915723349	0,98	2.16
	1 ⅝	CMAS02915723365	CMAS03915723365	0,96	2.12							
	1 ½	CMAS02915723381	CMAS03915723381	0,94	2.07							

*Diameter is indicated.

** Imperial round bore drive sprockets are supplied with setscrew. Metric round bore drive sprockets are supplied without setscrew.

SUITABLE FOR CHAINS:

- PHD 9157
- PHDG 9157
- PHD 9857M
- PHDG 9857M

MATERIALS

SPROCKETS: **PA** POLYAMIDE

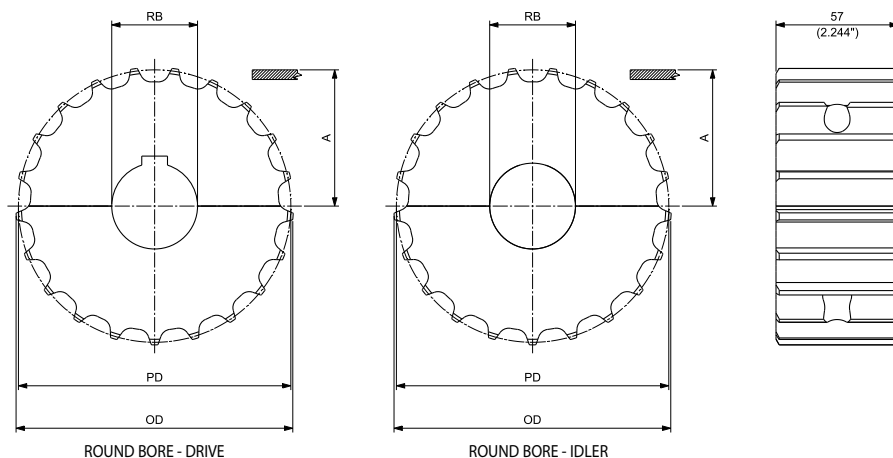
SCREWS: **SS** STAINLESS STEEL

NUTS: **B** BRASS



25T & 27T SPROCKETS

(for 19T, 21T & 23T see previous page)



MACHINED SPLIT IDLER WHEELS
SEE PAGE 138

MACHINED SPLIT DRIVE AND IDLER SPROCKETS

N. TEETH	PITCH DIAMETER PD		OUTSIDE DIAMETER OD		WEAR STRIP POSITIONING A		BORE SIZE*		PART NUMBER ROUND BORE RB		WEIGHT	
	mm	inch	mm	inch	mm	inch	mm	inch**	DRIVE	IDLER	Kg	lbs
25	153,20	6.031	154,20	6.071	80,00	3.150	25		CMAS0291572525	CMAS0391572525	1,09	2.40
							30		CMAS0291572530	CMAS0391572530	1,07	2.37
							35		CMAS0291572535	CMAS0391572535	1,06	2.33
							40		CMAS0291572540	CMAS0391572540	1,04	2.29
							1		CMAS02915725254	CMAS03915725254	1,09	2.40
							1 ¼		CMAS02915725317	CMAS03915725317	1,09	2.40
							1 ⅜		CMAS02915725349	CMAS03915725349	1,07	2.37
							1 ⅞		CMAS02915725365	CMAS03915725365	1,06	2.33
							1 ½		CMAS02915725381	CMAS03915725381	1,05	2.31
							27	165,21	6.504	166,40	6.551	86,01
30		CMAS0291572730	CMAS0391572730	1,26	2.77							
35		CMAS0291572735	CMAS0391572735	1,24	2.74							
40		CMAS0291572740	CMAS0391572740	1,22	2.69							
1		CMAS02915727254	CMAS03915727254	1,27	2.80							
1 ¼		CMAS02915727317	CMAS03915727317	1,27	2.80							
1 ⅜		CMAS02915727349	CMAS03915727349	1,26	2.77							
1 ⅞		CMAS02915727365	CMAS03915727365	1,24	2.74							
1 ½		CMAS02915727381	CMAS03915727381	1,23	2.71							

*Diameter is indicated.

** Imperial round bore drive sprockets are supplied with setscrew. Metric round bore drive sprockets are supplied without setscrew.

SUITABLE FOR CHAINS:

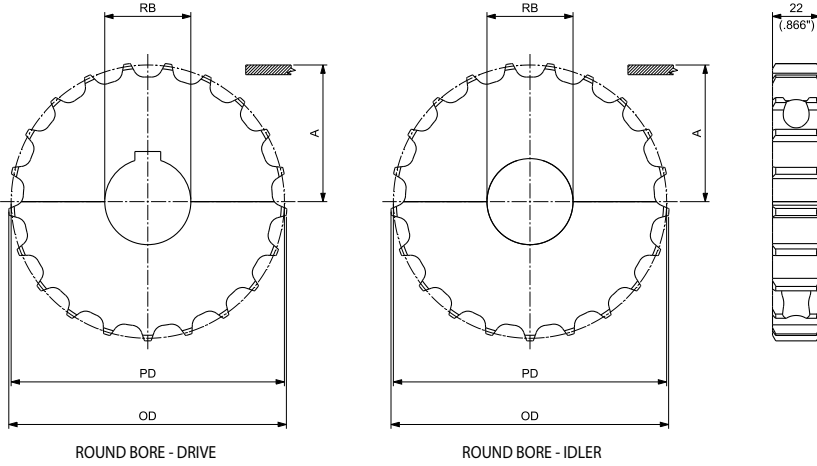
• 803

MATERIALS

SPROCKETS: **PA** POLYAMIDE

SCREWS: **SS** STAINLESS STEEL

NUTS: **B** BRASS



MOULDED SPLIT SPROCKETS
SEE PAGE 134

MACHINED SPLIT DRIVE AND IDLER SPROCKETS

N. TEETH	PITCH DIAMETER PD		OUTSIDE DIAMETER OD		WEAR STRIP POSITIONING A		BORE SIZE*		PART NUMBER ROUND BORE RB		WEIGHT	
	mm	inch	mm	inch	mm	inch	mm	inch**	DRIVE	IDLER	Kg	lbs
17	105,47	4.152	104,40	4.110	55,94	2.202	25		CMAS028031725	CMAS038031725	0,21	0.47
							30		CMAS028031730	CMAS038031730	0,20	0.45
							35		CMAS028031735	CMAS038031735	0,20	0.43
							40		CMAS028031740	CMAS038031740	0,20	0.45
							1		CMAS0280317254	CMAS0380317254	0,21	0.46
							1¼		CMAS0280317317	CMAS0380317317	0,20	0.44
							1½		CMAS0280317381	CMAS0380317381	0,19	0.42
19	117,34	4.620	117,00	4.606	62,87	2.475	25		CMAS028031925	CMAS038031925	0,26	0.57
							30		CMAS028031930	CMAS038031930	0,25	0.56
							35		CMAS028031935	CMAS038031935	0,25	0.54
							40		CMAS028031940	CMAS038031940	0,24	0.52
							1		CMAS0280319254	CMAS0380319254	0,26	0.57
							1¼		CMAS0280319317	CMAS0380319317	0,24	0.54
							1½		CMAS0280319381	CMAS0380319381	0,22	0.49
21	129,26	5.089	129,40	5.094	67,83	2.670	25		CMAS028032125	CMAS038032125	0,31	0.68
							30		CMAS028032130	CMAS038032130	0,30	0.67
							35		CMAS028032135	CMAS038032135	0,30	0.65
							40		CMAS028032140	CMAS038032140	0,29	0.63
							1		CMAS0280321254	CMAS0380321254	0,31	0.68
							1¼		CMAS0280321317	CMAS0380321317	0,29	0.64
							1½		CMAS0280321381	CMAS0380321381	0,27	0.59
23	141,22	5.560	141,90	5.587	73,81	2.906	25		CMAS028032325	CMAS038032325	0,37	0.80
							30		CMAS028032330	CMAS038032330	0,36	0.79
							35		CMAS028032335	CMAS038032335	0,35	0.78
							40		CMAS028032340	CMAS038032340	0,35	0.78
							1		CMAS0280323254	CMAS0380323254	0,36	0.80
							1¼		CMAS0280323317	CMAS0380323317	0,35	0.77
							1½		CMAS0280323381	CMAS0380323381	0,33	0.72
25	153,19	6.031	154,20	6.071	79,80	3.142	25		CMAS028032525	CMAS038032525	0,45	1.00
							30		CMAS028032530	CMAS038032530	0,45	0.99
							35		CMAS028032535	CMAS038032535	0,44	0.97
							40		CMAS028032540	CMAS038032540	0,43	0.96
							1		CMAS0280325254	CMAS0380325254	0,45	1.00
							1¼		CMAS0280325317	CMAS0380325317	0,44	0.96
							1½		CMAS0280325381	CMAS0380325381	0,38	0.84

*Diameter is indicated.

** Imperial round bore drive sprockets are supplied with setscrew. Metric round bore drive sprockets are supplied without setscrew.

SUITABLE FOR CHAINS:

- 881 / 881T
- 981 / 981T
- PHDG 981T
- 982T
- 803

MATERIALS

SPROCKETS: **PGF** REINFORCED POLYAMIDE

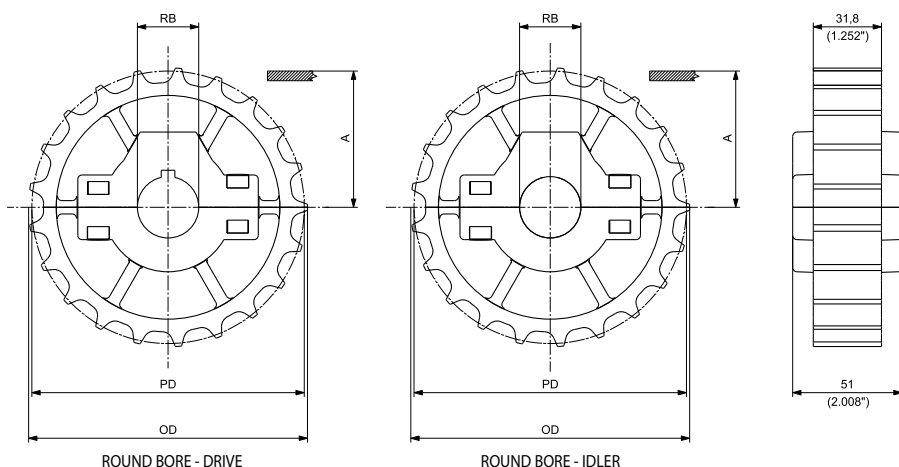
SCREWS: **SS** STAINLESS STEEL

NUTS: **B+NC** NICKEL PLATED BRASS



19T & 21T SPROCKETS

(for 23T & 25T see next page)



ROUND BORE - DRIVE

ROUND BORE - IDLER



MOULDED SPLIT IDLER WHEELS FOR 881/981 CHAINS
SEE PAGE 124



MOULDED SOLID IDLER WHEELS FOR 881/981 CHAINS
SEE PAGE 123

MOULDED SPLIT DRIVE AND IDLER SPROCKETS

N. TEETH	PITCH DIAMETER PD		OUTSIDE DIAMETER OD		WEAR STRIP POSITIONING A		BORE SIZE*		PART NUMBER ROUND BORE RB		WEIGHT	
	mm	inch	mm	inch	mm	inch	mm	inch**	DRIVE	IDLER	Kg	lbs
19	117,34	4.620	117,00	4.606	62,07	2.444	25		CMT028811901	CMT038811901	0,33	0.73
							30		CMT028811902	CMT038811902	0,32	0.71
							35		CMT028811903	CMT038811903	0,31	0.68
							40		CMT028811904	CMT038811904	0,30	0.66
							45		CMT028811905	CMT038811905	0,29	0.64
							1		CMT028811906	CMT038811906	0,33	0.73
							1 ¼		CMT028811908	CMT038811908	0,32	0.71
							1 ⅜		CMT028811911	CMT038811911	0,32	0.71
							1 7/16		CMT028811909	CMT038811909	0,31	0.68
							1 ½		CMT028811910	CMT038811910	0,31	0.68
21	129,30	5.091	130,00	5.118	68,05	2.679	25		CMT028812101	CMT038812101	0,43	0.95
							30		CMT028812102	CMT038812102	0,42	0.93
							35		CMT028812103	CMT038812103	0,41	0.91
							40		CMT028812104	CMT038812104	0,40	0.88
							45		CMT028812105	CMT038812105	0,39	0.85
							1		CMT028812106	CMT038812106	0,43	0.95
							1 ¼		CMT028812108	CMT038812108	0,42	0.92
							1 ⅜		CMT028812111	CMT038812111	0,42	0.92
							1 7/16		CMT028812109	CMT038812109	0,41	0.90
							1 ½		CMT028812110	CMT038812110	0,40	0.89

*Diameter is indicated.

**Imperial round bore drive sprockets are supplied with setscrew. Metric round bore drive sprockets are supplied without setscrew.

SUITABLE FOR CHAINS:

- 881 / 881T
- 981 / 981T
- PHDG 981T
- 982T
- 803

MATERIALS

SPROCKETS: **PGF** REINFORCED POLYAMIDE

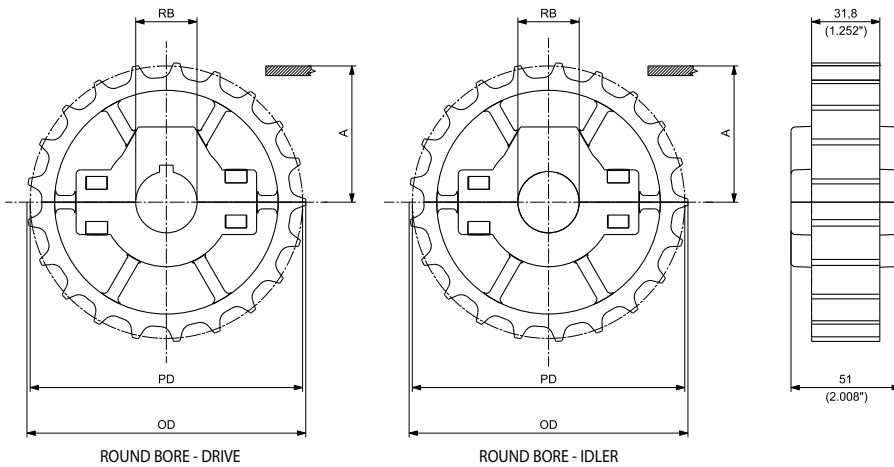
SCREWS: **SS** STAINLESS STEEL

NUTS: **B+NC** NICKEL PLATED BRASS



23T & 25T SPROCKETS

(for 19T & 21T see previous page)



MOULDED SPLIT IDLER WHEELS FOR 881/981 CHAINS
SEE PAGE 124



MOULDED SOLID IDLER WHEELS FOR 881/981 CHAINS
SEE PAGE 123

MOULDED SPLIT DRIVE AND IDLER SPROCKETS

N. TEETH	PITCH DIAMETER PD		OUTSIDE DIAMETER OD		WEAR STRIP POSITIONING A		BORE SIZE*		PART NUMBER ROUND BORE RB		WEIGHT	
	mm	inch	mm	inch	mm	inch	mm	inch**	DRIVE	IDLER	Kg	lbs
23	141,20	5.559	141,90	5.587	74,00	2.913	25		CMT028812301	CMT038812301	0,47	1.04
							30		CMT028812302	CMT038812302	0,46	1.02
							35		CMT028812303	CMT038812303	0,45	1.00
							40		CMT028812304	CMT038812304	0,44	0.97
							45		CMT028812305	CMT038812305	0,43	0.94
							1		CMT028812306	CMT038812306	0,47	1.04
							1 ¼		CMT028812308	CMT038812308	0,46	1.01
							1 ⅜		CMT028812311	CMT038812311	0,46	1.01
							1 ⅞		CMT028812309	CMT038812309	0,45	0.99
							1 ½		CMT028812310	CMT038812310	0,44	0.98
25	153,20	6.031	154,20	6.071	80,00	3.150	25		CMT028812501	CMT038812501	0,51	1.13
							30		CMT028812502	CMT038812502	0,50	1.11
							35		CMT028812503	CMT038812503	0,49	1.09
							40		CMT028812504	CMT038812504	0,48	1.06
							45		CMT028812505	CMT038812505	0,47	1.03
							1		CMT028812506	CMT038812506	0,51	1.13
							1 ¼		CMT028812508	CMT038812508	0,50	1.10
							1 ⅜		CMT028812511	CMT038812511	0,50	1.10
							1 ⅞		CMT028812509	CMT038812509	0,49	1.08
							1 ½		CMT028812510	CMT038812510	0,48	1.07

*Diameter is indicated.

** Imperial round bore drive sprockets are supplied with setscrew. Metric round bore drive sprockets are supplied without setscrew.

SUITABLE FOR CHAINS:

- 881 / 881T
- 981 / 981T
- PHDG 981T
- 982T

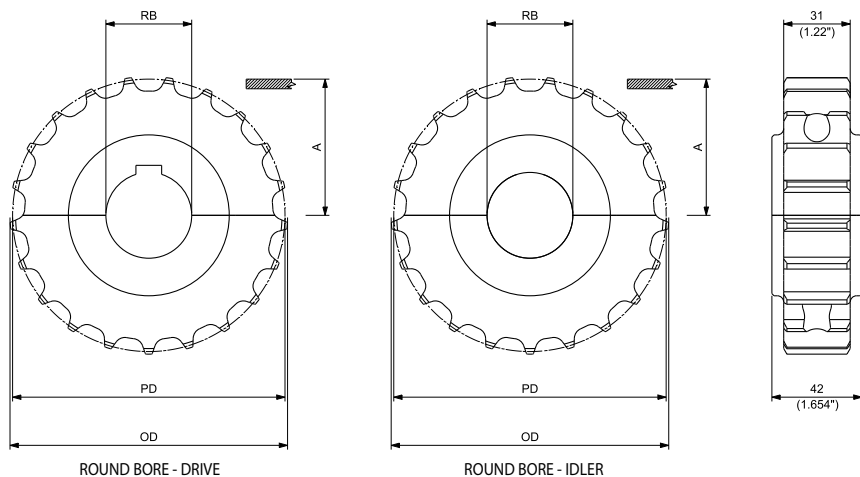
MATERIALS

SPROCKETS:	PA	POLYAMIDE
SCREWS:	SS	STAINLESS STEEL
NUTS:	B	BRASS



17T, 19T & 21T SPROCKETS

(for 23T, 25T & 27T see next page)



**MACHINED SPLIT
IDLER WHEELS
FOR 881/981 CHAINS**
SEE PAGE 125

MACHINED SPLIT DRIVE AND IDLER SPROCKETS

N. TEETH	PITCH DIAMETER PD		OUTSIDE DIAMETER OD		WEAR STRIP POSITIONING A		BORE SIZE*		PART NUMBER ROUND BORE RB		WEIGHT	
	mm	inch	mm	inch	mm	inch	mm	inch**	DRIVE	IDLER	Kg	lbs
17	105,47	4.152	104,40	4.110	56,14	2.210	1	1	CMAS028811725	CMAS038811725	0,31	0.68
									CMAS028811730	CMAS038811730	0,30	0.66
									CMAS028811735	CMAS038811735	0,29	0.63
									CMAS028811740	CMAS038811740	0,27	0.60
									CMAS0288117254	CMAS0388117254	0,31	0.68
									CMAS0288117317	CMAS0388117317	0,29	0.65
									CMAS0288117349	CMAS0388117349	0,29	0.65
									CMAS0288117365	CMAS0388117365	0,28	0.61
									CMAS0288117381	CMAS0388117381	0,28	0.61
									CMAS028811925	CMAS038811925	0,39	0.86
19	117,34	4.620	117,00	4.606	62,07	2.444	1	1	CMAS028811930	CMAS038811930	0,38	0.84
									CMAS028811935	CMAS038811935	0,37	0.81
									CMAS028811940	CMAS038811940	0,35	0.78
									CMAS0288119254	CMAS0388119254	0,39	0.86
									CMAS0288119317	CMAS0388119317	0,38	0.84
									CMAS0288119349	CMAS0388119349	0,37	0.81
									CMAS0288119365	CMAS0388119365	0,36	0.80
									CMAS0288119381	CMAS0388119381	0,32	0.71
									CMAS028812125	CMAS038812125	0,47	1.03
									21	129,26	5.089	129,40
CMAS028812135	CMAS038812135	0,45	0.98									
CMAS028812140	CMAS038812140	0,43	0.95									
CMAS0288121254	CMAS0388121254	0,47	1.03									
CMAS0288121317	CMAS0388121317	0,47	1.03									
CMAS0288121349	CMAS0388121349	0,46	1.01									
CMAS0288121365	CMAS0388121365	0,45	0.98									
CMAS0288121381	CMAS0388121381	0,44	0.96									

*Diameter is indicated.

** Imperial round bore drive sprockets are supplied with setscrew. Metric round bore drive sprockets are supplied without setscrew.

SUITABLE FOR CHAINS:

- 881 / 881T
- 981 / 981T
- PHDG 981T
- 982T

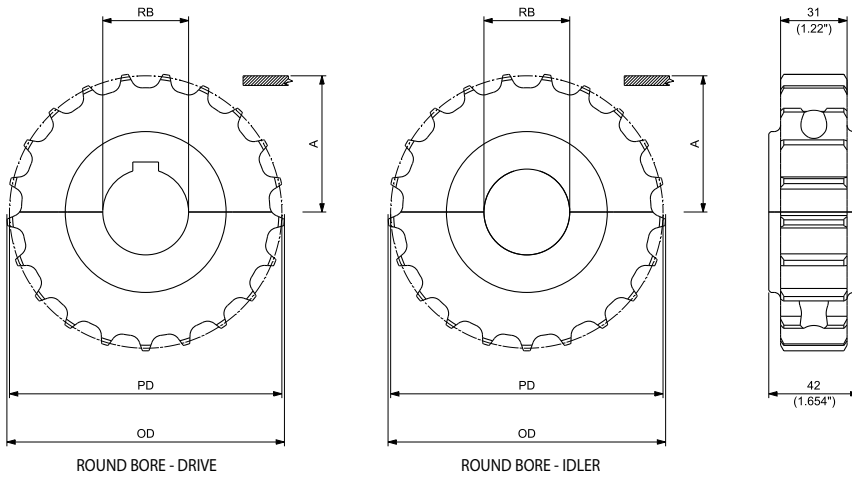
MATERIALS

SPROCKETS: **PA** POLYAMIDE
 SCREWS: **SS** STAINLESS STEEL
 NUTS: **B** BRASS



23T, 25T & 27T SPROCKETS

(for 17T, 19T & 21T see previous page)



MACHINED SPLIT IDLER WHEELS FOR 881/981 CHAINS
 SEE PAGE 125

MACHINED SPLIT DRIVE AND IDLER SPROCKETS

N. TEETH	PITCH DIAMETER PD		OUTSIDE DIAMETER OD		WEAR STRIP POSITIONING A		BORE SIZE*		PART NUMBER ROUND BORE RB		WEIGHT	
	mm	inch	mm	inch	mm	inch	mm	inch**	DRIVE	IDLER	Kg	lbs
23	141,22	5.560	141,90	5.587	74,01	2.914	25		CMAS028812325	CMAS038812325	0,56	1.23
							30		CMAS028812330	CMAS038812330	0,55	1.21
							35		CMAS028812335	CMAS038812335	0,54	1.18
							40		CMAS028812340	CMAS038812340	0,52	1.15
								1	CMAS0288123254	CMAS0388123254	0,56	1.23
								1 ¼	CMAS0288123317	CMAS0388123317	0,56	1.23
								1 ⅜	CMAS0288123349	CMAS0388123349	0,55	1.21
								1 7/16	CMAS0288123365	CMAS0388123365	0,54	1.18
								1 ½	CMAS0288123381	CMAS0388123381	0,53	1.16
							25	153,20	6.031	154,20	6.071	80,00
30		CMAS028812530	CMAS038812530	0,68	1.50							
35		CMAS028812535	CMAS038812535	0,67	1.47							
40		CMAS028812540	CMAS038812540	0,65	1.44							
	1	CMAS0288125254	CMAS0388125254	0,69	1.52							
	1 ¼	CMAS0288125317	CMAS0388125317	0,69	1.52							
	1 ⅜	CMAS0288125349	CMAS0388125349	0,68	1.50							
	1 7/16	CMAS0288125365	CMAS0388125365	0,67	1.47							
	1 ½	CMAS0288125381	CMAS0388125381	0,66	1.46							
27	165,21	6.504	166,40	6.551	86,01	3.386						
							30		CMAS028812730	CMAS038812730	0,82	1.81
							35		CMAS028812735	CMAS038812735	0,81	1.79
							40		CMAS028812740	CMAS038812740	0,80	1.75
								1	CMAS0288127254	CMAS0388127254	0,83	1.83
								1 ¼	CMAS0288127317	CMAS0388127317	0,83	1.83
								1 ⅜	CMAS0288127349	CMAS0388127349	0,82	1.81
								1 7/16	CMAS0288127365	CMAS0388127365	0,81	1.79
								1 ½	CMAS0288127381	CMAS0388127381	0,80	1.76

*Diameter is indicated.

** Imperial round bore drive sprockets are supplied with setscrew. Metric round bore drive sprockets are supplied without setscrew.

SUITABLE FOR CHAINS:

- PHD 9157
- PHDG 9157
- 881T
- 981T
- PHDG 981T
- PHD 9857M
- PHDG 9857M
- 982T

MATERIALS

SPROCKETS: **PA** POLYAMIDE

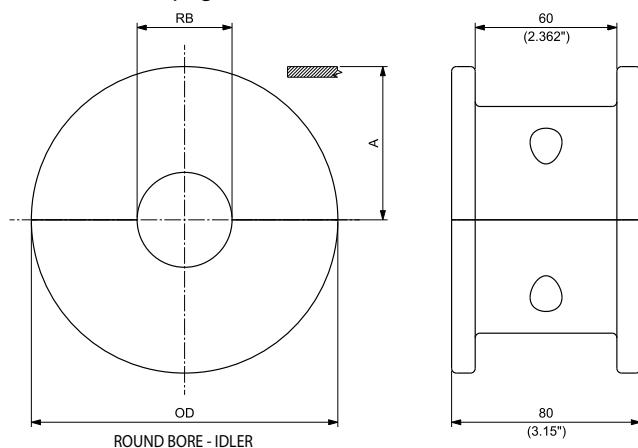
SCREWS: **SS** STAINLESS STEEL

NUTS: **B** BRASS



17T,19T & 21T IDLER WHEELS

(for 23T & 25T see next page)



MACHINED SPLIT IDLER WHEELS

N. TEETH	OUTSIDE DIAMETER OD		WEAR STRIP POSITIONING A		BORE SIZE*		PART NUMBER ROUND BORE RB IDLER	WEIGHT	
	mm	inch	mm	inch	mm	inch		Kg	lbs
17	106,50	4.193	53,25	2.096	25		CMAS04881T1725	0,44	0.97
					25		CMAS04881T1730	0,42	0.93
					35		CMAS04881T1735	0,39	0.86
					40		CMAS04881T1740	0,37	0.82
					1		CMAS04881T17254	0,44	0.97
					1 ¼		CMAS04881T17317	0,42	0.93
					1 ⅜		CMAS04881T17349	0,42	0.93
					1 ⅞		CMAS04881T17365	0,39	0.86
19	118,00	4.646	59,00	2.323	25		CMAS04881T1925	0,58	1.28
					30		CMAS04881T1930	0,56	1.23
					35		CMAS04881T1935	0,54	1.19
					40		CMAS04881T1940	0,51	1.12
					1		CMAS04881T19254	0,58	1.28
					1 ¼		CMAS04881T19317	0,58	1.28
					1 ⅜		CMAS04881T19349	0,56	1.23
					1 ⅞		CMAS04881T19365	0,54	1.19
21	129,80	5.110	64,90	2.555	25		CMAS04881T2125	0,79	1.73
					30		CMAS04881T2130	0,77	1.69
					35		CMAS04881T2135	0,74	1.64
					40		CMAS04881T2140	0,72	1.58
					1		CMAS04881T21254	0,78	1.73
					1 ¼		CMAS04881T21317	0,78	1.73
					1 ⅜		CMAS04881T21349	0,77	1.69
					1 ⅞		CMAS04881T21365	0,74	1.64
1 ½		CMAS04881T21381	0,73	1.60					

*Diameter is indicated.

SUITABLE FOR CHAINS:

- PHD 9157
- PHDG 9157
- 881T
- 981T
- PHDG 981T
- PHD 9857M
- PHDG 9857M
- 982T

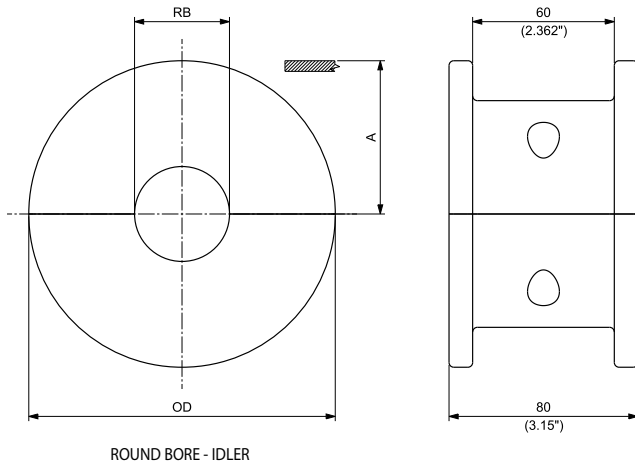
MATERIALS

SPROCKETS:	PA	POLYAMIDE
SCREWS:	SS	STAINLESS STEEL
NUTS:	B	BRASS



23T & 25T IDLER WHEELS

(for 17T, 19T & 21T see previous page)



MACHINED SPLIT IDLER WHEELS

N. TEETH	OUTSIDE DIAMETER OD		WEAR STRIP POSITIONING A		BORE SIZE*		PART NUMBER ROUND BORE RB IDLER	WEIGHT	
	mm	inch	mm	inch	mm	inch		Kg	lbs
23	142,30	5.602	71,15	2.801	25		CMAS04881T2325	0,98	2.17
					30		CMAS04881T2330	0,96	2.13
					35		CMAS04881T2335	0,94	2.07
					40		CMAS04881T2340	0,91	2.01
					1		CMAS04881T23254	0,98	2.17
					1 ¼		CMAS04881T23317	0,98	2.17
					1 ⅜		CMAS04881T23349	0,96	2.13
					1 ⅞		CMAS04881T23365	0,94	2.07
25	154,70	6.091	77,35	3.045	25		CMAS04881T2525	1,19	2.63
					30		CMAS04881T2530	1,17	2.58
					35		CMAS04881T2535	1,15	2.53
					40		CMAS04881T2540	1,12	2.47
					1		CMAS04881T25254	1,19	2.62
					1 ¼		CMAS04881T25317	1,19	2.62
					1 ⅜		CMAS04881T25349	1,17	2.58
					1 ⅞		CMAS04881T25365	1,15	2.53
				1 ½		CMAS04881T25381	1,13	2.50	

*Diameter is indicated.

SUITABLE FOR CHAINS:

- 820
- HFX 820
- 831

MATERIALS

SPROCKETS: **PGF** REINFORCED POLYAMIDE

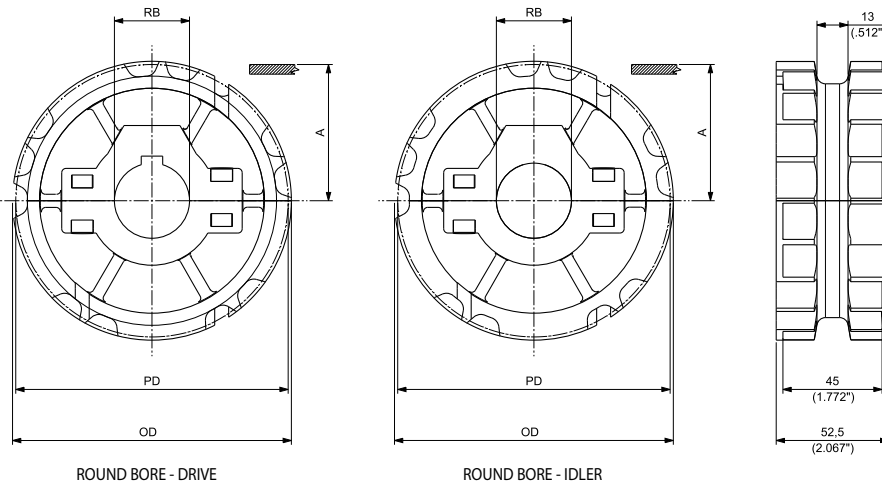
SCREWS: **SS** STAINLESS STEEL

NUTS: **B+NC** NICKEL PLATED BRASS



19T & 21T SPROCKETS

(for 23T & 25T see next page)



MOULDED SPLIT IDLER WHEELS
SEE PAGE 124



MOULDED SOLID IDLER WHEELS
SEE PAGE 123

MOULDED SPLIT DRIVE AND IDLER SPROCKETS

N. TEETH	PITCH DIAMETER PD		OUTSIDE DIAMETER OD		WEAR STRIP POSITIONING A		BORE SIZE*		PART NUMBER ROUND BORE RB		WEIGHT	
	mm	inch	mm	inch	mm	inch	mm	inch**	DRIVE	IDLER	Kg	lbs
19	117,34	4.620	117,00	4.606	61,67	2.428	25		CMT028201901	CMT038201901	0,36	0.79
							30		CMT028201902	CMT038201902	0,35	0.77
							35		CMT028201903	CMT038201903	0,34	0.75
							40		CMT028201904	CMT038201904	0,33	0.73
							45		CMT028201905	CMT038201905	0,22	0.49
							1		CMT028201906	CMT038201906	0,36	0.79
							1 ¼		CMT028201908	CMT038201908	0,35	0.77
							1 ⅜		CMT028201911	CMT038201911	0,35	0.77
							1 ⅞		CMT028201909	CMT038201909	0,34	0.75
							1 ½		CMT028201910	CMT038201910	0,33	0.73
21	129,30	5.091	130,00	5.118	68,05	2.679	25		CMT028202101	CMT038202101	0,48	1.05
							30		CMT028202102	CMT038202102	0,47	1.03
							35		CMT028202103	CMT038202103	0,46	1.01
							40		CMT028202104	CMT038202104	0,45	0.98
							45		CMT028202105	CMT038202105	0,43	0.95
							1		CMT028202106	CMT038202106	0,48	1.05
							1 ¼		CMT028202108	CMT038202108	0,46	1.02
							1 ⅜		CMT028202111	CMT038202111	0,46	1.02
							1 ⅞		CMT028202109	CMT038202109	0,45	1.00
							1 ½		CMT028202110	CMT038202110	0,45	0.99

*Diameter is indicated.

** Imperial round bore drive sprockets are supplied with setscrew. Metric round bore drive sprockets are supplied without setscrew.

SUITABLE FOR CHAINS:

- 820
- HFX 820
- 831

MATERIALS

SPROCKETS: **PGF** REINFORCED POLYAMIDE

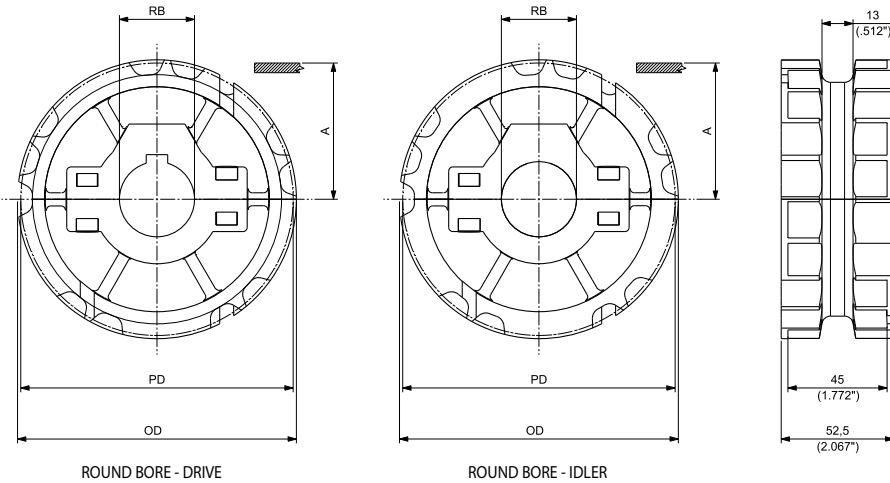
SCREWS: **SS** STAINLESS STEEL

NUTS: **B+NC** NICKEL PLATED BRASS



23T & 25T SPROCKETS

(for 19T & 21T see previous page)



MOULDED SPLIT IDLER WHEELS
SEE PAGE 124



MOULDED SOLID IDLER WHEELS
SEE PAGE 123

MOULDED SPLIT DRIVE AND IDLER SPROCKETS

N. TEETH	PITCH DIAMETER PD		OUTSIDE DIAMETER OD		WEAR STRIP POSITIONING A		BORE SIZE*		PART NUMBER ROUND BORE RB		WEIGHT	
	mm	inch	mm	inch	mm	inch	mm	inch**	DRIVE	IDLER	Kg	lbs
23	141,20	5.559	141,90	5.587	74,00	2.913	25		CMT028202301	CMT038202301	0,52	1.15
							30		CMT028202302	CMT038202302	0,51	1.13
							35		CMT028202303	CMT038202303	0,50	1.11
							40		CMT028202304	CMT038202304	0,49	1.08
							45		CMT028202305	CMT038202305	0,48	1.05
							1		CMT028202306	CMT038202306	0,52	1.15
							1 ¼		CMT028202308	CMT038202308	0,51	1.13
							1 ⅜		CMT028202311	CMT038202311	0,51	1.13
							1 ⅞		CMT028202309	CMT038202309	0,50	1.10
							1 ½		CMT028202310	CMT038202310	0,50	1.09
25	153,20	6.031	154,20	6.071	80,00	3.150	25		CMT028202501	CMT038202501	0,57	1.26
							30		CMT028202502	CMT038202502	0,56	1.24
							35		CMT028202503	CMT038202503	0,55	1.22
							40		CMT028202504	CMT038202504	0,54	1.19
							45		CMT028202505	CMT038202505	0,53	1.16
							1		CMT028202506	CMT038202506	0,57	1.26
							1 ¼		CMT028202508	CMT038202508	0,56	1.23
							1 ⅜		CMT028202511	CMT038202511	0,56	1.23
							1 ⅞		CMT028202509	CMT038202509	0,55	1.21
							1 ½		CMT028202510	CMT038202510	0,55	1.20

*Diameter is indicated.

** Imperial round bore drive sprockets are supplied with setscrew. Metric round bore drive sprockets are supplied without setscrew.

SUITABLE FOR CHAINS:

- 820
- HFX 820
- 831

MATERIALS

SPROCKETS: **PA** POLYAMIDE

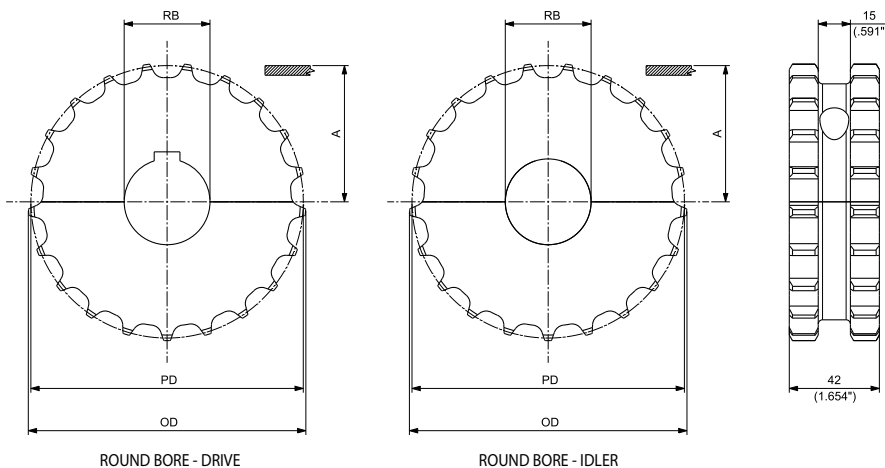
SCREWS: **SS** STAINLESS STEEL

NUTS: **B** BRASS



17T, 19T & 21T SPROCKETS

(for 23T, 25T & 27T see next page)



MACHINED SPLIT IDLER WHEELS
SEE PAGE 125

MACHINED SPLIT DRIVE AND IDLER SPROCKETS

N. TEETH	PITCH DIAMETER PD		OUTSIDE DIAMETER OD		WEAR STRIP POSITIONING A		BORE SIZE*	PART NUMBER ROUND BORE RB		WEIGHT	
	mm	inch	mm	inch	mm	inch		DRIVE	IDLER	Kg	lbs
17	105,47	4.152	104,40	4.110	55,94	2.202	25	CMAS028201725	CMAS038201725	0,34	0.75
							30	CMAS028201730	CMAS038201730	0,34	0.73
							35	CMAS028201735	CMAS038201735	0,32	0.70
							40	CMAS028201740	CMAS038201740	0,30	0.67
							1	CMAS0282017254	CMAS0382017254	0,34	0.75
							1 ¼	CMAS0282017317	CMAS0382017317	0,33	0.72
							1 ⅜	CMAS0282017349	CMAS0382017349	0,33	0.72
							1 ⅞	CMAS0282017365	CMAS0382017365	0,32	0.70
							1 ½	CMAS0282017381	CMAS0382017381	0,31	0.68
							19	117,34	4.620	117,00	4.606
30	CMAS028201930	CMAS038201930	0,42	0.92							
35	CMAS028201935	CMAS038201935	0,40	0.89							
40	CMAS028201940	CMAS038201940	0,39	0.86							
1	CMAS0282019254	CMAS0382019254	0,43	0.94							
1 ¼	CMAS0282019317	CMAS0382019317	0,43	0.94							
1 ⅜	CMAS0282019349	CMAS0382019349	0,42	0.92							
1 ⅞	CMAS0282019365	CMAS0382019365	0,40	0.88							
1 ½	CMAS0282019381	CMAS0382019381	0,36	0.79							
21	129,26	5.089	129,40	5.094	68,83	2.710					
							30	CMAS028202130	CMAS038202130	0,52	1.14
							35	CMAS028202135	CMAS038202135	0,51	1.11
							40	CMAS028202140	CMAS038202140	0,49	1.08
							1	CMAS0282021254	CMAS0382021254	0,53	1.16
							1 ¼	CMAS0282021317	CMAS0382021317	0,53	1.16
							1 ⅜	CMAS0282021349	CMAS0382021349	0,52	1.14
							1 ⅞	CMAS0282021365	CMAS0382021365	0,51	1.11
							1 ½	CMAS0282021381	CMAS0382021381	0,50	1.10

*Diameter is indicated.

** Imperial round bore drive sprockets are supplied with setscrew. Metric round bore drive sprockets are supplied without setscrew.

SUITABLE FOR CHAINS:

- 820
- HFX 820
- 831

MATERIALS

SPROCKETS: **PA** POLYAMIDE

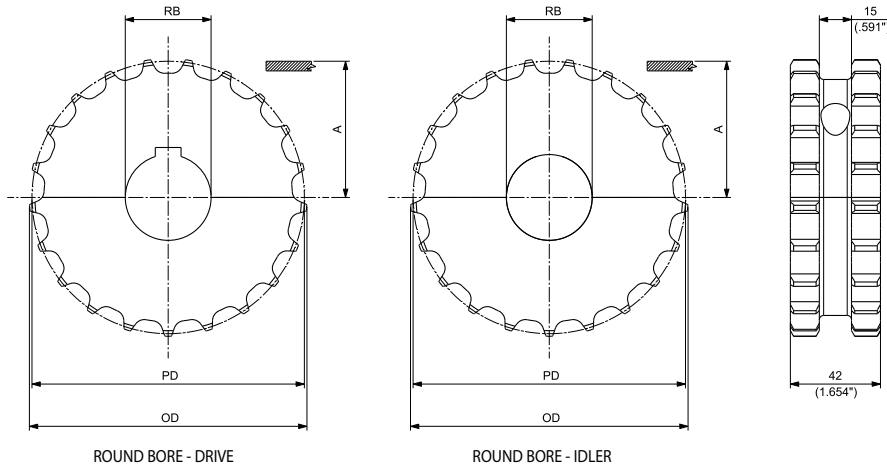
SCREWS: **SS** STAINLESS STEEL

NUTS: **B** BRASS



23T, 25T & 27T SPROCKETS

(for 17T, 19T & 21T see previous page)



MACHINED SPLIT IDLER WHEELS
SEE PAGE 125

MACHINED SPLIT DRIVE AND IDLER SPROCKETS

N. TEETH	PITCH DIAMETER PD		OUTSIDE DIAMETER OD		WEAR STRIP POSITIONING A		BORE SIZE*		PART NUMBER ROUND BORE RB		WEIGHT	
	mm	inch	mm	inch	mm	inch	mm	inch**	DRIVE	IDLER	Kg	lbs
23	141,22	5.560	141,90	5.587	73,81	2.906	25		CMAS028202325	CMAS038202325	0,63	1.39
							30		CMAS028202330	CMAS038202330	0,62	1.37
							35		CMAS028202335	CMAS038202335	0,61	1.34
							40		CMAS028202340	CMAS038202340	0,59	1.31
								1	CMAS0282023254	CMAS0382023254	0,63	1.39
								1 ¼	CMAS0282023317	CMAS0382023317	0,63	1.39
25	153,20	6.031	154,20	6.071	79,80	3.142	25		CMAS028202525	CMAS038202525	0,78	1.72
							30		CMAS028202530	CMAS038202530	0,77	1.69
							35		CMAS028202535	CMAS038202535	0,76	1.67
							40		CMAS028202540	CMAS038202540	0,74	1.63
								1	CMAS0282025254	CMAS0382025254	0,78	1.71
								1 ¼	CMAS0282025317	CMAS0382025317	0,78	1.71
27	165,21	6.504	166,40	6.551	85,81	3.378	25		CMAS028202725	CMAS038202725	0,92	2.02
							30		CMAS028202730	CMAS038202730	0,91	2.03
							35		CMAS028202735	CMAS038202735	0,90	1.97
							40		CMAS028202740	CMAS038202740	0,88	1.94
								1	CMAS0282027254	CMAS0382027254	0,92	2.03
								1 ¼	CMAS0282027317	CMAS0382027317	0,92	2.03

*Diameter is indicated.

** Imperial round bore drive sprockets are supplied with setscrew. Metric round bore drive sprockets are supplied without setscrew.

SUITABLE FOR CHAINS:

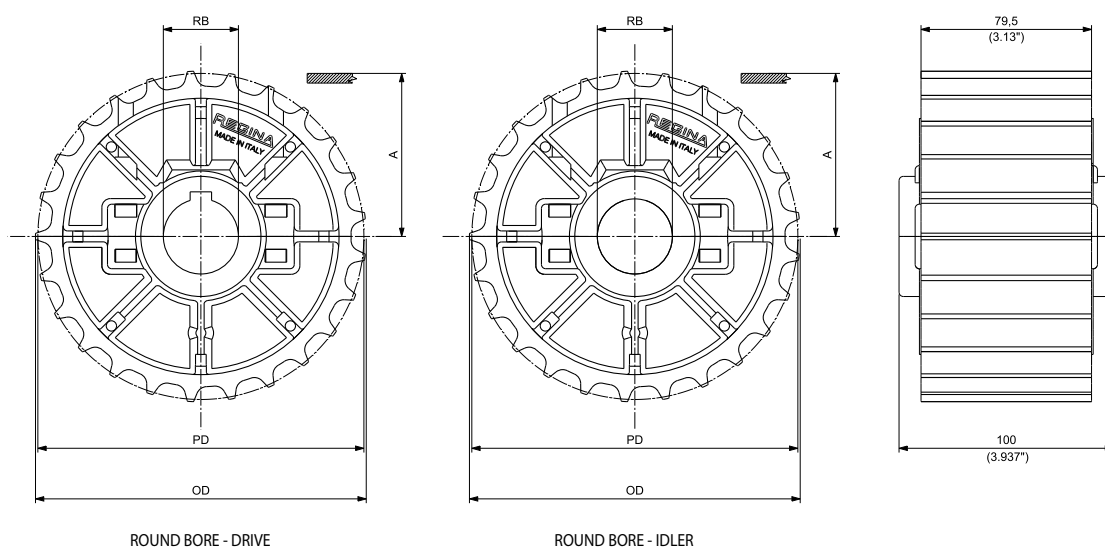
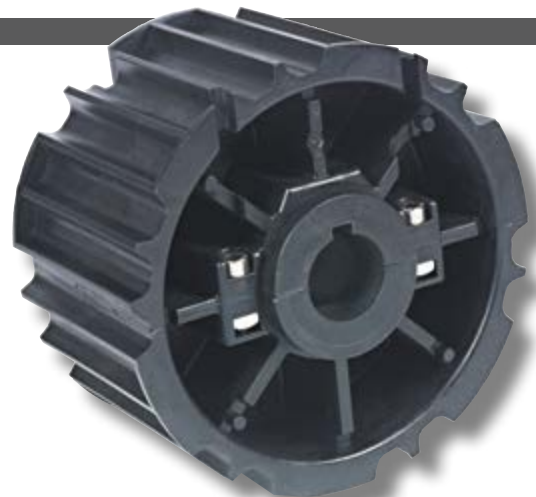
- 821
- HFX 821
- LBP 821

MATERIALS

SPROCKETS: **PGF** REINFORCED POLYAMIDE

SCREWS: **SS** STAINLESS STEEL

NUTS: **B+NC** NICKEL PLATED BRASS



MOULDED SPLIT DRIVE AND IDLER SPROCKETS

N. TEETH	PITCH DIAMETER PD		OUTSIDE DIAMETER OD		WEAR STRIP POSITIONING A		BORE SIZE*		PART NUMBER ROUND BORE RB		WEIGHT	
	mm	inch	mm	inch	mm	inch	mm	inch**	DRIVE	IDLER	Kg	lbs
25	153,20	6.031	154,20	6.071	79,8	3.142	30		CMT028212502	CMT038212502	0,98	2.17
							35		CMT028212503	CMT038212503	0,97	2.13
							40		CMT028212504	CMT038212504	0,94	2.08
							45		CMT028212505	CMT038212505	0,91	2.02
							1 ¼		CMT028212508	CMT038212508	0,98	2.16
							1 ⅜		CMT028212511	CMT038212511	0,97	2.13
							1 ⅞		CMT028212509	CMT038212509	0,96	2.11
1 ½		CMT028212510	CMT038212510	0,95	2.10							

*Diameter is indicated.

**Imperial round bore drive sprockets are supplied with setscrew. Metric round bore drive sprockets are supplied without setscrew.

SUITABLE FOR CHAINS:

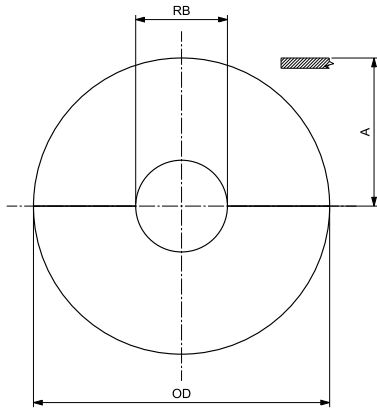
- 821
- HFX 821
- LBP 821

MATERIALS

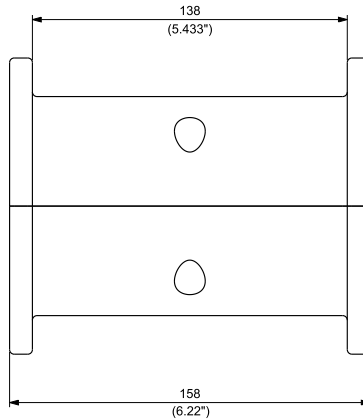
SPROCKETS: **PA** POLYAMIDE

SCREWS: **SS** STAINLESS STEEL

NUTS: **B** BRASS



ROUND BORE - IDLER



MACHINED SPLIT SPROCKETS

SEE PAGE 128

MACHINED SPLIT IDLER WHEELS

N. TEETH	OUTSIDE DIAMETER OD		WEAR STRIP POSITIONING A		BORE SIZE*		PART NUMBER ROUND BORE IDLER	WEIGHT	
	mm	inch	mm	inch	mm	inch		Kg	lbs
19	118,00	4.646	59,00	2.323	25		CMAS048211925	1,07	2,36
					30		CMAS048211930	1,03	2,27
					35		CMAS048211935	0,98	2,17
					40		CMAS048211940	0,93	2,05
					1		CMAS0482119254	1,07	2,35
					1 ¼		CMAS0482119317	1,03	2,27
					1 ⅜		CMAS0482119349	0,98	2,17
					1 ⅞		CMAS0482119365	0,97	2,13
21	129,80	5.110	64,90	2.555	25		CMAS048212125	1,39	3.05
					30		CMAS048212130	1,35	2.97
					35		CMAS048212135	1,30	2.87
					40		CMAS048212140	1,25	2.75
					1		CMAS0482121254	1,38	3.05
					1 ¼		CMAS0482121317	1,38	3.05
					1 ⅜		CMAS0482121349	1,35	2.97
					1 ⅞		CMAS0482121365	1,30	2.87
23	142,30	5.602	71,15	2.801	25		CMAS048212325	1,75	3.87
					30		CMAS048212330	1,72	3.78
					35		CMAS048212335	1,67	3.68
					40		CMAS048212340	1,62	3.56
					1		CMAS0482123254	1,75	3.86
					1 ¼		CMAS0482123317	1,75	3.86
					1 ⅜		CMAS0482123349	1,72	3.78
					1 ⅞		CMAS0482123365	1,67	3.68
25	154,70	6.091	77,35	3.045	25		CMAS048212525	2,16	4.75
					30		CMAS048212530	2,12	4.67
					35		CMAS048212535	2,07	4.56
					40		CMAS048212540	2,02	4.45
					1		CMAS0482125254	2,15	4.75
					1 ¼		CMAS0482125317	2,15	4.75
					1 ⅜		CMAS0482125349	2,12	4.67
					1 ⅞		CMAS0482125365	2,07	4.56
			1 ½		CMAS0482125381	2,04	4.49		

*Diameter is indicated.

SUITABLE FOR CHAINS:

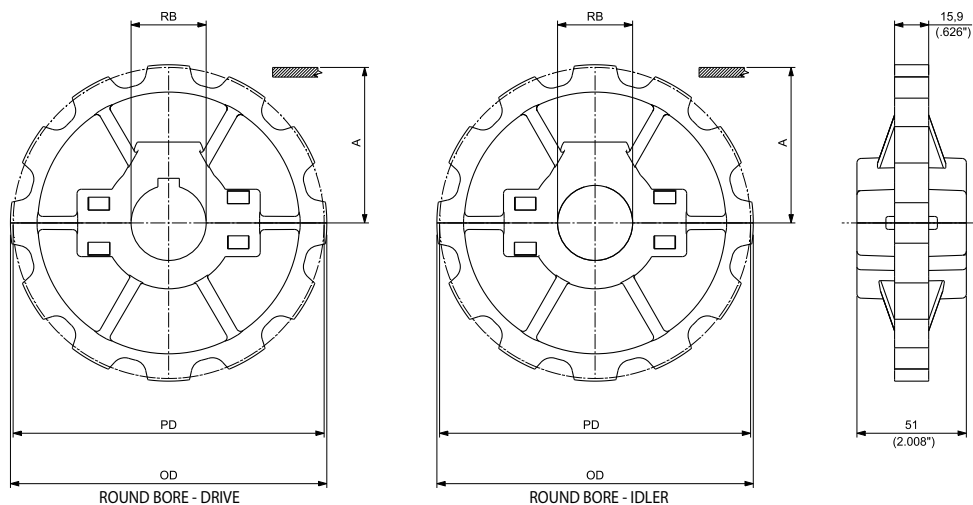
- 828
- 880 / 880T / 880TA / 880M RG
- HFX 880T
- 879 / 879T
- 878T
- EW 878T / GW 878T
- GD 878T / GU 878T

MATERIALS

SPROCKETS: **PGF** REINFORCED POLYAMIDE

SCREWS: **SS** STAINLESS STEEL

NUTS: **B+NC** NICKEL PLATED BRASS



MOULDED SPLIT IDLER WHEELS
FOR 880 / 880M RG / 879 CHAINS
SEE PAGE 124



MOULDED SOLID IDLER WHEELS
FOR 880 / 880M RG / 879 CHAINS
SEE PAGE 123

MOULDED SPLIT DRIVE AND IDLER SPROCKETS

N. TEETH	PITCH DIAMETER PD		OUTSIDE DIAMETER OD		WEAR STRIP POSITIONING A		BORE SIZE*		PART NUMBER ROUND BORE RB		WEIGHT	
	mm	inch	mm	inch	mm	inch	mm	inch**	DRIVE	IDLER	Kg	lbs
10	123,29	4.854	124,50	4.902	65,25	2.569	25		CMT028801001	CMT038801001	0,31	0.68
							30		CMT028801002	CMT038801002	0,30	0.66
							35		CMT028801003	CMT038801003	0,29	0.64
							40		CMT028801004	CMT038801004	0,28	0.62
							1		CMT028801006	CMT038801006	0,31	0.67
							1 ¼		CMT028801008	CMT038801008	0,30	0.65
							1 ⅜		CMT028801011	CMT038801011	0,30	0.65
12	147,21	5.796	147,30	5.799	77,21	3.040	1 ⅞		CMT028801009	CMT038801009	0,29	0.64
							1 ½		CMT028801010	CMT038801010	0,29	0.64
							25		CMT028801201	CMT038801201	0,42	0.93
							30		CMT028801202	CMT038801202	0,41	0.91
							35		CMT028801203	CMT038801203	0,40	0.88
							40		CMT028801204	CMT038801204	0,39	0.86
							45		CMT028801205	CMT038801205	0,37	0.82
							1		CMT028801206	CMT038801206	0,41	0.91
							1 ¼		CMT028801208	CMT038801208	0,41	0.90
							1 ⅜		CMT028801211	CMT038801211	0,40	0.88
1 ⅞		CMT028801209	CMT038801209	0,40	0.88							
1 ½		CMT028801210	CMT038801210	0,39	0.87							

*Diameter is indicated.

** Imperial round bore drive sprockets are supplied with setscrew. Metric round bore drive sprockets are supplied without setscrew.

SUITABLE FOR CHAINS:

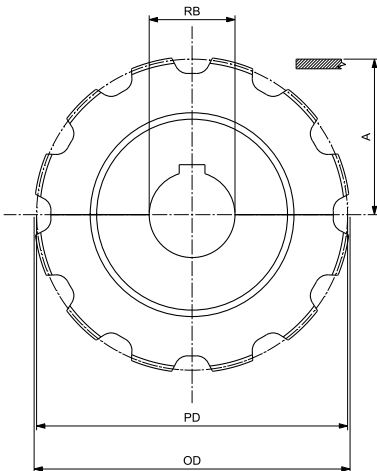
- 828
- 880 / 880T / 880TA / 880M RG
- HFX 880T
- 879 / 879T
- 878T
- EW 878T / GW 878T
- GD 878T / GU 878T

MATERIALS

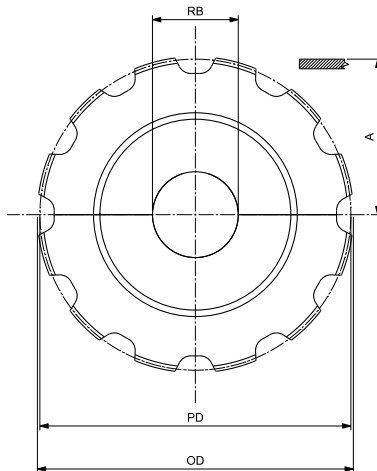
SPROCKETS: **PA** POLYAMIDE

SCREWS: **SS** STAINLESS STEEL

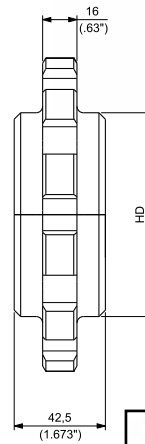
NUTS: **B** BRASS



ROUND BORE - DRIVE



ROUND BORE - IDLER



MACHINED SPLIT IDLER WHEELS FOR 880 / 880M RG / 879 CHAINS
SEE PAGE 125

MACHINED SPLIT DRIVE AND IDLER SPROCKETS

N. TEETH	PITCH DIAMETER PD		OUTSIDE DIAMETER OD		WEAR STRIP POSITIONING A		HD		BORE SIZE*		PART NUMBER ROUND BORE RB		WEIGHT	
	mm	inch	mm	inch	mm	inch	mm	inch	mm	inch**	DRIVE	IDLER	Kg	lbs
9	111,40	4.386	109,80	4.323	59,30	2.335	75	2.95	25		CMAS028800925	CMAS038800925	0,30	0.66
									30		CMAS028800930	CMAS038800930	0,29	0.64
									35		CMAS028800935	CMAS038800935	0,28	0.61
									40		CMAS028800940	CMAS038800940	0,26	0.58
									1		CMAS0288009254	CMAS0388009254	0,30	0.66
									1 ¼		CMAS0288009317	CMAS0388009317	0,29	0.64
									1 ½		CMAS0288009381	CMAS0388009381	0,28	0.61
10	123,29	4.854	124,50	4.902	65,55	2.581	85	3.35	25		CMAS028801025	CMAS038801025	0,38	0.83
									30		CMAS028801030	CMAS038801030	0,37	0.81
									35		CMAS028801035	CMAS038801035	0,35	0.78
									40		CMAS028801040	CMAS038801040	0,34	0.75
									1		CMAS0288010254	CMAS0388010254	0,38	0.83
									1 ¼		CMAS0288010317	CMAS0388010317	0,37	0.81
									1 ½		CMAS0288010381	CMAS0388010381	0,35	0.76
11	135,24	5.324	134,90	5.311	71,22	2.804	90	3.54	25		CMAS028801125	CMAS038801125	0,43	0.95
									30		CMAS028801130	CMAS038801130	0,42	0.93
									35		CMAS028801135	CMAS038801135	0,41	0.90
									40		CMAS028801140	CMAS038801140	0,40	0.87
									1		CMAS0288011254	CMAS0388011254	0,43	0.95
									1 ¼		CMAS0288011317	CMAS0388011317	0,41	0.90
									1 ½		CMAS0288011381	CMAS0388011381	0,40	0.88
12	147,21	5.796	147,30	5.799	77,21	3.040	95	3.74	25		CMAS028801225	CMAS038801225	0,53	1.17
									30		CMAS028801230	CMAS038801230	0,52	1.14
									35		CMAS028801235	CMAS038801235	0,51	1.12
									40		CMAS028801240	CMAS038801240	0,49	1.09
									1		CMAS0288012254	CMAS0388012254	0,53	1.17
									1 ¼		CMAS0288012317	CMAS0388012317	0,51	1.12
									1 ½		CMAS0288012381	CMAS0388012381	0,50	1.10

*Diameter is indicated.

** Imperial round bore drive sprockets are supplied with setscrew. Metric round bore drive sprockets are supplied without setscrew.

SUITABLE FOR CHAINS:

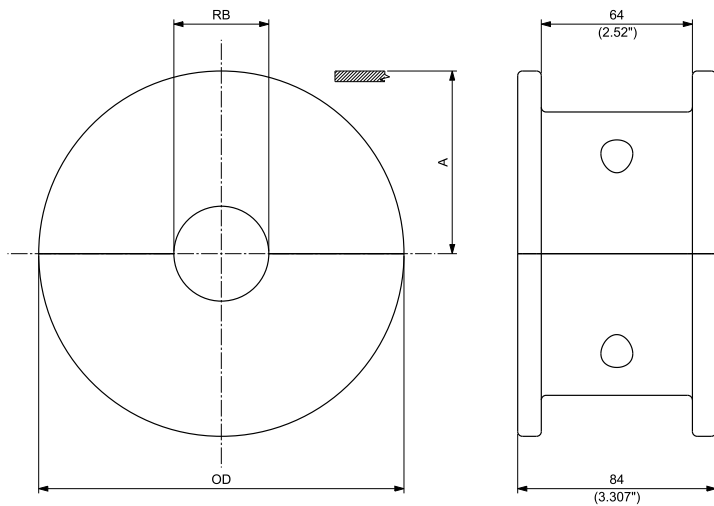
- 880T / HFX 880T / 880TA
- 879T
- 878T
- EW 878T / GW 878T / GU 878T / GD 878T

MATERIALS

SPROCKETS: **PA** POLYAMIDE

SCREWS: **SS** STAINLESS STEEL

NUTS: **B** BRASS



ROUND BORE - IDLER

MACHINED SPLIT IDLER WHEELS

N. TEETH	OUTSIDE DIAMETER OD		WEAR STRIP POSITIONING A		BORE SIZE*		PART NUMBER ROUND BORE RB IDLER	WEIGHT	
	mm	inch	mm	inch	mm	inch		Kg	lbs
9	118,00	4.646	59,00	2.323	25		CMAS04880T0925	0,64	1.41
					30		CMAS04880T0930	0,62	1.36
					35		CMAS04880T0935	0,59	1.31
					40		CMAS04880T0940	0,57	1.25
					1		CMAS04880T09254	0,64	1.41
					1 ¼		CMAS04880T09317	0,62	1.36
					1 ½		CMAS04880T09381	0,59	1.31
10	129,80	5.110	64,90	2.555	25		CMAS04880T1025	0,82	1.80
					30		CMAS04880T1030	0,80	1.75
					35		CMAS04880T1035	0,77	1.70
					40		CMAS04880T1040	0,74	1.64
					1		CMAS04880T10254	0,82	1.80
					1 ¼		CMAS04880T10317	0,77	1.70
					1 ½		CMAS04880T10381	0,75	1.66
11	142,30	5.602	71,15	2.801	25		CMAS04880T1125	1,02	2.25
					30		CMAS04880T1130	1,00	2.20
					35		CMAS04880T1135	0,98	2.15
					40		CMAS04880T1140	0,95	2.09
					1		CMAS04880T11254	1,02	2.25
					1 ¼		CMAS04880T11317	0,98	2.15
					1 ½		CMAS04880T11381	0,96	2.11
12	154,70	6.091	77,35	3.045	25		CMAS04880T1225	1,24	2.74
					30		CMAS04880T1230	1,22	2.69
					35		CMAS04880T1235	1,20	2.64
					40		CMAS04880T1240	1,17	2.57
					1		CMAS04880T12254	1,24	2.73
					1 ¼		CMAS04880T12317	1,20	2.64
					1 ½		CMAS04880T12381	1,18	2.60

*Diameter is indicated.

SUITABLE FOR CHAINS:

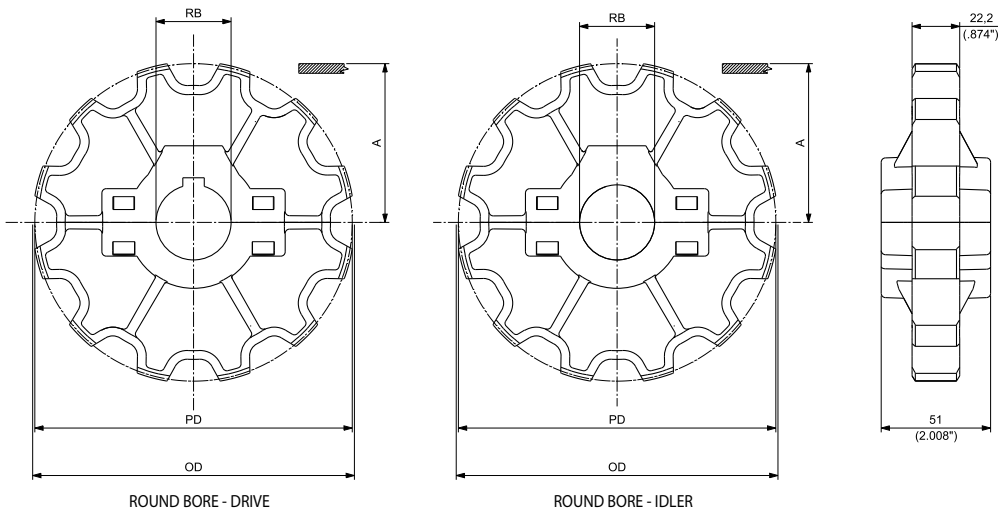
- 8257
- HFX 8257
- LBP 8257
- 882 / 882T / 882M
- HFX 882T / HFX 882M
- LBP 882T / LBP 882M

MATERIALS

SPROCKETS: **PGF** REINFORCED POLYAMIDE

SCREWS: **SS** STAINLESS STEEL

NUTS: **B+NC** NICKEL PLATED BRASS



MOULDED SPLIT DRIVE AND IDLER SPROCKETS

N. TEETH	PITCH DIAMETER PD		OUTSIDE DIAMETER OD		WEAR STRIP POSITIONING A		BORE SIZE*		PART NUMBER ROUND BORE RB		WEIGHT	
	mm	inch	mm	inch	mm	inch	mm	inch**	DRIVE	IDLER	Kg	lbs
10	123,29	4.854	124,50	4.902	66,35	2.612	1		CMT028821001	CMT038821001	0,30	0.65
									CMT028821002	CMT038821002	0,29	0.64
									CMT028821003	CMT038821003	0,28	0.62
									CMT028821004	CMT038821004	0,27	0.60
									CMT028821006	CMT038821006	0,30	0.65
									CMT028821008	CMT038821008	0,30	0.65
									CMT028821011	CMT038821011	0,29	0.64
									CMT028821009	CMT038821009	0,28	0.62
									CMT028821010	CMT038821010	0,27	0.60
									CMT028821010	CMT038821010	0,27	0.60
12	147,21	5.796	150,00	5.906	78,31	3.083	1		CMT028821201	CMT038821201	0,40	0.88
									CMT028821202	CMT038821202	0,39	0.86
									CMT028821203	CMT038821203	0,38	0.83
									CMT028821204	CMT038821204	0,37	0.81
									CMT028821205	CMT038821205	0,35	0.78
									CMT028821206	CMT038821206	0,39	0.86
									CMT028821208	CMT038821208	0,39	0.85
									CMT028821211	CMT038821211	0,38	0.83
									CMT028821209	CMT038821209	0,37	0.81
									CMT028821210	CMT038821210	0,35	0.78

*Diameter is indicated.

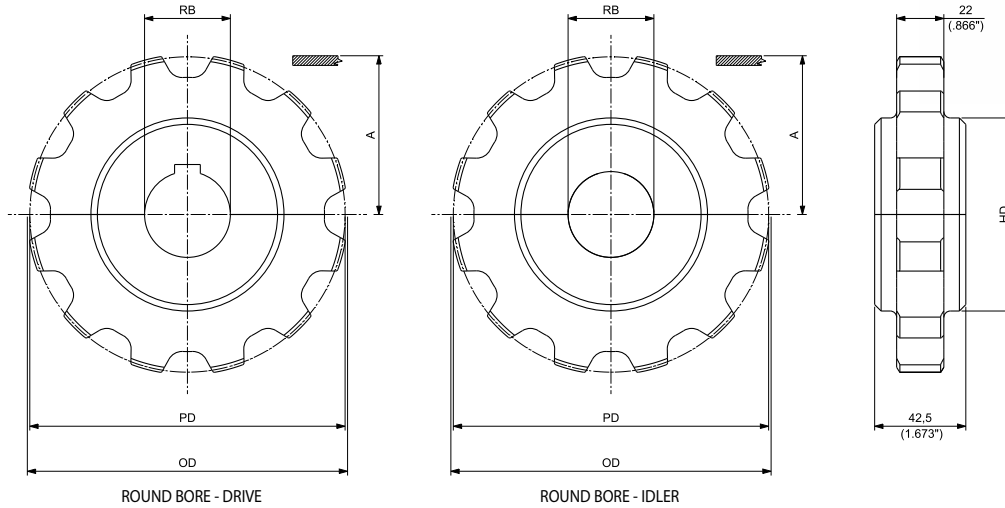
** Imperial round bore drive sprockets are supplied with setscrew. Metric round bore drive sprockets are supplied without setscrew.

SUITABLE FOR CHAINS:

- 8257
- HFX 8257
- LBP 8257
- 882 / 882T / 882M
- HFX 882T / HFX 882M
- LBP 882T / LBP 882M

MATERIALS

SPROCKETS:	PA	POLYAMIDE
SCREWS:	SS	STAINLESS STEEL
NUTS:	B	BRASS



MACHINED SPLIT DRIVE AND IDLER SPROCKETS

N. TEETH	PITCH DIAMETER PD		OUTSIDE DIAMETER OD		WEAR STRIP POSITIONING A		HD		BORE SIZE*		PART NUMBER ROUND BORE RB		WEIGHT	
	mm	inch	mm	inch	mm	inch	mm	inch	mm	inch**	DRIVE	IDLER	Kg	lbs
9	111,40	4.386	109,80	4.323	60,40	2.378	60	2.36	25		CMAS028820925	CMAS038820925	0,28	0.62
									30		CMAS028820930	CMAS038820930	0,27	0.60
									35		CMAS028820935	CMAS038820935	0,26	0.57
									40		CMAS028820940	CMAS038820940	0,25	0.54
									1		CMAS0288209254	CMAS0388209254	0,28	0.62
									1 ¼		CMAS0288209317	CMAS0388209317	0,27	0.59
									1 ½		CMAS0288209381	CMAS0388209381	0,25	0.55
10	123,29	4.878	122,40	4.819	66,65	2.624	75	2.95	25		CMAS028821025	CMAS038821025	0,37	0.82
									30		CMAS028821030	CMAS038821030	0,36	0.80
									35		CMAS028821035	CMAS038821035	0,35	0.77
									40		CMAS028821040	CMAS038821040	0,34	0.74
									1		CMAS0288210254	CMAS0388210254	0,37	0.82
									1 ¼		CMAS0288210317	CMAS0388210317	0,35	0.76
									1 ½		CMAS0288210381	CMAS0388210381	0,30	0.67
11	135,24	5.324	134,90	5.311	72,32	2.874	85	3.35	25		CMAS028821125	CMAS038821125	0,45	1.00
									30		CMAS028821130	CMAS038821130	0,44	0.98
									35		CMAS028821135	CMAS038821135	0,43	0.95
									40		CMAS028821140	CMAS038821140	0,42	0.92
									1		CMAS0288211254	CMAS0388211254	0,45	1.00
									1 ¼		CMAS0288211317	CMAS0388211317	0,43	0.95
									1 ½		CMAS0288211381	CMAS0388211381	0,42	0.93
12	147,21	5.796	147,30	5.799	78,31	3.083	90	3.54	25		CMAS028821225	CMAS038821225	0,56	1.24
									30		CMAS028821230	CMAS038821230	0,55	1.21
									35		CMAS028821235	CMAS038821235	0,54	1.18
									40		CMAS028821240	CMAS038821240	0,52	1.15
									1		CMAS0288212254	CMAS0388212254	0,56	1.23
									1 ¼		CMAS0288212317	CMAS0388212317	0,54	1.18
									1 ½		CMAS0288212381	CMAS0388212381	0,53	1.17

*Diameter is indicated.

** Imperial round bore drive sprockets are supplied with setscrew. Metric round bore drive sprockets are supplied without setscrew.

SUITABLE FOR CHAINS:

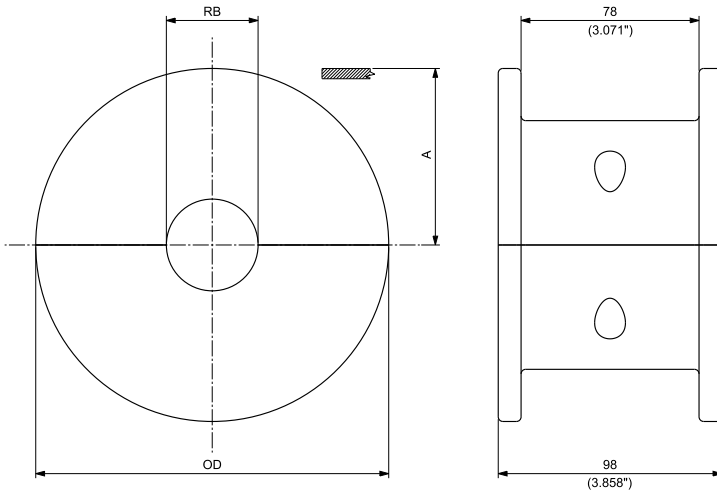
- 882T
- HFX 882T
- LBP 882T

MATERIALS

SPROCKETS: **PA** POLYAMIDE

SCREWS: **SS** STAINLESS STEEL

NUTS: **B** BRASS



ROUND BORE - IDLER

MACHINED SPLIT IDLER WHEELS

N. TEETH	OUTSIDE DIAMETER OD		WEAR STRIP POSITIONING A		BORE SIZE*		PART NUMBER ROUND BORE RB IDLER	WEIGHT	
	mm	inch	mm	inch	mm	inch		Kg	lbs
9	118,00	4.646	59,00	2.323	25		CMAS04882T0925	0,59	1.30
					30		CMAS04882T0930	0,57	1.25
					35		CMAS04882T0935	0,54	1.18
					40		CMAS04882T0940	0,50	1.11
					1		CMAS04882T09254	0,59	1.30
					1 ¼		CMAS04882T09317	0,56	1.23
					1 ½		CMAS04882T09381	0,52	1.14
10	129,80	5.110	64,90	2.555	25		CMAS04882T1025	0,79	1.74
					30		CMAS04882T1030	0,76	1.67
					35		CMAS04882T1045	0,73	1.60
					40		CMAS04882T1040	0,69	1.53
					1		CMAS04882T10254	0,78	1.72
					1 ¼		CMAS04882T10317	0,72	1.58
					1 ½		CMAS04882T10381	0,62	1.37
11	142,30	5.602	71,15	2.801	25		CMAS04882T1125	0,98	2.17
					30		CMAS04882T1130	0,96	2.12
					35		CMAS04882T1135	0,93	2.05
					40		CMAS04882T1140	0,90	1.98
					1		CMAS04882T11254	0,98	2.17
					1 ¼		CMAS04882T11317	0,93	2.05
					1 ½		CMAS04882T11381	0,91	2.01
12	154,70	6.091	77,35	3.045	25		CMAS04882T1225	1,24	2.74
					30		CMAS04882T1230	1,22	2.69
					35		CMAS04882T1235	1,19	2.62
					40		CMAS04882T1240	1,16	2.55
					1		CMAS04882T12254	1,24	2.74
					1 ¼		CMAS04882T12317	1,19	2.62
					1 ½		CMAS04882T12381	1,17	2.58

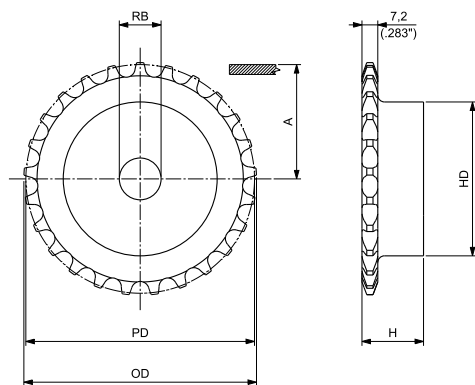
*Diameter is indicated.

SUITABLE FOR CHAINS:

- 843
- 845
- RR 845
- HF RR 845
- 1843T
- EW 1843T

MATERIALS

SPROCKETS: **S** CARBON STEEL



MACHINED SOLID SPROCKETS

N. TEETH	PITCH DIAMETER PD		OUTSIDE DIAMETER OD		WEAR STRIP POSITIONING A		HD		H		BORE SIZE**		PART NUMBER ROUND BORE RB	WEIGHT	
	mm	inch	mm	inch	mm	inch	mm	inch	mm	inch	mm	inch		Kg	lbs
13*	50,06	1.971	57,40	2.260	30,93	1.218	37	1.46	28	1.10	10	0.39	CMA028431300	0,28	0.62
15*	61,09	2.405	65,50	2.579	36,45	1.435	45	1.76	28	1.10	10	0.39	CMA028431500	0,41	0.90
17*	69,11	2.721	73,60	2.898	40,46	1.593	52	2.05	28	1.10	10	0.39	CMA028431700	0,54	1.19
19	77,16	3.038	81,70	3.217	44,48	1.751	60	2.36	28	1.10	12	0.47	CMA028431900	0,70	1.54
21	85,22	3.355	89,70	3.531	48,51	1.910	68	2.68	28	1.10	12	0.47	CMA028432100	0,89	1.96
23	93,27	3.672	98,20	3.866	52,54	2.068	70	2.76	28	1.10	12	0.47	CMA028432300	0,98	2.16
25	101,33	3.989	105,80	4.165	56,57	2.227	70	2.76	28	1.10	12	0.47	CMA028432500	1,06	2.34
27	109,40	4.307	114,00	4.488	60,60	2.386	70	2.76	30	1.18	15	0.59	CMA028432700	1,17	2.58
29	117,46	4.624	122,00	4.803	64,63	2.544	80	3.15	30	1.18	15	0.59	CMA028432900	1,47	3.24
31	125,54	4.943	130,20	5.126	68,67	2.704	90	3.54	30	1.18	16	0.63	CMA028433100	1,79	3.95
33	130,66	5.144	138,40	5.449	71,23	2.804	90	3.54	30	1.18	16	0.63	CMA028433300	1,88	4.14

*Cannot work with 1843T and EW 1843T series.

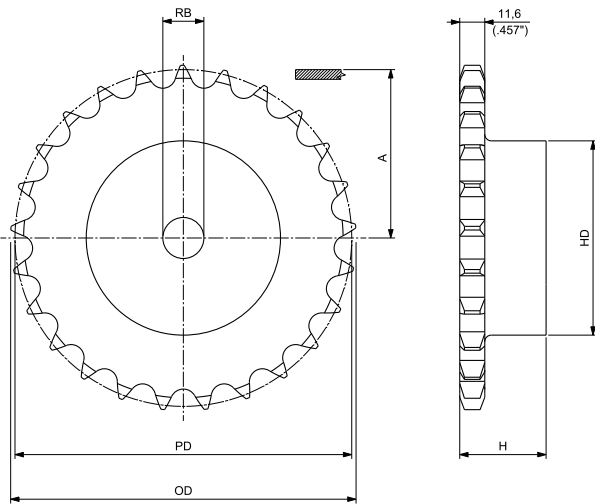
**Diameter is indicated (plain bore).

SUITABLE FOR CHAINS:

- 1864 / 1874T
- 863
- 1863T
- 1873T
- HFX 1873T
- GV 1874T / EV 1874T
- GW 1873T / EW 1873T / GD 1873T / GU 1873T
- GC 1873T

MATERIALS

SPROCKETS: **S** CARBON STEEL



MACHINED SOLID SPROCKETS

N. TEETH	PITCH DIAMETER PD		OUTSIDE DIAMETER OD		WEAR STRIP POSITIONING A		HD		H		BORE SIZE**		PART NUMBER ROUND BORE RB	WEIGHT	
	mm	inch	mm	inch	mm	inch	mm	inch	mm	inch	mm	inch		Kg	lbs
15*	91,63	3.607	99,80	3.929	56,22	2.213	70	2.76	35	1.38	14	0.55	CMA028631500	1,26	2.78
17*	103,67	4.081	111,50	4.390	62,24	2.450	80	3.15	35	1.38	16	0.63	CMA028631700	1,67	3.68
19	115,75	4.557	124,20	4.890	68,28	2.688	80	3.15	35	1.38	16	0.63	CMA028631900	1,82	4.01
21	127,82	5.032	136,00	5.354	74,31	2.926	90	3.54	40	1.57	20	0.79	CMA028632100	2,48	5.47
23	139,90	5.508	149,00	5.866	80,35	3.163	90	3.54	40	1.57	20	0.79	CMA028632300	2,71	5.97
25	152,00	5.984	160,00	6.299	86,40	3.402	90	3.54	40	1.57	20	0.79	CMA028632500	2,91	6.42
27	164,09	6.460	172,30	6.783	92,45	3.640	95	3.74	40	1.57	20	0.79	CMA028632700	3,39	7.47
29	176,19	6.937	184,10	7.248	98,50	3.878	95	3.74	40	1.57	20	0.79	CMA028632900	3,68	8.11
31	188,31	7.414	196,30	7.728	104,56	4.116	100	3.94	40	1.57	25	0.98	CMA028633100	4,18	9,22

*Cannot work with 1863T, 1873T, 1864, 1874T, HFX 1873T, EV 1874T, GD 1874T, GW 1873T, EW 1873T, GD 1873T, GU 1873T and GC 1873T series.

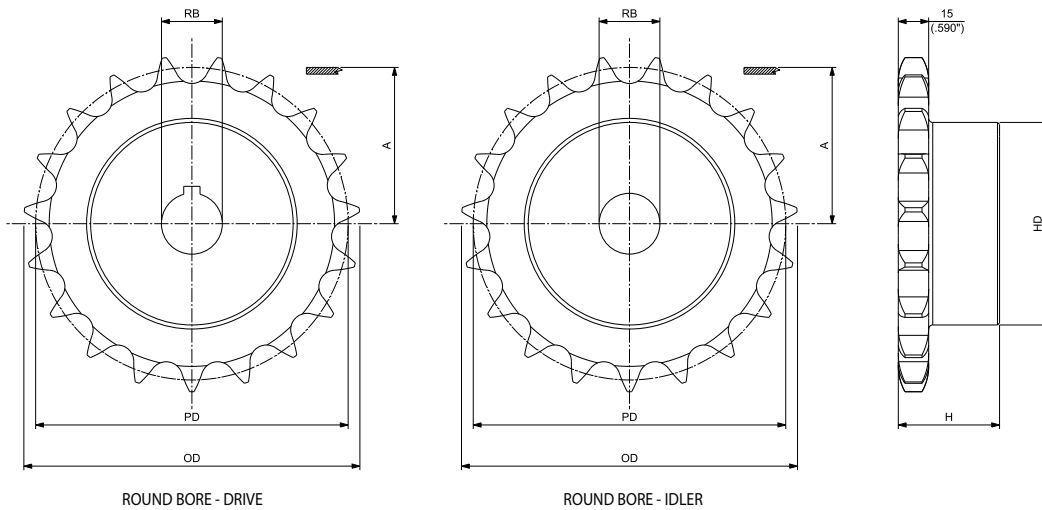
**Diameter is indicated (plain bore).

SUITABLE FOR CHAINS:

- 1883
- HFX 1883

MATERIALS

SPROCKETS: **S** CARBON STEEL



MACHINED SOLID SPROCKETS

N. TEETH	PITCH DIAMETER PD		OUTSIDE DIAMETER OD		WEAR STRIP POSITIONING A		HD		H		BORE SIZE*		PART NUMBER ROUND BORE RB		WEIGHT	
	mm	inch	mm	inch	mm	inch	mm	inch	mm	inch	mm	inch	DRIVE	IDLER	Kg	lbs
19	154,14	6.609	166,00	6.535	93,97	3.678	100	3.937	45	1.772	40		CMA0218831904	CMA0318831904	3,70	8.16
											1 1/2		CMA0218831910	CMA0318831910	3,70	8.16

*Diameter is indicated.

SUITABLE FOR CHAINS:

- 1700
- 1702
- 1701T

MATERIALS

SPROCKETS: **PA** POLYAMIDE

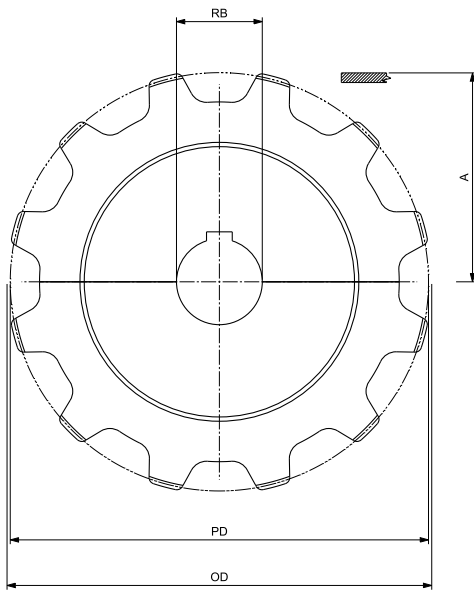
SCREWS: **SS** STAINLESS STEEL

NUTS: **B** BRASS

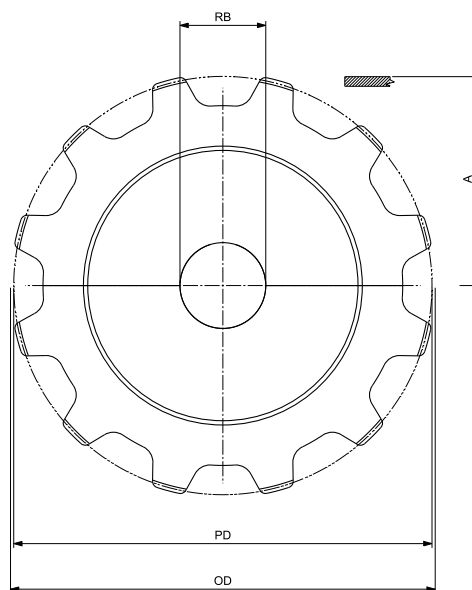


8T & 10T SPROCKETS

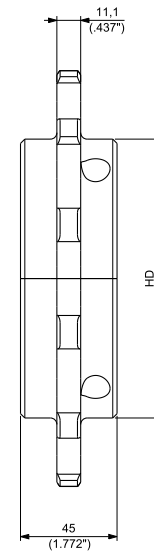
(for 12T & 13T see next page)



ROUND BORE - DRIVE



ROUND BORE - IDLER



MACHINED SPLIT DRIVE AND IDLER SPROCKETS

N. TEETH	PITCH DIAMETER PD		OUTSIDE DIAMETER OD		WEAR STRIP POSITIONING A		HD		BORE SIZE*		PART NUMBER ROUND BORE RB		WEIGHT	
	mm	inch	mm	inch	mm	inch	mm	inch	mm	inch**	DRIVE	IDLER	Kg	lbs
8	130,66	5.144	132,30	5.209	53,33	2.100	80	3.15	25	1	CMAS0217000825	CMAS0317000825	0,34	0.75
									30	1	CMAS0217000830	CMAS0317000830	0,33	0.73
									35	1	CMAS0217000835	CMAS0317000835	0,32	0.70
									40	1	CMAS0217000840	CMAS0317000840	0,30	0.66
									1 ¼	1	CMAS02170008254	CMAS03170008254	0,34	0.75
									1 ⅜	1	CMAS02170008317	CMAS03170008317	0,33	0.73
									1 ⅝	1	CMAS02170008349	CMAS03170008349	0,32	0.70
									1 ⅞	1	CMAS02170008365	CMAS03170008365	0,31	0.68
10	161,80	6.370	165,20	6.504	68,90	2.713	110	4.33	25	1	CMAS0217001025	CMAS0317001025	0,60	1.32
									30	1	CMAS0217001030	CMAS0317001030	0,59	1.30
									35	1	CMAS0217001035	CMAS0317001035	0,57	1.27
									40	1	CMAS0217001040	CMAS0317001040	0,56	1.23
									1 ¼	1	CMAS02170010254	CMAS03170010254	0,61	1.34
									1 ⅜	1	CMAS02170010317	CMAS03170010317	0,60	1.32
									1 ⅝	1	CMAS02170010349	CMAS03170010349	0,59	1.30
									1 ⅞	1	CMAS02170010365	CMAS03170010365	0,57	1.27
								1 ½	1	CMAS02170010381	CMAS03170010381	0,56	1.23	

*Diameter is indicated.

** Imperial round bore drive sprockets are supplied with setscrew. Metric round bore drive sprockets are supplied without setscrew.

SUITABLE FOR CHAINS:

- 1700
- 1702
- 1701T

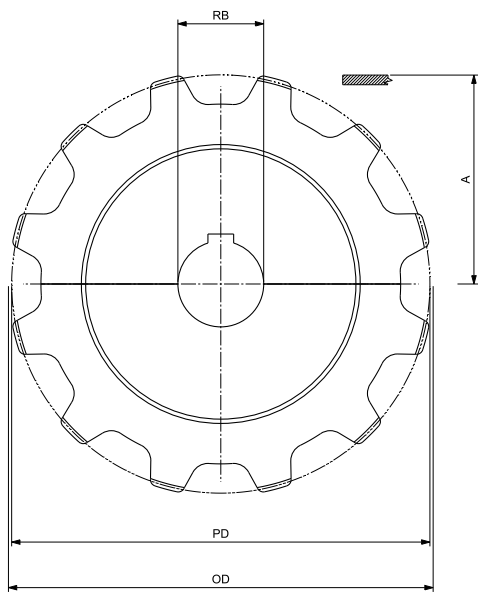
MATERIALS

SPROCKETS:	PA	POLYAMIDE
SCREWS:	SS	STAINLESS STEEL
NUTS:	B	BRASS

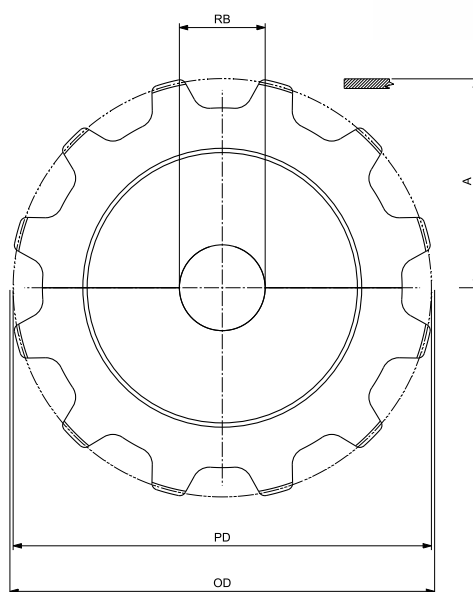


12T & 13T SPROCKETS

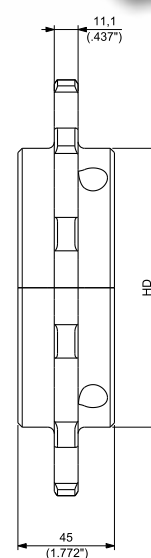
(for 8T & 10T see previous page)



ROUND BORE - DRIVE



ROUND BORE - IDLER



MACHINED SPLIT DRIVE AND IDLER SPROCKETS

N. TEETH	PITCH DIAMETER PD		OUTSIDE DIAMETER OD		WEAR STRIP POSITIONING A		HD		BORE SIZE*		PART NUMBER ROUND BORE RB		WEIGHT	
	mm	inch	mm	inch	mm	inch	mm	inch	mm	inch**	DRIVE	IDLER	Kg	lbs
12	193,19	7.606	198,00	7.795	84,60	3.331	130	5.12	25		CMAS0217001225	CMAS0317001225	0,84	1.85
									30		CMAS0217001230	CMAS0317001230	0,83	1.83
									35		CMAS0217001235	CMAS0317001235	0,82	1.80
									40		CMAS0217001240	CMAS0317001240	0,80	1.77
									1		CMAS02170012254	CMAS03170012254	0,84	1.85
									1 ¼		CMAS02170012317	CMAS03170012317	0,84	1.85
									1 ⅜		CMAS02170012349	CMAS03170012349	0,83	1.83
									1 ⅞		CMAS02170012365	CMAS03170012365	0,82	1.80
									1 ½		CMAS02170012381	CMAS03170012381	0,81	1.78
									13	208,93	8.226	214,20	8.433	92,47
30		CMAS0217001330	CMAS0317001330	0,83	1.83									
35		CMAS0217001335	CMAS0317001335	0,82	1.80									
40		CMAS0217001340	CMAS0317001340	0,80	1.77									
1		CMAS02170013254	CMAS03170013254	0,84	1.85									
1 ¼		CMAS02170013317	CMAS03170013317	0,84	1.85									
1 ⅜		CMAS02170013349	CMAS03170013349	0,83	1.83									
1 ⅞		CMAS02170013365	CMAS03170013365	0,82	1.80									
1 ½		CMAS02170013381	CMAS03170013381	0,81	1.78									

*Diameter is indicated.

**Imperial round bore drive sprockets are supplied with setscrew. Metric round bore drive sprockets are supplied without setscrew.



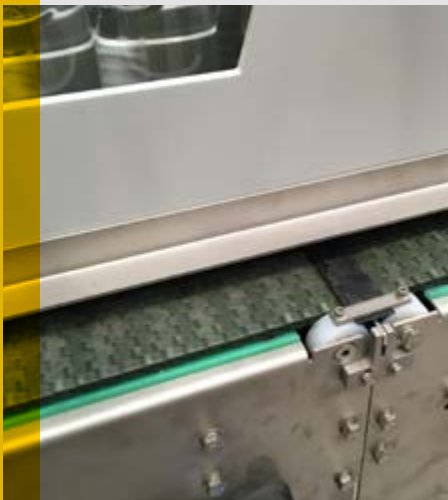
PERFORMANCE IN MOTION





PERFORMANCE IN MOTION

Matveyor[®]

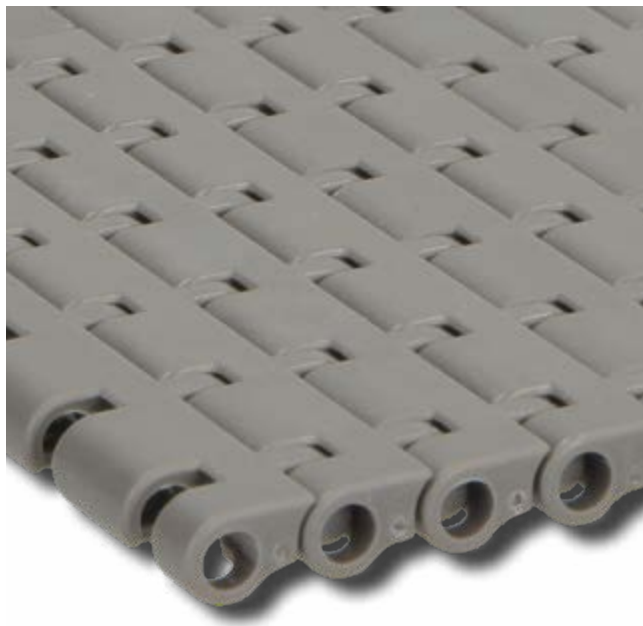




PERFORMANCE IN MOTION

Matveyor[®]

8mm Nanopitch Belt



INDUSTRIES AND APPLICATIONS

Suitable for handling unstable and delicate products with small foot-print (loose or packaged) in a nose-over linear transfer from the head of one conveyor to the next one.

INDUSTRIES

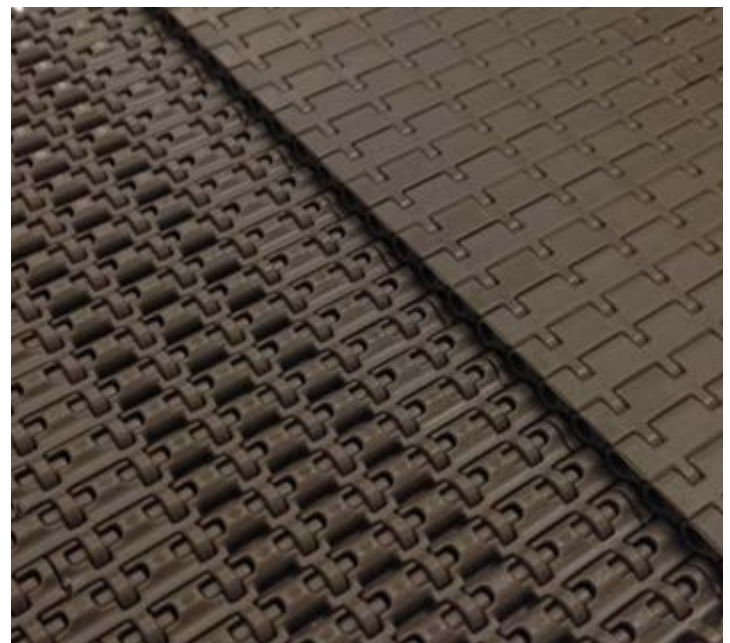
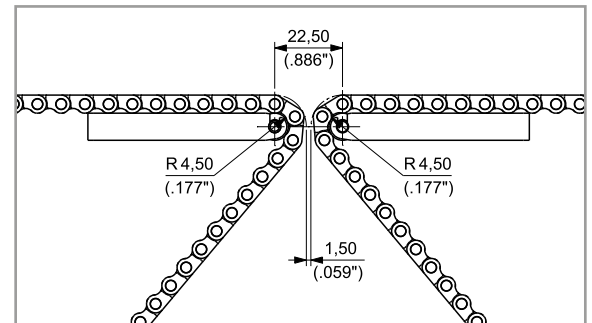
Bottling and canning
 Food filling
 Container manufacturing
 Pharmaceutical
 Paper/cardboard
 Consumer goods

APPLICATIONS

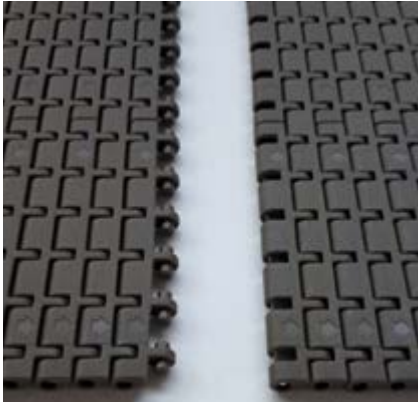
Infeed/outfeed packaging machines
 Product handling within packaging machine
 Dynamic alternative to the dead transfer plate between two conveyors equipped with longer pitch belts that do not allow for direct tight product transfer

FEATURES

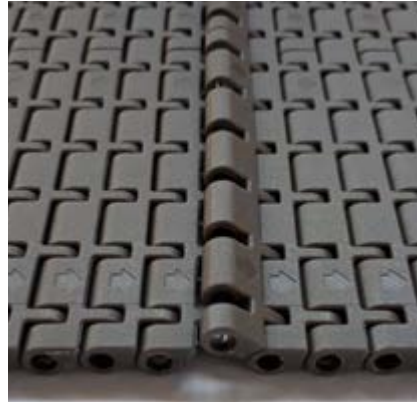
- Super-short pitch of 8 mm (0.315"), with no chordal effect in the engagement with sprockets or nosebar, allowing the maximization of product stability during head transfer.
- Pinless and clipless snap-on assembly, easing belt installation and eliminating complexity related to belt closing junction.
- Highest mechanical strength among all 8 mm pitch belts available on the market with independent pin assembly.



BELT ASSEMBLY

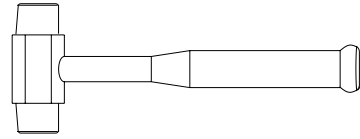


1) Bring the two ends of the belt close to each other on the conveyor. In order to guarantee the brick-lay assembly of the belt, make sure to always link 3" modules to 6" modules at belt edges.



2) Position hinge end over pin end, making sure that each hinge is matched with its corresponding pin.

REQUIRED TOOLS
- Plastic hammer



3) Starting from one edge of the belt, gently hammer the hinges into the corresponding pins along the belt width, by means of a plastic hammer. When the operation is completed, please remember to check that hinge and pins are jointed correctly.

BELT DISASSEMBLY



1) Insert the mounting pin under the hinges of the belt to be disassembled.



2) Insert the screwdriver into the space between the hinges.

NOTE: The screwdriver should have the dimensions indicated above.

REQUIRED TOOLS

- Pin with 6 mm diameter and length L= belt width + 40 mm
- Screwdriver:

a = 

b = 

$a_{max} = 1,2 \text{ mm}$
 $b_{max} = 6,5 \text{ mm}$



3) Slightly leverage the screwdriver to separate the pins from their corresponding hinges. DO NOT ROTATE THE SCREWDRIVER.



4) Repeat the previous operation along the belt width, acting on as many hinges as needed, until the belt comes apart completely.

6,15 mm (0.242") THICKNESS SOLID TOP

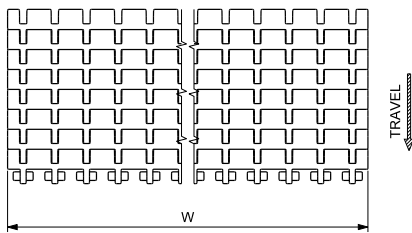
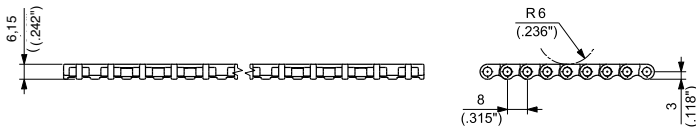
NEW



Ideal to equip conveyors with tight nose-over transfer of unstable and delicate products with small foot-print. Particularly suitable for the following applications:

- As a dynamic alternative to the dead transfer plate between two conveyors equipped with longer pitch belts that do not allow for direct transfer of tight products.
- Product handling within packaging machines.
- All other unstable and delicate small foot-print loose products handling applications.

- **Belt widths:** 76,2 mm (3") or wider in 76,2 mm (3") increments
- **Working Load (at 25°C/77°F):** 8000 N/m (548 lbs/ft) for **UP** material
- **Belt weight:** 5,36 kg/m² (1.10 lbs/ft²) for **UP** material



Matveyor



Materials
see page 12



Sprockets
see pages 163÷164



Applications
see page 20

WIDTH W		MATERIAL	
		Module	
mm	inch	UP ULTRA PERFORMANCE HOMOPOLYMER DELRIN®	
		PART NUMBER	
152,4	6	8300UP006	
228,6	9	8300UP009	
304,8	12	8300UP012	
381,0	15	8300UP015	
457,2	18	8300UP018	
533,4	21	8300UP021	
609,6	24	8300UP024	
685,8	27	8300UP027	
762,0	30	8300UP030	
838,2	33	8300UP033	
914,4	36	8300UP036	
990,6	39	8300UP039	

Belts wider than 990,6 mm (39") are available in 76,2 mm (3") increments.
To identify the Part Numbers, please substitute the last three digits of the PN with the desired width.
Example: for a 42" wide belt (=39+3"), the PN for UP material is "8300UP042".



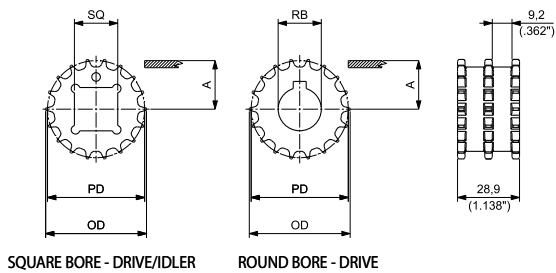
Standard packaging:
Belts are supplied in the length requested by the customer.

SUITABLE FOR CHAINS:

• 8300

MATERIALS

SPROCKETS: **PA** POLYAMIDE



MACHINED SOLID DRIVE SPROCKETS

N. TEETH	PITCH DIAMETER PD		OUTSIDE DIAMETER OD		WEAR STRIP POSITIONING A		BORE SIZE*		PART NUMBER		WEIGHT	
	mm	inch	mm	inch	mm	inch	mm	inch**	SQUARE BORE SQ DRIVE/IDLER	ROUND BORE RB DRIVE	Kg	lbs
18	46,07	1.814	47,00	1.850	20,04	0.789	20		MPBAQ83001820	MPBAT83001820	0,03	0.07
							25			MPBAT83001825	0,03	0.07
								3/4	MPBAQ830018190	MPBAT830018190	0,03	0.07
								1		MPBAT830018254	0,03	0.07
24	61,29	2.413	62,30	2.453	27,65	1.088	20			MPBAT83002420	0,07	0.15
							25		MPBAQ83002425	MPBAT83002425	0,06	0.13
							30			MPBAT83002430	0,05	0.11
								1	MPBAQ830024254	MPBAT830024254	0,06	0.13
								1 1/4		MPBAT830024317	0,05	0.11

*In case of round bore, diameter is indicated. In case of square bore, side of the square is indicated.

** Imperial round bore drive sprockets are supplied with setscrew. Metric round bore drive sprockets are supplied without setscrew.

SUITABLE FOR CHAINS:

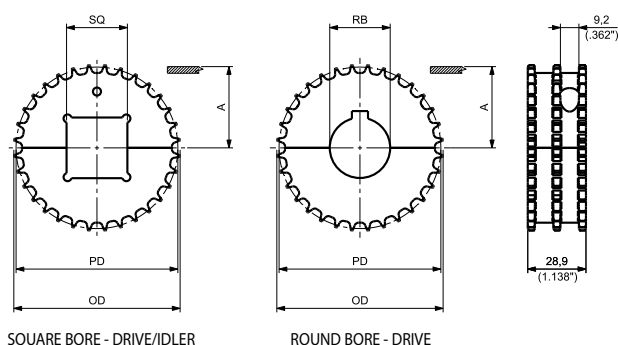
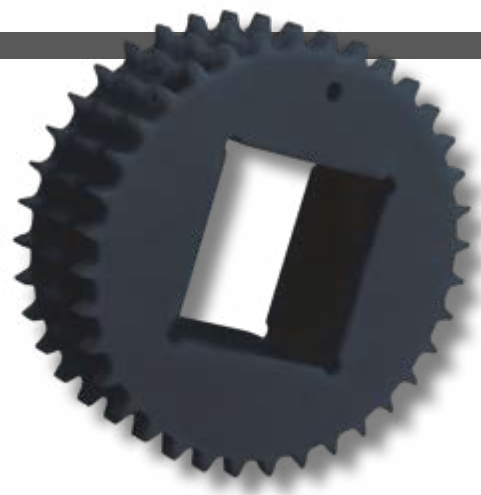
• 8300

MATERIALS

SPROCKETS: **PA** POLYAMIDE

SCREWS: **SS** STAINLESS STEEL

NUTS: **B** BRASS



SQUARE BORE - DRIVE/IDLER

ROUND BORE - DRIVE

MACHINED SPLIT DRIVE AND IDLER SPROCKETS

N. TEETH	PITCH DIAMETER PD		OUTSIDE DIAMETER OD		WEAR STRIP POSITIONING A		BORE SIZE*		PART NUMBER		WEIGHT	
	mm	inch	mm	inch	mm	inch	mm	inch**	SQUARE BORE SQ DRIVE/IDLER	ROUND BORE RB DRIVE	Kg	lbs
32	81,59	3.212	82,60	3.252	37,80	1.488	25			MPBAST83003225	0,14	0.31
							30	MPBASQ83003230	MPBAST83003230	0,13	0.29	
							35		MPBAST83003235	0,13	0.29	
							40	MPBASQ83003240	MPBAST83003240	0,12	0.26	
							1		MPBAST830032254	0,14	0.31	
							1¼		MPBAST830032317	0,13	0.29	
							1½	MPBASQ830032381	MPBAST830032381	0,12	0.26	
36	91,79	3.614	92,70	3.650	42,99	1.692	25			MPBAST83003625	0,20	0.44
							30	MPBASQ83003630	MPBAST83003630	0,19	0.42	
							35		MPBAST83003635	0,18	0.40	
							40	MPBASQ83003640	MPBAST83003640	0,17	0.37	
							1		MPBAST830036254	0,20	0.44	
							1¼		MPBAST830036317	0,19	0.42	
							1½	MPBASQ830036381	MPBAST830036381	0,18	0.40	

*In case of round bore, diameter is indicated. In case of square bore, side of the square is indicated.

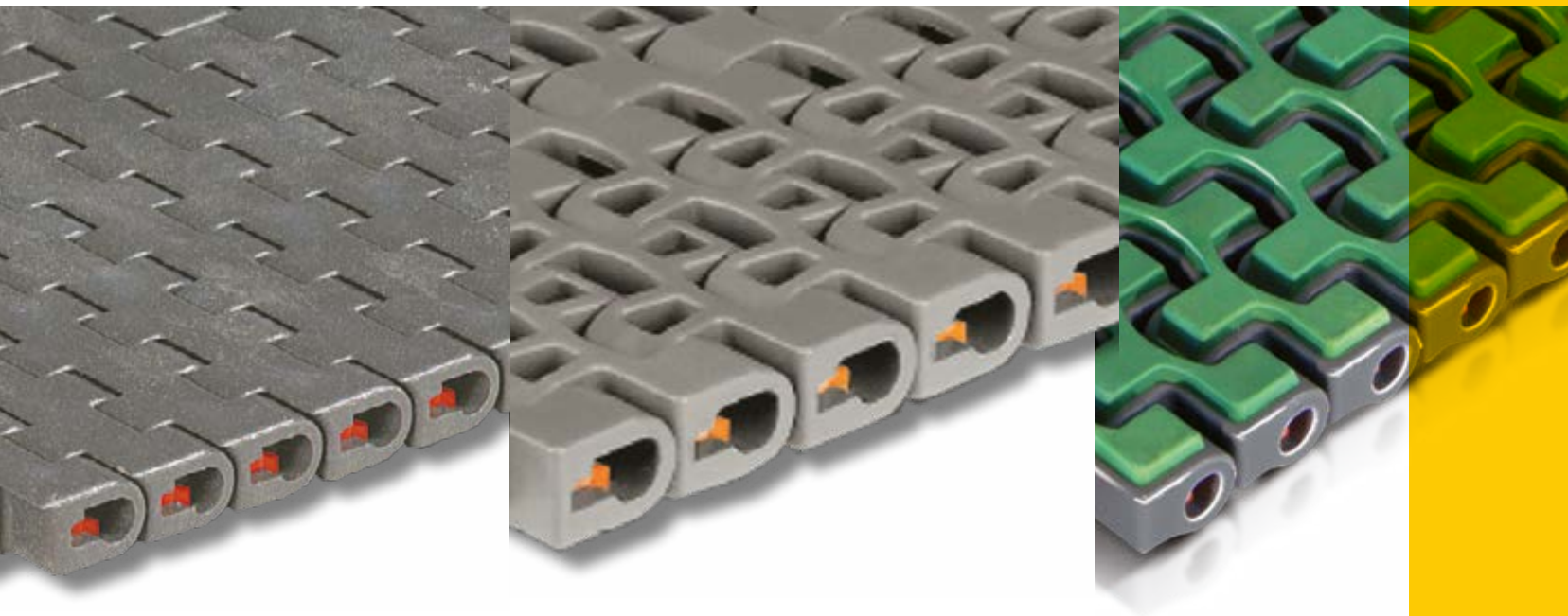
** Imperial round bore drive sprockets are supplied with setscrew. Metric round bore drive sprockets are supplied without setscrew.



PERFORMANCE IN MOTION

Matveyor[®]

1/2" Pitch Belts and Chains



INDUSTRIES AND APPLICATIONS

Suitable for handling small and unstable products (loose or packaged) in a linear transfer from the head of one conveyor to the next one.

INDUSTRIES

Bottling and canning
 Food filling
 Container manufacturing
 Pharmaceutical
 Paper/cardboard
 Consumer goods

APPLICATIONS

Depalletizer
 Mass conveyors
 Accumulation tables
 Infeed packaging machines
 Packaged product convey
 Product handling within packaging machine (narrow chains)



Matveyor

REGINA SHORT PITCH (1/2") BELTS

REGINA offers the most complete range of 1/2" pitch belts available on the market, all with 8,7 mm thickness, having the following technical and geometrical features:

- Top surface: solid, rubberized and flush grid.
- Bottom surface: flat (available for metric standard width only) or round.
- Width standard: metric (85 mm width increments) or imperial (3" width increments).
- Tracking guide: belts available with or without tracking guide, depending on the series.

The complete range of REGINA 1/2" pitch belts, together with their geometrical features and available materials is showed in the table below.

SERIES	TOP SURFACE	BOTTOM DESIGN	WIDTH STANDARD	TRACKING GUIDE VERSION		MODULE MATERIAL	RUBBER MATERIAL
				Without	With		
610	Solid	Round	Metric	Available	Available	NEW e-FAST. DKK ²⁻ UP PP	
600	Solid	Flat	Metric	Available	Available	e-FAST. DKK ²⁻ UP PP	
300	Solid	Round	Imperial	Available	Not available	e-FAST. DKK ²⁻ UP PP	
500	Flush Grid	Flat	Metric	Available	Available	UP PP	
200	Flush Grid	Round	Imperial	Available	Not available	UP PP	
HF 510	Rubberized	Round	Metric	Available	Available	ULF PP	TPE
HF 200	Rubberized	Round	Imperial	Available	Not available	ULF PP	TPE
LBP 610	Rollers	Round	Metric	Available	Available	UP	

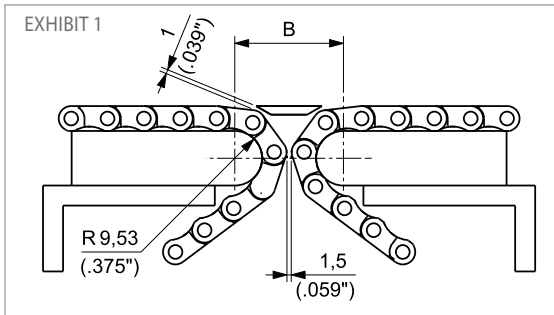
FEATURES

As a complement to its 1/2" pitch modular belts, REGINA proposes a complete range of nose-over transfer components, including static modular nose-over bars and an 8T sprocket, allowing for the following:

- Support products transfer from one conveyor to the next one
- Allow the belt to wrap around a small radius at the head of the conveyor, minimizing the deadplate width

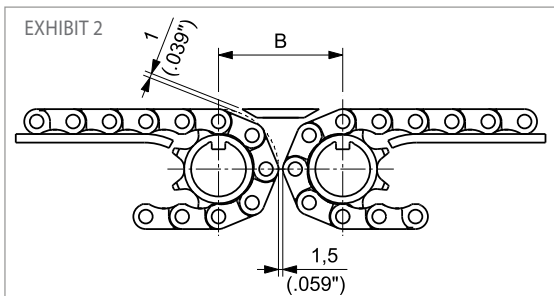
NOSE-OVER TRANSFER

Exhibit 1 and Exhibit 2 display the minimum recommended center to center distance between head transfer components (nosebar or 8T sprockets), depending on the belt series.



The minimum recommended chordal gap between belt and deadplate is 1 mm (0.039").

BELT SERIES	MINIMUM CENTER TO CENTER DISTANCE B	
	mm	inch
610, 300, 200	37,95	1.494
600, 500	40,76	1.604
HF 510, HF 200	41,95	1.652
LBP 610	57,37	2.258



The minimum recommended chordal gap between belt and deadplate is 1 mm (0.039").

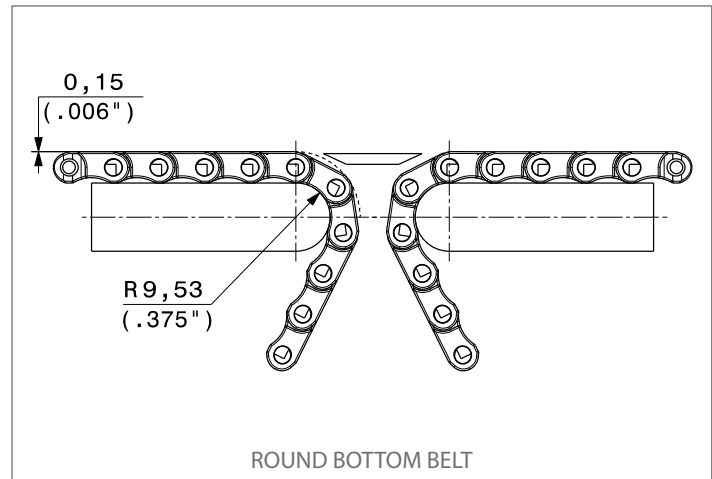
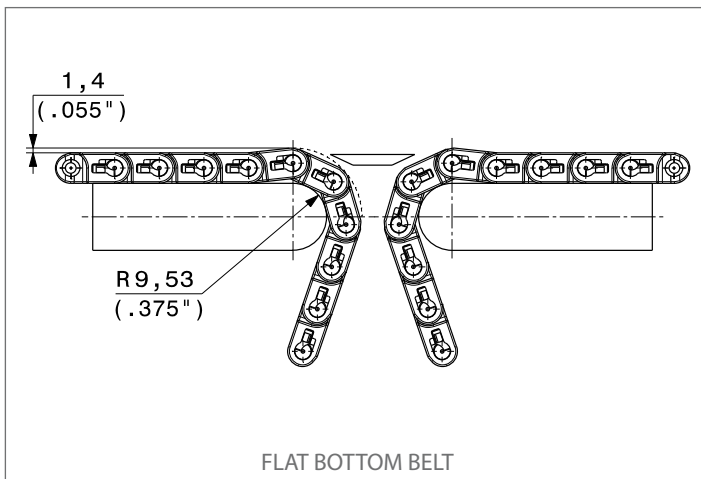
BELT SERIES	MINIMUM CENTER TO CENTER DISTANCE B	
	mm	inch
610, 300, 200	43,39	1.708
HF 510, HF 200	47,39	1.866
LBP 610	63,46	2.498

PRODUCT SELECTION

A critical aspect of choosing a REGINA solid top 1/2" pitch belt is to identify the best belt bottom contour suitable for the application (please refer to Exhibit 3). In particular:

- The round bottom design dramatically reduces the chordal effect when the belt engages with the nose-over bar
 - Such reduction is as high as 89%, from 1,4 mm of the flat-bottom to 0,15 mm of the round-bottom
- The flat bottom design guarantees a continuous contact between belt and wear strips
 - Such contact allows for less specific pressure than round bottom design

EXHIBIT 3 - COMPARISON BETWEEN REGINA SOLID TOP 1/2" PITCH FLAT BOTTOM AND ROUND BOTTOM BELTS DESIGN



As a consequence:

- Round bottom surface design accomplishes greater product stability during end-to-end transfer.
- Flat bottom surface design minimizes belt wear.

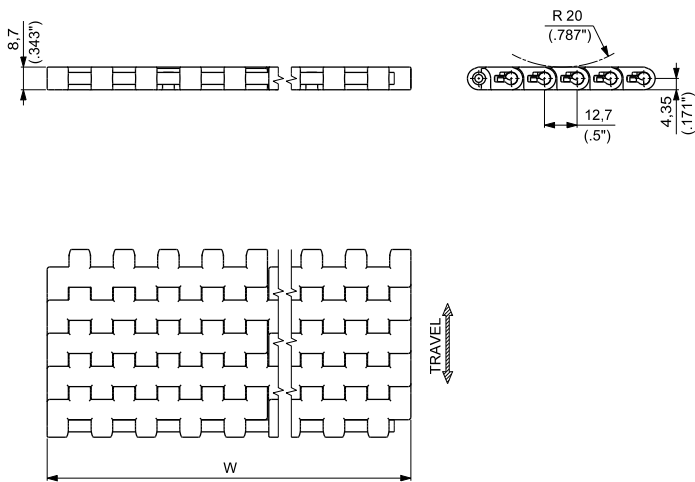
8,7 mm (0.343") THICKNESS SOLID TOP

This belt offers a smooth and completely closed surface to provide excellent support and minimize product tipping. Particularly suitable for conveyors where head transfer of products is required.

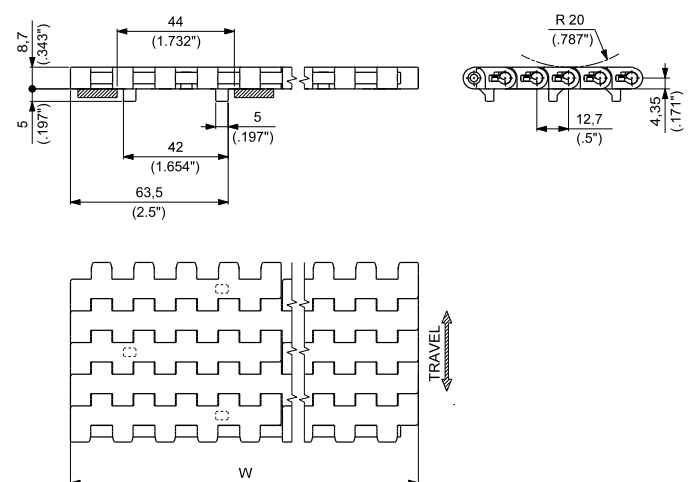
- **Belt widths:** 85 mm (3.346") or wider in 85 mm (3.346") increments
- **Working Load (at 25°C/77°F):** 14000 N/m (960 lbs/ft) for **UP** and **DK²** materials
10000 N/m (685 lbs/ft) for **PP** material
- **Belt weight:** 9,55 kg/m² (1.95 lbs/ft²) for **UP** and **DK²** materials
6,46 kg/m² (1.32 lbs/ft²) for **PP** material



VERSION WITHOUT TRACKING GUIDE



VERSION WITH TRACKING GUIDE



NOTE: The belt is also available with single tracking guide at both belt sides. Please contact REGINA customer service for further information.



Materials see page 12



Nosebar see page 181



Sprockets see pages 188÷192



Applications see page 22

WIDTH W		MATERIALS						Pin
		Module						
		UP ULTRA PERFORMANCE HOMOPOLYMER DELRIN®		DK ² SPECIAL DELRIN® REINFORCED WITH KEVLAR®		PP SPECIAL POLYPROPYLENE ⁽¹⁾		
		PART NUMBER		PART NUMBER		PART NUMBER		
mm	inch	WITHOUT TRACKING GUIDE	WITH TRACKING GUIDE	WITHOUT TRACKING GUIDE	WITH TRACKING GUIDE	WITHOUT TRACKING GUIDE	WITH TRACKING GUIDE	
85	3.35	600AUP0085	600AGUP0085	600AD2K0085	600AGD2K0085	600APP0085	600AGPP0085	PBT
170	6.69	600BUP0170	600BG1UP0170	600BD2K0170	600BG1D2K0170	600BPP0170	600BG1PP0170	POLYPROPYLENE (PBT on request)
255	10.04	600BUP0255	600BG1UP0255	600BD2K0255	600BG1D2K0255	600BPP0255	600BG1PP0255	
340	13.39	600BUP0340	600BG1UP0340	600BD2K0340	600BG1D2K0340	600BPP0340	600BG1PP0340	
425	16.73	600BUP0425	600BG1UP0425	600BD2K0425	600BG1D2K0425	600BPP0425	600BG1PP0425	
510	20.08	600BUP0510	600BG1UP0510	600BD2K0510	600BG1D2K0510	600BPP0510	600BG1PP0510	
595	23.43	600BUP0595	600BG1UP0595	600BD2K0595	600BG1D2K0595	600BPP0595	600BG1PP0595	
680	26.77	600BUP0680	600BG1UP0680	600BD2K0680	600BG1D2K0680	600BPP0680	600BG1PP0680	
765	30.12	600BUP0765	600BG1UP0765	600BD2K0765	600BG1D2K0765	600BPP0765	600BG1PP0765	
850	33.46	600BUP0850	600BG1UP0850	600BD2K0850	600BG1D2K0850	600BPP0850	600BG1PP0850	
935	36.81	600BUP0935	600BG1UP0935	600BD2K0935	600BG1D2K0935	600BPP0935	600BG1PP0935	
1020	40.16	600BUP1020	600BG1UP1020	600BD2K1020	600BG1D2K1020	600BPP1020	600BG1PP1020	

⁽¹⁾ ACTUAL WIDTH CAN BE UP TO 1% GREATER THAN NOMINAL WIDTH

Belts wider than 1020 mm (40.16") are available in 85 mm (3.35") increments.
To identify the Part Numbers, please substitute the last four digits of the PN with the desired width.
Example: for a 1105 mm wide belt (=1020+85 mm) without guide, the PN for UP material is "600BUP1105".



Standard packaging:
Belt widths ≤ 680 mm (26.77") are supplied in rolls of 3,048 m (10 ft) each.
Belt widths ≥ 765 mm (30.12") are supplied at the length requested by the customer.

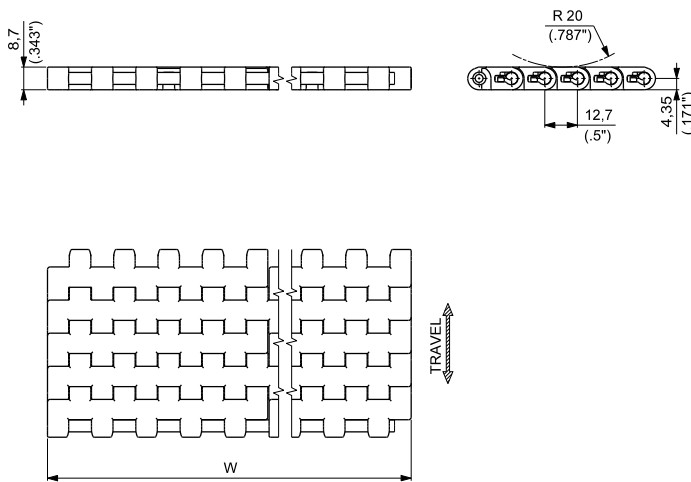
8,7 mm (0.343") THICKNESS SOLID TOP

This belt offers a smooth and completely closed surface to provide excellent support and minimize product tipping. Particularly suitable for conveyors where head transfer of products is required.

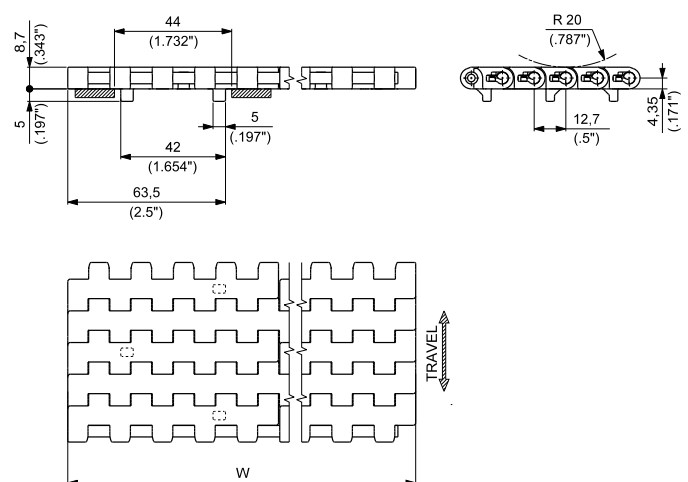
- **Belt widths:** 85 mm (3.346") or wider in 85 mm (3.346") increments
- **Working Load (at 25°C/77°F):** 14000 N/m (960 lbs/ft) for **e-F.A.S.T.** material
- **Belt weight:** 9,55 kg/m² (1.95 lbs/ft²) for **e-F.A.S.T.** material



VERSION WITHOUT TRACKING GUIDE



VERSION WITH TRACKING GUIDE



NOTE: The belt is also available with single tracking guide at both belt sides. Please contact REGINA customer service for further information.



Materials see page 12



Nosebar see page 181



Sprockets see pages 188+192



Applications see page 22

WIDTH W		MATERIALS		Pin
		e-F.A.S.T. ECOLOGICAL FRICTION ABATING THERMOPLASTIC		
		PART NUMBER		PBT
mm	inch	WITHOUT TRACKING GUIDE	WITH TRACKING GUIDE	
85	3.35	600AEF0085	600AGEF0085	
170	6.69	600AEF0170	600AG1EF0170	
255	10.04	600AEF0255	600AG1EF0255	
340	13.39	600AEF0340	600AG1EF0340	
425	16.73	600AEF0425	600AG1EF0425	
510	20.08	600AEF0510	600AG1EF0510	
595	23.43	600AEF0595	600AG1EF0595	
680	26.77	600AEF0680	600AG1EF0680	
765	30.12	600AEF0765	600AG1EF0765	
850	33.46	600AEF0850	600AG1EF0850	
935	36.81	600AEF0935	600AG1EF0935	
1020	40.16	600AEF1020	600AG1EF1020	

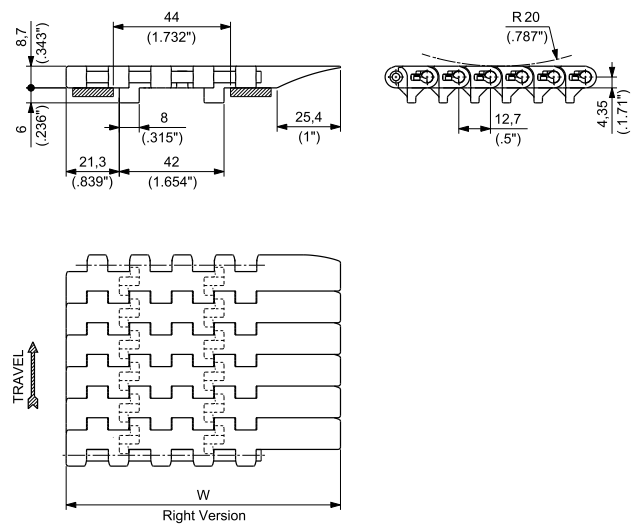
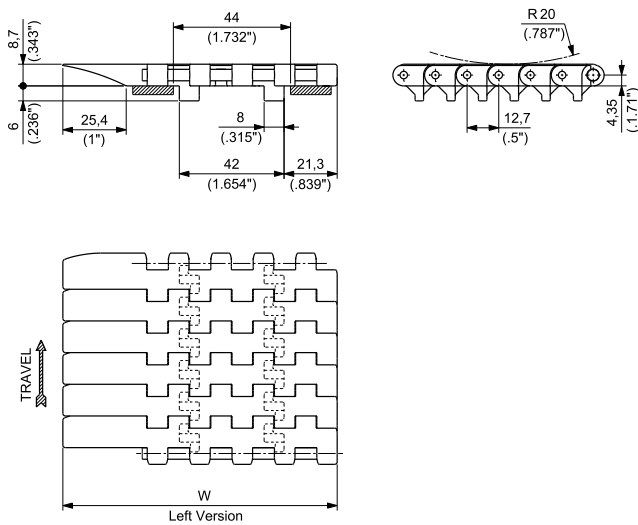
Belts wider than 1020 mm (40.16") are available in 85 mm (3.35") increments. To identify the Part Numbers, please substitute the last four digits of the PN with the desired width. Example: for a 1105 mm wide belt (=1020+85 mm) without guide, the PN for EF material is "600AEF1105".



Standard packaging:
Belt widths ≤ 680 mm (26.77") are supplied in rolls of 3,048 m (10 ft) each.
Belt widths ≥ 765 mm (30.12") are supplied at the length requested by the customer.

ACTIVE TRANSFER MODULES 8,7 mm (0.343") THICKNESS SOLID TOP

Active transfer modules 600G ATM series allow the transfer of the products between two 90° conveyor tracks without using dead plates. Left and right version available.



Materials see page 12



Sprockets see pages 188÷191



Applications see page 22

600G ATM - Left Version

MATERIALS		ITEM DESCRIPTION	PART NUMBER	WIDTH W		PLATE THICKNESS		WORKING LOAD (25°C/77°F)		WEIGHT	
Plate	Pin			mm	inch	mm	inch	N	lbs	kg/m	lbs/ft
ULTRA PERFORMANCE HOMOPOLYMER DELRIN® UP		600BGATM UP 0085 SX	600BGATMUP085S	110	4.33	8,7	0.343	1190	268	0,96	0.64
POLYPROPYLENE											
SPECIAL DELRIN® REINFORCED WITH KEVLAR® DK2		600BGATM D2K 0085 SX	600BGATMD2K085S	110	4.33	8,7	0.343	1190	268	0,96	0.64

600G ATM - Right Version

MATERIALS		ITEM DESCRIPTION	PART NUMBER	WIDTH W		PLATE THICKNESS		WORKING LOAD (25°C/77°F)		WEIGHT	
Plate	Pin			mm	inch	mm	inch	N	lbs	kg/m	lbs/ft
ULTRA PERFORMANCE HOMOPOLYMER DELRIN® UP		600BGATM UP 0085 DX	600BGATMUP085D	110	4.33	8,7	0.343	1190	268	0,96	0.64
POLYPROPYLENE											
SPECIAL DELRIN® REINFORCED WITH KEVLAR® DK2		600BGATM D2K 0085 DX	600BGATMD2K085D	110	4.33	8,7	0.343	1190	268	0,96	0.64



Standard packaging: Rolls of 3,048 m (10 feet)

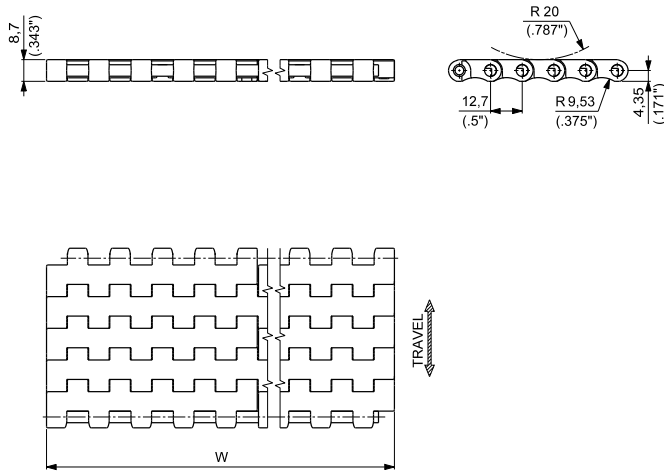
8,7 mm (0.343") THICKNESS SOLID TOP

The belt offers a completely closed top surface design for an excellent product support without tipping. The round bottom surface combined to the reduced pitch (1/2") provides the minimum chordal effect for an optimum head transfer of products. Particularly suitable for conveyors where a head transfer of products is required.

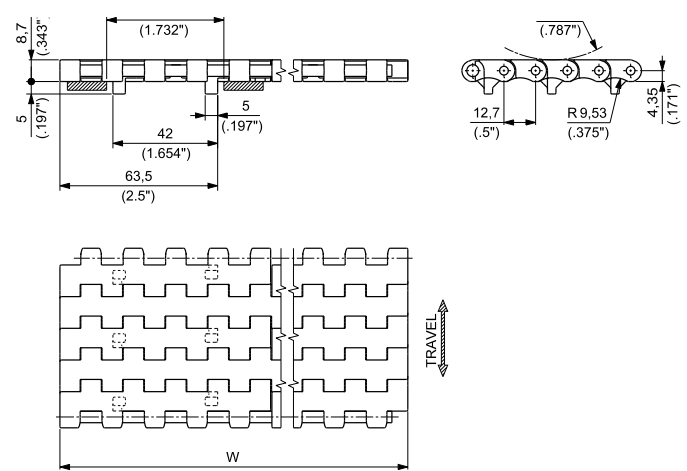


- **Belt widths:** 85 mm (3.346") or wider in 85 mm (3.346") increments
- **Working Load (at 25°C/77°F):** 14000 N/m (960 lbs/ft) for **UP** and **DK2** materials
10000 N/m (685 lbs/ft) for **PP** material
- **Belt weight:** 9,55 kg/m² (1.96 lbs/ft²) for **UP** and **DK2** materials
6,46 kg/m² (1.32 lbs/ft²) for **PP** material

VERSION WITHOUT TRACKING GUIDE



VERSION WITH TRACKING GUIDE



Materials
see page 12



Nosebar
see page 181



Sprockets
see pages 188-192



Applications
see page 22

WIDTH W		MATERIALS						Pin
		Module						
		UP ULTRA PERFORMANCE HOMOPOLYMER DELRIN®		DK2 SPECIAL DELRIN® REINFORCED WITH KEVLAR®		PP SPECIAL POLYPROPYLENE ⁽¹⁾		
PART NUMBER		PART NUMBER		PART NUMBER		PBT		
mm	inch	WITHOUT TRACKING GUIDE	WITH TRACKING GUIDE	WITHOUT TRACKING GUIDE	WITH TRACKING GUIDE		WITHOUT TRACKING GUIDE	WITH TRACKING GUIDE
85	3.35	610AUP0085	610AGUP0085	610AD2K0085	610AGD2K0085		610APP0085	610AGPP0085
170	6.69	610BUP0170	610BG1UP0170	610BD2K0170	610BG1D2K0170	610BPP0170	610BG1PP0170	
255	10.04	610BUP0255	610BG1UP0255	610BD2K0255	610BG1D2K0255	610BPP0255	610BG1PP0255	
340	13.39	610BUP0340	610BG1UP0340	610BD2K0340	610BG1D2K0340	610BPP0340	610BG1PP0340	
425	16.73	610BUP0425	610BG1UP0425	610BD2K0425	610BG1D2K0425	610BPP0425	610BG1PP0425	
510	20.08	610BUP0510	610BG1UP0510	610BD2K0510	610BG1D2K0510	610BPP0510	610BG1PP0510	
595	23.43	610BUP0595	610BG1UP0595	610BD2K0595	610BG1D2K0595	610BPP0595	610BG1PP0595	
680	26.77	610BUP0680	610BG1UP0680	610BD2K0680	610BG1D2K0680	610BPP0680	610BG1PP0680	
765	30.12	610BUP0765	610BG1UP0765	610BD2K0765	610BG1D2K0765	610BPP0765	610BG1PP0765	
850	33.46	610BUP0850	610BG1UP0850	610BD2K0850	610BG1D2K0850	610BPP0850	610BG1PP0850	
935	36.81	610BUP0935	610BG1UP0935	610BD2K0935	610BG1D2K0935	610BPP0935	610BG1PP0935	
1020	40.16	610BUP1020	610BG1UP1020	610BD2K1020	610BG1D2K1020	610BPP1020	610BG1PP1020	

⁽¹⁾ ACTUAL WIDTH CAN BE UP TO 1% GREATER THAN NOMINAL WIDTH

Belts wider than 1020 mm (40.16") are available in 85 mm (3.35") increments.
To identify the Part Numbers, please substitute the last four digits of the PN with the desired width.
Example: for a 1105 mm wide belt (=1020+85 mm) without guide, the PN for UP material is "600BUP1105".

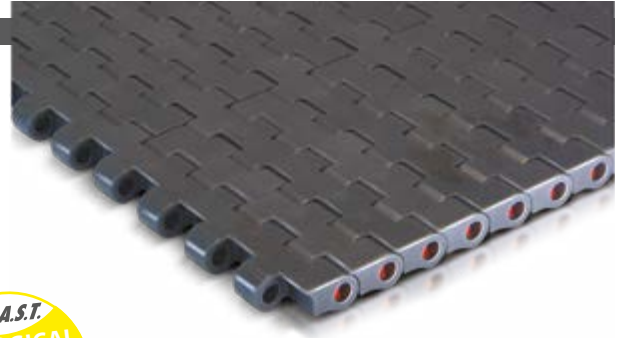


Standard packaging:
Belt widths ≤ 680 mm (26.77") are supplied in rolls of 3,048 m (10 ft) each.
Belt widths ≥ 765 mm (30.12") are supplied in the length requested by the customer.

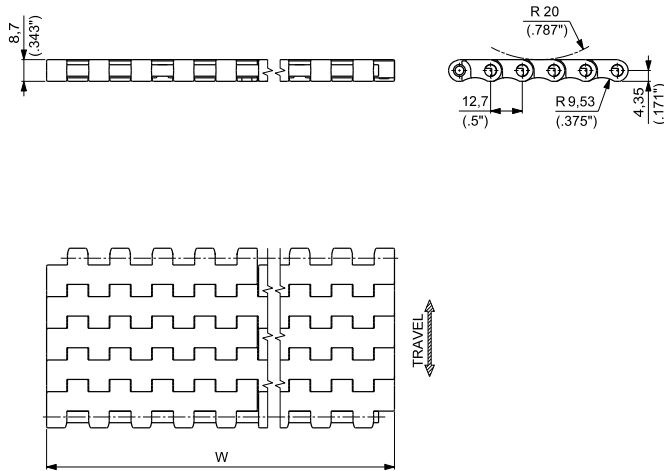
8,7 mm (0.343") THICKNESS SOLID TOP

The belt offers a completely closed top surface design for an excellent product support without tipping. The round bottom surface combined to the reduced pitch (1/2") provides the minimum chordal effect for an optimum head transfer of products. Particularly suitable for conveyors where a head transfer of products is required.

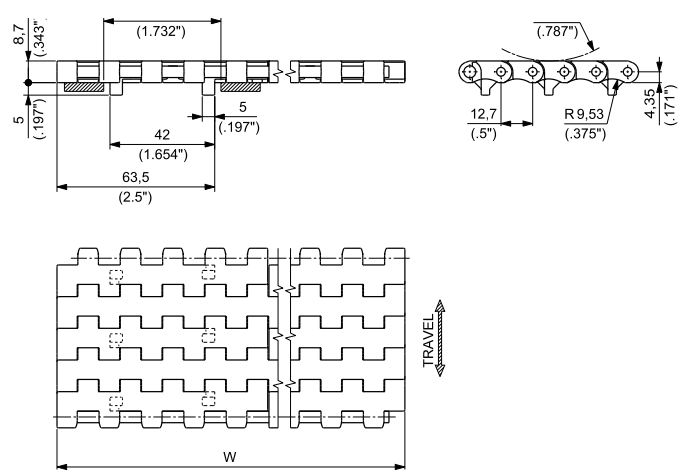
- **Belt widths:** 85 mm (3.346") or wider in 85 mm (3.346") increments
- **Working Load (at 25°C/77°F):** 14000 N/m (960 lbs/ft) for **e-F.A.S.T.** material
- **Belt weight:** 9,55 kg/m² (1.95 lbs/ft²) for **e-F.A.S.T.** material



VERSION WITHOUT TRACKING GUIDE



VERSION WITH TRACKING GUIDE



Matveyor



Materials
see page 12



Nosebar
see page 181



Sprockets
see pages 188-192



Applications
see page 22

WIDTH W		MATERIALS		
		e-F.A.S.T. ECOLOGICAL FRICTION ABATING THERMOPLASTIC		
		PART NUMBER		Pin
mm	inch	WITHOUT TRACKING GUIDE	WITH TRACKING GUIDE	
85	3.35	610AEF0085	610AGEF0085	PBT
170	6.69	610AEF0170	610AG1EF0170	
255	10.04	610AEF0255	610AG1EF0255	
340	13.39	610AEF0340	610AG1EF0340	
425	16.73	610AEF0425	610AG1EF0425	
510	20.08	610AEF0510	610AG1EF0510	
595	23.43	610AEF0595	610AG1EF0595	
680	26.77	610AEF0680	610AG1EF0680	
765	30.12	610AEF0765	610AG1EF0765	
850	33.46	610AEF0850	610AG1EF0850	
935	36.81	610AEF0935	610AG1EF0935	
1020	40.16	610AEF1020	610AG1EF1020	

Belts wider than 1020 mm (40.16") are available in 85 mm (3.35") increments.
To identify the Part Numbers, please substitute the last four digits of the PN with the desired width.
Example: for a 1105 mm wide belt (=1020+85 mm) without guide, the PN for EF material is "610AEF1105".



Standard packaging:
Belt widths ≤ 680 mm (26.77") are supplied in rolls of 3,048 m (10 ft) each.
Belt widths ≥ 765 mm (30.12") are supplied in the length requested by the customer.

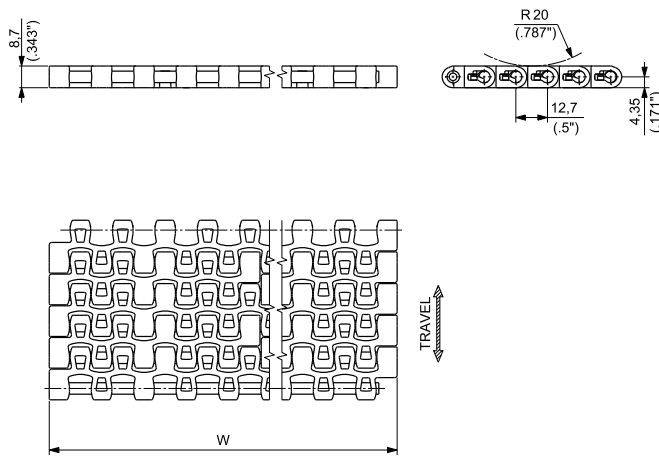
8,7 mm (0.343") THICKNESS FLUSH GRID

Excellent combination of support and open area (21%).
Optimum drainage of liquids and good support of the conveyed products.
Particularly suitable for conveyors where the head transfer of products is required.

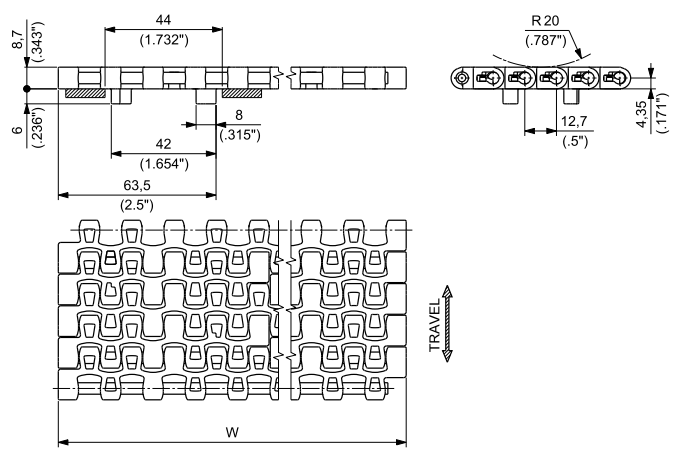
- **Belt widths:** 85 mm (3.346") or wider in 85 mm (3.346") increments
- **Working Load (at 25°C/77°F):** 14000 N/m (960 lbs/ft) for **UP** material
10000 N/m (685 lbs/ft) for **PP** material
- **Belt weight:** 7,06 kg/m² (1.45 lbs/ft²) for **UP** material
4,76 kg/m² (0.97 lbs/ft²) for **PP** material



VERSION WITHOUT TRACKING GUIDE



VERSION WITH TRACKING GUIDE



NOTE: The belt is also available with single tracking guide at both belt sides. Please contact REGINA customer service for further information.



Materials see page 12



Nosebar see page 181



Sprockets see pages 188-192



Applications see page 22

WIDTH W		MATERIALS				Pin
		Module		Pin		
mm	inch	UP	PP	UP	PP	PBT
		ULTRA PERFORMANCE HOMOPOLYMER DELRIN®		SPECIAL POLYPROPYLENE ⁽¹⁾		
		PART NUMBER		PART NUMBER		
		WITHOUT TRACKING GUIDE	WITH TRACKING GUIDE	WITHOUT TRACKING GUIDE	WITH TRACKING GUIDE	
85	3.35	500AUP0085	500AGUP0085	500APP0085	500AGPP0085	PBT
170	6.69	500BUP0170	500BG1UP0170	500BPP0170	500BG1PP0170	POLYPROPYLENE (PBT on request)
255	10.04	500BUP0255	500BG1UP0255	500BPP0255	500BG1PP0255	
340	13.39	500BUP0340	500BG1UP0340	500BPP0340	500BG1PP0340	
425	16.73	500BUP0425	500BG1UP0425	500BPP0425	500BG1PP0425	
510	20.08	500BUP0510	500BG1UP0510	500BPP0510	500BG1PP0510	
595	23.43	500BUP0595	500BG1UP0595	500BPP0595	500BG1PP0595	
680	26.77	500BUP0680	500BG1UP0680	500BPP0680	500BG1PP0680	
765	30.12	500BUP0765	500BG1UP0765	500BPP0765	500BG1PP0765	
850	33.46	500BUP0850	500BG1UP0850	500BPP0850	500BG1PP0850	
935	36.81	500BUP0935	500BG1UP0935	500BPP0935	500BG1PP0935	
1020	40.16	500BUP1020	500BG1UP1020	500BPP1020	500BG1PP1020	

⁽¹⁾ ACTUAL WIDTH CAN BE UP TO 1% GREATER THAN NOMINAL WIDTH

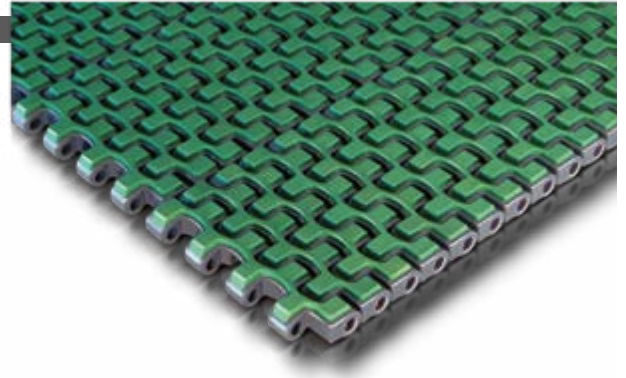
Belts wider than 1020 mm (40.16") are available in 85 mm (3.35") increments.
To identify the Part Numbers, please substitute the last four digits of the PN with the desired width.
Example: for a 1105 mm wide belt (=1020+85 mm) without guide, the PN for UP material is "500BUP1105".



Standard packaging:
Belt widths ≤ 680 mm (26.77") are supplied in rolls of 3,048 m (10 ft) each.
Belt widths ≥ 765 mm (30.12") are supplied in the length requested by the customer.

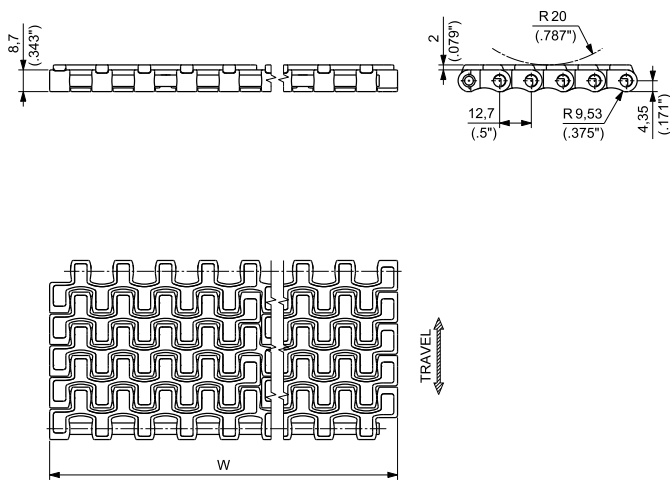
8,7 mm (0.343") THICKNESS RUBBERIZED SURFACE

Belt designed for handling packed containers like boxes, multi packs and cases in packaging lines. It is the optimal solution for high speed stop belts, metering belts, etc. The rubberized area is maximized, both in the transversal and longitudinal direction, reducing gaps between the rubber pads.

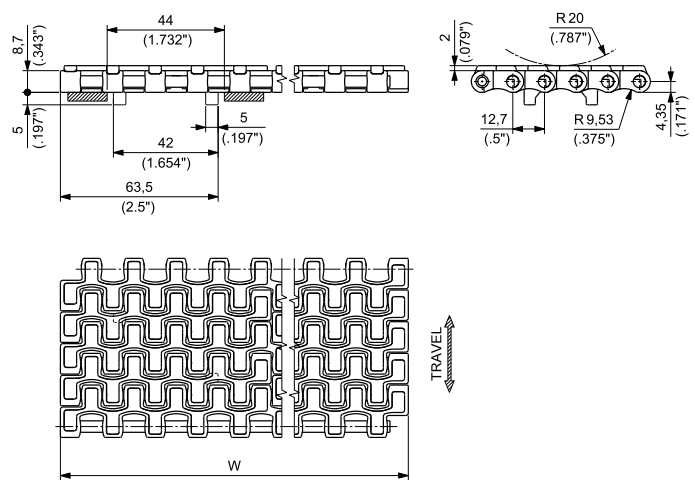


- **Belt widths:** 85 mm (3.346") or wider in 85 mm (3.346") increments
- **Working Load (at 25°C/77°F):** 14000 N/m (960 lbs/ft) for **ULF** material
- **Belt weight:** 9,14 kg/m² (1.87 lbs/ft²) for **ULF** material

VERSION WITHOUT TRACKING GUIDE



VERSION WITH TRACKING GUIDE



NOTE: The belt is also available with single tracking guide at both belt sides. Please contact REGINA customer service for further information.



Materials
see page 12



Nosebar
see page 181



Sprockets
see pages 188-192



Applications
see page 22

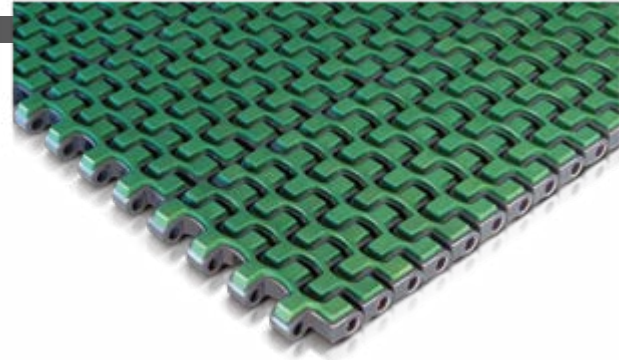
WIDTH W		MATERIALS		Rubber	Pin
		Module			
		ULF ULTRA LOW FRICTION POLYESTER RESIN		THERMOPLASTIC TPE Hardness: 55 Sha	POM
		PART NUMBER			
mm	inch	WITHOUT TRACKING GUIDE	WITH TRACKING GUIDE		
85	3.35	HF510ULF0085	HF510G1ULF0085		
170	6.69	HF510ULF0170	HF510G1ULF0170		
255	10.04	HF510ULF0255	HF510G1ULF0255		
340	13.39	HF510ULF0340	HF510G1ULF0340		
425	16.73	HF510ULF0425	HF510G1ULF0425		
510	20.08	HF510ULF0510	HF510G1ULF0510		
595	23.43	HF510ULF0595	HF510G1ULF0595		
680	26.77	HF510ULF0680	HF510G1ULF0680		
765	30.12	HF510ULF0765	HF510G1ULF0765		
850	33.46	HF510ULF0850	HF510G1ULF0850		
935	36.81	HF510ULF0935	HF510G1ULF0935		
1020	40.16	HF510ULF1020	HF510G1ULF1020		

Belts wider than 1020 mm (40.16") are available in 85 mm (3.35") increments.
To identify the Part Numbers, please substitute the last four digits of the PN with the desired width.
Example: for a 1105 mm wide belt (=1020+85 mm) without guide, the PN is "HF510ULF1105".
For HF 510 belts in PP material see next page.



Standard packaging:
Belt widths ≤ 170 mm (6.63") are supplied in rolls of 3,048 m (10 ft) each.
Belt widths ≥ 255 mm (10.04") and ≤ 425 mm (16.73") are supplied in rolls of 1,524 m (5 ft) each.
Belt widths ≥ 510 mm (20.08") are supplied in the length requested by the customer.

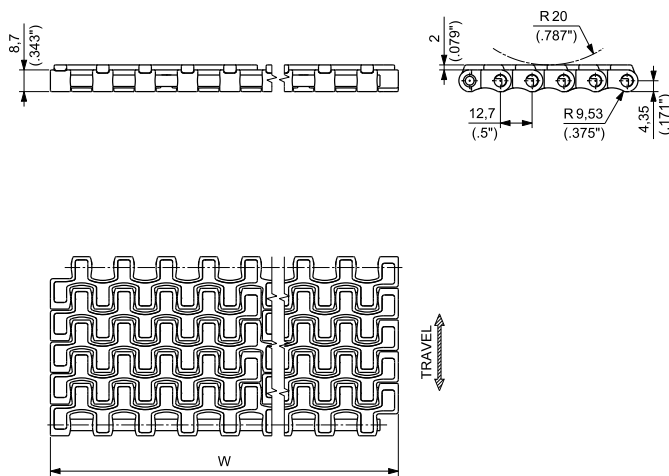
8,7 mm (0.343") THICKNESS RUBBERIZED SURFACE



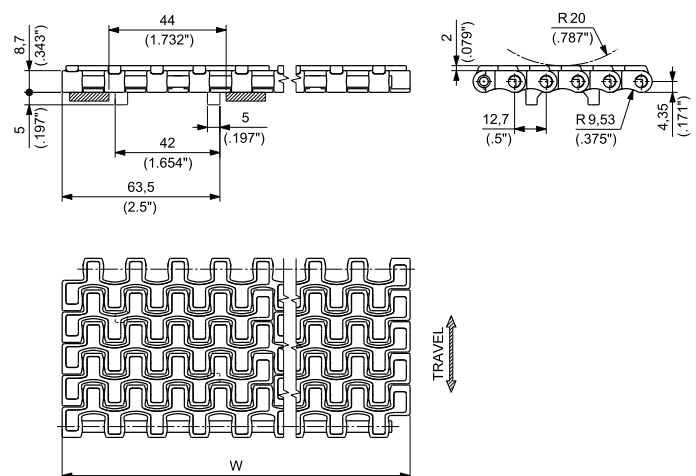
Belt designed for handling packed containers like boxes, multi packs and cases in packaging lines. It is the optimal solution for high speed stop belts, metering belts, etc. The rubberized area is maximized, both in the transversal and longitudinal direction, reducing gaps between the rubber pads.

- **Belt widths:** 85 mm (3.346") or wider in 85 mm (3.346") increments
- **Working Load (at 25°C/77°F):** 10000 N/m (685 lbs/ft) for **PP** material
- **Belt weight:** 7,47 kg/m² (1.53 lbs/ft²) for **PP** material

VERSION WITHOUT TRACKING GUIDE



VERSION WITH TRACKING GUIDE



NOTE: The belt is also available with single tracking guide at both belt sides. Please contact REGINA customer service for further information.



Materials
see page 12



Nosebar
see page 181



Sprockets
see pages 188÷192



Applications
see page 22

WIDTH W		Module SPECIAL PP POLYPROPYLENE ⁽¹⁾		Rubber	Pin
		PART NUMBER		THERMOPLASTIC TPE Hardness: 50 ShA	PBT
mm	inch	WITHOUT TRACKING GUIDE	WITH TRACKING GUIDE		
85	3.35	HF510APP0085	HF510AGPP0085		
170	6.69	HF510APP0170	HF510AG1PP0170		
255	10.04	HF510APP0255	HF510AG1PP0255		
340	13.39	HF510APP0340	HF510AG1PP0340		
425	16.73	HF510APP0425	HF510AG1PP0425		
510	20.08	HF510APP0510	HF510AG1PP0510		
595	23.43	HF510APP0595	HF510AG1PP0595		
680	26.77	HF510APP0680	HF510AG1PP0680		
765	30.12	HF510APP0765	HF510AG1PP0765		
850	33.46	HF510APP0850	HF510AG1PP0850		
935	36.81	HF510APP0935	HF510AG1PP0935		
1020	40.16	HF510APP1020	HF510AG1PP1020		

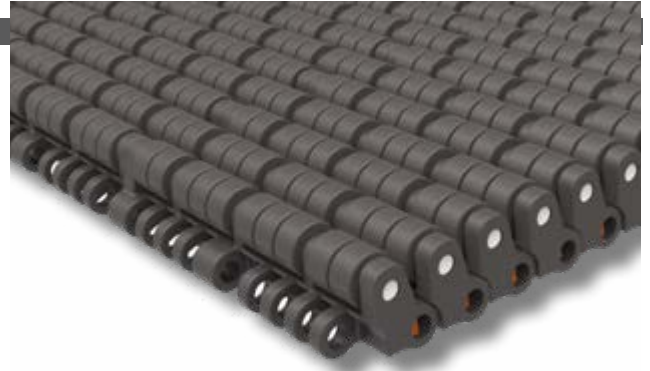
⁽¹⁾ ACTUAL WIDTH CAN BE UP TO 1% GREATER THAN NOMINAL WIDTH

Belts wider than 1020 mm (40.16") are available in 85 mm (3.35") increments.
To identify the Part Numbers, please substitute the last four digits of the PN with the desired width.
Example: for a 1105 mm wide belt (=1020+85 mm) without guide, the PN for PP material is "HF510APP1105".
For HF 510 belts in ULF material see previous page.



Standard packaging:
Belt widths ≤ 170 mm (6.63") are supplied in rolls of 3,048 m (10 ft) each.
Belt widths ≥ 255 mm (10.04") and ≤ 425 mm (16.73") are supplied in rolls of 1,524 m (5 ft) each.
Belt widths ≥ 510 mm (20.08") are supplied in the length requested by the customer.

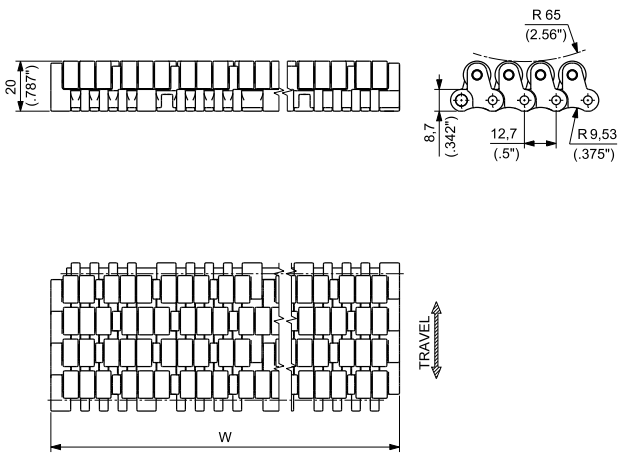
8,7 mm (0.343") THICKNESS LBP ROLLERS



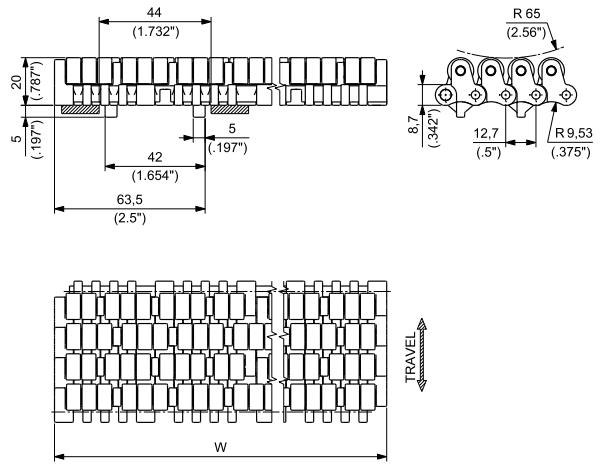
Designed for accumulating applications where efficient nose-over transfer is required. The round bottom surface, combined with the 1/2" pitch, provides the minimum chordal effect minimizing dead plates.

- **Belt widths:** 85 mm (3.346") or wider in 85 mm (3.346") increments
- **Working Load (at 25°C/77°F):** 27000 N/m (1,850 lbs/ft)
- **Belt weight:** 18,3 kg/m² (3.75 lbs/ft²)

VERSION WITHOUT TRACKING GUIDE



VERSION WITH TRACKING GUIDE



Matveyor



Materials
see page 12



Nosebar
see page 181



Sprockets
see pages 188-192



Applications
see page 22

WIDTH W		MATERIALS		
		Module and Roller		Pin
		UP	ULTRA PERFORMANCE HOMOPOLYMER DELRIN®	
		PART NUMBER		PBT
mm	inch	WITHOUT TRACKING GUIDE	WITH TRACKING GUIDE	
85	3.35	LBP610AUP0085	LBP610AGUP0085	
170	6.69	LBP610AUP0170	LBP610AG1UP0170	
255	10.04	LBP610AUP0255	LBP610AG1UP0255	
340	13.39	LBP610AUP0340	LBP610AG1UP0340	
425	16.73	LBP610AUP0425	LBP610AG1UP0425	
510	20.08	LBP610AUP0510	LBP610AG1UP0510	
595	23.43	LBP610AUP0595	LBP610AG1UP0595	
680	26.77	LBP610AUP0680	LBP610AG1UP0680	
765	30.12	LBP610AUP0765	LBP610AG1UP0765	
850	33.46	LBP610AUP0850	LBP610AG1UP0850	
935	36.81	LBP610AUP0935	LBP610AG1UP0935	
1020	40.16	LBP610AUP1020	LBP610AG1UP1020	

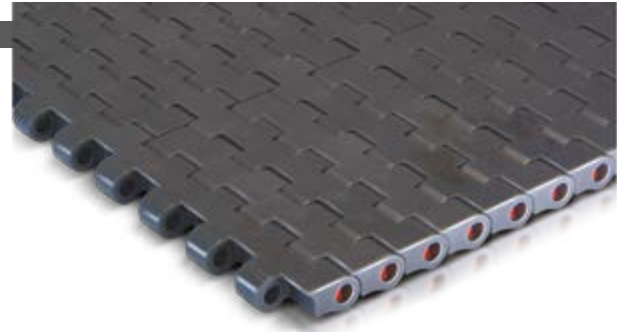
Belts wider than 1020 mm (40.16") are available in 85 mm (3.35") increments.
To identify the Part Numbers, please substitute the last four digits of the PN with the desired width.
Example: for a 1105 mm wide belt (=1020+85 mm) without guide, the PN is "LBP610AUP1105".



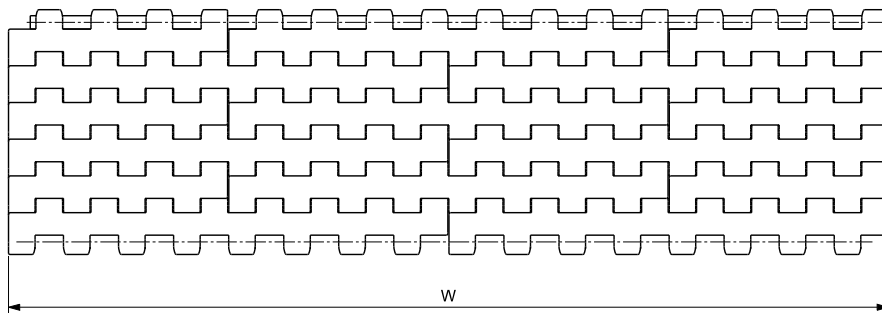
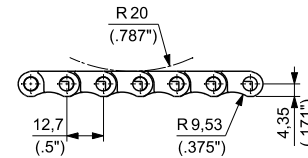
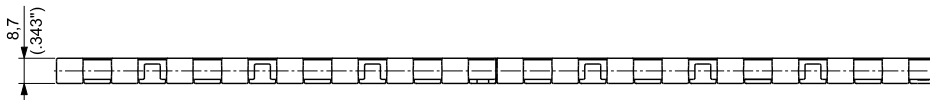
Standard packaging:
Belt widths ≤ 680 mm (26.77") are supplied in rolls of 1,524 m (5 ft) each.
Belt widths ≥ 765 mm (30.12") and ≤ 935 mm (36.81") are supplied in rolls of 1,016 m (3.33 ft) each.
Belt widths ≥ 1020 mm (40.16") are supplied in the length requested by the customer.

8,7 mm (0.343") THICKNESS SOLID TOP

The belt offers a completely closed top surface design for an excellent product support without tipping. The round bottom surface combined with the reduced pitch (1/2") transfer of products, provides the minimal chordal effect for an optimum head transfer of products.



- **Belt widths:** 114,3 mm (4 1/2"), 76,2 mm (3") or wider in 76,2 mm (3") increments
- **Working Load (at 25°C/77°F):** 14000 N/m (960 lbs/ft) for **UP**, **DK²** and **e-F.A.S.T.** materials
10000 N/m (685 lbs/ft) for **PP** materials
- **Belt weight:** 9,52 kg/m² (1.95 lbs/ft²) for **UP**, **DK²** and **e-F.A.S.T.** materials
6,55 kg/m² (1.34 lbs/ft²) for **PP** material



Materials see page 12



Nosebar see page 181



Sprockets see pages 188-192



Applications see page 22

WIDTH W		MATERIALS				Pin	
		Module					
		UP ULTRA PERFORMANCE HOMOPOLYMER DELRIN®	DK² SPECIAL DELRIN® REINFORCED WITH KEVLAR®	PP SPECIAL POLYPROPYLENE ⁽¹⁾	e-F.A.S.T. ECOLOGICAL FRICTION ABATING THERMOPLASTIC		
mm	inch	PART NUMBER	PART NUMBER	PART NUMBER	PART NUMBER	PBT for e-F.A.S.T. material POLYPROPYLENE for all other materials (PBT on request for all other materials)	
114,3	4,5	300AUPKG/000	300AD2KKG/000	300APPKG/000	300AEFKG/000		PBT
76,2	3	300BUP003	300BD2K003	300BPP003	300AEF003		PBT for e-F.A.S.T. material POLYPROPYLENE for all other materials (PBT on request for all other materials)
152,4	6	300BUP006	300BD2K006	300BPP006	300AEF006		
228,6	9	300BUP009	300BD2K009	300BPP009	300AEF009		
304,8	12	300BUP012	300BD2K012	300BPP012	300AEF012		
381,0	15	300BUP015	300BD2K015	300BPP015	300AEF015		
457,2	18	300BUP018	300BD2K018	300BPP018	300AEF018		
533,4	21	300BUP021	300BD2K021	300BPP021	300AEF021		
609,6	24	300BUP024	300BD2K024	300BPP024	300AEF024		
685,8	27	300BUP027	300BD2K027	300BPP027	300AEF027		
762,0	30	300BUP030	300BD2K030	300BPP030	300AEF030		
838,2	33	300BUP033	300BD2K033	300BPP033	300AEF033		
914,4	36	300BUP036	300BD2K036	300BPP036	300AEF036		
990,6	39	300BUP039	300BD2K039	300BPP039	300AEF039		

⁽¹⁾ ACTUAL WIDTH CAN BE UP TO 1% GREATER THAN NOMINAL WIDTH

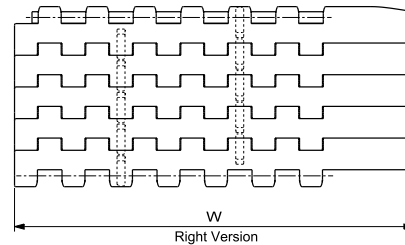
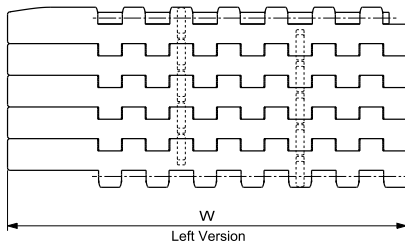
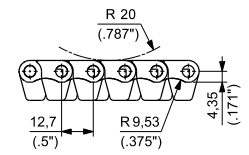
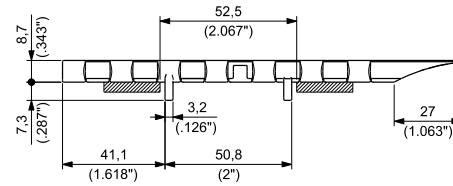
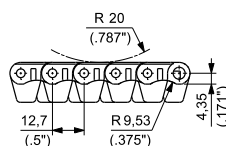
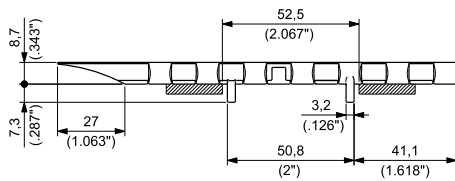
Belts wider than 990,6 mm (39") are available in 76,2 (3") increments.
To identify the Part Numbers, please substitute the last three digits of the PN with the desired width.
Example: for a 42" wide belt (=39+3 inches), the PN for UP material is "300BUP042".



Standard packaging:
114,3 mm (4.5") wide belt is supplied in rolls of 3,048 m (10ft) each.
Other belt widths are supplied in the length requested by the customer.

ACTIVE TRANSFER MODULES 8,7 mm (0.343") THICKNESS SOLID TOP

Active transfer modules 300G ATM series allow the transfer of the products between two 90° conveyor tracks without using dead plates. Left and right version in available.



Matveyor

300G ATM - Left Version



Materials see page 12



Sprockets see pages 188-192



Applications see page 22

MATERIALS		ITEM DESCRIPTION	PART NUMBER	WIDTH W		PLATE THICKNESS		WORKING LOAD (25°C/77°F)		WEIGHT	
Plate	Pin			mm	inch	mm	inch	N	lbs	kg/m	lbs/ft
ULTRA PERFORMANCE HOMOPOLYMER DELRIN® UP		300AGATM UP 450 SX	300AGATMUP450LH	160	6.30	8,7	0.343	1190	268	1,42	0.95
	PBT										
SPECIAL DELRIN® REINFORCED WITH KEVLAR® DK2		300AGATM D2K 450 SX	300AGATMD2K450LH	160	6.30	8,7	0.343	1190	268	1,42	0.95
	PBT										

300G ATM - Right Version

MATERIALS		ITEM DESCRIPTION	PART NUMBER	WIDTH W		PLATE THICKNESS		WORKING LOAD (25°C/77°F)		WEIGHT	
Plate	Pin			mm	inch	mm	inch	N	lbs	kg/m	lbs/ft
ULTRA PERFORMANCE HOMOPOLYMER DELRIN® UP		300AGATM UP 450 DX	300AGATMUP450RH	160	6.30	8,7	0.343	1190	268	1,42	0.95
	PBT										
SPECIAL DELRIN® REINFORCED WITH KEVLAR® DK2		300AGATM D2K 450 DX	300AGATMD2K450RH	160	6.30	8,7	0.343	1190	268	1,42	0.95
	PBT										



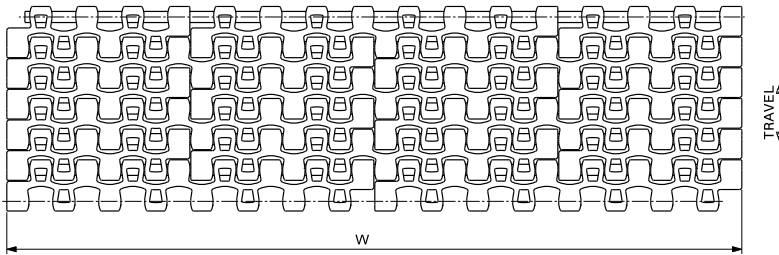
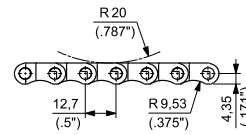
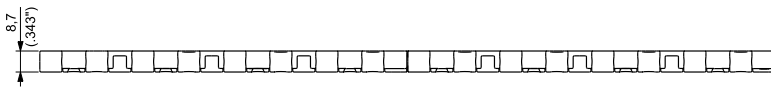
Standard packaging:
Rolls of 3,048 m (10 feet)

8,7 mm (0.343") THICKNESS FLUSH GRID

The belt offers an excellent combination of support and open area for optimal liquid and air flow-through where frequent cleaning is required.



- **Belt widths:** 76,2 mm (3") or wider in 76,2 mm (3") increments
- **Working Load (at 25°C/77°F):** 14000 N/m (960 lbs/ft) for **UP** material
10000 N/m (685 lbs/ft) for **PP** material
- **Belt weight:** 7,60 kg/m² (1.56 lbs/ft²) for **UP** material
5,44 kg/m² (1.11 lbs/ft²) for **PP** material



Materials
see page 12



Nosebar
see page 181



Sprockets
see pages 188-192



Applications
see page 22

WIDTH W	MATERIALS		
	Module		Pin
	UP ULTRA PERFORMANCE HOMOPOLYMER DELRIN®	PP SPECIAL POLYPROPYLENE ⁽¹⁾	POLYPROPYLENE (PBT on request)
PART NUMBER	PART NUMBER		
76,2 3	200BUP003	200BPP003	
152,4 6	200BUP006	200BPP006	
228,6 9	200BUP009	200BPP009	
304,8 12	200BUP012	200BPP012	
381,0 15	200BUP015	200BPP015	
457,2 18	200BUP018	200BPP018	
533,4 21	200BUP021	200BPP021	
609,6 24	200BUP024	200BPP024	
685,8 27	200BUP027	200BPP027	
762,0 30	200BUP030	200BPP030	
838,2 33	200BUP033	200BPP033	
914,4 36	200BUP036	200BPP036	
990,6 39	200BUP039	200BPP039	

⁽¹⁾ ACTUAL WIDTH CAN BE UP TO 1% GREATER THAN NOMINAL WIDTH

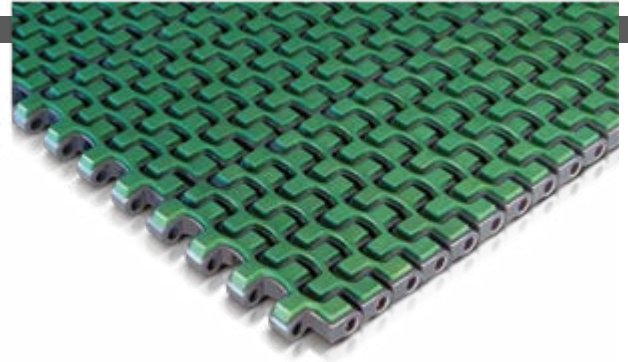
Belts wider than 990,6 mm (39") are available in 76,2 (3") increments.
To identify the Part Numbers, please substitute the last three digits of the PN with the desired width.
Example: for a 42" wide belt (=39+3 inches), the PN for UP material is "200BUP042".



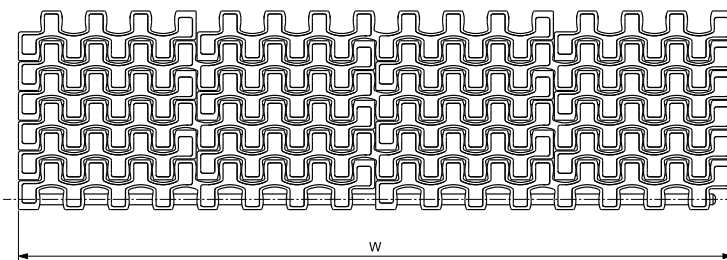
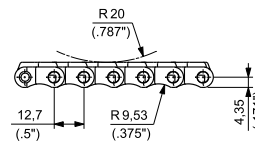
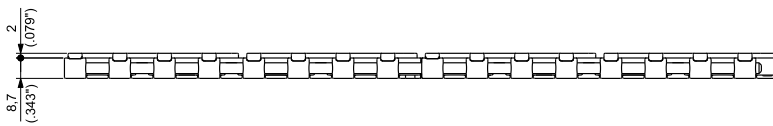
Standard packaging:
Belts are supplied in the length requested by the customer.

8,7 mm (0.343") THICKNESS RUBBERIZED SURFACE

Belt designed for handling packed containers like boxes, multi packs and cases in packaging lines. It is the optimal solution for high speed stop belts, metering belts, etc. The rubberized area is maximized, both in transversal and longitudinal direction, reducing gaps between the rubber pads.



- **Belt widths:** 76,2 mm (3") or wider in 76,2 mm (3") increments
- **Working Load (at 25°C/77°F):** 14000 N/m (960 lbs/ft) for **ULF** material
10000 N/m (685 lbs/ft) for **PP** material
- **Belt weight:** 8,86 kg/m² (1.81 lbs/ft²) for **ULF** material
7,32 kg/m² (1.50 lbs/ft²) for **PP** material



Matveyor



Materials
see page 12



Nosebar
see page 181



Sprockets
see pages 188÷192



Applications
see page 22

WIDTH W	MATERIALS				
	Module		Rubber	Pin	
	ULF ULTRA LOW FRICTION POLYESTER RESIN	PP SPECIAL POLYPROPYLENE ⁽¹⁾			
	PART NUMBER	PART NUMBER			
76,2	3	HF200ULF003	HF200APP003	THERMOPLASTIC TPE Hardness: 55 ShA for ULF material 50 ShA for PP material	POM for ULF material PBT for PP material
152,4	6	HF200ULF006	HF200APP006		
228,6	9	HF200ULF009	HF200APP009		
304,8	12	HF200ULF012	HF200APP012		
381,0	15	HF200ULF015	HF200APP015		
457,2	18	HF200ULF018	HF200APP018		
533,4	21	HF200ULF021	HF200APP021		
609,6	24	HF200ULF024	HF200APP024		
685,8	27	HF200ULF027	HF200APP027		
762,0	30	HF200ULF030	HF200APP030		
838,2	33	HF200ULF033	HF200APP033		
914,4	36	HF200ULF036	HF200APP036		
990,6	39	HF200ULF039	HF200APP039		

⁽¹⁾ ACTUAL WIDTH CAN BE UP TO 1% GREATER THAN NOMINAL WIDTH

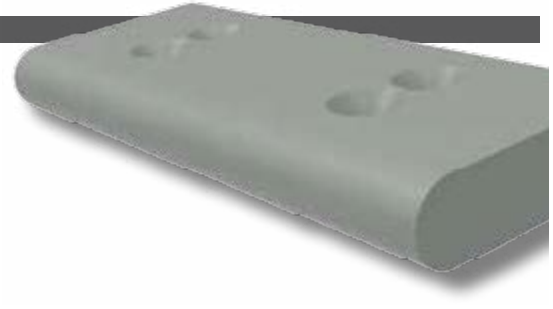
Belts wider than 990,6 mm (39") are available in 76,2 (3") increments.
To identify the Part Numbers, please substitute the last three digits of the PN with the desired width.
Example: for a 42" wide belt (=39+3 inches), the PN for ULF material is "HF200ULF042".



Standard packaging:
Belts are supplied in the length requested by the customer.

STATIC NOSEBAR FOR END-TO-END TRANSFER

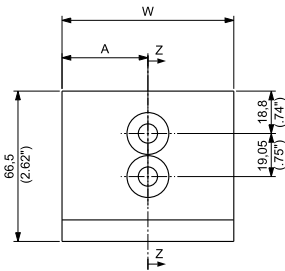
The nosebar is supplied in a machined modular design having an edge curved contour with a radius that fits exactly the 1/2" pitch belts. The design, combined with UHMWPE material improved with self-lubricating additives, ensures decreased wear of belt and nosebar and constant low friction. The nosebar is fittable to the conveyor structure with M8 flat head screws (NOT INCLUDED).



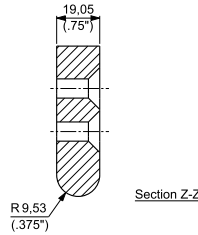
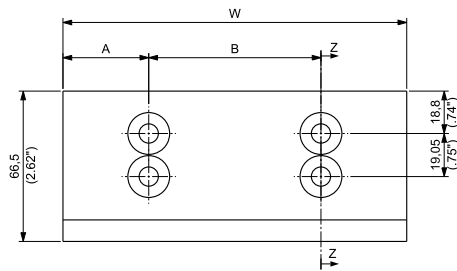
MATERIALS

Nosebar: **SUPREME-L** Self-lubricating UHMWPE

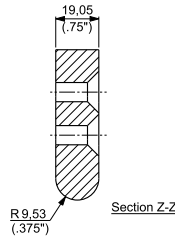
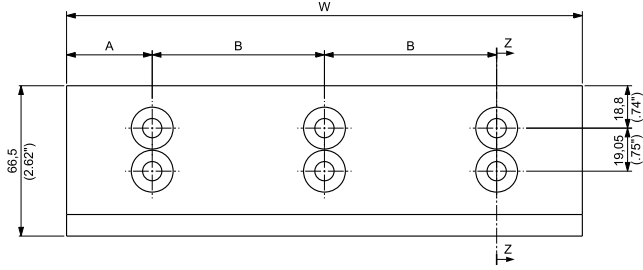
WIDTHS W: 3", 85 mm



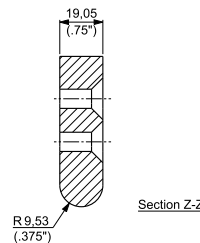
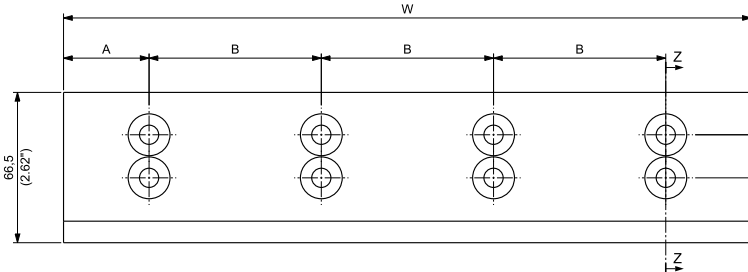
WIDTHS W: 6", 170 mm



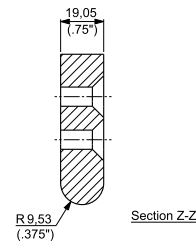
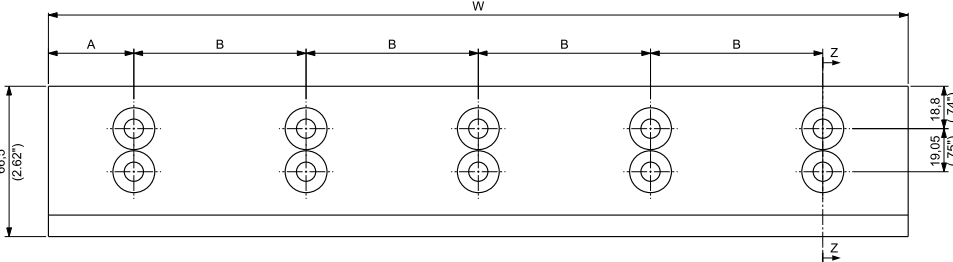
WIDTHS W: 9", 255 mm



WIDTHS W: 12", 340 mm



WIDTHS W: 15"



Materials see page 14

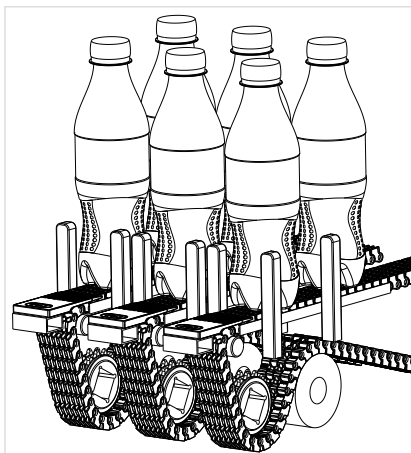
PART NUMBER	WIDTH W		A		B		WEIGHT		FOR BELTS SERIES
	mm	inch	mm	inch	mm	inch	kg	lbs	
CC000206	85,0	3.35	42,5	1.67	-	-	0,10	0.22	610 / 600
CC000207	170,0	6.69	42,5	1.67	85,0	3.35	0,19	0.42	LBP 610
CC000208	255,0	10.04	42,5	1.67	85,0	3.35	0,29	0.63	500
CC000209	340,0	13.39	42,5	1.67	85,0	3.35	0,38	0.84	HF 510
CC000201	76,2	3.00	38,1	1.50	-	-	0,09	0.19	
CC000202	152,4	6.00	38,1	1.50	76,2	3.00	0,17	0.37	300
CC000203	228,6	9.00	38,1	1.50	76,2	3.00	0,26	0.56	200
CC000204	304,8	12.00	38,1	1.50	76,2	3.00	0,34	0.75	HF 200
CC000205	381,0	15.00	38,1	1.50	76,2	3.00	0,43	0.94	

INDUSTRIES AND APPLICATIONS

611 and RR 611 series comprise conveyor chains dedicated to the product dynamic dividing area of packaging machines. In this area, individual containers (made of plastic, metal or glass) are conveyed to the pack formation area, where the containers are clustered in the required format by dividing bars, electronically synchronized with the conveyor chains.

INDUSTRIES

- Bottling and canning
- Food filling
- Container manufacturing
- Pharmaceutical
- Paper/cardboard
- Consumer goods



FEATURES

- 1/2" pitch combined with curved bottom contour provides chordal effect minimization, down to 0,15 mm with a 3/4" diameter nosebar, maximizing product stability during travel and head transfer.



- Raised rib surface with special "Z" design (RR611 series) allows the best support for the most unstable products like PET bottles with petaloid bottom.



- Clipless assembly of the modules, easing chain installation on the machines with no risk of pin disassembly in application.

- The most complete range of 1/2" pitch narrow chains available on the market, with widths that range from 29 mm to 76,2 mm, that makes possible conveying all type of containers.



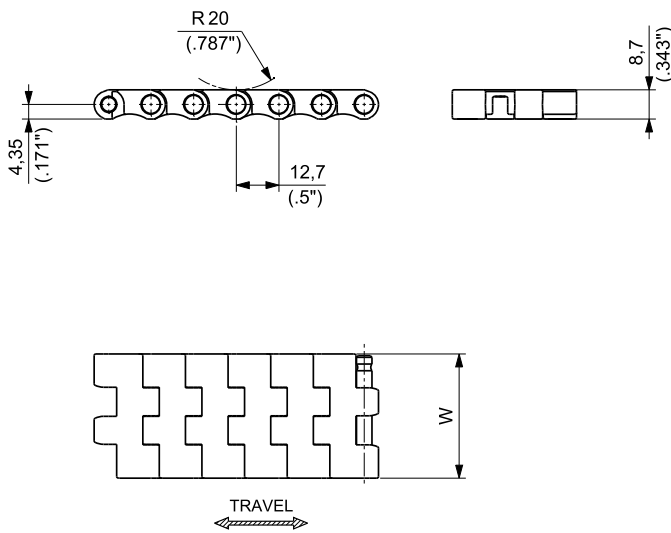
8,7 mm (0.343") THICKNESS SOLID TOP

1/2" pitch chain, combined with curved bottom contour provides chordal effect minimization, down to 0,15 mm with a 3/4" diameter nosebar, with the maximization of product stability during travel and head transfer.

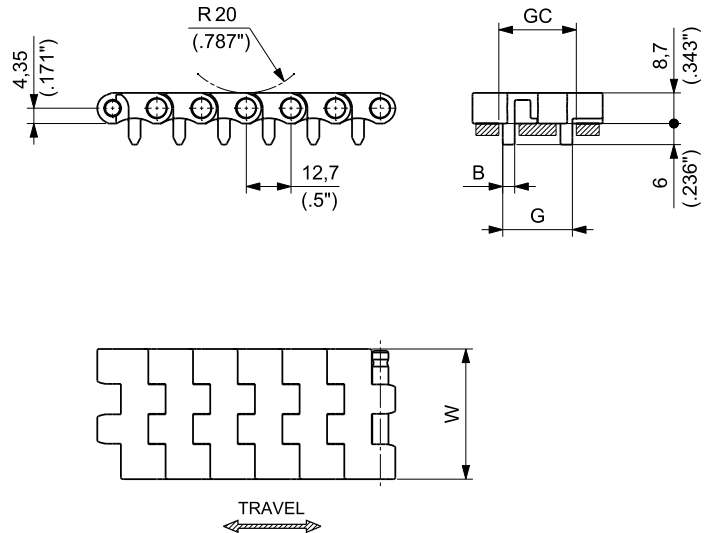
NEW



VERSION WITHOUT TRACKING GUIDE



VERSION WITH TRACKING GUIDE



Materials
see page 12



Sprockets
see pages 186-191



Applications
see page 22

MATERIALS	VERSION	ITEM DESCRIPTION	PART NUMBER	WIDTH W		GUIDE TRACK GC		INTERNAL GUIDE G		TRACKING GUIDE THICKNESS B		WORKING LOAD (25°C/77°F)		WEIGHT	
				mm	inch	mm	inch	mm	inch	mm	inch	N	lbs	kg/m	lbs/ft
ULTRA PERFORMANCE HOMOPOLYMER DELRIN® UP PBT	WITHOUT TRACKING GUIDE	611A UP K 34	611AUPKAA/000	34	1.34	-	-	-	-	-	-	570	128	0,32	0.22
		611A UP K 37	611AUPKAD/000	37	1.46	-	-	-	-	-	-	570	128	0,35	0.24
		611A UP K 51	611AUPKB/000	51	2.01	-	-	-	-	-	-	570	128	0,49	0.33
		611A UP K 76	611AUPKDA/000	76	2.99	-	-	-	-	-	-	1.067	240	0,75	0.50
	WITH TRACKING GUIDE	611AG UP K 29	611AGUPKWB/000	29	1.14	21,8	0.86	19,8	0.79	3,40	0.134	570	128	0,29	0.19
		611AG UP K 34	611AGUPKAA/000	34	1.34	21,8	0.86	19,8	0.79	3,40	0.630	570	128	0,34	0.23
		611AG UP K 37	611AGUPKAD/000	37	1.46	21,8	0.86	19,8	0.79	3,40	0.630	570	128	0,37	0.25
		611AG UP K 51	611AGUPKB/000	51	2.01	37,8	1.49	35,8	1.41	5,00	0.926	570	128	0,52	0.35
		611AG UP K 76	611AGUPKDA/000	76	2.99	45,0	1.78	43,0	1.69	5,25	0.207	1.067	240	0,77	0.52



Standard packaging:
Rolls of 3,048 m (10 feet)

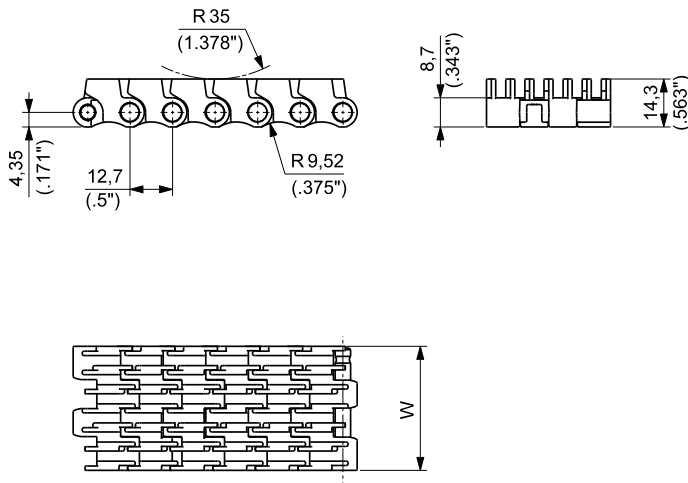
8,7 mm (0.343") THICKNESS RAISED RIB

Raised rib surface with special "Z" design guarantees the best support for the most unstable products like PET bottles with petaloid base.

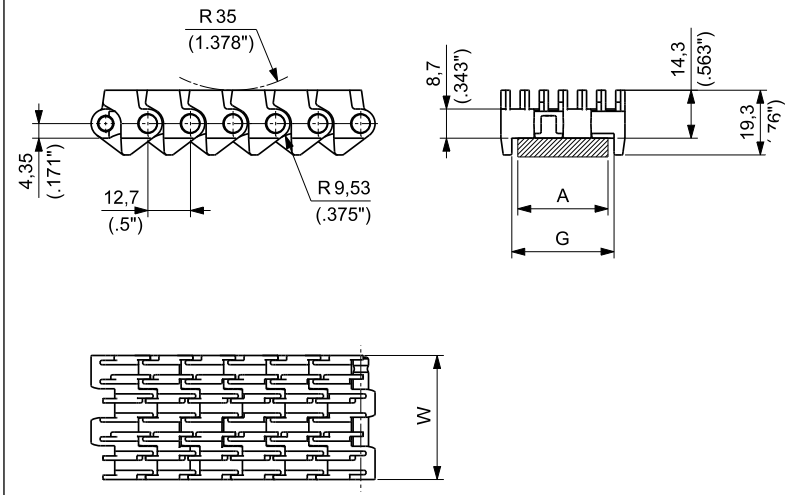
NEW



VERSION WITHOUT TRACKING GUIDE



VERSION WITH TRACKING GUIDE



Matveyor®



Materials
see page 12



Combs
see page 185



Sprockets
see pages 188÷191



Applications
see page 22

MATERIALS		VERSION	ITEM DESCRIPTION	PART NUMBER	WIDTH W		INTERNAL GUIDE G		GUIDE TRACK A		WORKING LOAD (25°C/77°F)		WEIGHT	
Plate	Pin				mm	inch	mm	inch	mm	inch	N	lbs	kg/m	lbs/ft
ULTRA PERFORMANCE HOMOPOLYMER DELRIN® PBT UP		WITHOUT TRACKING GUIDE	RR611A UP K 29	RR611AUPKWB/000	29	1.14	-	-	-	-	570	128	0,37	0.25
			RR611A UP K 37	RR611AUPKAD/000	37	1.46	-	-	-	-	570	128	0,47	0.32
			RR611A UP K 46	RR611AUPKNA/000	46	1.81	-	-	-	-	570	128	0,57	0.38
			RR611A UP K 55	RR611AUPKCB/000	55	2.17	-	-	-	-	570	128	0,69	0.46
			RR611A UP K 76	RR611AUPKDA/000	76	2.99	-	-	-	-	1067	240	0,75	0.50
			WITH TRACKING GUIDE	RR611AG UP K 37	RR611AGUPKAD/000	37	1.46	30,5	1.20	30	1.18	570	128	0,50



Standard packaging:
Rolls of 3,048 m (10 feet)

NEW



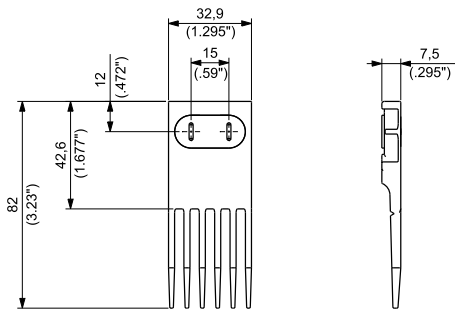
TRANSFER COMBS

Combs are supplied complete with slot covers but without fastening screws.
One M5 hexagon socket countersunk head screw (NOT INCLUDED) is required for each comb.

MATERIALS

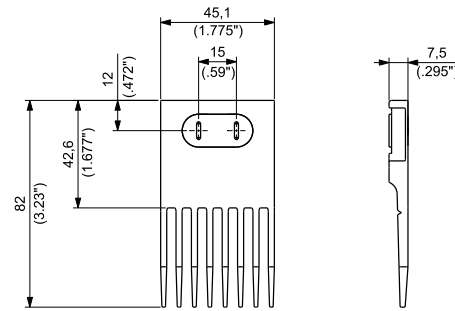
COMBS: **UP** ULTRA PERFORMANCE HOMOPOLYMER DELRIN®

COMB FOR K 29 CHAIN



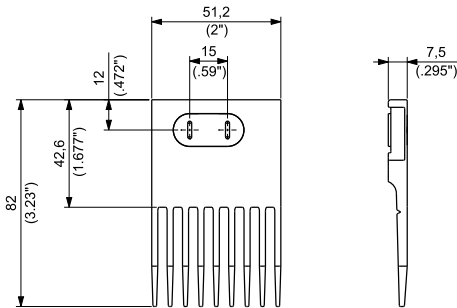
PART NUMBER **TC611-01**

COMB FOR K 37 CHAIN



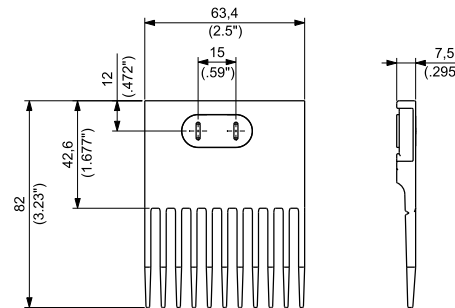
PART NUMBER **TC611-03**

COMB FOR K 46 CHAIN



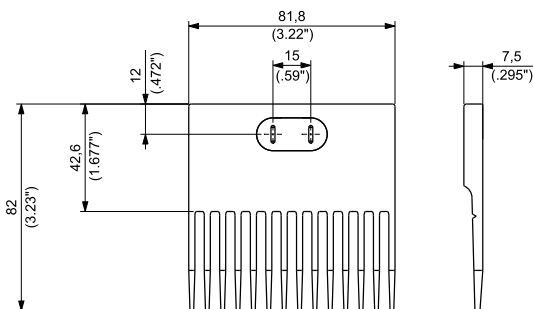
PART NUMBER **TC611-04**

COMB FOR K 55 CHAIN



PART NUMBER **TC611-06**

COMB FOR K 76 CHAIN



PART NUMBER **TC611-07**

SUITABLE FOR CHAINS:

- 611 WITH TRACKING GUIDE
(29 mm, 34 mm, 37 mm WIDTHS ONLY)

MATERIALS

SPROCKETS: **PGF** REINFORCED POLYAMIDE

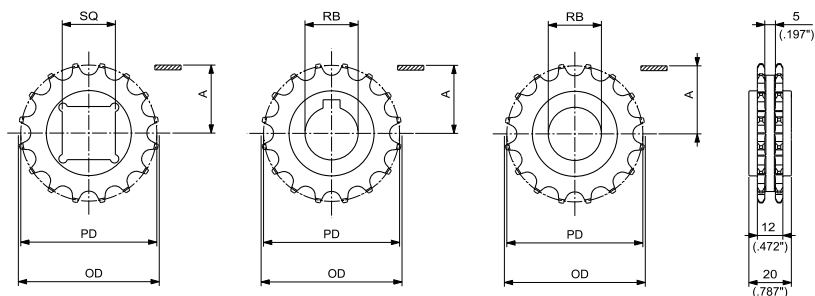
SCREWS*: **SS** STAINLESS STEEL

NUTS*: **ZN** ZINC PLATED STEEL

* For split sprockets only.



16T SPROCKET

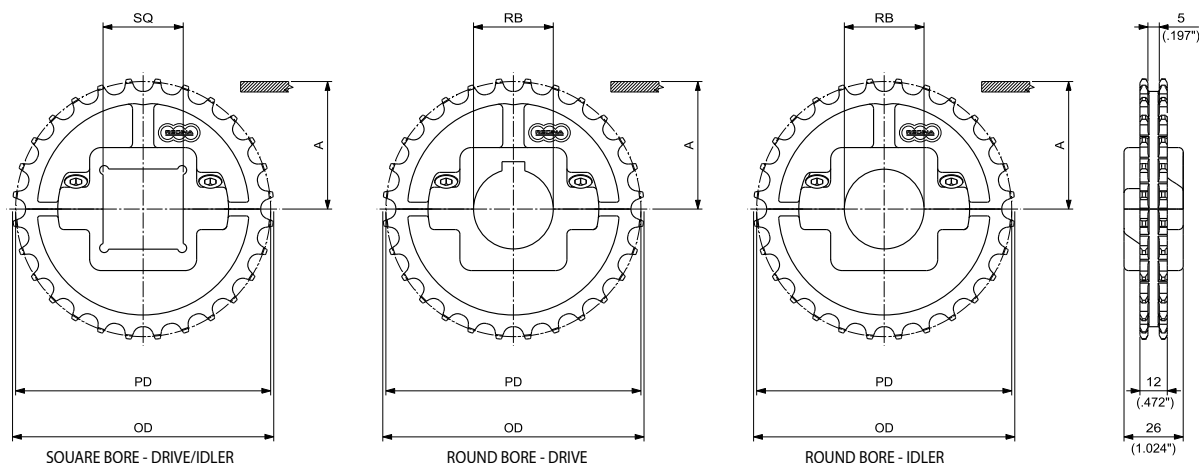


SQUARE BORE - DRIVE/IDLER

ROUND BORE - DRIVE

ROUND BORE - IDLER

28T SPROCKET



SQUARE BORE - DRIVE/IDLER

ROUND BORE - DRIVE

ROUND BORE - IDLER

MOULDED SOLID DRIVE AND IDLER SPROCKETS

N. TEETH	PITCH DIAMETER PD		OUTSIDE DIAMETER OD		WEAR STRIP POSITIONING A		BORE SIZE*		PART NUMBER			WEIGHT	
	mm	inch	mm	inch	mm	inch	mm	inch	SQUARE BORE SQ DRIVE/IDLER	ROUND BORE RB DRIVE	ROUND BORE RB IDLER	Kg	lbs
16	65,10 2.563		66,30 2.610		28,20 1.110		20		MPBT6111620	MPBF6111620	0,05	0.11	
							25		MPBQ6111625	MPBT6111625	MPBF6111625	0,04	0.09
							30		MPBT6111630	MPBF6111630	0,04	0.09	
							1		MPBT61116254	MPBF61116254	0,04	0.09	
							1¼		MPBT61116317	MPBF61116317	0,03	0.07	

MOULDED SPLIT DRIVE AND IDLER SPROCKETS

N. TEETH	PITCH DIAMETER PD		OUTSIDE DIAMETER OD		WEAR STRIP POSITIONING A		BORE SIZE*		PART NUMBER			WEIGHT	
	mm	inch	mm	inch	mm	inch	mm	inch**	SQUARE BORE SQ DRIVE/IDLER	ROUND BORE RB DRIVE	ROUND BORE RB IDLER	Kg	lbs
28	113,43 4.466		114,70 4.516		52,40 2.063		25		MPBST6112825	MPBSF6112825	0,15	0.33	
							30		MPBST6112830	MPBSF6112830	0,15	0.33	
							35		MPBST6112835	MPBSF6112835	0,14	0.31	
							40		MPBSQ6112840	MPBST6112840	MPBSF6112840	0,13	0.29
							1		MPBST61128254	MPBSF61128254	0,15	0.33	
							1¼		MPBST61128317	MPBSF61128317	0,14	0.31	
1½		MPBSQ61128381	MPBST61128381	MPBSF61128381	0,14	0.31							

*In case of round bore, diameter is indicated. In case of square bore, side of the square is indicated.

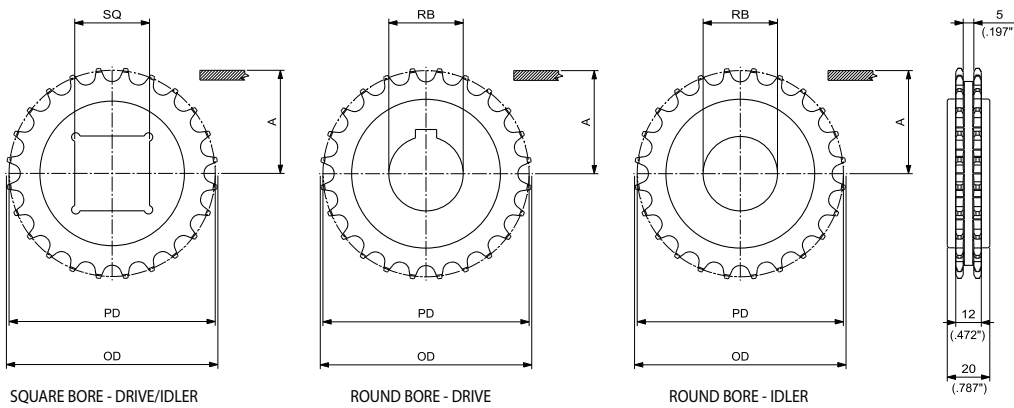
**Imperial round bore drive sprockets are supplied with setscrew. Metric round bore drive sprockets are supplied without setscrew.

SUITABLE FOR CHAINS:

- **611 WITH TRACKING GUIDE**
(29 mm, 34 mm, 37 mm WIDTHS ONLY)

MATERIALS

SPROCKETS: **PA** POLYAMIDE



MACHINED SOLID DRIVE AND IDLER SPROCKETS

N. TEETH	PITCH DIAMETER PD		OUTSIDE DIAMETER OD		WEAR STRIP POSITIONING A		BORE SIZE*		PART NUMBER			WEIGHT	
	mm	inch	mm	inch	mm	inch	mm	inch**	SQUARE BORE SQ DRIVE/IDLER	ROUND BORE RB DRIVE	ROUND BORE RB IDLER	Kg	lbs
24	97,30	3.831	99,50	3.917	44,30	1.744	25		MPBAT6112425	MPBAF6112425	0,10	0.22	
							30		MPBAT6112430	MPBAF6112430	0,09	0.20	
							35		MPBAT6112435	MPBAF6112435	0,09	0.20	
							40	MPBAQ6112440	MPBAT6112440	MPBAF6112440	0,08	0.18	
							1		MPBAT61124254	MPBAF61124254	0,10	0.22	
							1¼		MPBAT61124317	MPBAF61124317	0,10	0.22	
							1½	MPBAQ61124381	MPBAT61124381	MPBAF61124381	0,09	0.20	

*In case of round bore, diameter is indicated. In case of square bore, side of the square is indicated.

** Imperial round bore drive sprockets are supplied with setscrew. Metric round bore drive sprockets are supplied without setscrew.

SUITABLE FOR CHAINS:

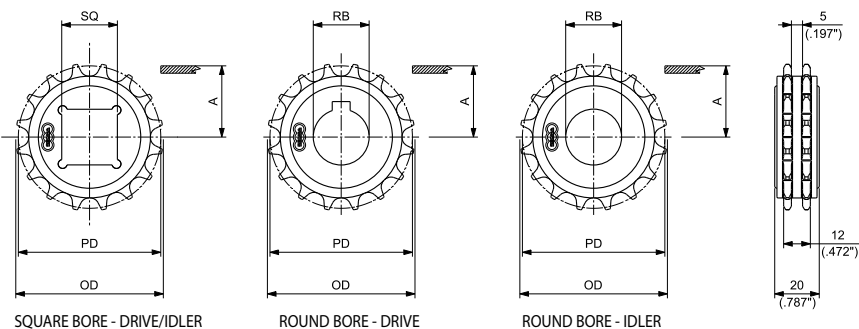
- 600 / 610 / LBP 610
- 500 / HF 510
- 300
- 200 / HF 200
- 611 WITHOUT TRACKING GUIDE (ALL WIDTHS)
- 611 WITH TRACKING GUIDE (51 mm, 76 mm WIDTHS ONLY)
- RR 611 (ALL WIDTHS)

MATERIALS

SPROCKETS: **PGF** REINFORCED POLYAMIDE



16T SPROCKET

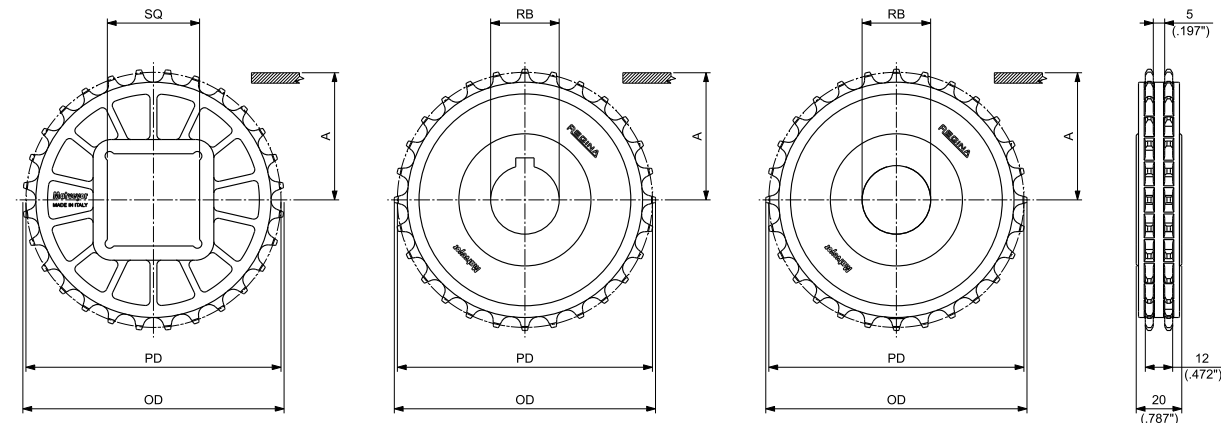


SQUARE BORE - DRIVE/IDLER

ROUND BORE - DRIVE

ROUND BORE - IDLER

28T SPROCKET



SQUARE BORE - DRIVE/IDLER

ROUND BORE - DRIVE

ROUND BORE - IDLER

MOULDED SOLID DRIVE AND IDLER SPROCKETS

N. TEETH	PITCH DIAMETER PD		OUTSIDE DIAMETER OD		WEAR STRIP POSITIONING A		BORE SIZE*		SQUARE BORE SQ DRIVE/IDLER	PART NUMBER		WEIGHT	
	mm	inch	mm	inch	mm	inch	mm	inch		DRIVE	IDLER	Kg	lbs
16	65,10	2.563	66,30	2.610	28,20	1.110	20			MPBT6001620	MPBF6001620	0,06	0.13
							25	MPBQ6001625	MPBT6001625	MPBF6001625	0,05	0.12	
							30		MPBT6001630	MPBF6001630	0,05	0.10	
							1		MPBT60016254	MPBF60016254	0,05	0.12	
							1¼		MPBT60016317	MPBF60016317	0,04	0.10	
							25		MPBT6002825	MPBF6002825	0,15	0.32	
28	113,43	4.466	114,70	4.516	52,40	2.063	30			MPBT6002830	MPBF6002830	0,14	0.31
							35		MPBT6002835	MPBF6002835	0,13	0.29	
							40	MPBQ6002840	MPBT6002840	MPBF6002840	0,12	0.27	
							60	MPBQ6002860			0,10	0.23	
							1		MPBT60028254	MPBF60028254	0,15	0.32	
							1¼		MPBT60028317	MPBF60028317	0,14	0.30	
							1½	MPBQ60028381	MPBT60028381	MPBF60028381	0,13	0.28	

*In case of round bore, diameter is indicated. In case of square bore, side of the square is indicated.

SUITABLE FOR CHAINS:

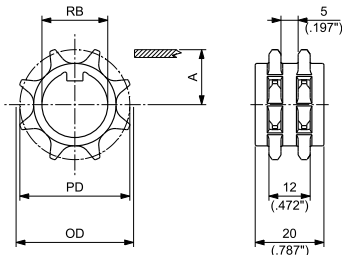
- 600 / 610 / LBP 610
- 500 / HF 510
- 300
- 200 / HF 200
- 611 WITHOUT TRACKING GUIDE (ALL WIDTHS)
- 611 WITH TRACKING GUIDE (51 mm, 76 mm WIDTHS ONLY)
- RR 611 (ALL WIDTHS)

MATERIALS

SPROCKETS: **PA** POLYAMIDE

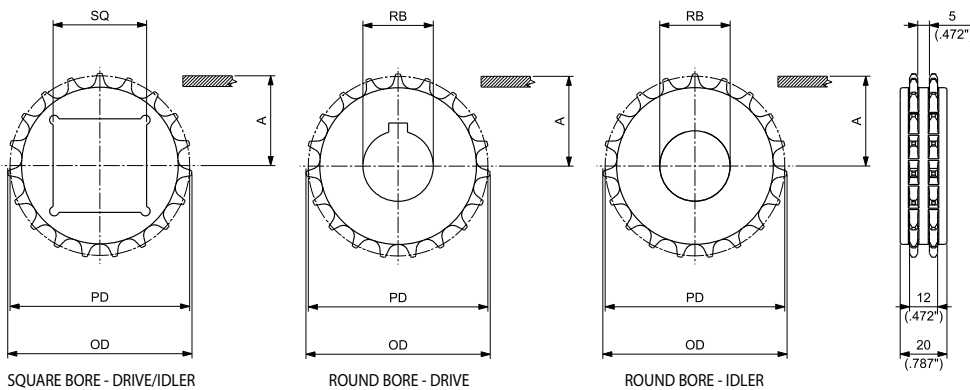


8T SPROCKET



NOTE: CANNOT WORK WITH 600 AND 500 SERIES

14T - 19T SPROCKET



MACHINED SOLID DRIVE AND IDLER SPROCKETS

N. TEETH	PITCH DIAMETER PD		OUTSIDE DIAMETER OD		WEAR STRIP POSITIONING A		BORE SIZE*	PART NUMBER			WEIGHT	
	mm	inch	mm	inch	mm	inch		SQ BORE SQ DRIVE/IDLER	ROUND BORE DRIVE	ROUND BORE IDLER	Kg	lbs
NEW 8 ⁽¹⁾	33,19	1.307	34,20	1.346	12,25	0.482	20		MPBAT6000820	MPBAF6000820	0,01	0,01
									MPBAT60008190	MPBAF60008190	0,01	0,01
NEW 14	57,07	2.247	59,00	2.323	24,18	0.952	25	MPBAQ6001425	MPBAT6001425	MPBAF6001425	0,03	0,06
									MPBAT60014254	MPBAF60014254	0,03	0,06
									MPBAT6001925	MPBAF6001925	0,07	0,16
									MPBAT6001930	MPBAF6001930	0,07	0,15
									MPBAT6001935	MPBAF6001935	0,06	0,13
									MPBAQ6001940	MPBAT6001940	MPBAF6001940	0,05
19	77,15	3.037	78,80	3.102	34,20	1.346	40		MPBAT60019254	MPBAF60019254	0,07	0,16
									MPBAT60019317	MPBAF60019317	0,07	0,14
									MPBAQ60019381		0,05	0,11

*In case of round bore, diameter is indicated. In case of square bore, side of the square is indicated.

** Imperial round bore drive sprockets are supplied with setscrew (except for 8T sprocket). Metric round bore drive sprockets are supplied without setscrew.

(1) Cannot work with 600 and 500 series.

SUITABLE FOR CHAINS:

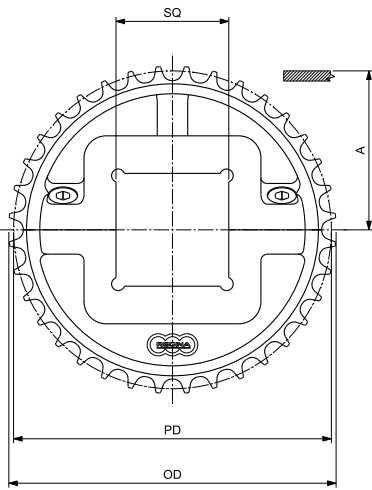
- 600 / 610 / LBP 610
- 500 / HF 510
- 300
- 200 / HF 200
- 611 WITHOUT TRACKING GUIDE (ALL WIDTHS)
- 611 WITH TRACKING GUIDE (51 mm, 76 mm WIDTHS ONLY)
- RR 611 (ALL WIDTHS)

MATERIALS

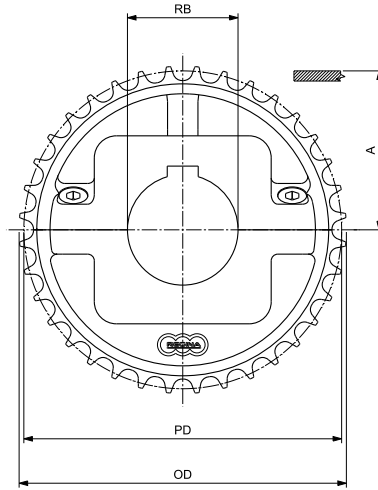
SPROCKETS: **PGF** REINFORCED POLYAMIDE

SCREWS: **SS** STAINLESS STEEL

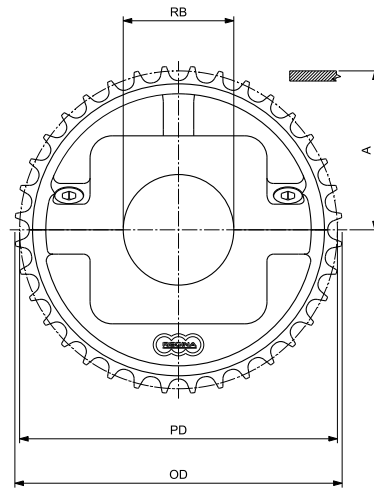
NUTS: **ZN** ZINC PLATED STEEL



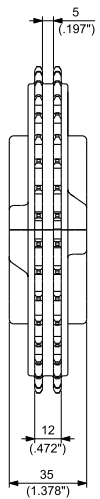
SQUARE BORE - DRIVE/IDLER



ROUND BORE - DRIVE



ROUND BORE - IDLER



NOTE: FOR 28T SPROCKET, THE HUB WIDTH IS 26 mm (1.024")

MOULDED SPLIT DRIVE AND IDLER SPROCKETS

N. TEETH	PITCH DIAMETER PD		OUTSIDE DIAMETER OD		WEAR STRIP POSITIONING A		BORE SIZE* mm inch**	PART NUMBER			WEIGHT	
	mm	inch	mm	inch	mm	inch		SQUARE BORE SQ DRIVE/IDLER	ROUND BORE RB DRIVE	ROUND BORE RB IDLER	Kg	lbs
28	113,43	4.466	114,69	4.515	52,40	2.063			MPBST6002825	MPBSF6002825	0,16	0.35
									MPBST6002830	MPBSF6002830	0,16	0.34
									MPBST6002835	MPBSF6002835	0,15	0.33
									MPBST6002840	MPBSF6002840	0,14	0.32
							1		MPBST60028254	MPBSF60028254	0,16	0.35
							1¼		MPBST60028317	MPBSF60028317	0,15	0.34
							1½		MPBSQ60028381	MPBST60028381	MPBSF60028381	0,15
36	145,69	5.736	148,00	5.827	68,50	2.697			MPBST6003630	MPBSF6003630	0,38	0.83
									MPBST6003635	MPBSF6003635	0,37	0.82
									MPBST6003640	MPBSF6003640	0,36	0.80
									MPBST6003645	MPBSF6003645	0,35	0.78
									MPBST6003650	MPBSF6003650	0,34	0.75
							1		MPBST60036254	MPBSF60036254	0,38	0.85
							1⅓		MPBST60036301	MPBSF60036301	0,38	0.83
							1¼		MPBST60036317	MPBSF60036317	0,38	0.83
							1⅞		MPBST60036365	MPBSF60036365	0,37	0.81
							1½		MPBSQ60036381	MPBST60036381	MPBSF60036381	0,37
38	153,8	6.055	156,00	6.142	72,55	2.856			MPBST6003830	MPBSF6003830	0,39	0.86
									MPBST6003835	MPBSF6003835	0,38	0.84
									MPBST6003840	MPBSF6003840	0,37	0.83
									MPBST6003845	MPBSF6003845	0,36	0.80
									MPBST6003850	MPBSF6003850	0,35	0.78
							1		MPBST60038254	MPBSF60038254	0,40	0.87
							1⅓		MPBST60038301	MPBSF60038301	0,39	0.86
							1¼		MPBST60038317	MPBSF60038317	0,39	0.86
							1⅞		MPBST60038365	MPBSF60038365	0,38	0.84
							1½		MPBSQ60038381	MPBST60038381	MPBSF60038381	0,38

*In case of round bore, diameter is indicated. In case of square bore, side of the square is indicated.

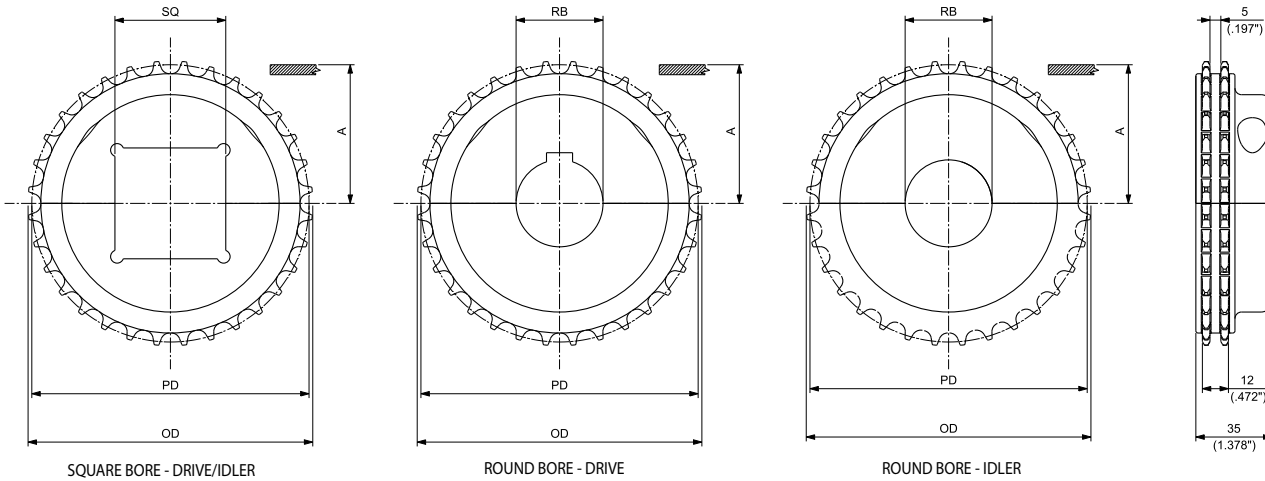
** Imperial round bore drive sprockets are supplied with setscrew. Metric round bore drive sprockets are supplied without setscrew.

SUITABLE FOR CHAINS:

- 600 / 610 / LBP 610
- 500 / HF 510
- 300
- 200 / HF 200
- 611 WITHOUT TRACKING GUIDE (ALL WIDTHS)
- 611 WITH TRACKING GUIDE (51 mm, 76 mm WIDTHS ONLY)
- RR 611 (ALL WIDTHS)

MATERIALS

SPROCKETS:	PA	POLYAMIDE
SCREWS:	SS	STAINLESS STEEL
NUTS:	B	BRASS



MACHINED SPLIT DRIVE AND IDLER SPROCKETS

N. TEETH	PITCH DIAMETER PD		OUTSIDE DIAMETER OD		WEAR STRIP POSITIONING A		BORE SIZE*		PART NUMBER		WEIGHT		
	mm	inch	mm	inch	mm	inch	mm	inch**	SQUARE BORE SQ DRIVE/IDLER	ROUND BORE RB DRIVE	ROUND BORE RB IDLER	Kg	lbs
32	129,57	5.101	131,00	5.157	60,44	2.379				MPBAST6003225	MPBASF6003225	0,41	0.90
										MPBAST6003230	MPBASF6003230	0,40	0.88
										MPBAST6003235	MPBASF6003235	0,39	0.85
									MPBASQ6003240	MPBAST6003240	MPBASF6003240	0,38	0.83
										MPBAST6003245	MPBASF6003245	0,36	0.80
									MPBASQ6003250	MPBAST6003250	MPBASF6003250	0,35	0.77
									1	MPBAST60032254	MPBASF60032254	0,41	0.90
									1 ³ / ₁₆	MPBAST60032301	MPBASF60032301	0,40	0.88
									1 ¹ / ₄	MPBAST60032317	MPBASF60032317	0,39	0.87
									1 ⁷ / ₁₆	MPBAST60032365	MPBASF60032365	0,38	0.85
1 ¹ / ₂	MPBAST60032381	MPBASF60032381	0,38	0.84									

*In case of round bore, diameter is indicated. In case of square bore, side of the square is indicated.

** Imperial round bore drive sprockets are supplied with setscrew. Metric round bore drive sprockets are supplied without setscrew.

SUITABLE FOR CHAINS:

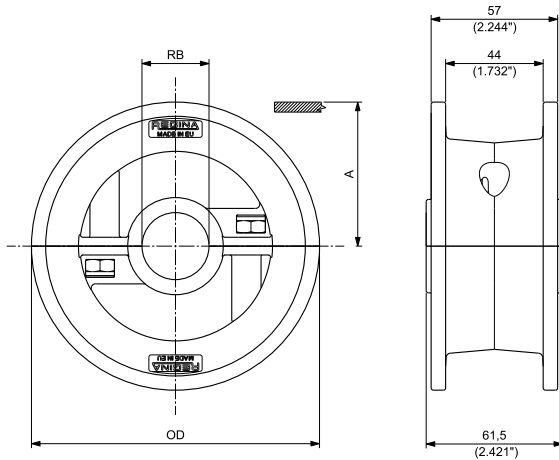
- 500 / 600 / 610 / LBP 610 / HF 510
300 / 200 / HF 200
- 1500 / 1600 / RR 1500 /
HF 1600 / HFS 1600
- 7300 / 7200
- USPM / USP / HF USPM /
HFS USPM / LBP USPM / LBP XSPM
- 782M / 783M / 793M

MATERIALS

SPROCKETS: **PGF** REINFORCED POLYAMIDE

SCREWS: **SS** STAINLESS STEEL

NUTS: **ZN** ZINC PLATED STEEL



MOULDED SOLID IDLER WHEELS
SEE PAGE 123



MACHINED SPLIT IDLER WHEELS
SEE PAGE 125

MOULDED SPLIT IDLER WHEELS

N. TEETH	OUTSIDE DIAMETER OD		WEAR STRIP POSITIONING A		BORE SIZE*		PART NUMBER ROUND BORE RB IDLER	WEIGHT	
	mm	inch	mm	inch	mm	inch		Kg	lbs
21	129,80	5.110	64,90	2.555	25		CMTS048152125	0,33	0.72
					30		CMTS048152130	0,33	0.73
					35		CMTS048152135	0,31	0.68
					40		CMTS048152140	0,34	0.76
					45		CMTS048152145	0,31	0.69
					1		CMTS0481521254	0,33	0.72
					1¼		CMTS0481521317	0,33	0.71
23	142,30	5.602	71,15	2.801	25		CMTS048152325	0,36	0.80
					30		CMTS048152330	0,37	0.81
					35		CMTS048152335	0,35	0.76
					40		CMTS048152340	0,38	0.84
					45		CMTS048152345	0,35	0.77
					1		CMTS0481523254	0,36	0.80
					1¼		CMTS0481523317	0,36	0.79
25	154,70	6.091	77,35	3.045	25		CMTS048152525	0,40	0.89
					30		CMTS048152530	0,41	0.90
					35		CMTS048152535	0,39	0.85
					40		CMTS048152540	0,42	0.92
					45		CMTS048152545	0,39	0.86
					1		CMTS0481525254	0,40	0.89
					1¼		CMTS0481525317	0,40	0.88

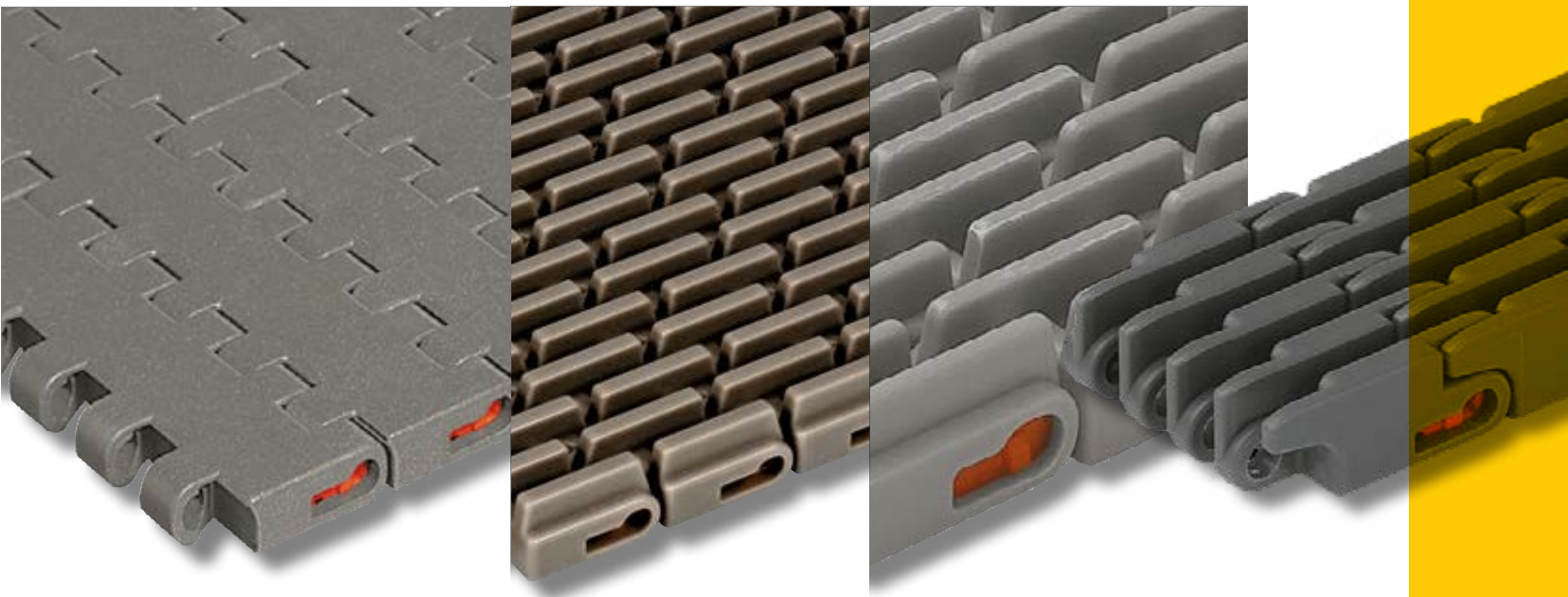
*Diameter is indicated.



PERFORMANCE IN MOTION

Matveyor[®]

1" Pitch Light Duty Belts and Chains



INDUSTRIES AND APPLICATIONS

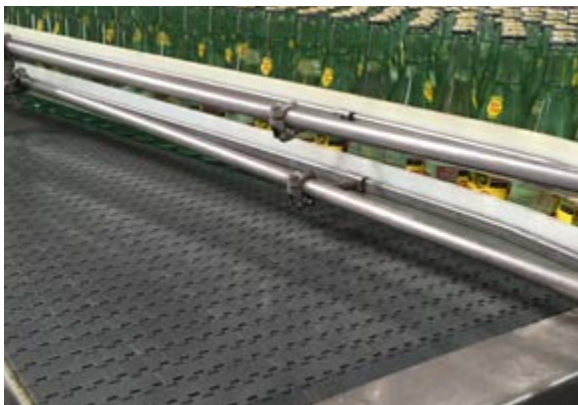
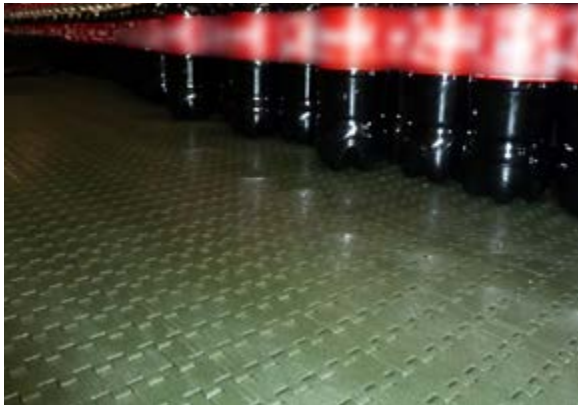
Suitable for handling both loose & packaged products, such as plastic & glass bottles and aluminium & steel cans, in light duty applications

INDUSTRIES

Bottling and canning
 Food filling
 Container manufacturing
 Pharmaceutical
 Paper/cardboard
 Consumer goods

APPLICATIONS

Depalletizer
 Pressureless Inliners and Combiners
 Single lane & mass conveyors
 Accumulation tables
 Infeed packaging machines
 Palletizers



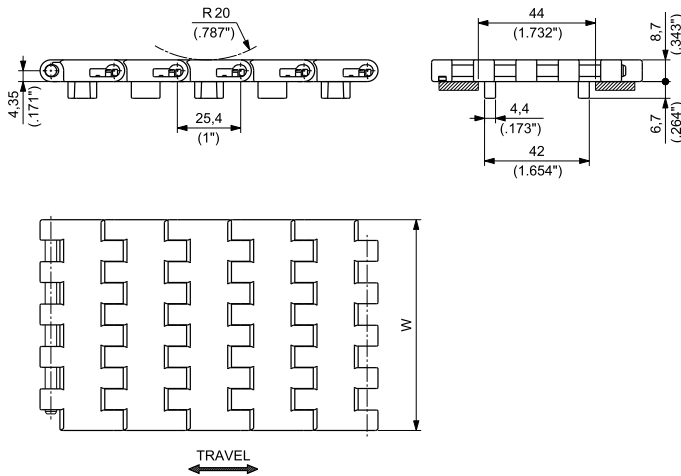
FEATURES

- Clip integrated with the module on the belt bottom results in an easy belt assembly and disassembly and in a uniform top surface.
- Round design edge and gap minimization between hinges allow a superior product handling in linear and side transfer of the products
- Optimized bottom sliding surface to guarantee wider contact with the wear strips and higher transversal stiffness:
 - Less specific pressure between belt and wear strips
 - Less wear
 - Superior flatness
- Rubberized belts available (HF 1600 series) featuring maximum and uniform rubberized area allowing outstanding gripping capabilities on the conveyed products.
- Solid top and flush grid belts can be used on conveyors side by side with Magnetic or TAB sideflexing chains 783 or 782 series allowing a smooth products transfer between straight running and sideflexing conveyors.
- Availability of a wide range of raised rib dedicated chains RR 1600 series suitable for the product dynamic dividing area of packaging machines.



8,7 mm (0.343") THICKNESS SOLID TOP

Extremely good flatness, manufacturing accuracy and low coefficient of friction make the side transfer of the product very easy.
Completely closed surface, no gap between the modules, even when engaging on the sprockets.
Particularly suitable for glass products, small sized products and unstable contents (for example PET bottles with petaloid base).



Materials
see page 12



Sprockets
see pages 212=218



Applications
see page 22

MATERIALS		ITEM DESCRIPTION	PART NUMBER	WIDTH W		PLATE THICKNESS		WORKING LOAD (25°C/77°F)		WEIGHT	
Plate	Pin			mm	inch	mm	inch	N	lbs	kg/m	lbs/ft
ULTRA PERFORMANCE HOMOPOLYMER DELRIN® UP		1600AG UP K 83,8	1600AGUPKRA/000	83,8	3.30	8,7	0.343	1850	416	0,75	0.50
SPECIAL DELRIN® REINFORCED WITH KEVLAR® DK2	PBT	1600AG D2K K 83,8	1600AGD2KKRA/000	83,8	3.30	8,7	0.343	1850	416	0,75	0.50
NEW ECOLOGICAL FRICTION ABATING THERMOPLASTIC e-FAST		1600AG EF K 83,8	1600AGEFKRA/000	83,8	3.30	8,7	0.343	1850	416	0,75	0.50

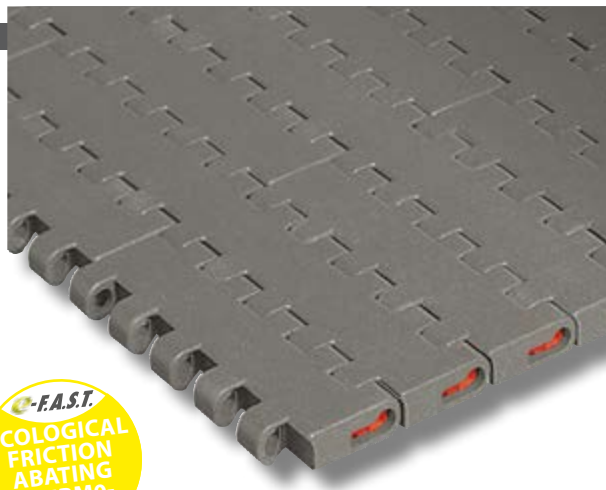


Standard packaging:
Rolls of 3,048 m (10 feet)

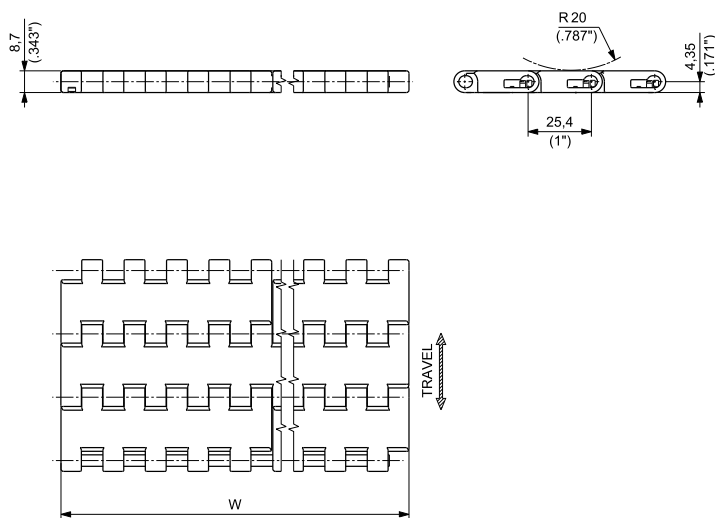
8,7 mm (0.343") THICKNESS SOLID TOP

This belt offers a smooth surface to provide excellent support and minimize product tippage. Particularily suitable for glass products, small sized products and unstable containers (for example PET bottles with petaloid base).

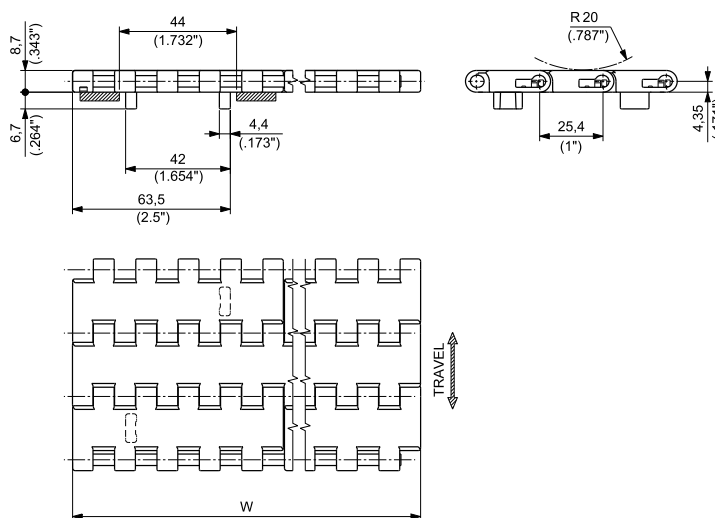
- **Belt widths:** 85 mm (3.346") or wider in 85 mm (3.346") increments
- **Working Load (at 25°C/77°F):** 21600 N/m (1,480 lbs/ft) for **UP**, **DK2** and **e-F.A.S.T.** materials
- **Belt weight:** 7,66 kg/m² (1.57 lbs/ft²) for **UP**, **DK2** and **e-F.A.S.T.** materials



VERSION WITHOUT TRACKING GUIDE



VERSION WITH TRACKING GUIDE



NOTE: The belt is also available with single tracking guide at both belt sides. Please contact REGINA customer service for further information.



Materials
see page 12



Sprockets
see pages 212÷218



Applications
see page 22

WIDTH W		MATERIALS						Pin
		Module						
		UP ULTRA PERFORMANCE HOMOPOLYMER DELRIN®		DK2 SPECIAL DELRIN® REINFORCED WITH KEVLAR®		NEW e-F.A.S.T. ECOLOGICAL FRICTION ABATING THERMOPLASTIC		
PART NUMBER		PART NUMBER		PART NUMBER				
mm	inch	WITHOUT TRACKING GUIDE	WITH TRACKING GUIDE	WITHOUT TRACKING GUIDE	WITH TRACKING GUIDE	WITHOUT TRACKING GUIDE	WITH TRACKING GUIDE	
85	3.35	1600AUP0085	1600AGUP0085	1600AD2K0085	1600AGD2K0085	1600AEF0085	1600AGEF0085	PBT
170	6.69	1600BUP0170	1600BG1UP0170	1600BD2K0170	1600BG1D2K0170	1600AEF0170	1600AG1EF0170	PBT for e-F.A.S.T. material POLYPROPYLENE for all other materials (PBT on request for all other materials)
255	10.04	1600BUP0255	1600BG1UP0255	1600BD2K0255	1600BG1D2K0255	1600AEF0255	1600AG1EF0255	
340	13.39	1600BUP0340	1600BG1UP0340	1600BD2K0340	1600BG1D2K0340	1600AEF0340	1600AG1EF0340	
425	16.73	1600BUP0425	1600BG1UP0425	1600BD2K0425	1600BG1D2K0425	1600AEF0425	1600AG1EF0425	
510	20.08	1600BUP0510	1600BG1UP0510	1600BD2K0510	1600BG1D2K0510	1600AEF0510	1600AG1EF0510	
595	23.43	1600BUP0595	1600BG1UP0595	1600BD2K0595	1600BG1D2K0595	1600AEF0595	1600AG1EF0595	
680	26.77	1600BUP0680	1600BG1UP0680	1600BD2K0680	1600BG1D2K0680	1600AEF0680	1600AG1EF0680	
765	30.12	1600BUP0765	1600BG1UP0765	1600BD2K0765	1600BG1D2K0765	1600AEF0765	1600AG1EF0765	
850	33.46	1600BUP0850	1600BG1UP0850	1600BD2K0850	1600BG1D2K0850	1600AEF0850	1600AG1EF0850	
935	36.81	1600BUP0935	1600BG1UP0935	1600BD2K0935	1600BG1D2K0935	1600AEF0935	1600AG1EF0935	
1020	40.16	1600BUP1020	1600BG1UP1020	1600BD2K1020	1600BG1D2K1020	1600AEF1020	1600AG1EF1020	

Belts wider than 1020 mm (40.16") are available in 85 mm (3.35") increments.

To identify the Part Numbers, please substitute the last four digits of the PN with the desired width.

Example: for a 1105 mm wide belt (=1020+85 mm) without guide, the PN for UP material is "1600BUP1105".



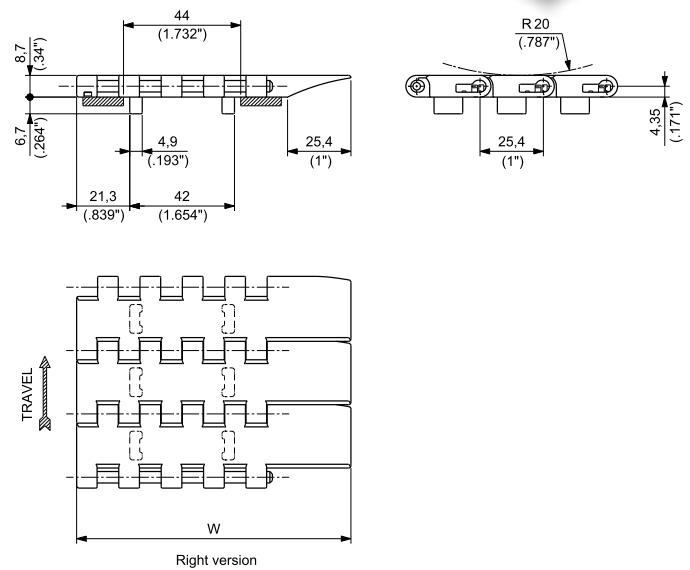
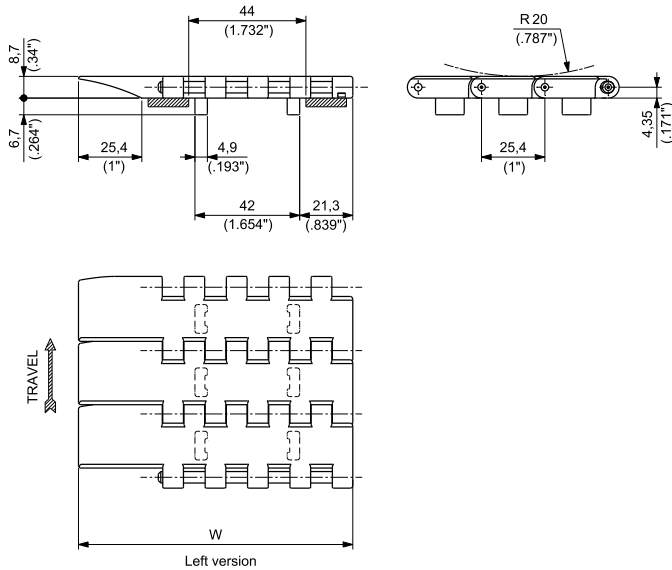
Standard packaging:

Belt widths ≤ 680 mm (26.77") are supplied in rolls of 3,048 m (10 ft) each.

Belt widths ≥ 765 mm (30.12") are supplied in the length requested by the customer.

8,7 mm (0.343") THICKNESS SOLID TOP

1600G ATM can be used in combination with 1600 modular belts.
Active transfer modules 1600G ATM allow the transfer of products between two 90° conveyor tracks without using dead plates.
The special wing shaped module profile supports the products dynamically during transfer on the take-away belts.
Available in left and right version.



Materials see page 12



Sprockets see pages 212=218



Applications see page 22

1600G ATM - Left Version

MATERIALS		ITEM DESCRIPTION	PART NUMBER	WIDTH W		PLATE THICKNESS		WORKING LOAD (25°C/77°F)		WEIGHT	
Plate	Pin			mm	inch	mm	inch	N	lbs	kg/m	lbs/ft
ULTRA PERFORMANCE HOMOPOLYMER DELRIN® UP	POLYPROPYLENE	1600BGATM UP 0085 SX	1600BGATMUP085S	110	4.33	8,7	0.343	1840	414	0,85	0.57
		1600BGATM D2K 0085 SX	1600BGATMD2K085S	110	4.33	8,7	0.343	1840	414	0,85	0.57
ECOLOGICAL FRICTION ABATING THERMOPLASTIC e-FAST.	PBT	1600AGATM EF 0085 SX	1600AGATMEF085S	110	4.33	8,7	0.343	1840	414	0,85	0.57

1600G ATM - Right Version

MATERIALS		ITEM DESCRIPTION	PART NUMBER	WIDTH W		PLATE THICKNESS		WORKING LOAD (25°C/77°F)		WEIGHT	
Plate	Pin			mm	inch	mm	inch	N	lbs	kg/m	lbs/ft
ULTRA PERFORMANCE HOMOPOLYMER DELRIN® UP	POLYPROPYLENE	1600BGATM UP 0085 DX	1600BGATMUP085D	110	4.33	8,7	0.343	1840	414	0,85	0.57
		1600BGATM UP 0170 DX	1600BGATMUP170D	195	7.68	8,7	0.343	3670	825	1,51	1.01
SPECIAL DELRIN® REINFORCED WITH KEVLAR® DK2		1600BGATM D2K 0085 DX	1600BGATMD2K085D	110	4.33	8,7	0.343	1840	414	0,85	0.57
		1600BGATM D2K 0170 DX	1600BGATMD2K170D	195	7.68	8,7	0.343	3670	825	1,51	1.01
ECOLOGICAL FRICTION ABATING THERMOPLASTIC e-FAST.	PBT	1600AGATM EF 0085 DX	1600AGATMEF085D	110	4.33	8,7	0.343	1840	414	0,85	0.57
		1600AGATM EF 0170 DX	1600AGATMEF170D	195	7.68	8,7	0.343	3670	825	1,51	1.01



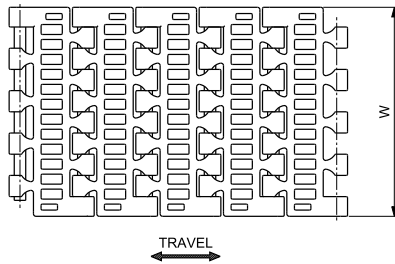
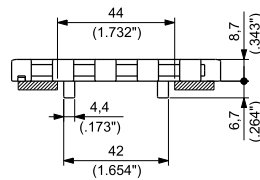
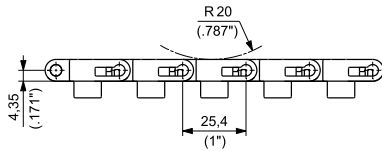
Standard packaging:
Rolls of 3,048 m (10 feet)

8,7 mm (0.343") THICKNESS FLUSH GRID

NEW



Extremely good flatness, manufacturing accuracy and low coefficient of friction make the side transfer of the product very easy.
Excellent combination of open and support areas to allow drainage of liquids and good support of the conveyed product.
Particularly suitable for aluminium cans conveying.



Matveyor®



Materials
see page 12



Sprockets
see pages 212+218



Applications
see page 22

MATERIALS		ITEM DESCRIPTION	PART NUMBER	WIDTH W		PLATE THICKNESS		WORKING LOAD (25°C/77°F)		WEIGHT	
Plate	Pin			mm	inch	mm	inch	N	lbs	kg/m	lbs/ft
ULTRA PERFORMANCE HOMOPOLYMER DELRIN® UP		1500AG UP K 83,8	1500AGUPKRA/000	83,8	3.30	8,7	0.343	1850	416	0,66	0.44
SPECIAL DELRIN® REINFORCED WITH KEVLAR® DK2	PBT	1500AG D2K K 83,8	1500AGD2KKRA/000	83,8	3.30	8,7	0.343	1850	416	0,66	0.44
ECOLOGICAL FRICTION ABATING THERMOPLASTIC e-F.A.S.T.		1500AG EF K 83,8	1500AGEFKRA/000	83,8	3.30	8,7	0.343	1850	416	0,66	0.44



Standard packaging:
Rolls of 3,048 m (10 feet)

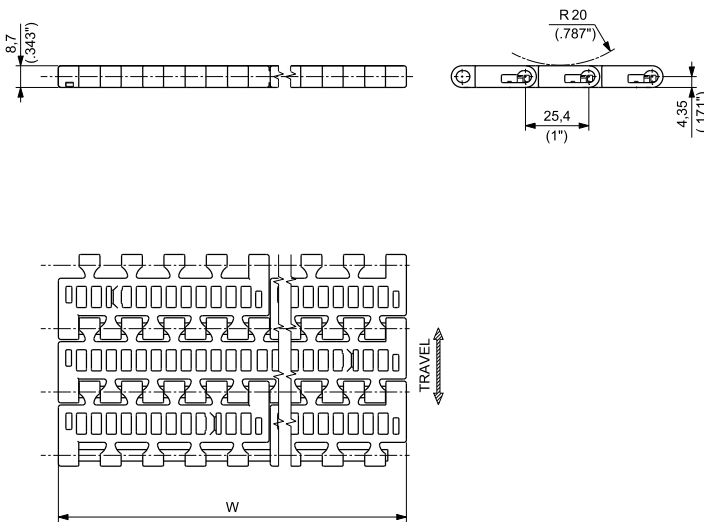
**8,7 mm (0.343") THICKNESS
FLUSH GRID**

This belt has an excellent combination of open and support areas to allow drainage of liquids and good support of the conveyed product. This belt is particularly suitable for conveying of aluminium cans.

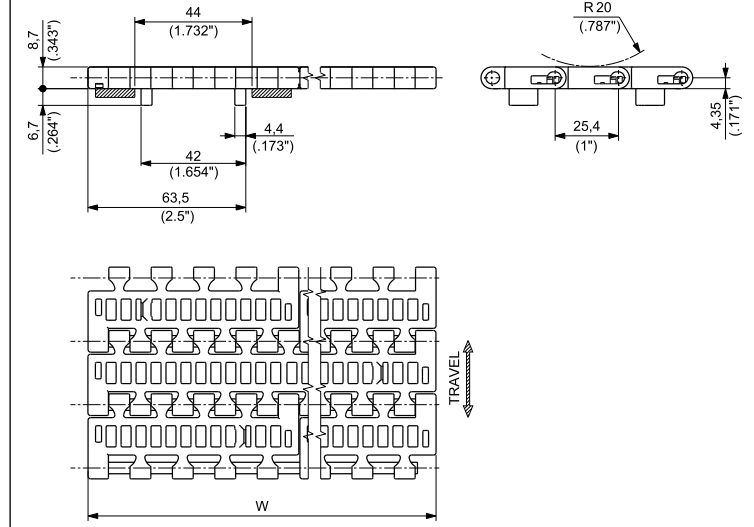
- **Belt widths:** 85 mm (3.346") or wider in 85 mm (3.346") increments
- **Working Load (at 25°C/77°F):** 21600 N/m (1,480 lbs/ft) for **UP** and **DK²** materials
13200 N/m (904 lbs/ft) for **PP** material
- **Belt weight:** 6,58 kg/m² (1.58 lbs/ft²) for **UP** and **DK²** materials
4,43 kg/m² (1.35 lbs/ft²) for **PP** material



VERSION WITHOUT TRACKING GUIDE



VERSION WITH TRACKING GUIDE



NOTE: The belt is also available with single tracking guide at both belt sides. Please contact REGINA customer service for further information.



Materials
see page 12



Sprockets
see pages 212÷218



Applications
see page 22

WIDTH W		MATERIALS						Pin	
		Module							
		UP ULTRA PERFORMANCE HOMOPOLYMER DELRIN®		DK ² SPECIAL DELRIN® REINFORCED WITH KEVLAR®		PP SPECIAL POLYPROPYLENE ⁽¹⁾			
		PART NUMBER		PART NUMBER		PART NUMBER			
mm	inch	WITHOUT TRACKING GUIDE	WITH TRACKING GUIDE	WITHOUT TRACKING GUIDE	WITH TRACKING GUIDE	WITHOUT TRACKING GUIDE	WITH TRACKING GUIDE	POLYPROPYLENE (PBT on request)	
85	3.35	1500AUP0085	1500AGUP0085	1500AD2K0085	1500AGD2K0085	1500APP0085	1500AGPP0085		PBT
170	6.69	1500BUP0170	1500BG1UP0170	1500BD2K0170	1500BG1D2K0170	1500BPP0170	1500BG1PP0170		
255	10.04	1500BUP0255	1500BG1UP0255	1500BD2K0255	1500BG1D2K0255	1500BPP0255	1500BG1PP0255		
340	13.39	1500BUP0340	1500BG1UP0340	1500BD2K0340	1500BG1D2K0340	1500BPP0340	1500BG1PP0340		
425	16.73	1500BUP0425	1500BG1UP0425	1500BD2K0425	1500BG1D2K0425	1500BPP0425	1500BG1PP0425		
510	20.08	1500BUP0510	1500BG1UP0510	1500BD2K0510	1500BG1D2K0510	1500BPP0510	1500BG1PP0510		
595	23.43	1500BUP0595	1500BG1UP0595	1500BD2K0595	1500BG1D2K0595	1500BPP0595	1500BG1PP0595		
680	26.77	1500BUP0680	1500BG1UP0680	1500BD2K0680	1500BG1D2K0680	1500BPP0680	1500BG1PP0680		
765	30.12	1500BUP0765	1500BG1UP0765	1500BD2K0765	1500BG1D2K0765	1500BPP0765	1500BG1PP0765		
850	33.46	1500BUP0850	1500BG1UP0850	1500BD2K0850	1500BG1D2K0850	1500BPP0850	1500BG1PP0850		
935	36.81	1500BUP0935	1500BG1UP0935	1500BD2K0935	1500BG1D2K0935	1500BPP0935	1500BG1PP0935		
1020	40.16	1500BUP1020	1500BG1UP1020	1500BD2K1020	1500BG1D2K1020	1500BPP1020	1500BG1PP1020		

⁽¹⁾ ACTUAL WIDTH CAN BE UP TO 1% GREATER THAN NOMINAL WIDTH

Belts wider than 1020 mm (40.16") are available in 85 mm (3.35") increments.
To identify the Part Numbers, please substitute the last four digits of the PN with the desired width.
Example: for a 1105 mm wide belt (=1020+85 mm) without guide, the PN for UP material is "1500BUP1105".



Standard packaging:
Belt widths ≤ 680 mm (26.77") are supplied in rolls of 3,048 m (10 ft) each.
Belt widths ≥ 765 mm (30.12") are supplied in the length requested by the customer.

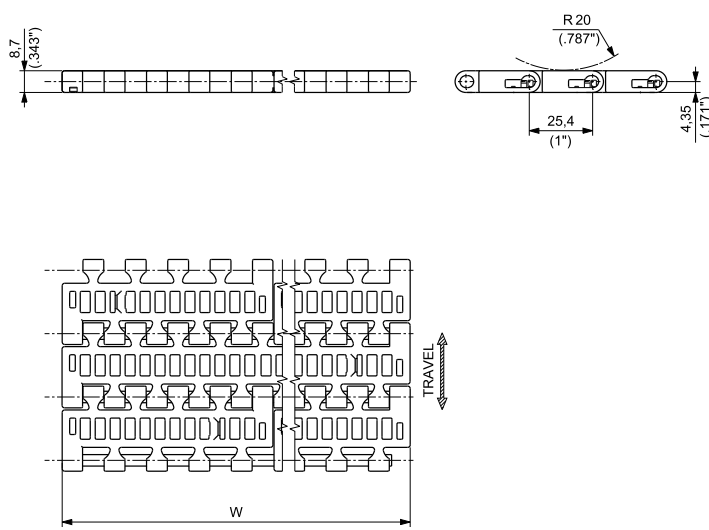
8,7 mm (0.343") THICKNESS FLUSH GRID

This belt has an excellent combination of open and support areas to allow drainage of liquids and good support of the conveyed product. This belt is particularly suitable for conveying of aluminium cans.

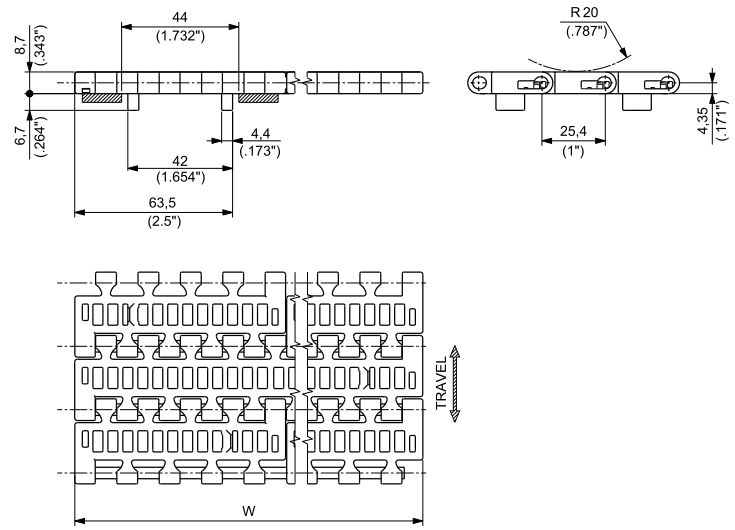
- **Belt widths:** 85 mm (3.346") or wider in 85 mm (3.346") increments
- **Working Load (at 25°C/77°F):** 21600 N/m (1,480 lbs/ft) for **e-FAST** materials
- **Belt weight:** 6,58 kg/m² (1.58 lbs/ft²) for **e-FAST** materials



VERSION WITHOUT TRACKING GUIDE



VERSION WITH TRACKING GUIDE



NOTE: The belt is also available with single tracking guide at both belt sides. Please contact REGINA customer service for further information.



Materials see page 12



Sprockets see pages 212÷218



Applications see page 22

WIDTH W		MATERIALS	
		Module	Pin
		NEW e-FAST ECOLOGICAL FRICTION ABATING THERMOPLASTIC	
		PART NUMBER	
mm	inch	WITHOUT TRACKING GUIDE	WITH TRACKING GUIDE
85	3.35	1500AEF0085	1500AGEF0085
170	6.69	1500AEF0170	1500AG1EF0170
255	10.04	1500AEF0255	1500AG1EF0255
340	13.39	1500AEF0340	1500AG1EF0340
425	16.73	1500AEF0425	1500AG1EF0425
510	20.08	1500AEF0510	1500AG1EF0510
595	23.43	1500AEF0595	1500AG1EF0595
680	26.77	1500AEF0680	1500AG1EF0680
765	30.12	1500AEF0765	1500AG1EF0765
850	33.46	1500AEF0850	1500AG1EF0850
935	36.81	1500AEF0935	1500AG1EF0935
1020	40.16	1500AEF1020	1500AG1EF1020

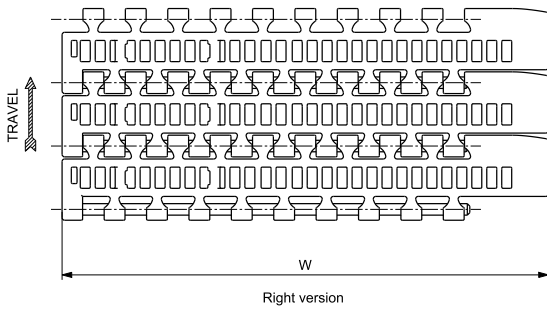
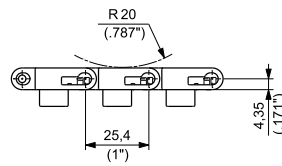
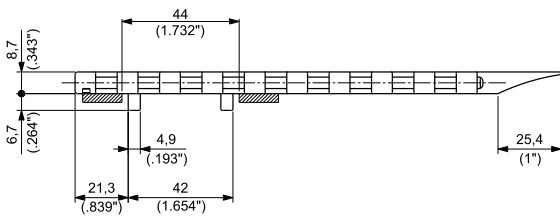
Belts wider than 1020 mm (40.16") are available in 85 mm (3.35") increments.
To identify the Part Numbers, please substitute the last four digits of the PN with the desired width.
Example: for a 1105 mm wide belt (=1020+85 mm) without guide, the PN for EF material is "1500AEF1105".



Standard packaging:
Belt widths ≤ 680 mm (26.77") are supplied in rolls of 3,048 m (10 ft) each.
Belt widths ≥ 765 mm (30.12") are supplied in the length requested by the customer.

ACTIVE TRANSFER MODULES 8,7 mm (0.343") THICKNESS FLUSH GRID

1500G ATM can be used in combination with 1500 Modular belts series.
Active transfer modules 1500G ATM allow the transfer of products between two 90° conveyor tracks without using dead plates.
The special wing shaped module profile supports the products dynamically during transfer on the take-away belt.
This system is particularly suitable for aluminium cans.



Materials
see page 12



Sprockets
see pages 212÷218



Applications
see page 22

1500G ATM - Right Version

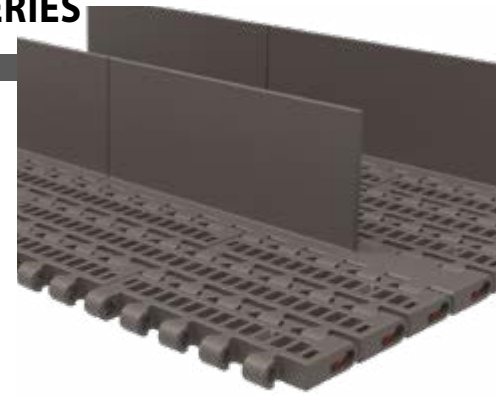
MATERIALS		ITEM DESCRIPTION	PART NUMBER	WIDTH W		PLATE THICKNESS		WORKING LOAD (25°C/77°F)		WEIGHT	
Plate	Pin			mm	inch	mm	inch	N	lbs	kg/m	lbs/ft
ULTRA PERFORMANCE HOMOPOLYMER DELRIN®		1500BGATM UP 0170 DX	1500BGATMUP170D	195	7.68	8,7	0.343	3670	825	0,85	0.57
UP	POLYPROPYLENE										
SPECIAL DELRIN® REINFORCED WITH KEVLAR®		1500BGATM D2K 0170 DX	1500BGATMD2K170D	195	7.68	8,7	0.343	3670	825	0,85	0.57
DK2											
NEW ECOLOGICAL FRICTION ABATING THERMOPLASTIC	PBT	1500AGATM EF 0170 DX	1500AGATMEF170D	195	7.68	8,7	0.343	3670	825	0,85	0.57
e-FAST											



Standard packaging:
Rolls of 3,048 m (10 feet)

8,7 mm (0.343") THICKNESS
FLUSH GRID
FOR INCLINE/DECLINE APPLICATIONS

NEW



The 1500 series are also available in a version with flights.
 Flights can now be integrated into 1500 series conveyors, to convey products in incline or decline applications.
 Flight modules are single-piece elements made by injection-molding that, once assembled, become an integral part of the belt.



Flights are available in 1" (25,4 mm), 2" (50,8 mm) or 3" (76,2 mm) standard heights (F dimension).
 Flights can be as wide as the module (see exhibit 1), or have a 45 mm (1.772") side indent (see exhibit 2).

EXHIBIT 1

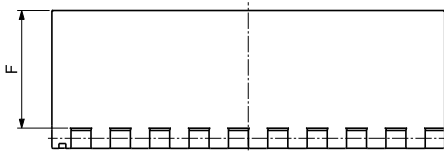
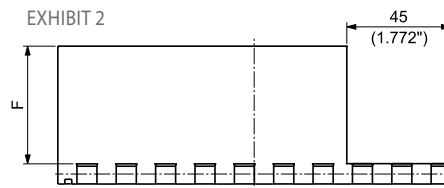


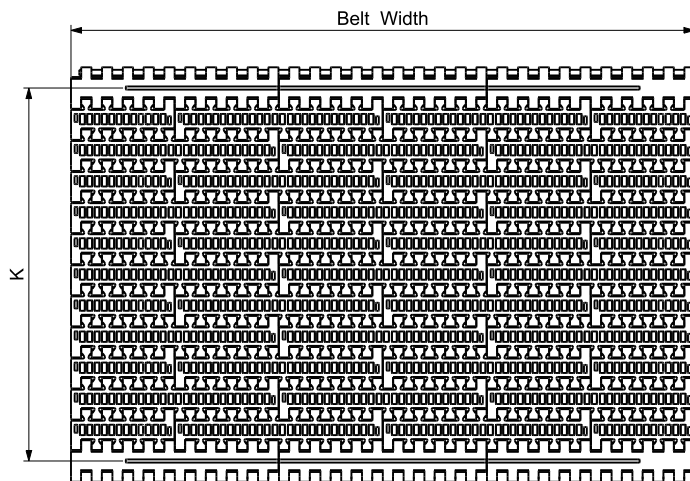
EXHIBIT 2



The position of flights into a 1500 modular belt can be customized to fit different applications or conveyor designs, by specifying the following parameters:

- 1) Flights pitch (K): distance between 2 rows of flights (see exhibit 3).

EXHIBIT 3



2) Indent (see configuration examples below): the flight indent (N) is the distance between the edge of the belt and the edge of the flight.

It is required to support the belt on its return ways and to hold it down during back flexing.

Standard indent (N) values:

- No side indent
- 45 mm (1.772")

3) N. of Notches and dimension (see configuration examples below): the notch (G) is a gap in each row of flights, longitudinally aligned, to allow supporting the belts on their return ways or in backflexing applications.

The distance (D) is the notch distance from the belt edge.

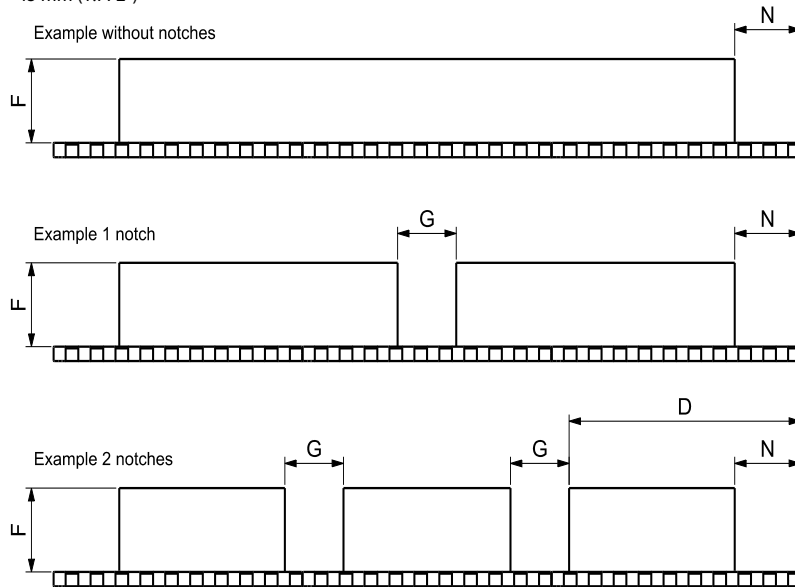
4) N. of Notches available:

- N. 1 notch in the centre
- N. 2 symmetrical notches
- N. 3 symmetrical notches

The belt can be also supplied without notches.

Standard gap (G) values:

- 45 mm (1.772")



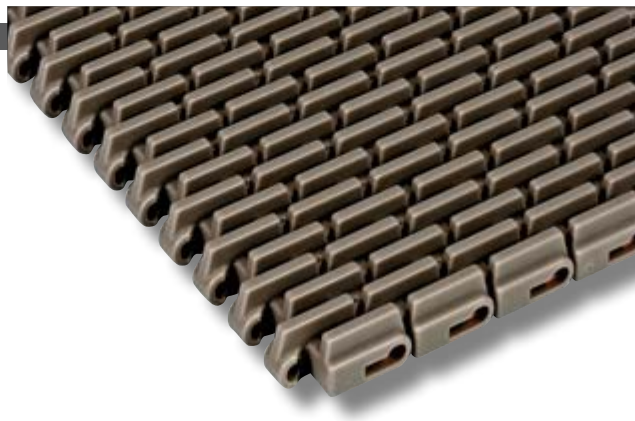
CATALOGUE REFERENCE

Use the checklist below to select the correct belt version according to the application needs. Check boxes and fill-in the required values, then contact REGINA Sales Department.

SERIES: 1500 (Flush grid surface)

MATERIAL: Polypropylene PP (grey)

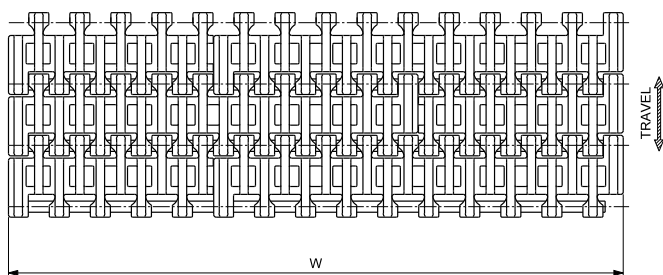
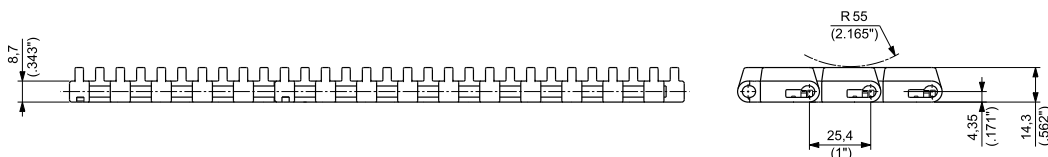
Belt Width (W)	<input type="text"/>	(multiples of 85 mm increments)
Flight height (F)	<input type="checkbox"/>	1" (25,4 mm)
	<input type="checkbox"/>	2" (50,8 mm)
	<input type="checkbox"/>	3" (76,2 mm)
	<input type="text"/>	(special value less than 3" on request)
Flights pitch (K)	<input type="text"/>	(flights row every.. th belt row)
Side indent (N)	<input type="checkbox"/>	No side indent
	<input type="checkbox"/>	45 mm (1.771") indent
	<input type="text"/>	(special value on request)
N. of notches	<input type="checkbox"/>	No notch
	<input type="checkbox"/>	1 notch in the centre
	<input type="checkbox"/>	2 symmetrical notches
	<input type="checkbox"/>	3 symmetrical notches
Notch width (G)	<input type="checkbox"/>	45 mm (1.771")
	<input type="text"/>	(special value on request)
Notch distance (D)	<input type="text"/>	



8,7 mm (0.343") THICKNESS RAISED RIB

This belt allows smooth head transfer of the products, thanks to the optimized ratio rib thickness / spacing and the special click-combs. Particularly suitable for products infeed of packaging machines.

- **Belt widths:** 170 mm (6.69") or wider in 85 mm (3.34") increments
- **Working Load (at 25°C/77°F):** 21600 N/m (1,480 lbs/ft)
- **Belt weight:** 9,62 kg/m² (1.97 lbs/ft²)



Matveyor



Materials see page 12



Combs see page 205



Sprockets see pages 212-218



Applications see page 22

WIDTH W		MATERIALS	
		Module	Pin
		UP ULTRA PERFORMANCE HOMOPOLYMER DELRIN®	
		PART NUMBER	
mm	inch		
170	6.69	RR1500BUP0170	POLYPROPYLENE
255	10.04	RR1500BUP0255	
340	13.39	RR1500BUP0340	
425	16.73	RR1500BUP0425	
510	20.08	RR1500BUP0510	
595	23.43	RR1500BUP0595	
680	26.77	RR1500BUP0680	
765	30.12	RR1500BUP0765	
850	33.46	RR1500BUP0850	
935	36.81	RR1500BUP0935	
1020	40.16	RR1500BUP1020	

Belts wider than 1020 mm (40.16") are available in 85 mm (3.35") increments. To identify the Part Numbers, please substitute the last four digits of the PN with the desired width. Example: for a 1105 mm wide belt (=1020+85 mm), the PN for UP material is "RR1500BUP1105".



Standard packaging:
Belt widths ≤ 680 mm (26.77") are supplied in rolls of 3,048 m (10 ft) each.
Belt widths ≥ 765 mm (30.12") are supplied in the length requested by the customer.

TRANSFER COMBS

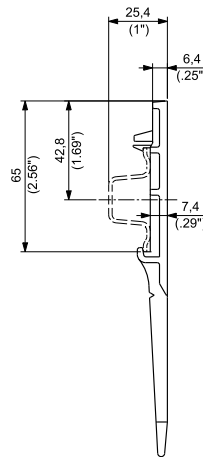
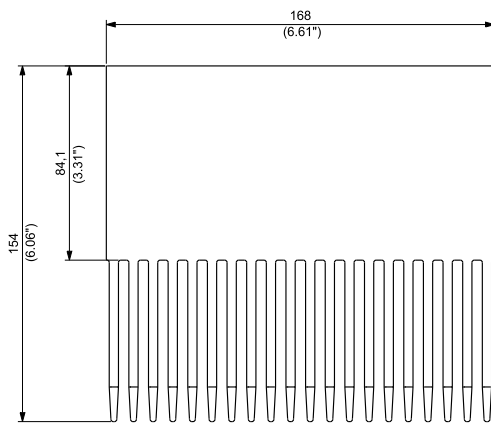
The comb is click-fitted on the omega style profile without using any fastening screws.



MATERIALS

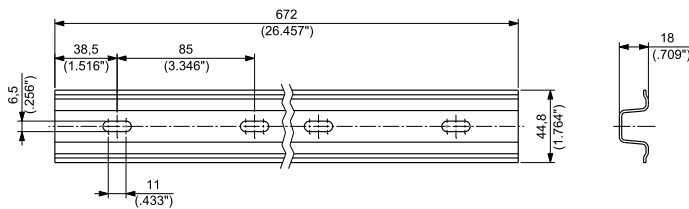
COMBS: **DG** ACETAL RESIN

PROFILE: **SS** STAINLESS STEEL



PART NUMBER **TC1500-01**

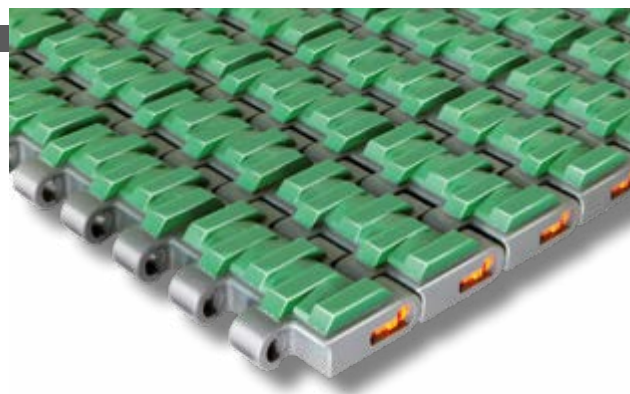
OMEGA STYLE PROFILE



PART NUMBER **PRT-RR1500-0672**

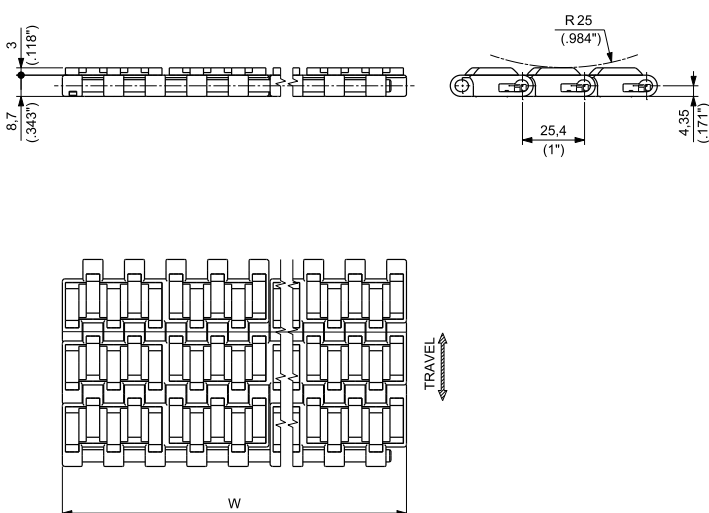
8,7 mm (0.343") THICKNESS RUBBERIZED SURFACE - FULL COVER

This belt is specifically designed for handling shrink wrapped packs, boxes, plastic trays and other type of containers in incline, decline or timing applications.
The rubberized area is maximized to provide outstanding gripping capabilities on the conveyed products.

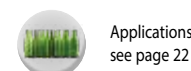
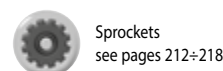
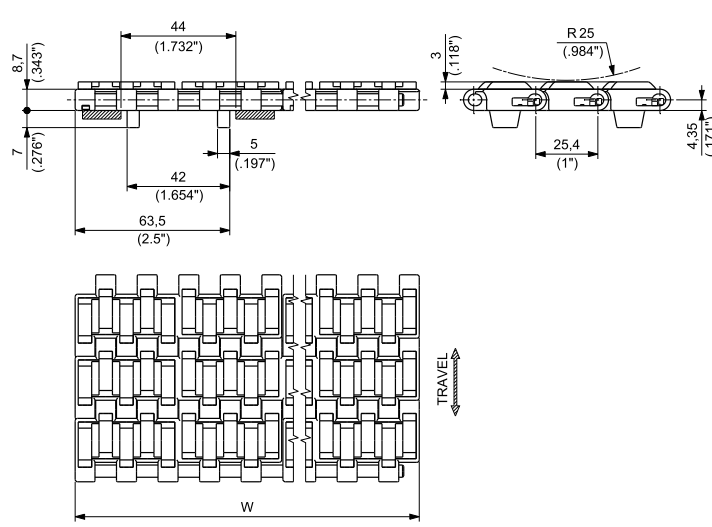


- **Belt widths:** 85 mm (3.346") or wider in 85 mm (3.346") increments
- **Working Load (at 25°C/77°F):** 21600 N/m (1,480 lbs/ft) for **ULF** material
13200 N/m (904 lbs/ft) for **PP** material
- **Belt weight:** 9,05 kg/m² (1.85 lbs/ft²) for **ULF** material
6,84 kg/m² (1.40 lbs/ft²) for **PP** material

VERSION WITHOUT TRACKING GUIDE



VERSION WITH TRACKING GUIDE



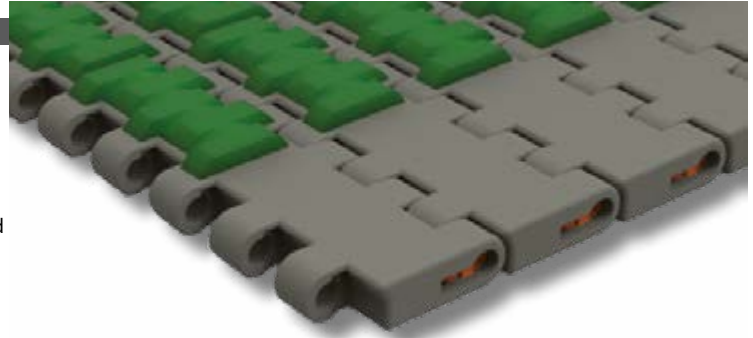
WIDTH W		MATERIALS				Rubber	Pin
		Module		Module			
		ULF ULTRA LOW FRICTION POLYESTER RESIN	PP SPECIAL POLYPROPYLENE ⁽¹⁾				
		PART NUMBER		PART NUMBER			
mm	inch	WITHOUT TRACKING GUIDE	WITH TRACKING GUIDE	WITHOUT TRACKING GUIDE	WITH TRACKING GUIDE	THERMOPLASTIC TPE Hardness: 55 ShA for ULF material 50 ShA for PP material	POM for ULF material PBT for PP material
85	3.35	HF1600ULF0085	HF1600GULF0085	HF1600APP0085	HF1600AGPP0085		
170	6.69	HF1600ULF0170	HF1600G1ULF0170	HF1600APP0170	HF1600AG1PP0170		
255	10.04	HF1600ULF0255	HF1600G1ULF0255	HF1600APP0255	HF1600AG1PP0255		
340	13.39	HF1600ULF0340	HF1600G1ULF0340	HF1600APP0340	HF1600AG1PP0340		
425	16.73	HF1600ULF0425	HF1600G1ULF0425	HF1600APP0425	HF1600AG1PP0425		
510	20.08	HF1600ULF0510	HF1600G1ULF0510	HF1600APP0510	HF1600AG1PP0510		
595	23.43	HF1600ULF0595	HF1600G1ULF0595	HF1600APP0595	HF1600AG1PP0595		
680	26.77	HF1600ULF0680	HF1600G1ULF0680	HF1600APP0680	HF1600AG1PP0680		
756	30.12	HF1600ULF0765	HF1600G1ULF0765	HF1600APP0765	HF1600AG1PP0765		
850	33.46	HF1600ULF0850	HF1600G1ULF0850	HF1600APP0850	HF1600AG1PP0850		
935	36.81	HF1600ULF0935	HF1600G1ULF0935	HF1600APP0935	HF1600AG1PP0935		
1020	40.16	HF1600ULF1020	HF1600G1ULF1020	HF1600APP1020	HF1600AG1PP1020		

⁽¹⁾ ACTUAL WIDTH CAN BE UP TO 1% GREATER THAN NOMINAL WIDTH

Belts wider than 1020 mm (40.16") are available in 85 mm (3.35") increments.
To identify the Part Numbers, please substitute the last four digits of the PN with the desired width.
Example: for a 1105 mm wide belt (=1020+85 mm) without guide, the PN for ULF material is "HF1600ULF1105".



Standard packaging:
Belt widths ≤ 425 mm (16.73") are supplied in rolls of 1,524 m (5 ft) each.
Belt widths ≥ 510 mm (20.08") are supplied in the length requested by the customer.

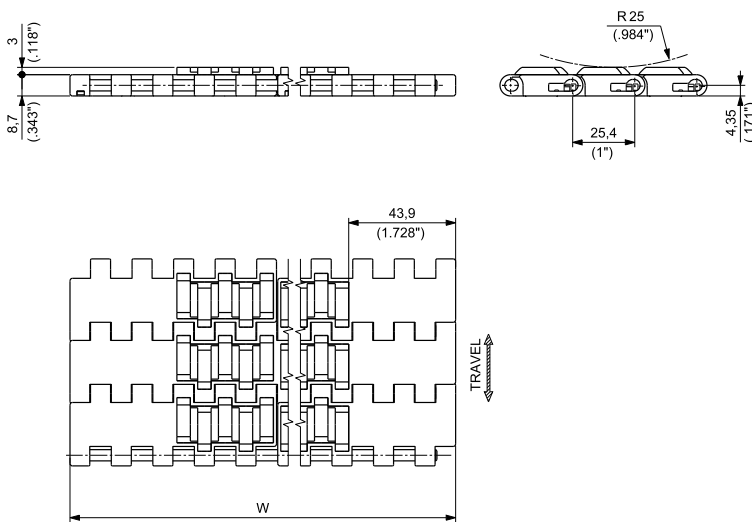


8,7 mm (0.343") THICKNESS RUBBERIZED SURFACE - SIDE INDENT

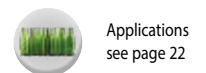
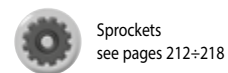
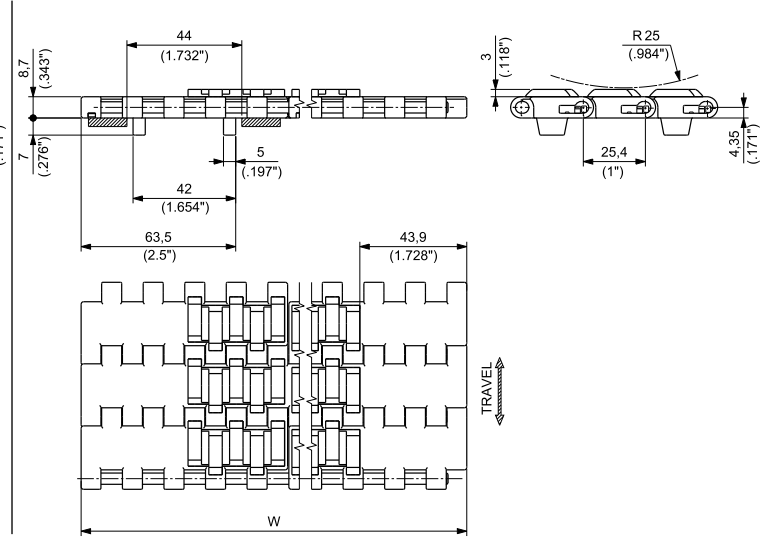
The belt is specifically designed for handling shrink wrapped packs, boxes, plastic trays and other types of containers in incline, decline or timing applications.

- **Belt widths:** 255 mm (10.04") or wider in 85 mm (3.346") increments
- **Working Load (at 25°C/77°F):** 21600 N/m (1,480 lbs/ft) for **ULF** material
13200 N/m (904 lbs/ft) for **PP** material
- **Belt weight:** 8,91 kg/m² (1.82 lbs/ft²) for **ULF** material
6,71 kg/m² (1.37 lbs/ft²) for **PP** material

VERSION WITHOUT TRACKING GUIDE



VERSION WITH TRACKING GUIDE



WIDTH W		MATERIALS				Rubber	Pin
		Module					
		ULF ULTRA LOW FRICTION POLYESTER RESIN	PP SPECIAL POLYPROPYLENE ⁽¹⁾				
		PART NUMBER		PART NUMBER			
mm	inch	WITHOUT TRACKING GUIDE	WITH TRACKING GUIDE	WITHOUT TRACKING GUIDE	WITH TRACKING GUIDE		
255	10.04	HFS1600ULF0255	HFS1600G1ULF0255	HFS1600APP0255	HFS1600AG1PP0255	THERMOPLASTIC TPE Hardness: 55 ShA for ULF material 50 ShA for PP material	POM for ULF material PBT for PP material
340	13.39	HFS1600ULF0340	HFS1600G1ULF0340	HFS1600APP0340	HFS1600AG1PP0340		
425	16.73	HFS1600ULF0425	HFS1600G1ULF0425	HFS1600APP0425	HFS1600AG1PP0425		
510	20.08	HFS1600ULF0510	HFS1600G1ULF0510	HFS1600APP0510	HFS1600AG1PP0510		
595	23.43	HFS1600ULF0595	HFS1600G1ULF0595	HFS1600APP0595	HFS1600AG1PP0595		
680	26.77	HFS1600ULF0680	HFS1600G1ULF0680	HFS1600APP0680	HFS1600AG1PP0680		
765	30.12	HFS1600ULF0765	HFS1600G1ULF0765	HFS1600APP0765	HFS1600AG1PP0765		
850	33.46	HFS1600ULF0850	HFS1600G1ULF0850	HFS1600APP0850	HFS1600AG1PP0850		
935	36.81	HFS1600ULF0935	HFS1600G1ULF0935	HFS1600APP0935	HFS1600AG1PP0935		
1020	40.16	HFS1600ULF1020	HFS1600G1ULF1020	HFS1600APP1020	HFS1600AG1PP1020		

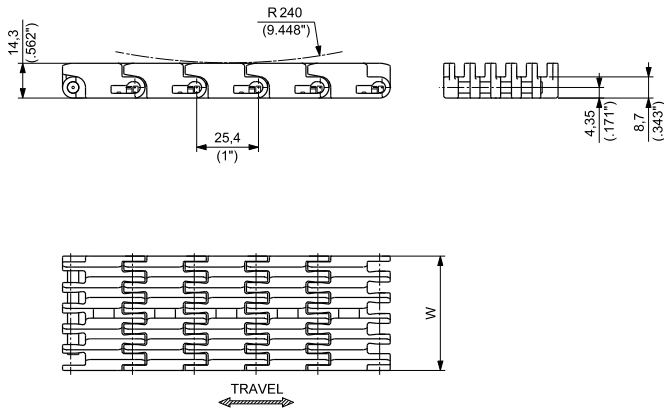
⁽¹⁾ ACTUAL WIDTH CAN BE UP TO 1% GREATER THAN NOMINAL WIDTH

Belts wider than 1020 mm (40.16") are available in 85 mm (3.35") increments.
To identify the Part Numbers, please substitute the last four digits of the PN with the desired width.
Example: for a 1105 mm wide belt (=1020+85 mm) without guide, the PN for ULF material is "HFS1600ULF1105".

Standard packaging:
Belt widths ≤ 425 mm (16.73") are supplied in rolls of 1,524 m (5 ft) each.
Belt widths ≥ 510 mm (20.08") are supplied in the length requested by the customer.

8,7 mm (0.343") THICKNESS RAISED RIB

The ideal ratio rib thickness/spacing offers high support even for the most unstable products, such as PET bottles with petaloid bottom, cans, 3-piece cans. Optimum liquid drainage and good mechanical strength.



Materials
see page 12



Combs
see page 209



Sprockets
see pages 212÷218



Applications
see page 22

MATERIALS		ITEM DESCRIPTION	PART NUMBER	WIDTH W		PLATE THICKNESS		WORKING LOAD (25°C/77°F)		WEIGHT	
Plate	Pin			mm	inch	mm	inch	N	lbs	kg/m	lbs/ft
ULTRA PERFORMANCE HOMOPOLYMER DELRIN® UP	PBT	RR1600A UP K 30	R1600AUPKMA/000	30,0	1.18	8,7	0.343	700	157	0,39	0.26
		RR1600A UP K 38,5	R1600AUPKMB/000	38,5	1.52	8,7	0.343	950	214	0,49	0.33
		RR1600A UP K 47	R1600AUPKMB/000	47,0	1.85	8,7	0.343	1150	259	0,60	0.40
		RR1600A UP K 58	R1600AUPKPB/000	58,0	2.28	8,7	0.343	1400	315	0,75	0.50
SPECIAL POLYPROPYLENE ⁽¹⁾ PP	PBT	RR1600A PP K 30	R1600APPKMA/000	30,0	1.18	8,7	0.343	700	157	0,26	0.17
		RR1600A PP K 38,5	R1600APPKMB/000	38,5	1.52	8,7	0.343	950	214	0,33	0.22
		RR1600A PP K 47	R1600APPKMB/000	47,0	1.85	8,7	0.343	1150	259	0,40	0.27
		RR1600A PP K 58	R1600APPKPB/000	58,0	2.28	8,7	0.343	1400	315	0,49	0.33

⁽¹⁾ ACTUAL WIDTH CAN BE UP TO 0,5% GREATER THAN NOMINAL WIDTH



Standard packaging:
Rolls of 3,048 m (10 feet)

TRANSFER COMBS

Combs are supplied with slot covers but without fastening screws.
One fastening screw is required for each comb.
It can be ordered using P/N 16300020.



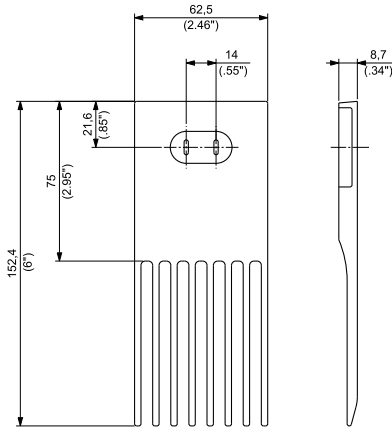
MATERIALS

COMBS: **DG** ACETAL RESIN

SCREWS*: **SS** STAINLESS STEEL

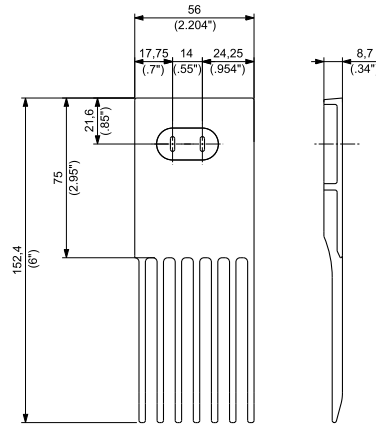
*Screws are not included in the combs.

COMB FOR K 58 CHAIN

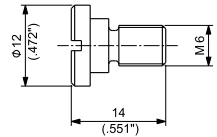


PART NUMBER **TC1600-01**

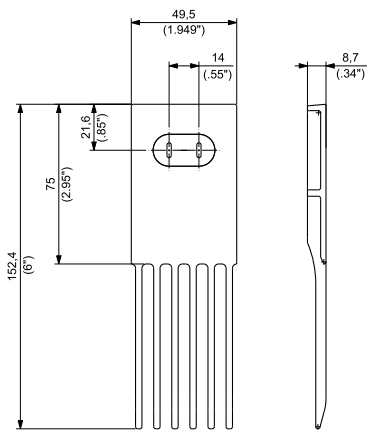
COMB FOR K 47 CHAIN



PART NUMBER **TC1600-02**

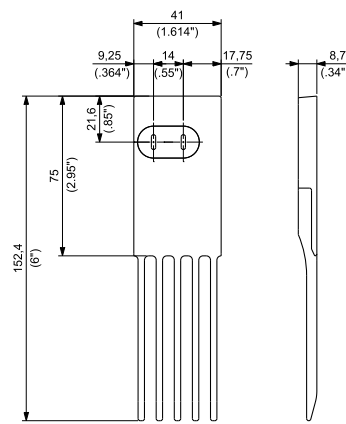


COMB FOR K 38,5 CHAIN



PART NUMBER **TC1600-03**

COMB FOR K 30 CHAIN



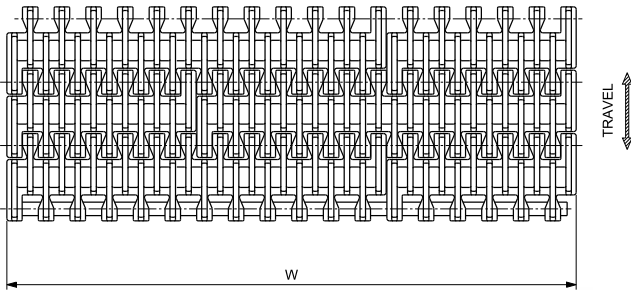
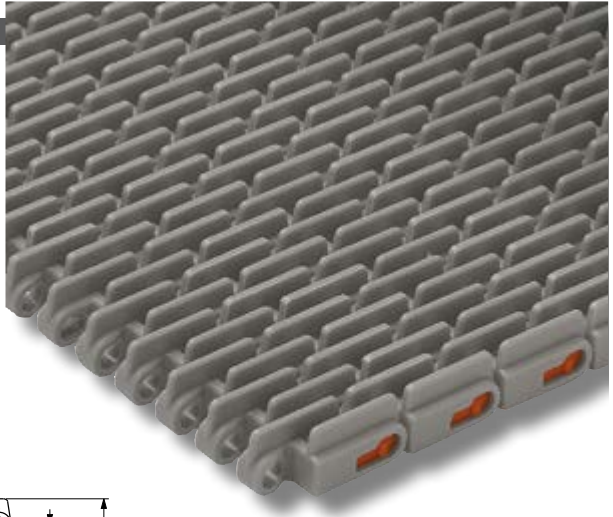
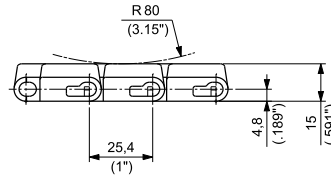
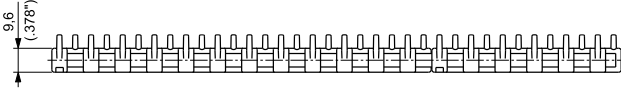
PART NUMBER **TC1600-04**

PART NUMBER **16300020**

9,6 mm (0.378") THICKNESS RAISED RIB

This belt allows the head transfer of the products by using transfer combs and has a open area to allow liquid drainage and belt cleaning. Particularly suitable for product infeed of packaging machines.

- **Belt widths:** 152,4 mm (6") or wider in 76,2 mm (3") increments
- **Working Load (at 25°C/77°F):** 21580 N/m (1,480 lbs/ft) for **UP** material
10920 N/m (748 lbs/ft) for **PP** material
- **Belt weight:** 9,27 kg/m² (1.90 lbs/ft²) for **UP** material
6,16 kg/m² (1.26 lbs/ft²) for **PP** material



Materials see page 12



Combs see page 211



Sprockets see pages 212÷218



Applications see page 22

WIDTH W		MATERIALS		
		Module		Pin
		UP ULTRA PERFORMANCE HOMOPOLYMER DELRIN®	PP SPECIAL POLYPROPYLENE ⁽¹⁾	
mm	inch	PART NUMBER	PART NUMBER	
152,4	6	1110UP006	1110PP006	POLYPROPYLENE
228,6	9	1110UP009	1110PP009	
304,8	12	1110UP012	1110PP012	
381,0	15	1110UP015	1110PP015	
457,2	18	1110UP018	1110PP018	
533,4	21	1110UP021	1110PP021	
609,6	24	1110UP024	1110PP024	
685,8	27	1110UP027	1110PP027	
762,0	30	1110UP030	1110PP030	
838,2	33	1110UP033	1110PP033	
914,4	36	1110UP036	1110PP036	
990,6	39	1110UP039	1110PP039	
1066,8	42	1110UP042	1110PP042	
1143,0	45	1110UP045	1110PP045	
1219,2	48	1110UP048	1110PP048	
1295,4	51	1110UP051	1110PP051	
1371,6	54	1110UP054	1110PP054	
1447,8	57	1110UP057	1110PP057	
1524,0	60	1110UP060	1110PP060	

⁽¹⁾ ACTUAL WIDTH CAN BE UP TO 1% GREATER THAN NOMINAL WIDTH

Belts wider than 1524 mm (60") are available in 76,2 mm (3") increments.
To identify the Part Numbers, please substitute the last three digits of the PN with the desired width.
Example: for a 63" wide belt (=60+3 inches), the PN for PP material is "1110PP063"¹



Standard packaging:
Belts are supplied in the length requested by the customer.

TRANSFER COMBS

Combs are supplied with slot covers but without fastening screws.
Two fastening screws are required for each comb.
They can be ordered using P/N 16300020.

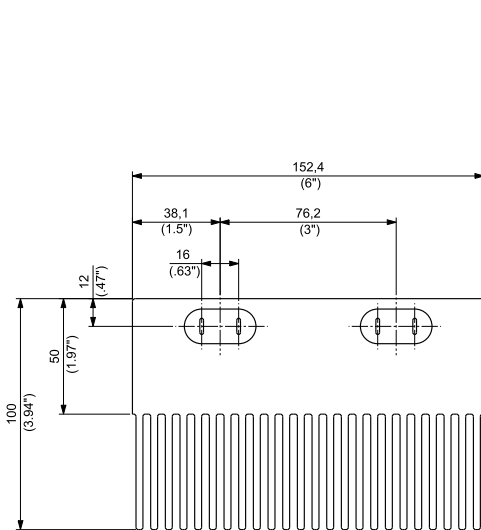
Special note: the comb fastening screws for 1110 belts are not interchangeable with fastening screws for 3125 belts.

MATERIALS

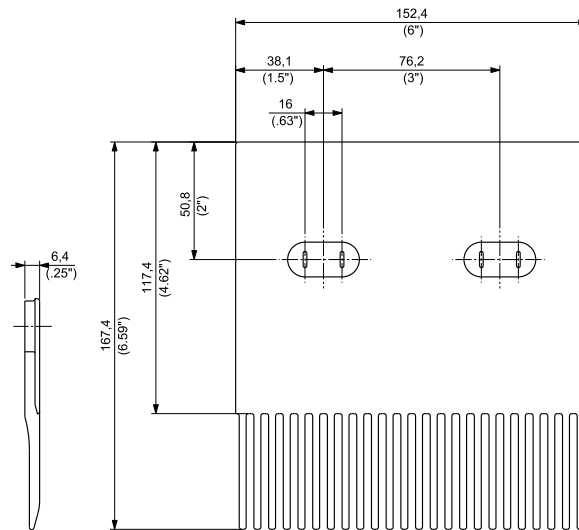
COMBS: **DG** ACETAL RESIN

SCREWS*: **SS** STAINLESS STEEL

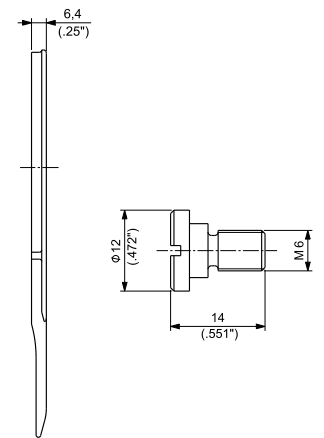
*Screws are not included in the combs.



PART NUMBER **TC1110-01**



PART NUMBER **TC1110-02**



PART NUMBER **16300020**

SUITABLE FOR CHAINS:

- 1500
- 1600
- HF 1600
- HFS 1600
- RR 1500
- RR 1600
- 1110

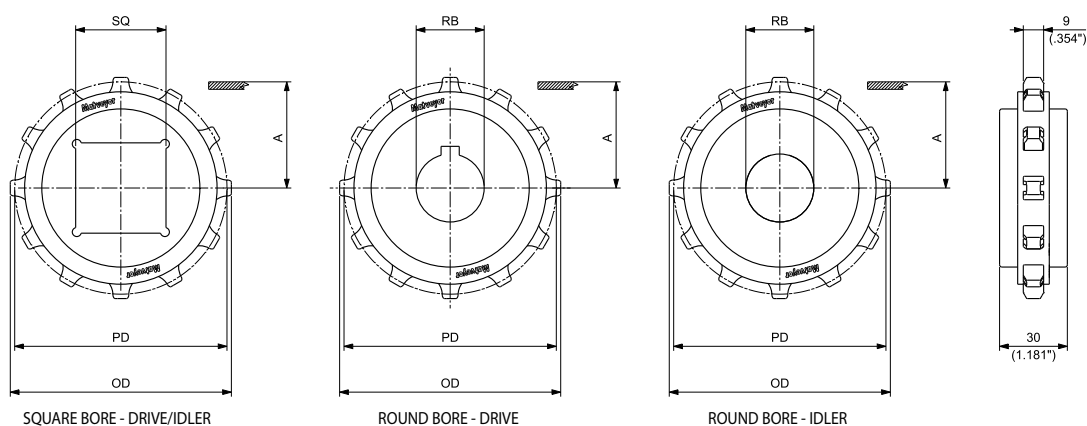
MATERIALS

SPROCKETS: **PGF** REINFORCED POLYAMIDE



8T & 12T SPROCKETS

(for 13T, 18T, 19T & 21T see next pages)



NOTE: FOR 8T SPROCKET, THE HUB WIDTH IS 25 mm (0.984")

MOULDED SOLID DRIVE AND IDLER SPROCKETS

N. TEETH	PITCH DIAMETER PD		OUTSIDE DIAMETER OD		WEAR STRIP POSITIONING A		BORE SIZE*		PART NUMBER		WEIGHT		
	mm	inch	mm	inch	mm	inch	mm	inch	SQUARE BORE SQ	ROUND BORE RB		Kg	lbs
	DRIVE/IDLER		DRIVE		IDLER								
8	66,37	2.613	64,50	2.539	28,80	1.134	20			MPBT10100820	MPBF10100820	0,05	0.11
							25			MPBT10100825	MPBF10100825	0,04	0.10
							30			MPBT10100830	MPBF10100830	0,04	0.08
							1¼			MPBT101008254	MPBF101008254	0,04	0.10
							1½			MPBT101008317	MPBF101008317	0,03	0.07
12	98,14	3.864	97,90	3.854	44,70	1.760	30			MPBT10101230	MPBF10101230	0,14	0.30
							35			MPBT10101235	MPBF10101235	0,13	0.28
							40	MPBQ10101240	MPBT10101240	MPBF10101240	0,12	0.27	
							1⅜			MPBT101012301	MPBF101012301	0,14	0.30
							1⅞			MPBT101012365	MPBF101012365	0,12	0.27
						1½			MPBT101012381	MPBF101012381	0,12	0.26	

*In case of round bore, diameter is indicated. In case of square bore, side of the square is indicated.

SUITABLE FOR CHAINS:

- 1500
- 1600
- HF 1600
- HFS 1600
- RR 1500
- RR 1600
- 1110

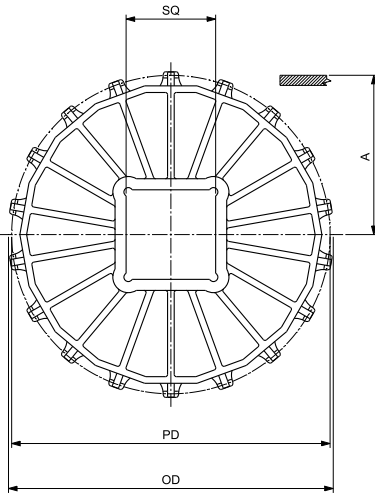
MATERIALS

SPROCKETS: **PGF** REINFORCED POLYAMIDE

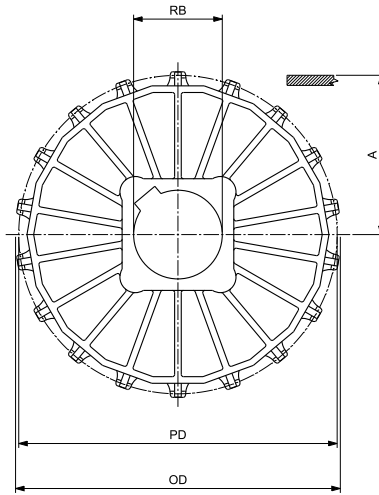


13T & 18T SPROCKETS

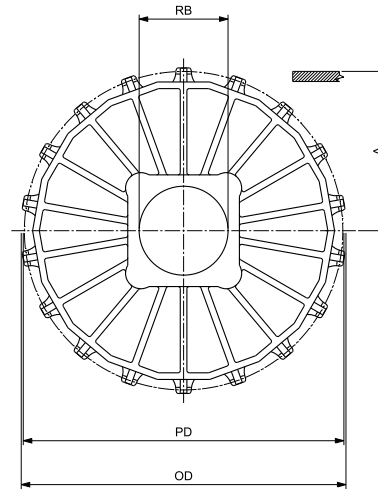
(for 19T & 21T see next page, for 8T & 12T see previous page)



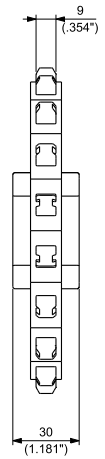
SQUARE BORE - DRIVE/IDLER



ROUND BORE - DRIVE



ROUND BORE - IDLER



MOULDED SOLID DRIVE AND IDLER SPROCKETS

N. TEETH	PITCH DIAMETER PD		OUTSIDE DIAMETER OD		WEAR STRIP POSITIONING A		BORE SIZE*		SQUARE BORE SQ DRIVE/IDLER	PART NUMBER ROUND BORE RB		WEIGHT	
	mm	inch	mm	inch	mm	inch	mm	inch		DRIVE	IDLER	Kg	lbs
13	106,14	4.179	106,20	4.181	48,70	1.917	30			MPBT10101330	MPBF10101330	0,17	0.38
							35			MPBT10101335	MPBF10101335	0,15	0.33
							40	MPBQ10101340	MPBT10101340	MPBF10101340	0,16	0.36	
							1 ³ / ₁₆			MPBT101013301	MPBF101013301	0,17	0.38
							1 ⁷ / ₁₆			MPBT101013365	MPBF101013365	0,16	0.35
							1 ¹ / ₂	MPBQ10101381	MPBT101013381	MPBF101013381	0,15	0.34	
18	146,27	5.759	147,20	5.795	68,80	2.709	30			MPBT10101830	MPBF10101830	0,19	0.41
							35			MPBT10101835	MPBF10101835	0,21	0.47
							40	MPBQ10101840	MPBT10101840	MPBF10101840	0,20	0.44	
							60	MPBQ10101860			0,16	0.36	
							1 ³ / ₁₆			MPBT101018301		0,21	0.46
							1 ⁷ / ₁₆			MPBT101018365	MPBF101018365	0,20	0.43
1 ¹ / ₂			MPBT101018381	MPBF101018381	0,19	0.42							

*In case of round bore, diameter is indicated. In case of square bore, side of the square is indicated.

SUITABLE FOR CHAINS:

- 1500
- 1600
- HF 1600
- HFS 1600
- RR 1500
- RR 1600
- 1110

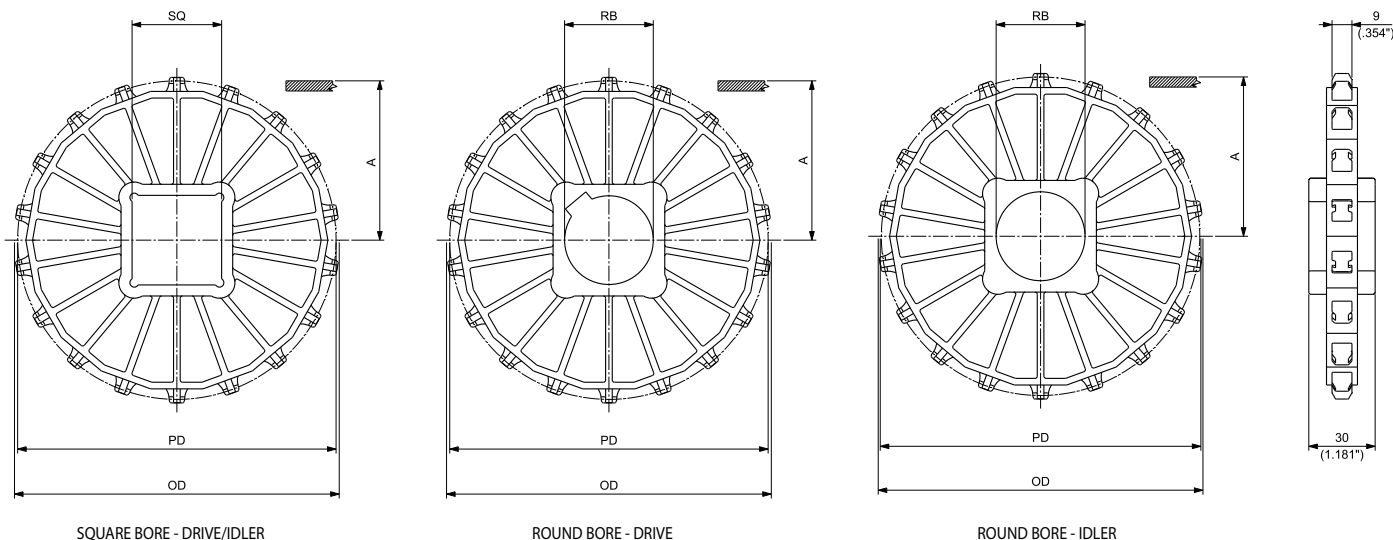
MATERIALS

SPROCKETS: **PGF** REINFORCED POLYAMIDE



19T & 21T SPROCKETS

(for 8T, 12T, 13T & 18T see previous pages)



SQUARE BORE - DRIVE/IDLER

ROUND BORE - DRIVE

ROUND BORE - IDLER

MOULDED SOLID DRIVE AND IDLER SPROCKETS

N. TEETH	PITCH DIAMETER PD		OUTSIDE DIAMETER OD		WEAR STRIP POSITIONING A		BORE SIZE*		PART NUMBER			WEIGHT	
	mm	inch	mm	inch	mm	inch	mm	inch	SQUARE BORE SQ DRIVE/IDLER	ROUND BORE RB DRIVE	ROUND BORE RB IDLER	Kg	lbs
19	154,32	6.076	155,30	6.114	72,80	2.866	30			MPBT10101930	MPBF10101930	0,18	0.41
							35			MPBT10101935	MPBF10101935	0,17	0.38
							40	MPBQ10101940	MPBT10101940	MPBF10101940	0,16	0.35	
							50			MPBT10101950	MPBF10101950	0,19	0.42
							60	MPBQ10101960	MPBT10101960	MPBF10101960	0,15	0.34	
							65	MPBQ10101965			0,17	0.37	
							1			MPBT101019254	MPBF101019254	0,19	0.43
							1 ³ / ₁₆			MPBT101019301	MPBF101019301	0,18	0.41
							1 ⁷ / ₁₆			MPBT101019365	MPBF101019365	0,17	0.37
							1 ¹ / ₂	MPBQ101019381	MPBT101019381	MPBF101019381	0,17	0.36	
2 ¹ / ₂	MPBQ101019635			0,17	0.37								
21	170,42	6.709	171,60	6.756	80,90	3.185	30			MPBT10102130	MPBF10102130	0,27	0.59
							35			MPBT10102135	MPBF10102135	0,26	0.57
							40	MPBQ10102140	MPBT10102140	MPBF10102140	0,25	0.54	
							50			MPBT10102150	MPBF10102150	0,29	0.64
							60	MPBQ10102160			0,22	0.49	
							1 ³ / ₁₆			MPBT101021301	MPBF101021301	0,27	0.59
							1 ⁷ / ₁₆			MPBT101021365	MPBF101021365	0,25	0.56
							1 ¹ / ₂	MPBQ101021381	MPBT101021381	MPBF101021381	0,25	0.55	

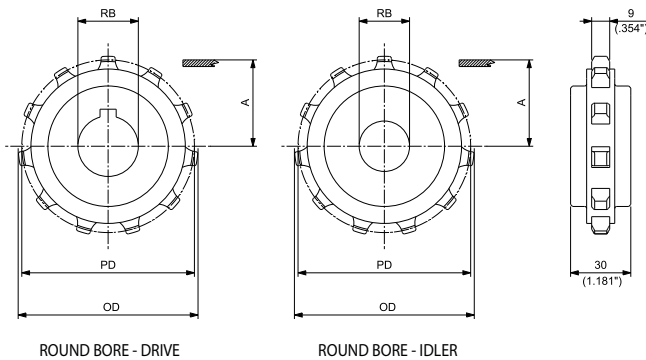
*In case of round bore, diameter is indicated. In case of square bore, side of the square is indicated.

SUITABLE FOR CHAINS:

- 1500
- 1600
- HF 1600
- HFS 1600
- RR 1500
- RR 1600
- 1110

MATERIALS

SPROCKETS: **PA** POLYAMIDE



MACHINED SOLID DRIVE AND IDLER SPROCKETS

N. TEETH	PITCH DIAMETER PD		OUTSIDE DIAMETER OD		WEAR STRIP POSITIONING A		BORE SIZE*		PART NUMBER ROUND BORE RB		WEIGHT	
	mm	inch	mm	inch	mm	inch	mm	inch**	DRIVE	IDLER	Kg	lbs
10	82,20	3.236	81,30	3.201	36,70	1.445	25		MPBAT10101025	MPBAF10101025	0,09	0.19
							30		MPBAT10101030	MPBAF10101030	0,08	0.18
								1	MPBAT101010254	MPBAF101010254	0,09	0.19
								1¼	MPBAT101010317	MPBAF101010317	0,08	0.17
								1½	MPBAT101010381	MPBAF101010381	0,07	0.14
11	90,16	3.550	89,60	3.528	40,70	1.602	25		MPBAT10101125	MPBAF10101125	0,11	0.25
							30		MPBAT10101130	MPBAF10101130	0,11	0.23
								1	MPBAT101011254	MPBAF101011254	0,11	0.25
								1¼	MPBAT101011317	MPBAF101011317	0,10	0.23
								1½	MPBAT101011381	MPBAF101011381	0,09	0.20

*Diameter is indicated.

** Imperial round bore drive sprockets are supplied with setscrew. Metric round bore drive sprockets are supplied without setscrew.

SUITABLE FOR CHAINS:

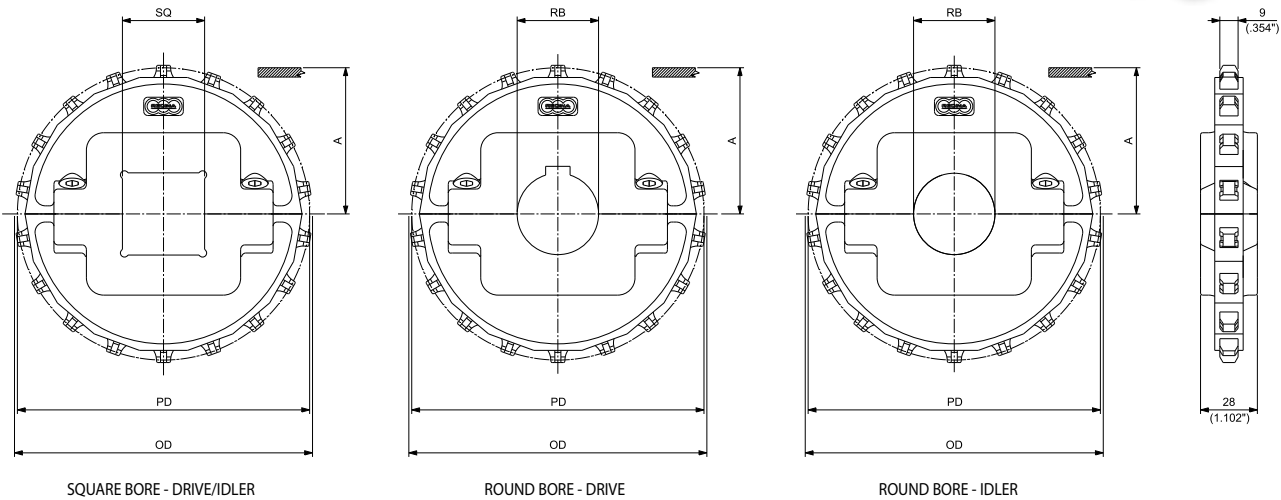
- 1500
- 1600
- HF 1600
- HFS 1600
- RR 1500
- RR 1600
- 1110

MATERIALS	
SPROCKETS:	PGF REINFORCED POLYAMIDE
SCREW:	SS STAINLESS STEEL
NUTS:	S+NC ZINC PLATED STEEL



16T & 18T SPROCKETS

(for 19T & 20T see next page)



SQUARE BORE - DRIVE/IDLER

ROUND BORE - DRIVE

ROUND BORE - IDLER

MOULDED SPLIT DRIVE AND IDLER SPROCKETS

N. TEETH	PITCH DIAMETER PD		OUTSIDE DIAMETER OD		WEAR STRIP POSITIONING A		BORE SIZE* mm inch**	PART NUMBER			WEIGHT	
	mm	inch	mm	inch	mm	inch		SQUARE BORE SQ DRIVE/IDLER	ROUND BORE RB		Kg	lbs
								DRIVE	IDLER			
16	130,20	5.126	130,10	5.122	60,70	2.390	30		MPBST10101630	MPBSF10101630	0,27	0.59
							35		MPBST10101635	MPBSF10101635	0,26	0.58
							40	MPBSQ10101640	MPBST10101640	MPBSF10101640	0,25	0.56
							45		MPBST10101645	MPBSF10101645	0,25	0.54
							50	MPBSQ10101650	MPBST10101650	MPBSF10101650	0,24	0.52
							60	MPBSQ10101660			0,19	0.42
							1		MPBST101016254	MPBSF101016254	0,27	0.61
							1 3/16		MPBST101016301	MPBSF101016301	0,27	0.59
							1 1/4		MPBST101016317	MPBSF101016317	0,27	0.59
							1 7/16		MPBST101016365	MPBSF101016365	0,26	0.57
1 1/2	MPBSQ101016381	MPBST101016381	MPBSF101016381	0,26	0.57							
18	146,27	5.759	146,50	5.768	68,80	2.709	30		MPBST10101830	MPBSF10101830	0,32	0.71
							35		MPBST10101835	MPBSF10101835	0,32	0.70
							40	MPBSQ10101840	MPBST10101840	MPBSF10101840	0,31	0.68
							45		MPBST10101845	MPBSF10101845	0,30	0.66
							50	MPBSQ10101850	MPBST10101850	MPBSF10101850	0,29	0.64
							60	MPBSQ10101860	MPBST10101860	MPBSF10101860	0,27	0.59
							1		MPBST101018254	MPBSF101018254	0,33	0.72
							1 3/16		MPBST101018301	MPBSF101018301	0,32	0.71
							1 1/4		MPBST101018317	MPBSF101018317	0,32	0.71
							1 7/16		MPBST101018365	MPBSF101018365	0,31	0.69
1 1/2	MPBSQ101018381	MPBST101018381	MPBSF101018381	0,31	0.69							
2		MPBST101018508	MPBSF101018508	0,29	0.63							

*In case of round bore, diameter is indicated. In case of square bore, side of the square is indicated.

** Imperial round bore drive sprockets are supplied with setscrew. Metric round bore drive sprockets are supplied without setscrew.

SUITABLE FOR CHAINS:

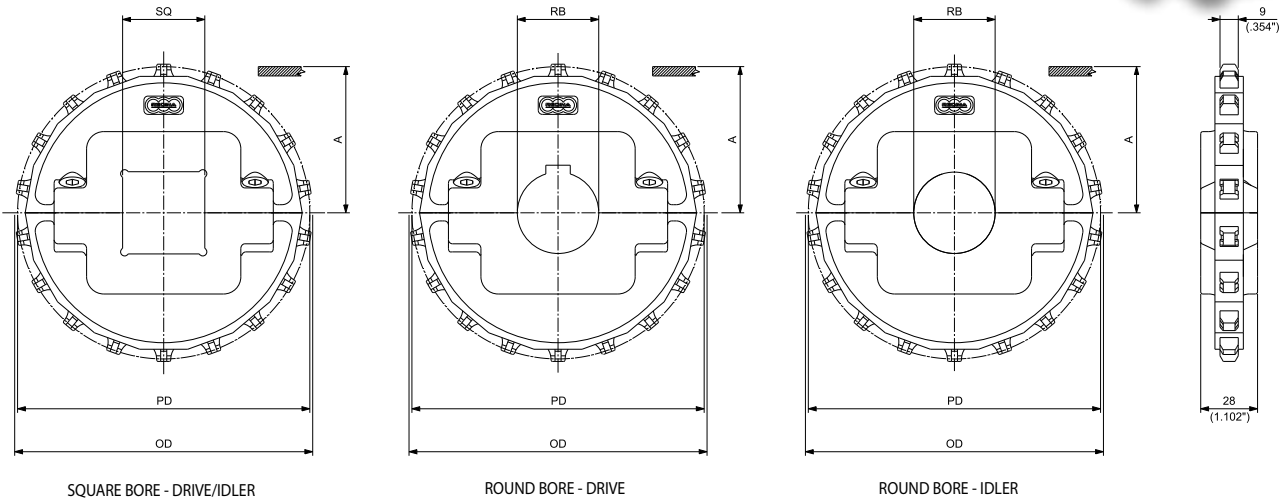
- 1500
- 1600
- HF 1600
- HFS 1600
- RR 1500
- RR 1600
- 1110

MATERIALS	
SPROCKETS:	PGF REINFORCED POLYAMIDE
SCREW:	SS STAINLESS STEEL
NUTS:	S+NC ZINC PLATED STEEL



19T & 20T SPROCKETS

(for 16T & 18T see previous page)



MOULDED SPLIT DRIVE AND IDLER SPROCKETS

N. TEETH	PITCH DIAMETER PD		OUTSIDE DIAMETER OD		WEAR STRIP POSITIONING A		BORE SIZE*		PART NUMBER			WEIGHT	
	mm	inch	mm	inch	mm	inch	mm	inch**	SQUARE BORE SQ DRIVE/IDLER	ROUND BORE RB DRIVE	ROUND BORE RB IDLER	Kg	lbs
19	154,32	6.076	154,60	6.087	72,80	2.866				MPBST10101930	MPBSF10101930	0,33	0.72
										MPBST10101935	MPBSF10101935	0,32	0.71
									MPBSQ10101940	MPBST10101940	MPBSF10101940	0,31	0.69
										MPBST10101945	MPBSF10101945	0,30	0.67
									MPBSQ10101950	MPBST10101950	MPBSF10101950	0,30	0.65
									MPBSQ10101960	MPBST10101960	MPBSF10101960	0,27	0.61
									1	MPBST101019254	MPBSF101019254	0,35	0.77
									1 3/16	MPBST101019301	MPBSF101019301	0,33	0.72
									1 1/4	MPBST101019317	MPBSF101019317	0,32	0.71
									1 7/16	MPBST101019365	MPBSF101019365	0,32	0.70
									1 1/2	MPBSQ101019381	MPBSF101019381	0,32	0.70
									2	MPBST101019508	MPBSF101019508	0,28	0.62
									2 1/2	MPBSQ101019635		0,25	0.54
									20	162,37	6.393	162,80	6.409
	MPBST10102035	MPBSF10102035	0,35	0.77									
MPBSQ10102040	MPBST10102040	MPBSF10102040	0,34	0.75									
	MPBST10102050	MPBSF10102050	0,32	0.71									
MPBSQ10102060	MPBST10102060	MPBSF10102060	0,30	0.66									
MPBSQ10102065		0,26	0.58										
1	MPBST101020254	MPBSF101020254	0,36	0.79									
1 3/16	MPBST101020301	MPBSF101020301	0,35	0.78									
1 1/4	MPBST101020317	MPBSF101020317	0,35	0.78									
1 7/16	MPBST101020365	MPBSF101020365	0,35	0.76									
1 1/2	MPBSQ101020381	MPBSF101020381	0,34	0.76									
2	MPBST101020508	MPBSF101020508	0,32	0.71									
2 1/2	MPBSQ101020635		0,27	0.59									

*In case of round bore, diameter is indicated. In case of square bore, side of the square is indicated.

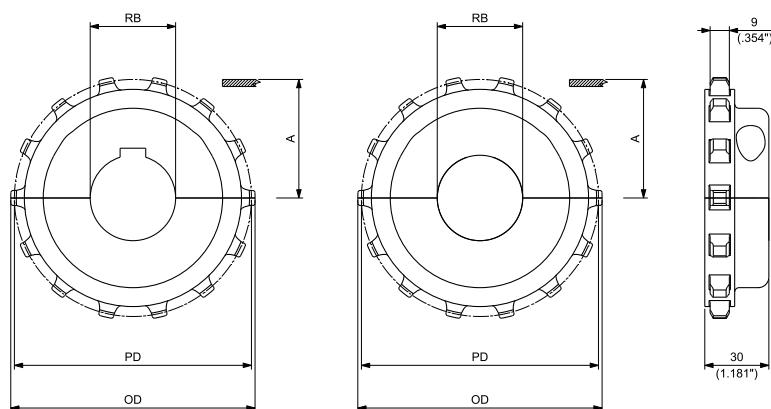
** Imperial round bore drive sprockets are supplied with setscrew. Metric round bore drive sprockets are supplied without setscrew.

SUITABLE FOR CHAINS:

- 1500
- 1600
- HF 1600
- HFS 1600
- RR 1500
- RR 1600
- 1110

MATERIALS

SPROCKETS:	PA	POLYAMIDE
SCREWS:	SS	STAINLESS STEEL
NUTS:	B	BRASS



ROUND BORE - DRIVE

ROUND BORE - IDLER



MOULDED SOLID IDLER WHEELS
SEE PAGE 123



MOULDED SPLIT IDLER WHEELS
SEE PAGE 186



MACHINED SPLIT IDLER WHEELS
SEE PAGE 125

MACHINED SPLIT DRIVE AND IDLER SPROCKETS

N. TEETH	PITCH DIAMETER PD		OUTSIDE DIAMETER OD		WEAR STRIP POSITIONING A		BORE SIZE*		PART NUMBER ROUND BORE RB		WEIGHT	
	mm	inch	mm	inch	mm	inch	mm	inch**	DRIVE	IDLER	Kg	lbs
14	114,15	4.494	114,40	4.504	52,70	2.075	25		MPBAST10101425	MPBASF10101425	0,26	0.57
							30		MPBAST10101430	MPBASF10101430	0,25	0.55
							35		MPBAST10101435	MPBASF10101435	0,24	0.53
							40		MPBAST10101440	MPBASF10101440	0,23	0.51
							1		MPBAST101014254	MPBASF101014254	0,26	0.56
							1 ³ / ₁₆		MPBAST101014301	MPBASF101014301	0,25	0.55
							1 ¹ / ₄		MPBAST101014317	MPBASF101014317	0,25	0.54
							1 ⁷ / ₁₆		MPBAST101014365	MPBASF101014365	0,24	0.52
							1 ¹ / ₂		MPBAST101014381	MPBASF101014381	0,23	0.52

*Diameter is indicated.

** Imperial round bore drive sprockets are supplied with setscrew. Metric round bore drive sprockets are supplied without setscrew.



PERFORMANCE IN MOTION

Matveyor[®]

3/4" Pitch Medium Duty Belts and Chains



INDUSTRIES AND APPLICATIONS

Suitable for handling loose & packaged products, such as plastic & glass bottles and aluminium & steel cans, in medium duty applications.

INDUSTRIES

Bottling and canning
 Food filling
 Container manufacturing
 Pharmaceutical
 Paper/cardboard
 Consumer goods

APPLICATIONS

Depalletizer
 Pressureless Inliners and Combiners
 Single lane & mass conveyors
 Accumulation tables
 Infeed packaging machines
 Case conveyors
 Palletizers

FEATURES

- Smooth and uniform top surface, thanks to location of retention clip underneath modules and reduced gaps between hinges.



- Maximized bottom sliding surface to guarantee limited wear.

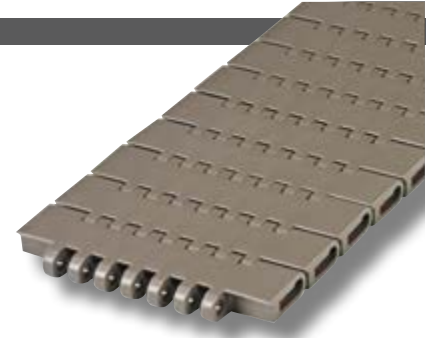
- The optimized design and location of retention clip, which can be easily rotated from both the bottom and the side of the belt, results in an easy belt assembly and disassembly.



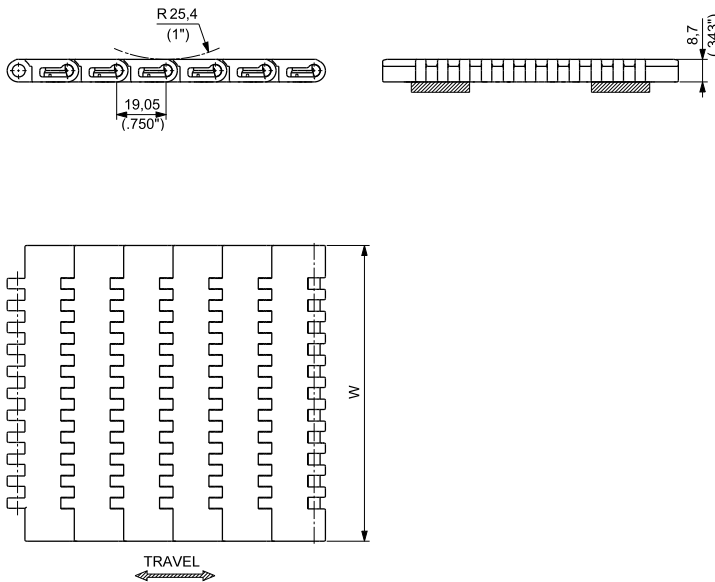
- The belts can be used on conveyors side by side with Magnetic or TAB sideflexing chains 782 or 783 series allowing a smooth products transfer between straight running and sideflexing conveyors.

8,7 mm (0.343") THICKNESS SOLID TOP

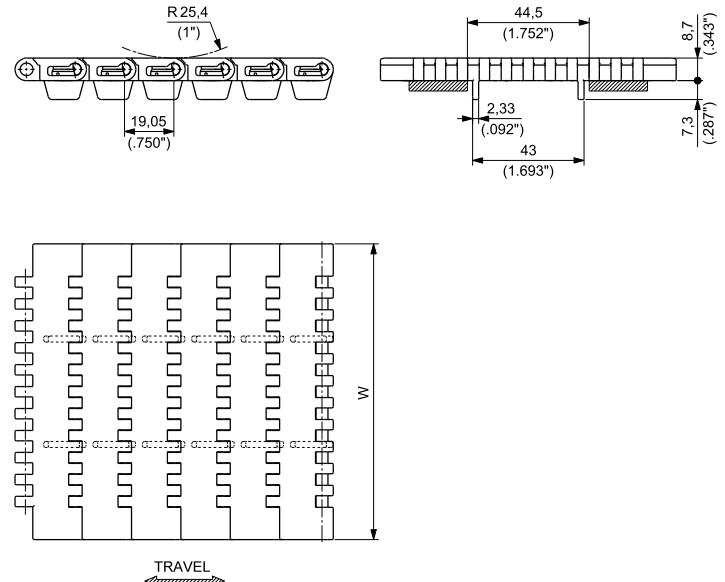
Extremely good flatness, manufacturing accuracy, and low coefficient of friction, make the side transfer of the products very easy. Completely closed surface, no gap between the modules, even when engaging on the sprockets.
Particularly suitable for glass products, small sized products and unstable containers (for example PET bottles with petaloid base).



VERSION WITHOUT TRACKING GUIDE



VERSION WITH TRACKING GUIDE



Materials
see page 12



Sprockets
see pages 220+222



Applications
see page 22

MATERIALS		VERSION	ITEM DESCRIPTION	PART NUMBER	WIDTH W		PLATE THICKNESS		WORKING LOAD (25°C/77°F)		WEIGHT	
Plate	Pin				mm	inch	mm	inch	N	lbs	kg/m	lbs/ft
ULTRA PERFORMANCE HOMOPOLYMER DELRIN® UP		WITHOUT TRACKING GUIDE	7300 UP 325	7300UPKD/000	82,6	3.25	8,7	0.343	2300	517	0,84	0.57
			7300 UP 450	7300UPKG/000	114,3	4.50	8,7	0.343	3290	740	1,15	0.77
			7300 UP 600	7300UPKH/000	152,4	6.00	8,7	0.343	4370	982	1,51	1.01
			7300 UP 750	7300UPKL/000	190,5	7.50	8,7	0.343	5450	1225	1,87	1.26
SPECIAL DELRIN® REINFORCED WITH KEVLAR® DK2	PBT		7300 D2K 325	7300D2KKD/000	82,6	3.25	8,7	0.343	2300	517	0,84	0.57
			7300 D2K 450	7300D2KKG/000	114,3	4.50	8,7	0.343	3290	740	1,15	0.77
			7300 D2K 600	7300D2KKH/000	152,4	6.00	8,7	0.343	4370	982	1,51	1.01
			7300 D2K 750	7300D2KKL/000	190,5	7.50	8,7	0.343	5450	1225	1,87	1.26
ECOLOGICAL FRICTION ABATING THERMOPLASTIC e-F.A.S.T.		7300 EF 325	7300EFKD/000	82,6	3.25	8,7	0.343	2300	517	0,84	0.57	
		7300 EF 450	7300EFGK/000	114,3	4.50	8,7	0.343	3290	740	1,15	0.77	
		7300 EF 600	7300EFKH/000	152,4	6.00	8,7	0.343	4370	982	1,51	1.01	
		7300 EF 750	7300EFKL/000	190,5	7.50	8,7	0.343	5450	1225	1,87	1.26	
ULTRA PERFORMANCE HOMOPOLYMER DELRIN® UP		WITH TRACKING GUIDE	7300G UP 325	7300GUPKD/000	82,6	3.25	8,7	0.343	2300	517	0,84	0.57
			7300G UP 450	7300GUPKG/000	114,3	4.50	8,7	0.343	3290	740	1,15	0.77
			7300G UP 600	7300GUPKH/000	152,4	6.00	8,7	0.343	4370	982	1,51	1.01
			7300G UP 750	7300GUPKL/000	190,5	7.50	8,7	0.343	5450	1225	1,87	1.26
SPECIAL DELRIN® REINFORCED WITH KEVLAR® DK2	PBT		7300G D2K 325	7300GD2KKD/000	82,6	3.25	8,7	0.343	2300	517	0,84	0.57
			7300G D2K 450	7300GD2KKG/000	114,3	4.50	8,7	0.343	3290	740	1,15	0.77
			7300G D2K 600	7300GD2KKH/000	152,4	6.00	8,7	0.343	4370	982	1,51	1.01
			7300G D2K 750	7300GD2KKL/000	190,5	7.50	8,7	0.343	5450	1225	1,87	1.26
ECOLOGICAL FRICTION ABATING THERMOPLASTIC e-F.A.S.T.		7300G EF 325	7300GEFKD/000	82,6	3.25	8,7	0.343	2300	517	0,84	0.57	
		7300G EF 450	7300GEFGK/000	114,3	4.50	8,7	0.343	3290	740	1,15	0.77	
		7300G EF 600	7300GEFKH/000	152,4	6.00	8,7	0.343	4370	982	1,51	1.01	
		7300G EF 750	7300GEFKL/000	190,5	7.50	8,7	0.343	5450	1225	1,87	1.26	

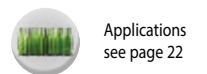
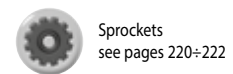
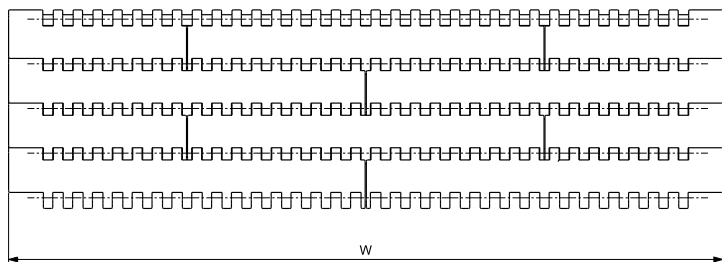
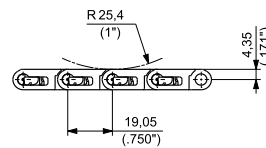
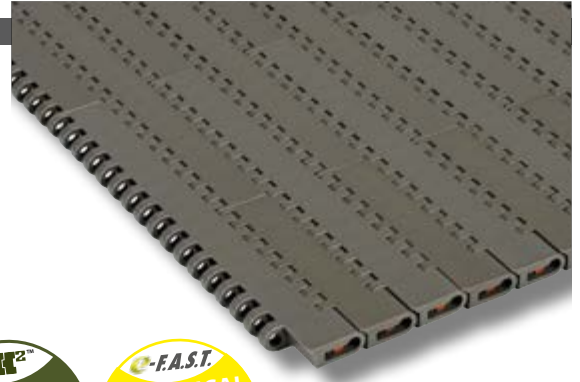


Standard packaging:
Rolls of 3,048 m (10 feet)

8,7 mm (0.343") THICKNESS SOLID TOP

This belt offers a smooth surface to provide excellent support and minimize product tippage. Particularly suitable for glass products, small sized products and unstable containers (for example PET bottles with petaloid base).

- **Belt widths:** 228,6 mm (9") or wider in 76,2 mm (3") increments
- **Working Load (at 25°C/77°F):** 30000 N/m (2,056 lbs/ft) for **UP**, **DL2** and **e-FAST** materials
- **Belt weight:** 9,36 kg/m² (1.92 lbs/ft²) for **UP**, **DL2** and **e-FAST** materials



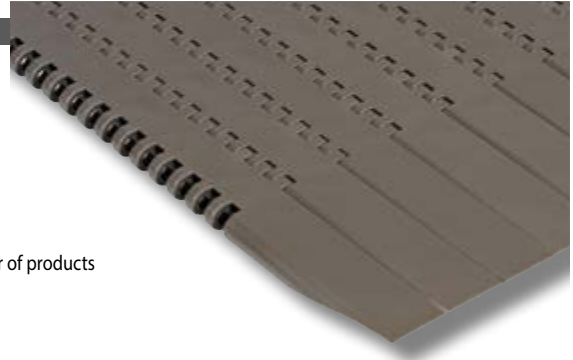
WIDTH W		MATERIALS			Pin
		Module			
mm	inch	UP ULTRA PERFORMANCE HOMOPOLYMER DELRIN®	DL2 SPECIAL DELRIN® REINFORCED WITH KEVLAR®	e-FAST ECOLOGICAL FRICTION ABATING THERMOPLASTIC	PBT
		PART NUMBER	PART NUMBER	PART NUMBER	
228,6	9	7300UP009	7300D2K009	7300EF009	
304,8	12	7300UP012	7300D2K012	7300EF012	
381,0	15	7300UP015	7300D2K015	7300EF015	
457,2	18	7300UP018	7300D2K018	7300EF018	
533,4	21	7300UP021	7300D2K021	7300EF021	
609,6	24	7300UP024	7300D2K024	7300EF024	
685,8	27	7300UP027	7300D2K027	7300EF027	
762,0	30	7300UP030	7300D2K030	7300EF030	
838,2	33	7300UP033	7300D2K033	7300EF033	
914,4	36	7300UP036	7300D2K036	7300EF036	
990,6	39	7300UP039	7300D2K039	7300EF039	
1066,8	42	7300UP042	7300D2K042	7300EF042	
1143,0	45	7300UP045	7300D2K045	7300EF045	
1219,2	48	7300UP048	7300D2K048	7300EF048	
1295,4	51	7300UP051	7300D2K051	7300EF051	
1371,6	54	7300UP054	7300D2K054	7300EF054	
1447,8	57	7300UP057	7300D2K057	7300EF057	
1524,0	60	7300UP060	7300D2K060	7300EF060	

Belts wider than 1524 mm (60") are available in 76,2 mm (3") increments.
To identify the Part Numbers, please substitute the last three digits of the PN with the desired width.
Example: for a 63" wide belt (=60+3 inches) the PN for UP material is "7300UP063".
On request belts available in 1/8" (8,5 mm) increments, starting from 9" (228,6 mm).

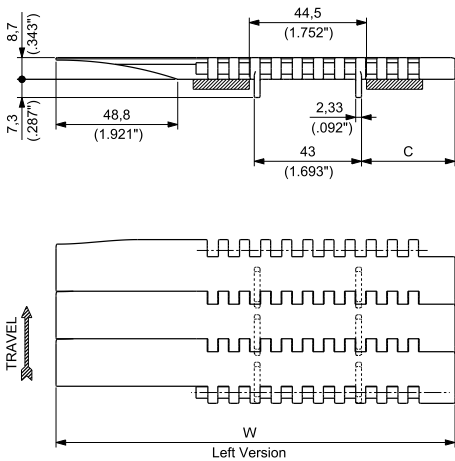


Standard packaging:
Belts are supplied in the length requested by the customer.

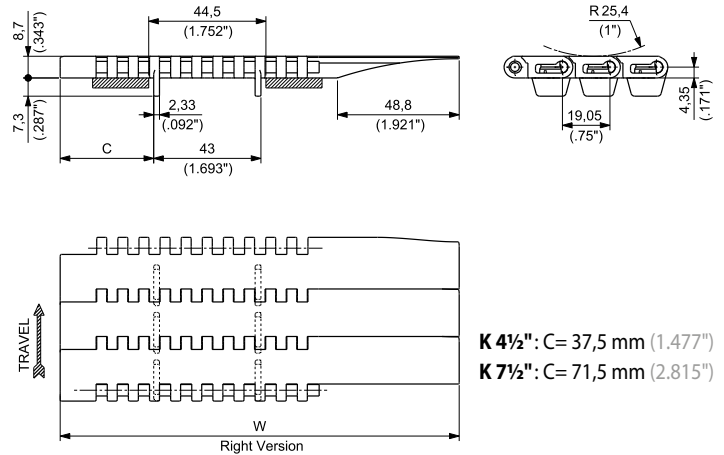
ACTIVE TRANSFER MODULES 8,7 mm (0.343") THICKNESS SOLID TOP



7300G ATM can be used in combination with 7300 modular belts. Active transfer modules 7300G ATM allow the transfer of products between two 90° conveyor tracks without using dead plates. The special wing shaped module profile supports the products dynamically during transfer on the take-away belts. Available left and right version.



K 4½": C = 37,5 mm (1.477")
K 7½": C = 71,5 mm (2.815")



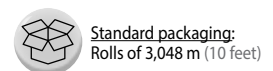
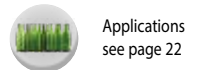
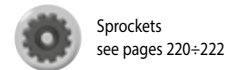
K 4½": C = 37,5 mm (1.477")
K 7½": C = 71,5 mm (2.815")

7300G ATM - Left Version

MATERIALS		ITEM DESCRIPTION	PART NUMBER	WIDTH W		PLATE THICKNESS		WORKING LOAD (25°C/77°F)		WEIGHT	
Plate	Pin			mm	inch	mm	inch	N	lbs	kg/m	lbs/ft
ULTRA PERFORMANCE HOMOPOLYMER DELRIN® UP		7300GATM UP 450 SX	7300GATMUP450LH	160,0	6.30	8,7	0.343	3290	740	1,28	0.86
		7300GATM UP 750 SX	7300GATMUP750LH	236,2	9.30	8,7	0.343	4370	982	1,99	1.34
SPECIAL DELRIN® REINFORCED WITH KEVLAR® DK2	PBT	7300GATM D2K 450 SX	7300GATMD2K450LH	160,0	6.30	8,7	0.343	3290	740	1,28	0.86
		7300GATM D2K 750 SX	7300GATMD2K750LH	236,2	9.30	8,7	0.343	4370	982	1,99	1.34
ECOLOGICAL FRICTION ABATING THERMOPLASTIC e-FAST	NEW	7300GATM EF 450 SX	7300GATMEF450LH	160,0	6.30	8,7	0.343	3290	740	1,28	0.86
		7300GATM EF 750 SX	7300GATMEF750LH	236,2	9.30	8,7	0.343	4370	982	1,99	1.34

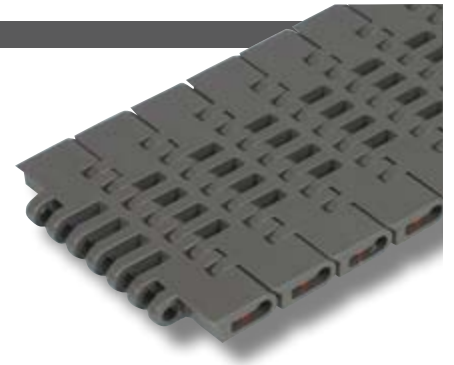
7300G ATM - Right Version

MATERIALS		ITEM DESCRIPTION	PART NUMBER	WIDTH W		PLATE THICKNESS		WORKING LOAD (25°C/77°F)		WEIGHT	
Plate	Pin			mm	inch	mm	inch	N	lbs	kg/m	lbs/ft
ULTRA PERFORMANCE HOMOPOLYMER DELRIN® UP		7300GATM UP 450 DX	7300GATMUP450RH	160,0	6.30	8,7	0.343	3290	740	1,28	0.86
		7300GATM UP 750 DX	7300GATMUP750RH	236,2	9.30	8,7	0.343	4370	982	1,99	1.34
SPECIAL DELRIN® REINFORCED WITH KEVLAR® DK2	PBT	7300GATM D2K 450 DX	7300GATMD2K450RH	160,0	6.30	8,7	0.343	3290	740	1,28	0.86
		7300GATM D2K 750 DX	7300GATMD2K750RH	236,2	9.30	8,7	0.343	4370	982	1,99	1.34
ECOLOGICAL FRICTION ABATING THERMOPLASTIC e-FAST	NEW	7300GATM EF 450 DX	7300GATMEF450RH	160,0	6.30	8,7	0.343	3290	740	1,28	0.86
		7300GATM EF 750 DX	7300GATMEF750RH	236,2	9.30	8,7	0.343	4370	982	1,99	1.34

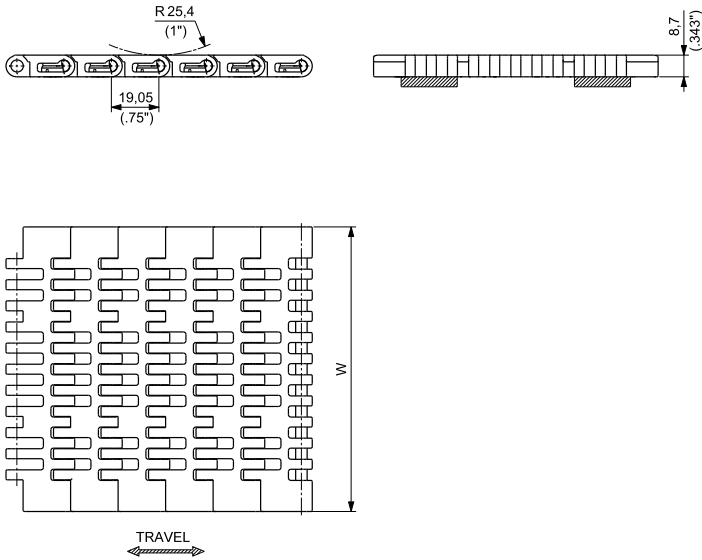


8,7 mm (0.343") THICKNESS FLUSH GRID

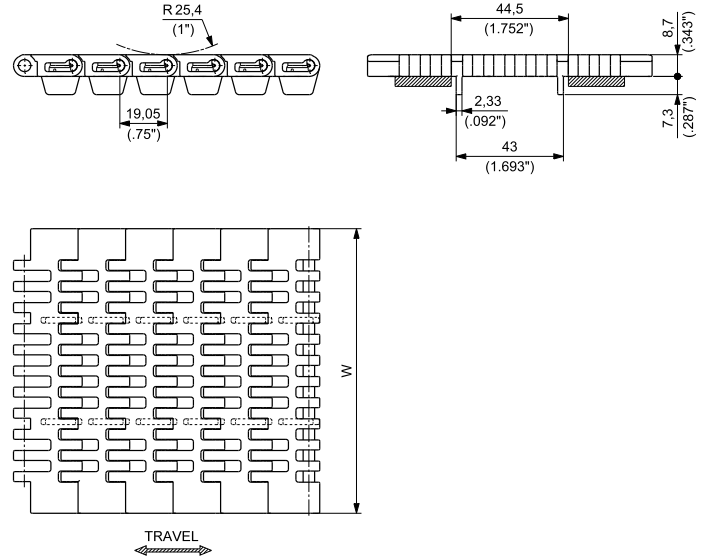
This belt has an excellent combination of open and support areas to allow drainage of liquids and good support of the conveyed product. This belt is particularly suitable for conveying of aluminium cans.



VERSION WITHOUT TRACKING GUIDE



VERSION WITH TRACKING GUIDE



Materials
see page 12



Sprockets
see pages 220÷222



Applications
see page 22

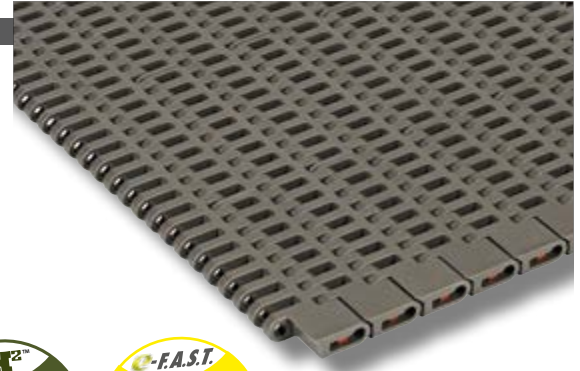
MATERIALS		VERSION	ITEM DESCRIPTION	PART NUMBER	WIDTH W		PLATE THICKNESS		WORKING LOAD (25°C/77°F)		WEIGHT	
Plate	Pin				mm	inch	mm	inch	N	lbs	kg/m	lbs/ft
ULTRA PERFORMANCE HOMOPOLYMER DELRIN® UP			7200 UP 325	7200UPKD/000	82,6	3.25	8,7	0.343	2300	517	0,80	0.54
			7200 UP 450	7200UPKG/000	114,3	4.50	8,7	0.343	3290	740	1,08	0.72
			7200 UP 600	7200UPKH/000	152,4	6.00	8,7	0.343	4370	982	1,41	0.95
			7200 UP 750	7200UPKL/000	190,5	7.50	8,7	0.343	5450	1225	1,74	1.17
SPECIAL DELRIN® REINFORCED WITH KEVLAR® DK2	PBT	WITHOUT TRACKING GUIDE	7200 D2K 325	7200D2KKD/000	82,6	3.25	8,7	0.343	2300	517	0,80	0.54
			7200 D2K 450	7200D2KKG/000	114,3	4.50	8,7	0.343	3290	740	1,08	0.72
			7200 D2K 600	7200D2KKH/000	152,4	6.00	8,7	0.343	4370	982	1,41	0.95
			7200 D2K 750	7200D2KKL/000	190,5	7.50	8,7	0.343	5450	1225	1,74	1.17
NEW ECOLOGICAL FRICTION ABATING THERMOPLASTIC e-F.A.S.T.			7200 EF 325	7200EFKD/000	82,6	3.25	8,7	0.343	2300	517	0,80	0.54
			7200 EF 450	7200EFKG/000	114,3	4.50	8,7	0.343	3290	740	1,08	0.72
			7200 EF 600	7200EFKH/000	152,4	6.00	8,7	0.343	4370	982	1,41	0.95
			7200 EF 750	7200EFKL/000	190,5	7.50	8,7	0.343	5450	1225	1,74	1.17
ULTRA PERFORMANCE HOMOPOLYMER DELRIN® UP			7200G UP 325	7200GUPKD/000	82,6	3.25	8,7	0.343	2300	517	0,80	0.54
			7200G UP 450	7200GUPKG/000	114,3	4.50	8,7	0.343	3290	740	1,08	0.72
			7200G UP 600	7200GUPKH/000	152,4	6.00	8,7	0.343	4370	982	1,41	0.95
			7200G UP 750	7200GUPKL/000	190,5	7.50	8,7	0.343	5450	1225	1,74	1.17
SPECIAL DELRIN® REINFORCED WITH KEVLAR® DK2	PBT	WITH TRACKING GUIDE	7200G D2K 325	7200GD2KKD/000	82,6	3.25	8,7	0.343	2300	517	0,80	0.54
			7200G D2K 450	7200GD2KKG/000	114,3	4.50	8,7	0.343	3290	740	1,08	0.72
			7200G D2K 600	7200GD2KKH/000	152,4	6.00	8,7	0.343	4370	982	1,41	0.95
			7200G D2K 750	7200GD2KKL/000	190,5	7.50	8,7	0.343	5450	1225	1,74	1.17
NEW ECOLOGICAL FRICTION ABATING THERMOPLASTIC e-F.A.S.T.			7200G EF 325	7200GEFKD/000	82,6	3.25	8,7	0.343	2300	517	0,80	0.54
			7200G EF 450	7200GEFKG/000	114,3	4.50	8,7	0.343	3290	740	1,08	0.72
			7200G EF 600	7200GEFKH/000	152,4	6.00	8,7	0.343	4370	982	1,41	0.95
			7200G EF 750	7200GEFKL/000	190,5	7.50	8,7	0.343	5450	1225	1,74	1.17



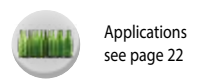
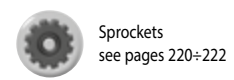
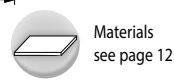
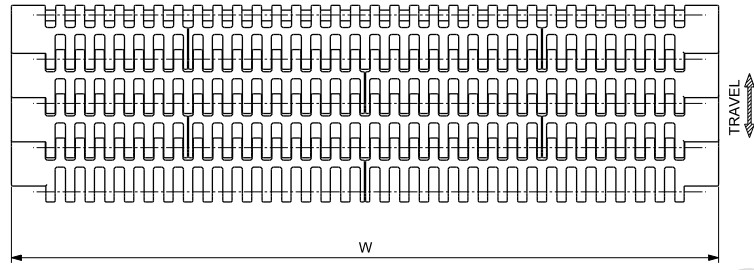
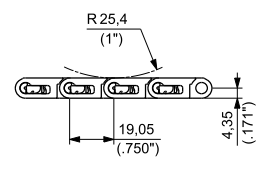
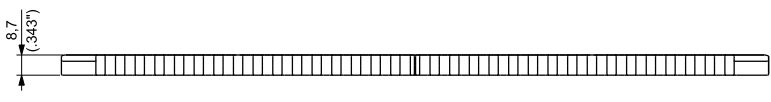
Standard packaging:
Rolls of 3,048 m (10 feet)

8,7 mm (0.343") THICKNESS FLUSH GRID

This belt has an excellent combination of open and support areas to allow drainage of liquids and good support of the conveyed product. This belt is particularly suitable for conveying of aluminium cans.



- **Belt widths:** 228,6 mm (9") or wider in 76,2 mm (3") increments
- **Working Load (at 25°C/77°F):** 30000 N/m (2,056 lbs/ft) for **UP**, **DK²** and **e-F.A.S.T.** materials
- **Belt weight:** 8,46 kg/m² (1.73 lbs/ft²) for **UP**, **DK²** and **e-F.A.S.T.** materials



WIDTH W		MATERIALS			Pin
		Module			
mm	inch	UP	DK ²	NEW e-F.A.S.T.	PBT
		ULTRA PERFORMANCE HOMOPOLYMER DELRIN®	SPECIAL DELRIN® REINFORCED WITH KEVLAR®	ECOLOGICAL FRICTION ABATING THERMOPLASTIC	
		PART NUMBER	PART NUMBER		
228,6	9	7200UP009	7200D2K009	7200EF009	PBT
304,8	12	7200UP012	7200D2K012	7200EF012	
381,0	15	7200UP015	7200D2K015	7200EF015	
457,2	18	7200UP018	7200D2K018	7200EF018	
533,4	21	7200UP021	7200D2K021	7200EF021	
609,6	24	7200UP024	7200D2K024	7200EF024	
685,8	27	7200UP027	7200D2K027	7200EF027	
762,0	30	7200UP030	7200D2K030	7200EF030	
838,2	33	7200UP033	7200D2K033	7200EF033	
914,4	36	7200UP036	7200D2K036	7200EF036	
990,6	39	7200UP039	7200D2K039	7200EF039	
1066,8	42	7200UP042	7200D2K042	7200EF042	
1143,0	45	7200UP045	7200D2K045	7200EF045	
1219,2	48	7200UP048	7200D2K048	7200EF048	
1295,4	51	7200UP051	7200D2K051	7200EF051	
1371,6	54	7200UP054	7200D2K054	7200EF054	
1447,8	57	7200UP057	7200D2K057	7200EF057	
1524,0	60	7200UP060	7200D2K060	7200EF060	

Belts wider than 1524 mm (60") are available in 76,2 mm (3") increments.
To identify the Part Numbers, please substitute the last three digits of the PN with the desired width.
Example: for a 63" wide belt (=60+3 inches) the PN for UP material is "7200UP063".
On request belts available in 1/8" (8,5 mm) increments, starting from 9" (228,6 mm).



Standard packaging:
Belts are supplied in the length requested by the customer.

SUITABLE FOR CHAINS:

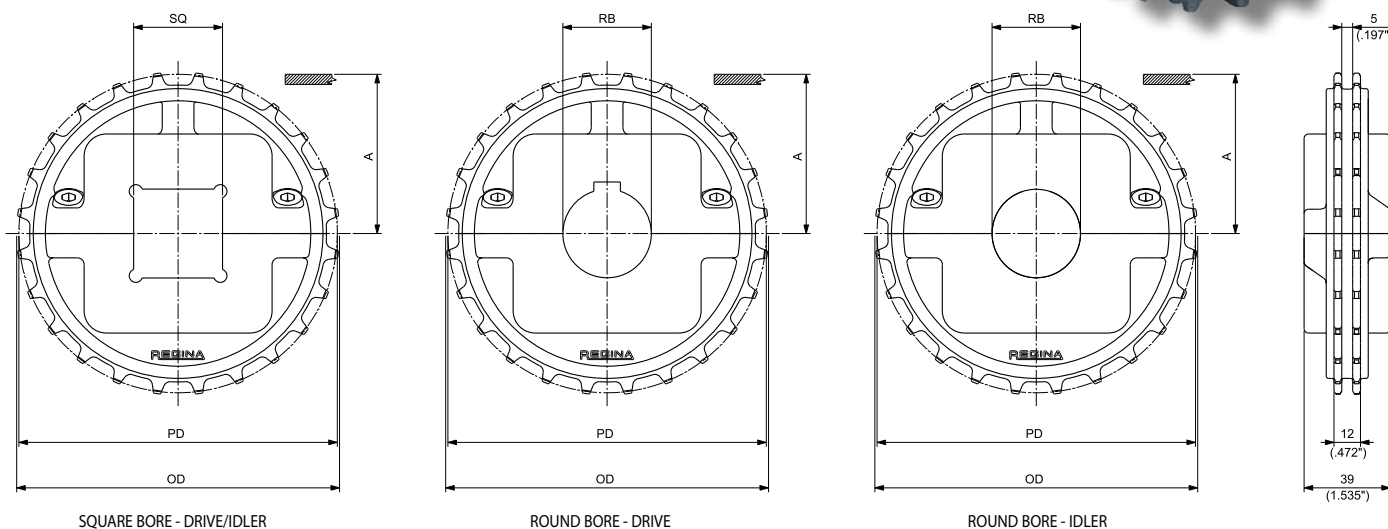
- 7200
- 7300

MATERIALS	
SPROCKETS:	PGF REINFORCED POLYAMIDE
SCREW:	SS STAINLESS STEEL
NUTS:	S+ZN ZINC PLATED STEEL



24T & 25T SPROCKETS

(for 27T see next page)



SQUARE BORE - DRIVE/IDLER

ROUND BORE - DRIVE

ROUND BORE - IDLER

MOULDED SPLIT DRIVE AND IDLER SPROCKETS

N. TEETH	PITCH DIAMETER PD		OUTSIDE DIAMETER OD		WEAR STRIP POSITIONING A		BORE SIZE*		PART NUMBER			WEIGHT										
	mm	inch	mm	inch	mm	inch	mm	inch**	SQUARE BORE SQ DRIVE/IDLER	ROUND BORE RB DRIVE	ROUND BORE RB IDLER	Kg	lbs									
24	145,95	5.746	146,00	5.748	68,60	2.701				MPBST73002430	MPBSF73002430	0,41	0.91									
										MPBST73002435	MPBSF73002435	0,41	0.90									
									MPBSQ73002440	MPBST73002440	MPBSF73002440	0,40	0.88									
										MPBST73002445	MPBSF73002445	0,39	0.86									
									MPBSQ73002450	MPBST73002450	MPBSF73002450	0,38	0.83									
										MPBST73002460	MPBSF73002460	0,35	0.78									
									MPBSQ730024254	MPBST730024254	MPBSF730024254	0,42	0.93									
									1 3/16	MPBST730024301	MPBSF730024301	0,41	0.91									
									1 1/4	MPBST730024317	MPBSF730024317	0,41	0.91									
									1 7/16	MPBST730024365	MPBSF730024365	0,40	0.89									
									1 1/2	MPBSQ730024381	MPBST730024381	MPBSF730024381	0,40	0.88								
									2	MPBSQ730024508	MPBST730024508	MPBSF730024508	0,38	0.83								
									2 1/2	MPBSQ730024635	MPBST730024635	MPBSF730024635	0,34	0.76								
									25	152,99	6.023	152,00	5.984	71,70	2.823				MPBST73002530	MPBSF73002530	0,43	0.94
																			MPBST73002535	MPBSF73002535	0,42	0.93
MPBSQ73002540	MPBST73002540	MPBSF73002540	0,41	0.91																		
	MPBST73002545	MPBSF73002545	0,40	0.89																		
MPBSQ73002550	MPBST73002550	MPBSF73002550	0,39	0.86																		
	MPBST73002560	MPBSF73002560	0,37	0.81																		
MPBSQ730025254	MPBST730025254	MPBSF730025254	0,43	0.96																		
1 3/16	MPBST730025301	MPBSF730025301	0,43	0.94																		
1 1/4	MPBST730025317	MPBSF730025317	0,43	0.94																		
1 7/16	MPBST730025365	MPBSF730025365	0,42	0.92																		
1 1/2	MPBSQ730025381	MPBST730025381	MPBSF730025381	0,42	0.92																	
2	MPBSQ730025508	MPBST730025508	MPBSF730025508	0,39	0.86																	
2 1/2	MPBSQ730025635	MPBST730025635	MPBSF730025635	0,36	0.79																	

*In case of round bore, diameter is indicated. In case of square bore, side of the square is indicated.

** Imperial round bore drive sprockets are supplied with setscrew. Metric round bore drive sprockets are supplied without setscrew.

SUITABLE FOR CHAINS:

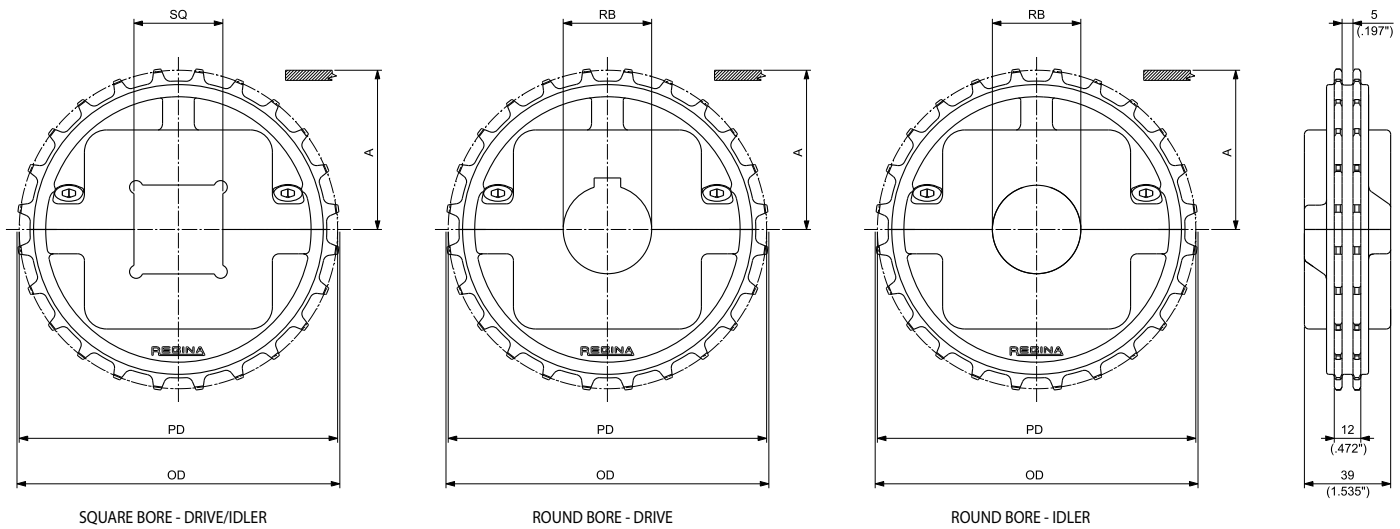
- 7200
- 7300

MATERIALS	
SPROCKETS:	PGF REINFORCED POLYAMIDE
SCREW:	SS STAINLESS STEEL
NUTS:	S+ZN ZINC PLATED STEEL



27T SPROCKET

(for 24T & 25T see previous page)



MOULDED SOLID IDLER WHEELS
SEE PAGE 123



MOULDED SPLIT IDLER WHEELS
SEE PAGE 186



MACHINED SPLIT IDLER WHEELS
SEE PAGE 125

MOULDED SPLIT DRIVE AND IDLER SPROCKETS

N. TEETH	PITCH DIAMETER PD		OUTSIDE DIAMETER OD		WEAR STRIP POSITIONING A		BORE SIZE*		PART NUMBER			WEIGHT	
	mm	inch	mm	inch	mm	inch	mm	inch**	SQUARE BORE SQ DRIVE/IDLER	ROUND BORE RB DRIVE	ROUND BORE RB IDLER	Kg	lbs
27	164,09	6.460	164,20	6.465	77,70	3.059	30		MPBST73002730	MPBSF73002730	0,46	1.01	
							35		MPBST73002735	MPBSF73002735	0,45	0.99	
							40		MPBSQ73002740	MPBST73002740	MPBSF73002740	0,44	0.97
							45		MPBST73002745	MPBSF73002745	0,43	0.95	
							50		MPBSQ73002750	MPBST73002750	MPBSF73002750	0,42	0.93
							60		MPBST73002760	MPBSF73002760	0,40	0.87	
							1		MPBSQ730027254	MPBST730027254	MPBSF730027254	0,46	1.02
							1 3/16		MPBST730027301	MPBSF730027301	0,46	1.01	
							1 1/4		MPBST730027317	MPBSF730027317	0,46	1.01	
							1 7/16		MPBST730027365	MPBSF730027365	0,45	0.99	
							1 1/2		MPBSQ730027381	MPBST730027381	MPBSF730027381	0,45	0.98
							2		MPBSQ730027508	MPBST730027508	MPBSF730027508	0,42	0.93
							2 1/2		MPBSQ730027635	MPBST730027635	MPBSF730027635	0,39	0.85

*In case of round bore, diameter is indicated. In case of square bore, side of the square is indicated.

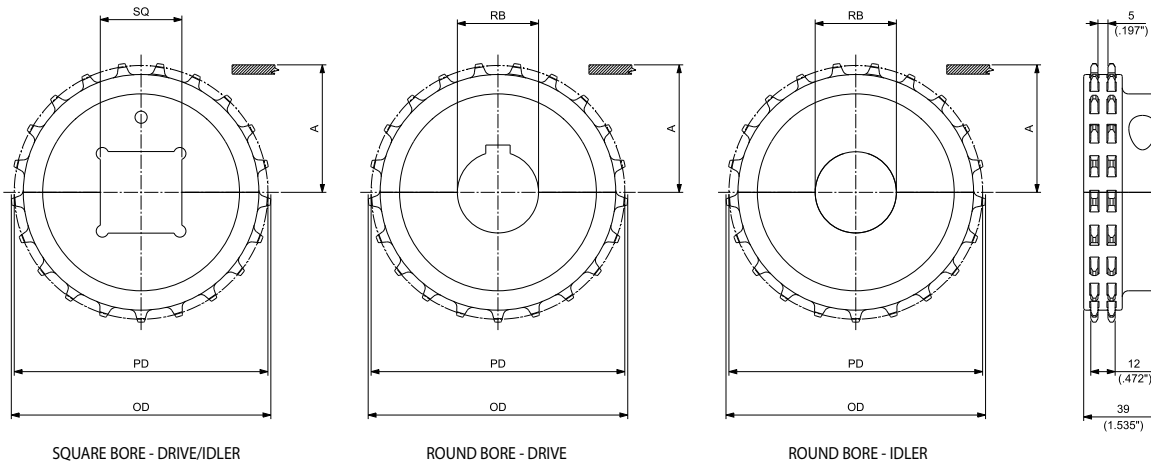
** Imperial round bore drive sprockets are supplied with setscrew. Metric round bore drive sprockets are supplied without setscrew.

SUITABLE FOR CHAINS:

- 7200
- 7300

MATERIALS

SPROCKETS:	PA	POLYAMIDE
SCREWS:	SS	STAINLESS STEEL
NUTS:	B	BRASS



MACHINED SPLIT DRIVE AND IDLER SPROCKETS

N. TEETH	PITCH DIAMETER PD		OUTSIDE DIAMETER OD		WEAR STRIP POSITIONING A		BORE SIZE*		PART NUMBER			WEIGHT	
	mm	inch	mm	inch	mm	inch	mm	inch**	SQUARE BORE SQ	ROUND BORE RB		Kg	lbs
									DRIVE/IDLER	DRIVE	IDLER		
17	103,67	4.081	103,60	4.079	47,50	1.870	25			MPBAST73001725	MPBASQ73001725	0,25	0.54
							30			MPBAST73001730	MPBASQ73001730	0,24	0.52
							35			MPBAST73001735	MPBASQ73001735	0,23	0.50
							40			MPBAST73001740	MPBASQ73001740	0,21	0.47
							1			MPBAST730017254	MPBASQ730017254	0,25	0.54
							1 1/16			MPBAST730017301	MPBASQ730017301	0,24	0.52
							1 1/4			MPBAST730017317	MPBASQ730017317	0,23	0.52
							1 3/8			MPBAST730017349	MPBASQ730017349	0,23	0.50
							1 7/16			MPBAST730017365	MPBASQ730017365	0,22	0.49
							1 1/2			MPBAST730017381	MPBASQ730017381	0,22	0.48
21	127,82	5.032	127,90	5.035	59,60	2.346	25			MPBAST73002125	MPBASQ73002125	0,42	0.92
							30			MPBAST73002130	MPBASQ73002130	0,41	0.90
							35			MPBAST73002135	MPBASQ73002135	0,40	0.88
							40			MPBAST73002140	MPBASQ73002140	0,39	0.85
							45			MPBAST73002145	MPBASQ73002145	0,37	0.82
							50			MPBAST73002150	MPBASQ73002150	0,35	0.78
							60			MPBAST73002160	MPBASQ73002160	0,32	0.69
							1			MPBAST730021254	MPBASQ730021254	0,42	0.92
							1 1/16			MPBAST730021301	MPBASQ730021301	0,41	0.90
							1 1/4			MPBAST730021317	MPBASQ730021317	0,41	0.90
							1 3/8			MPBAST730021349	MPBASQ730021349	0,40	0.88
							1 7/16			MPBAST730021365	MPBASQ730021365	0,39	0.87
							1 1/2			MPBAST730021381	MPBASQ730021381	0,39	0.86
2			MPBAST730021508	MPBASQ730021508	0,35	0.77							

*In case of round bore, diameter is indicated. In case of square bore, side of the square is indicated.

**Imperial round bore drive sprockets are supplied with setscrew. Metric round bore drive sprockets are supplied without setscrew.



PERFORMANCE IN MOTION

Matveyor[®]

1" Pitch Heavy Duty Belts and Chains



INDUSTRIES AND APPLICATIONS

Suitable for handling loose and packaged products, such as glass bottles, aluminium & steel cans, in heavy duty applications

INDUSTRIES

Bottling and canning
 Container manufacturing
 (in particular glass bottles)
 Paper/cardboard

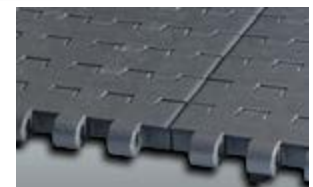
APPLICATIONS

Depalletizer
 Pressureless Inliners and Combiners
 Single lane & mass conveyors
 Accumulation tables
 Case conveyors
 Palletizers



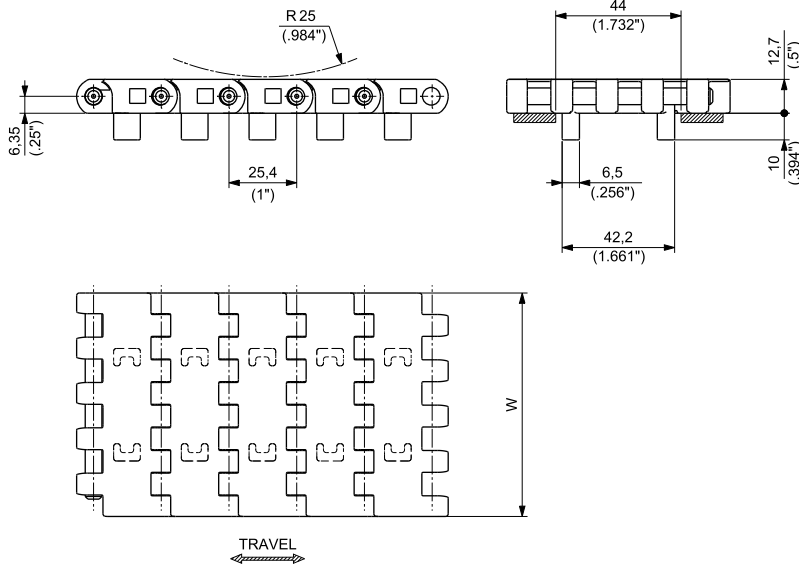
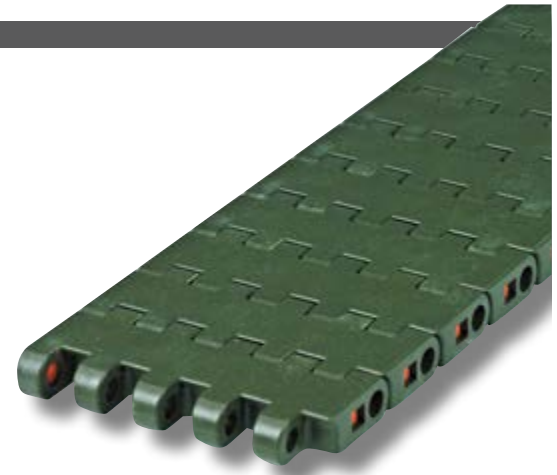
FEATURES

- Strong hinge design ensure high mechanical strength for the most demanding applications.
- Round design edge and no gap between hinges allow a superior product handling in linear and side transfer of the products.
- Large and close bottom sliding surface with strong edges allow:
 - Higher belt wear resistance thanks to the less specific pressure between belt and wear strips
 - Maximum resistance against broken debris present on the line
- The belts can be used on conveyors side by side with Magnetic or TAB sideflexing chains 793 series allowing a smooth products transfer between straight running and sideflexing conveyors.
- Availability of LBP version (LBP USPM and LBP XSPM series), equipped with superior rotation capability rollers, to safely handle packaged products in long center to center accumulation conveyors.
- Rubberized belts available (HF USPM series) displaying maximum and inform rubberized area allowing outstanding gripping capacity on the conveyed products.



12,7 mm (0.5") THICKNESS SOLID TOP

The extremely good flatness, manufacturing accuracy and low coefficient of friction make the side transfer of the products very easy. Completely closed surface, no gap between the modules, even when engaging on the sprockets. Particularly suitable for glass products, small sized products and unstable containers (for example PET bottles with petaloid base)



Materials
see page 12



Sprockets
see pages 241+243



Applications
see page 22

MATERIALS		ITEM DESCRIPTION	PART NUMBER	WIDTH W		PLATE THICKNESS		WORKING LOAD (25°C/77°F)		WEIGHT	
Plate	Pin			mm	inch	mm	inch	N	lbs	kg/m	lbs/ft
ULTRA PERFORMANCE HOMOPOLYMER DELRIN® UP		USPMG UP K 83,8	USPMGUPKRA/000	83,8	3.30	12,7	0.50	2975	670	1,24	0.83
SPECIAL DELRIN® REINFORCED WITH KEVLAR® DK2	PBT	USPMG D2K K 83,8	USPMGD2KRA/000	83,8	3.30	12,7	0.50	2975	670	1,24	0.68
ABRASION RESISTANT POLYAMIDE ⁽¹⁾ AR		USPMG AR K 83,8	USPMGARKRA/000	83,8	3.30	12,7	0.50	2975	670	1,19	0.80

⁽¹⁾ ACTUAL WIDTH CAN BE UP TO 0,5% GREATER THAN NOMINAL WIDTH



Standard packaging:
Rolls of 3,048 m (10 feet)

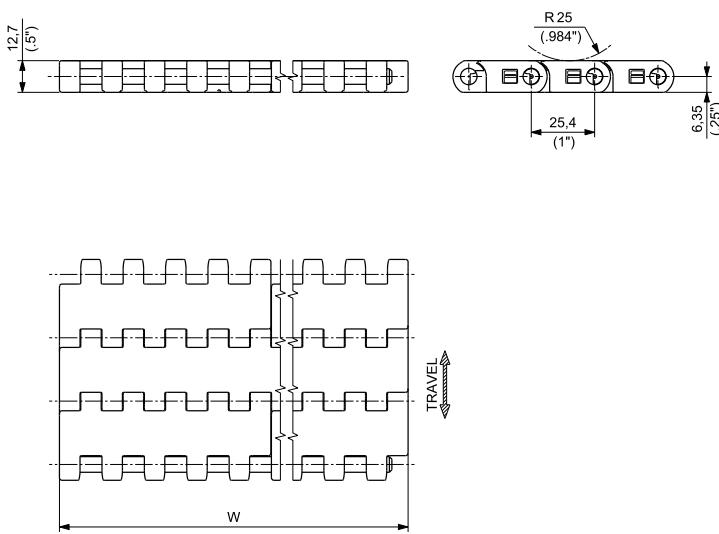
12,7 mm (0.5") THICKNESS SOLID TOP

Extremely good flatness, manufacturing accuracy and low coefficient of friction make the side transfer of the products very easy.
Completely closed surface, no gap between the modules, even when engaging on the sprockets. Particular suitable for glass products, small sized products and unstable containers (for example PET bottles with petaloid base)

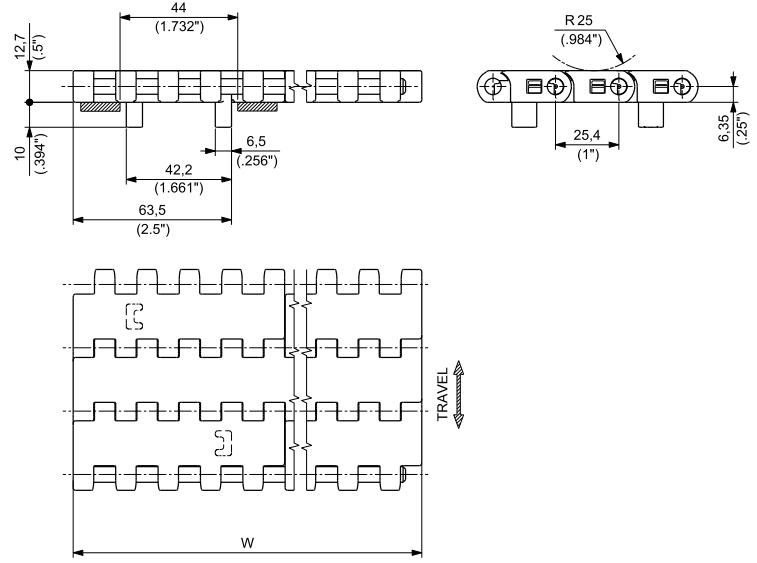
- Belt widths: 85 mm (3.34") or wider in 85 mm (3.34") increments
- Working Load (at 25°C/77°F): 35000 N/m (2400 lbs/ft) for **UP**, **DK2** and **AR** materials
- Belt weight: 14,11 kg/m² (2.89 lbs/ft²) for **UP** and **DK2** materials
13,59 kg/m² (2.78 lbs/ft²) for **AR** material



VERSION WITHOUT TRACKING GUIDE



VERSION WITH TRACKING GUIDE



NOTE: The belt is also available with single tracking guide at both belt sides. Please contact REGINA customer service for further information.



Materials see page 12



Sprockets see pages 241-243



Applications see page 22

WIDTH W	MATERIALS							Pin
	Module						PBT	
	UP ULTRA PERFORMANCE HOMOPOLYMER DELRIN®		DK2 SPECIAL DELRIN® REINFORCED WITH KEVLAR®		AR ABRASION RESISTANT POLYAMIDE ⁽¹⁾			
	PART NUMBER		PART NUMBER		PART NUMBER			
mm	inch	WITHOUT TRACKING GUIDE	WITH TRACKING GUIDE	WITHOUT TRACKING GUIDE	WITH TRACKING GUIDE	WITHOUT TRACKING GUIDE	WITH TRACKING GUIDE	
85	3.34	USPMUP0085	USPMGUP0085	USPMD2K0085	USPMGD2K0085	USPMAR0085	USPMGAR0085	
170	6.69	USPMUP0170	USPMG1UP0170	USPMD2K0170	USPMG1D2K0170	USPMAR0170	USPMG1AR0170	
255	10.04	USPMUP0255	USPMG1UP0255	USPMD2K0255	USPMG1D2K0255	USPMAR0255	USPMG1AR0255	
340	13.39	USPMUP0340	USPMG1UP0340	USPMD2K0340	USPMG1D2K0340	USPMAR0340	USPMG1AR0340	
425	16.73	USPMUP0425	USPMG1UP0425	USPMD2K0425	USPMG1D2K0425	USPMAR0425	USPMG1AR0425	
510	20.08	USPMUP0510	USPMG1UP0510	USPMD2K0510	USPMG1D2K0510	USPMAR0510	USPMG1AR0510	
595	23.43	USPMUP0595	USPMG1UP0595	USPMD2K0595	USPMG1D2K0595	USPMAR0595	USPMG1AR0595	
680	26.77	USPMUP0680	USPMG1UP0680	USPMD2K0680	USPMG1D2K0680	USPMAR0680	USPMG1AR0680	
765	30.12	USPMUP0765	USPMG1UP0765	USPMD2K0765	USPMG1D2K0765	USPMAR0765	USPMG1AR0765	
850	33.46	USPMUP0850	USPMG1UP0850	USPMD2K0850	USPMG1D2K0850	USPMAR0850	USPMG1AR0850	
935	36.81	USPMUP0935	USPMG1UP0935	USPMD2K0935	USPMG1D2K0935	USPMAR0935	USPMG1AR0935	
1020	40.16	USPMUP1020	USPMG1UP1020	USPMD2K1020	USPMG1D2K1020	USPMAR1020	USPMG1AR1020	

⁽¹⁾ ACTUAL WIDTH CAN BE UP TO 1% GREATER THAN NOMINAL WIDTH

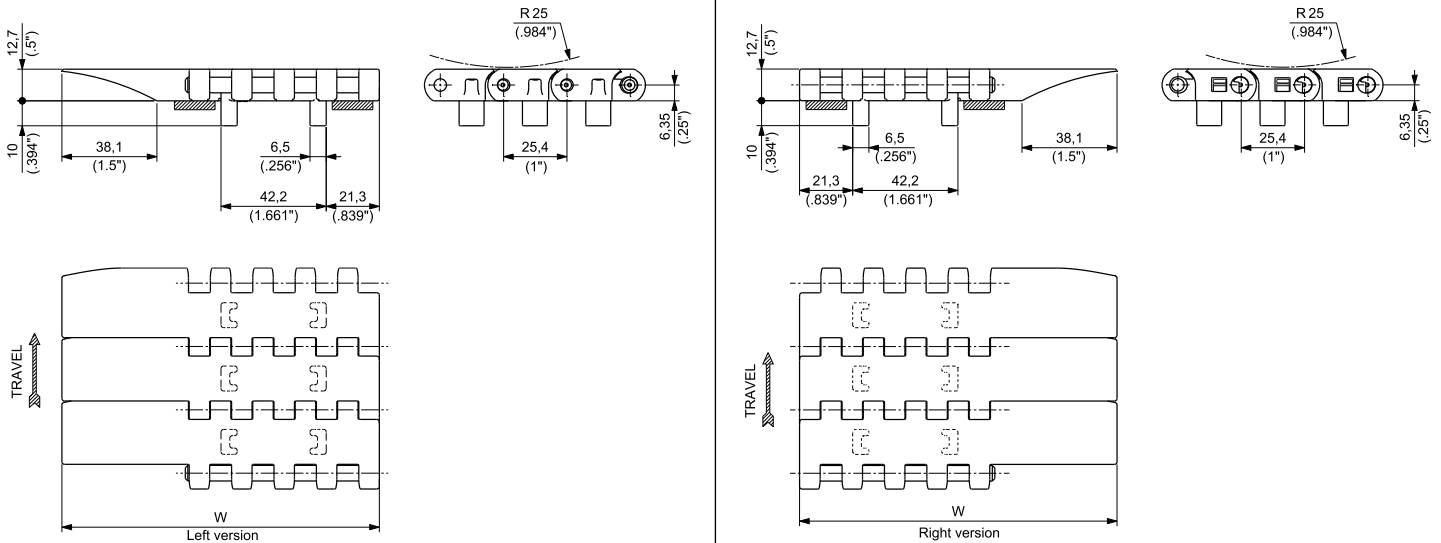
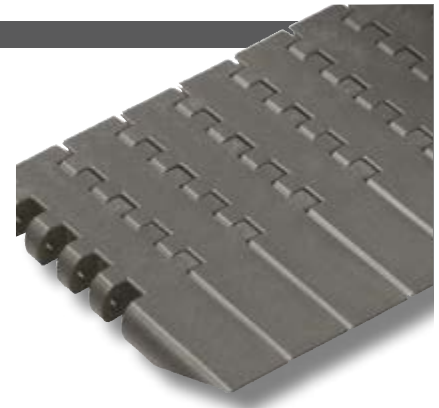
Belts wider than 1020 mm (40.16") are available in 85 mm (3.35") increments.
To identify the Part Numbers, please substitute the last four digits of the PN with the desired width.
Example: for a 1105 mm wide belt (=1020+85 mm) without guide, the PN for UP material is "USPMUP1105".



Standard packaging:
Belt widths ≤ 680 mm (26.77") are supplied in rolls of 3,048 m (10 ft) each.
Belt widths ≥ 765 mm (30.12") are supplied in the length requested by the customer.

ACTIVE TRANSFER MODULES 12,7 mm (0.5") THICKNESS SOLID TOP

Extremely good flatness, manufacturing accuracy and low coefficient of friction make the side transfer of the products very easy. Completely closed surface, no gap between the modules, even when engaging on the sprockets. Particular suitable for glass products, small sized products and unstable containers (for example PET bottles with petaloid base)



USPMG ATM - Left Version

MATERIALS		ITEM DESCRIPTION	PART NUMBER	WIDTH W		PLATE THICKNESS		WORKING LOAD (25°C/77°F)		WEIGHT	
Plate	Pin			mm	inch	mm	inch	N	lbs	kg/m	lbs/ft
ULTRA PERFORMANCE HOMOPOLYMER DELRIN® UP		USPMGATM UP 0085 SX	USPMGATMUP085S	127,5	5.02	12,7	0.5	2975	669	1,55	1.04
SPECIAL DELRIN® REINFORCED WITH KEVLAR® D2K	PBT	USPMGATM D2K 0085 SX	USPMGATMD2K085S	127,5	5.02	12,7	0.5	2975	669	1,55	1.04
ABRASION RESISTANT POLYAMIDE (1) AR		USPMGATM AR 0085 SX	USPMGATMAR085S	127,5	5.02	12,7	0.5	2975	669	1,50	1.01

USPMG ATM - Right Version

MATERIALS		ITEM DESCRIPTION	PART NUMBER	WIDTH W		PLATE THICKNESS		WORKING LOAD (25°C/77°F)		WEIGHT	
Plate	Pin			mm	inch	mm	inch	N	lbs	kg/m	lbs/ft
ULTRA PERFORMANCE HOMOPOLYMER DELRIN® UP		USPMGATM UP 0085 DX	USPMGATMUP085D	127,5	5.02	12,7	0.5	2975	669	1,55	1.04
SPECIAL DELRIN® REINFORCED WITH KEVLAR® D2K	PBT	USPMGATM D2K 0085 DX	USPMGATMD2K085D	127,5	5.02	12,7	0.5	2975	669	1,55	1.04
ABRASION RESISTANT POLYAMIDE (1) AR		USPMGATM AR 0085 DX	USPMGATMAR085D	127,5	5.02	12,7	0.5	2975	669	1,50	1.01

(1) ACTUAL WIDTH CAN BE UP TO 0,5% GREATER THAN NOMINAL WIDTH

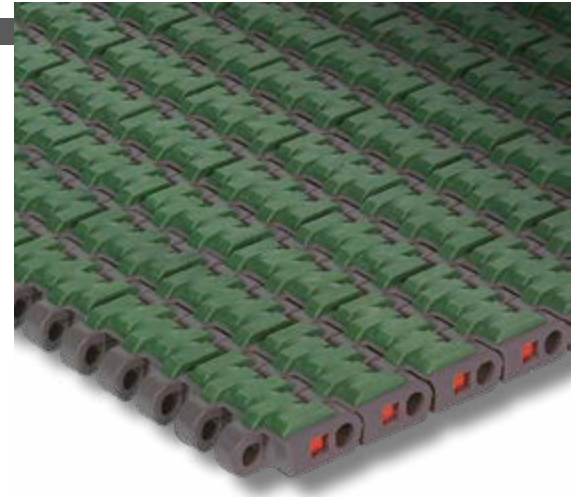


Standard packaging:
Rolls of 3,048 m (10 feet)

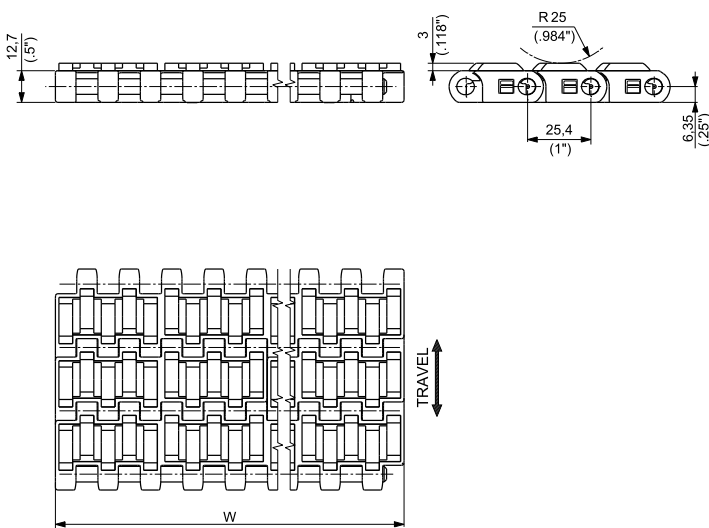
12,7 mm (0.5") THICKNESS RUBBERIZED SURFACE - FULL COVER

HF USPM belts are an ideal solution for heavy duty inclines, declines and package handling (acceleration, deceleration and rotation).

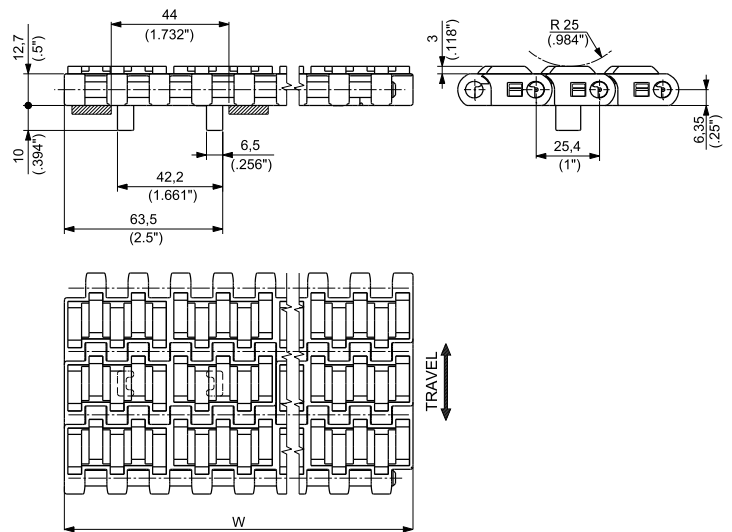
- **Belt widths:** 85 mm (3.346") or wider in 85 mm (3.346") increments
- **Working Load (at 25°C/77°F):** 35000 N/m (2,400 lbs/ft) for **ULF** material
18100 N/m (1,240 lbs/ft) for **PP** material
- **Belt weight:** 14,84 kg/m² (3.04 lbs/ft²) for **ULF** material
10,38 kg/m² (2.13 lbs/ft²) for **PP** material



VERSION WITHOUT TRACKING GUIDE



VERSION WITH TRACKING GUIDE



Matveyor



Materials see page 12



Sprockets see pages 241÷243



Applications see page 22

WIDTH W		MATERIALS				Rubber	Pin
		Module		PP SPECIAL POLIPROPYLENE ⁽¹⁾	ULF ULTRA LOW FRICTION POLYESTER RESIN		
mm	inche	PART NUMBER				PART NUMBER	
		WITHOUT TRACKING GUIDE	WITH TRACKING GUIDE	WITHOUT TRACKING GUIDE	WITH TRACKING GUIDE		
85	3.35	HFUMULF0085	HFUMGULF0085	HFUMPP0085	HFUMGPP0085		
170	6.69	HFUMULF0170	HFUMG1ULF0170	HFUMPP0170	HFUMG1PP0170		
255	10.04	HFUMULF0255	HFUMG1ULF0255	HFUMPP0255	HFUMG1PP0255		
340	13.39	HFUMULF0340	HFUMG1ULF0340	HFUMPP0340	HFUMG1PP0340		
425	16.73	HFUMULF0425	HFUMG1ULF0425	HFUMPP0425	HFUMG1PP0425		
510	20.08	HFUMULF0510	HFUMG1ULF0510	HFUMPP0510	HFUMG1PP0510		
595	23.43	HFUMULF0595	HFUMG1ULF0595	HFUMPP0595	HFUMG1PP0595		
680	26.77	HFUMULF0680	HFUMG1ULF0680	HFUMPP0680	HFUMG1PP0680		
765	30.12	HFUMULF0765	HFUMG1ULF0765	HFUMPP0765	HFUMG1PP0765		
850	33.46	HFUMULF0850	HFUMG1ULF0850	HFUMPP0850	HFUMG1PP0850		
935	36.81	HFUMULF0935	HFUMG1ULF0935	HFUMPP0935	HFUMG1PP0935		
1020	40.16	HFUMULF1020	HFUMG1ULF1020	HFUMPP1020	HFUMG1PP1020		

⁽¹⁾ ACTUAL WIDTH CAN BE UP TO 1% GREATER THAN NOMINAL WIDTH

Belts wider than 1020 mm (40.16") are available in 85 mm (3.35") increments.
To identify the Part Numbers, please substitute the last four digits of the PN with the desired width.
Example: for a 1105 mm wide belt (=1020+85 mm) without guide, the PN for ULF material is "HFUMULF1105".

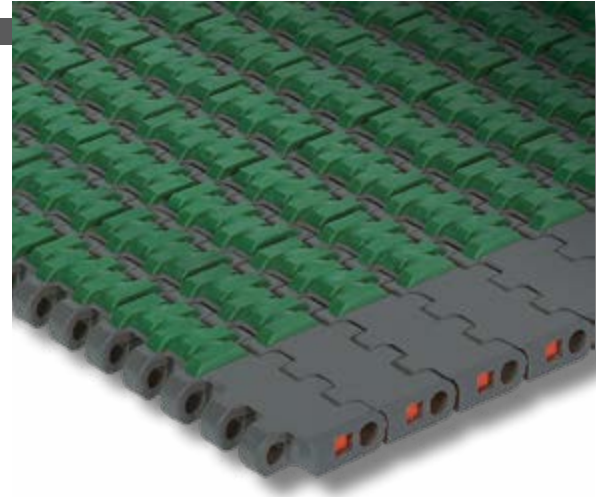


Standard packaging:
Belt widths ≤ 425 mm (16.73") are supplied in rolls of 1,524 m (5 ft) each.
Belt widths ≥ 510 mm (20.08") are supplied in the length requested by the customer.

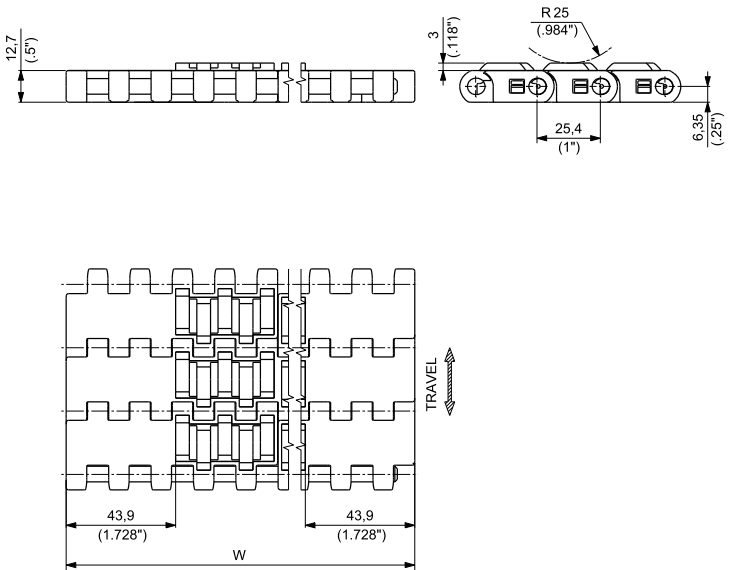
12,7 mm (0.5") THICKNESS RUBBERIZED SURFACE - SIDE INDENT

HFS USPM belts are an ideal solution for heavy duty inclines, declines and package handling (acceleration, deceleration and rotation).

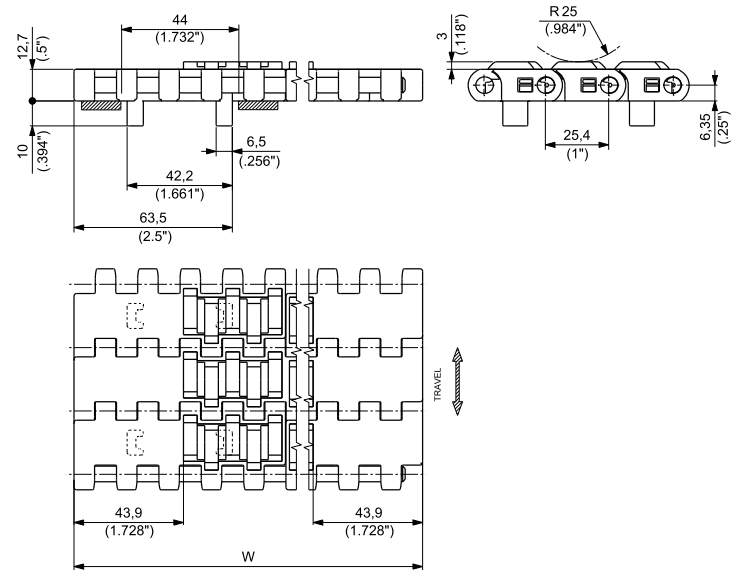
- **Belt widths:** 255 mm (10.04") or wider in 85 mm (10.04") increments
- **Working Load (at 25°C/77°F):** 35000 N/m (2,400 lbs/ft) for **ULF** material
18100 N/m (1,240 lbs/ft) for **PP** material
- **Belt weight:** 14,71 kg/m² (3.01 lbs/ft²) for **ULF** material
10,38 kg/m² (2.13 lbs/ft²) for **PP** material



VERSION WITHOUT TRACKING GUIDE



VERSION WITH TRACKING GUIDE



Materials
see page 12



Sprockets
see pages 241÷243



Applications
see page 22

WIDTH W		MATERIALS				Rubber	Pin
		Module					
		ULF	ULTRA LOW FRICTION POLYESTER RESIN	PP	SPECIAL POLIPROPYLENE ⁽¹⁾		
		PART NUMBER		PART NUMBER			
mm	inches	WITHOUT TRACKING GUIDE	WITH TRACKING GUIDE	WITHOUT TRACKING GUIDE	WITH TRACKING GUIDE	THERMOPLASTIC TPE Hardness: 55 ShA for ULF material 50 ShA for PP material	POM for ULF material PBT for PP material
255	10.04	HFSUMULF0255	HFSUMG1ULF0255	HFSUMPP0255	HFSUMG1PP0255		
340	13.39	HFSUMULF0340	HFSUMG1ULF0340	HFSUMPP0340	HFSUMG1PP0340		
425	16.73	HFSUMULF0425	HFSUMG1ULF0425	HFSUMPP0425	HFSUMG1PP0425		
510	20.08	HFSUMULF0510	HFSUMG1ULF0510	HFSUMPP0510	HFSUMG1PP0510		
595	23.43	HFSUMULF0595	HFSUMG1ULF0595	HFSUMPP0595	HFSUMG1PP0595		
680	26.77	HFSUMULF0680	HFSUMG1ULF0680	HFSUMPP0680	HFSUMG1PP0680		
765	30.12	HFSUMULF0765	HFSUMG1ULF0765	HFSUMPP0765	HFSUMG1PP0765		
850	33.46	HFSUMULF0850	HFSUMG1ULF0850	HFSUMPP0850	HFSUMG1PP0850		
935	36.81	HFSUMULF0935	HFSUMG1ULF0935	HFSUMPP0935	HFSUMG1PP0935		
1020	40.16	HFSUMULF1020	HFSUMG1ULF1020	HFSUMPP1020	HFSUMG1PP1020		

⁽¹⁾ ACTUAL WIDTH CAN BE UP TO 1% GREATER THAN NOMINAL WIDTH

Belts wider than 1020 mm (40.16") are available in 85 mm (3.35") increments.

To identify the Part Numbers, please substitute the last four digits of the PN with the desired width.

Example: for a 1105 mm wide belt (=1020+85 mm) without guide, the PN for ULF material is "HFSUMULF1105".



Standard packaging:

Belt widths ≤ 425 mm (16.73") are supplied in rolls of 1,524 m (5 ft) each.

Belt widths ≥ 510 mm (20.08") are supplied in the length requested by the customer.

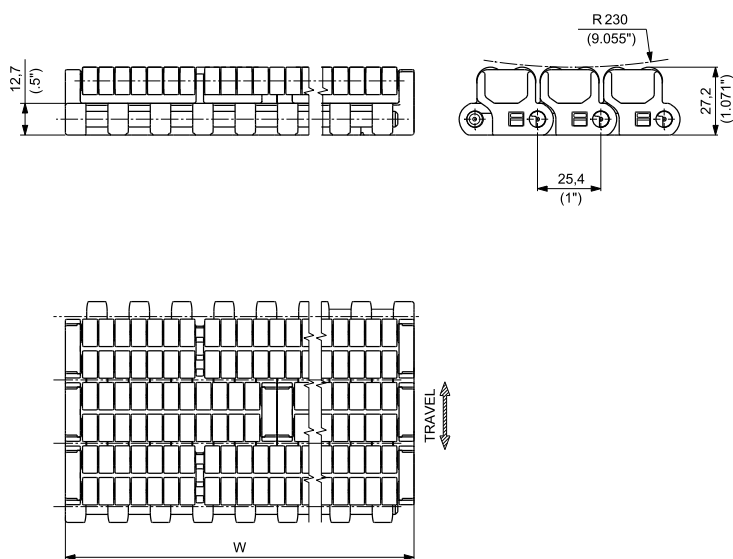
12,7 mm (0.5") THICKNESS LBP ROLLERS

Suitable for applications where a conveyor with a large accumulating section is needed.

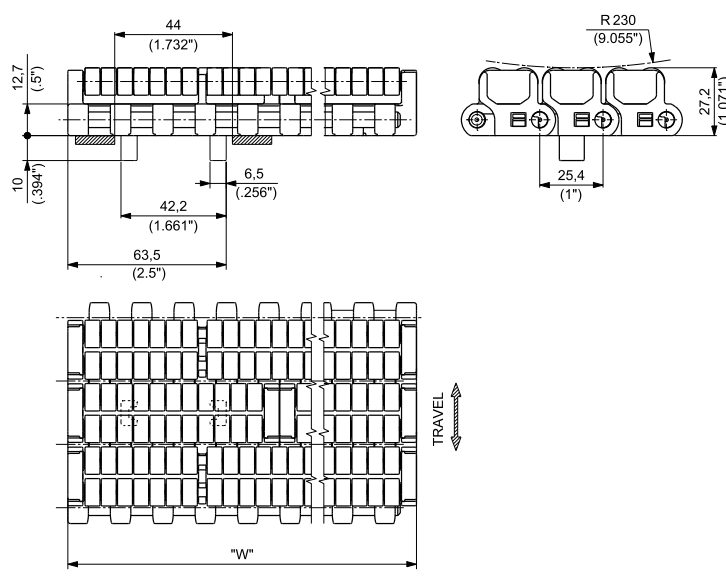
- **Belt widths:** 85 mm (3.346") or wider in 85 mm (3.346") increments
- **Working Load (at 25°C/77°F):** 35000 N/m (2400 lbs/ft)
- **Belt weight:** 31,11 kg/m² (6.37 lbs/ft²)



VERSION WITHOUT TRACKING GUIDE



VERSION WITH TRACKING GUIDE



Matveyor



Materials
see page 12



Sprockets
see pages 241÷243



Applications
see page 22

WIDTH W		MATERIALS	
		Module and roller	Pin
		UP ULTRA PERFORMANCE HOMOPOLYMER DELRIN®	
		PART NUMBER	
mm	inch	WITHOUT TRACKING GUIDE	WITH TRACKING GUIDE
85	3.35	LBPUSPMUP0085	LBPUSPMGUP0085
170	6.69	LBPUSPMUP0170	LBPUSPMG1UP0170
255	10.04	LBPUSPMUP0255	LBPUSPMG1UP0255
340	13.39	LBPUSPMUP0340	LBPUSPMG1UP0340
425	16.73	LBPUSPMUP0425	LBPUSPMG1UP0425
510	20.08	LBPUSPMUP0510	LBPUSPMG1UP0510
595	23.43	LBPUSPMUP0595	LBPUSPMG1UP0595
680	26.77	LBPUSPMUP0680	LBPUSPMG1UP0680
765	30.12	LBPUSPMUP0765	LBPUSPMG1UP0765
850	33.46	LBPUSPMUP0850	LBPUSPMG1UP0850
935	36.81	LBPUSPMUP0935	LBPUSPMG1UP0935
1020	40.16	LBPUSPMUP1020	LBPUSPMG1UP1020

Belts wider than 1020 mm (40.16") are available in 85 mm (3.35") increments.

To identify the Part Numbers, please substitute the last four digits of the PN with the desired width.

Example: for a 1105 mm wide belt (=1020+85 mm) without guide, the PN for UP material is "LBPUSPMUP1105".



Standard packaging:

Belt widths ≤ 425 mm (16.73") are supplied in rolls of 1,524 m (5 ft) each.
Belt widths ≥ 510 mm (20.09") and ≤ 935 (36.81") are supplied in rolls of 1,016 m (3.33 ft) each.

Belt widths ≥ 1020 mm (40.16") are supplied in the length requested by the customer.

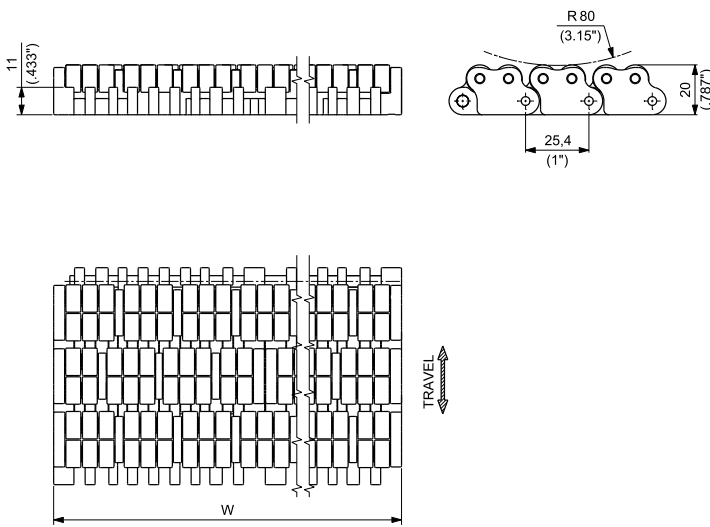
11 mm (0.433") THICKNESS
LBP ROLLERS
SAFETY DESIGN



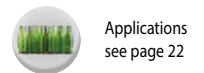
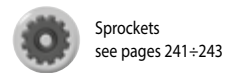
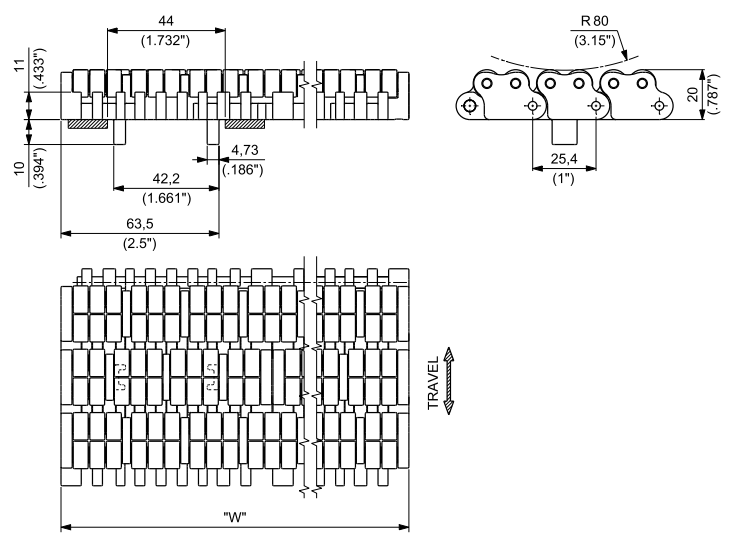
Designed for product accumulation applications where a combination of high performance, improved safety and energy saving are required. LBP rollers allow for pressure reduction among accumulated products and for belt pull reduction.

- **Belt widths:** 85 mm (3.346") or wider in 85 mm (3.346") increments
- **Working Load (at 25°C/77°F):** 34000 N/m (2,330 lbs/ft)
- **Belt weight:** 19,40 kg/m² (3.97 lbs/ft²)

VERSION WITHOUT TRACKING GUIDE



VERSION WITH TRACKING GUIDE



WIDTH W		MATERIALS		Pin
		Module and roller		
		UP	ULTRA PERFORMANCE HOMOPOLYMER DELRIN®	PBT
		PART NUMBER		
mm	inch	WITHOUT TRACKING GUIDE	WITH TRACKING GUIDE	
85	3.35	LBPXSPMUP0085	LBPXSPMGUP0085	
170	6.69	LBPXSPMUP0170	LBPXSPMG1UP0170	
255	10.04	LBPXSPMUP0255	LBPXSPMG1UP0255	
340	13.39	LBPXSPMUP0340	LBPXSPMG1UP0340	
425	16.73	LBPXSPMUP0425	LBPXSPMG1UP0425	
510	20.08	LBPXSPMUP0510	LBPXSPMG1UP0510	
595	23.43	LBPXSPMUP0595	LBPXSPMG1UP0595	
680	26.77	LBPXSPMUP0680	LBPXSPMG1UP0680	
765	30.12	LBPXSPMUP0765	LBPXSPMG1UP0765	
850	33.46	LBPXSPMUP0850	LBPXSPMG1UP0850	
935	36.81	LBPXSPMUP0935	LBPXSPMG1UP0935	
1020	40.16	LBPXSPMUP1020	LBPXSPMG1UP1020	

Belts wider than 1020 mm (40.16") are available in 85 mm (3.35") increments.
 To identify the Part Numbers, please substitute the last four digits of the PN with the desired width.
 Example: for a 1105 mm wide belt (=1020+85 mm) without guide, the PN is "LBPXSPMUP1105".



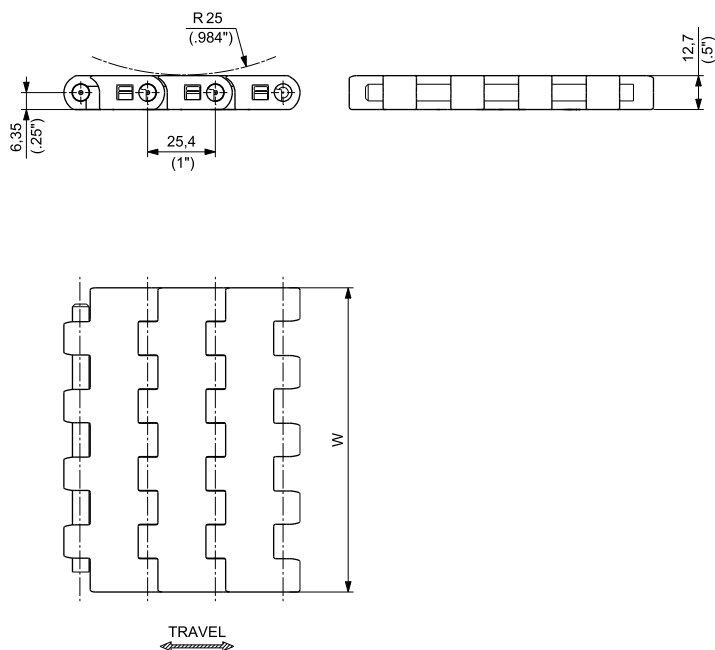
Standard packaging:
 Belt widths ≤ 425 mm (16.73") are supplied in rolls of 1,524 m (5 ft) each.
 Belt widths ≥ 510 mm (20.09") and ≤ 935 (36.81") are supplied in rolls of 1,016 m (3.33 ft) each.
 Belt widths ≥ 1020 mm (40.16") are supplied in the length requested by the customer.

12,7 mm (0.5") THICKNESS SOLID TOP

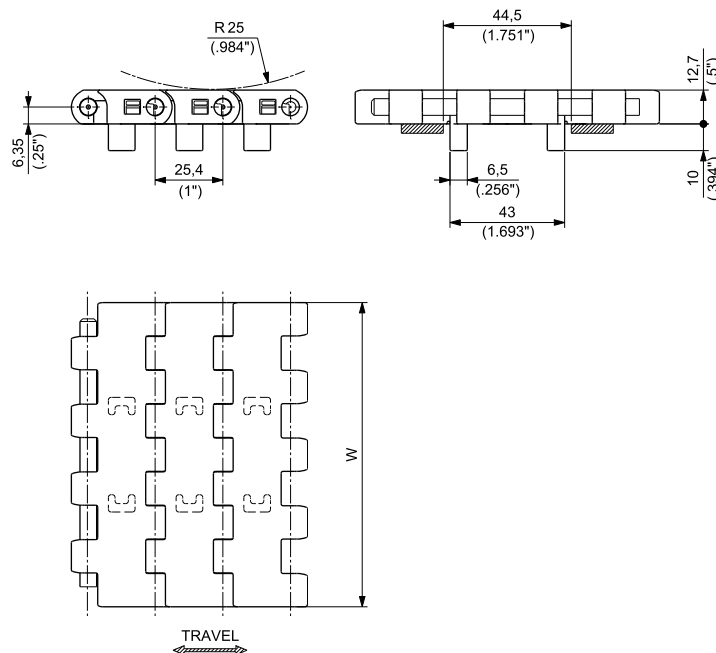
Completely closed surface, no gap between modules, even when engaging on the sprockets. Particular suitable for glass products.



VERSION WITHOUT TRACKING GUIDE



VERSION WITH TRACKING GUIDE



Matveyor



Materials
see page 12



Sprockets
see pages 241÷243



Applications
see page 22

MATERIALS		VERSION	ITEM DESCRIPTION	PART NUMBER	WIDTH W		PLATE THICKNESS		WORKING LOAD (25°C/77°F)		WEIGHT	
Plate	Pin				mm	inch	mm	inch	N	lbs	kg/m	lbs/ft
ULTRA PERFORMANCE HOMOPOLYMER DELRIN® UP	PBT	WITHOUT TRACKING GUIDE	USP UP 325	USPUPKD/000	82,6	3.25	12,7	0.50	2500	562	1,27	0.86
			USP UP 450	USPUPKG/000	114,3	4.50	12,7	0.50	3430	771	1,73	1.16
			USP UP 750	USPUPKL/000	190,5	7.50	12,7	0.50	5710	1284	2,83	1.90
SPECIAL DELRIN® REINFORCED WITH KEVLAR® DK2	PBT	WITHOUT TRACKING GUIDE	USP D2K 325	USPD2KKD/000	82,6	3.25	12,7	0.50	2500	562	1,27	0.86
			USP D2K 450	USPD2KKG/000	114,3	4.50	12,7	0.50	3430	771	1,73	1.16
			USP D2K 750	USPD2KKL/000	190,5	7.50	12,7	0.50	5710	1284	2,83	1.90
ABRASION RESISTANT POLYAMIDE ⁽¹⁾ AR	PBT	WITHOUT TRACKING GUIDE	USP AR 325	USPARKD/000	82,6	3.25	12,7	0.50	2500	562	1,23	0.82
			USP AR 450	USPARKG/000	114,3	4.50	12,7	0.50	3430	771	1,67	1.12
			USP AR 750	USPARKL/000	190,5	7.50	12,7	0.50	5710	1284	2,73	1.83
ULTRA PERFORMANCE HOMOPOLYMER DELRIN® UP	PBT	WITH TRACKING GUIDE	USPG UP 325	USPGUPKD/000	82,6	3.25	12,7	0.50	2500	562	1,27	0.86
			USPG UP 450	USPGUPKG/000	114,3	4.50	12,7	0.50	3430	771	1,73	1.16
			USPG UP 750	USPGUPKL/000	190,5	7.50	12,7	0.50	5710	1284	2,83	1.90
SPECIAL DELRIN® REINFORCED WITH KEVLAR® DK2	PBT	WITH TRACKING GUIDE	USPG D2K 325	USPGD2KKD/000	82,6	3.25	12,7	0.50	2500	562	1,27	0.86
			USPG D2K 450	USPGD2KKG/000	114,3	4.50	12,7	0.50	3430	771	1,73	1.16
			USPG D2K 750	USPGD2KKL/000	190,5	7.50	12,7	0.50	5710	1284	2,83	1.90
ABRASION RESISTANT POLYAMIDE ⁽¹⁾ AR	PBT	WITH TRACKING GUIDE	USPG AR 325	USPGARKD/000	82,6	3.25	12,7	0.50	2500	562	1,23	0.82
			USPG AR 450	USPGARKG/000	114,3	4.50	12,7	0.50	3430	771	1,67	1.12
			USPG AR 750	USPGARKL/000	190,5	7.50	12,7	0.50	5710	1284	2,73	1.83

⁽¹⁾ ACTUAL WIDTH CAN BE UP TO 0,5% GREATER THAN NOMINAL WIDTH

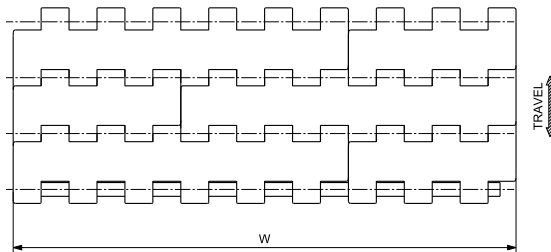
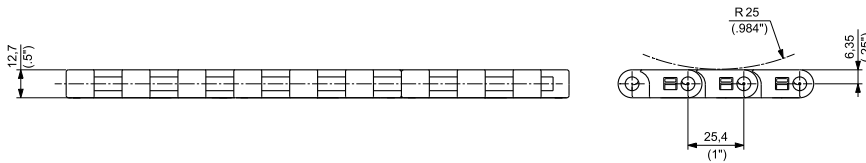
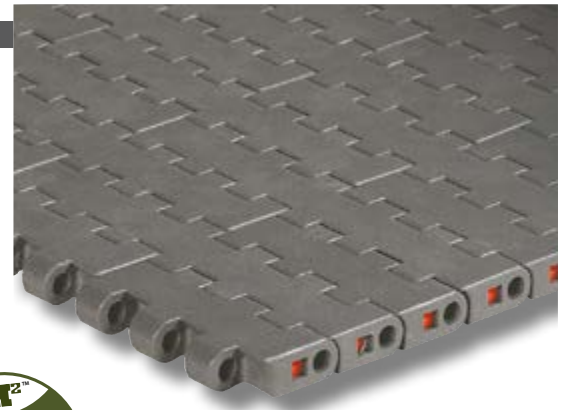


Standard packaging:
Rolls of 3,048 m (10 feet)

12,7 mm (0.5") THICKNESS SOLID TOP

Completely closed surface, no gap between the modules, even when engaging on the sprockets. Particularly suitable for glass products.

- **Belt widths:** 154,2 mm (6") or wider in 76,2 mm (3") increments
- **Working Load (at 25°C/77°F):** 30000 N/m (2400 lbs/ft) for **UP**, **DK2** and **AR** materials
- **Belt weight:** 13,93 kg/m² (2.85 lbs/ft²) for **UP** and **DK2** materials
13,40 kg/m² (2.74 lbs/ft²) for **AR** material



Materials see page 12



Sprockets see pages 241+243



Applications see page 22

WIDTH W		MATERIALS			
		Module			Pin
		UP ULTRA PERFORMANCE HOMOPOLYMER DELRIN®	DK2 SPECIAL DELRIN® REINFORCED WITH KEVLAR®	AR ABRASION RESISTANT POLYAMIDE ⁽¹⁾	
mm	inch	PART NUMBER	PART NUMBER	PART NUMBER	PBT
152,20	6.0	USPUP006	USPD2K006	USPAR006	
228,60	9.0	USPUP009	USPD2K009	USPAR009	
304,80	12.0	USPUP012	USPD2K012	USPAR012	
381,00	15.0	USPUP015	USPD2K015	USPAR015	
457,20	18.0	USPUP018	USPD2K018	USPAR018	
533,40	21.0	USPUP021	USPD2K021	USPAR021	
609,60	24.0	USPUP024	USPD2K024	USPAR024	
685,80	27.0	USPUP027	USPD2K027	USPAR027	
762,00	30.0	USPUP030	USPD2K030	USPAR030	
838,20	33.0	USPUP033	USPD2K033	USPAR033	
914,40	36.0	USPUP036	USPD2K036	USPAR036	
996,60	39.0	USPUP039	USPD2K039	USPAR039	
1066,80	42.0	USPUP042	USPD2K042	USPAR042	
1143,00	45.0	USPUP045	USPD2K045	USPAR045	
1219,20	48.0	USPUP048	USPD2K048	USPAR048	
1295,40	51.0	USPUP051	USPD2K051	USPAR051	
1371,60	54.0	USPUP054	USPD2K054	USPAR054	
1447,80	57.0	USPUP057	USPD2K057	USPAR057	
1524,00	60.0	USPUP060	USPD2K060	USPAR060	

⁽¹⁾ ACTUAL WIDTH CAN BE UP TO 1% GREATER THAN NOMINAL WIDTH

Belts wider than 1524 mm (60") are available in 76,2 (3") increments.
To identify the Part Numbers, please substitute the last three digits of the PN with the desired width.
Example: for a 63" wide belt (=60+3 inches), the PN for UP material is "USPUP063".
Available on request increments of 25,4 mm (1").
Example: 48+1=49 inches width, the PN for UP material is "USPUP049".



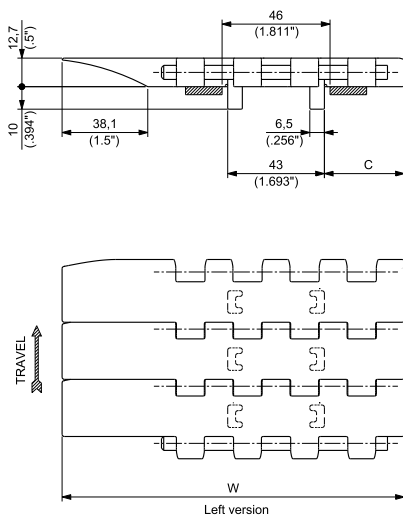
Standard packaging:

Belts are supplied in the length requested by the customer.

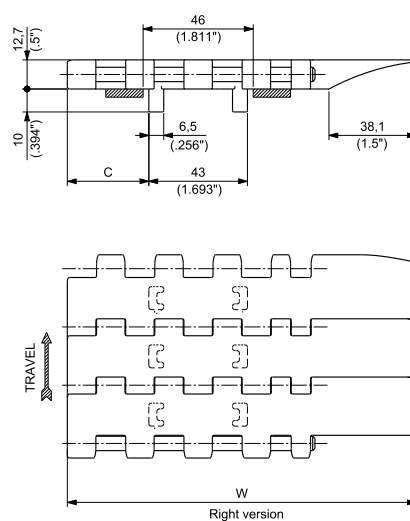
ACTIVE TRANSFER MODULES 12,7 mm (0.5") THICKNESS SOLID TOP



To be used in combination with USP belt series.
Active transfer modules USPG ATM series allow the transfer of the products between two 90° conveyor tracks without using dead plates. The special module profile, wing shaped, supports the products dynamically during transfer on the take-away belt. Available left and right version.



K 4½": C= 35,5 mm (1.398")
K 7½": C= 73,6 mm (2.898")



K 4½": C= 35,5 mm (1.398")
K 7½": C= 73,6 mm (2.898")

Matveyor



Materials
see page 12



Sprockets
see pages 241÷243



Applications
see page 22

USPG ATM - Left Version

MATERIALS		ITEM DESCRIPTION	PART NUMBER	WIDTH W		PLATE THICKNESS		WORKING LOAD (25°C/77°F)		WEIGHT	
Plate	Pin			mm	inch	mm	inch	N	lbs	kg/m	lbs/ft
ULTRA PERFORMANCE HOMOPOLYMER DELRIN® UP	PBT	USPGATM UP 450 SX	USPGATMUP450S	152,4	6.0	12,7	0.5	3480	782	1,97	1.32
		USPGATM UP 750 SX	USPGATMUP750S	228,6	9.0	12,7	0.5	5715	1.285	3,06	2.05
SPECIAL DELRIN® REINFORCED WITH KEVLAR® DK2	PBT	USPGATM D2K 450 SX	USPGATMD2K450S	152,4	6.0	12,7	0.5	3480	782	1,97	1.32
		USPGATM D2K 750 SX	USPGATMD2K750S	228,6	9.0	12,7	0.5	5715	1.285	3,06	2.05
ABRASION RESISTANT POLYAMIDE ⁽¹⁾ AR	PBT	USPGATM AR 450 SX	USPGATMAR450S	152,4	6.0	12,7	0.5	3480	782	1,97	1.32
		USPGATM AR 750 SX	USPGATMAR750S	228,6	9.0	12,7	0.5	5715	1.285	3,06	2.05

USPG ATM - Right Version

MATERIALS		ITEM DESCRIPTION	PART NUMBER	WIDTH W		PLATE THICKNESS		WORKING LOAD (25°C/77°F)		WEIGHT	
Plate	Pin			mm	inch	mm	inch	N	lbs	kg/m	lbs/ft
ULTRA PERFORMANCE HOMOPOLYMER DELRIN® UP	PBT	USPGATM UP 450 DX	USPGATMUP450D	152,4	6.0	12,7	0.5	3480	782	1,97	1.32
		USPGATM UP 750 DX	USPGATMUP750D	228,6	9.0	12,7	0.5	5715	1.285	3,06	2.05
SPECIAL DELRIN® REINFORCED WITH KEVLAR® DK2	PBT	USPGATM D2K 450 DX	USPGATMD2K450D	152,4	6.0	12,7	0.5	3480	782	1,97	1.32
		USPGATM D2K 750 DX	USPGATMD2K750D	228,6	9.0	12,7	0.5	5715	1.285	3,06	2.05
ABRASION RESISTANT POLYAMIDE ⁽¹⁾ AR	PBT	USPGATM AR 450 DX	USPGATMAR450D	152,4	6.0	12,7	0.5	3480	782	1,97	1.32
		USPGATM AR 750 DX	USPGATMAR750D	228,6	9.0	12,7	0.5	5715	1.285	3,06	2.05

⁽¹⁾ ACTUAL WIDTH CAN BE UP TO 0,5% GREATER THAN NOMINAL WIDTH



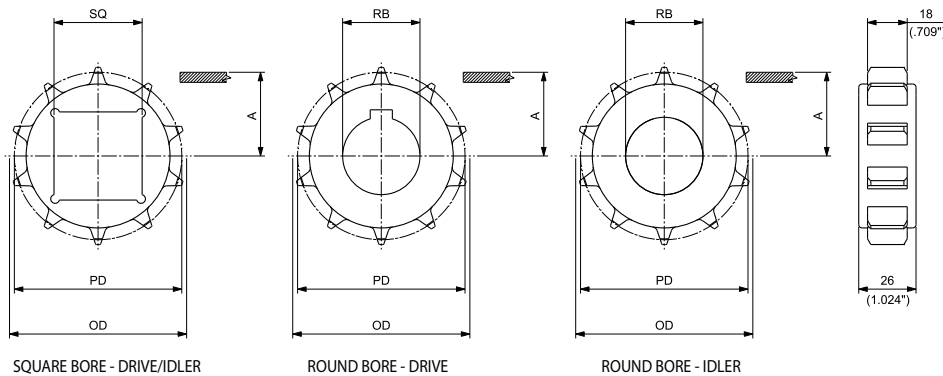
Standard packaging:
Rolls of 3,048 m (10 feet)

SUITABLE FOR CHAINS:

- USPM
- USP
- LBP USPM
- LBP XSPM
- HF USPM / HFS USPM

MATERIALS

SPROCKETS: **PA** POLYAMIDE



MACHINED SOLID DRIVE AND IDLER SPROCKETS

N. TEETH	PITCH DIAMETER PD		OUTSIDE DIAMETER OD		WEAR STRIP POSITIONING A		BORE SIZE*		SQUARE BORE SQ DRIVE/IDLER	PART NUMBER		WEIGHT	
	mm	inch	mm	inch	mm	inch	mm	inch**		DRIVE	ROUND BORE RB IDLER	Kg	lbs
8	66,37	2.613	63,80	2.512	26,80	1.055	20			MPBATUSP0820	MPBAFUSP0820	0,05	0.11
							25			MPBATUSP0825	MPBAFUSP0825	0,05	0.10
							30			MPBATUSP0830	MPBAFUSP0830	0,04	0.09
							1			MPBATUSP08254	MPBAFUSP08254	0,05	0.10
							1 3/16			MPBATUSP08301	MPBAFUSP08301	0,04	0.09
							1 1/4			MPBATUSP08317	MPBAFUSP08317	0,04	0.08
10	82,19	3.236	80,40	3.165	34,70	1.366	30		MPBAQUSP1030	MPBATUSP1030	MPBAFUSP1030	0,09	0.19
							35			MPBATUSP1035	MPBAFUSP1035	0,08	0.17
							40		MPBAQUSP1040	MPBATUSP1040	MPBAFUSP1040	0,07	0.15
							1			MPBATUSP10254	MPBAFUSP10254	0,09	0.20
							1 3/16			MPBATUSP10301	MPBAFUSP10301	0,09	0.19
							1 1/4			MPBATUSP10317	MPBAFUSP10317	0,08	0.18

*In case of round bore, diameter is indicated. In case of square bore, side of the square is indicated.

** Imperial round bore drive sprockets are supplied with setscrew. Metric round bore drive sprockets are supplied without setscrew.

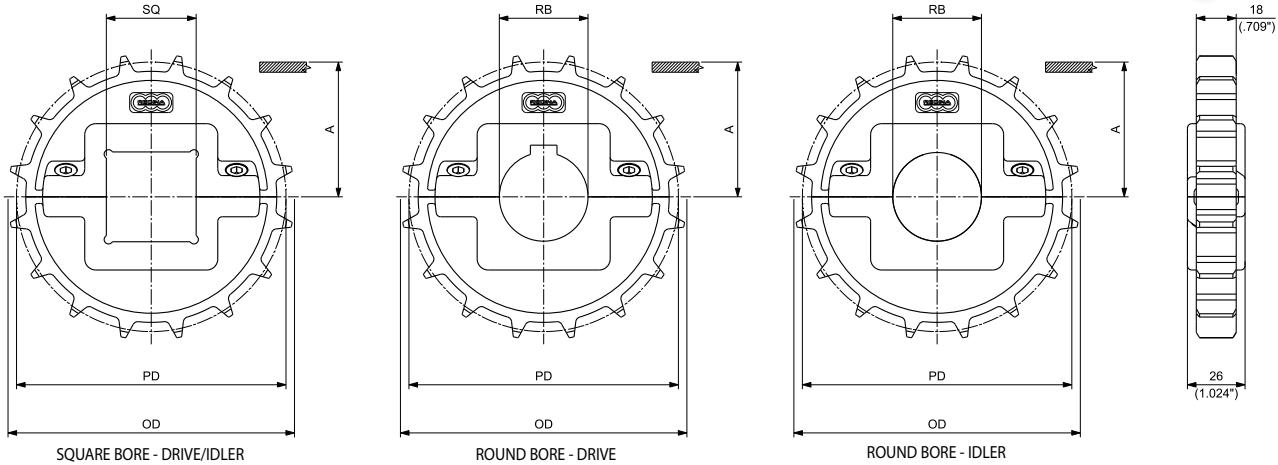


SUITABLE FOR CHAINS:

- USPM
- USP
- LBP USPM
- LBP XSPM
- HF USPM / HFS USPM

MATERIALS	
SPROCKETS:	PGF REINFORCED POLYAMIDE
SCREW:	SS STAINLESS STEEL
NUTS:	S+ZN ZINC PLATED STEEL

12T, 13T, 14T, 15T & 16T SPROCKETS (for 18T & 21T see next page)



MOULDED SPLIT DRIVE AND IDLER SPROCKETS

N. TEETH	PITCH DIAMETER PD		OUTSIDE DIAMETER OD		WEAR STRIP POSITIONING A		BORE SIZE*		PART NUMBER			WEIGHT	
	mm	inch	mm	inch	mm	inch	mm	inch**	SQUARE BORE SQ DRIVE/IDLER	ROUND BORE RB DRIVE	ROUND BORE RB IDLER	Kg	lbs
NEW 12	98,14	3.864	97,00	3.819	42,70	1.681	30		MPBSTUSP1230	MPBSFUSP1230		0,12	0.27
							35		MPBSTUSP1235	MPBSFUSP1235		0,12	0.26
							40		MPBSTUSP1240	MPBSFUSP1240		0,11	0.25
							1		MPBSTUSP12254	MPBSFUSP12254		0,13	0.28
							1¼		MPBSTUSP12317	MPBSFUSP12317		0,12	0.27
							1½	MPBSQUSP12381				0,11	0.24
NEW 13	106,14	4.179	105,50	4.154	46,70	1.839	30		MPBSTUSP1330	MPBSFUSP1330		0,12	0.26
							35		MPBSTUSP1335	MPBSFUSP1335		0,11	0.25
							40		MPBSTUSP1340	MPBSFUSP1340		0,11	0.24
							1		MPBSTUSP13254	MPBSFUSP13254		0,12	0.27
							1¼		MPBSTUSP13317	MPBSFUSP13317		0,12	0.26
							1½	MPBSQUSP13381				0,11	0.24
NEW 14	114,15	4.494	113,15	4.455	50,70	1.996	30		MPBSTUSP1430	MPBSFUSP1430		0,15	0.33
							35		MPBSTUSP1435	MPBSFUSP1435		0,14	0.32
							40	MPBSQUSP1440	MPBSTUSP1440	MPBSFUSP1440		0,14	0.30
							1		MPBSTUSP14254	MPBSFUSP14254		0,15	0.34
							1¼		MPBSTUSP14317	MPBSFUSP14317		0,15	0.32
							1½	MPBSQUSP14381	MPBSTUSP14381	MPBSFUSP14381		0,14	0.31
NEW 15	122,17	4.810	121,50	4.783	54,70	2.154	30		MPBSTUSP1530	MPBSFUSP1530		0,19	0.42
							35		MPBSTUSP1535	MPBSFUSP1535		0,18	0.40
							40	MPBSQUSP1540	MPBSTUSP1540	MPBSFUSP1540		0,18	0.39
							1		MPBSTUSP15254	MPBSFUSP15254		0,19	0.42
							1⅜		MPBSTUSP15301	MPBSFUSP15301		0,19	0.41
							1¼		MPBSTUSP15317	MPBSFUSP15317		0,19	0.41
							1⅞		MPBSTUSP15365	MPBSFUSP15365		0,18	0.40
							1½	MPBSQUSP15381	MPBSTUSP15381	MPBSFUSP15381		0,18	0.40
NEW 16	130,19	5.126	129,20	5.087	58,80	2.315	30		MPBSTUSP1630	MPBSFUSP1630		0,20	0.44
							35		MPBSTUSP1635	MPBSFUSP1635		0,20	0.43
							40	MPBSQUSP1640	MPBSTUSP1640	MPBSFUSP1640		0,19	0.42
							45		MPBSTUSP1645	MPBSFUSP1645		0,18	0.40
							50		MPBSTUSP1650	MPBSFUSP1650		0,17	0.38
							1		MPBSTUSP16254	MPBSFUSP16254		0,20	0.45
							1⅜		MPBSTUSP16301	MPBSFUSP16301		0,20	0.44
							1¼		MPBSTUSP16317	MPBSFUSP16317		0,20	0.44
							1⅞		MPBSTUSP16365	MPBSFUSP16365		0,19	0.43
1½	MPBSQUSP16381	MPBSTUSP16381	MPBSFUSP16381		0,19	0.42							

*In case of round bore, diameter is indicated. In case of square bore, side of the square is indicated.

** Imperial round bore drive sprockets are supplied with setscrew. Metric round bore drive sprockets are supplied without setscrew.

SUITABLE FOR CHAINS:

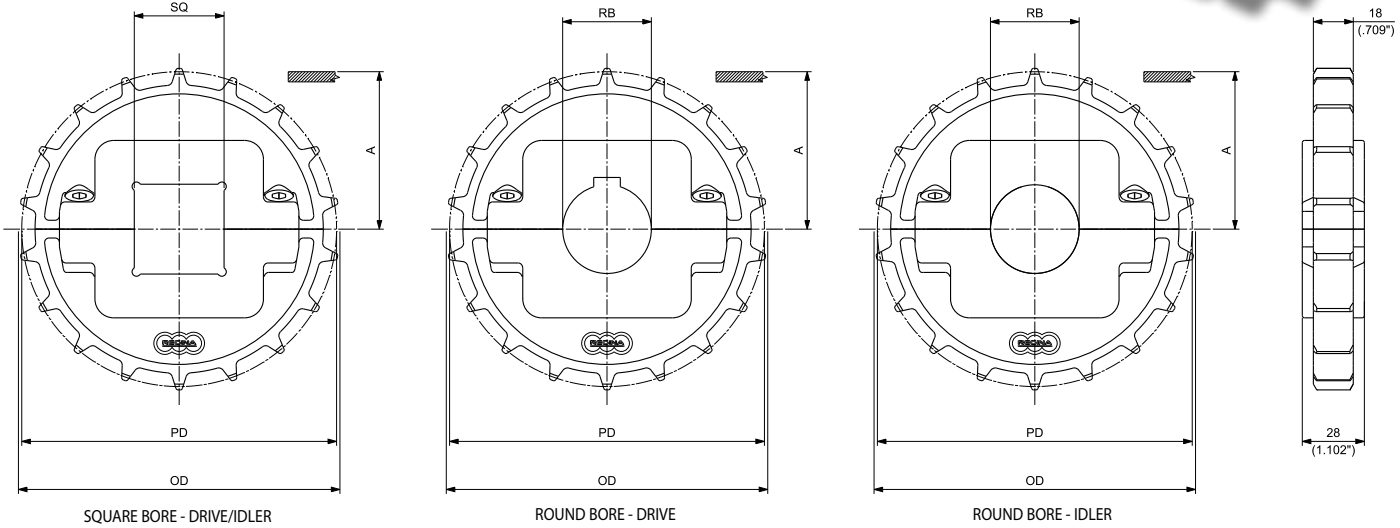
- USPM
- USP
- LBP USPM
- LBP XSPM
- HF USPM / HFS USPM

MATERIALS	
SPROCKETS:	PGF REINFORCED POLYAMIDE
SCREW:	SS STAINLESS STEEL
NUTS:	S+ZN ZINC PLATED STEEL



18T & 21T SPROCKETS

(for 12T, 13T, 14T, 15T & 16T see previous page)



MOULDED SOLID IDLER WHEELS
SEE PAGE 123



MOULDED SPLIT IDLER WHEELS
SEE PAGE 186



MACHINED SPLIT IDLER WHEELS
SEE PAGE 125

MOULDED SPLIT DRIVE AND IDLER SPROCKETS

N. TEETH	PITCH DIAMETER PD		OUTSIDE DIAMETER OD		WEAR STRIP POSITIONING A		BORE SIZE*		PART NUMBER		WEIGHT			
	mm	inch	mm	inch	mm	inch	mm	inch**	SQUARE BORE SQ DRIVE/IDLER	ROUND BORE RB DRIVE	ROUND BORE RB IDLER	Kg	lbs	
18	146,27	5.759	145,00	5.709	66,79	2.629				MPBSTUSP1830	MPBSFUSP1830	0,33	0.73	
										MPBSTUSP1835	MPBSFUSP1835	0,32	0.71	
									MPBSQUSP1840	MPBSTUSP1840	MPBSFUSP1840	0,32	0.70	
										MPBSTUSP1845	MPBSFUSP1845	0,31	0.68	
									MPBSQUSP1850	MPBSTUSP1850	MPBSFUSP1850	0,30	0.66	
									MPBSQUSP1860	MPBSTUSP1860	MPBSFUSP1860	0,28	0.61	
									MPBSQUSP1865			0,24	0.52	
									1	MPBSTUSP18254	MPBSFUSP18254	0,34	0.74	
									1 3/16	MPBSTUSP18301	MPBSFUSP18301	0,33	0.73	
									1 1/4	MPBSTUSP18317	MPBSFUSP18317	0,33	0.72	
									1 7/16	MPBSTUSP18365	MPBSFUSP18365	0,32	0.71	
									1 1/2	MPBSQUSP18381	MPBSTUSP18381	MPBSFUSP18381	0,32	0.70
									2	MPBSTUSP18508	MPBSFUSP18508	0,30	0.65	
									21	170,42	6.709	170,00	6.693	78,84
	MPBSTUSP2135	MPBSFUSP2135	0,39	0.86										
MPBSQUSP2140	MPBSTUSP2140	MPBSFUSP2140	0,38	0.85										
	MPBSTUSP2145	MPBSFUSP2145	0,38	0.83										
MPBSQUSP2150	MPBSTUSP2150	MPBSFUSP2150	0,37	0.81										
MPBSQUSP2160	MPBSTUSP2160	MPBSFUSP2160	0,34	0.76										
MPBSQUSP2165			0,31	0.67										
1	MPBSTUSP21254	MPBSFUSP21254	0,40	0.89										
1 3/16	MPBSTUSP21301	MPBSFUSP21301	0,40	0.88										
1 1/4	MPBSTUSP21317	MPBSFUSP21317	0,40	0.88										
1 7/16	MPBSTUSP21365	MPBSFUSP21365	0,39	0.86										
1 1/2	MPBSQUSP21381	MPBSTUSP21381	MPBSFUSP21381	0,39	0.85									
2	MPBSTUSP21508	MPBSFUSP21508	0,36	0.80										

*In case of round bore, diameter is indicated. In case of square bore, side of the square is indicated.

** Imperial round bore drive sprockets are supplied with setscrew. Metric round bore drive sprockets are supplied without setscrew.



PERFORMANCE IN MOTION

Matveyor[®]

1" Pitch Sidedflexing Chains



INDUSTRIES AND APPLICATIONS

Suitable for handling loose products, such as plastic & glass bottles and aluminium & steel cans in the following industries and applications.

INDUSTRIES

Bottling and canning
 Container manufacturing
 Consumer goods

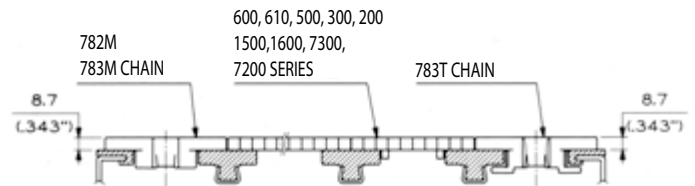
APPLICATIONS

Single lane & mass conveying
 Pressureless inliners and combiners



FEATURES

- 783 and 782 series can be used on conveyors side by side with 600, 610, 500, 300, 200, 1500, 1600, 7200, 7300 series due to the same thickness of 8,7mm for easy installation and standardization of wearstrips.
- Tab chains 783T series use the same curves as Fitetop plastic chains 880T, 879T series and Flitetop steel chains 881T and 981T series.



INDUSTRIES AND APPLICATIONS

Suitable for handling loose products, such as plastic & glass bottles and aluminium & steel cans in the following industries and applications.

INDUSTRIES

Bottling and canning
 Container manufacturing
 (in particular glass manufacturing)
 Consumer goods

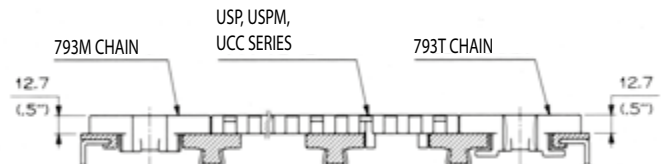
APPLICATIONS

Single lane & mass conveying
 Pressureless Inliners and combiners

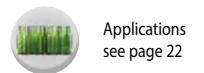
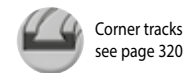
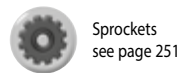
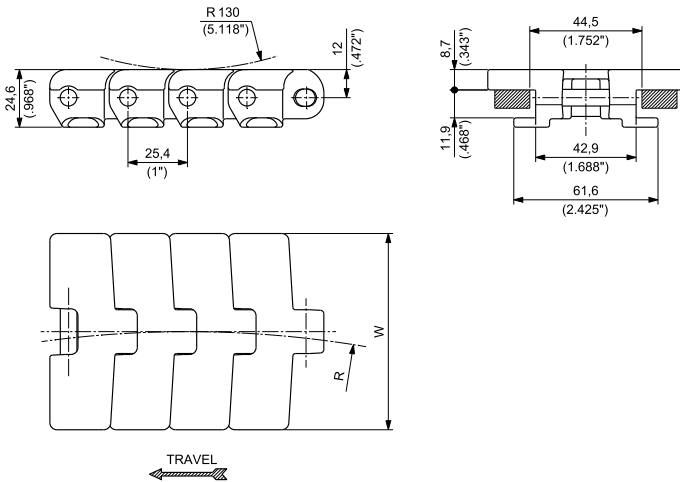


FEATURES

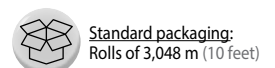
- 793 series can be used on conveyors side by side with USP, USPM, UCC series due to the same thickness of 12,7 mm for easy installation and standardization of wearstrips.
- Tab chains 793T series use the same curves as Flitetop plastic chains 880T, 879T series and steel chains 881T and 981T series.



TAB
8,7 mm (0.343") THICKNESS
SOLID TOP
LIGHT DUTY



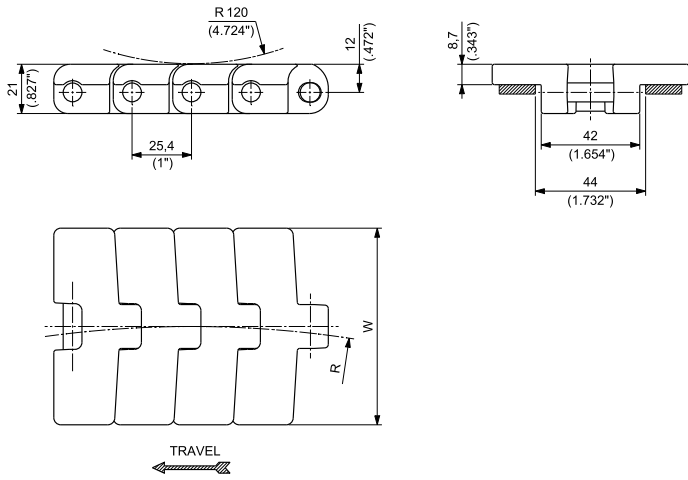
MATERIALS		ITEM DESCRIPTION	PART NUMBER	WIDTH W		PLATE THICKNESS		SIDEFLEXING RADIUS R		WORKING LOAD (25°C/77°F)		WEIGHT	
Plate	Pin			mm	Inch	mm	inch	mm	inch	N	lbs	kg/m	lbs/ft
ULTRA PERFORMANCE HOMOPOLYMER DELRIN® UP		UP 783T K 3 ¼	UP783TKD/000	82,6	3.25	8,7	0.343	457,2	18	1700	382	1,76	1.19
		UP 783T K 83,8	UP783TKRA/000	83,8	3.30	8,7	0.343	457,2	18	1700	382	1,78	1.19
		UP 783T K 4 ½	UP783TKG/000	114,3	4.50	8,7	0.343	609,6	24	1700	382	2,04	1.37
SPECIAL DELRIN® REINFORCED WITH KEVLAR® D2K AUSTENITIC STAINLESS STEEL		D2K 783T K 3 ¼	D2K783TKD/000	82,6	3.25	8,7	0.343	457,2	18	1700	382	1,76	1.19
		D2K 783T K 83,8	D2K783TKRA/000	83,8	3.30	8,7	0.343	457,2	18	1700	382	1,78	1.19
		D2K 783T K 4 ½	D2K783TKG/000	114,3	4.50	8,7	0.343	609,6	24	1700	382	2,04	1.37
NEW ECOLOGICAL FRICTION ABATING THERMOPLASTIC e-FAST.		EF 783T K 3 ¼	EF783TKD/000	82,6	3.25	8,7	0.343	457,2	18	1700	382	1,76	1.19
		EF 783T K 83,8	EF783TKRA/000	83,8	3.30	8,7	0.343	457,2	18	1700	382	1,78	1.19
		EF 783T K 4 ½	EF783TKG/000	114,3	4.50	8,7	0.343	609,6	24	1700	382	2,04	1.37



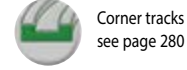
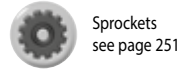
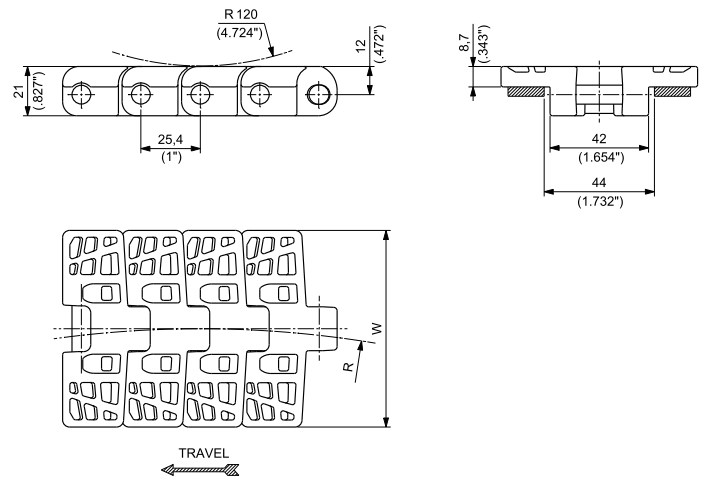
MAGNETIC
8,7 mm (0.343") THICKNESS
SOLID TOP (783M) AND FLUSH GRID (782M)
LIGHT DUTY



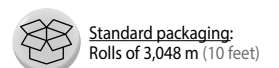
783M - SOLID TOP SURFACE



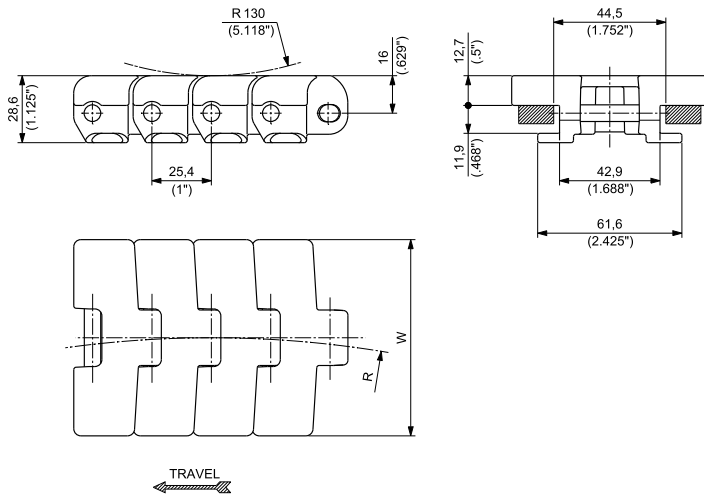
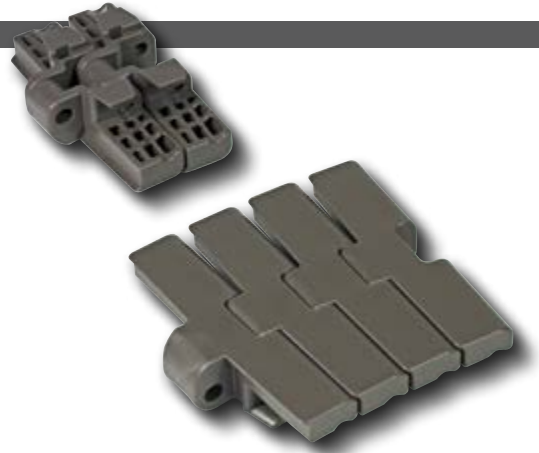
782M - FLUSH GRID SURFACE



MATERIALS		SURFACE	ITEM DESCRIPTION	PART NUMBER	WIDTH W		PLATE THICKNESS		SIDEFLEXING RADIUS R		WORKING LOAD (25°C/77°F)		WEIGHT	
Plate	Pin				mm	inch	mm	inch	mm	inch	N	lbs	kg/m	lbs/ft
ULTRA PERFORMANCE HOMOPOLYMER DELRIN® UP			UP 783M K 83,8	UP783MKRA/000	83,8	3.30	8,7	0.343	500	19.69	1700	382	1,82	1.22
SPECIAL DELRIN® REINFORCED WITH KEVLAR® DK2		SOLID TOP	D2K 783M K 83,8	D2K783MKRA/000	83,8	3.30	8,7	0.343	500	19.69	1700	382	1,82	1.22
ECOLOGICAL FRICTION ABATING THERMOPLASTIC e-FAST			EF 783M K 83,8	EF783MKRA/000	83,8	3.30	8,7	0.343	500	19.69	1700	382	1,82	1.22
ULTRA PERFORMANCE HOMOPOLYMER DELRIN® UP		MAGNETIC STAINLESS STEEL	UP 782M K 83,8	UP782MKRA/000	83,8	3.30	8,7	0.343	500	19.69	1700	382	1,71	1.15
SPECIAL DELRIN® REINFORCED WITH KEVLAR® DK2		FLUSH GRID	D2K 782M K 83,8	D2K782MKRA/000	83,8	3.30	8,7	0.343	500	19.69	1700	382	1,71	1.15
ECOLOGICAL FRICTION ABATING THERMOPLASTIC e-FAST			EF 782M K 83,8	EF782MKRA/000	83,8	3.30	8,7	0.343	500	19.69	1700	382	1,71	1.15



TAB
12,7 mm (0.5") THICKNESS
SOLID TOP
HEAVY DUTY



Matveyor



Materials
see page 12



Sprockets
see page 251



Corner tracks
see page 320



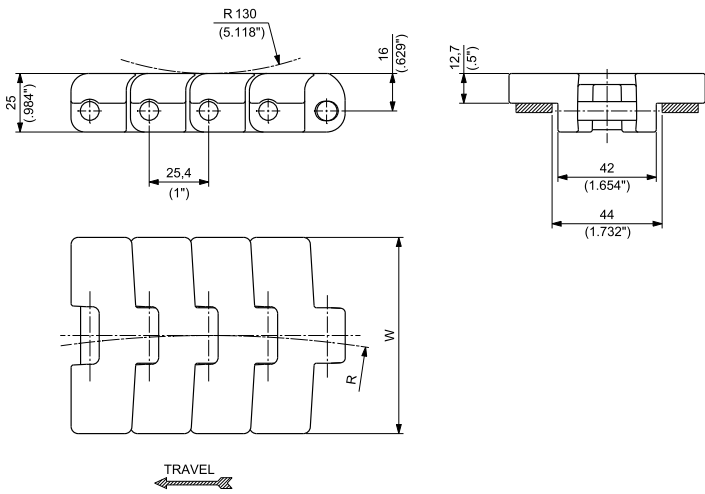
Applications
see page 22

MATERIALS		ITEM DESCRIPTION	PART NUMBER	WIDTH W		PLATE THICKNESS		SIDEFLEXING RADIUS R		WORKING LOAD (25°C/77°F)		WEIGHT	
Plate	Pin			mm	inch	mm	inch	mm	inch	N	lbs	kg/m	lbs/ft
ULTRA PERFORMANCE HOMOPOLYMER DELRIN® UP		UP 793T K 3 ¼	UP793TKD/000	82,6	3.25	12,7	0.50	457,2	18	2200	495	2,09	1.41
		UP 793T K 83,8	UP793TKRA/000	83,8	3.30	12,7	0.50	457,2	18	2200	495	2,11	1.42
		UP 793T K 4 ½	UP793TKG/000	114,3	4.50	12,7	0.50	609,6	24	2200	495	2,48	1.67
SPECIAL DELRIN® REINFORCED WITH KEVLAR® AUSTENITIC STAINLESS STEEL DK2		D2K 793T K 3 ¼	D2K793TKD/000	82,6	3.25	12,7	0.50	457,2	18	2200	495	2,09	1.41
		D2K 793T K 83,8	D2K793TKRA/000	83,8	3.30	12,7	0.50	457,2	18	2200	495	2,11	1.42
		D2K 793T K 4 ½	D2K793TKG/000	114,3	4.50	12,7	0.50	609,6	24	2200	495	2,48	1.67
ABRASION RESISTANT POLYAMIDE AR		AR 793T K 3 ¼	AR793TKD/000	82,6	3.25	12,7	0.50	457,2	18	2200	495	2,02	1.36
		AR 793T K 83,8	AR793TKRA/000	83,8	3.30	12,7	0.50	457,2	18	2200	495	2,04	1.37
		AR 793T K 4 ½	AR793TKG/000	114,3	4.50	12,7	0.50	609,6	24	2200	495	2,40	1.61



Standard packaging:
Rolls of 3,048 m (10 feet)

MAGNETIC
12,7 mm (0.5") THICKNESS
SOLID TOP
HEAVY DUTY



Materials
see page 12



Sprockets
see page 251



Corner tracks
see page 280



Applications
see page 22

MATERIALS		ITEM DESCRIPTION	PART NUMBER	WIDTH W		PLATE THICKNESS		SIDEFLEXING RADIUS R		WORKING LOAD (25°C/77°F)		WEIGHT	
Plate	Pin			mm	inch	mm	inch	mm	inch	N	lbs	kg/m	lbs/ft
ULTRA PERFORMANCE HOMOPOLYMER DELRIN® UP		UP 793M K 83,8	UP793MKRA/000	83,8	3.30	12,7	0.50	500	19.685	2200	495	2,10	1.41
		UP 793M K 4 ½	UP793MKG/000	114,3	4.50	12,7	0.50	500	19.685	2200	495	2,46	1.65
SPECIAL DELRIN® REINFORCED WITH KEVLAR® DK2	MAGNETIC STAINLESS STEEL	D2K 793M K 83,8	D2K793MKRA/000	83,8	3.30	12,7	0.50	500	19.685	2200	495	2,10	1.41
		D2K 793M K 4 ½	D2K793MKG/000	114,3	4.50	12,7	0.50	500	19.685	2200	495	2,46	1.65
ABRASION RESISTANT POLYAMIDE AR		AR 793M K 83,8	AR793MKRA/000	83,8	3.30	12,7	0.50	500	19.685	2200	495	2,04	1.37
		AR 793M K 4 ½	AR793MKG/000	114,3	4.50	12,7	0.50	500	19.685	2200	495	2,38	1.60



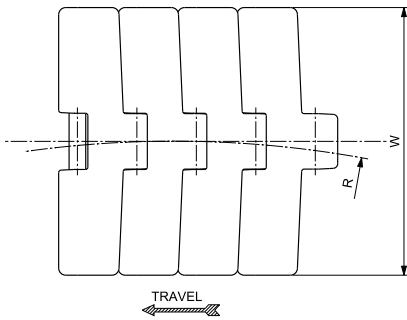
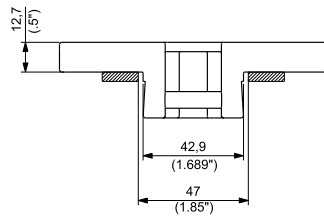
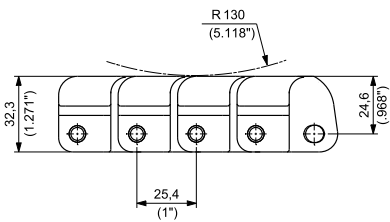
Standard packaging:
Rolls of 3,048 m (10 feet)

LOW PIN CENTER
12,7 mm (0.5") THICKNESS
SOLID TOP
HEAVY DUTY

NEW



The special Low Pin Center chain design holds the chains down flat and level in the curves, unlike conventional beveled and TAB chain styles, which lift up on the outer edges. This eliminates product tippage, especially on multi-strand conveyors. All of this comes without the extra cost of magnetic corner tracks. These chains can simply be lifted anywhere in the carry track for easy cleaning and maintenance.



Matveyor®



Materials see page 12



Sprockets see page 251



Corner tracks see page 328



Applications see page 22

MATERIALS		ITEM DESCRIPTION	PART NUMBER	WIDTH W		PLATE THICKNESS		SIDEFLEXING RADIUS R		WORKING LOAD (25°C/77°F)		WEIGHT	
Plate	Pin			mm	inch	mm	inch	mm	inch	N	lbs	kg/m	lbs/ft
ULTRA PERFORMANCE HOMOPOLYMER DELRIN® UP		UP 793L K 4 ½	UP793LKG/000	114,3	4.5	12,7	0.50	609,6	24	2200	495	2,55	1.71
	AUSTENITIC STAINLESS STEEL												
SPECIAL DELRIN® REINFORCED WITH KEVLAR® DK2		D2K 793L K 4 ½	D2K793LKG/000	114,3	4.5	12,7	0.50	609,6	24	2200	495	2,55	1.71

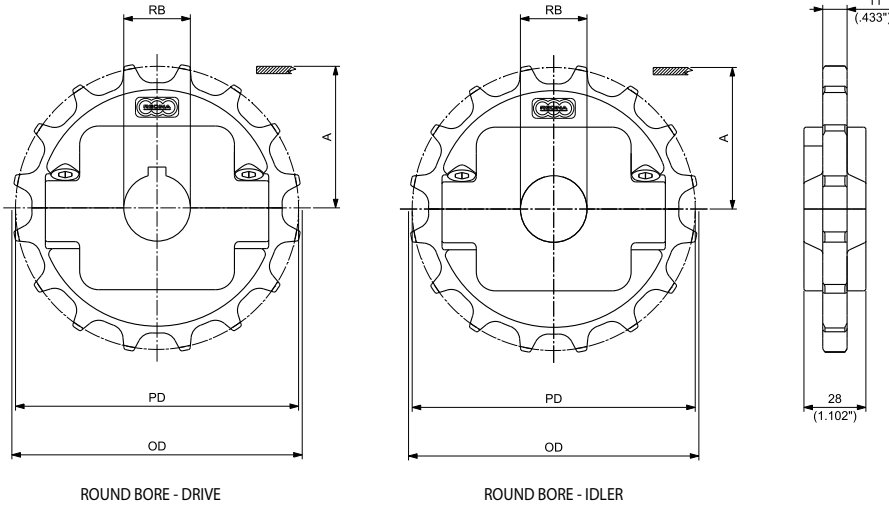


Standard packaging:
Rolls of 3,048 m (10 feet)

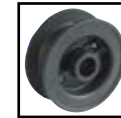
SUITABLE FOR CHAINS:

- 782M
- 783M
- 783T
- 793M
- 793T
- 793L

MATERIALS	
SPROCKETS:	PGF REINFORCED POLYAMIDE
SCREW:	SS STAINLESS STEEL
NUTS:	S+ZN ZINC PLATED STEEL



MOULDED SOLID IDLER WHEELS FOR 782M, 783M, 793M CHAINS
SEE PAGE 123



MOULDED SPLIT IDLER WHEELS FOR 782M, 783M, 793M CHAINS
SEE PAGE 186



MACHINED SPLIT IDLER WHEELS FOR 782M, 783M, 793M CHAINS
SEE PAGE 125

MOULDED SPLIT DRIVE AND IDLER SPROCKETS

N. TEETH	PITCH DIAMETER PD		OUTSIDE DIAMETER OD		WEAR STRIP POSITIONING A		BORE SIZE*		PART NUMBER ROUND BORE RB		WEIGHT	
	mm	inch	mm	inch	mm	inch	mm	inch**	DRIVE	IDLER	Kg	lbs
16	130,20	5.126	131,30	5.169	68,40	2.693	25		CMT027821601	CMT037821601	0,26	0.58
							30		CMT027821602	CMT037821602	0,26	0.57
							35		CMT027821603	CMT037821603	0,25	0.56
							40		CMT027821604	CMT037821604	0,24	0.54
							45		CMT027821605	CMT037821605	0,24	0.52
							50		CMT027821613	CMT037821613	0,23	0.50
	77,00 (for 793L chain only)				3.031		1		CMT027821606	CMT037821606	0,26	0.58
							1 3/16		CMT027821607	CMT037821607	0,26	0.57
							1 1/4		CMT027821608	CMT037821608	0,26	0.57
							1 3/8		CMT027821611	CMT037821611	0,25	0.56
							1 7/16		CMT027821609	CMT037821609	0,25	0.55
							1 1/2		CMT027821610	CMT037821610	0,25	0.55
18	146,27	5.759	147,60	5.811	76,44	3.009	25		CMT027821801	CMT037821801	0,29	0.63
							30		CMT027821802	CMT037821802	0,28	0.62
							35		CMT027821803	CMT037821803	0,28	0.61
							40		CMT027821804	CMT037821804	0,27	0.59
							45		CMT027821805	CMT037821805	0,26	0.58
							50		CMT027821813	CMT037821813	0,25	0.56
	85,04 (for 793L chain only)				3.348		1		CMT027821806	CMT037821806	0,29	0.63
							1 3/16		CMT027821807	CMT037821807	0,28	0.62
							1 1/4		CMT027821808	CMT037821808	0,28	0.62
							1 3/8		CMT027821811	CMT037821811	0,28	0.61
							1 7/16		CMT027821809	CMT037821809	0,27	0.60
							1 1/2		CMT027821810	CMT037821810	0,27	0.60
19	154,32	6.076	156,30	6.154	80,46	3.168	25		CMT027821901	CMT037821901	0,32	0.71
							30		CMT027821902	CMT037821902	0,31	0.69
							35		CMT027821903	CMT037821903	0,31	0.68
							40		CMT027821904	CMT037821904	0,30	0.66
							45		CMT027821905	CMT037821905	0,29	0.65
							50		CMT027821913	CMT037821913	0,28	0.63
	89,06 (for 793L chain only)				3.506		1		CMT027821906	CMT037821906	0,32	0.70
							1 3/16		CMT027821907	CMT037821907	0,31	0.69
							1 1/4		CMT027821908	CMT037821908	0,31	0.69
							1 3/8		CMT027821911	CMT037821911	0,31	0.68
							1 7/16		CMT027821909	CMT037821909	0,31	0.68
							1 1/2		CMT027821910	CMT037821910	0,30	0.67

*Diameter is indicated.

** Imperial round bore drive sprockets are supplied with setscrew. Metric round bore drive sprockets are supplied without setscrew.



PERFORMANCE IN MOTION

Matveyor®

1 1/4" Pitch Heavy Duty Sideflexing Belts



INDUSTRIES AND APPLICATIONS

REGINA Sideflexing belts are suitable for packaging applications requiring speed and heavy packs carriage around curves, in particular: multi packs of plastic bottles, cartons, shrink wrapped cans.

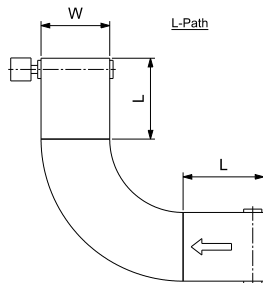
INDUSTRIES

Bottling & canning
 Food filling
 Pharmaceutical
 Paper / Cardboard
 Consumer goods



BELT CONVEYING CAPABILITY

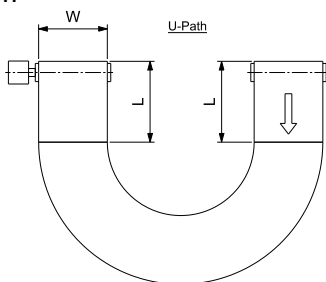
L-PATH



APPLICATION EXAMPLE 1

- Belt width W: 850 mm
- Straight section L: 1200 mm
- Curve radius: 1600 mm
- Speed: 30 m/min
- Load: N°32 shrink packs 3x2 1.SL PET in double track
- Total weight on the conveyor: 290 kg

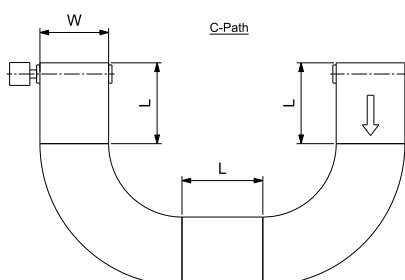
U-PATH



APPLICATION EXAMPLE 2

- Belt width W: 850 mm
- Straight section L: 1200 mm
- Curve radius: 1600 mm
- Speed: 30 m/min
- Load: N°45 shrink packs 3x2 1.SL PET in double track
- Total weight on the conveyor: 400 kg

C-PATH



APPLICATION EXAMPLE 3

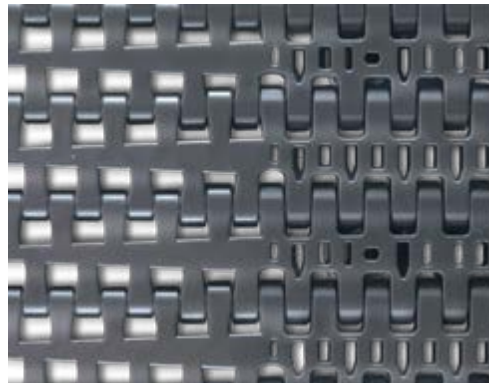
- Belt width W: 850 mm
- Straight section L: 1200 mm
- Curve radius: 1600 mm
- Speed: 30 m/min
- Load: N°55 shrink packs 3x2 1L PET in double track
- Total weight on the conveyor: 330 kg
- N° 1 drive only to link two curves

FEATURES

- Belt equipped with radial bearing.
- Split guide system to prevent overturning and provide radial force resistance in sideflexing section.



- Outer modules with reinforced hinges and larger cross-section.



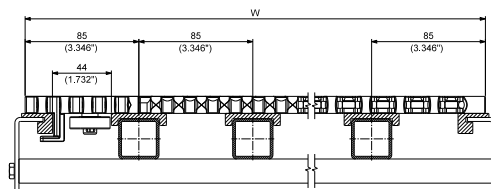
- Available in tight radius version (SR):
 - Reinforced design of the inner modules
 - Minimum ratio (1.2) between inner radius of the curve and belt width.



- "Poka yoke" design of the outer hinges.



- Guide system suitable for conveyors frame with 44 mm guide clearance.



BENEFITS

- Drastic friction reduction in curve sections.
- No curve overheating
 - Drastic wear and noise reduction
 - Smooth belt running
- No special material requirement for curve profile (UHMWPE standard)
 - Cost saving

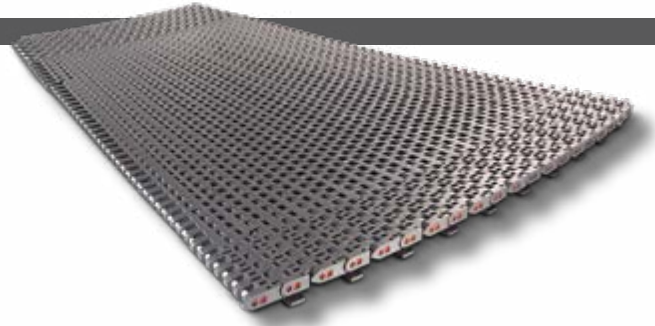
- High conveying capability for the most demanding layouts:
 - 180° single curve
 - 2x90° curves

- Higher transversal and longitudinal stiffness.
- More compact curves for reduced footprint layout.

- Prevention of any assembling mistakes.

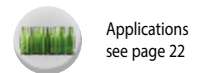
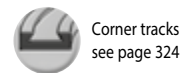
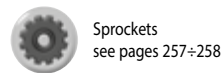
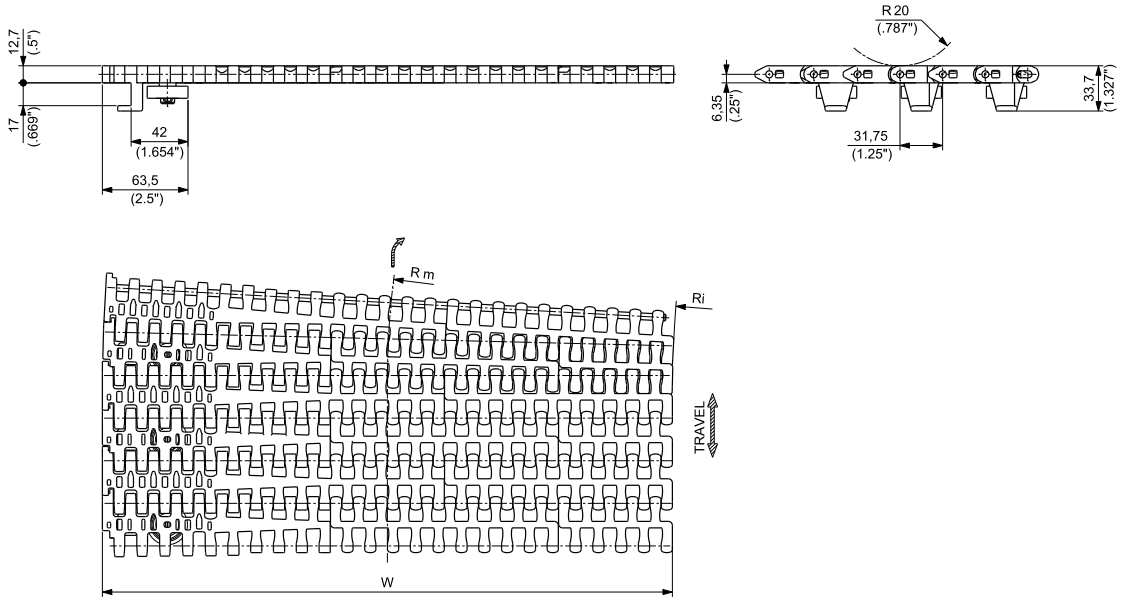
- Wear strips standardization.

TAB+BEARING
12,7 mm (0.5") THICKNESS
REINFORCED OUTER MODULES
STANDARD SIDEFLEXING RADIUS

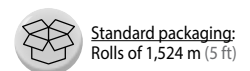


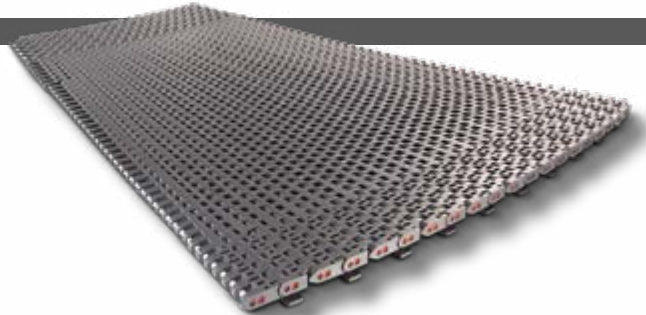
For traditional left, right or "U" turn conveying.
 Average ratio between internal sideflexing radius and width = **1.8**.
 Guide system with **one side TAB+ Stainless Steel Bearing (waterproof)**.

- **Belt widths:** from 255 mm (10.04") to 850 mm (33.46") in 85 mm (3.35") increments



MATERIALS		PART NUMBER	WIDTH W		SIDEFLEXING RADIUS				WEIGHT	
Module	Pin		mm	inch	INNER Ri		MEDIUM Rm		kg/m	lbs/ft
ULTRA PERFORMANCE HOMOPOLYMER DELRIN® UP	PBT	2556HTB-UP0255	255	10.04	472,5	18.60	600	23.62	3,24	2.18
		2556HTB-UP0340	340	13.39	630,0	24.80	800	31.50	3,97	2.67
		2556HTB-UP0425	425	16.73	787,3	31.00	1000	39.37	4,70	3.16
		2556HTB-UP0510	510	20.08	945,0	37.21	1200	47.24	5,43	3.65
		2556HTB-UP0595	595	23.43	1102,5	43.41	1400	55.12	6,16	4.14
		2556HTB-UP0680	680	26.77	1260,0	49.61	1600	62.99	6,90	4.64
		2556HTB-UP0765	765	30.12	1417,5	55.81	1800	70.87	7,63	5.13
		2556HTB-UP0850	850	33.46	1575,0	62.01	2000	78.74	8,36	5.62

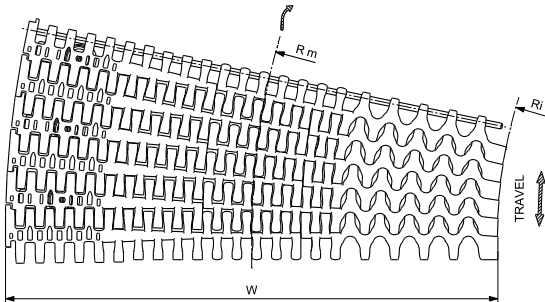
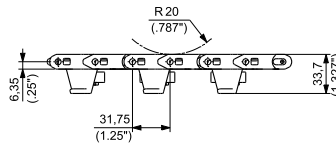
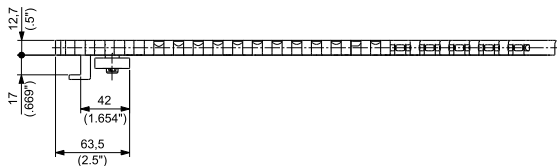




TAB+BEARING
12,7 mm (0.5") THICKNESS
REINFORCED OUTER MODULES
REDUCED SIDEFLEXING RADIUS

For traditional left, right or "U" turn conveying.
 Average ratio between internal sideflexing radius and width= **1.2**.
 Suitable to be used in more compact conveyors, saving floor space.
 For **heavy duty** applications with high working load and speed.
 Guide system with **one side TAB+Stainless Steel Bearing (waterproof)**.

- **Belt widths:** from 340 mm (13.39") to 850 mm (33.46") in 85 mm (3.35") increments



Matveyor



Materials
see page 12



Sprockets
see pages 257÷258



Corner tracks
see page 324



Applications
see page 22

MATERIALS		PART NUMBER	WIDTH W		SIDEFLEXING RADIUS				WEIGHT	
Module	Pin		mm	inch	INNER Ri		MEDIUM Rm		kg/m	lbs/ft
ULTRA PERFORMANCE HOMOPOLYMER DELRIN® UP	PBT	2556HTB-SRUP0340	340	13.39	330,0	12.99	500	19.69	3,91	2.63
		2556HTB-SRUP0425	425	16.73	387,5	15.26	600	23.62	4,70	3.16
		2556HTB-SRUP0510	510	20.08	545,0	21.46	800	31.50	5,43	3.65
		2556HTB-SRUP0595	595	23.43	702,5	27.66	1000	39.37	6,17	4.15
		2556HTB-SRUP0680	680	26.77	860,0	33.86	1200	47.24	6,90	4.64
		2556HTB-SRUP0765	765	30.12	1017,5	40.06	1400	55.12	7,63	5.13
		2556HTB-SRUP0850	850	33.46	1175,5	46.26	1600	62.99	8,36	5.62



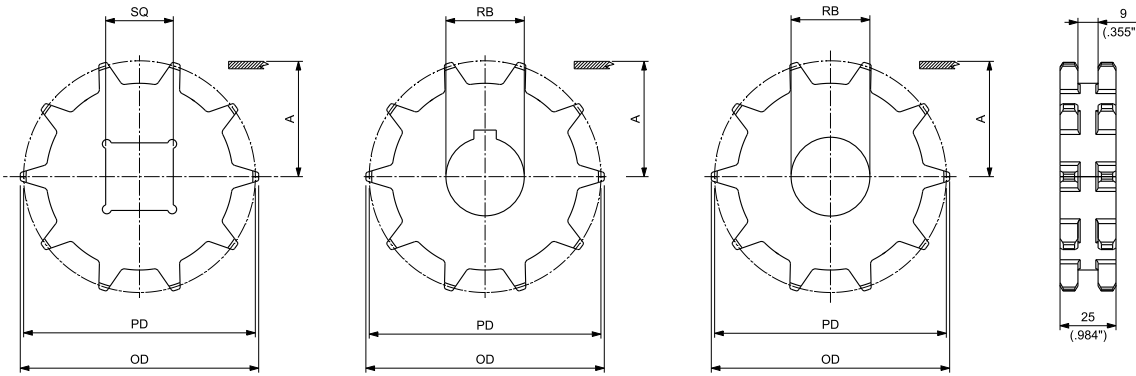
Standard packaging:
Rolls of 1,524 m (5 ft)

SUITABLE FOR CHAINS:

- 2556HTB
- 2556HTB-SR

MATERIALS

SPROCKETS: **PA** POLYAMIDE



SQUARE BORE - DRIVE/IDLER

ROUND BORE - DRIVE

ROUND BORE - IDLER

MACHINED DOUBLE ROW SOLID DRIVE AND IDLER SPROCKETS

N. TEETH	PITCH DIAMETER PD		OUTSIDE DIAMETER OD		WEAR STRIP POSITIONING A		BORE SIZE**		PART NUMBER			WEIGHT		
	mm	inch	mm	inch	mm	inch	mm	inch***	SQUARE BORE SQ DRIVE/IDLER	ROUND BORE RB DRIVE	ROUND BORE RB IDLER	Kg	lbs	
8*	82,97	3.267	86,50	3.406	35,14	1.383	30		MPBAT255508D30	MPBAF255508D30		0,08	0.17	
							35		MPBAT255508D35	MPBAF255508D35		0,07	0.16	
							1		MPBAT255508D254	MPBAF255508D254		0,08	0.19	
							1¼		MPBAT255508D317	MPBAF255508D317		0,08	0.17	
10	102,75	4.045	106,50	4.193	45,03	1.773	30		MPBAT255510D30	MPBAF255510D30		0,15	0.32	
							35		MPBAT255510D35	MPBAF255510D35		0,14	0.31	
							40		MPBAQ255510D40	MPBAT255510D40	MPBAF255510D40		0,13	0.29
							1		MPBAT255510D254	MPBAF255510D254		0,16	0.34	
							1¼		MPBAT255510D317	MPBAF255510D317		0,15	0.32	
							1½		MPBAQ255510D381	MPBAT255510D381	MPBAF255510D381		0,14	0.30

*For some shaft dimensions, shaft needs to be properly machined down to avoid interference with the belt tabs. Please contact REGINA Application Engineering for more details.

**In case of round bore, diameter is indicated. In case of square bore, side of the square is indicated.

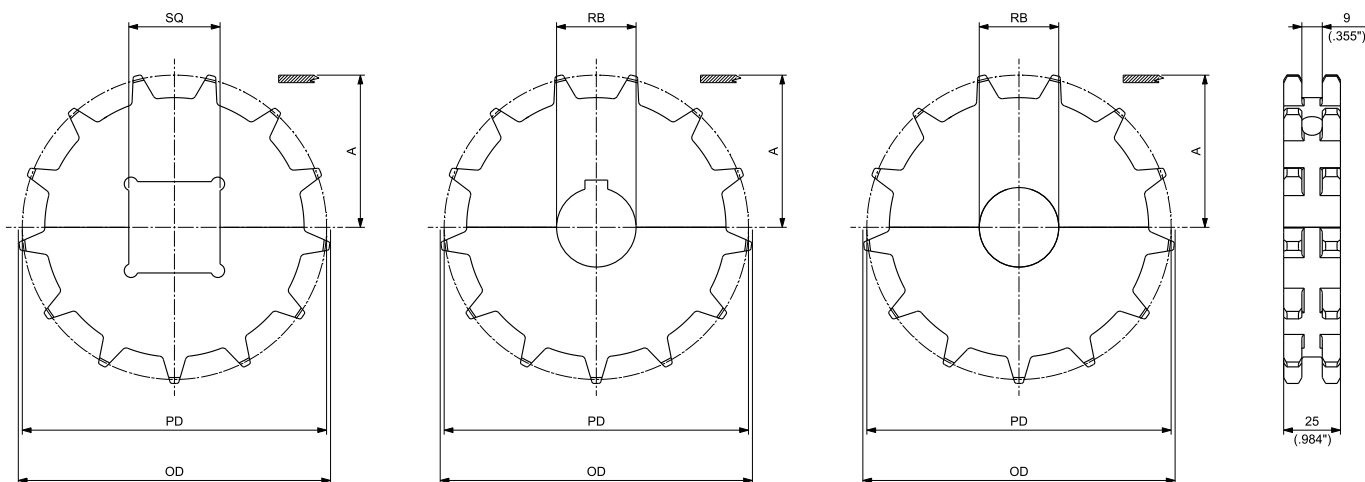
*** Imperial round bore drive sprockets are supplied with setscrew. Metric round bore drive sprockets are supplied without setscrew.

SUITABLE FOR CHAINS:

- 2556HTB
- 2556HTB-SR

MATERIALS

SPROCKETS:	PA	POLYAMIDE
SCREWS:	SS	STAINLESS STEEL
NUTS:	B	BRASS



ROUND BORE - DRIVE

ROUND BORE - IDLER

SQUARE BORE - DRIVE/IDLER

MACHINED DOUBLE ROW SPLIT DRIVE AND IDLER SPROCKETS

N. TEETH	PITCH DIAMETER		OUTSIDE DIAMETER		WEAR STRIP POSITIONING		BORE SIZE*		SQUARE BORE SQ DRIVE/IDLER	PART NUMBER		WEIGHT	
	PD mm	inch	OD mm	inch	A mm	inch	mm	inch**		DRIVE	IDLER	Kg	lbs
10	102,75	4.045	106,50	4.193	45,03	1.773	30			MPBAST255510D30	MPBASQ255510D30	0,18	0.40
							35			MPBAST255510D35	MPBASQ255510D35	0,17	0.37
							40			MPBAST255510D40	MPBASQ255510D40	0,16	0.35
							1			MPBAST255510D254	MPBASQ255510D254	0,19	0.42
							1¼			MPBAST255510D317	MPBASQ255510D317	0,18	0.40
							1½			MPBAST255510D381	MPBASQ255510D381	0,17	0.37
13	132,67	5.223	137,50	5.413	59,99	2.362	30			MPBAST255513D30	MPBASQ255513D30	0,30	0.66
							35			MPBAST255513D35	MPBASQ255513D35	0,29	0.64
							40			MPBAST255513D40	MPBASQ255513D40	0,28	0.62
							1			MPBAST255513D254	MPBASQ255513D254	0,30	0.67
							1¼			MPBAST255513D317	MPBASQ255513D317	0,30	0.65
							1½			MPBAST255513D381	MPBASQ255513D381	0,29	0.63
15	152,71	6.012	158,00	6.220	70,01	2.756	30			MPBAST255515D30	MPBASQ255515D30	0,41	0.91
							35			MPBAST255515D35	MPBASQ255515D35	0,41	0.89
							40			MPBAST255515D40	MPBASQ255515D40	0,40	0.88
							1			MPBAST255515D254	MPBASQ255515D254	0,42	0.92
							1¼			MPBAST255515D317	MPBASQ255515D317	0,41	0.91
							1½			MPBAST255515D381	MPBASQ255515D381	0,40	0.88
16	162,75	6.407	168,00	6.614	75,03	2.954	30			MPBAST255516D30	MPBASQ255516D30	0,48	1.05
							35			MPBAST255516D35	MPBASQ255516D35	0,47	1.04
							40			MPBAST255516D40	MPBASQ255516D40	0,46	1.02
							1			MPBAST255516D254	MPBASQ255516D254	0,48	1.07
							1¼			MPBAST255516D317	MPBASQ255516D317	0,48	1.05
							1½			MPBAST255516D381	MPBASQ255516D381	0,47	1.03

*In case of round bore, diameter is indicated. In case of square bore, side of the square is indicated.

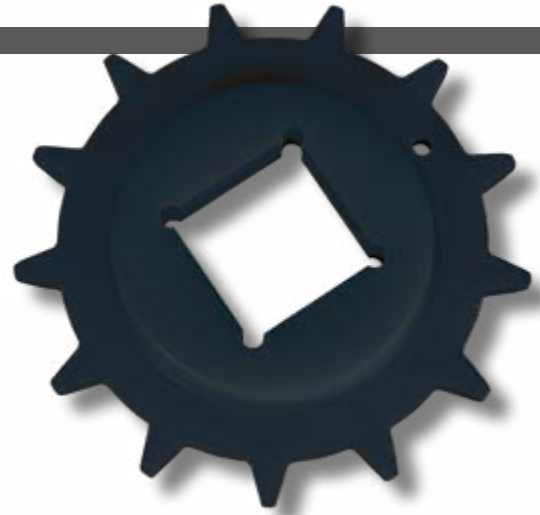
**Imperial round bore drive sprockets are supplied with setscrew. Metric round bore drive sprockets are supplied without setscrew.

SUITABLE FOR CHAINS:

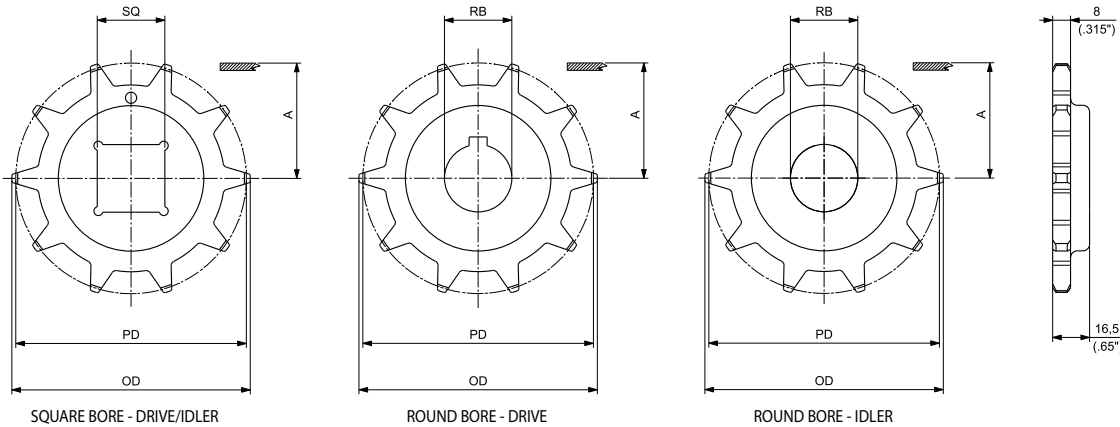
- 2556HTB-SR

MATERIALS

SPROCKETS: **PA** POLYAMIDE



These sprockets are used for 2556HTB-SR belts only.
One drive and one idler sprocket are needed for each belt regardless of its width.
For more information on the correct position of these sprockets please contact REGINA Application Engineers.



MACHINED SOLID DRIVE AND IDLER SPROCKETS

N. TEETH	PITCH DIAMETER PD		OUTSIDE DIAMETER OD		WEAR STRIP POSITIONING A		BORE SIZE**		PART NUMBER			WEIGHT	
	mm	inch	mm	inch	mm	inch	mm	inch***	SQUARE BORE SQ DRIVE/IDLER	ROUND BORE RB DRIVE	ROUND BORE RB IDLER	Kg	lbs
8*	82,97	3.267	86,50	3.406	35,14	1.383	35		MPBAT25550830	MPBAF25550830		0,04	0.09
							40		MPBAT25550835	MPBAF25550835		0,03	0.08
							1		MPBAT255508254	MPBAF255508254		0,04	0.10
							1¼		MPBAT255508317	MPBAF255508317		0,04	0.08
10	102,75	4.045	106,50	4.193	45,03	1.773	30		MPBAT25551030	MPBAF25551030		0,08	0.17
							35		MPBAT25551035	MPBAF25551035		0,07	0.16
							40	MPBAQ25551040	MPBAT25551040	MPBAF25551040		0,06	0.14
							1		MPBAT255510254	MPBAF255510254		0,08	0.18
							1¼		MPBAT255510317	MPBAF255510317		0,07	0.16
							1½	MPBAQ255510381	MPBAT255510381	MPBAF255510381		0,07	0.15

*For some shaft dimensions, shaft needs to be properly machined down to avoid interference with the belt tabs. Please contact REGINA Application Engineering for more details.

**In case of round bore, diameter is indicated. In case of square bore, side of the square is indicated.

*** Imperial round bore drive sprockets are supplied with setscrew. Metric round bore drive sprockets are supplied without setscrew.

SUITABLE FOR CHAINS:

- 2556HTB-SR

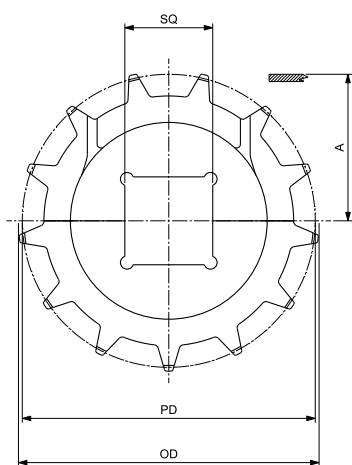
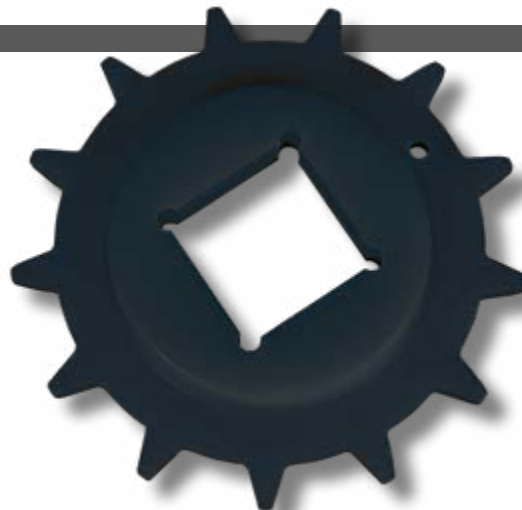
MATERIALS

SPROCKETS: **PA** POLYAMIDE

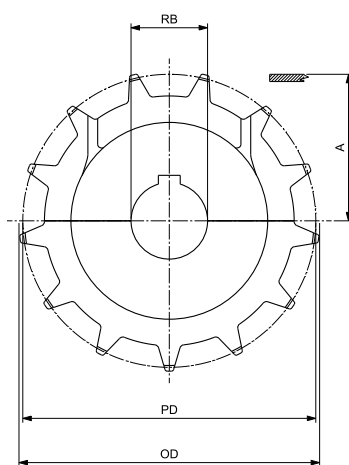
SCREWS: **SS** STAINLESS STEEL

NUTS: **B** BRASS

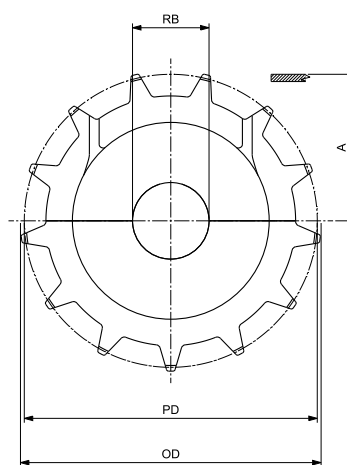
These sprockets are used for 2556HTB-SR belts only.
One drive and one idler sprocket are needed for each belt regardless of its width.
For more information on the correct position of these sprockets please contact REGINA Application Engineers.



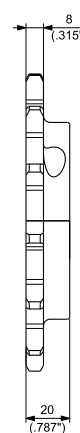
SQUARE BORE - DRIVE/IDLER



ROUND BORE - DRIVE



ROUND BORE - IDLER



MACHINED SPLIT DRIVE AND IDLER SPROCKETS

N. TEETH	PITCH DIAMETER PD		OUTSIDE DIAMETER OD		WEAR STRIP POSITIONING A		BORE SIZE*	PART NUMBER			WEIGHT	
	mm	inch	mm	inch	mm	inch		SQUARE BORE SQ DRIVE/IDLER	ROUND BORE RB DRIVE	ROUND BORE RB IDLER	Kg	lbs
10	102,75	4.045	106,50	4.193	45,03	1.773	30	MPBAST25551030	MPBASQ25551030	MPBASQ25551030	0,11	0.24
							35	MPBAST25551035	MPBASQ25551035	0,10	0.22	
							1	MPBAST255510254	MPBASQ255510254	0,12	0.26	
							1¼	MPBAST255510317	MPBASQ255510317	0,11	0.24	
13	132,67	5.223	137,50	5.413	59,99	2.362	30	MPBAST25551330	MPBASQ25551330	MPBASQ25551330	0,20	0.43
							35	MPBAST25551335	MPBASQ25551335	MPBASQ25551335	0,19	0.42
							40	MPBAST25551340	MPBASQ25551340	MPBASQ25551340	0,18	0.40
							1	MPBAST255513254	MPBASQ255513254	MPBASQ255513254	0,20	0.44
							1¼	MPBAST255513317	MPBASQ255513317	MPBASQ255513317	0,19	0.43
							1½	MPBAST255513381	MPBASQ255513381	MPBASQ255513381	0,19	0.41
15	152,71	6.012	158,00	6.220	70,01	2.756	30	MPBAST25551530	MPBASQ25551530	MPBASQ25551530	0,26	0.58
							35	MPBAST25551535	MPBASQ25551535	MPBASQ25551535	0,26	0.57
							40	MPBAST25551540	MPBASQ25551540	MPBASQ25551540	0,25	0.56
							1	MPBAST255515254	MPBASQ255515254	MPBASQ255515254	0,27	0.59
							1¼	MPBAST255515317	MPBASQ255515317	MPBASQ255515317	0,26	0.58
1½	MPBAST255515381	MPBASQ255515381	MPBASQ255515381	0,25	0.56							
16	162,75	6.407	168,00	6.614	75,03	2.954	30	MPBAST25551630	MPBASQ25551630	MPBASQ25551630	0,29	0.63
							35	MPBAST25551635	MPBASQ25551635	MPBASQ25551635	0,28	0.62
							40	MPBAST25551640	MPBASQ25551640	MPBASQ25551640	0,27	0.60
							1	MPBAST255516254	MPBASQ255516254	MPBASQ255516254	0,29	0.64
							1¼	MPBAST255516317	MPBASQ255516317	MPBASQ255516317	0,28	0.63
							1½	MPBAST255516381	MPBASQ255516381	MPBASQ255516381	0,28	0.61

*In case of round bore, diameter is indicated. In case of square bore, side of the square is indicated.

** Imperial round bore drive sprockets are supplied with setscrew. Metric round bore drive sprockets are supplied without setscrew.

SUITABLE FOR CHAINS:

• 2556HTB-SR

MATERIALS

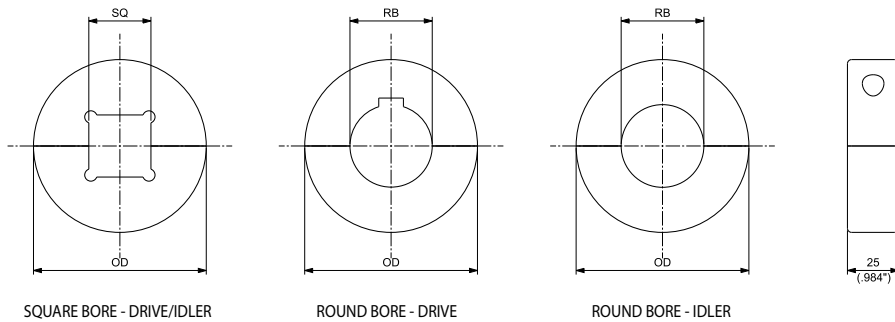
SPROCKETS: **PA** POLYAMIDE

SCREWS: **SS** STAINLESS STEEL

INSERTS: **B** BRASS



These supporting wheels are used for 2556HTB-SR belts only in order to support the inner module. Two supporting wheels are needed (for drive and idler shaft) for each belt regardless of its width. For more information on the correct position of these sprockets please contact REGINA Application Engineers.



MACHINED SPLIT SUPPORTING WHEELS

N. TEETH	OUTSIDE DIAMETER OD		BORE SIZE*		PART NUMBER				WEIGHT	
	mm	inch	mm	inch	SQUARE BORE SQ		ROUND BORE RB		Kg	lbs
					DRIVE/IDLER	DRIVE	DRIVE	IDLER		
8	63	2.480	30			CC255001		CC255029	0,08	0.18
			35			CC255002		CC255030	0,07	0.16
			1			CC255003		CC255031	0,09	0.19
			1 1/4			CC255004		CC255032	0,08	0.17
10	84	3.307	30			CC255005		CC255033	0,16	0.35
			35			CC255006		CC255034	0,15	0.34
			40		CC255057	CC255007		CC255035	0,14	0.32
			1			CC255008		CC255036	0,17	0.37
			1 1/4			CC255009		CC255037	0,16	0.35
			1 1/2		CC255058	CC255010		CC255038	0,15	0.33
13	115	4.528	30			CC255011		CC255039	0,30	0.66
			35			CC255012		CC255040	0,29	0.64
			40		CC255059	CC255013		CC255041	0,28	0.62
			1			CC255014		CC255042	0,30	0.67
			1 1/4			CC255015		CC255043	0,30	0.65
			1 1/2		CC255060	CC255016		CC255044	0,29	0.63
15	135	5.315	30			CC255017		CC255045	0,41	0.91
			35			CC255018		CC255046	0,41	0.89
			40		CC255061	CC255019		CC255047	0,40	0.88
			1			CC255020		CC255048	0,42	0.92
			1 1/4			CC255021		CC255049	0,41	0.91
			1 1/2		CC255062	CC255022		CC255050	0,40	0.88
16	145	5.709	30			CC255023		CC255051	0,48	1.05
			35			CC255024		CC255052	0,47	1.03
			40		CC255063	CC255025		CC255053	0,46	1.01
			1			CC255026		CC255054	0,48	1.06
			1 1/4			CC255027		CC255055	0,47	1.04
			1 1/2		CC255064	CC255028		CC255056	0,46	1.02

*In case of round bore, diameter is indicated. In case of square bore, side of the square is indicated.



PERFORMANCE IN MOTION

Matveyor®

2" Pitch Heavy Duty Raised Rib Belts



INDUSTRIES AND APPLICATIONS

Suitable for handling mainly loose products, such as plastic and glass bottles, aluminium & steel cans, in heavy duty applications.

INDUSTRIES

Bottling and canning
Food filling
Container manufacturing

APPLICATIONS

Pasteurizers
Warmers
Coolers
Accumulation tables

FEATURES

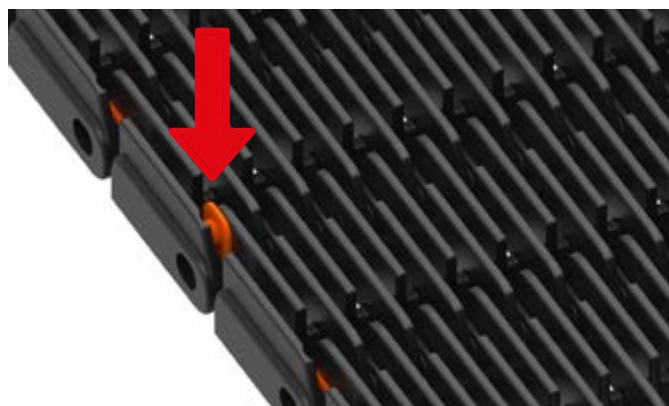
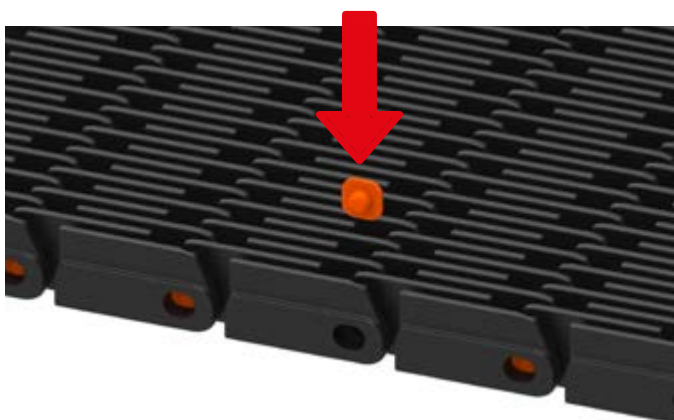
- Optimized ratio rib thickness/ribs spacing and special clips design guarantee uniform top surface and high support of the most unstable products such as PET bottles with petaloid bottom.
- Optimum combination open area / mechanical strength allows very good liquid drainage and high product load with long center to center distances.
- Clips integrated in the modules for seamless product support at the edges of the belt.
- Contrasting colour of the integrated clip makes it easy to identify the clip itself for safer working conditions.



BELT ASSEMBLY

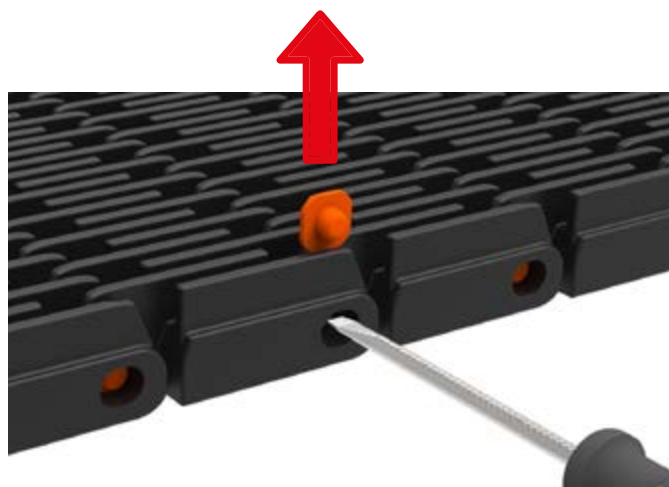
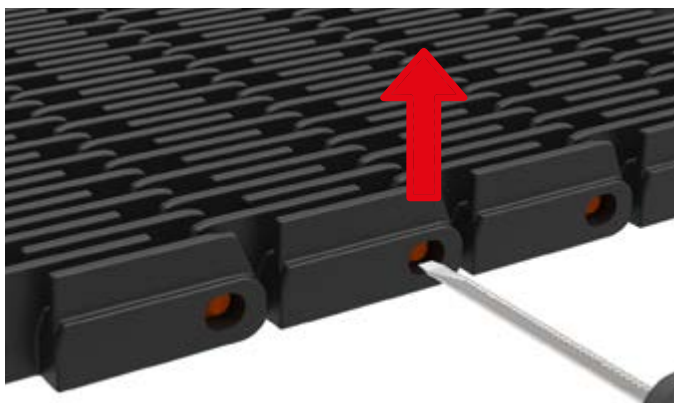


1) In order to link two belt sections, push the pin in.



2) Insert the clip into the belt pocket securing it with the help of a screwdriver.

BELT DISASSEMBLY



1) Insert a screwdriver into the side hole of the belt and lift the clip.

2) Repeat the same operations on the other side of the belt and then push the plastic pin out using the screwdriver.

14,2 mm (0.580") THICKNESS

RAISED RIB

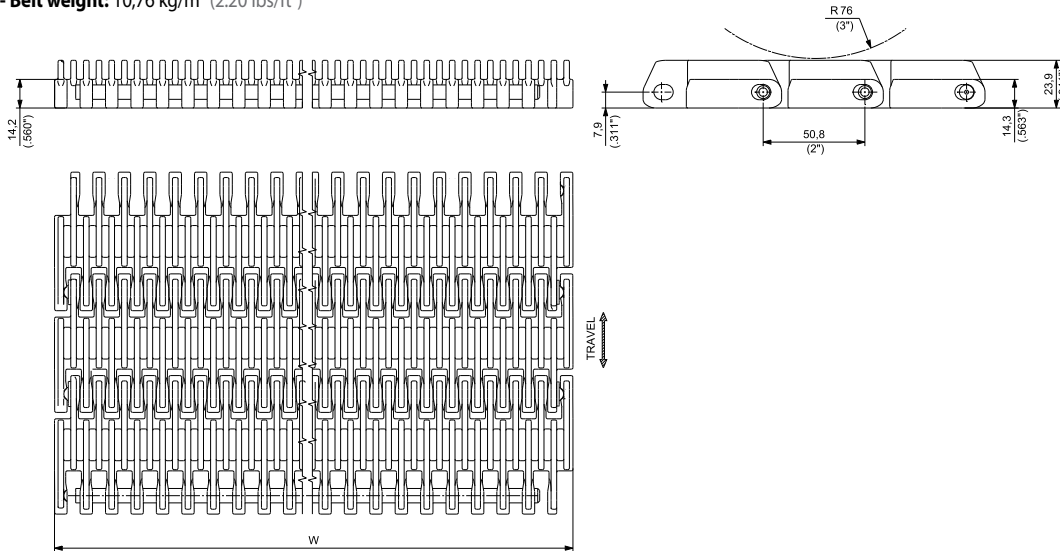
SEAMLESS PRODUCT SUPPORT AT THE EDGES OF THE BELT

NEW



3125 belt is ideal for pasteurizer applications where the most unstable products such as PET bottles with petaloid bottom have to be conveyed. The raised rib surface shows no discontinuity between modules both along the belt width and the belt travel direction, allowing containers to slide across easily without the risk of product tippage throughout the tunnel pasteurizer.

- **Belt widths:** 304,8 mm (12") or wider in 76,2 mm (3") increments
- **Working Load (at 25°C/77°F):** 24670 N/m (1690 lbs/ft)
- **Belt weight:** 10,76 kg/m² (2.20 lbs/ft²)



Materials see page 12



Combs see pages 266÷267



Sprockets see pages 268÷269



Applications see page 22

WIDTH W		MATERIALS	
		Module	Pin
		PP	SPECIAL POLYPROPYLENE
		PART NUMBER	
mm	inch		
304,8	12		3125PP012
381,0	15		3125PP015
457,2	18		3125PP018
533,4	21		3125PP021
609,6	24		3125PP024
685,8	27		3125PP027
762,0	30		3125PP030
838,2	33		3125PP033
914,4	36		3125PP036
990,6	39		3125PP039
1066,8	42		3125PP042
1143,0	45		3125PP045
1219,2	48		3125PP048
1295,4	51		3125PP051
1371,6	54		3125PP054
1447,8	57		3125PP057
1524,0	60		3125PP060
			POLYPROPYLENE

Belts wider than 1524 mm (60") are available in 76,2 (3") increments.
 To identify the Part Numbers, please substitute the last three digits of the PN with the desired width.
 Example: for a 63" wide belt (=60+3 inches), the PN is "3125PP063".
 On request belts are available in 1.5" (38,1 mm) increments starting from 12" (304,8 mm).
 To identify the PN, please add letter "M" to the integer number of the desired width.
 Example: 45+1.5=46,5 inches width, the PN is "3125PP046M".



Standard packaging:
 Belts are supplied in the length requested by the customer.

TRANSFER COMBS

Combs are supplied complete with slot covers but without fastening screws.
 Two fastening screws are required for each comb.
 They can be ordered using P/N 16300005.
 Special note: the comb fastening screws for 3125 belts are not interchangeable with fastening screws for 1110 belts.



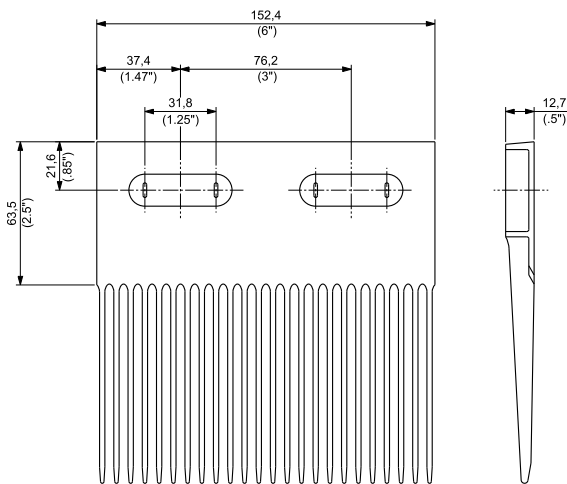
MATERIALS

COMBS: **DG** ACETAL RESIN

SCREWS*: **SS** STAINLESS STEEL

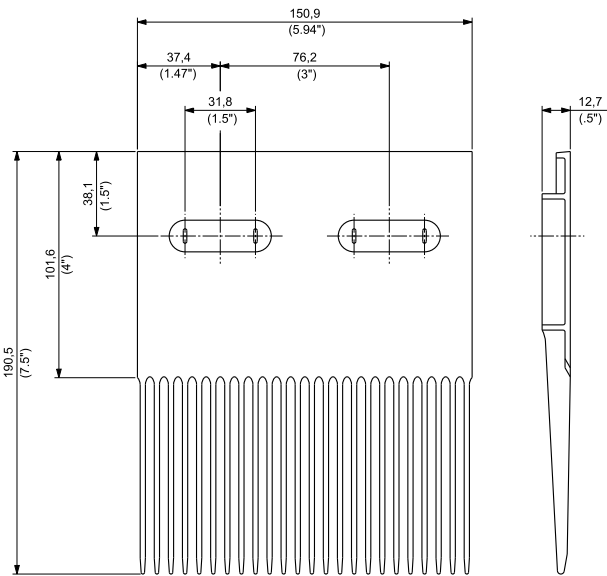
*Screws are not included in the combs.

LONG FINGER COMB

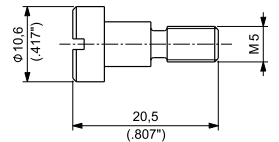


PART NUMBER **TC3000-01**

LONG FINGER COMB

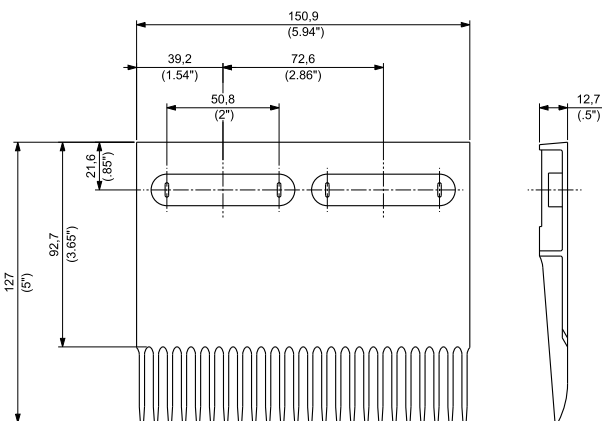


PART NUMBER **TC3000-02**



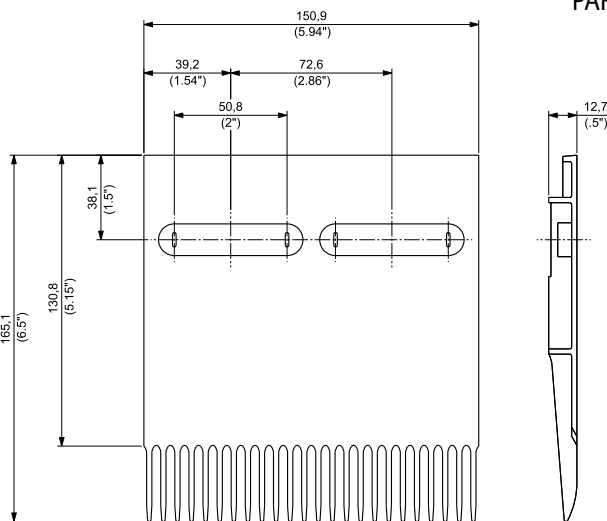
PART NUMBER **16300005**

SHORT FINGER COMB



PART NUMBER **TC3000-03**

SHORT FINGER COMB



PART NUMBER **TC3000-04**

TRANSFER COMBS

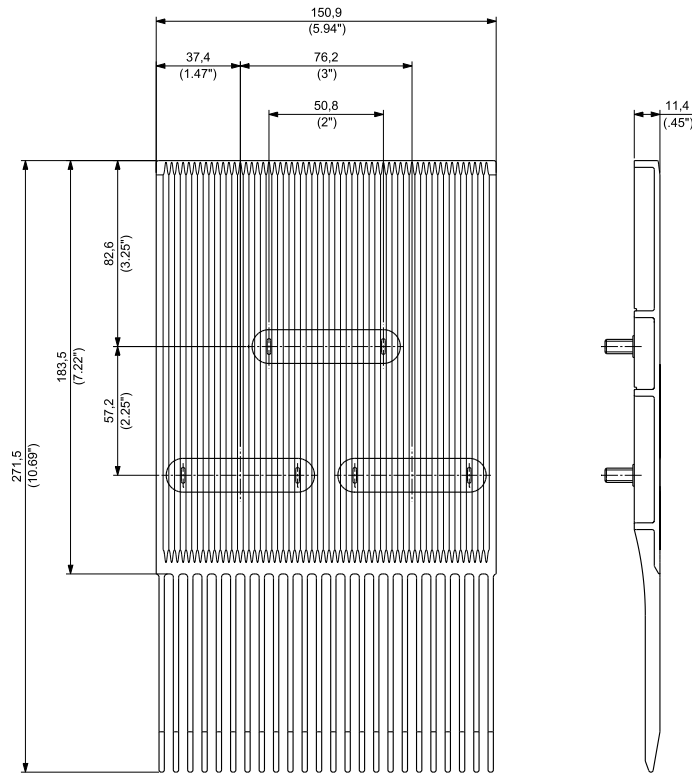
Combs are supplied complete with slot covers, bushings and fastening screws type hex socket button head $\frac{1}{4}$ " x $\frac{5}{8}$ " UNI-ISO 7380.



MATERIALS

COMBS: **DG** ACETAL RESIN

SCREWS: **SS** STAINLESS STEEL



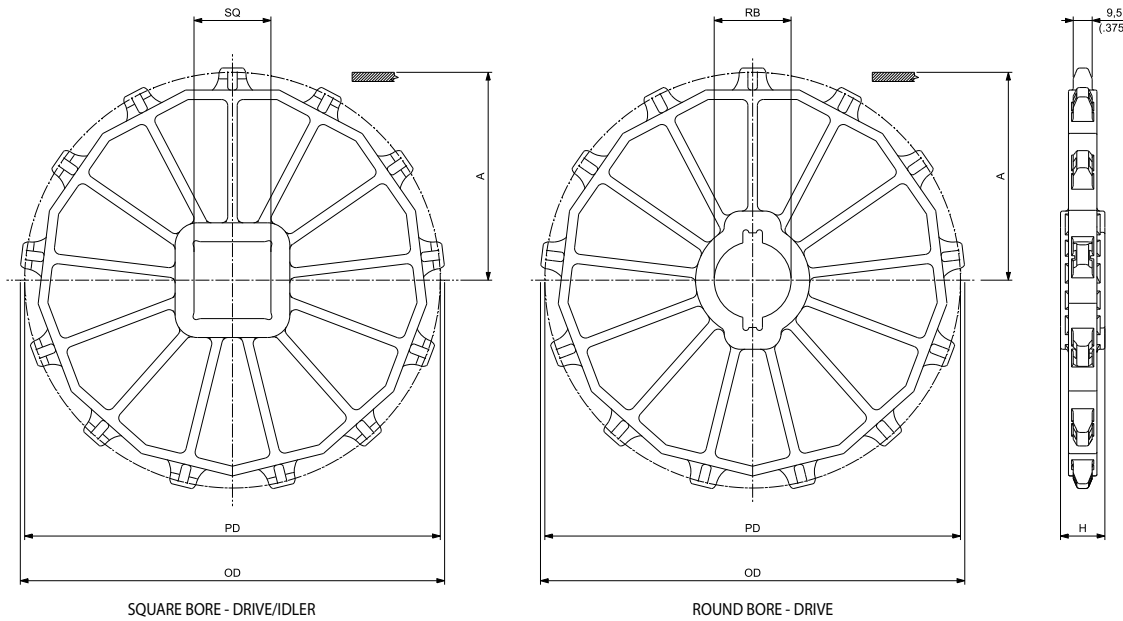
PART NUMBER **TC3000-05**

SUITABLE FOR CHAINS:

• 3125

MATERIALS

SPROCKETS: **WA** ACETAL RESIN



SQUARE BORE - DRIVE/IDLER

ROUND BORE - DRIVE

MOULDED SOLID DRIVE AND IDLER SPROCKETS

N. TEETH	PITCH DIAMETER PD		OUTSIDE DIAMETER OD		WEAR STRIP POSITIONING A		BORE SIZE*		PART NUMBER		HUB WIDTH H		WEIGHT	
	mm	inch	mm	inch	mm	inch	mm	inch	SQ BORE DRIVE/IDLER	ROUND BORE DRIVE	mm	inch	Kg	lbs
10	164,39	6.472	162,60	6.402	74,30	2.925	40		19200026	19200038	22,20	0.874	0,20	0.44
							50			19200036	22,20	0.874	0,21	0.46
							60		19200024		47,60	1.874	0,29	0.64
							65		19200027		47,60	1.874	0,25	0.55
							1½		19200016	19200009	22,20	0.874	0,19	0.43
							2		19200017	19200010	22,20	0.874	0,23	0.51
							2½		19200018		47,60	1.874	0,27	0.59
13	212,27	8.357	212,30	8.358	98,20	3.866	40		19200025		22,20	0.874	0,33	0.74
							60		19200037		47,60	1.874	0,44	0.97
							65			19200033	22,20	0.874	0,32	0.71
							65		19200030	19200053	47,60	1.874	0,39	0.86
							90		19200031	19200045	47,60	1.874	0,41	0.91
							1½		19200019	19200001	47,60	1.874	0,34	0.75
							2½			19200011	22,20	0.874	0,41	0.90
							2½		19200020		47,60	1.874	0,45	0.99
3½		19200021	19200046	22,20	0.874	0,43	0.94							
16	260,40	10.252	261,60	10.299	122,26	4.813	65		19200034		47,60	1.874	0,50	1.11
							90		19200035	19200054	47,60	1.874	0,54	1.19
							120		19200038		47,60	1.874	0,52	1.15
							2½		19200014	19200050	47,60	1.874	0,52	1.15
							3½		19200015	19200051	47,60	1.874	0,54	1.19

*In case of round bore, diameter is indicated. In case of square bore, side of the square is indicated.

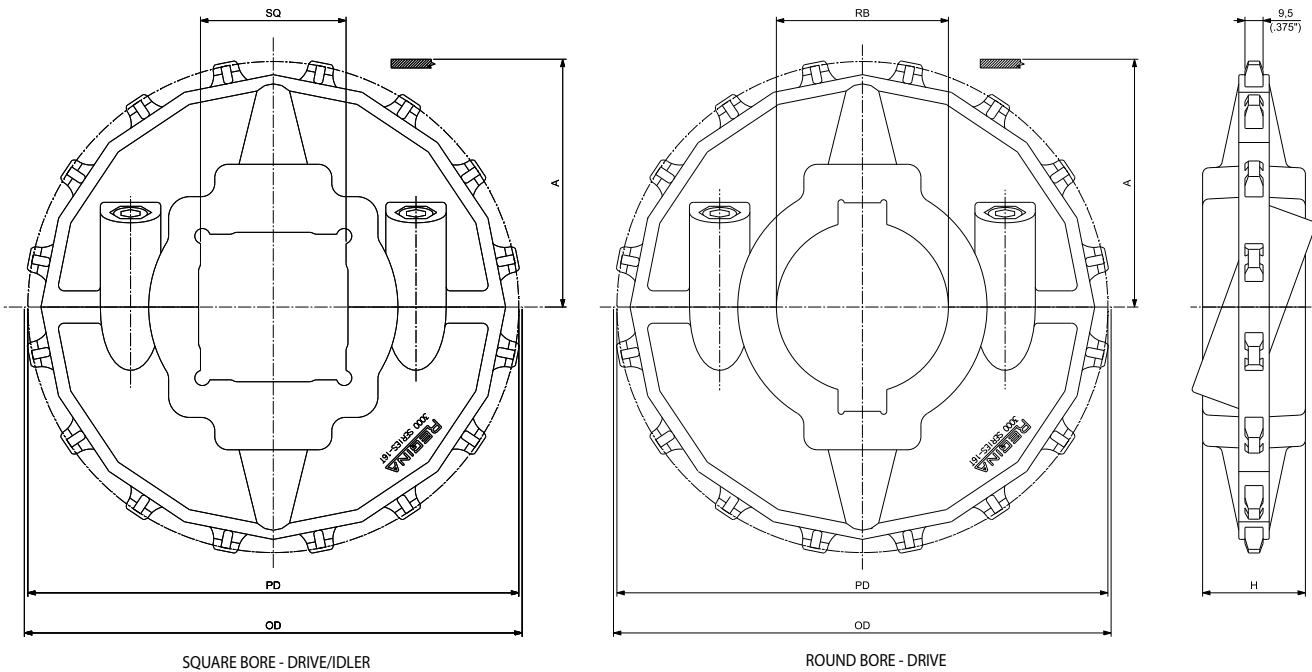
SUITABLE FOR CHAINS:
• 3125

MATERIALS

SPROCKETS: **WA** ACETAL RESIN

SCREWS: **SS** STAINLESS STEEL

NUTS: **SS** STAINLESS STEEL



MOULDED SPLIT DRIVE AND IDLER SPROCKETS

N. TEETH	PITCH DIAMETER PD		OUTSIDE DIAMETER OD		WEAR STRIP POSITIONING A		BORE SIZE*		PART NUMBER		HUB WIDTH H		WEIGHT	
	mm	inch	mm	inch	mm	inch	mm	inch	SQUARE BORE SQ	ROUND BORE RB	mm	inch	Kg	lbs
									DRIVE/IDLER	DRIVE				
16	260,40	10.252	261,40	10.291	122,26	4.813	65		19200111W	19200109W	54,00	2.126	1,85	4.08
							90		19200114W	19200112W	54,00	2.126	1,56	3.44
							2½		19200105W	19200103W	54,00	2.126	1,86	4.10
							3½		19200108W	19200106W	54,00	2.126	1,57	3.45

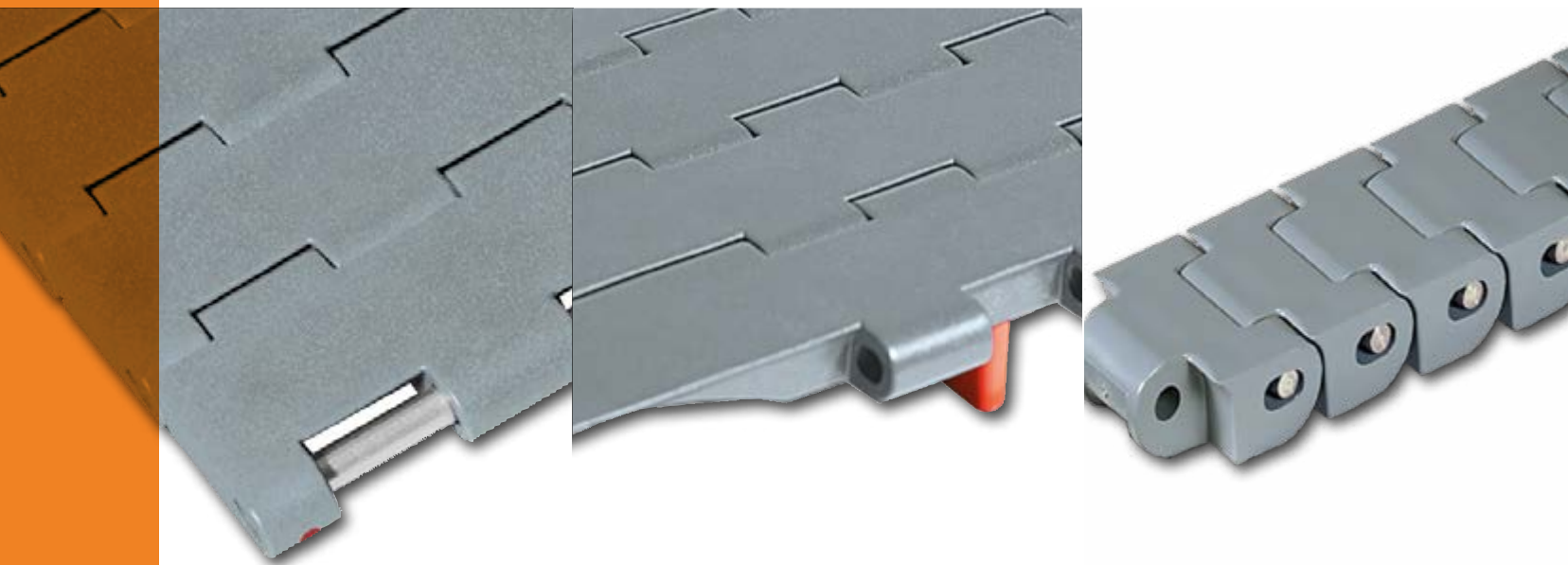
*In case of round bore, diameter is indicated. In case of square bore, side of the square is indicated.



PERFORMANCE IN MOTION

ULTOP[®]

**1 1/2" Pitch Heavy Duty
UCC Chains**



INDUSTRIES AND APPLICATIONS

Suitable for handling loose & packaged products, such as plastic & glass bottles and aluminium & steel cans, in heavy duty applications.

INDUSTRIES

- Bottling and canning
- Food filling
- Container manufacturing
(in particular glass bottles)
- Consumer goods

APPLICATIONS

- Depalletizer
- Pressureless Inliners and Combiners
- Single lane and Mass conveyors
- Case conveyors



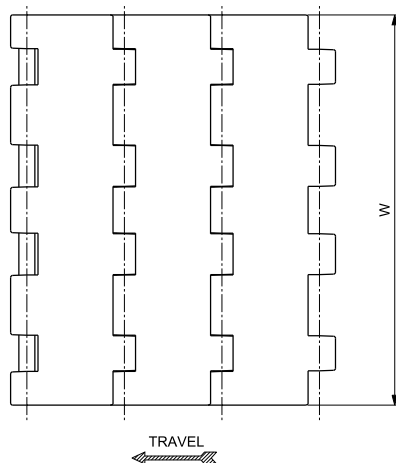
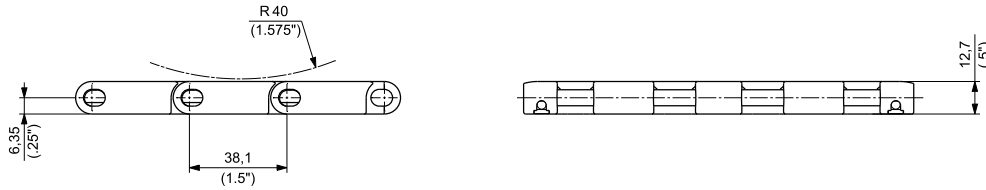
FEATURES

- Optimized edge profile combined with completely closed surface, with no gaps even when engaging the sprockets, allow smooth side transfer of products, even in presence of different thicknesses due to normal wear.
- Chains equipped with stainless steel pins for the maximum mechanical and wear resistance.
- Retention special clip (Snapsert™) can be easily moved from either side allowing easy chain assembly and disassembly.



12,7 mm (0.5") THICKNESS SOLID TOP

Stainless steel pins for ideal performance in heavy duty applications.
A complete range of dedicated width chains. Completely closed surface, no gap between the modules, even with engaging in the sprockets. Particularily suitable for glass bottling lines and glass manufacturing industry.



Materials
see page 12



Sprockets
see page 275



Applications
see page 22

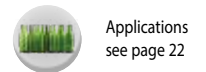
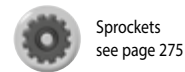
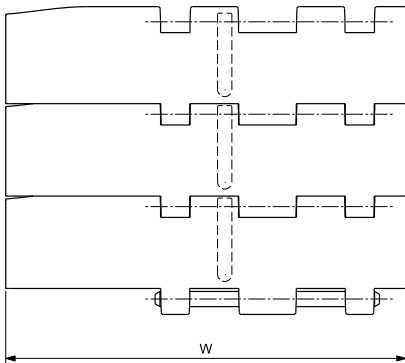
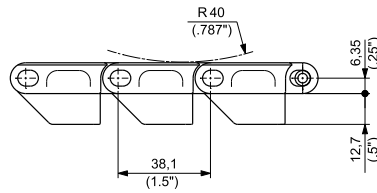
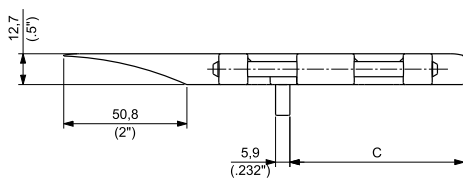
MATERIALS		ITEM DESCRIPTION	PART NUMBER	WIDTH W		PLATE THICKNESS		WORKING LOAD (25°C/77°F)		WEIGHT	
Plate	Pin			mm	inch	mm	inch	N	lbs	kg/m	lbs/ft
ULTRA LOW FRICTION POLYESTER RESIN ULF		UCC 325 SS	66100111	82,6	3.25	12,7	0.5	2505	563	1,26	0.85
		UCC 450 SS	66100141	114,3	4.50	12,7	0.5	3469	780	1,74	1.17
		UCC 600 SS	66100161	152,4	6.00	12,7	0.5	4625	1040	2,32	1.56
		UCC 750 SS	66100151	190,5	7.50	12,7	0.5	5781	1300	2,93	1.97
		UCC 1200 SS	66100191	304,8	12.00	12,7	0.5	9270	2061	4,64	3.12
		UCC 1500 SS	66100181	381,0	15.00	12,7	0.5	11590	2605	5,81	3.90
		UCC 1800 SS	66100221	457,2	18.00	12,7	0.5	13900	3125	6,97	4.69
		UCC 2400 SS	66100231	609,6	24.00	12,7	0.5	18540	4168	9,27	6.23
	AUSTENITIC STAINLESS STEEL	D2K UCC 325 SS	D2K66100111	82,6	3.25	12,7	0.5	2505	563	1,33	0.89
		D2K UCC 450 SS	D2K66100141	114,3	4.50	12,7	0.5	3469	780	1,83	1.23
		D2K UCC 600 SS	D2K66100161	152,4	6.00	12,7	0.5	4625	1040	2,43	1.64
	SPECIAL DELRIN® REINFORCED WITH KEVLAR® DK2	D2K UCC 750 SS	D2K66100151	190,5	7.50	12,7	0.5	5781	1300	3,07	2.06
		D2K UCC 1200 SS	D2K66100191	304,8	12.00	12,7	0.5	9270	2061	4,88	3.28
		D2K UCC 1500 SS	D2K66100181	381,0	15.00	12,7	0.5	11590	2605	6,10	4.10
		D2K UCC 1800 SS	D2K66100221	457,2	18.00	12,7	0.5	13900	3125	7,32	4.92
		D2K UCC 2400 SS	D2K66100231	609,6	24.00	12,7	0.5	18540	4168	9,73	6.54



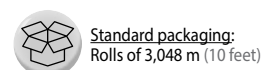
Standard packaging:
Rolls of 3,048 m (10 feet)

ACTIVE TRANSFER MODULES 12,7 mm (0.5") THICKNESS SOLID TOP

Active transfer modules UCCG ATM allow transfer of products between two 90° conveyor tracks without using dead plaers. The special wing shaped module profile supports the products dynamically during transfer on the take-away belt.

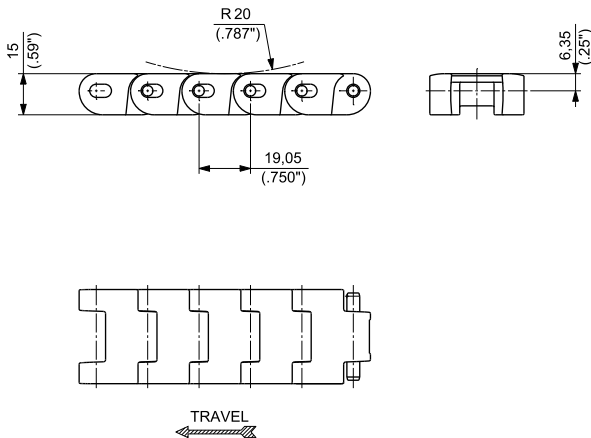


MATERIALS		ITEM DESCRIPTION	PART NUMBER	WIDTH W		PLATE THICKNESS		TRACKING GUIDE POSITION		WORKING LOAD (25°C/77°F)		WEIGHT	
Plate	Pin			mm	inch	mm	inch	mm ^C	inch	N	lbs	kg/m	lbs/ft
ULF ULTRA LOW FRICTION POLYESTER RESIN	AUSTENITIC STAINLESS STEEL	UCCGATM 450 SS	66100331	165,1	6.50	12,7	0.5	71,4	2.81	3469	780	2,11	1.41
		UCCGATM 750 SS	66100341	241,3	9.50	12,7	0.5	139,5	5.49	5781	1.300	3,26	2.19
SPECIAL DELRIN® REINFORCED WITH KEVLAR® DK2™	AUSTENITIC STAINLESS STEEL	UCCGATM D2K 450 SS	D2K66100331	165,1	6.50	12,7	0.5	71,4	2.81	3469	780	2,22	1.49
		UCCGATM D2K 750 SS	D2K66100341	241,3	9.50	12,7	0.5	139,5	5.49	5781	780	3,43	2.31

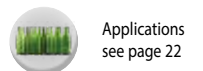
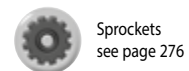


15 mm (0.591") THICKNESS SOLID TOP

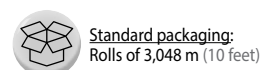
Optimum support of the conveyed products, no risk for flight detachment (compared to two piece chains).
No gap between the plates even when engaging the sprockets.
Particularly suitable for packaging machines applications.



ULTOP



MATERIALS		ITEM DESCRIPTION	PART NUMBER	WIDTH W		PLATE THICKNESS		WORKING LOAD (25°C/77°F)		WEIGHT	
Plate	Pin			mm	inch	mm	inch	N	lbs	kg/m	lbs/ft
ULTRA LOW FRICTION POLYESTER RESIN ULF	AUSTENITIC STAINLESS STEEL	UCC 138 SS	66100321	34,92	1.37	15	0.591	1225	275	0,68	0.46

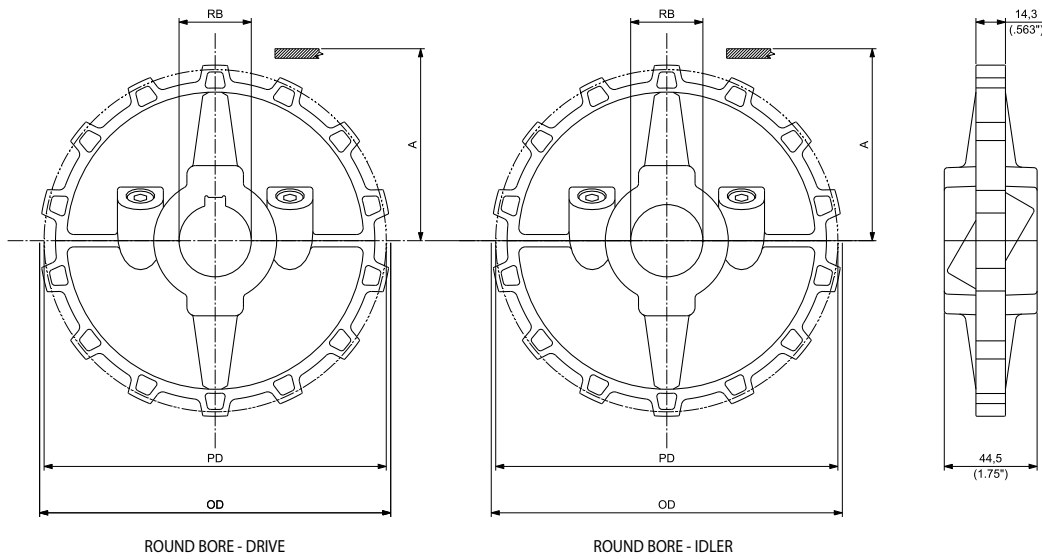


SUITABLE FOR CHAINS:

- UCC

MATERIALS

SPROCKETS:	PGF	REINFORCED POLYAMIDE
SCREW:	SS	STAINLESS STEEL
NUTS:	S+ZN	ZINC PLATED STEEL



ROUND BORE - DRIVE

ROUND BORE - IDLER

MOULDED SPLIT DRIVE AND IDLER SPROCKETS

N. TEETH	PITCH DIAMETER PD		OUTSIDE DIAMETER OD		WEAR STRIP POSITIONING A		BORE SIZE*		PART NUMBER ROUND BORE RB		WEIGHT	
	mm	inch	mm	inch	mm	inch	mm	inch**	DRIVE	IDLER	Kg	lbs
12	147,21	5.796	146,80	5.780	67,30	2.650	30		UCCST1230	UCCSF1230	0,36	0.80
							35		UCCST1235	UCCSF1235	0,35	0.77
							40		UCCST1240	UCCSF1240	0,34	0.75
							1		UCCST12254	UCCSF12254	0,37	0.82
							1 3/16		UCCST12301	UCCSF12301	0,36	0.79
							1 1/4		UCCST12317	UCCSF12317	0,36	0.79
							1 3/8		UCCST12349	UCCSF12349	0,34	0.76
							1 7/16		UCCST12365	UCCSF12365	0,35	0.76
1 1/2		UCCST12381	UCCSF12381	0,34	0.76							
14	171,22	6.741	170,20	6.701	79,30	3.122	30		UCCST1430	UCCSF1430	0,44	0.97
							35		UCCST1435	UCCSF1435	0,43	0.95
							40		UCCST1440	UCCSF1440	0,42	0.92
							1		UCCST14254	UCCSF14254	0,44	0.98
							1 3/16		UCCST14301	UCCSF14301	0,44	0.96
							1 1/4		UCCST14317	UCCSF14317	0,46	1.01
							1 3/8		UCCST14349	UCCSF14349	0,43	0.94
							1 7/16		UCCST14365	UCCSF14365	0,43	0.94
1 1/2		UCCST14381	UCCSF14381	0,43	0.94							

*Diameter is indicated.

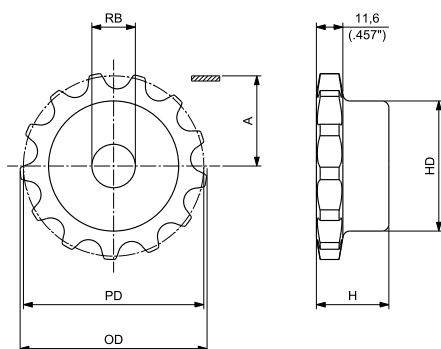
** Imperial round bore drive sprockets are supplied with setscrew. Metric round bore drive sprockets are supplied without setscrew.

SUITABLE FOR CHAINS:

- UCC138

MATERIALS

SPROCKETS: **S** CARBON STEEL



ULTOP

MACHINED SOLID SPROCKETS

N. TEETH	PITCH DIAMETER PD		OUTSIDE DIAMETER OD		WEAR STRIP POSITIONING A		HD		H		BORE SIZE*		PART NUMBER ROUND BORE RB	WEIGHT	
	mm	inch	mm	inch	mm	inch	mm	inch	mm	inch	mm	inch		Kg	lbs
9	55,70	2.193	56,9	2.24	19,20	0.756	32	1.26	30	1.18	12	0.47	CMA021380900	0,31	0.68
11	67,62	2.662	69,5	2.74	25,15	0.990	45	1.77	35	1.38	14	0.55	CMA021381100	0,57	1.26
13	79,60	3.134	81,9	3.22	31,15	1.226	57	2.24	35	1.38	14	0.55	CMA021381300	0,87	1.92
15	91,63	3.607	94,2	3.71	37,17	1.463	69	2.72	35	1.38	14	0.55	CMA021381500	1,24	2.74
17	103,67	4.081	106,5	4.19	43,19	1.700	80	3.15	35	1.38	16	0.63	CMA021381700	1,63	3.60
19	115,74	4.557	118,8	4.68	49,22	1.938	80	3.15	35	1.38	16	0.63	CMA021381900	1,82	4.01
21	127,82	5.032	131,0	5.16	55,26	2.176	90	3.54	40	1.57	20	0.79	CMA021382100	2,48	5.47
23	139,90	5.508	143,2	5.64	61,30	2.413	90	3.54	40	1.57	20	0.79	CMA021382300	2,71	5.98
25	152,00	5.984	155,4	6.12	67,35	2.652	90	3.54	40	1.57	20	0.79	CMA021382500	2,97	6.55

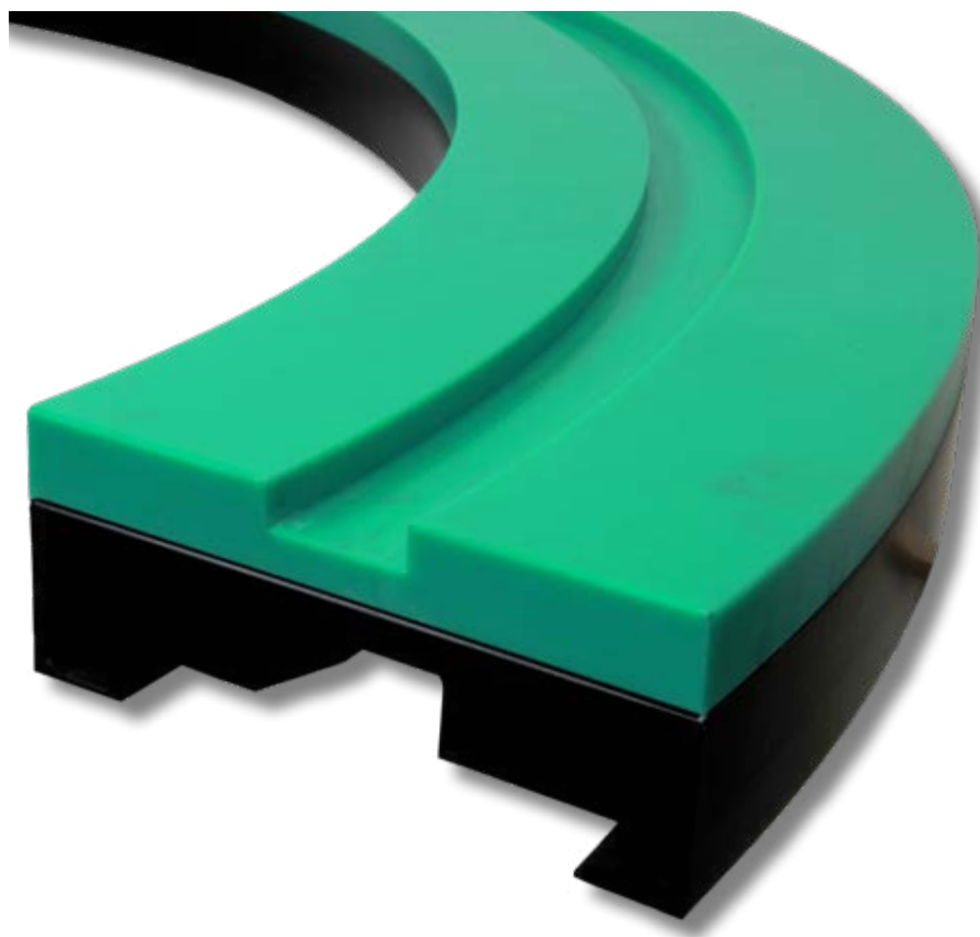
*Diameter is indicated (plain bore).



PERFORMANCE IN MOTION

***FliteTop*® Matveyor**®

Magnetic Curves



Magnetic curves are a combined system for both steel and plastic chains.

Two magnets, integrated underneath the track and connected by a steel plate, creating a strong magnetic field that results in an even force keeping down steel chains as well as plastic chains with steel pins running in the curve.

The position of the magnets has been carefully studied in order to get the ideal distribution of the magnetic field, with the following results:

- No chain pulsation effect when the chain is being pulled through the curve.
- Chains perfectly flat in curve without tilting



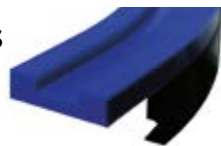
The REGINA magnetic curve consists of mainly N. 3 parts:

- 1 Machined upper plastic part of the curve, normally supplied with the standard SUPREME-A material which is a virgin UHMWPE (about 7 millions gr/mole) with an optimum wear resistance.
- 2 Machined return part of the curve, supplied in UHMWPE material with 4 millions gr/mole which is suitable even for the most demanding applications. This part is jointed to the upper part by stainless steel self-tapping screws.
- 3 Return guide shoe, made in UHMWPE material with 4 millions gr/mole, to bring the chain at the right height to enter the return part of the curve.

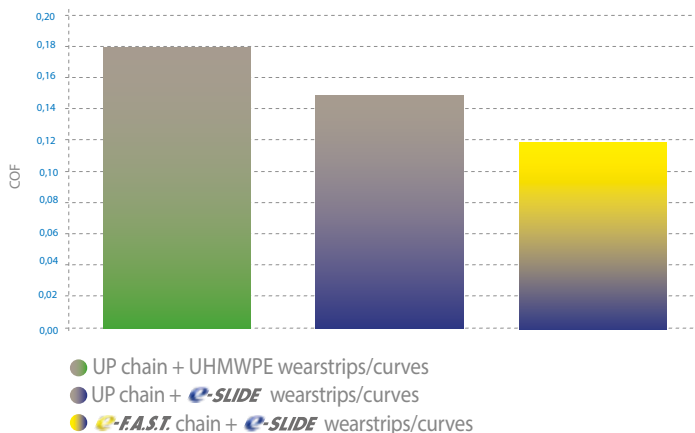
For special applications involving very high speeds and reduced lubrication conditions new e-SLIDE and SUPREME-S materials can be used to guarantee higher PV (Pressure-Velocity) loads according to the application needs.

CURVE MATERIAL	FEATURES	CHAIN TYPE	APPLICATIONS
 STANDARD MATERIAL	Ultra high molecular weight polyethylene (about 7 million gr/mole) with good wear resistance and low coefficient of friction.	For steel and plastic chains.	Ideal in low/medium speed applications in dry or lubricated conditions.
	New ultimate Ultra High Molecular Weight Polyethylene (molecular density of 9.000.000 g/mol). Thanks to special lube additives compounded with the material, provides superior sliding performance and excellent wear resistance of chains and belts in high-speeds and dry running application.	For steel and plastic chains.	Suitable in high speed applications in dry or reduced lubricated conditions.
	Special high grade and oil-filled polyamide with superior abrasion resistance and extremely high PV limit. Dry running only.	For plastic chains.	Suitable in high speed applications in dry running conditions.

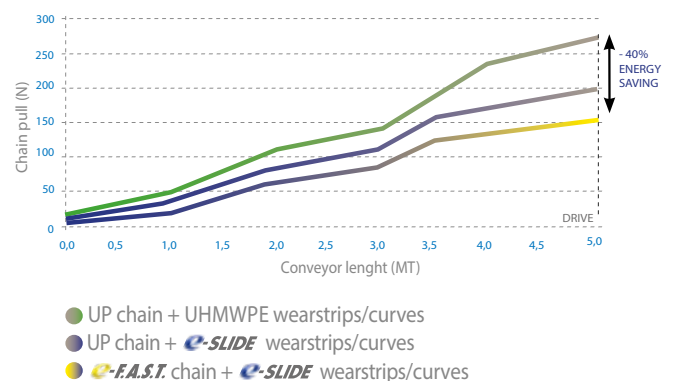
e-SLIDE FEATURES AND BENEFITS



COF between chain and wearstrips/curves



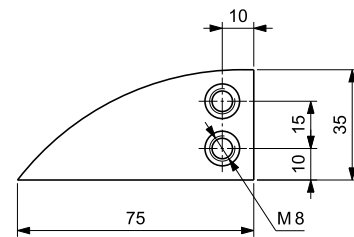
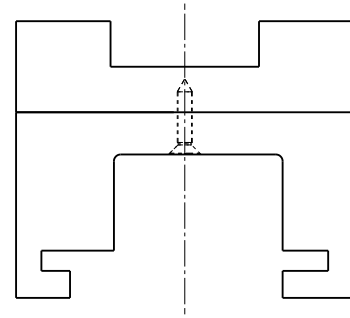
Chain pull trend in a sideflexing conveyor system



SUPPLY INFORMATIONS

REGINA magnetic curves are supplied as follow:

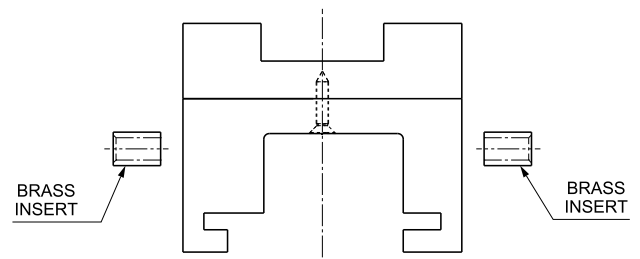
- The upper and return part are connected by stainless steel self-tapping screws $\varnothing 4$ mm.
- All of REGINA curves are supplied with the return guide shoe equipped with N.4 brass threaded inserts M8 already assembled.



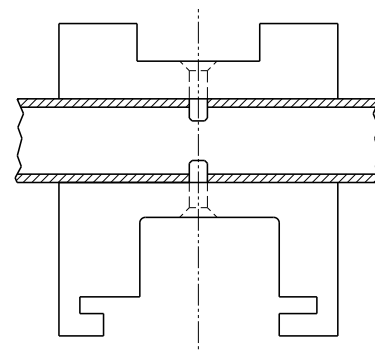
INSTALLATION OF THE MAGNETIC CURVES

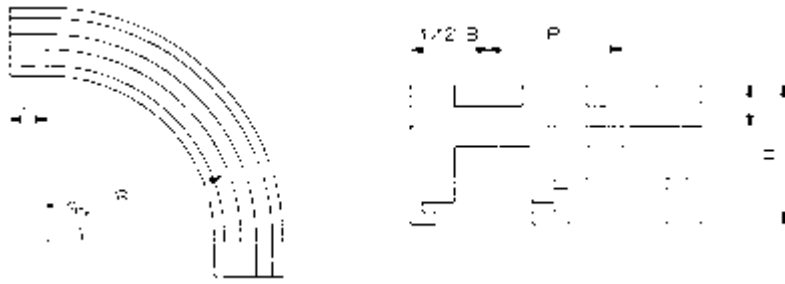
REGINA magnetic curves can be installed on the conveyor in the two following ways:

- 1) Fixing the outer and the inner side of the curve (upper and return part jointed together) to the conveyor frame. In this case the curve is installed with the upper and return part connected as supplied by REGINA and it is fixed to the conveyor making lateral holes on the return part of the curve and using brass threaded inserts M10. These inserts can be **ORDERED SEPARATELY** with the P/N I-SCTBM10 (component **NOT supplied** with the curves).



- 2) The upper and return part of the curve can be installed **separately** on the conveyor. In this case the curve, which is supplied with the upper and return part connected with stainless steel self-tapping screws, must be disassembled and fixed to a conveyor crossbar using the holes present on both parts of the curve. The screws to fix the upper and lower part of the curve to the crossbar must have a proper length depending on the conveyor structure. Those screws are **NOT** supplied by REGINA.



REFERENCE TABLE


CHAIN TYPE				RADIUS ⁽¹⁾ R mm	TRANSVERSAL		INFEEED LENGHT L mm	UPPER PART HEIGHT U mm	TOTAL HEIGHT		VERSION NUMBER	SEE PAGE
SERIES	WIDTH	THICKNESS mm	HINGE WIDTH mm		PITCH P mm	BASIC WIDTH B mm			H mm	H mm		
981M						100	0		82 ⁽²⁾ /90 ⁽³⁾	F 01	281	
PHD 981M		3		500	85	111	100		90	F 02	282	
PHDG 981M						100	100		90	F 03	283	
					89	100	125		82	F 04	284	
	3 1/4" 83.8 mm		42	680	-	100	100		82	F 05	285	
880M RG		4		750	85	100	100	27	82 ⁽²⁾ /90 ⁽³⁾	F 06	286	
						111	100		90	F 07	287	
						100	125		82	F 08	288	
						100	0		82	F 09	289	
				1000	85	111	100		90	F 10	290	
981M				500	120	129	125		90	F 11	291	
PHD 981M	4 1/2"	3	42	610	120	129	125	27	90	F 12	292	
					117	129	0		90	F 13	293	
981M				610	196	214	125		90	F 14	294	
PHD 981M	7 1/2"	3	42	860	-	214	0	27	82	F 15	295	
PHDG 981M				1000	-	214	0		82	F 16	296	
PHD 9857M				610 ⁽⁴⁾	195	200	100		87 ⁽²⁾ /95 ⁽³⁾	H 01	297	
PHDG 9857M	7 1/2"	3	57	750	195	200	100	32	87 ⁽²⁾ /95 ⁽³⁾	H 02	298	
882M		4,8		860	-	214	0		87	H 03	299	
HFX 882M				1000	-	214	0		87	H 04	300	
882M	10"					290				H 05	301	
HFX 882M	12"	4,8	57	860	-	340	0	32	87	H 06	302	
	7 1/2"					214				L 01	303	
LBP 882M	10"	4,8	57	860	-	290	0	32	95	L 02	304	
	12"					340				L 03	305	
						100	0		82 ⁽²⁾ /90 ⁽³⁾	M 01	306	
				500	85	111	100		90	M 02	307	
782M						100	100		90	M 03	308	
783M	83.8 mm	8,7	42			100	100	27	90	M 04	309	
						111	100		90	M 05	310	
						100	0		90	M 06	311	
						100	0		82 ⁽²⁾ /90 ⁽³⁾	U 01	312	
				500	85	111	100		90	U 02	313	
793M	83.8 mm	12,7	42			100	100	27	90	U 03	314	
						100	100		90	U 04	315	
						100	0		90	U 05	316	
793M	4 1/2"	12,7	42	500	120	129	125	27	90	U 06	317	

⁽¹⁾ First track is intended.

⁽²⁾ For curves with one track.

⁽³⁾ For multi tracks curves.

⁽⁴⁾ 882M and HFX 882M series only.

VERSION F 01

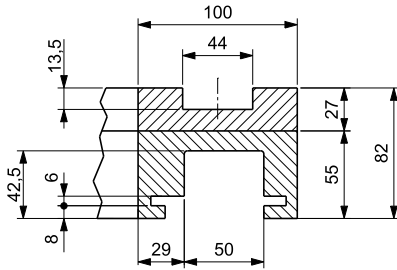
SUITABLE FOR CHAINS:

- 981M K 3¼ (See page 38)
- 981M K 83,8 (See page 38)
- PHD 981M K 3¼ (See page 38)
- PHD 981M K 83,8 (See page 38)
- PHDG 981M K 3¼ (See page 46)
- 880M RG K 3¼ (See page 57)
- 880M RG K 83,8 (See page 57)

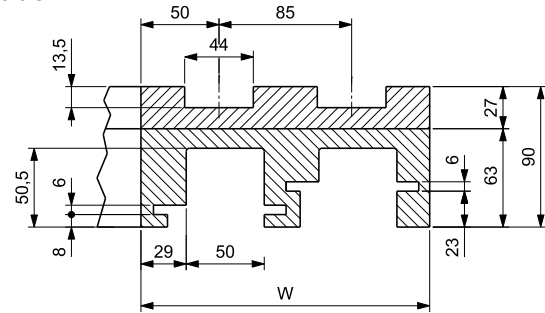
RADIUS	BASIC WIDTH	TRANSVERSAL PITCH	INFEED/OUTFEED LENGTH
mm	mm	mm	mm
500	100	85	-



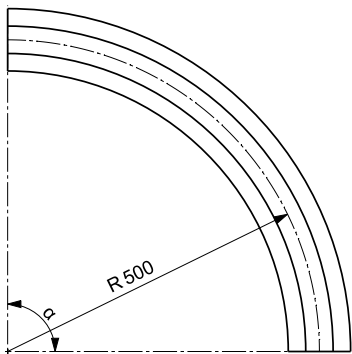
Single track



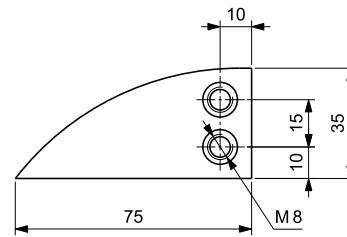
Multi track



Radius



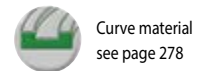
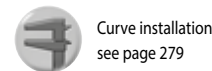
Return guide shoe



On request, Upper part is available in Self-Lubricating UHMWPE & Oil-filled PA.



CURVES	PART NUMBER IDENTIFICATION		
	SUPREME - A	NEW e-SLIDE	SUPREME - S
UPPER PART MATERIAL	UHMWPE	High performance Self-lubricating UHMWPE	Oil-filled PA
PART NUMBERS	See table below	Replace "MF" with "MFE" Example: 2 tracks, 90° curve angle, P/N: MFE02AAY/110	Replace "MF" with "MFP" Example: 2 tracks, 90° curve angle, P/N: MFP02AAY/110



N. OF TRACKS	TOTAL WIDTH W mm	PART NUMBER					
		Curve angle α					
		15°	30°	45°	60°	75°	90°
1	100	MF01AFX/100	MF01AEX/100	MF01ACX/100	MF01ABX/100	MF01ALX/100	MF01AAX/100
2	185	MF02AFY/110	MF02AEY/110	MF02ACY/110	MF02ABY/110	MF02ALY/110	MF02AAY/110
3	270	MF03AFY/110	MF03AEY/110	MF03ACY/110	MF03ABY/110	MF03ALY/110	MF03AAY/110
4	355	MF04AFY/110	MF04AEY/110	MF04ACY/110	MF04ABY/110	MF04ALY/110	MF04AAY/110
5	440	MF05AFY/110	MF05AEY/110	MF05ACY/110	MF05ABY/110	MF05ALY/110	MF05AAY/110
6	525	MF06AFY/110	MF06AEY/110	MF06ACY/110	MF06ABY/110	MF06ALY/110	MF06AAY/110

NOTE: For custom requests with dimensions different from the standard, please refer to page 318.

VERSION F 02

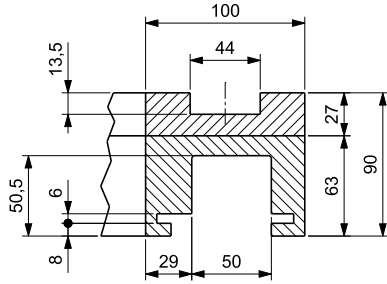
SUITABLE FOR CHAINS:

- 981M K 3¼ (See page 38)
- 981M K 83,8 (See page 38)
- PHD 981M K 3¼ (See page 38)
- PHD 981M K 83,8 (See page 38)
- PHDG 981M K 3¼ (See page 46)
- 880M RG K 3¼ (See page 57)
- 880M RG K 83,8 (See page 57)

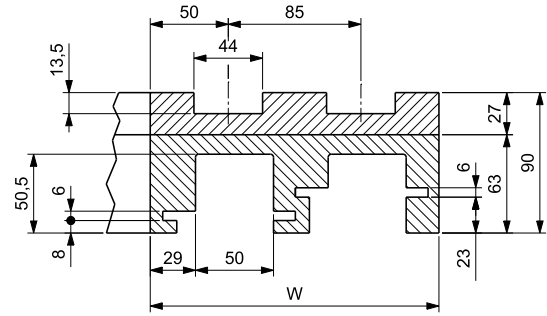
RADIUS	BASIC WIDTH	TRANSVERSAL PITCH	INFEEED/OUTFEED LENGTH
mm	mm	mm	mm
500	100	85	100



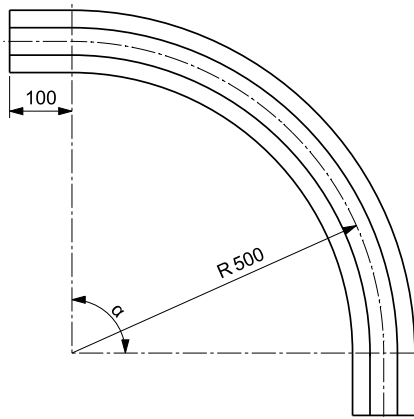
Single track



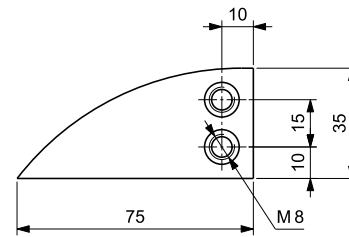
Multi track



Radius



Return guide shoe



On request, Upper part is available in Self-Lubricating UHMWPE & Oil-filled PA.



PART NUMBER IDENTIFICATION			
CURVES			
UPPER PART MATERIAL	UHMWPE	High performance Self-lubricating UHMWPE	Oil-filled PA
PART NUMBERS	See table below	Replace "MF" with "MFE" Example: 2 tracks, 90° curve angle, P/N: MFE02AAY/111	Replace "MF" with "MFP" Example: 2 tracks, 90° curve angle, P/N: MFP02AAY/111



Curve installation see page 279



Curve material see page 278

N. OF TRACKS	TOTAL WIDTH W mm	PART NUMBER					
		Curve angle α					
		15°	30°	45°	60°	75°	90°
1	100	MF01AFY/101	MF01AEY/101	MF01ACY/101	MF01ABY/101	MF01ALY/101	MF01AAY/101
2	185	MF02AFY/111	MF02AEY/111	MF02ACY/111	MF02ABY/111	MF02ALY/111	MF02AAY/111
3	270	MF03AFY/111	MF03AEY/111	MF03ACY/111	MF03ABY/111	MF03ALY/111	MF03AAY/111
4	355	MF04AFY/111	MF04AEY/111	MF04ACY/111	MF04ABY/111	MF04ALY/111	MF04AAY/111
5	440	MF05AFY/111	MF05AEY/111	MF05ACY/111	MF05ABY/111	MF05ALY/111	MF05AAY/111
6	525	MF06AFY/111	MF06AEY/111	MF06ACY/111	MF06ABY/111	MF06ALY/111	MF06AAY/111

NOTE: For custom requests with dimensions different from the standard, please refer to page 318.

VERSION F 03

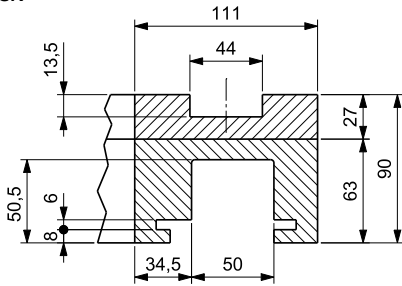
SUITABLE FOR CHAINS:

- 981M K 3¼ (See page 38)
- 981M K 83,8 (See page 38)
- PHD 981M K 3¼ (See page 38)
- PHD 981M K 83,8 (See page 38)
- PHDG 981M K 3¼ (See page 46)
- 880M RG K 3¼ (See page 57)
- 880M RG K 83,8 (See page 57)

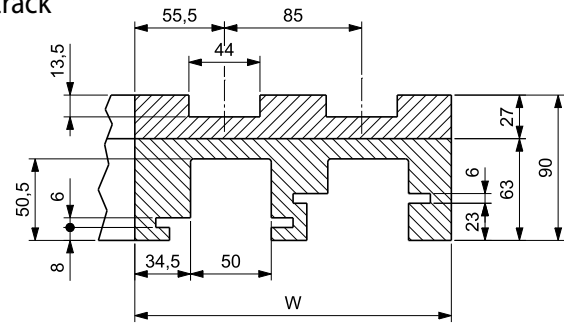
RADIUS	BASIC WIDTH	TRANSVERSAL PITCH	INFEED/OUTFEED LENGTH
mm	mm	mm	mm
500	111	85	100



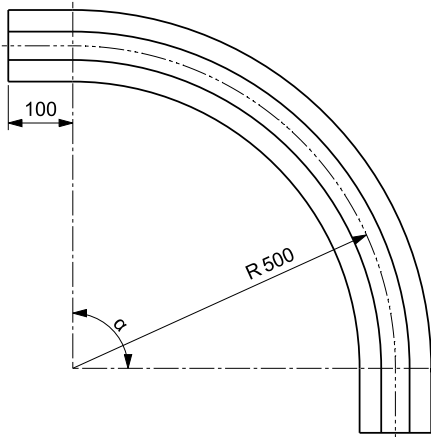
Single track



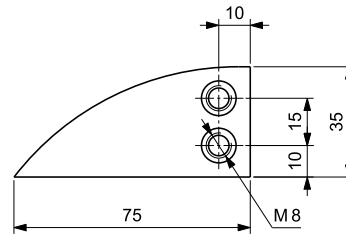
Multi track



Radius



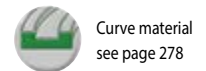
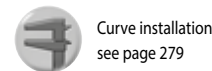
Return guide shoe



On request, Upper part is available in Self-Lubricating UHMWPE & Oil-filled PA.



PART NUMBER IDENTIFICATION			
CURVES	SUPREME -A	NEW e-SLIDE	SUPREME -S
UPPER PART MATERIAL	UHMWPE	High performance Self-lubricating UHMWPE	Oil-filled PA
PART NUMBERS	See table below	Replace "MF" with "MFE" Example: 2 tracks, 90° curve angle, P/N: MFE02AAY/311	Replace "MF" with "MFP" Example: 2 tracks, 90° curve angle, P/N: MFP02AAY/311



N. OF TRACKS	TOTAL WIDTH W mm	PART NUMBER					
		Curve angle α					
		15°	30°	45°	60°	75°	90°
1	111	MF01AFY/301	MF01AEY/301	MF01ACY/301	MF01ABY/301	MF01ALY/301	MF01AAY/301
2	196	MF02AFY/311	MF02AEY/311	MF02ACY/311	MF02ABY/311	MF02ALY/311	MF02AAY/311
3	281	MF03AFY/311	MF03AEY/311	MF03ACY/311	MF03ABY/311	MF03ALY/311	MF03AAY/311
4	366	MF04AFY/311	MF04AEY/311	MF04ACY/311	MF04ABY/311	MF04ALY/311	MF04AAY/311
5	451	MF05AFY/311	MF05AEY/311	MF05ACY/311	MF05ABY/311	MF05ALY/311	MF05AAY/311
6	536	MF06AFY/311	MF06AEY/311	MF06ACY/311	MF06ABY/311	MF06ALY/311	MF06AAY/311

NOTE: For custom requests with dimensions different from the standard, please refer to page 318.

VERSION F 04

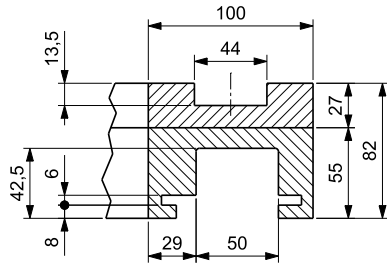
SUITABLE FOR CHAINS:

- 981M K 3¼ (See page 38)
- 981M K 83,8 (See page 38)
- PHD 981M K 3¼ (See page 38)
- PHD 981M K 83,8 (See page 38)
- PHDG 981M K 3¼ (See page 46)
- 880M RG K 3¼ (See page 57)
- 880M RG K 83,8 (See page 57)

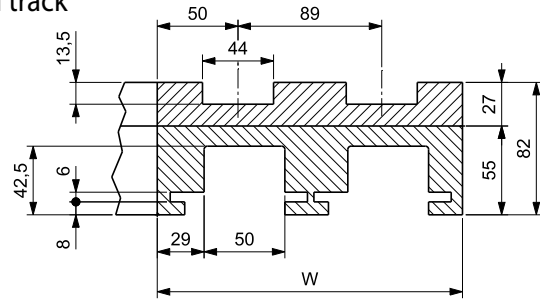
RADIUS	BASIC WIDTH	TRANSVERSAL PITCH	INFEED/OUTFEED LENGTH
mm	mm	mm	mm
500	100	89	125



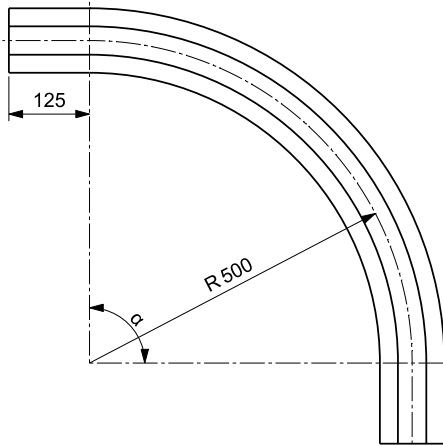
Single track



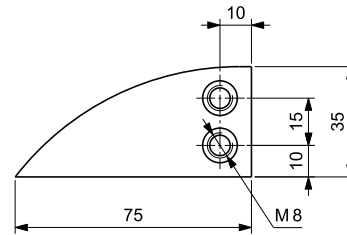
Multi track



Radius



Return guide shoe



On request, Upper part is available in Self-Lubricating UHMWPE & Oil-filled PA.



PART NUMBER IDENTIFICATION			
CURVES	SUPREME -A	NEW e-SLIDE	SUPREME -S
UPPER PART MATERIAL	UHMWPE	High performance Self-lubricating UHMWPE	Oil-filled PA
PART NUMBERS	See table below	Replace "MF" with "MFE" Example: 2 tracks, 90° curve angle, P/N: MFE02AAX/122	Replace "MF" with "MFP" Example: 2 tracks, 90° curve angle, P/N: MFP02AAX/122



Curve installation see page 279



Curve material see page 278

N. OF TRACKS	TOTAL WIDTH W mm	PART NUMBER					
		Curve angle α					
		15°	30°	45°	60°	75°	90°
1	100	MF01AFX/102	MF01AEX/102	MF01ACX/102	MF01ABX/102	MF01ALX/102	MF01AAX/102
2	189	MF02AFX/122	MF02AEX/122	MF02ACX/122	MF02ABX/122	MF02ALX/122	MF02AAX/122
3	278	MF03AFX/122	MF03AEX/122	MF03ACX/122	MF03ABX/122	MF03ALX/122	MF03AAX/122
4	367	MF04AFX/122	MF04AEX/122	MF04ACX/122	MF04ABX/122	MF04ALX/122	MF04AAX/122
5	456	MF05AFX/122	MF05AEX/122	MF05ACX/122	MF05ABX/122	MF05ALX/122	MF05AAX/122
6	545	MF06AFX/122	MF06AEX/122	MF06ACX/122	MF06ABX/122	MF06ALX/122	MF06AAX/122

NOTE: For custom requests with dimensions different from the standard, please refer to page 318.

VERSION F 05

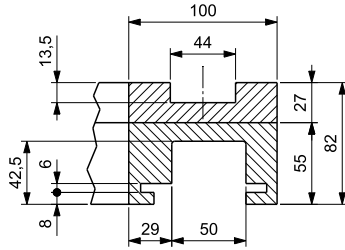
SUITABLE FOR CHAINS:

- 981M K 3¼ (See page 38)
- 981M K 83,8 (See page 38)
- PHD 981M K 3¼ (See page 38)
- PHD 981M K 83,8 (See page 38)
- PHDG 981M K 3¼ (See page 46)
- 880M RG K 3¼ (See page 57)
- 880M RG K 83,8 (See page 57)

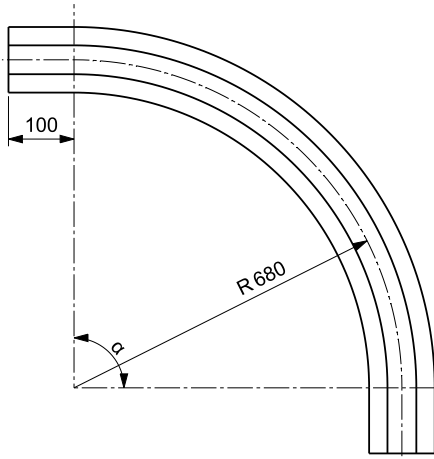
RADIUS mm	BASIC WIDTH mm	TRANSVERSAL PITCH mm	INFEED/ OUTFEED LENGTH mm
680	100	Single track	100



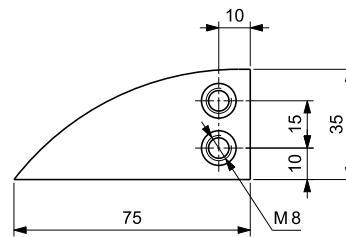
Single track



Radius



Return guide shoe



On request, Upper part is available in Self-Lubricating UHMWPE & Oil-filled PA.



CURVES	PART NUMBER IDENTIFICATION		
	SUPREME -A	NEW e-SLIDE	SUPREME -S
UPPER PART MATERIAL	UHMWPE	High performance Self-lubricating UHMWPE	Oil-filled PA
PART NUMBERS	See table below	Replace "MF" with "MFE" Example: 1 track, 90° curve angle, P/N: MFE01DAX/101	Replace "MF" with "MFP" Example: 1 track, 90° curve angle, P/N: MFP01DAX/101



Curve installation see page 279



Curve material see page 278

N. OF TRACKS	TOTAL WIDTH W mm	PART NUMBER					
		Curve angle α					
		15°	30°	45°	60°	75°	90°
1	100	MF01DFX/101	MF01DEX/101	MF01DCX/101	MF01DBX/101	MF01DLX/101	MF01DAX/101

NOTE: For custom requests with dimensions different from the standard, please refer to page 318.

VERSION F 06

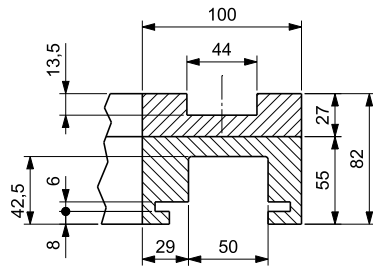
SUITABLE FOR CHAINS:

- 981M K 3¼ (See page 38)
- 981M K 83,8 (See page 38)
- PHD 981M K 3¼ (See page 38)
- PHD 981M K 83,8 (See page 38)
- PHDG 981M K 3¼ (See page 46)
- 880M RG K 3¼ (See page 57)
- 880M RG K 83,8 (See page 57)

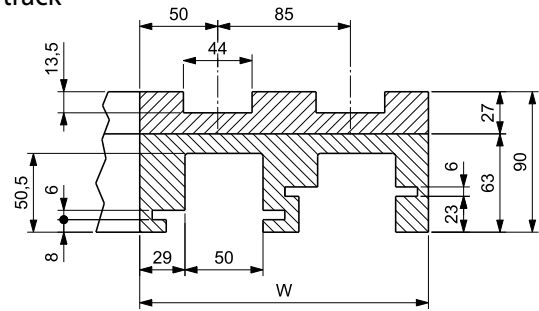
RADIUS	BASIC WIDTH	TRANSVERSAL PITCH	INFEED/OUTFEED LENGTH
mm	mm	mm	mm
750	100	85	100



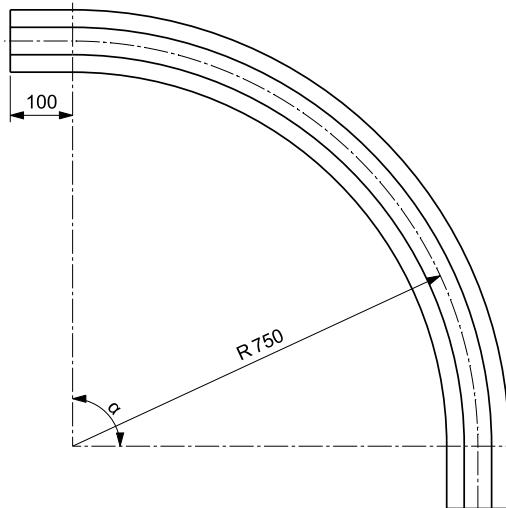
Single track



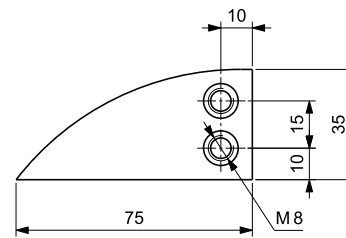
Multi track



Radius



Return guide shoe



On request, Upper part is available in Self-Lubricating UHMWPE & Oil-filled PA.



CURVES	PART NUMBER IDENTIFICATION		
	SUPREME -A	NEW e-SLIDE	SUPREME -S
UPPER PART MATERIAL	UHMWPE	High performance Self-lubricating UHMWPE	Oil-filled PA
PART NUMBERS	See table below	Replace "MF" with "MFE" Example: 2 tracks, 90° curve angle, P/N: MFE02EAY/111	Replace "MF" with "MFP" Example: 2 tracks, 90° curve angle, P/N: MFP02EAY/111



Curve installation see page 279



Curve material see page 278

N. OF TRACKS	TOTAL WIDTH W mm	PART NUMBER					
		Curve angle α					
		15°	30°	45°	60°	75°	90°
1	100	MF01EFX/101	MF01EEX/101	MF01ECX/101	MF01EBX/101	MF01ELX/101	MF01EAX/101
2	185	MF02EFY/111	MF02EAY/111	MF02ECY/111	MF02EBY/111	MF02ELY/111	MF02EAY/111
3	270	MF03EFY/111	MF03EAY/111	MF03ECY/111	MF03EBY/111	MF03ELY/111	MF03EAY/111
4	335	MF04EFY/111	MF04EAY/111	MF04ECY/111	MF04EBY/111	MF04ELY/111	MF04EAY/111
5	400	MF05EFY/111	MF05EAY/111	MF05ECY/111	MF05EBY/111	MF05ELY/111	MF05EAY/111
6	525	MF06EFY/111	MF06EAY/111	MF06ECY/111	MF06EBY/111	MF06ELY/111	MF06EAY/111

NOTE: For custom requests with dimensions different from the standard, please refer to page 318

VERSION F 07

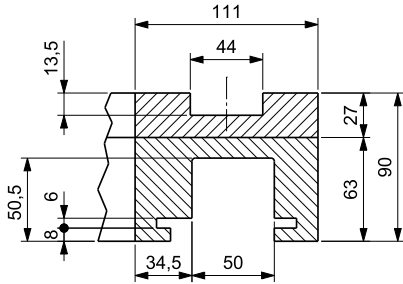
SUITABLE FOR CHAINS:

- 981M K 3¼ (See page 38)
- 981M K 83,8 (See page 38)
- PHD 981M K 3¼ (See page 38)
- PHD 981M K 83,8 (See page 38)
- PHDG 981M K 3¼ (See page 46)
- 880M RG K 3¼ (See page 57)
- 880M RG K 83,8 (See page 57)

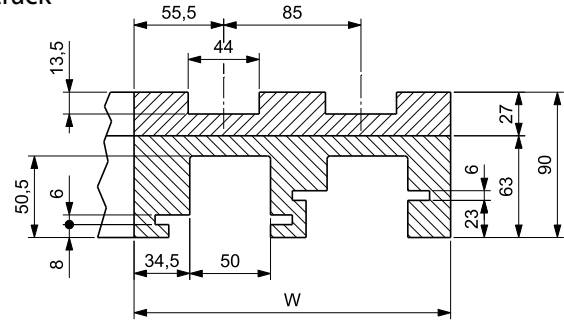
RADIUS mm	BASIC WIDTH mm	TRANSVERSAL PITCH mm	INFEED/ OUTFEED LENGTH mm
750	111	85	100



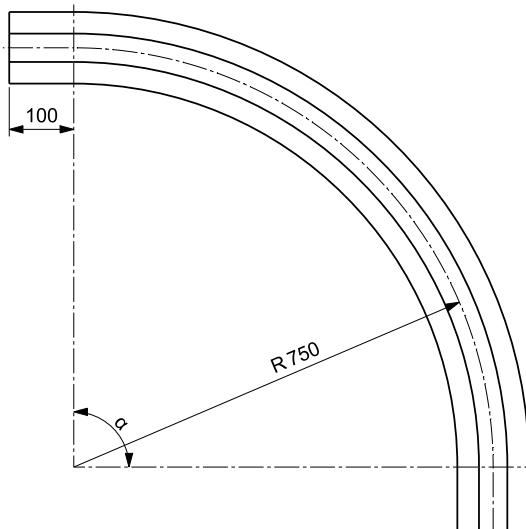
Single track



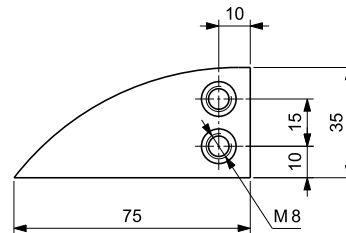
Multi track



Radius



Return guide shoe



On request, Upper part is available in Self-Lubricating UHMWPE & Oil-filled PA.



CURVES	PART NUMBER IDENTIFICATION		
UPPER PART MATERIAL	UHMWPE	High performance Self-lubricating UHMWPE	Oil-filled PA
PART NUMBERS	See table below	Replace "MF" with "MFE" Example: 2 tracks, 90° curve angle, P/N: MFE02EAY/311	Replace "MF" with "MFP" Example: 2 tracks, 90° curve angle, P/N: MFP02EAY/311



Curve installation see page 279



Curve material see page 278

N. OF TRACKS	TOTAL WIDTH W mm	PART NUMBER					
		Curve angle α					
		15°	30°	45°	60°	75°	90°
1	111	MF01EFY/301	MF01EEY/301	MF01ECY/301	MF01EBY/301	MF01ELY/301	MF01EAY/301
2	196	MF02EFY/311	MF02EEY/311	MF02ECY/311	MF02EBY/311	MF02ELY/311	MF02EAY/311
3	281	MF03EFY/311	MF03EEY/311	MF03ECY/311	MF03EBY/311	MF03ELY/311	MF03EAY/311
4	366	MF04EFY/311	MF04EEY/311	MF04ECY/311	MF04EBY/311	MF04ELY/311	MF04EAY/311
5	451	MF05EFY/311	MF05EEY/311	MF05ECY/311	MF05EBY/311	MF05ELY/311	MF05EAY/311
6	536	MF06EFY/311	MF06EEY/311	MF06ECY/311	MF06EBY/311	MF06ELY/311	MF06EAY/311

NOTE: For custom requests with dimensions different from the standard, please refer to page 318.

VERSION F 08

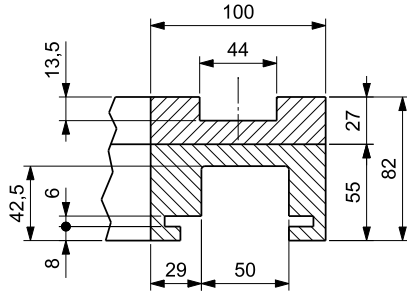
SUITABLE FOR CHAINS:

- 981M K 3¼ (See page 38)
- 981M K 83,8 (See page 38)
- PHD 981M K 3¼ (See page 38)
- PHD 981M K 83,8 (See page 38)
- PHDG 981M K 3¼ (See page 46)
- 880M RG K 3¼ (See page 57)
- 880M RG K 83,8 (See page 57)

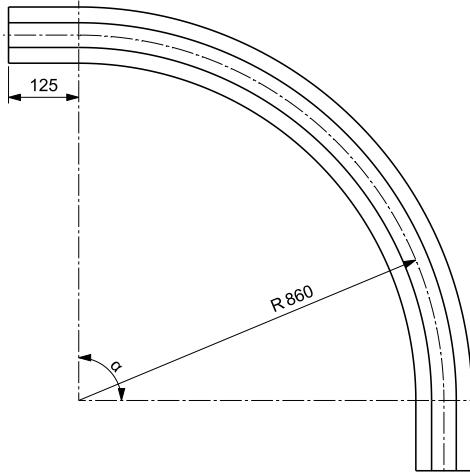
RADIUS mm	BASIC WIDTH mm	TRANSVERSAL PITCH mm	INFEED/ OUTFEED LENGTH mm
860	100	Single track	125



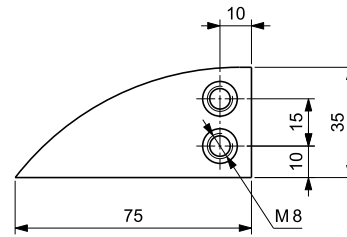
Single track



Radius



Return guide shoe



On request, Upper part is available in Self-Lubricating UHMWPE & Oil-filled PA.



CURVES	PART NUMBER IDENTIFICATION		
UPPER PART MATERIAL	UHMWPE	High performance Self-lubricating UHMWPE	Oil-filled PA
PART NUMBERS	See table below	Replace "MF" with "MFE" Example: 1 track, 90° curve angle, P/N: MFE01FAX/102	Replace "MF" with "MFP" Example: 1 track, 90° curve angle, P/N: MFP01FAX/102



Curve installation see page 279



Curve material see page 278

N. OF TRACKS	TOTAL WIDTH W mm	PART NUMBER					
		Curve angle α					
		15°	30°	45°	60°	75°	90°
1	100	MF01FFX/102	MF01FEX/102	MF01FCX/102	MF01FBX/102	MF01FLX/102	MF01FAX/102

NOTE: For custom requests with dimensions different from the standard, please refer to page 318.

VERSION F 09

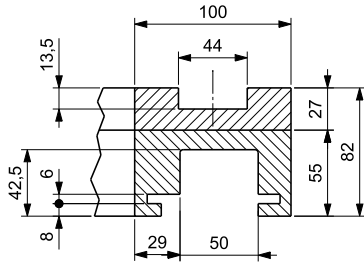
SUITABLE FOR CHAINS:

- 981M K 3¼ (See page 38)
- 981M K 83,8 (See page 38)
- PHD 981M K 3¼ (See page 38)
- PHD 981M K 83,8 (See page 38)
- PHDG 981M K 3¼ (See page 46)
- 880M RG K 3¼ (See page 57)
- 880M RG K 83,8 (See page 57)

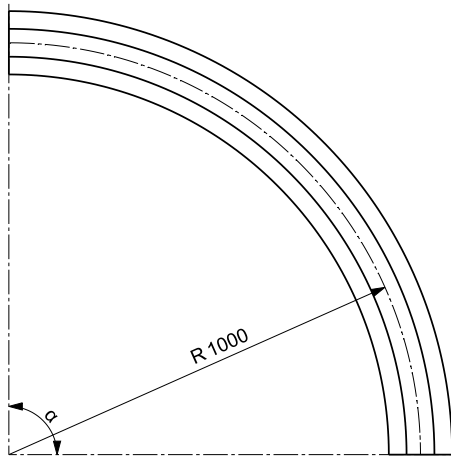
RADIUS mm	BASIC WIDTH mm	TRANSVERSAL PITCH mm	INFEEED/ OUTFEED LENGTH mm
1000	100	Single track	-



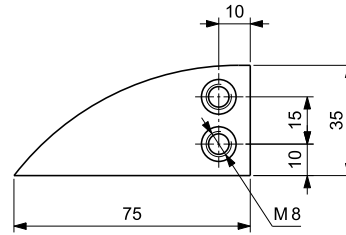
Single track



Radius



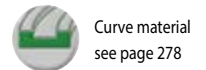
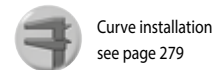
Return guide shoe



On request, Upper part is available in Self-Lubricating UHMWPE & Oil-filled PA.



CURVES	PART NUMBER IDENTIFICATION		
	SUPREME -A	NEW e-SLIDE	SUPREME -S
UPPER PART MATERIAL	UHMWPE	High performance Self-lubricating UHMWPE	Oil-filled PA
PART NUMBERS	See table below	Replace "MF" with "MFE" Example: 1 track, 90° curve angle, P/N: MFE01GAX/102	Replace "MF" with "MFP" Example: 1 track, 90° curve angle, P/N: MFP01GAX/102



N. OF TRACKS	TOTAL WIDTH W mm	PART NUMBER					
		Curve angle α					
		15°	30°	45°	60°	75°	90°
1	100	MF01GFX/100	MF01GEX/100	MF01GCX/100	MF01GBX/100	MF01GLX/100	MF01GAX/100

NOTE: For custom requests with dimensions different from the standard, please refer to page 318.

VERSION F 10

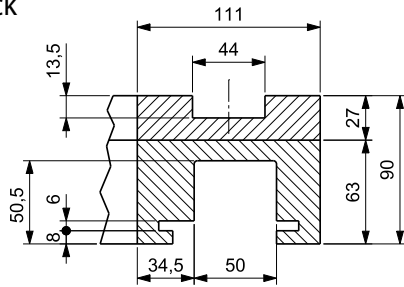
SUITABLE FOR CHAINS:

- 981M K 3¼ (See page 38)
- 981M K 83,8 (See page 38)
- PHD 981M K 3¼ (See page 38)
- PHD 981M K 83,8 (See page 38)
- PHDG 981M K 3¼ (See page 46)
- 880M RG K 3¼ (See page 57)
- 880M RG K 83,8 (See page 57)

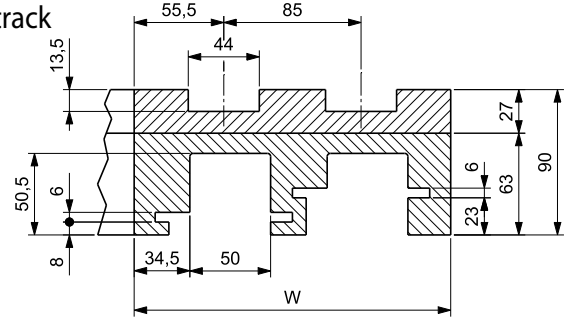
RADIUS	BASIC WIDTH	TRANSVERSAL PITCH	INFEEED/OUTFEED LENGTH
mm	mm	mm	mm
1000	111	85	100



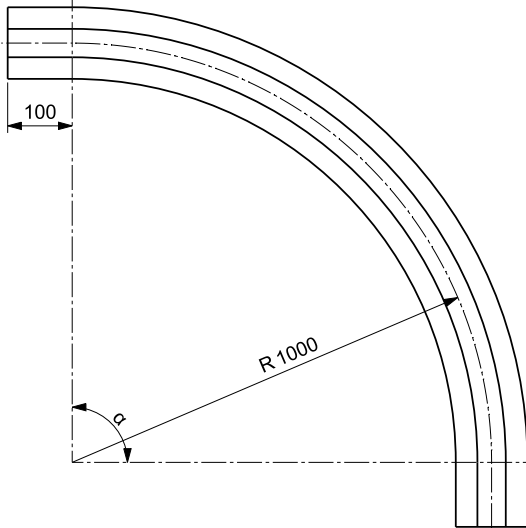
Single track



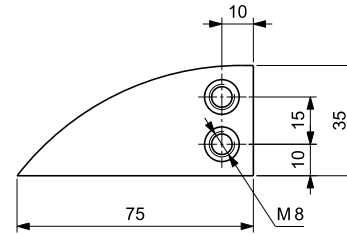
Multi track



Radius



Return guide shoe



On request, Upper part is available in Self-Lubricating UHMWPE & Oil-filled PA.



CURVES	PART NUMBER IDENTIFICATION		
UPPER PART MATERIAL	UHMWPE	High performance Self-lubricating UHMWPE	Oil-filled PA
PART NUMBERS	See table below	Replace "MF" with "MFE" Example: 2 tracks, 90° curve angle, P/N: MFE02GAY/311	Replace "MF" with "MFP" Example: 2 tracks, 90° curve angle, P/N: MFP02GAY/311



Curve installation see page 279



Curve material see page 278

N. OF TRACKS	TOTAL WIDTH W mm	PART NUMBER					
		Curve angle α					
		15°	30°	45°	60°	75°	90°
1	111	MF01GFY/301	MF01GEY/301	MF01GKY/301	MF01GBY/301	MF01GLY/301	MF01GAY/301
2	196	MF02GFY/311	MF02GEY/311	MF02GKY/311	MF02GBY/311	MF02GLY/311	MF02GAY/311
3	281	MF03GFY/311	MF03GEY/311	MF03GKY/311	MF03GBY/311	MF03GLY/311	MF03GAY/311
4	366	MF04GFY/311	MF04GEY/311	MF04GKY/311	MF04GBY/311	MF04GLY/311	MF04GAY/311
5	451	MF05GFY/311	MF05GEY/311	MF05GKY/311	MF05GBY/311	MF05GLY/311	MF05GAY/311
6	536	MF06GFY/311	MF06GEY/311	MF06GKY/311	MF06GBY/311	MF06GLY/311	MF06GAY/311

NOTE: For custom requests with dimensions different from the standard, please refer to page 318.

VERSION F 11

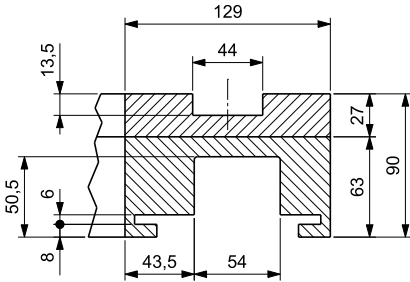
SUITABLE FOR CHAINS:

- 981M K 4½ (See page 38)
- PHD 981M K 4½ (See page 38)
- 880M RG K 4½ (See page 57)

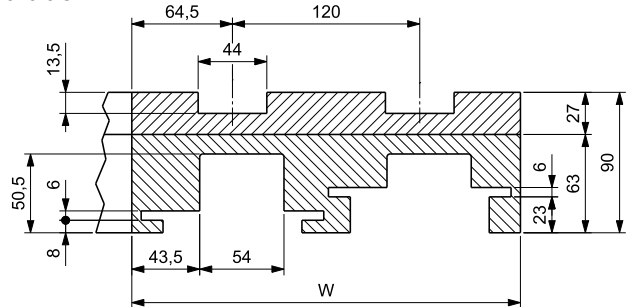
RADIUS mm	BASIC WIDTH mm	TRANSVERSAL PITCH mm	INFEED/ OUTFEED LENGTH mm
500	129	120	125



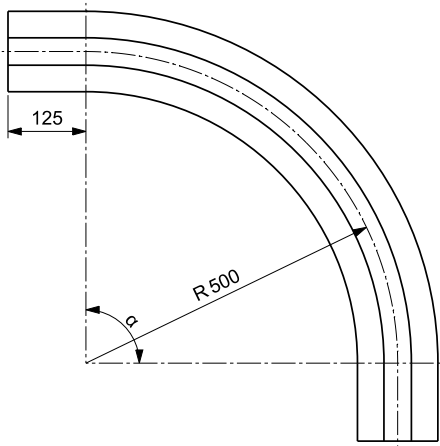
Single track



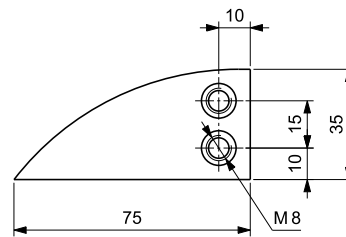
Multi track



Radius



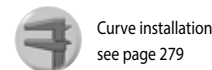
Return guide shoe



On request, Upper part is available in Self-Lubricating UHMWPE & Oil-filled PA.



CURVES	PART NUMBER IDENTIFICATION		
	SUPREME-A	NEW e-SLIDE	SUPREME-S
UPPER PART MATERIAL	UHMWPE	High performance Self-lubricating UHMWPE	Oil-filled PA
PART NUMBERS	See table below	Replace "MF" with "MFE" Example: 2 tracks, 90° curve angle, P/N: MFE02AA/442	Replace "MF" with "MFP" Example: 2 tracks, 90° curve angle, P/N: MFP02AA/442



Curve installation see page 279



Curve material see page 278

N. OF TRACKS	TOTAL WIDTH W mm	PART NUMBER					
		Curve angle α					
		15°	30°	45°	60°	75°	90°
1	129	MF01AFY/402	MF01AEY/402	MF01ACY/402	MF01ABY/402	MF01ALY/402	MF01AAY/402
2	249	MF02AFY/442	MF02AEY/442	MF02ACY/442	MF02ABY/442	MF02ALY/442	MF02AAY/442
3	369	MF03AFY/442	MF03AEY/442	MF03ACY/442	MF03ABY/442	MF03ALY/442	MF03AAY/442
4	489	MF04AFY/442	MF04AEY/442	MF04ACY/442	MF04ABY/442	MF04ALY/442	MF04AAY/442
5	609	MF05AFY/442	MF05AEY/442	MF05ACY/442	MF05ABY/442	MF05ALY/442	MF05AAY/442
6	729	MF06AFY/442	MF06AEY/442	MF06ACY/442	MF06ABY/442	MF06ALY/442	MF06AAY/442

NOTE: For custom requests with dimensions different from the standard, please refer to page 318.

VERSION F 12

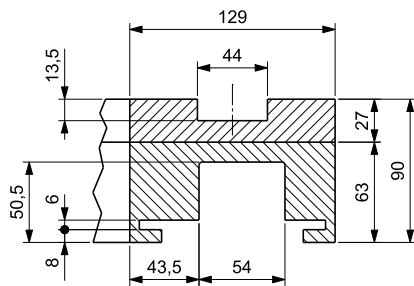
SUITABLE FOR CHAINS:

- 981M K 4½ (See page 38)
- PHD 981M K 4½ (See page 38)
- 880M RG K 4½ (See page 57)

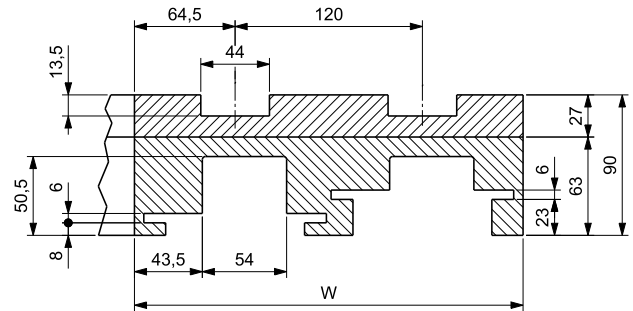
RADIUS mm	BASIC WIDTH mm	TRANSVERSAL PITCH mm	INFEED/ OUTFEED LENGTH mm
610	129	120	125



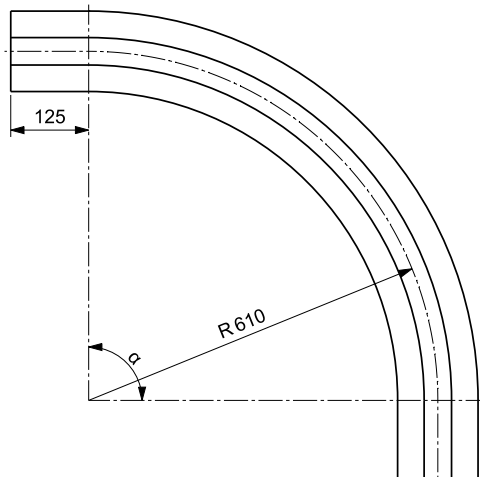
Single track



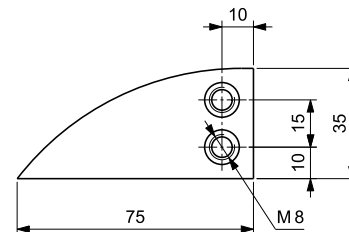
Multi track



Radius



Return guide shoe



On request, Upper part is available in Self-Lubricating UHMWPE & Oil-filled PA.



CURVES	PART NUMBER IDENTIFICATION		
UPPER PART MATERIAL	UHMWPE	High performance Self-lubricating UHMWPE	Oil-filled PA
PART NUMBERS	See table below	Replace "MF" with "MFE" Example: 2 tracks, 90° curve angle, P/N: MFE02CAY/442	Replace "MF" with "MFP" Example: 2 tracks, 90° curve angle, P/N: MFP02CAY/442



Curve installation see page 279



Curve material see page 278

N. OF TRACKS	TOTAL WIDTH W mm	PART NUMBER					
		Curve angle α					
		15°	30°	45°	60°	75°	90°
1	129	MF01CFY/402	MF01CEY/402	MF01CCY/402	MF01CBY/402	MF01CLY/402	MF01CAY/402
2	249	MF02CFY/442	MF02CEY/442	MF02CCY/442	MF02CBY/442	MF02CLY/442	MF02CAY/442
3	369	MF03CFY/442	MF03CEY/442	MF03CCY/442	MF03CBY/442	MF03CLY/442	MF03CAY/442
4	489	MF04CFY/442	MF04CEY/442	MF04CCY/442	MF04CBY/442	MF04CLY/442	MF04CAY/442
5	609	MF05CFY/442	MF05CEY/442	MF05CCY/442	MF05CBY/442	MF05CLY/442	MF05CAY/442
6	729	MF06CFY/442	MF06CEY/442	MF06CCY/442	MF06CBY/442	MF06CLY/442	MF06CAY/442

NOTE: For custom requests with dimensions different from the standard, please refer to page 318.

VERSION F 13

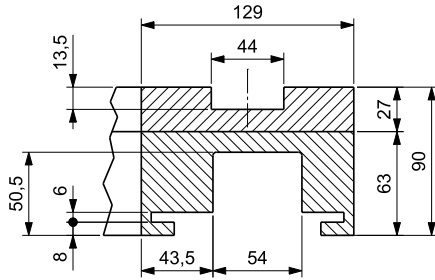
SUITABLE FOR CHAINS:

- 981M K 4½ (See page 38)
- PHD 981M K 4½ (See page 38)
- 880M RG K 4½ (See page 57)

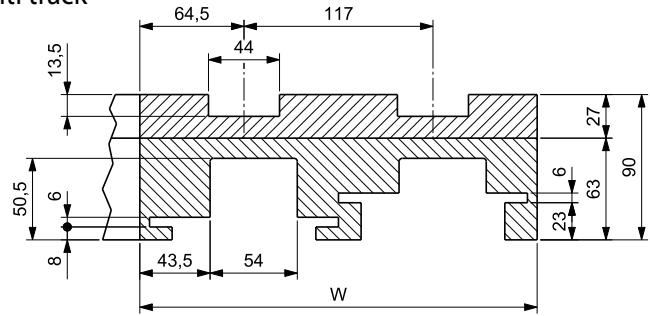
RADIUS mm	BASIC WIDTH mm	TRANSVERSAL PITCH mm	INFEED/ OUTFEED LENGTH mm
610	129	117	-



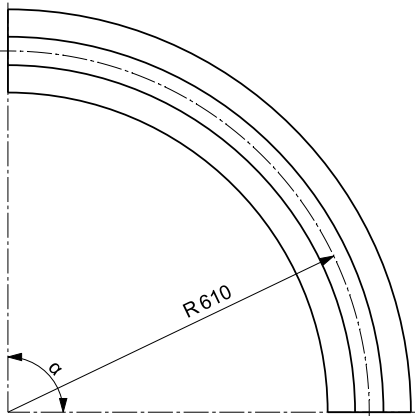
Single track



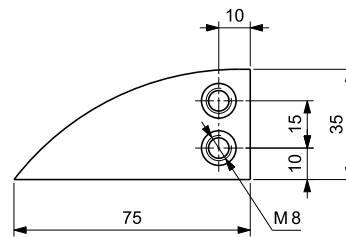
Multi track



Radius



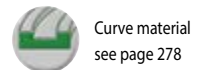
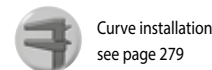
Return guide shoe



On request, Upper part is available in Self-Lubricating UHMWPE & Oil-filled PA.



CURVES	PART NUMBER IDENTIFICATION		
	SUPREME - A	NEW e-SLIDE	SUPREME - S
UPPER PART MATERIAL	UHMWPE	High performance Self-lubricating UHMWPE	Oil-filled PA
PART NUMBERS	See table below	Replace "MF" with "MFE" Example: 2 tracks, 90° curve angle, P/N: MFE02CAY/450	Replace "MF" with "MFP" Example: 2 tracks, 90° curve angle, P/N: MFP02CAY/450



N. OF TRACKS	TOTAL WIDTH W mm	PART NUMBER					
		Curve angle α					
		15°	30°	45°	60°	75°	90°
1	129	MF01CFY/400	MF01CEY/400	MF01CCY/400	MF01CBY/400	MF01CLY/400	MF01CAY/400
2	246	MF02CFY/450	MF02CEY/450	MF02CCY/450	MF02CBY/450	MF02CLY/450	MF02CAY/450
3	363	MF03CFY/450	MF03CEY/450	MF03CCY/450	MF03CBY/450	MF03CLY/450	MF03CAY/450
4	480	MF04CFY/450	MF04CEY/450	MF04CCY/450	MF04CBY/450	MF04CLY/450	MF04CAY/450
5	597	MF05CFY/450	MF05CEY/450	MF05CCY/450	MF05CBY/450	MF05CLY/450	MF05CAY/450
6	714	MF06CFY/450	MF06CEY/450	MF06CCY/450	MF06CBY/450	MF06CLY/450	MF06CAY/450

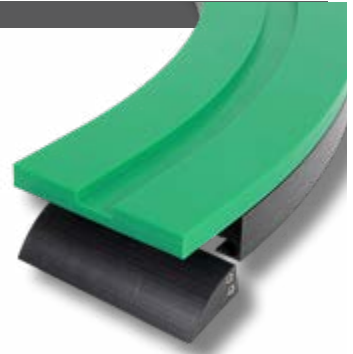
NOTE: For custom requests with dimensions different from the standard, please refer to page 318.

VERSION F 14

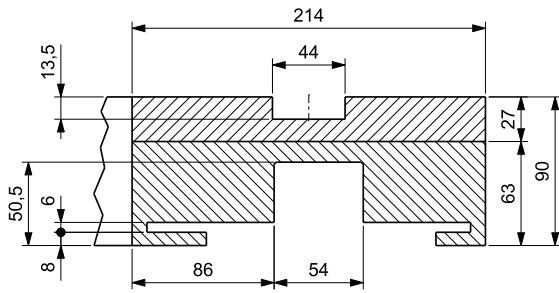
SUITABLE FOR CHAINS:

- 981M K 7½ (See page 38)
- PHD 981M K 7½ (See page 38)
- PHDG 981M K 7½ (See page 46)

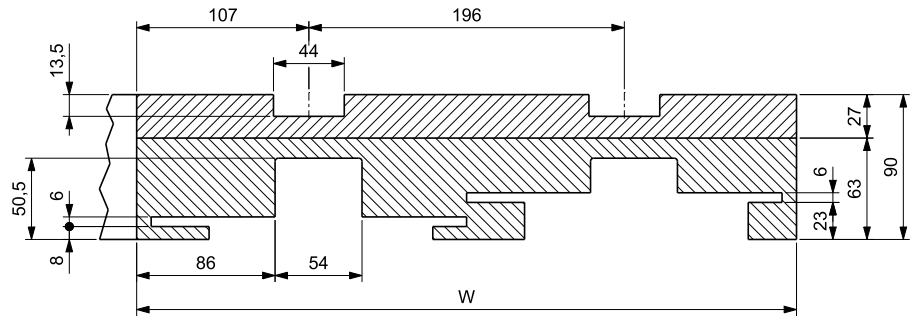
RADIUS mm	BASIC WIDTH mm	TRANSVERSAL PITCH mm	INFEED/ OUTFEED LENGTH mm
610	214	196	125



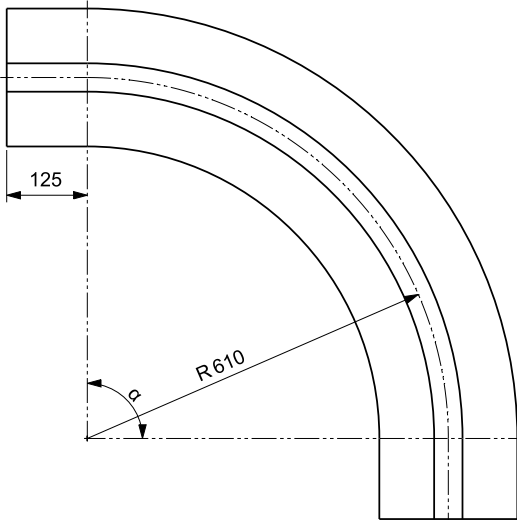
Single track



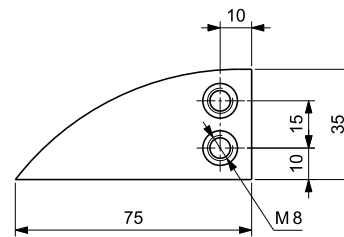
Multi track



Radius



Return guide shoe



On request, Upper part is available in Self-Lubricating UHMWPE & Oil-filled PA.



CURVES	PART NUMBER IDENTIFICATION		
UPPER PART MATERIAL	UHMWPE	High performance Self-lubricating UHMWPE	Oil-filled PA
PART NUMBERS	See table below	Replace "MF" with "MFE" Example: 2 tracks, 90° curve angle, P/N: MFE02CAY/672	Replace "MF" with "MFP" Example: 2 tracks, 90° curve angle, P/N: MFP02CAY/672



Curve installation see page 279



Curve material see page 278

N. OF TRACKS	TOTAL WIDTH W mm	PART NUMBER					
		Curve angle α					
		15°	30°	45°	60°	75°	90°
1	214	MF01CFY/602	MF01CEY/602	MF01CCY/602	MF01CBY/602	MF01CLY/602	MF01CAY/602
2	410	MF02CFY/672	MF02CEY/672	MF02CCY/672	MF02CBY/672	MF02CLY/672	MF02CAY/672
3	606	MF03CFY/672	MF03CEY/672	MF03CCY/672	MF03CBY/672	MF03CLY/672	MF03CAY/672
4	802	MF04CFY/672	MF04CEY/672	MF04CCY/672	MF04CBY/672	MF04CLY/672	MF04CAY/672

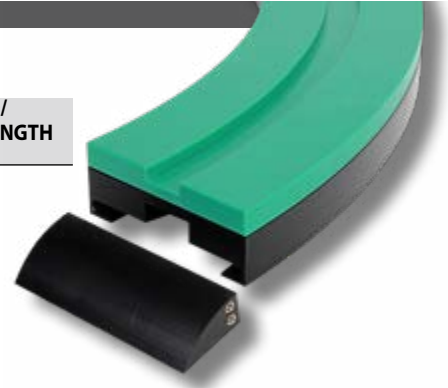
NOTE: For custom requests with dimensions different from the standard, please refer to page 318.

VERSION F 15

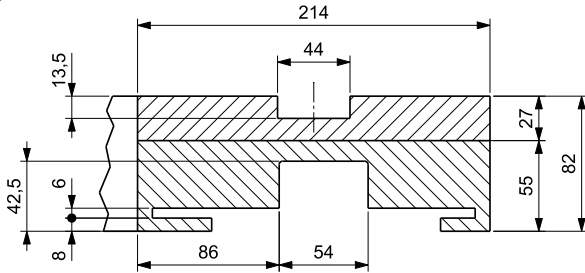
SUITABLE FOR CHAINS:

- 981M K 7½ (See page 38)
- PHD 981M K 7½ (See page 38)
- PHDG 981M K 7½ (See page 46)

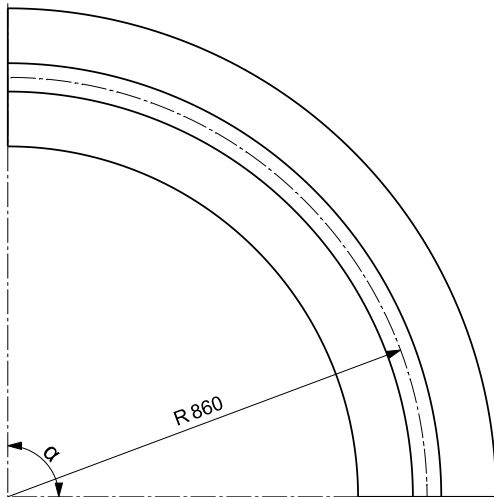
RADIUS mm	BASIC WIDTH mm	TRANSVERSAL PITCH mm	INFEEED/ OUTFEED LENGTH mm
860	214	Single track	-



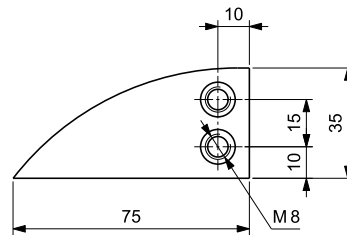
Single track



Radius



Return guide shoe



On request, Upper part is available in Self-Lubricating UHMWPE & Oil-filled PA.



CURVES	PART NUMBER IDENTIFICATION		
	SUPREME - A	NEW e-SLIDE	SUPREME - S
UPPER PART MATERIAL	UHMWPE	High performance Self-lubricating UHMWPE	Oil-filled PA
PART NUMBERS	See table below	Replace "MF" with "MFE" Example: 1 track, 90° curve angle, P/N: MFE01FAX/600	Replace "MF" with "MFP" Example: 1 track, 90° curve angle, P/N: MFP01FAX/600



Curve installation see page 279



Curve material see page 278

N. OF TRACKS	TOTAL WIDTH W mm	PART NUMBER					
		Curve angle α					
		15°	30°	45°	60°	75°	90°
1	214	MF01FFX/600	MF01FEX/600	MF01FCX/600	MF01FBX/600	MF01FLX/600	MF01FAX/600

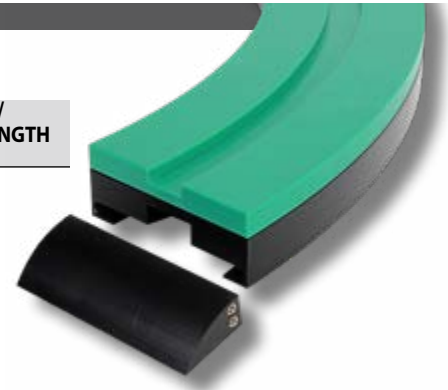
NOTE: For custom requests with dimensions different from the standard, please refer to page 318.

VERSION F 16

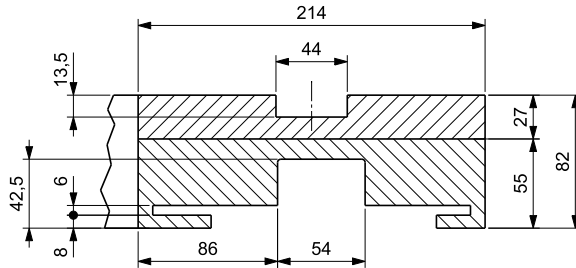
SUITABLE FOR CHAINS:

- 981M K 7½ (See page 38)
- PHD 981M K 7½ (See page 38)
- PHDG 981M K 7½ (See page 46)

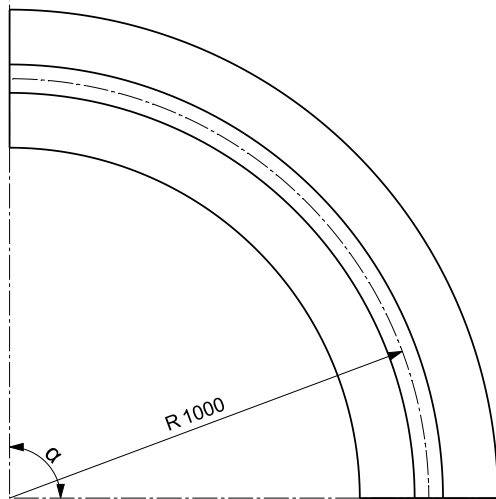
RADIUS mm	BASIC WIDTH mm	TRANSVERSAL PITCH mm	INFEED/ OUTFEED LENGTH mm
1000	214	Single track	-



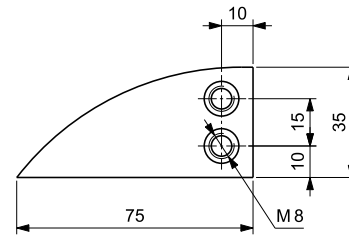
Single track



Radius



Return guide shoe



On request, Upper part is available in Self-Lubricating UHMWPE & Oil-filled PA.



PART NUMBER IDENTIFICATION			
CURVES			
UPPER PART MATERIAL	UHMWPE	High performance Self-lubricating UHMWPE	Oil-filled PA
PART NUMBERS	See table below	Replace "MF" with "MFE" Example: 1 track, 90° curve angle, P/N: MFE01GAX/600	Replace "MF" with "MFP" Example: 1 track, 90° curve angle, P/N: MFP01GAX/600



Curve installation see page 279



Curve material see page 278

N. OF TRACKS	TOTAL WIDTH W mm	PART NUMBER					
		15°	30°	45°	60°	75°	90°
1	214	MF01GFX/600	MF01GEX/600	MF01GCX/600	MF01GBX/600	MF01GLX/600	MF01GAX/600

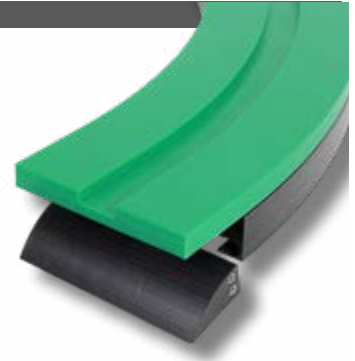
NOTE: For custom requests with dimensions different from the standard, please refer to page 318.

VERSION H 01

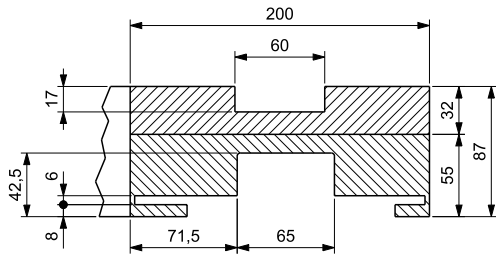
SUITABLE FOR CHAINS:

- PHD 9857M K 7½ (See page 39)
- PHDG 9857M K 7½ (See page 47)
- 882M K 7½ (See page 62)
- HFX 882M K 7½ (See page 71)

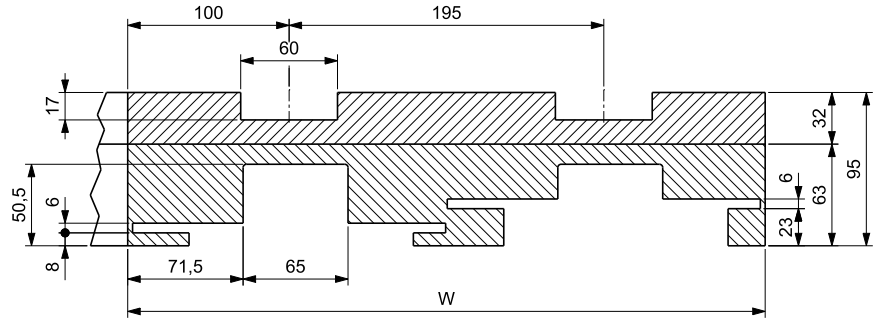
RADIUS	BASIC WIDTH	TRANSVERSAL PITCH	INFEEED/OUTFEED LENGTH
mm	mm	mm	mm
610	200	195	100



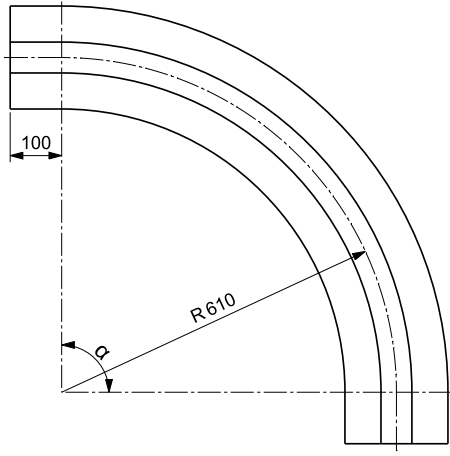
Single track



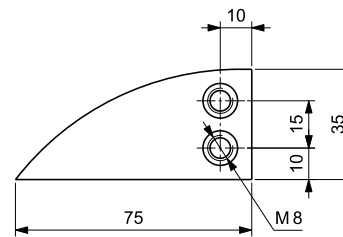
Multi track



Radius



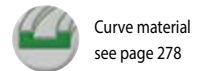
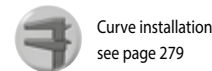
Return guide shoe



On request, Upper part is available in Self-Lubricating UHMWPE & Oil-filled PA.



CURVES	PART NUMBER IDENTIFICATION		
	SUPREME -A	NEW e-SLIDE	SUPREME -S
UPPER PART MATERIAL	UHMWPE	High performance Self-lubricating UHMWPE	Oil-filled PA
PART NUMBERS	See table below	Replace "MH" with "MHE" Example: 2 tracks, 90° curve angle, P/N: MHE02CAZ/561	Replace "MH" with "MHP" Example: 2 tracks, 90° curve angle, P/N: MHP02CAZ/561



N. OF TRACKS	TOTAL WIDTH W mm	PART NUMBER					
		Curve angle α					
		15°	30°	45°	60°	75°	90°
1	200	MH01CFW/501	MH01CEW/501	MH01CCW/501	MH01CBW/501	MH01CLW/501	MH01CAW/501
2	395	MH02CFZ/561	MH02CEZ/561	MH02CCZ/561	MH02CBZ/561	MH02CLZ/561	MH02CAZ/561
3	590	MH03CFZ/561	MH03CEZ/561	MH03CCZ/561	MH03CBZ/561	MH03CLZ/561	MH03CAZ/561
4	785	MH04CFZ/561	MH04CEZ/561	MH04CCZ/561	MH04CBZ/561	MH04CLZ/561	MH04CAZ/561

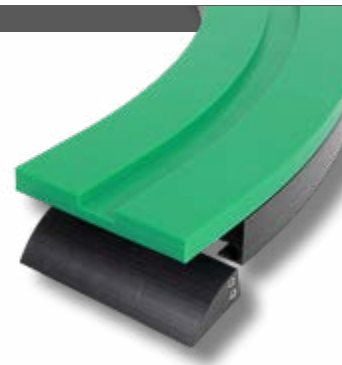
NOTE: For custom requests with dimensions different from the standard, please refer to page 318.

VERSION H 02

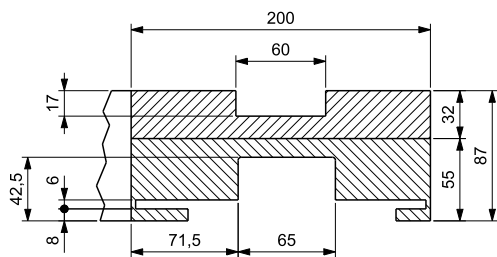
SUITABLE FOR CHAINS:

- PHD 9857M K 7½ (See page 39)
- PHDG 9857M K 7½ (See page 47)
- 882M K 7½ (See page 62)
- HFX 882M K 7½ (See page 71)

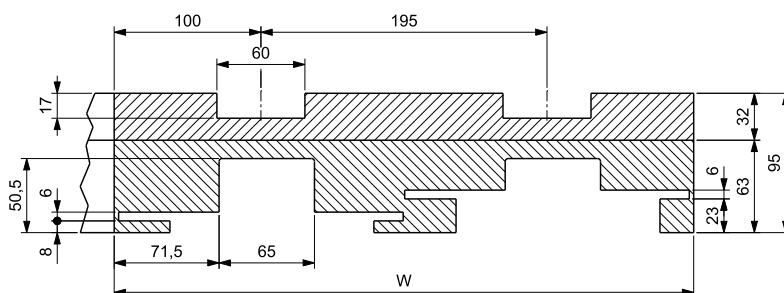
RADIUS mm	BASIC WIDTH mm	TRANSVERSAL PITCH mm	INFEED/ OUTFEED LENGTH mm
750	200	195	100



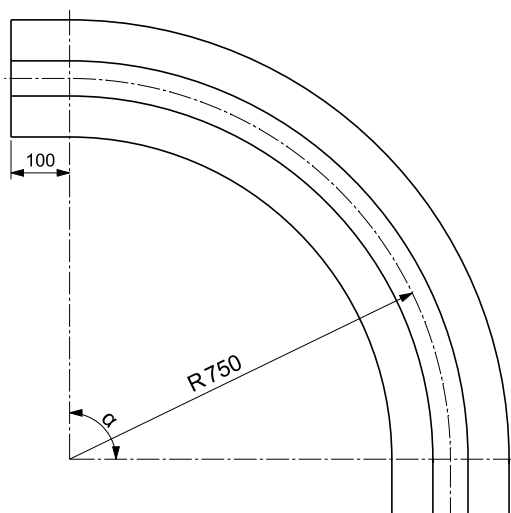
Single track



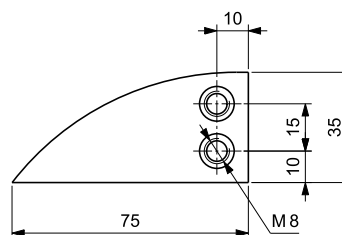
Multi track



Radius



Return guide shoe



On request, Upper part is available in Self-Lubricating UHMWPE & Oil-filled PA.



CURVES	PART NUMBER IDENTIFICATION		
UPPER PART MATERIAL	UHMWPE	High performance Self-lubricating UHMWPE	Oil-filled PA
PART NUMBERS	See table below	Replace "MH" with "MHE" Example: 2 tracks, 90° curve angle, P/N: MHE02EAZ/561	Replace "MH" with "MHP" Example: 2 tracks, 90° curve angle, P/N: MHP02EAZ/561



Curve installation see page 279



Curve material see page 278

N. OF TRACKS	TOTAL WIDTH W mm	PART NUMBER					
		Curve angle α					
		15°	30°	45°	60°	75°	90°
1	200	MH01EFW/501	MH01EEW/501	MH01ECW/501	MH01EBW/501	MH01ELW/501	MH01EAW/501
2	395	MH02EFZ/561	MH02EEZ/561	MH02ECZ/561	MH02EBZ/561	MH02ELZ/561	MH02EAZ/561
3	590	MH03EFZ/561	MH03EEZ/561	MH03ECZ/561	MH03EBZ/561	MH03ELZ/561	MH03EAZ/561
4	785	MH04EFZ/561	MH04EEZ/561	MH04ECZ/561	MH04EBZ/561	MH04ELZ/561	MH04EAZ/561

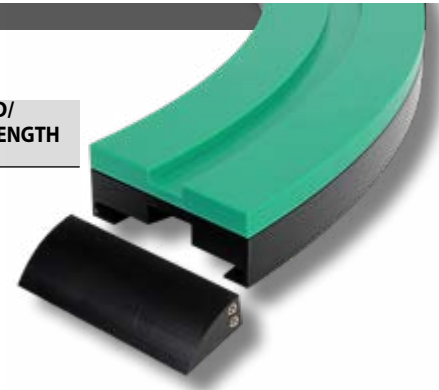
NOTE: For custom requests with dimensions different from the standard, please refer to page 318.

VERSION H 03

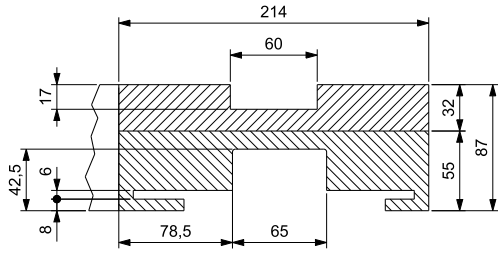
SUITABLE FOR CHAINS:

- PHD 9857M K 7½ (See page 39)
- PHDG 9857M K 7½ (See page 47)
- 882M K 7½ (See page 62)
- HFX 882M K 7½ (See page 71)

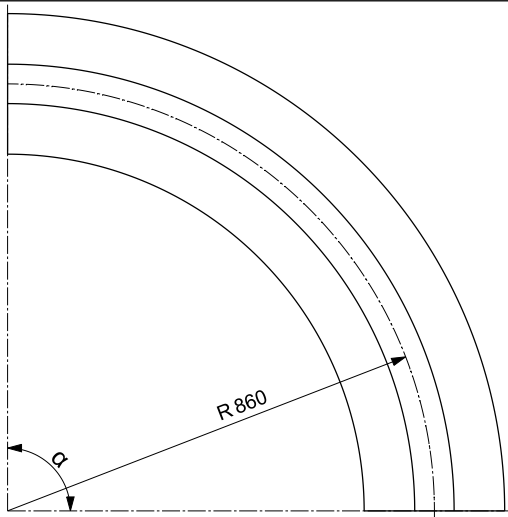
RADIUS mm	BASIC WIDTH mm	TRANSVERSAL PITCH mm	INFEEED/ OUTFEED LENGTH mm
860	214	Single track	-



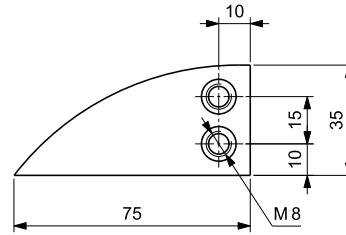
Single track



Radius



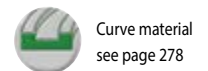
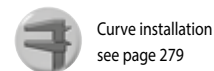
Return guide shoe



On request, Upper part is available in Self-Lubricating UHMWPE & Oil-filled PA.



CURVES	PART NUMBER IDENTIFICATION		
	SUPREME - A	NEW e-SLIDE	SUPREME - S
UPPER PART MATERIAL	UHMWPE	High performance Self-lubricating UHMWPE	Oil-filled PA
PART NUMBERS	See table below	Replace "MH" with "MHE" Example: 1 track, 90° curve angle, P/N: MHE01FAW/600	Replace "MH" with "MHP" Example: 1 track, 90° curve angle, P/N: MHP01FAW/600



N. OF TRACKS	TOTAL WIDTH W mm	PART NUMBER					
		Curve angle α					
		15°	30°	45°	60°	75°	90°
1	214	MH01FFW/600	MH01FEW/600	MH01FCW/600	MH01FBW/600	MH01FLW/600	MH01FAW/600

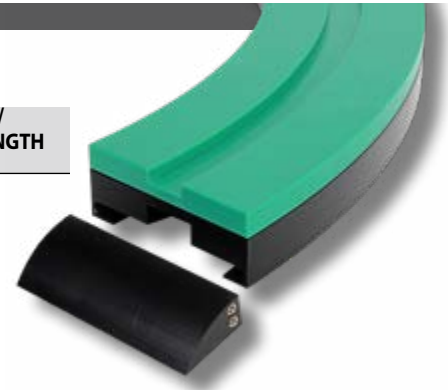
NOTE: For custom requests with dimensions different from the standard, please refer to page 318.

VERSION H 04

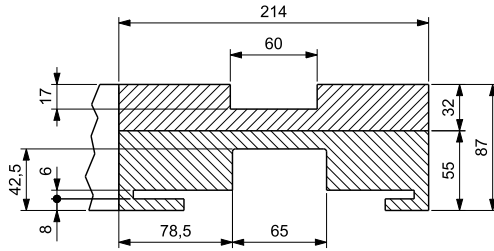
SUITABLE FOR CHAINS:

- PHD 9857M K 7½ (See page 39)
- PHDG 9857M K 7½ (See page 47)
- 882M K 7½ (See page 62)
- HFX 882M K 7½ (See page 71)

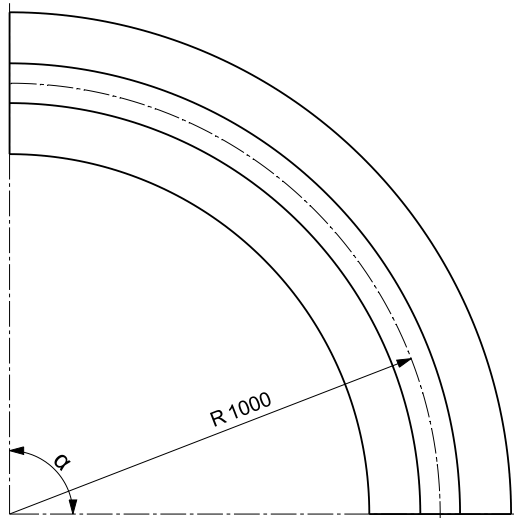
RADIUS	BASIC WIDTH	TRANSVERSAL PITCH	INFEED/ OUFEEED LENGTH
mm	mm	mm	mm
1000	214	Single track	-



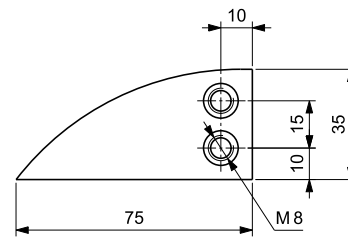
Single track



Radius



Return guide shoe



On request, Upper part is available in Self-Lubricating UHMWPE & Oil-filled PA.



CURVES	PART NUMBER IDENTIFICATION		
UPPER PART MATERIAL	UHMWPE	High performance Self-lubricating UHMWPE	Oil-filled PA
PART NUMBERS	See table below	Replace "MH" with "MHE" Example: 1 track, 90° curve angle, P/N: MHE01GAW/600	Replace "MH" with "MHP" Example: 1 track, 90° curve angle, P/N: MHP01GAW/600



Curve installation see page 279



Curve material see page 278

N. OF TRACKS	TOTAL WIDTH W mm	PART NUMBER					
		Curve angle α					
		15°	30°	45°	60°	75°	90°
1	214	MH01GFW/600	MH01GEW/600	MH01GCW/600	MH01GBW/600	MH01GLW/600	MH01GAW/600

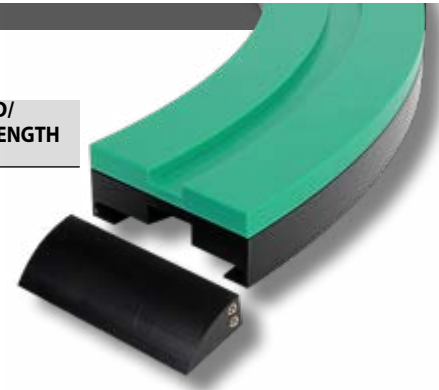
NOTE: For custom requests with dimensions different from the standard, please refer to page 318.

VERSION H 05

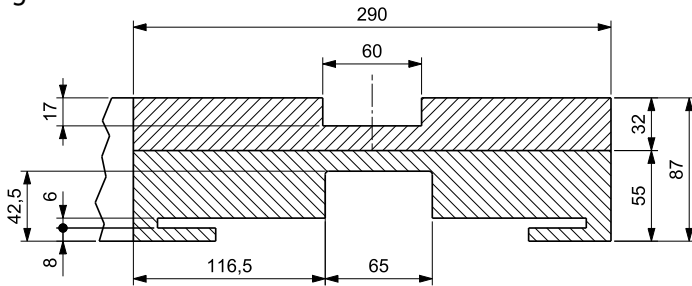
SUITABLE FOR CHAINS:

- 882M K 10 (See page 62)
- HFX 882M K 10 (See page 71)

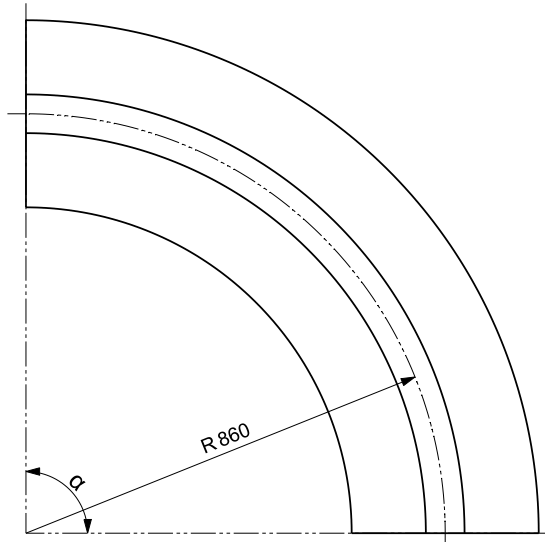
RADIUS mm	BASIC WIDTH mm	TRANSVERSAL PITCH mm	INFEEED/ OUTFEED LENGTH mm
860	290	Single track	-



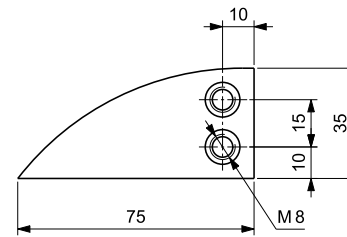
Single track



Radius



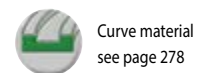
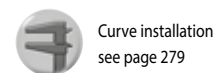
Return guide shoe



On request, Upper part is available in Self-Lubricating UHMWPE & Oil-filled PA.



CURVES	PART NUMBER IDENTIFICATION		
	SUPREME - A	NEW e-SLIDE	SUPREME - S
UPPER PART MATERIAL	UHMWPE	High performance Self-lubricating UHMWPE	Oil-filled PA
PART NUMBERS	See table below	Replace "MH" with "MHE" Example: 1 track, 90° curve angle, P/N: MHE01FAW/L00	Replace "MH" with "MHP" Example: 1 track, 90° curve angle, P/N: MHP01FAW/L00



N. OF TRACKS	TOTAL WIDTH W mm	PART NUMBER					
		Curve angle α					
		15°	30°	45°	60°	75°	90°
1	290	MH01FFW/L00	MH01FEW/L00	MH01FCW/L00	MH01FBW/L00	MH01FLW/L00	MH01FAW/L00

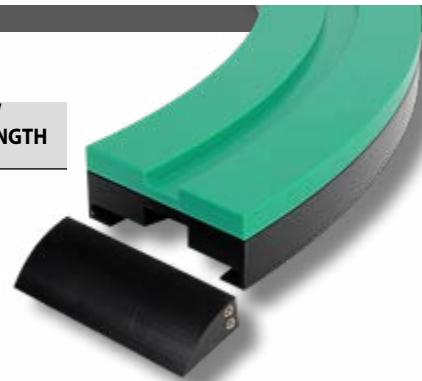
NOTE: For custom requests with dimensions different from the standard, please refer to page 318.

VERSION H 06

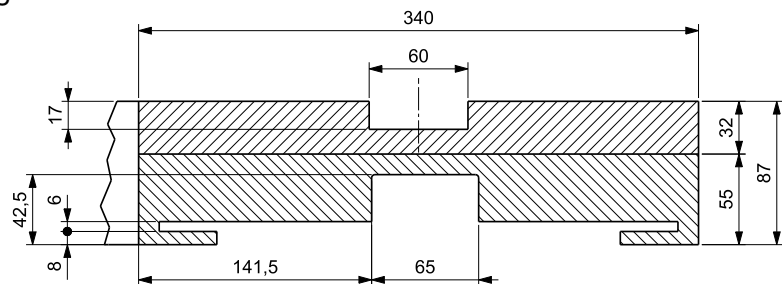
SUITABLE FOR CHAINS:

- 882M K 12 (See page 62)
- HFX 882M K 12 (See page 71)

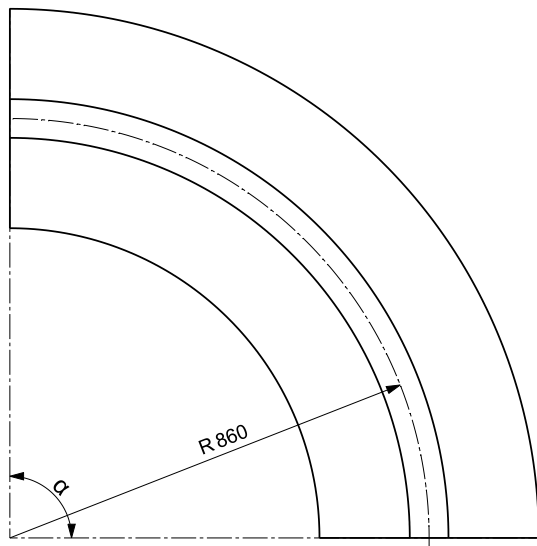
RADIUS mm	BASIC WIDTH mm	TRANSVERSAL PITCH mm	INFEED/ OUTFEED LENGTH mm
860	340	Single track	-



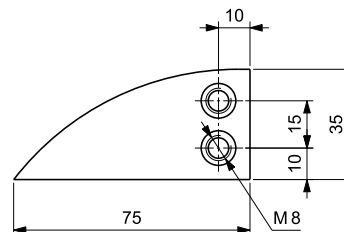
Single track



Radius



Return guide shoe



On request, Upper part is available in Self-Lubricating UHMWPE & Oil-filled PA.



PART NUMBER IDENTIFICATION			
CURVES			
UPPER PART MATERIAL	UHMWPE	High performance Self-lubricating UHMWPE	Oil-filled PA
PART NUMBERS	See table below	Replace "MH" with "MHE" Example: 1 track, 90° curve angle, P/N: MHE01FAW/J00	Replace "MH" with "MHP" Example: 1 track, 90° curve angle, P/N: MHP01FAW/J00



Curve installation see page 279



Curve material see page 278

N. OF TRACKS	TOTAL WIDTH W mm	PART NUMBER					
		Curve angle α					
		15°	30°	45°	60°	75°	90°
1	340	MH01FFW/J00	MH01FEW/J00	MH01FCW/J00	MH01FBW/J00	MH01FLW/J00	MH01FAW/J00

NOTE: For custom requests with dimensions different from the standard, please refer to page 318.

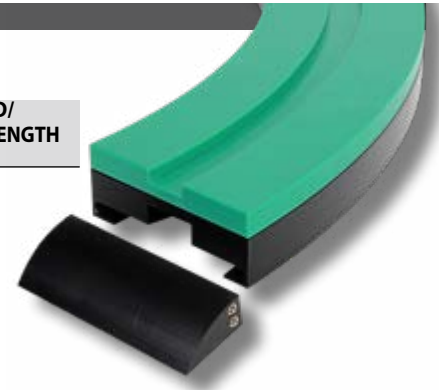
VERSION L 01

SUITABLE FOR CHAINS:

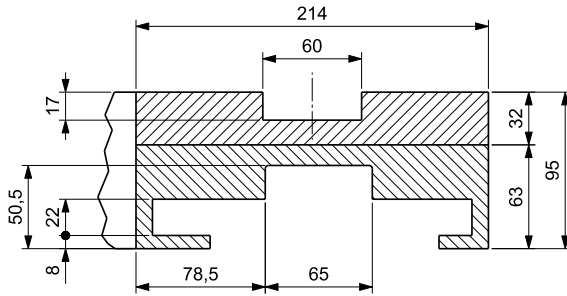
- LBP 882M K 7½

(See page 109)

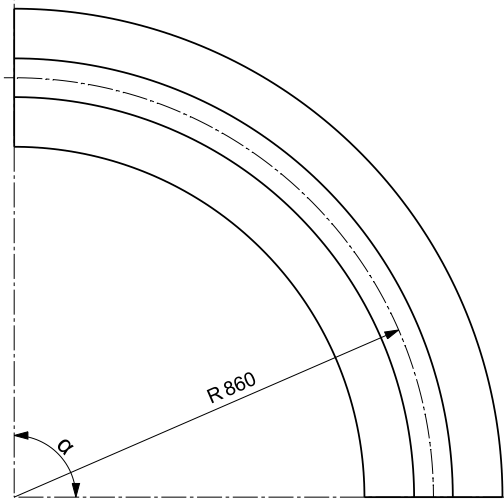
RADIUS mm	BASIC WIDTH mm	TRANSVERSAL PITCH mm	INFEEED/ OUTFEED LENGTH mm
860	214	Single track	-



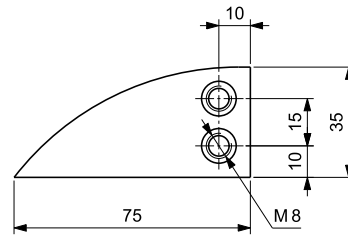
Single track



Radius



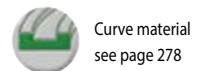
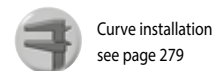
Return guide shoe



On request, Upper part is available in Self-Lubricating UHMWPE & Oil-filled PA.



CURVES	PART NUMBER IDENTIFICATION		
UPPER PART MATERIAL	UHMWPE	High performance Self-lubricating UHMWPE	Oil-filled PA
PART NUMBERS	See table below	Replace "ML" with "MLE" Example: 1 track, 90° curve angle, P/N: MLE01FAZ/600	Replace "ML" with "MLP" Example: 1 track, 90° curve angle, P/N: MLP01FAZ/600



N. OF TRACKS	TOTAL WIDTH W mm	PART NUMBER					
		Curve angle α					
		15°	30°	45°	60°	75°	90°
1	214	ML01FFZ/600	ML01FEZ/600	ML01FCZ/600	ML01FBZ/600	ML01FLZ/600	ML01FAZ/600

NOTE: For custom requests with dimensions different from the standard, please refer to page 318.

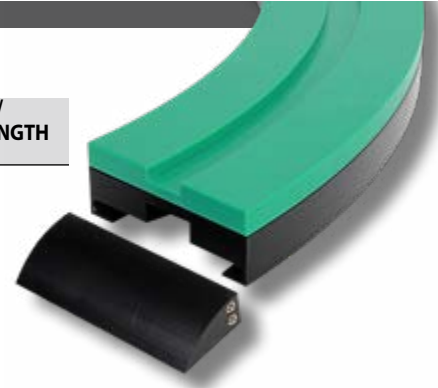
VERSION L 02

SUITABLE FOR CHAINS:

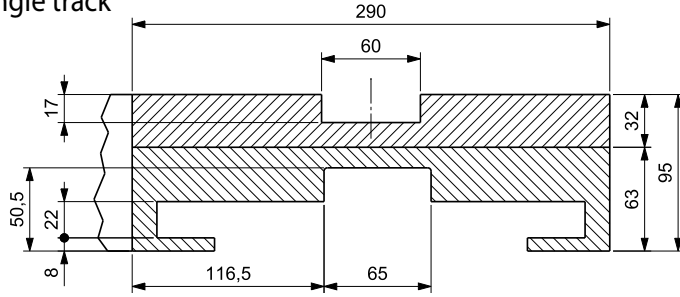
- LBP 882M K 10

(See page 109)

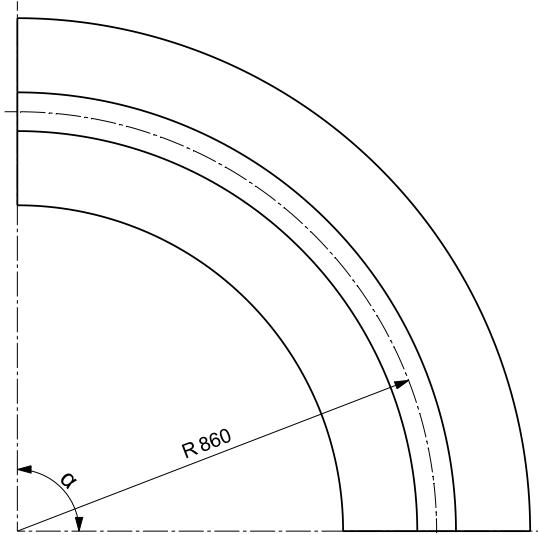
RADIUS mm	BASIC WIDTH mm	TRANSVERSAL PITCH mm	INFEED/ OUTFEED LENGTH mm
860	290	Single track	-



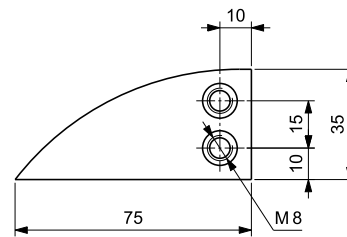
Single track



Radius



Return guide shoe



On request, Upper part is available in Self-Lubricating UHMWPE & Oil-filled PA.



PART NUMBER IDENTIFICATION			
CURVES			
UPPER PART MATERIAL	UHMWPE	High performance Self-lubricating UHMWPE	Oil-filled PA
PART NUMBERS	See table below	Replace "ML" with "MLE" Example: 1 track, 90° curve angle, P/N: MLE01FAZ/L00	Replace "ML" with "MLP" Example: 1 track, 90° curve angle, P/N: MLP01FAZ/L00



Curve installation see page 279



Curve material see page 278

N. OF TRACKS	TOTAL WIDTH W mm	PART NUMBER					
		Curve angle α					
		15°	30°	45°	60°	75°	90°
1	290	ML01FFZ/L00	ML01FEZ/L00	ML01FCZ/L00	ML01FBZ/L00	ML01FLZ/L00	ML01FAZ/L00

NOTE: For custom requests with dimensions different from the standard, please refer to page 318.

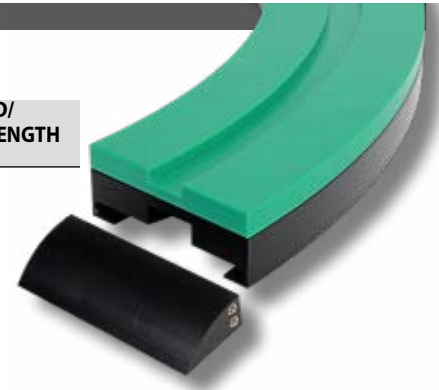
VERSION L 03

SUITABLE FOR CHAINS:

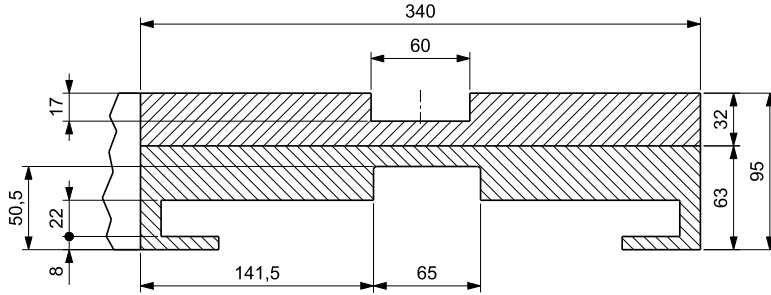
- LBP 882M K 12

(See page 109)

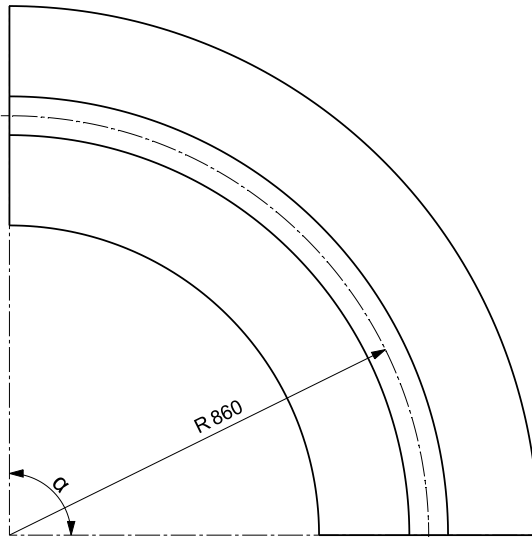
RADIUS	BASIC WIDTH	TRANSVERSAL PITCH	INFEEED/OUTFEED LENGTH
mm	mm	mm	mm
860	340	Single track	-



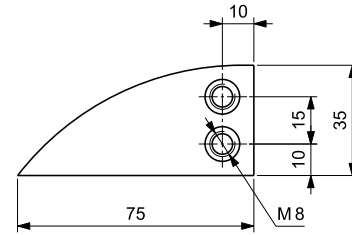
Single track



Radius



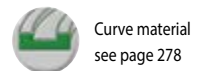
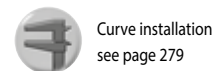
Return guide shoe



On request, Upper part is available in Self-Lubricating UHMWPE & Oil-filled PA.



CURVES	PART NUMBER IDENTIFICATION		
UPPER PART MATERIAL	UHMWPE	High performance Self-lubricating UHMWPE	Oil-filled PA
PART NUMBERS	See table below	Replace "ML" with "MLE" Example: 1 track, 90° curve angle, P/N: MLE01FAZ/J00	Replace "ML" with "MLP" Example: 1 track, 90° curve angle, P/N: MLP01FAZ/J00



N. OF TRACKS	TOTAL WIDTH W mm	PART NUMBER					
		Curve angle α					
		15°	30°	45°	60°	75°	90°
1	340	ML01FFZ/J00	ML01FEZ/J00	ML01FCZ/J00	ML01FBZ/J00	ML01FLZ/J00	ML01FAZ/J00

NOTE: For custom requests with dimensions different from the standard, please refer to page 318.

VERSION M 01

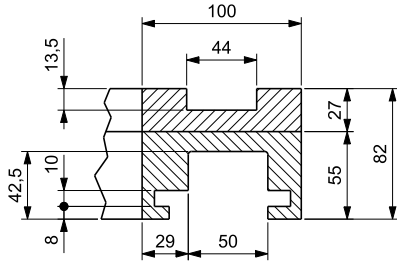
SUITABLE FOR CHAINS:

- 782M K 83,8 (See page 247)
- 783M K 83,8 (See page 247)

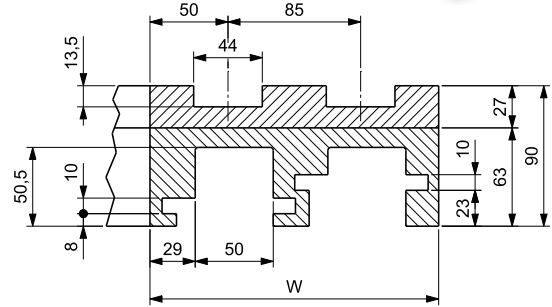
RADIUS	BASIC WIDTH	TRANSVERSAL PITCH	INFEED/OUTFEED LENGTH
mm	mm	mm	mm
500	100	85	-



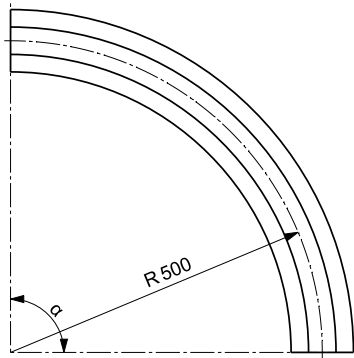
Single track



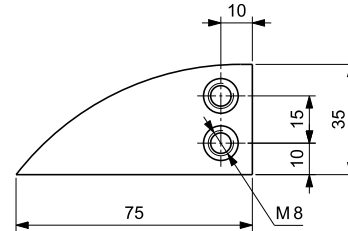
Multi track



Radius



Return guide shoe



On request, Upper part is available in Self-Lubricating UHMWPE & Oil-filled PA.



CURVES	PART NUMBER IDENTIFICATION		
UPPER PART MATERIAL	UHMWPE	High performance Self-lubricating UHMWPE	Oil-filled PA
PART NUMBERS	See table below	Replace "MM" with "MME" Example: 2 tracks, 90° curve angle, P/N: MME02AAy/110	Replace "MM" with "MMP" Example: 2 tracks, 90° curve angle, P/N: MMP02AAy/110



Curve installation see page 279



Curve material see page 278

N. OF TRACKS	TOTAL WIDTH W mm	PART NUMBER					
		Curve angle α					
		15°	30°	45°	60°	75°	90°
1	100	MM01AFX/100	MM01AEX/100	MM01ACX/100	MM01ABX/100	MM01ALX/100	MM01AAX/100
2	185	MM02AFY/110	MM02AEY/110	MM02ACY/110	MM02ABY/110	MM02ALY/110	MM02AAY/110
3	270	MM03AFY/110	MM03AEY/110	MM03ACY/110	MM03ABY/110	MM03ALY/110	MM03AAY/110
4	355	MM04AFY/110	MM04AEY/110	MM04ACY/110	MM04ABY/110	MM04ALY/110	MM04AAY/110
5	440	MM05AFY/110	MM05AEY/110	MM05ACY/110	MM05ABY/110	MM05ALY/110	MM05AAY/110
6	525	MM06AFY/110	MM06AEY/110	MM06ACY/110	MM06ABY/110	MM06ALY/110	MM06AAY/110

NOTE: For custom requests with dimensions different from the standard, please refer to page 318.

VERSION M 02

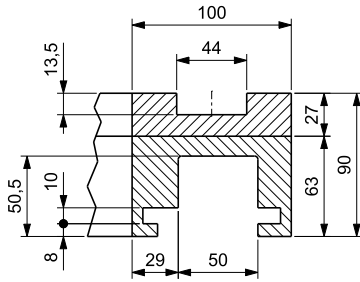
SUITABLE FOR CHAINS:

- 782M K 83,8 (See page 247)
- 783M K 83,8 (See page 247)

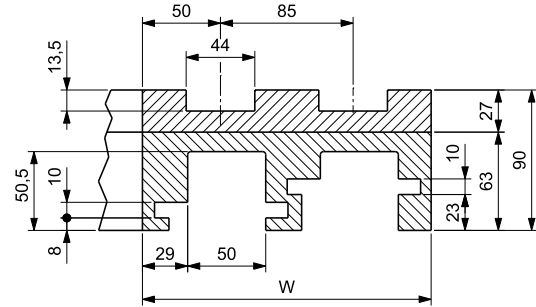
RADIUS	BASIC WIDTH	TRANSVERSAL PITCH	INFEED/OUTFEED LENGTH
mm	mm	mm	mm
500	100	85	100



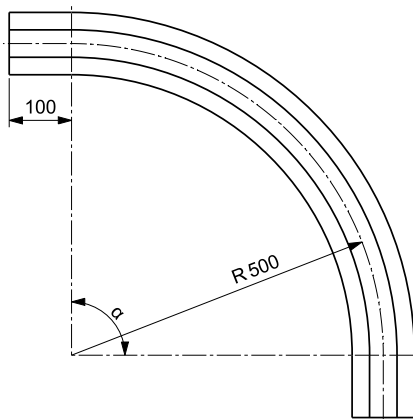
Single track



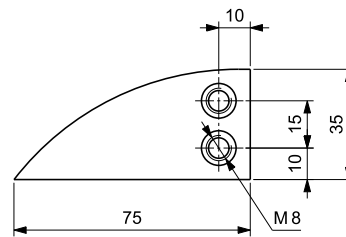
Multi track



Radius



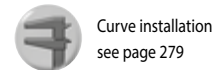
Return guide shoe



On request, Upper part is available in Self-Lubricating UHMWPE & Oil-filled PA.



CURVES	PART NUMBER IDENTIFICATION		
	SUPREME-A	NEW e-SLIDE	SUPREME-S
UPPER PART MATERIAL	UHMWPE	High performance Self-lubricating UHMWPE	Oil-filled PA
PART NUMBERS	See table below	Replace "MM" with "MME" Example: 2 tracks, 90° curve angle, P/N: MME02AAY/111	Replace "MM" with "MMP" Example: 2 tracks, 90° curve angle, P/N: MMP02AAY/111



Curve installation see page 279



Curve material see page 278

N. OF TRACKS	TOTAL WIDTH W mm	PART NUMBER					
		Curve angle α					
		15°	30°	45°	60°	75°	90°
1	100	MM01AFY/101	MM01AEY/101	MM01ACY/101	MM01ABY/101	MM01ALY/101	MM01AAY/101
2	185	MM02AFY/111	MM02AEY/111	MM02ACY/111	MM02ABY/111	MM02ALY/111	MM02AAY/111
3	270	MM03AFY/111	MM03AEY/111	MM03ACY/111	MM03ABY/111	MM03ALY/111	MM03AAY/111
4	355	MM04AFY/111	MM04AEY/111	MM04ACY/111	MM04ABY/111	MM04ALY/111	MM04AAY/111
5	440	MM05AFY/111	MM05AEY/111	MM05ACY/111	MM05ABY/111	MM05ALY/111	MM05AAY/111
6	525	MM06AFY/111	MM06AEY/111	MM06ACY/111	MM06ABY/111	MM06ALY/111	MM06AAY/111

NOTE: For custom requests with dimensions different from the standard, please refer to page 318.

VERSION M 03

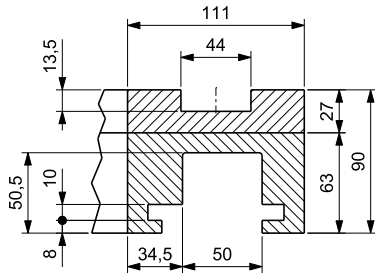
SUITABLE FOR CHAINS:

- 782M K 83,8 (See page 247)
- 783M K 83,8 (See page 247)

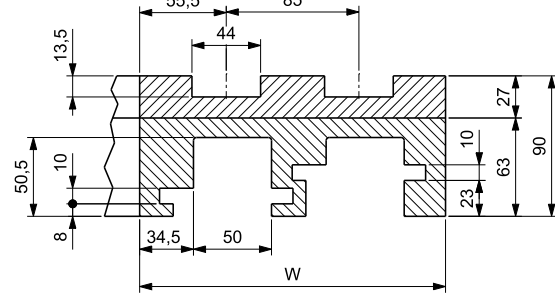
RADIUS mm	BASIC WIDTH mm	TRANSVERSAL PITCH mm	INFEED/ OUTFEED LENGTH mm
500	111	85	100



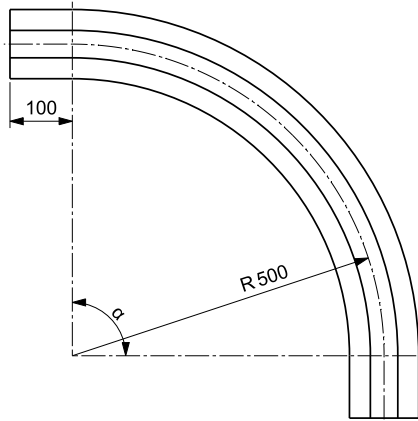
Single track



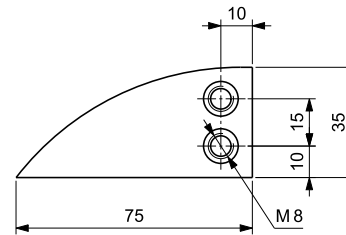
Multi track



Radius



Return guide shoe



On request, Upper part is available in Self-Lubricating UHMWPE & Oil-filled PA.



PART NUMBER IDENTIFICATION			
CURVES			
UPPER PART MATERIAL	UHMWPE	High performance Self-lubricating UHMWPE	Oil-filled PA
PART NUMBERS	See table below	Replace "MM" with "MME" Example: 2 tracks, 90° curve angle, P/N: MME02AAY/311	Replace "MM" with "MMP" Example: 2 tracks, 90° curve angle, P/N: MMP02AAY/311



Curve installation see page 279



Curve material see page 278

N. OF TRACKS	TOTAL WIDTH W mm	PART NUMBER					
		Curve angle α					
		15°	30°	45°	60°	75°	90°
1	111	MM01AFY/301	MM01AEY/301	MM01ACY/301	MM01ABY/301	MM01ALY/301	MM01AAY/301
2	196	MM02AFY/311	MM02AEY/311	MM02ACY/311	MM02ABY/311	MM02ALY/311	MM02AAY/311
3	281	MM03AFY/311	MM03AEY/311	MM03ACY/311	MM03ABY/311	MM03ALY/311	MM03AAY/311
4	366	MM04AFY/311	MM04AEY/311	MM04ACY/311	MM04ABY/311	MM04ALY/311	MM04AAY/311
5	451	MM05AFY/311	MM05AEY/311	MM05ACY/311	MM05ABY/311	MM05ALY/311	MM05AAY/311
6	536	MM06AFY/311	MM06AEY/311	MM06ACY/311	MM06ABY/311	MM06ALY/311	MM06AAY/311

NOTE: For custom requests with dimensions different from the standard, please refer to page 318.

VERSION M 04

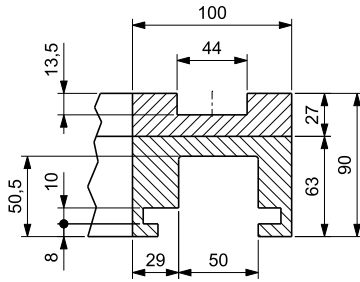
SUITABLE FOR CHAINS:

- 782M K 83,8 (See page 247)
- 783M K 83,8 (See page 247)

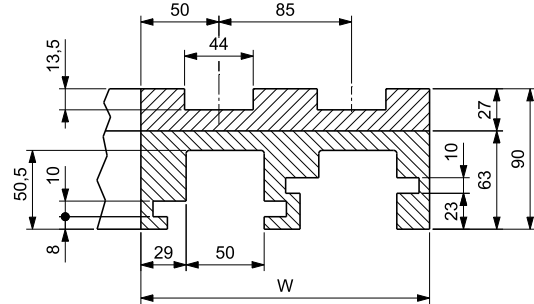
RADIUS	BASIC WIDTH	TRANSVERSAL PITCH	INFEED/OUTFEED LENGTH
mm	mm	mm	mm
750	100	85	100



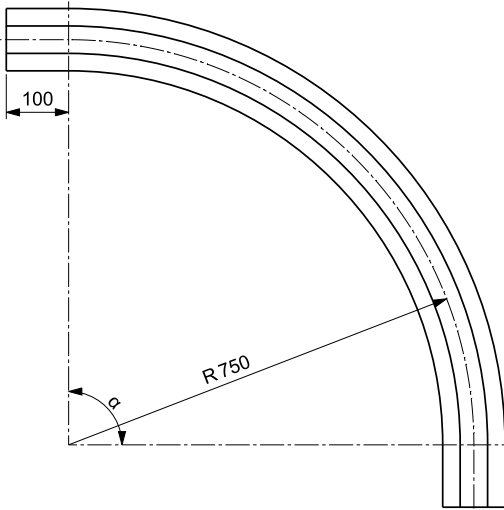
Single track



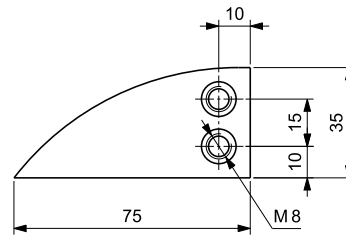
Multi track



Radius



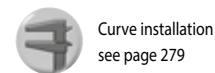
Return guide shoe



On request, Upper part is available in Self-Lubricating UHMWPE & Oil-filled PA.



CURVES	PART NUMBER IDENTIFICATION		
UPPER PART MATERIAL	UHMWPE	High performance Self-lubricating UHMWPE	Oil-filled PA
PART NUMBERS	See table below	Replace "MM" with "MME" Example: 2 tracks, 90° curve angle, P/N: MME02EAY/111	Replace "MM" with "MMP" Example: 2 tracks, 90° curve angle, P/N: MMP02EAY/111



Curve installation see page 279



Curve material see page 278

N. OF TRACKS	TOTAL WIDTH W mm	PART NUMBER					
		Curve angle α					
		15°	30°	45°	60°	75°	90°
1	100	MM01EFY/101	MM01EAY/101	MM01ECY/101	MM01EBY/101	MM01ELY/101	MM01EAY/101
2	185	MM02EFY/111	MM02EAY/111	MM02ECY/111	MM02EBY/111	MM02ELY/111	MM02EAY/111
3	270	MM03EFY/111	MM03EAY/111	MM03ECY/111	MM03EBY/111	MM03ELY/111	MM03EAY/111
4	355	MM04EFY/111	MM04EAY/111	MM04ECY/111	MM04EBY/111	MM04ELY/111	MM04EAY/111
5	440	MM05EFY/111	MM05EAY/111	MM05ECY/111	MM05EBY/111	MM05ELY/111	MM05EAY/111
6	525	MM06EFY/111	MM06EAY/111	MM06ECY/111	MM06EBY/111	MM06ELY/111	MM06EAY/111

NOTE: For custom requests with dimensions different from the standard, please refer to page 318.

VERSION M 05

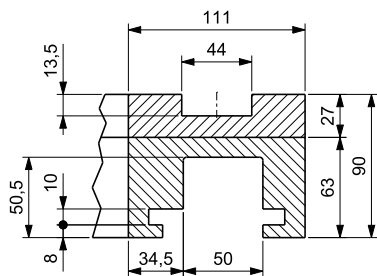
SUITABLE FOR CHAINS:

- 782M K 83,8 (See page 247)
- 783M K 83,8 (See page 247)

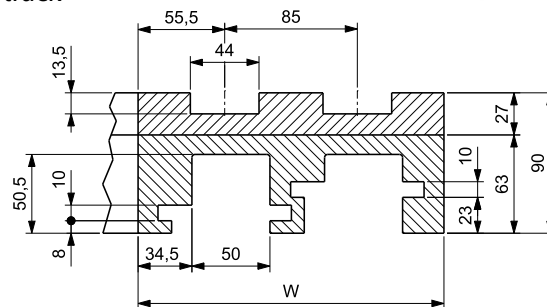
RADIUS mm	BASIC WIDTH mm	TRANSVERSAL PITCH mm	INFEED/ OUTFEED LENGTH mm
750	111	85	100



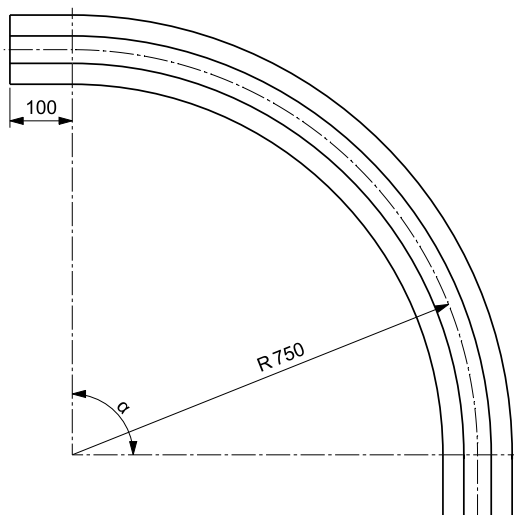
Single track



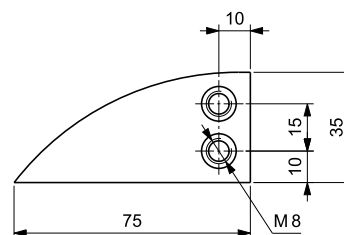
Multi track



Radius



Return guide shoe



On request, Upper part is available in Self-Lubricating UHMWPE & Oil-filled PA.



CURVES	PART NUMBER IDENTIFICATION		
UPPER PART MATERIAL	UHMWPE	High performance Self-lubricating UHMWPE	Oil-filled PA
PART NUMBERS	See table below	Replace "MM" with "MME" Example: 2 tracks, 90° curve angle, P/N: MME02EAY/311	Replace "MM" with "MMP" Example: 2 tracks, 90° curve angle, P/N: MMP02EAY/311



Curve installation see page 279



Curve material see page 278

N. OF TRACKS	TOTAL WIDTH W mm	PART NUMBER					
		Curve angle α					
		15°	30°	45°	60°	75°	90°
1	111	MM01EFY/301	MM01EEY/301	MM01ECY/301	MM01EBY/301	MM01ELY/301	MM01EAY/301
2	196	MM02EFY/311	MM02EEY/311	MM02ECY/311	MM02EBY/311	MM02ELY/311	MM02EAY/311
3	281	MM03EFY/311	MM03EEY/311	MM03ECY/311	MM03EBY/311	MM03ELY/311	MM03EAY/311
4	366	MM04EFY/311	MM04EEY/311	MM04ECY/311	MM04EBY/311	MM04ELY/311	MM04EAY/311
5	451	MM05EFY/311	MM05EEY/311	MM05ECY/311	MM05EBY/311	MM05ELY/311	MM05EAY/311
6	536	MM06EFY/311	MM06EEY/311	MM06ECY/311	MM06EBY/311	MM06ELY/311	MM06EAY/311

NOTE: For custom requests with dimensions different from the standard, please refer to page 318.

VERSION M 06

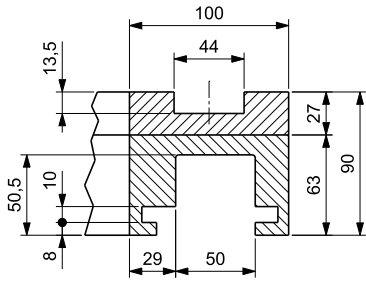
SUITABLE FOR CHAINS:

- 782M K 83,8 (See page 247)
- 783M K 83,8 (See page 247)

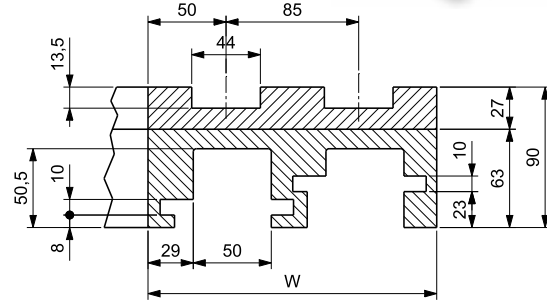
RADIUS	BASIC WIDTH	TRANSVERSAL PITCH	INFEED/OUTFEED LENGTH
mm	mm	mm	mm
1000	100	85	-



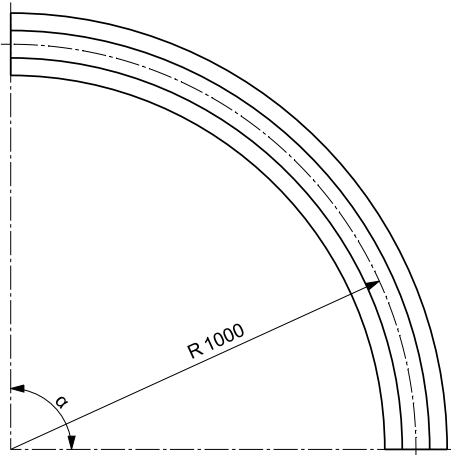
Single track



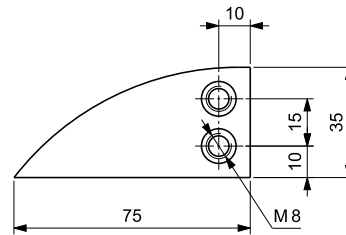
Multi track



Radius



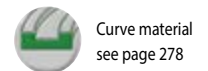
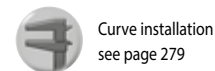
Return guide shoe



On request, Upper part is available in Self-Lubricating UHMWPE & Oil-filled PA.



CURVES	PART NUMBER IDENTIFICATION		
	SUPREME - A	NEW e-SLIDE	SUPREME - S
UPPER PART MATERIAL	UHMWPE	High performance Self-lubricating UHMWPE	Oil-filled PA
PART NUMBERS	See table below	Replace "MM" with "MME" Example: 2 tracks, 90° curve angle, P/N: MME02GAY/110	Replace "MM" with "MMP" Example: 2 tracks, 90° curve angle, P/N: MMP02GAY/110



N. OF TRACKS	TOTAL WIDTH W mm	PART NUMBER					
		Curve angle α					
		15°	30°	45°	60°	75°	90°
1	100	MM01GFY/100	MM01GEY/100	MM01GKY/100	MM01GBY/100	MM01GLY/100	MM01GAY/100
2	185	MM02GFY/110	MM02GEY/110	MM02GKY/110	MM02GBY/110	MM02GLY/110	MM02GAY/110
3	270	MM03GFY/110	MM03GEY/110	MM03GKY/110	MM03GBY/110	MM03GLY/110	MM03GAY/110
4	355	MM04GFY/110	MM04GEY/110	MM04GKY/110	MM04GBY/110	MM04GLY/110	MM04GAY/110

NOTE: For custom requests with dimensions different from the standard, please refer to page 318.

VERSION U 01

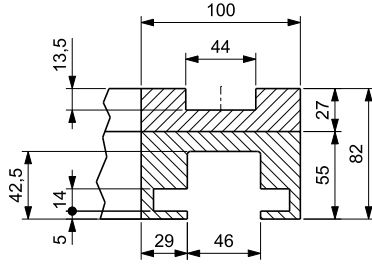
SUITABLE FOR CHAINS:
-793M K 83,8

(See page 249)

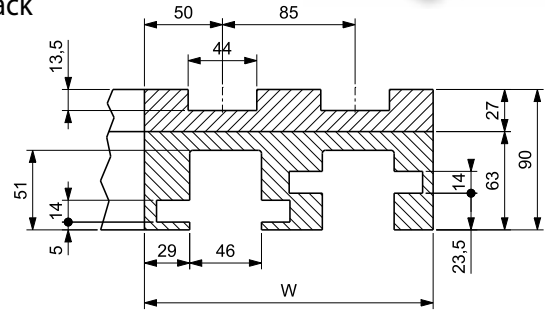
RADIUS mm	BASIC WIDTH mm	TRANSVERSAL PITCH mm	INFEED/ OUTFEED LENGTH mm
500	100	85	-



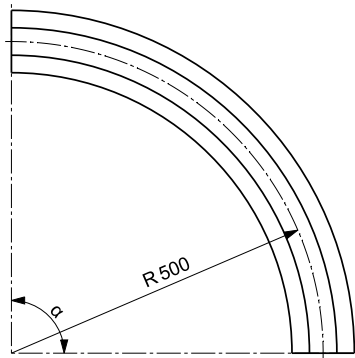
Single track



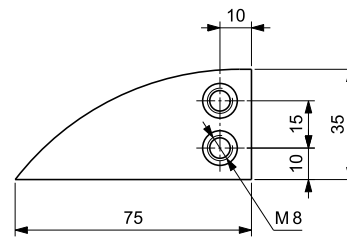
Multi track



Radius



Return guide shoe



On request, Upper part is available in Self-Lubricating UHMWPE & Oil-filled PA.



PART NUMBER IDENTIFICATION			
CURVES	SUPREME -A	NEW e-SLIDE	SUPREME -S
UPPER PART MATERIAL	UHMWPE	High performance Self-lubricating UHMWPE	Oil-filled PA
PART NUMBERS	See table below	Replace "MU" with "MUE" Example: 2 tracks, 90° curve angle, P/N: MUE02AAY/110	Replace "MU" with "MUP" Example: 2 tracks, 90° curve angle, P/N: MUP02AAY/110



Curve installation
see page 279



Curve material
see page 278

N. OF TRACKS	TOTAL WIDTH W mm	PART NUMBER					
		Curve angle α					
		15°	30°	45°	60°	75°	90°
1	100	MU01AFX/100	MU01AEX/100	MU01ACX/100	MU01ABX/100	MU01ALX/100	MU01AAX/100
2	185	MU02AFY/110	MU02AEY/110	MU02ACY/110	MU02ABY/110	MU02ALY/110	MU02AAY/110
3	270	MU03AFY/110	MU03AEY/110	MU03ACY/110	MU03ABY/110	MU03ALY/110	MU03AAY/110
4	355	MU04AFY/110	MU04AEY/110	MU04ACY/110	MU04ABY/110	MU04ALY/110	MU04AAY/110
5	440	MU05AFY/110	MU05AEY/110	MU05ACY/110	MU05ABY/110	MU05ALY/110	MU05AAY/110
6	525	MU06AFY/110	MU06AEY/110	MU06ACY/110	MU06ABY/110	MU06ALY/110	MU06AAY/110

NOTE: For custom requests with dimensions different from the standard, please refer to page 318.

VERSION U 02

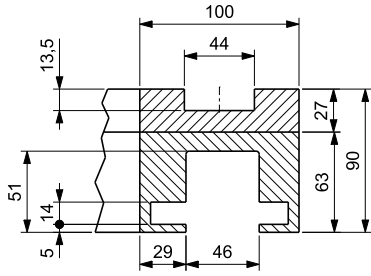
SUITABLE FOR CHAINS:
-793M K 83,8

(See page 249)

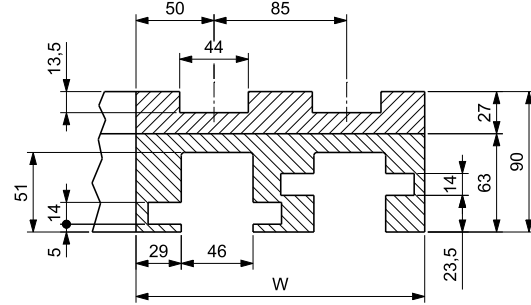
RADIUS mm	BASIC WIDTH mm	TRANSVERSAL PITCH mm	INFEEED/ OUTFEED LENGTH mm
500	100	85	100



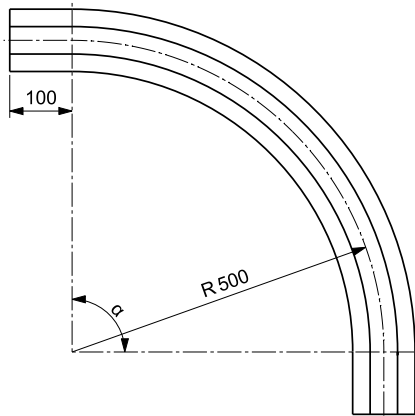
Single track



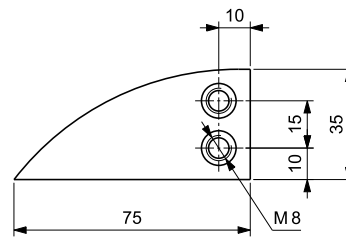
Multi track



Radius



Return guide shoe



On request, Upper part is available in Self-Lubricating UHMWPE & Oil-filled PA.



CURVES	PART NUMBER IDENTIFICATION		
	SUPREME -A	NEW e-SLIDE	SUPREME -S
UPPER PART MATERIAL	UHMWPE	High performance Self-lubricating UHMWPE	Oil-filled PA
PART NUMBERS	See table below	Replace "MU" with "MUE" Example: 2 tracks, 90° curve angle, P/N: MUE02AAY/111	Replace "MU" with "MUP" Example: 2 tracks, 90° curve angle, P/N: MUP02AAY/111



Curve installation see page 279



Curve material see page 278

N. OF TRACKS	TOTAL WIDTH W mm	PART NUMBER					
		Curve angle α					
		15°	30°	45°	60°	75°	90°
1	100	MU01AFY/101	MU01AEY/101	MU01ACY/101	MU01ABY/101	MU01ALY/101	MU01AAY/101
2	185	MU02AFY/111	MU02AEY/111	MU02ACY/111	MU02ABY/111	MU02ALY/111	MU02AAY/111
3	270	MU03AFY/111	MU03AEY/111	MU03ACY/111	MU03ABY/111	MU03ALY/111	MU03AAY/111
4	355	MU04AFY/111	MU04AEY/111	MU04ACY/111	MU04ABY/111	MU04ALY/111	MU04AAY/111
5	440	MU05AFY/111	MU05AEY/111	MU05ACY/111	MU05ABY/111	MU05ALY/111	MU05AAY/111
6	525	MU06AFY/111	MU06AEY/111	MU06ACY/111	MU06ABY/111	MU06ALY/111	MU06AAY/111

NOTE: For custom requests with dimensions different from the standard, please refer to page 318.

VERSION U 03

SUITABLE FOR CHAINS:

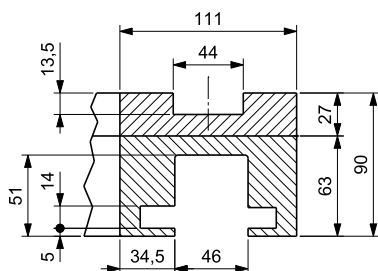
-793M K 83,8

(See page 249)

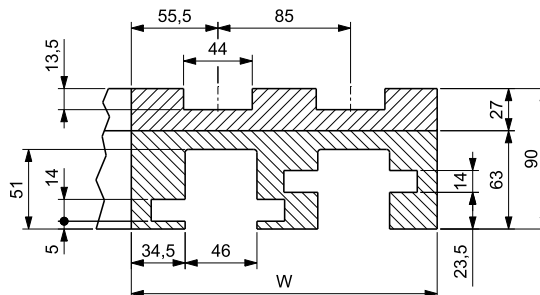
RADIUS mm	BASIC WIDTH mm	TRANSVERSAL PITCH mm	INFEED/ OUTFEED LENGTH mm
500	111	85	100



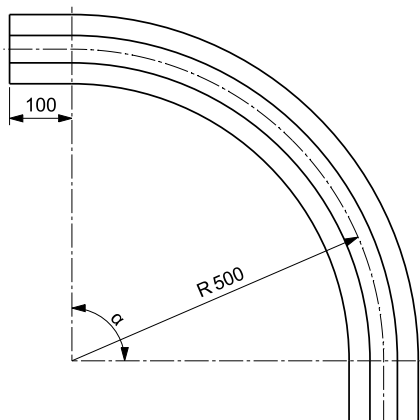
Single track



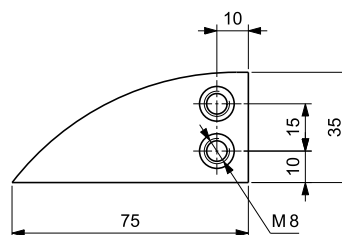
Multi track



Radius



Return guide shoe



On request, Upper part is available in Self-Lubricating UHMWPE & Oil-filled PA.



CURVES	PART NUMBER IDENTIFICATION		
UPPER PART MATERIAL	UHMWPE	High performance Self-lubricating UHMWPE	Oil-filled PA
PART NUMBERS	See table below	Replace "MU" with "MUE" Example: 2 tracks, 90° curve angle, P/N: MUE02AAY/311	Replace "MU" with "MUP" Example: 2 tracks, 90° curve angle, P/N: MUP02AAY/311



Curve installation see page 279



Curve material see page 278

N. OF TRACKS	TOTAL WIDTH W mm	PART NUMBER					
		Curve angle α					
		15°	30°	45°	60°	75°	90°
1	111	MU01AFY/301	MU01AEY/301	MU01ACY/301	MU01ABY/301	MU01ALY/301	MU01AAY/301
2	196	MU02AFY/311	MU02AEY/311	MU02ACY/311	MU02ABY/311	MU02ALY/311	MU02AAY/311
3	281	MU03AFY/311	MU03AEY/311	MU03ACY/311	MU03ABY/311	MU03ALY/311	MU03AAY/311
4	366	MU04AFY/311	MU04AEY/311	MU04ACY/311	MU04ABY/311	MU04ALY/311	MU04AAY/311
5	451	MU05AFY/311	MU05AEY/311	MU05ACY/311	MU05ABY/311	MU05ALY/311	MU05AAY/311
6	536	MU06AFY/311	MU06AEY/311	MU06ACY/311	MU06ABY/311	MU06ALY/311	MU06AAY/311

NOTE: For custom requests with dimensions different from the standard, please refer to page 318.

VERSION U 04

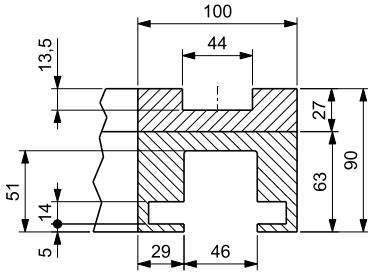
SUITABLE FOR CHAINS:
-793M K 83,8

(See page 249)

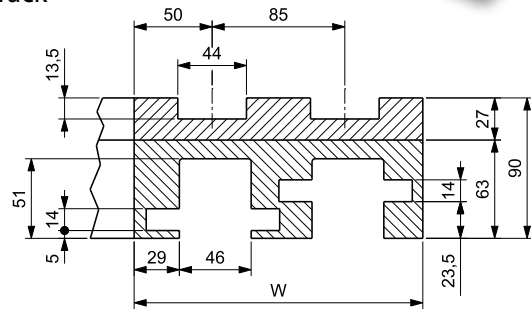
RADIUS mm	BASIC WIDTH mm	TRANSVERSAL PITCH mm	INFEED/ OUTFEED LENGTH mm
750	100	85	100



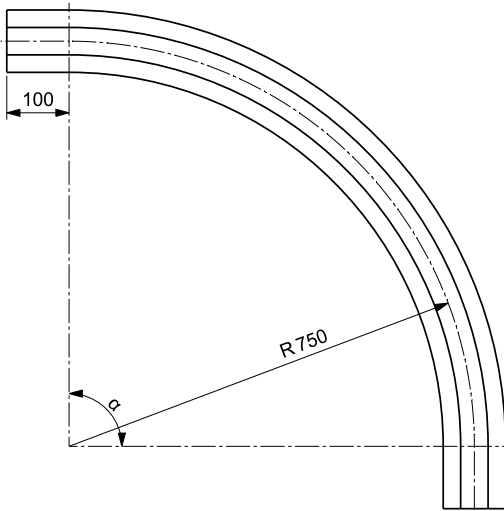
Single track



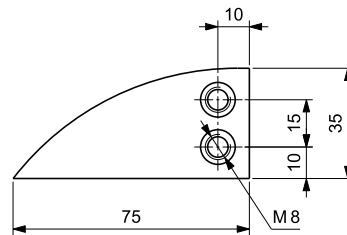
Multi track



Radius



Return guide shoe



On request, Upper part is available in Self-Lubricating UHMWPE & Oil-filled PA.



CURVES	PART NUMBER IDENTIFICATION		
	SUPREME -A	NEW e-SLIDE	SUPREME -S
UPPER PART MATERIAL	UHMWPE	High performance Self-lubricating UHMWPE	Oil-filled PA
PART NUMBERS	See table below	Replace "MU" with "MUE" Example: 2 tracks, 90° curve angle, P/N: MUE02EAY/111	Replace "MU" with "MUP" Example: 2 tracks, 90° curve angle, P/N: MUP02EAY/111



Curve installation see page 279



Curve material see page 278

N. OF TRACKS	TOTAL WIDTH W mm	PART NUMBER					
		Curve angle α					
		15°	30°	45°	60°	75°	90°
1	100	MU01EFY/101	MU01EEY/101	MU01ECY/101	MU01EBY/101	MU01ELY/101	MU01EAY/101
2	185	MU02EFY/111	MU02EEY/111	MU02ECY/111	MU02EBY/111	MU02ELY/111	MU02EAY/111
3	270	MU03EFY/111	MU03EEY/111	MU03ECY/111	MU03EBY/111	MU03ELY/111	MU03EAY/111
4	355	MU04EFY/111	MU04EEY/111	MU04ECY/111	MU04EBY/111	MU04ELY/111	MU04EAY/111
5	440	MU05EFY/111	MU05EEY/111	MU05ECY/111	MU05EBY/111	MU05ELY/111	MU05EAY/111
6	525	MU06EFY/111	MU06EEY/111	MU06ECY/111	MU06EBY/111	MU06ELY/111	MU06EAY/111

NOTE: For custom requests with dimensions different from the standard, please refer to page 318.

VERSION U 05

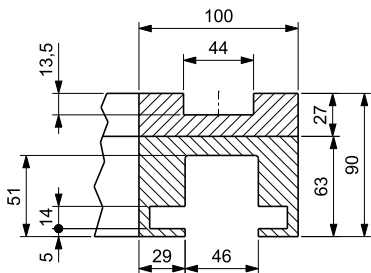
SUITABLE FOR CHAINS:
-793M K 83,8

(See page 249)

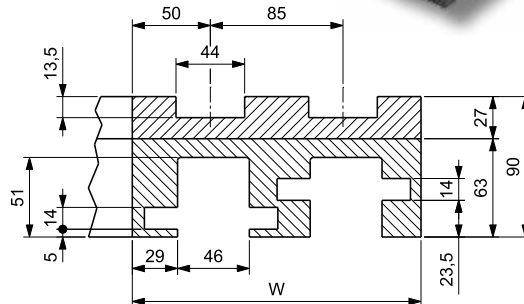
RADIUS mm	BASIC WIDTH mm	TRANSVERSAL PITCH mm	INFEED/ OUTFEED LENGTH mm
1000	100	85	-



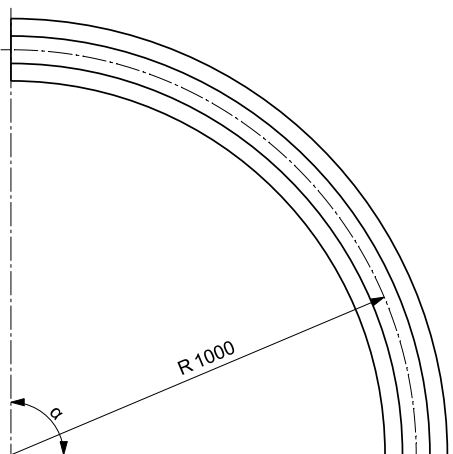
Single track



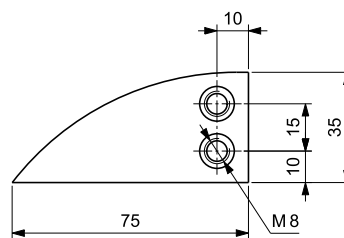
Multi track



Radius



Return guide shoe



On request, Upper part is available in Self-Lubricating UHMWPE & Oil-filled PA.



PART NUMBER IDENTIFICATION			
CURVES			
UPPER PART MATERIAL	UHMWPE	High performance Self-lubricating UHMWPE	Oil-filled PA
PART NUMBERS	See table below	Replace "MU" with "MUE" Example: 2 tracks, 90° curve angle, P/N: MUE02GAY/110	Replace "MU" with "MUD" Example: 2 tracks, 90° curve angle, P/N: MUD02GAY/110



Curve installation see page 279



Curve material see page 278

N. OF TRACKS	TOTAL WIDTH W mm	PART NUMBER					
		Curve angle α					
		15°	30°	45°	60°	75°	90°
1	100	MU01GFY/100	MU01GEY/100	MU01GKY/100	MU01GBY/100	MU01GLY/100	MU01GAY/100
2	185	MU02GFY/110	MU02GEY/110	MU02GKY/110	MU02GBY/110	MU02GLY/110	MU02GAY/110
3	270	MU03GFY/110	MU03GEY/110	MU03GKY/110	MU03GBY/110	MU03GLY/110	MU03GAY/110
4	355	MU04GFY/110	MU04GEY/110	MU04GKY/110	MU04GBY/110	MU04GLY/110	MU04GAY/110

NOTE: For custom requests with dimensions different from the standard, please refer to page 318.

VERSION U 06

SUITABLE FOR CHAINS:

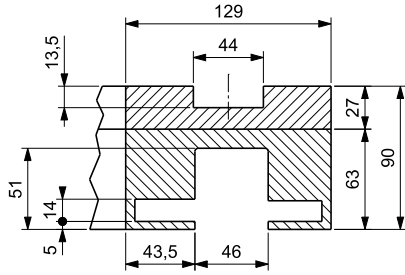
-793M K 4½

(See page 249)

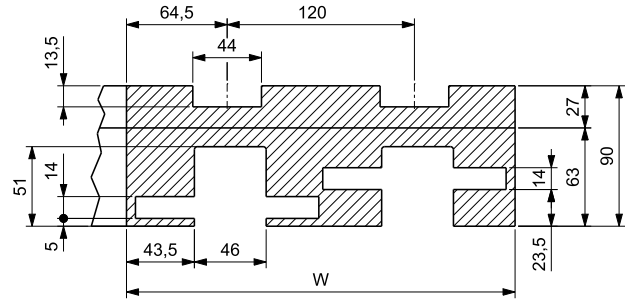
RADIUS mm	BASIC WIDTH mm	TRANSVERSAL PITCH mm	INFEED/ OUTFEED LENGTH mm
500	129	120	125



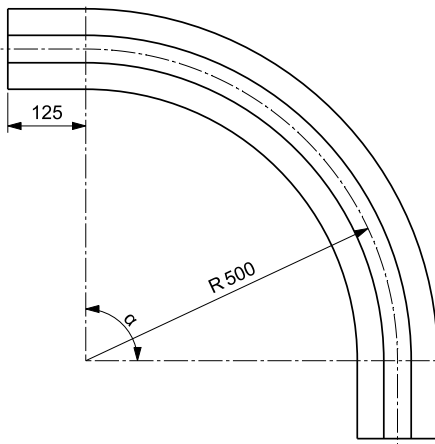
Single track



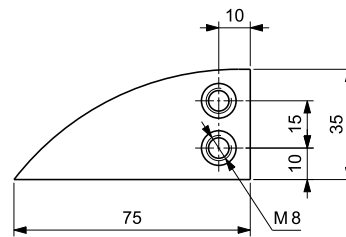
Multi track



Radius



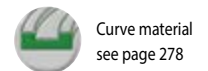
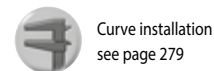
Return guide shoe



On request, Upper part is available in Self-Lubricating UHMWPE & Oil-filled PA.



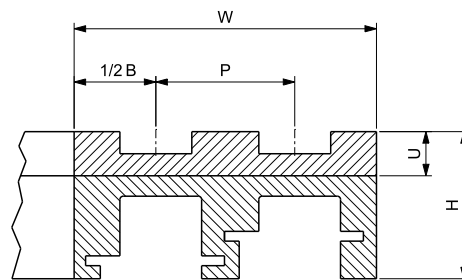
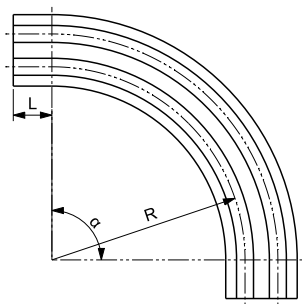
CURVES	PART NUMBER IDENTIFICATION		
UPPER PART MATERIAL	UHMWPE	High performance Self-lubricating UHMWPE	Oil-filled PA
PART NUMBERS	See table below	Replace "MU" with "MUE" Example: 2 tracks, 90° curve angle, P/N: MUE02AAY/442	Replace "MU" with "MUP" Example: 2 tracks, 90° curve angle, P/N: MUP02AAY/442



N. OF TRACKS	TOTAL WIDTH W mm	PART NUMBER					
		Curve angle α					
		15°	30°	45°	60°	75°	90°
1	129	MU01AFY/402	MU01AEY/402	MU01ACY/402	MU01ABY/402	MU01ALY/402	MU01AAY/402
2	249	MU02AFY/442	MU02AEY/442	MU02ACY/442	MU02ABY/442	MU02ALY/442	MU02AAY/442
3	369	MU03AFY/442	MU03AEY/442	MU03ACY/442	MU03ABY/442	MU03ALY/442	MU03AAY/442
4	489	MU04AFY/442	MU04AEY/442	MU04ACY/442	MU04ABY/442	MU04ALY/442	MU04AAY/442

NOTE: For custom requests with dimensions different from the standard, please refer to page 318.

On request, Magnetic curves with dimensions different from the standard can be supplied.
Please fill the form below with the requested parameters and contact REGINA customer service.



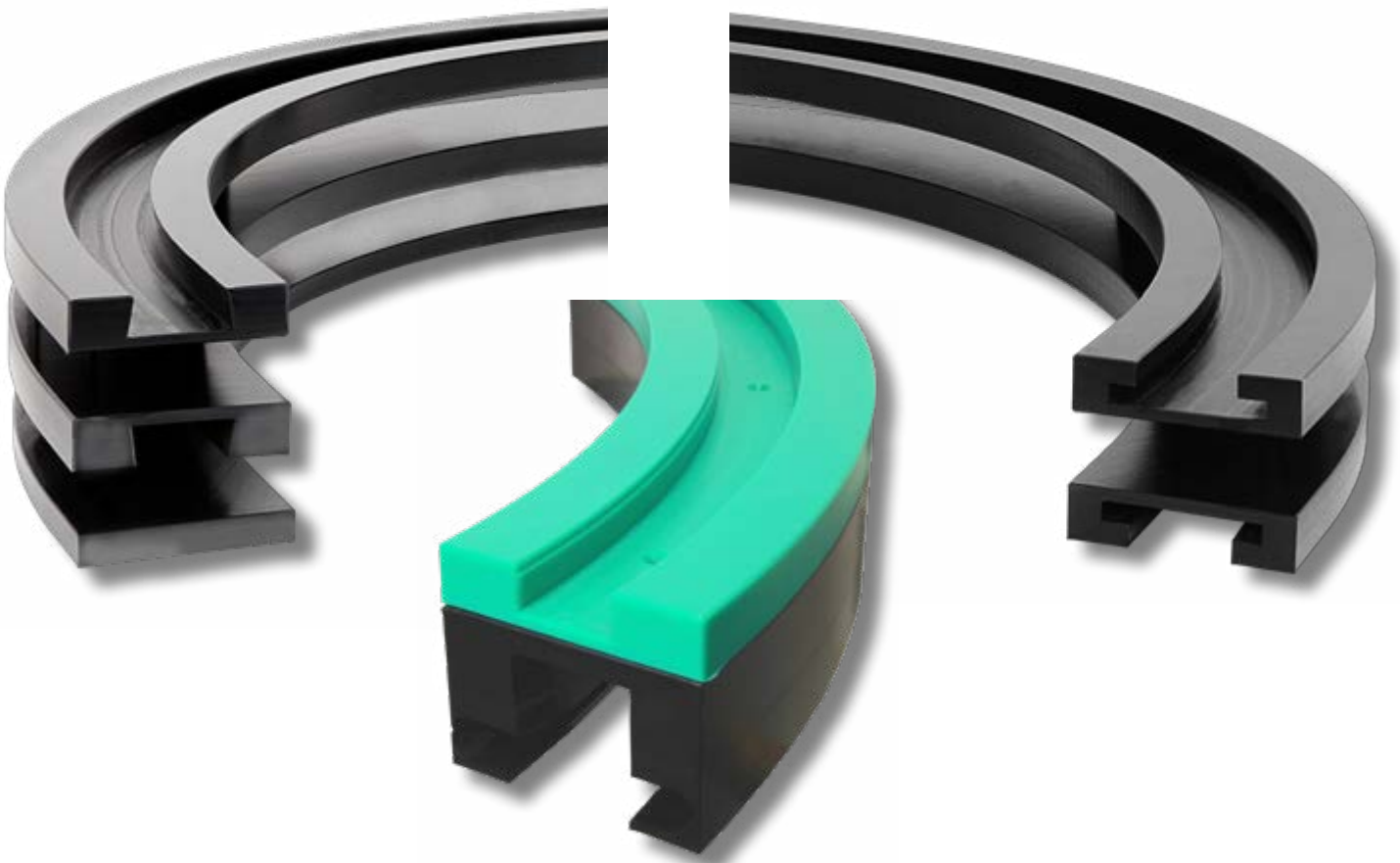
FOR CHAIN SERIES:	REQUESTED CURVE PARAMETERS		
	mm	inch	°
CHAIN WIDTH:			
FIRST RADIUS R:			
CURVE ANGLE α :			
N. OF TRACKS:			
TRANSVERSAL PITCH P:			
BASIC WIDTH B:			
TOTAL WIDTH W:			
INFEEED LENGTH L:			



PERFORMANCE IN MOTION

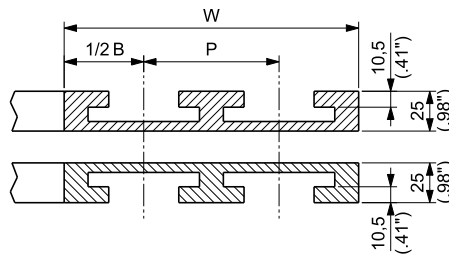
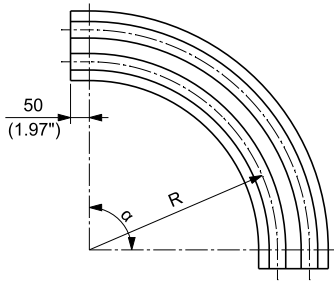
FliteTop® **Matveyor**®

TAB, Bevel and
Low Pin Center Curves



For FliteTop® & Matveyor® SIDEFLEXING CHAINS

TAB curves include both upper and return part.






CHAIN WIDTH	TRANSVERSAL PITCH P		BASIC WIDTH B	
	mm	inch	mm	inch
3 ¼" 83,8 mm	85	3.35	100	3.94
4 ½"	120	4.72	130	5.12
7 ½"	195	7.68	200	7.87

On request, Upper part is available in Self-Lubricating UHMWPE & Oil-filled PA.



Curve material see page 14

CURVES	PART NUMBER IDENTIFICATION		
			
UPPER PART MATERIAL	UHMWPE	High performance Self-lubricating UHMWPE	Oil-filled PA
PART NUMBERS	See table below	Replace "T80" with "T80E" Example: Radius 500 mm, 1 track, 90° curve angle for 880T chain, P/N: T80EKD1A/1000	Replace "T80" with "T80P" Example: Radius 500 mm, 1 track, 90° curve angle for 880T chain, P/N: T80PKD1A/1000

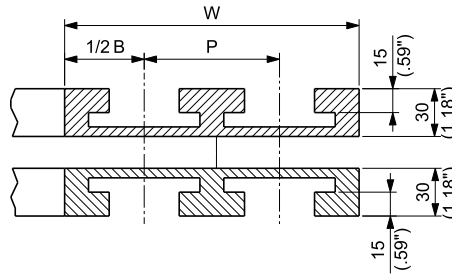
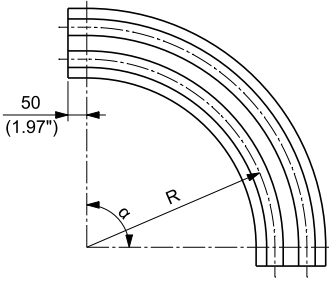
CHAI NTYPE	Series	Width	RADIUS* R		N. OF TRACKS	TOTAL WIDTH W		PART NUMBER					
			mm	inch		mm	inch	Curve angle α					
								15°	30°	45°	60°	75°	90°
	878T 982T	3 ¼"	200	7.874	1	100	3.937	T80KD1D/1F00	T80KD1D/1E00	T80KD1D/1C00	T80KD1D/1B00	T80KD1D/1L00	T80KD1D/1000
PHDG 981T		457,2	18	19.685	1	100	3.937	T80KD10/1F00	T80KD10/1E00	T80KD10/1C00	T80KD10/1B00	T80KD10/1L00	T80KD10/1000
	2				185	7.283	T80KD20/1F00	T80KD20/1E00	T80KD20/1C00	T80KD20/1B00	T80KD20/1L00	T80KD20/1000	
	3				270	10.630	T80KD30/1F00	T80KD30/1E00	T80KD30/1C00	T80KD30/1B00	T80KD30/1L00	T80KD30/1000	
	4				355	13.189	T80KD40/1F00	T80KD40/1E00	T80KD40/1C00	T80KD40/1B00	T80KD40/1L00	T80KD40/1000	
	5				440	15.748	T80KD50/1F00	T80KD50/1E00	T80KD50/1C00	T80KD50/1B00	T80KD50/1L00	T80KD50/1000	
880TA					1	100	3.937	T80KD1A/1F00	T80KD1A/1E00	T80KD1A/1C00	T80KD1A/1B00	T80KD1A/1L00	T80KD1A/1000
HFV 880T		500	19.685	2	185	7.283	T80KD2A/1F00	T80KD2A/1E00	T80KD2A/1C00	T80KD2A/1B00	T80KD2A/1L00	T80KD2A/1000	
	3			270	10.630	T80KD3A/1F00	T80KD3A/1E00	T80KD3A/1C00	T80KD3A/1B00	T80KD3A/1L00	T80KD3A/1000		
	4			355	13.189	T80KD4A/1F00	T80KD4A/1E00	T80KD4A/1C00	T80KD4A/1B00	T80KD4A/1L00	T80KD4A/1000		
	5			440	15.748	T80KD5A/1F00	T80KD5A/1E00	T80KD5A/1C00	T80KD5A/1B00	T80KD5A/1L00	T80KD5A/1000		
880T		3 ¼" 83,8 mm	610	24.016	1	100	3.937	T80KD1C/1F00	T80KD1C/1E00	T80KD1C/1C00	T80KD1C/1B00	T80KD1C/1L00	T80KD1C/1000
879T					2	185	7.283	T80KD2C/1F00	T80KD2C/1E00	T80KD2C/1C00	T80KD2C/1B00	T80KD2C/1L00	T80KD2C/1000
					3	270	10.630	T80KD3C/1F00	T80KD3C/1E00	T80KD3C/1C00	T80KD3C/1B00	T80KD3C/1L00	T80KD3C/1000
					4	355	13.189	T80KD4C/1F00	T80KD4C/1E00	T80KD4C/1C00	T80KD4C/1B00	T80KD4C/1L00	T80KD4C/1000
					5	440	15.748	T80KD5C/1F00	T80KD5C/1E00	T80KD5C/1C00	T80KD5C/1B00	T80KD5C/1L00	T80KD5C/1000
881T					1	100	3.937	T80KD1T/1F00	T80KD1T/1E00	T80KD1T/1C00	T80KD1T/1B00	T80KD1T/1L00	T80KD1T/1000
981T		800	31.496	2	185	7.283	T80KD2T/1F00	T80KD2T/1E00	T80KD2T/1C00	T80KD2T/1B00	T80KD2T/1L00	T80KD2T/1000	
	3			270	10.630	T80KD3T/1F00	T80KD3T/1E00	T80KD3T/1C00	T80KD3T/1B00	T80KD3T/1L00	T80KD3T/1000		
783T		1000	39.370	4	355	13.189	T80KD4T/1F00	T80KD4T/1E00	T80KD4T/1C00	T80KD4T/1B00	T80KD4T/1L00	T80KD4T/1000	
	5			440	15.748	T80KD5T/1F00	T80KD5T/1E00	T80KD5T/1C00	T80KD5T/1B00	T80KD5T/1L00	T80KD5T/1000		
793T		1000	39.370	1	100	3.937	T80KD1G/1F00	T80KD1G/1E00	T80KD1G/1C00	T80KD1G/1B00	T80KD1G/1L00	T80KD1G/1000	
	2			185	7.283	T80KD2G/1F00	T80KD2G/1E00	T80KD2G/1C00	T80KD2G/1B00	T80KD2G/1L00	T80KD2G/1000		
	3			270	10.630	T80KD3G/1F00	T80KD3G/1E00	T80KD3G/1C00	T80KD3G/1B00	T80KD3G/1L00	T80KD3G/1000		
	4			355	13.189	T80KD4G/1F00	T80KD4G/1E00	T80KD4G/1C00	T80KD4G/1B00	T80KD4G/1L00	T80KD4G/1000		
	5			440	15.748	T80KD5G/1F00	T80KD5G/1E00	T80KD5G/1C00	T80KD5G/1B00	T80KD5G/1L00	T80KD5G/1000		
981T 880T		610	24.016	1	130	5.118	T80KG1C/1F00	T80KG1C/1E00	T80KG1C/1C00	T80KG1C/1B00	T80KG1C/1L00	T80KG1C/1000	
HFV 880T				2	250	9.843	T80KG2C/1F00	T80KG2C/1E00	T80KG2C/1C00	T80KG2C/1B00	T80KG2C/1L00	T80KG2C/1000	
879T		4 ½"	800	31.496	1	130	5.118	T80KG1T/1F00	T80KG1T/1E00	T80KG1T/1C00	T80KG1T/1B00	T80KG1T/1L00	T80KG1T/1000
881T					2	250	9.843	T80KG2T/1F00	T80KG2T/1E00	T80KG2T/1C00	T80KG2T/1B00	T80KG2T/1L00	T80KG2T/1000
783T		1000	39.370	1	130	5.118	T80KG1G/1F00	T80KG1G/1E00	T80KG1G/1C00	T80KG1G/1B00	T80KG1G/1L00	T80KG1G/1000	
793T				2	250	9.843	T80KG2G/1F00	T80KG2G/1E00	T80KG2G/1C00	T80KG2G/1B00	T80KG2G/1L00	T80KG2G/1000	
881T		610	24.016	1	200	7.874	T80KL1C/1F00	T80KL1C/1E00	T80KL1C/1C00	T80KL1C/1B00	T80KL1C/1L00	T80KL1C/1000	
	981T				2	395	15.551	T80KL2C/1F00	T80KL2C/1E00	T80KL2C/1C00	T80KL2C/1B00	T80KL2C/1L00	T80KL2C/1000
PHDG 981T		7 ½"	800	31.496	1	200	7.874	T80KL1T/1F00	T80KL1T/1E00	T80KL1T/1C00	T80KL1T/1B00	T80KL1T/1L00	T80KL1T/1000
					2	395	15.551	T80KL2T/1F00	T80KL2T/1E00	T80KL2T/1C00	T80KL2T/1B00	T80KL2T/1L00	T80KL2T/1000
PHDG 981T		1000	39.370	1	200	7.874	T80KL1G/1F00	T80KL1G/1E00	T80KL1G/1C00	T80KL1G/1B00	T80KL1G/1L00	T80KL1G/1000	
				2	395	15.551	T80KL2G/1F00	T80KL2G/1E00	T80KL2G/1C00	T80KL2G/1B00	T80KL2G/1L00	T80KL2G/1000	

* First track is intended.

NOTE: for custom requests with dimensions different from the standard, please refer to page 323.

For FliteTop® SIDEFLEXING CHAINS

TAB curves include both upper and return part.



CHAIN WIDTH	TRANSVERSAL PITCH P		BASIC WIDTH B	
	mm	inch	mm	inch
3 3/4"			110	4.33
4 1/2"			130	5.12
6"	Single track		170	6.69
7 1/2"		200	7.87	
10"		270	10.63	
12"			320	12.60

On request, Upper part is available in Self-Lubricating UHMWPE & Oil-filled PA.



CURVES	PART NUMBER IDENTIFICATION		
	UHMWPE	NEW e-SLIDE	SUPREME-S
UPPER PART MATERIAL	UHMWPE	High performance Self-lubricating UHMWPE	Oil-filled PA
PART NUMBERS	See table below	Replace "T82" with "T82E" Example: Radius 700 mm, 1 track, 90° curve angle for LBP 882T K 3 3/4 chain, P/N: T82EKEA1Z/1000	Replace "T82" with "T82P" Example: Radius 700 mm, 1 track, 90° curve angle for LBP 882T K 3 3/4 chain, P/N: T82PKEA1Z/1000



Curve material see page 14

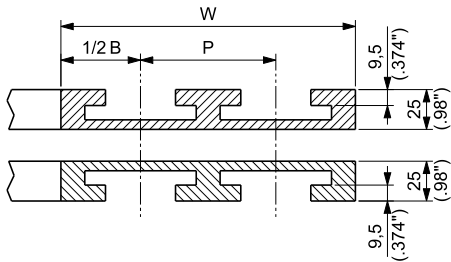
CHAIN TYPE	RADIUS R	N. OF TRACKS	TOTAL WIDTH W		PART NUMBER						
			mm	inch	Curve angle α						
Series	Width	mm	inch	mm	inch	15°	30°	45°	60°	75°	90°
LBP 882T	3 3/4"	700	27.559	110	4.331	T82KEA1Z/1F00	T82KEA1Z/1E00	T82KEA1Z/1C00	T82KEA1Z/1B00	T82KEA1Z/1L00	T82KEA1Z/1000
882T		610	24.016	130	5.118	T82KG1C/1F00	T82KG1C/1E00	T82KG1C/1C00	T82KG1C/1B00	T82KG1C/1L00	T82KG1C/1000
HFX 882T	4 1/2"	800	31.496	130	5.118	T82KG1T/1F00	T82KG1T/1E00	T82KG1T/1C00	T82KG1T/1B00	T82KG1T/1L00	T82KG1T/1000
LBP 882T		1000	39.370	130	5.118	T82KG1G/1F00	T82KG1G/1E00	T82KG1G/1C00	T82KG1G/1B00	T82KG1G/1L00	T82KG1G/1000
882T	6"	610	24.016	170	6.69	T82KH1C/1F00	T82KH1C/1E00	T82KH1C/1C00	T82KH1C/1B00	T82KH1C/1L00	T82KH1C/1000
		800	31.496	170	6.69	T82KH1T/1F00	T82KH1T/1E00	T82KH1T/1C00	T82KH1T/1B00	T82KH1T/1L00	T82KH1T/1000
		1000	39.370	170	6.69	T82KH1G/1F00	T82KH1G/1E00	T82KH1G/1C00	T82KH1G/1B00	T82KH1G/1L00	T82KH1G/1000
882T	7 1/2"	610	24.016	200	7.874	T82KL1C/1F00	T82KL1C/1E00	T82KL1C/1C00	T82KL1C/1B00	T82KL1C/1L00	T82KL1C/1000
		800	31.496	200	7.874	T82KL1T/1F00	T82KL1T/1E00	T82KL1T/1C00	T82KL1T/1B00	T82KL1T/1L00	T82KL1T/1000
		1000	39.370	200	7.874	T82KL1G/1F00	T82KL1G/1E00	T82KL1G/1C00	T82KL1G/1B00	T82KL1G/1L00	T82KL1G/1000
882T	10"	610	24.016	270	10.630	T82KM1C/1F00	T82KM1C/1E00	T82KM1C/1C00	T82KM1C/1B00	T82KM1C/1L00	T82KM1C/1000
		800	31.496	270	10.630	T82KM1T/1F00	T82KM1T/1E00	T82KM1T/1C00	T82KM1T/1B00	T82KM1T/1L00	T82KM1T/1000
		1000	39.370	270	10.630	T82KM1G/1F00	T82KM1G/1E00	T82KM1G/1C00	T82KM1G/1B00	T82KM1G/1L00	T82KM1G/1000
882T	12"	610	24.016	320	12.598	T82KN1C/1F00	T82KN1C/1E00	T82KN1C/1C00	T82KN1C/1B00	T82KN1C/1L00	T82KN1C/1000
		800	31.496	320	12.598	T82KN1T/1F00	T82KN1T/1E00	T82KN1T/1C00	T82KN1T/1B00	T82KN1T/1L00	T82KN1T/1000
		1000	39.370	320	12.598	T82KN1G/1F00	T82KN1G/1E00	T82KN1G/1C00	T82KN1G/1B00	T82KN1G/1L00	T82KN1G/1000

NOTE: for custom requests with dimensions different from the standard, please refer to page 323.

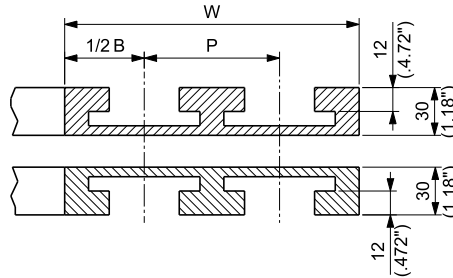
For FliteTop® SIDEFLEXING CHAINS

TAB curves include both upper and return part.

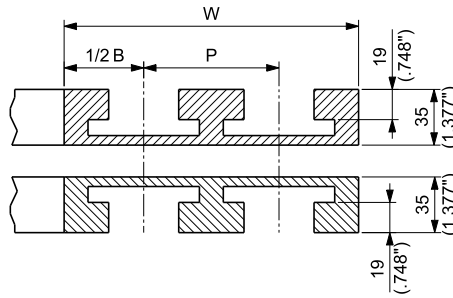
FOR 1843T CHAIN



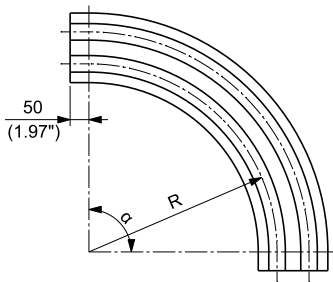
FOR 1701T CHAIN



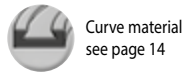
FOR ALL OTHER CHAINS



CHAIN WIDTH	TRANSVERSAL PITCH P		BASIC WIDTH B	
	mm	inch	mm	inch
1 1/4"			50	1.97
53mm			100	3.94
2 1/4"			75	2.95
3 1/4"			100	3.94
4 1/2"		Single track	130	5.12
6"			170	6.69
7 1/2"			200	7.87
10"			270	10.63
12"			320	12.60
16"			420	16.54



On request, Upper part is available in Self-Lubricating UHMWPE & Oil-filled PA.



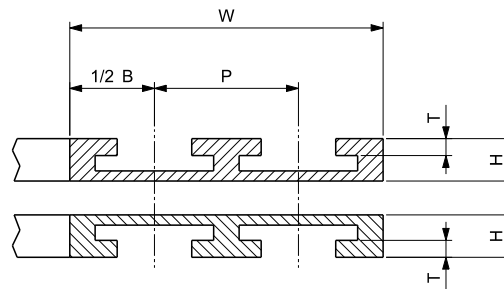
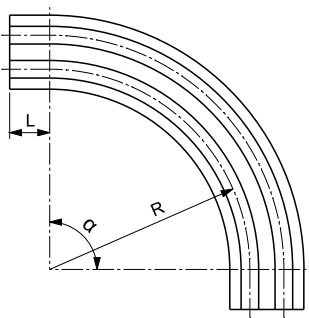
PART NUMBER IDENTIFICATION

CURVES	UHMWPE	NEW e-SLIDE	SUPREME-S
UPPER PART MATERIAL	UHMWPE	High performance Self-lubricating UHMWPE	Oil-filled PA
PART NUMBERS	See table below	Replace "T73" with "T73E" Replace "T43" with "T43E" Replace "T17" with "T17E" Example: Radius 500 mm, 1 track, 90° curve angle for 1863T K 2 1/4" chain, P/N: T73EKS1A/1000	Replace "T73" with "T73P" Replace "T43" with "T43P" Replace "T17" with "T17P" Example: Radius 500 mm, 1 track, 90° curve angle for 1863T K 2 1/4" chain, P/N: T73PKS1A/1000

CHAIN TYPE	RADIUS R		N. OF TRACKS	TOTAL WIDTH W		PART NUMBER						
	Series	Width		mm	inch	Curve angle α						
				mm	inch	15°	30°	45°	60°	75°	90°	
1863T	2 1/4"	500	19.685	1	75	2.95	T73KS1A/1F00	T73KS1A/1E00	T73KS1A/1C00	T73KS1A/1B00	T73KS1A/1L00	T73KS1A/1000
1874T	3 1/4"	500	19.685	1	100	3.94	T73KD1A/1F00	T73KD1A/1E00	T73KD1A/1C00	T73KD1A/1B00	T73KD1A/1L00	T73KD1A/1000
1863T		610	24.016	1	100	3.94	T73KD1C/1F00	T73KD1C/1E00	T73KD1C/1C00	T73KD1C/1B00	T73KD1C/1L00	T73KD1C/1000
1873T		800	31.496	1	100	3.94	T73KD1T/1F00	T73KD1T/1E00	T73KD1T/1C00	T73KD1T/1B00	T73KD1T/1L00	T73KD1T/1000
HFX 1873T	4 1/2"	1000	39.370	1	100	3.94	T73KD1G/1F00	T73KD1G/1E00	T73KD1G/1C00	T73KD1G/1B00	T73KD1G/1L00	T73KD1G/1000
1874T		610	24.016	1	130	5.12	T73KG1C/1F00	T73KG1C/1E00	T73KG1C/1C00	T73KG1C/1B00	T73KG1C/1L00	T73KG1C/1000
1863T		800	31.496	1	130	5.12	T73KG1T/1F00	T73KG1T/1E00	T73KG1T/1C00	T73KG1T/1B00	T73KG1T/1L00	T73KG1T/1000
1873T		1000	39.370	1	130	5.12	T73KG1G/1F00	T73KG1G/1E00	T73KG1G/1C00	T73KG1G/1B00	T73KG1G/1L00	T73KG1G/1000
HFX 1873T	6"	500	19.685	1	170	6.69	T73KH1A/1F00	T73KH1A/1E00	T73KH1A/1C00	T73KH1A/1B00	T73KH1A/1L00	T73KH1A/1000
1874T		610	24.016	1	200	7.87	T73KL1C/1F00	T73KL1C/1E00	T73KL1C/1C00	T73KL1C/1B00	T73KL1C/1L00	T73KL1C/1000
1863T		800	31.496	1	200	7.87	T73KL1T/1F00	T73KL1T/1E00	T73KL1T/1C00	T73KL1T/1B00	T73KL1T/1L00	T73KL1T/1000
1873T	7 1/2"	800	31.496	1	200	7.87	T73KL1G/1F00	T73KL1G/1E00	T73KL1G/1C00	T73KL1G/1B00	T73KL1G/1L00	T73KL1G/1000
HFX 1873T		1000	39.370	1	200	7.87	T73KL1G/1F00	T73KL1G/1E00	T73KL1G/1C00	T73KL1G/1B00	T73KL1G/1L00	T73KL1G/1000
1873T	10"	610	24.016	1	270	10.63	T73KM1C/1F00	T73KM1C/1E00	T73KM1C/1C00	T73KM1C/1B00	T73KM1C/1L00	T73KM1C/1000
HFX 1873T		800	31.496	1	270	10.63	T73KM1T/1F00	T73KM1T/1E00	T73KM1T/1C00	T73KM1T/1B00	T73KM1T/1L00	T73KM1T/1000
1873T		1000	39.370	1	270	10.63	T73KM1G/1F00	T73KM1G/1E00	T73KM1G/1C00	T73KM1G/1B00	T73KM1G/1L00	T73KM1G/1000
1863T	12"	610	24.016	1	320	12.60	T73KN1C/1F00	T73KN1C/1E00	T73KN1C/1C00	T73KN1C/1B00	T73KN1C/1L00	T73KN1C/1000
1873T		800	31.496	1	320	12.60	T73KN1T/1F00	T73KN1T/1E00	T73KN1T/1C00	T73KN1T/1B00	T73KN1T/1L00	T73KN1T/1000
HFX 1873T		1000	39.370	1	320	12.60	T73KN1G/1F00	T73KN1G/1E00	T73KN1G/1C00	T73KN1G/1B00	T73KN1G/1L00	T73KN1G/1000
1863T	16"	800	31.496	1	420	16.54	T73KJ1T/1F00	T73KJ1T/1E00	T73KJ1T/1C00	T73KJ1T/1B00	T73KJ1T/1L00	T73KJ1T/1000
1863T		1000	39.370	1	420	16.54	T73KJ1G/1F00	T73KJ1G/1E00	T73KJ1G/1C00	T73KJ1G/1B00	T73KJ1G/1L00	T73KJ1G/1000
1843T	1 1/4"	300	11.811	1	50	1.97	T43KPA1Y/1F00	T43KPA1Y/1E00	T43KPA1Y/1C00	T43KPA1Y/1B00	T43KPA1Y/1L00	T43KPA1Y/1000
1843T		500	19.685	1	50	1.97	T43KPA1A/1F00	T43KPA1A/1E00	T43KPA1A/1C00	T43KPA1A/1B00	T43KPA1A/1L00	T43KPA1A/1000
1701T	53mm	250	9.843	1	100	3.94	T17KD1V/1F00	T17KD1V/1E00	T17KD1V/1C00	T17KD1V/1B00	T17KD1V/1L00	T17KD1V/1000
1701T		500	19.685	1	100	3.94	T17KD1A/1F00	T17KD1A/1E00	T17KD1A/1C00	T17KD1A/1B00	T17KD1A/1L00	T17KD1A/1000

NOTE: for custom requests with dimensions different from the standard, please refer to page 323.

On request, TAB curves with dimensions different from the standard can be supplied.
Please fill the form below with the requested parameters and contact REGINA customer service.

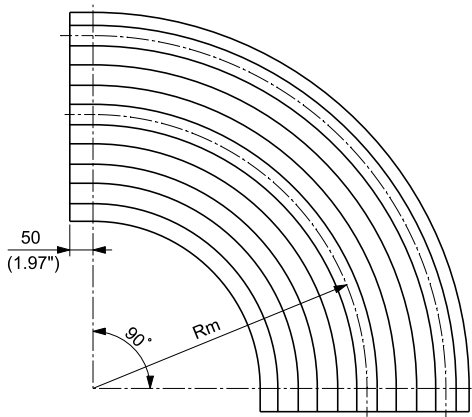
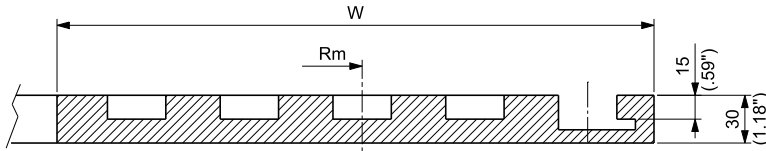



FOR CHAIN SERIES:	REQUESTED CURVE PARAMETERS		
	mm	inch	°
CHAIN WIDTH:			
FIRST RADIUS R:			
CURVE ANGLE α :			
N. OF TRACKS:			
TRANSVERSAL PITCH P:			
BASIC WIDTH B:			
TOTAL WIDTH W:			
INFEED LENGTH L:			

For Matveyor® SIDEFLEXING BELTS

TAB curves for sideflexing belts include upper part only.

For more information on how to support the sideflexing belts in the return part, please contact REGINA application engineers.



The curves are manufactured in  material

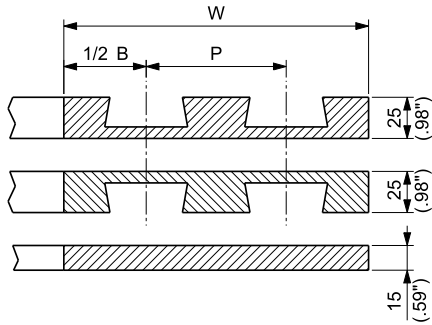
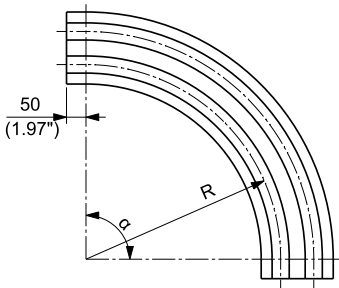


Curve material
see page 14

BELT TYPE	BELT WIDTH		MEDIUM RADIUS Rm		CURVE WIDTH W		PART NUMBER	
	mm	inch	mm	inch	mm	inch		
2556HTB	Series							
		255	10.039	600	23.622	281	11.063	T55HK0281/B10
		340	13.386	800	31.496	366	14.409	T55HK0366/C10
		425	16.732	1000	39.370	451	17.756	T55HK0451/D10
		510	20.079	1200	47.224	536	21.102	T55HK0536/E10
		595	23.425	1400	55.118	621	24.449	T55HK0621/F10
		680	26.772	1600	62.992	706	27.795	T55HK0706/G10
		765	30.118	1800	70.866	791	31.142	T55HK0791/H10
2556HTB-SR		850	33.465	2000	78.740	876	34.488	T55HK0876/J10
		340	13.386	500	19.685	366	14.409	T55HK0366/A10
		425	16.732	600	23.622	451	17.756	T55HK0451/B10
		510	20.079	800	31.496	536	21.102	T55HK0536/C10
		595	23.425	1000	39.370	621	24.449	T55HK0621/D10
		680	26.772	1200	47.224	706	27.795	T55HK0706/E10
		765	30.118	1400	55.118	791	31.142	T55HK0791/F10
		850	33.465	1600	62.992	876	34.488	T55HK0876/G10

For FliteTop® SIDEFLEXING CHAINS

Bevel curves include 3 parts: upper, return and support plate.



CHAIN WIDTH	TRANSVERSAL PITCH P		BASIC WIDTH B	
	mm	inch	mm	inch
3 1/4" 83,8 mm	85	3.35	100	3.94
4 1/2"	120	4.72	130	5.12
7 1/2"	195	7.68	200	7.87

On request, Upper part is available in Self-Lubricating UHMWPE & Oil-filled PA.



Curve material see page 14

CURVES	PART NUMBER IDENTIFICATION		
	UHMWPE	NEW e-SLIDE	SUPREME -S
UPPER PART MATERIAL	UHMWPE	High performance Self-lubricating UHMWPE	Oil-filled PA
PART NUMBERS	See table below	Replace "B80" with "B80E" Example: Radius 500 mm, 1 track, 90° curve angle for 880 K 3 1/4 chain, P/N: B80EKD1A/1000	Replace "B80" with "B80P" Example: Radius 500 mm, 1 track, 90° curve angle for 880 K 3 1/4 chain, P/N: B80PKD1A/1000

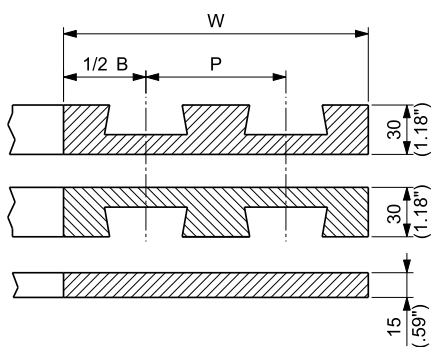
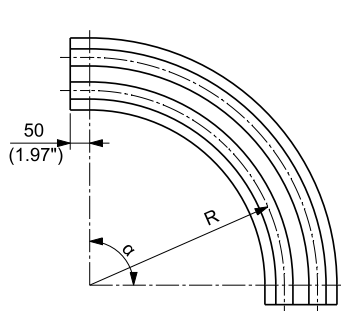
CHAIN TYPE	RADIUS* R	N. OF TRACKS	TOTAL WIDTH W		PART NUMBER													
			mm	inch	Curve angle α													
Series	Width		mm	inch	15°	30°	45°	60°	75°	90°								
880	3 1/4" 83.8 mm	18	457,2	1	100	3.937	B80KD10/1F00	B80KD10/1E00	B80KD10/1C00	B80KD10/1B00	B80KD10/1L00	B80KD10/1000						
				2	185	7.283	B80KD20/1F00	B80KD20/1E00	B80KD20/1C00	B80KD20/1B00	B80KD20/1L00	B80KD20/1000						
				3	270	10.630	B80KD30/1F00	B80KD30/1E00	B80KD30/1C00	B80KD30/1B00	B80KD30/1L00	B80KD30/1000						
				4	355	13.189	B80KD40/1F00	B80KD40/1E00	B80KD40/1C00	B80KD40/1B00	B80KD40/1L00	B80KD40/1000						
				5	440	15.748	B80KD50/1F00	B80KD50/1E00	B80KD50/1C00	B80KD50/1B00	B80KD50/1L00	B80KD50/1000						
	500	19.685			1	100	3.937	B80KD1A/1F00	B80KD1A/1E00	B80KD1A/1C00	B80KD1A/1B00	B80KD1A/1L00	B80KD1A/1000					
					2	185	7.283	B80KD2A/1F00	B80KD2A/1E00	B80KD2A/1C00	B80KD2A/1B00	B80KD2A/1L00	B80KD2A/1000					
					3	270	10.630	B80KD3A/1F00	B80KD3A/1E00	B80KD3A/1C00	B80KD3A/1B00	B80KD3A/1L00	B80KD3A/1000					
					4	355	13.189	B80KD4A/1F00	B80KD4A/1E00	B80KD4A/1C00	B80KD4A/1B00	B80KD4A/1L00	B80KD4A/1000					
					5	440	15.748	B80KD5A/1F00	B80KD5A/1E00	B80KD5A/1C00	B80KD5A/1B00	B80KD5A/1L00	B80KD5A/1000					
	610	24.016			1	100	3.937	B80KD1C/1F00	B80KD1C/1E00	B80KD1C/1C00	B80KD1C/1B00	B80KD1C/1L00	B80KD1C/1000					
					2	185	7.283	B80KD2C/1F00	B80KD2C/1E00	B80KD2C/1C00	B80KD2C/1B00	B80KD2C/1L00	B80KD2C/1000					
					3	270	10.630	B80KD3C/1F00	B80KD3C/1E00	B80KD3C/1C00	B80KD3C/1B00	B80KD3C/1L00	B80KD3C/1000					
					4	355	13.189	B80KD4C/1F00	B80KD4C/1E00	B80KD4C/1C00	B80KD4C/1B00	B80KD4C/1L00	B80KD4C/1000					
					5	440	15.748	B80KD5C/1F00	B80KD5C/1E00	B80KD5C/1C00	B80KD5C/1B00	B80KD5C/1L00	B80KD5C/1000					
	800	31.496			1	100	3.937	B80KD1T/1F00	B80KD1T/1E00	B80KD1T/1C00	B80KD1T/1B00	B80KD1T/1L00	B80KD1T/1000					
					2	185	7.283	B80KD2T/1F00	B80KD2T/1E00	B80KD2T/1C00	B80KD2T/1B00	B80KD2T/1L00	B80KD2T/1000					
					3	270	10.630	B80KD3T/1F00	B80KD3T/1E00	B80KD3T/1C00	B80KD3T/1B00	B80KD3T/1L00	B80KD3T/1000					
					4	355	13.189	B80KD4T/1F00	B80KD4T/1E00	B80KD4T/1C00	B80KD4T/1B00	B80KD4T/1L00	B80KD4T/1000					
					5	440	15.748	B80KD5T/1F00	B80KD5T/1E00	B80KD5T/1C00	B80KD5T/1B00	B80KD5T/1L00	B80KD5T/1000					
6					525	20.669	B80KD6T/1F00	B80KD6T/1E00	B80KD6T/1C00	B80KD6T/1B00	B80KD6T/1L00	B80KD6T/1000						
1000	39.370			1	100	3.937	B80KD1G/1F00	B80KD1G/1E00	B80KD1G/1C00	B80KD1G/1B00	B80KD1G/1L00	B80KD1G/1000						
				2	185	7.283	B80KD2G/1F00	B80KD2G/1E00	B80KD2G/1C00	B80KD2G/1B00	B80KD2G/1L00	B80KD2G/1000						
				3	270	10.630	B80KD3G/1F00	B80KD3G/1E00	B80KD3G/1C00	B80KD3G/1B00	B80KD3G/1L00	B80KD3G/1000						
				4	355	13.189	B80KD4G/1F00	B80KD4G/1E00	B80KD4G/1C00	B80KD4G/1B00	B80KD4G/1L00	B80KD4G/1000						
				5	440	15.748	B80KD5G/1F00	B80KD5G/1E00	B80KD5G/1C00	B80KD5G/1B00	B80KD5G/1L00	B80KD5G/1000						
880	4 1/2"			1	130	5.118	B80KG1C/1F00	B80KG1C/1E00	B80KG1C/1C00	B80KG1C/1B00	B80KG1C/1L00	B80KG1C/1000						
				2	250	9.843	B80KG2C/1F00	B80KG2C/1E00	B80KG2C/1C00	B80KG2C/1B00	B80KG2C/1L00	B80KG2C/1000						
				1	130	5.118	B80KG1T/1F00	B80KG1T/1E00	B80KG1T/1C00	B80KG1T/1B00	B80KG1T/1L00	B80KG1T/1000						
				2	250	9.843	B80KG2T/1F00	B80KG2T/1E00	B80KG2T/1C00	B80KG2T/1B00	B80KG2T/1L00	B80KG2T/1000						
881	800	31.496		1	130	5.118	B80KG1G/1F00	B80KG1G/1E00	B80KG1G/1C00	B80KG1G/1B00	B80KG1G/1L00	B80KG1G/1000						
				2	250	9.843	B80KG2G/1F00	B80KG2G/1E00	B80KG2G/1C00	B80KG2G/1B00	B80KG2G/1L00	B80KG2G/1000						
981	1000	39.370		1	130	5.118	B80KG1G/1F00	B80KG1G/1E00	B80KG1G/1C00	B80KG1G/1B00	B80KG1G/1L00	B80KG1G/1000						
				2	250	9.843	B80KG2G/1F00	B80KG2G/1E00	B80KG2G/1C00	B80KG2G/1B00	B80KG2G/1L00	B80KG2G/1000						
881	7 1/2"			1	200	7.874	B80KL1C/1F00	B80KL1C/1E00	B80KL1C/1C00	B80KL1C/1B00	B80KL1C/1L00	B80KL1C/1000						
				2	395	15.551	B80KL2C/1F00	B80KL2C/1E00	B80KL2C/1C00	B80KL2C/1B00	B80KL2C/1L00	B80KL2C/1000						
				1	200	7.874	B80KL1T/1F00	B80KL1T/1E00	B80KL1T/1C00	B80KL1T/1B00	B80KL1T/1L00	B80KL1T/1000						
				2	395	15.551	B80KL2T/1F00	B80KL2T/1E00	B80KL2T/1C00	B80KL2T/1B00	B80KL2T/1L00	B80KL2T/1000						
				1	200	7.874	B80KL1G/1F00	B80KL1G/1E00	B80KL1G/1C00	B80KL1G/1B00	B80KL1G/1L00	B80KL1G/1000						
				2	395	15.551	B80KL2G/1F00	B80KL2G/1E00	B80KL2G/1C00	B80KL2G/1B00	B80KL2G/1L00	B80KL2G/1000						

* First track is intended.

NOTE: for custom requests with dimensions different from the standard, please refer to page 327.

For FliteTop® SIDEFLEXING CHAINS

Bevel curves include 3 parts: upper, return and support plate.



CHAIN WIDTH	TRANSVERSAL PITCH P		BASIC WIDTH B	
	mm	inch	mm	inch
4 1/2"			130	5.12
7 1/2"		Single track	200	7.87
10"			270	10.63
12"			320	12.60

On request, Upper part is available in Self-Lubricating UHMWPE & Oil-filled PA.



CURVES	PART NUMBER IDENTIFICATION		
UPPER PART MATERIAL	UHMWPE	High performance Self-lubricating UHMWPE	Oil-filled PA
PART NUMBERS	See table below	Replace "B82" with "B82E" Example: Radius 610 mm, 1 tracks, 90° curve angle for 882 K 4 1/2 chain, P/N: B82EKG1C/1000	Replace "B82" with "B82P" Example: Radius 610 mm, 1 tracks, 90° curve angle for 882 K 4 1/2 chain, P/N: B82PKG1C/1000

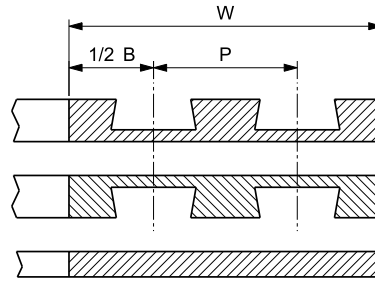
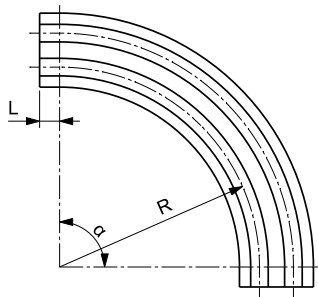


Curve material see page 14

CHAIN TYPE		RADIUS R		N. OF TRACKS	TOTAL WIDTH W		PART NUMBER						
Series	Width	mm	inch		mm	inch	Curve angle alpha						
						15°	30°	45°	60°	75°	90°		
882	4 1/2"	610	24.016	1	130	5.118	B82KG1C/1F00	B82KG1C/1E00	B82KG1C/1C00	B82KG1C/1B00	B82KG1C/1L00	B82KG1C/1000	
		800	31.496	1	130	5.118	B82KG1T/1F00	B82KG1T/1E00	B82KG1T/1C00	B82KG1T/1B00	B82KG1T/1L00	B82KG1T/1000	
		1000	39.370	1	130	5.118	B82KG1G/1F00	B82KG1G/1E00	B82KG1G/1C00	B82KG1G/1B00	B82KG1G/1L00	B82KG1G/1000	
	7 1/2"	610	24.016	1	200	7.874	B82KL1C/1F00	B82KL1C/1E00	B82KL1C/1C00	B82KL1C/1B00	B82KL1C/1L00	B82KL1C/1000	
		800	31.496	1	200	7.874	B82KL1T/1F00	B82KL1T/1E00	B82KL1T/1C00	B82KL1T/1B00	B82KL1T/1L00	B82KL1T/1000	
		1000	39.370	1	200	7.874	B82KL1G/1F00	B82KL1G/1E00	B82KL1G/1C00	B82KL1G/1B00	B82KL1G/1L00	B82KL1G/1000	
	10"	610	24.016	1	270	10.630	B82KM1C/1F00	B82KM1C/1E00	B82KM1C/1C00	B82KM1C/1B00	B82KM1C/1L00	B82KM1C/1000	
		800	31.496	1	270	10.630	B82KM1T/1F00	B82KM1T/1E00	B82KM1T/1C00	B82KM1T/1B00	B82KM1T/1L00	B82KM1T/1000	
		1000	39.370	1	270	10.630	B82KM1G/1F00	B82KM1G/1E00	B82KM1G/1C00	B82KM1G/1B00	B82KM1G/1L00	B82KM1G/1000	
	12"	610	24.016	1	320	12.598	B82KN1C/1F00	B82KN1C/1E00	B82KN1C/1C00	B82KN1C/1B00	B82KN1C/1L00	B82KN1C/1000	
		800	31.496	1	320	12.598	B82KN1T/1F00	B82KN1T/1E00	B82KN1T/1C00	B82KN1T/1B00	B82KN1T/1L00	B82KN1T/1000	
		1000	39.370	1	320	12.598	B82KN1G/1F00	B82KN1G/1E00	B82KN1G/1C00	B82KN1G/1B00	B82KN1G/1L00	B82KN1G/1000	

NOTE: for custom requests with dimensions different from the standard, please refer to page 327.

On request, BEVEL curves with dimensions different from the standard can be supplied.
Please fill the form below with the requested parameters and contact REGINA customer service.

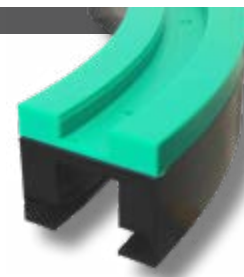


FOR CHAIN SERIES:	REQUESTED CURVE PARAMETERS		
	mm	inch	°
CHAIN WIDTH:			
FIRST RADIUS R:			
CURVE ANGLE α :			
N. OF TRACKS:			
TRANSVERSAL PITCH P:			
BASIC WIDTH B:			
TOTAL WIDTH W:			
INFEED LENGTH L:			

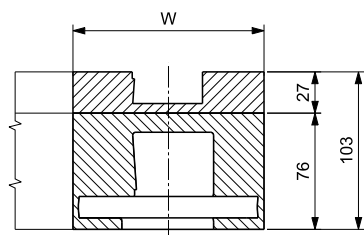
For Matveyor® SIDEFLEXING CHAINS

Low Pin Center curves include both upper and return parts.

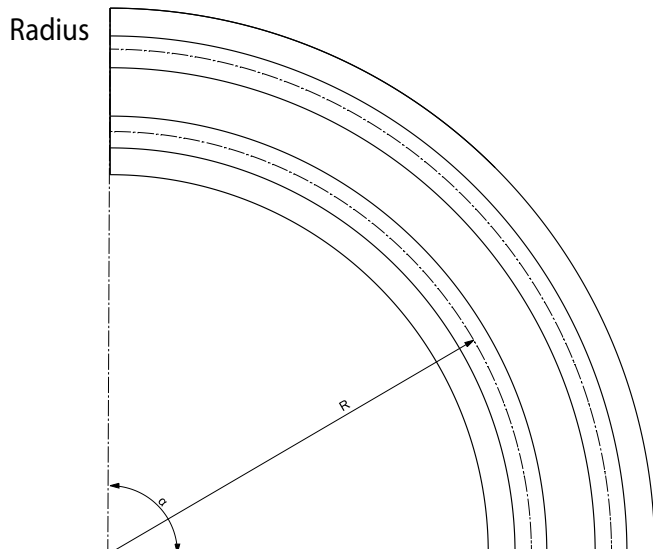
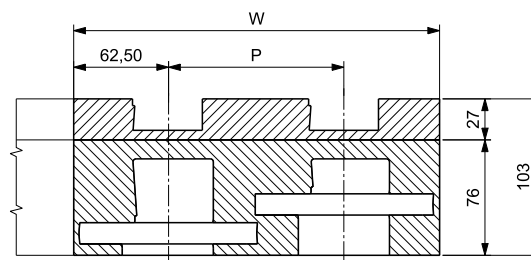
CHAIN WIDTH	TRANSVERSAL PITCH P		BASIC WIDTH B		INFEED/OUTFEED LENGHT	
	mm	inch	mm	inch	mm	inch
4 1/2"	116	4.57	125	5.92	-	-



Single track



Multi track



On request, Upper part is available in Self-Lubricating UHMWPE & Oil-filled PA.



Curve material see page 14

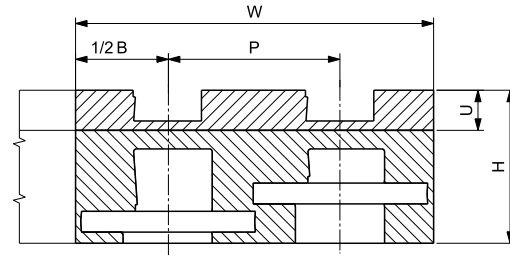
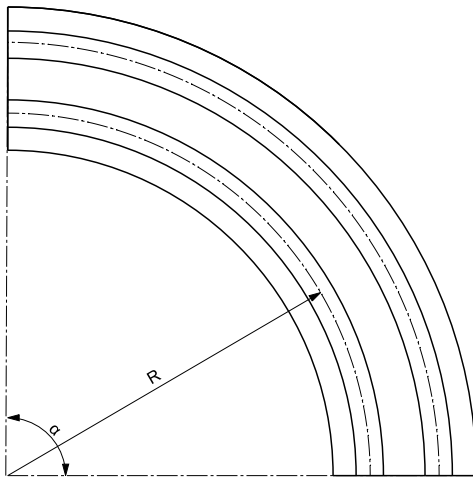
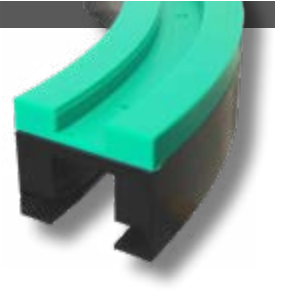
CURVES	PART NUMBER IDENTIFICATION		
UPPER PART MATERIAL	UHMWPE	High performance Self-lubricating UHMWPE	Oil-filled PA
PART NUMBERS	See table below	Replace "L93" with "L93E"	Replace "L93" with "L93P"
		Example: Radius 610 mm, 1 track, 90° curve angle, P/N: L93EKG1C/0000	Example: Radius 610 mm, 1 track, 90° curve angle, P/N: L93PKG1C/0000

CHAIN TYPE	RADIUS* R	N. OF TRACKS	TOTAL WIDTH W	PART NUMBER								
				Curve angle alpha								
Series	Width	mm	inch	mm	inch	15°	30°	45°	60°	75°	90°	
793L	4 1/2"	610	24.02	1	125	4.92	L93KGC1C/OF00	L93KGC1C/OE00	L93KGC1C/OC00	L93KGC1C/OB00	L93KGC1C/OL00	L93KGC1C/O000
				2	241	9.49	L93KGC2C/OF80	L93KGC2C/OE80	L93KGC2C/OC80	L93KGC2C/OB80	L93KGC2C/OL80	L93KGC2C/O080
				3	357	14.06	L93KGC3C/OF80	L93KGC3C/OE80	L93KGC3C/OC80	L93KGC3C/OB80	L93KGC3C/OL80	L93KGC3C/O080
				4	473	18.62	L93KGC4C/OF80	L93KGC4C/OE80	L93KGC4C/OC80	L93KGC4C/OB80	L93KGC4C/OL80	L93KGC4C/O080
				5	589	23.19	L93KGC5C/OF80	L93KGC5C/OE80	L93KGC5C/OC80	L93KGC5C/OB80	L93KGC5C/OL80	L93KGC5C/O080

* First track is intended.

NOTE: for custom requests with dimensions different from the standard, please refer to page 329.

On request, Low Pin Center curves with dimensions different from the standard can be supplied. Please fill the form below with the requested parameters and contact REGINA customer service.



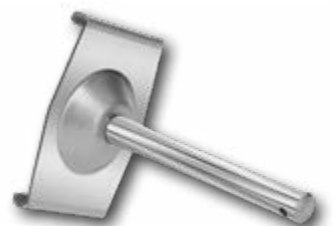
FOR CHAIN SERIES:	REQUESTED CURVE PARAMETERS		
	mm	inch	°
CHAIN WIDTH:			
FIRST RADIUS R:			
CURVE ANGLE α :			
N. OF TRACKS:			
TRANSVERSAL PITCH P:			
BASIC WIDTH B:			
TOTAL WIDTH W:			
INFEEED LENGTH L:			



PERFORMANCE IN MOTION

FliteTop[®] Matveyor[®] ULTOP[®]

Conveyor Components



Modular transfer plates with rollers create a smooth transfer head between two conveyors. They are available in 85 mm and 115 mm width and they can be used individually or back to back.

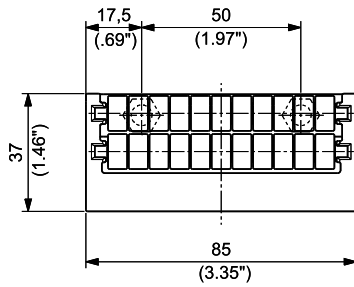
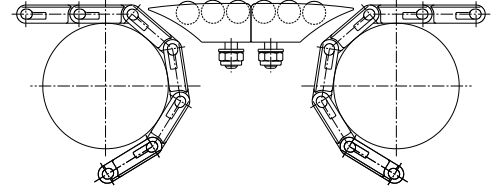


MATERIALS

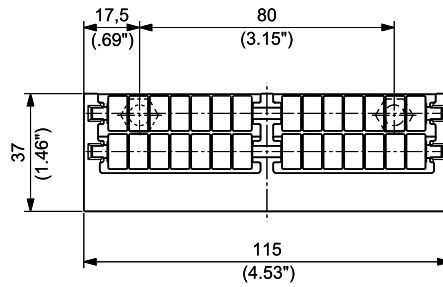
PLATE AND ROLLERS: **UP** ULTRA PERFORMANCE HOMOPOLYMER DELRIN®

SCREWS*: **SS** STAINLESS STEEL

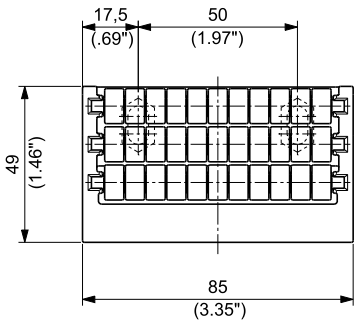
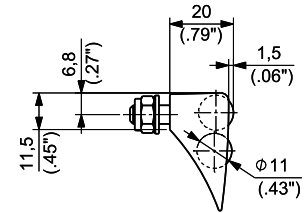
*Screws are included in the transfer plate.



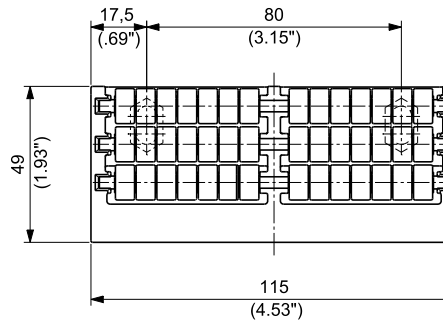
PART NUMBER **LTP-2RKQ**



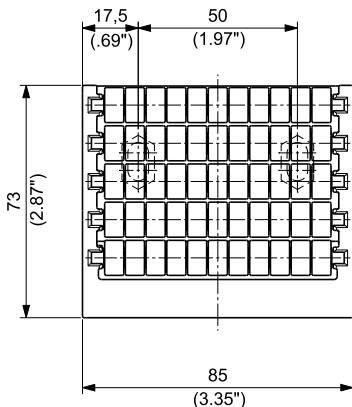
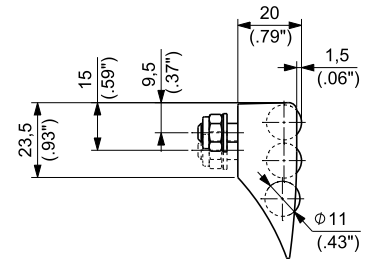
PART NUMBER **LTP-2RKG**



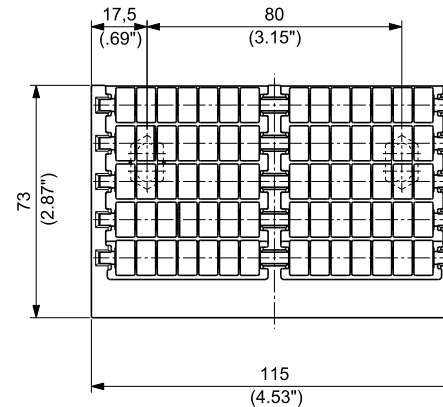
PART NUMBER **LTP-3RKQ**



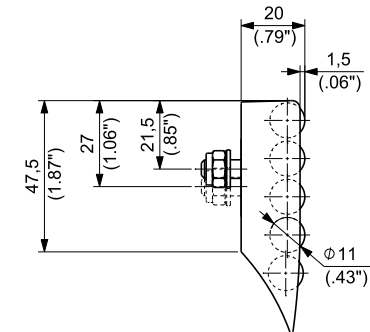
PART NUMBER **LTP-3RKG**



PART NUMBER **LTP-5RKQ**



PART NUMBER **LTP-5RKG**



Standard packaging:
10 pieces

NEW



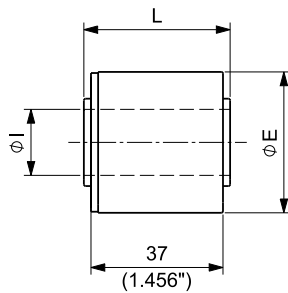
RETURN ROLLERS

Completely closed design for high hygiene standard, suitable also for food applications.
Extremely lightweight design and optimum rotation capability.
No absorption of liquids and lubricants combined with high chemical resistance.

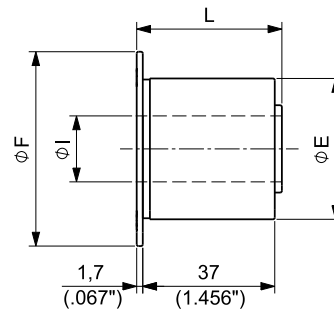
MATERIALS

ROLLERS: **HDPE** HD POLYETHYLENE

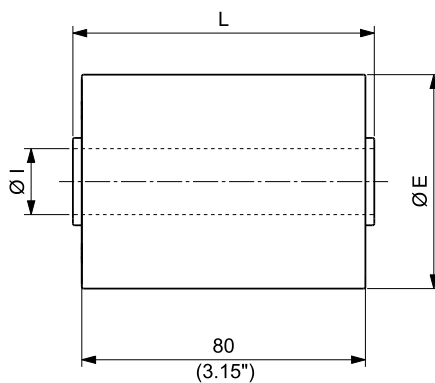
STANDARD ROLLER



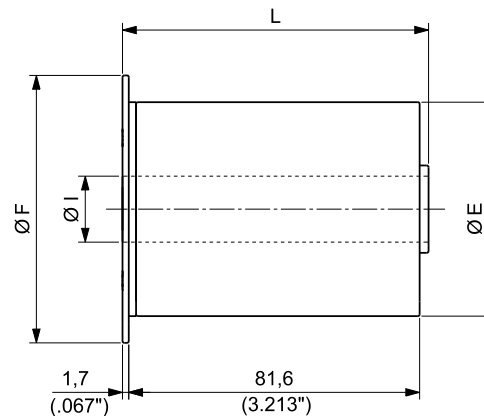
FLANGED ROLLER



DOUBLE ROLLER



FLANGED DOUBLE ROLLER



VERSION	EXTERNAL DIAMETER Ø E		LENGTH L		FLANGE DIAMETER Ø F		PART NUMBER FOR SHAFT DIAMETER Ø I			
	mm	inch	mm	inch	mm	inch	16 mm	18 mm	¾"	20 mm
STANDARD ROLLER	40	1.575	41,0	1.614	-	-	CC000424	CC000427	CC000430	CC000433
	50	1.969	41,0	1.614	-	-	CC000425	CC000428	CC000431	CC000434
	60	2.362	41,0	1.614	-	-	CC000426	CC000429	CC000432	CC000435
DOUBLE ROLLER	40	1.575	82,5	3.248	-	-	CC000054	CC000060	CC000066	CC000072
			84,5	3.327	-	-	CC000055	CC000061	CC000067	CC000073
	50	1.969	82,5	3.248	-	-	CC000056	CC000062	CC000068	CC000074
			84,5	3.327	-	-	CC000057	CC000063	CC000069	CC000075
	60	2.362	82,5	3.248	-	-	CC000058	CC000064	CC000070	CC000076
			84,5	3.327	-	-	CC000059	CC000065	CC000071	CC000077
FLANGED ROLLER	40	1.575	41,0	1.614	55	2.165	CC000448	CC000451	CC000454	CC000457
	50	1.969	41,0	1.614	65	2.559	CC000449	CC000452	CC000455	CC000458
	60	2.362	41,0	1.614	75	2.953	CC000450	CC000453	CC000456	CC000459
FLANGED DOUBLE ROLLERS	40	1.575	85,8	3.378	55	2.165	CC000102	CC000105	CC000108	CC000111
	50	1.969	85,8	3.378	65	2.559	CC000103	CC000106	CC000109	CC000112
	60	2.362	85,8	3.378	75	2.953	CC000104	CC000107	CC000110	CC000113

Standard packaging: 50 pieces

NEW



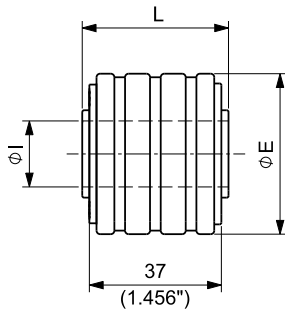
RUBBERIZED RETURN ROLLERS

Completely closed design for high hygiene standard, suitable also for food applications. The external rubber layer guarantees high grip with the chain (superior roller rotation capability), minimum chain wear and reduced noise level.

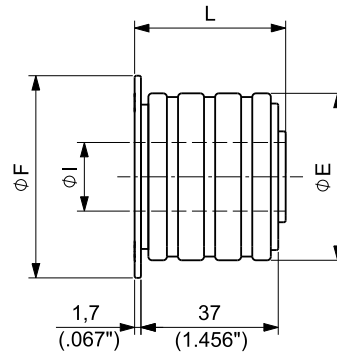
MATERIALS

ROLLERS: **HDPE** HD POLYETHYLENE
 RUBBER: **TPE** THERMOPLASTIC
 Hardness: 65 ShA

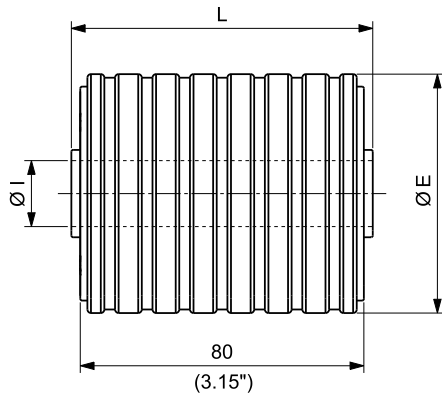
STANDARD RUBBERIZED ROLLER



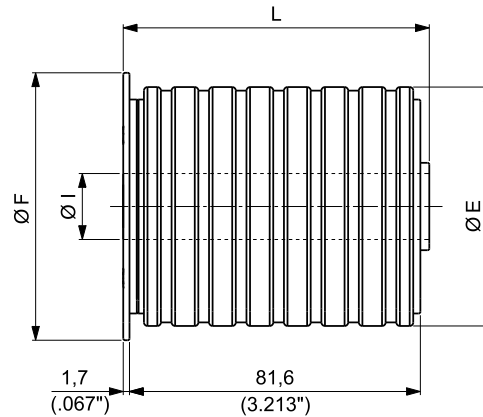
FLANGED RUBBERIZED ROLLER



DOUBLE RUBBERIZED ROLLER



FLANGED RUBBERIZED DOUBLE ROLLER



VERSION	EXTERNAL DIAMETER ØE		LENGTH L		FLANGE DIAMETER ØF		PART NUMBER FOR SHAFT DIAMETER ØI			
	mm	inch	mm	inch	mm	inch	16 mm	18 mm	3/4"	20 mm
STANDARD RUBBERIZED ROLLER	45	1.772	41,0	1.614	-	-	CC000436	CC000439	CC000442	CC000445
	57	2.244	41,0	1.614	-	-	CC000437	CC000440	CC000443	CC000446
	67	2.638	41,0	1.614	-	-	CC000438	CC000441	CC000444	CC000447
DOUBLE RUBBERIZED ROLLER	45	1.772	82,5	3.248	-	-	CC000078	CC000084	CC000090	CC000096
			84,5	3.327	-	-	CC000079	CC000085	CC000091	CC000097
	57	2.244	82,5	3.248	-	-	CC000080	CC000086	CC000092	CC000098
			84,5	3.327	-	-	CC000081	CC000087	CC000093	CC000099
	67	2.638	82,5	3.248	-	-	CC000082	CC000088	CC000094	CC000100
			84,5	3.327	-	-	CC000083	CC000089	CC000095	CC000101
FLANGED RUBBERIZED ROLLER	45	1.772	41,0	1.614	55	2.165	CC000460	CC000463	CC000466	CC000469
	57	2.244	41,0	1.614	65	2.559	CC000461	CC000464	CC000467	CC000470
	67	2.638	41,0	1.614	75	2.953	CC000462	CC000465	CC000468	CC000471
FLANGED RUBBERIZED DOUBLE ROLLER	45	1.772	85,8	3.378	55	2.165	CC000114	CC000117	CC000120	CC000123
	57	2.244	85,8	3.378	65	2.559	CC000115	CC000118	CC000121	CC000124
	67	2.638	85,8	3.378	75	2.953	CC000116	CC000119	CC000122	CC000125



Standard packaging:
50 pieces

GUIDE FLANGES

Lightweight design with excellent chemical resistance and no liquids absorption.

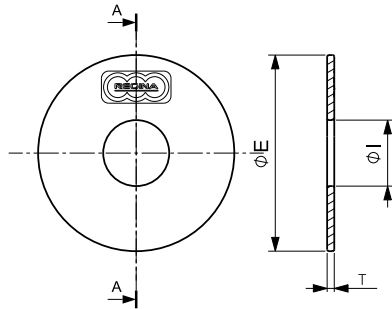
NEW



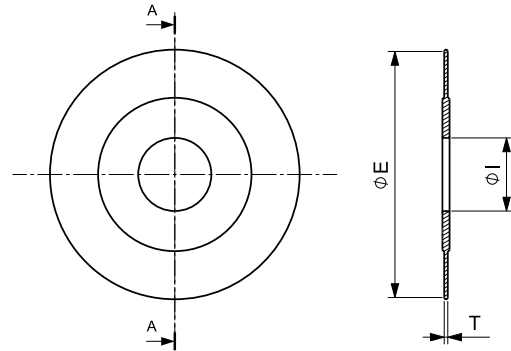
MATERIALS

FLANGES: **PP** POLYPROPYLENE

STANDARD FLANGE



REDUCED THICKNESS FLANGE



VERSION	EXTERNAL DIAMETER Ø E		THICKNESS T		PART NUMBER FOR SHAFT DIAMETER Ø ₁			
	mm	inch	mm	inch	16 mm	18 mm	¾"	20 mm
STANDARD FLANGE	55	2.165	2,0	0.079	CC000126	CC000129	CC000132	CC000135
	65	2.559	2,0	0.079	CC000127	CC000130	CC000133	CC000136
	75	2.953	2,0	0.079	CC000128	CC000131	CC000134	CC000137
REDUCED THICKNESS FLANGE	40	1.575	1,0	0.039	CC000138	CC000139	CC000140	CC000141
	70	2.756	1,0	0.039	CC000142	CC000143	CC000144	CC000145

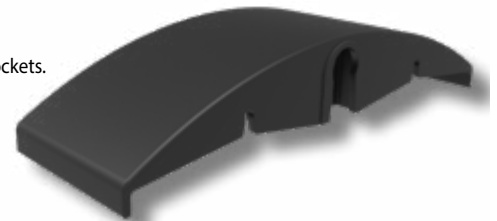


Standard packaging:
100 pieces

RETURN SHOE GUIDE

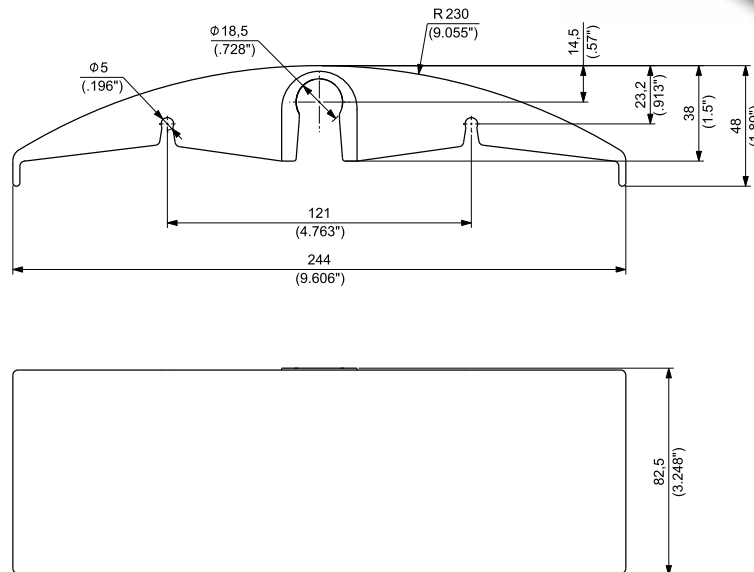
The use of the shoe guide is recommended to support LBP chains in return parts and after the catenary sag close to drive sprockets.

NEW



MATERIALS

RETURN SHOE GUIDE: **HDPE** HD POLYETHYLENE

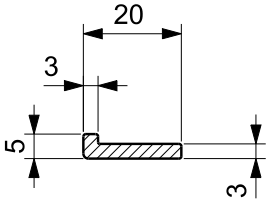


PART NUMBER **CC000150**

Very low coefficient of friction for low chain pull and energy saving.
High wear resistance for extended chains and wear strips life.

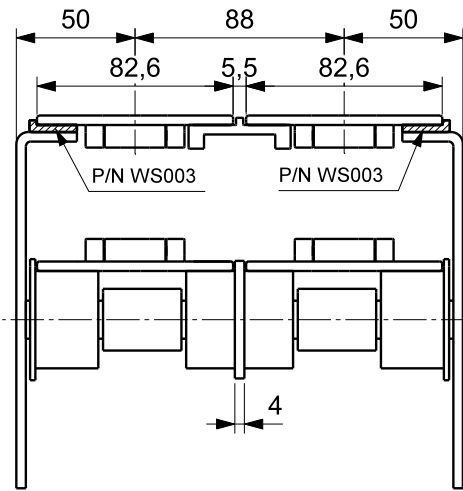


L-PROFILE

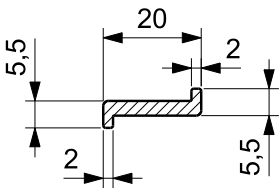


MATERIAL	PART NUMBER	STANDARD PACKAGING
UHMWPE	WS003BC	60 M COILS
UHMWPE	WS003GC	60 M COILS

APPLICATION

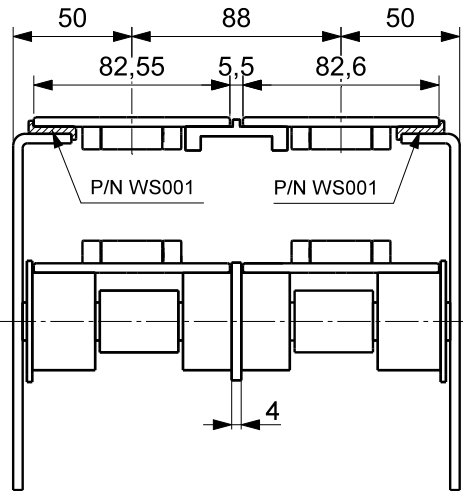


Z-PROFILE

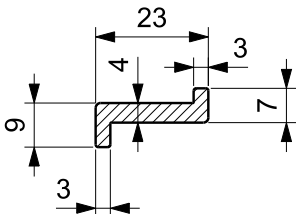


MATERIAL	PART NUMBER	STANDARD PACKAGING
UHMWPE	WS001BC	60 M COILS
UHMWPE	WS001GC	60 M COILS

APPLICATION



Z REINFORCED-PROFILE

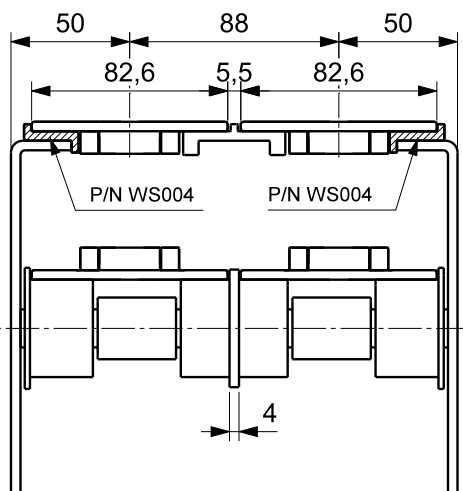


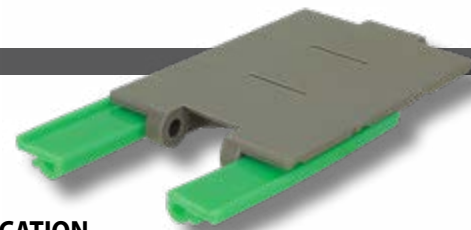
MATERIAL	PART NUMBER	STANDARD PACKAGING
UHMWPE	WS004BC	60 M COILS
UHMWPE	WS004GC	60 M COILS

NEW
e-SLIDE

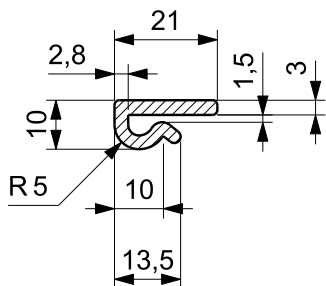
WS004EC 60 M COILS

APPLICATION



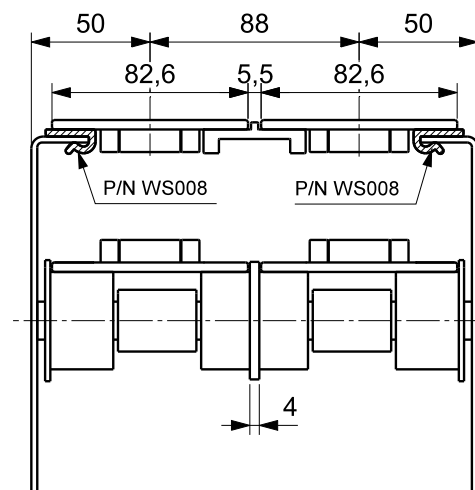


LS-PROFILE

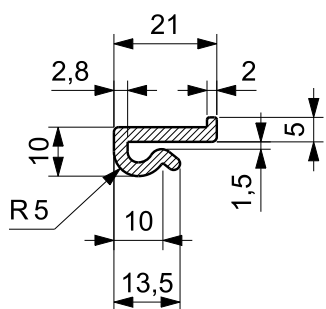


MATERIAL	PART NUMBER	STANDARD PACKAGING
UHMWPE	WS008BC	60 M COILS
UHMWPE	WS008GC	60 M COILS
NEW <i>e-SLIDE</i>	WS008EC	60 M COILS

APPLICATION

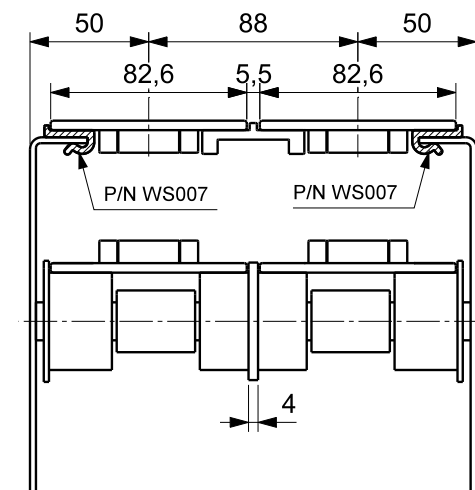


ZS-PROFILE

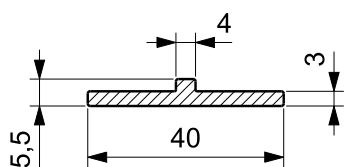


MATERIAL	PART NUMBER	STANDARD PACKAGING
UHMWPE	WS007BC	60 M COILS
UHMWPE	WS007GC	60 M COILS
NEW <i>e-SLIDE</i>	WS007EC	60 M COILS

APPLICATION

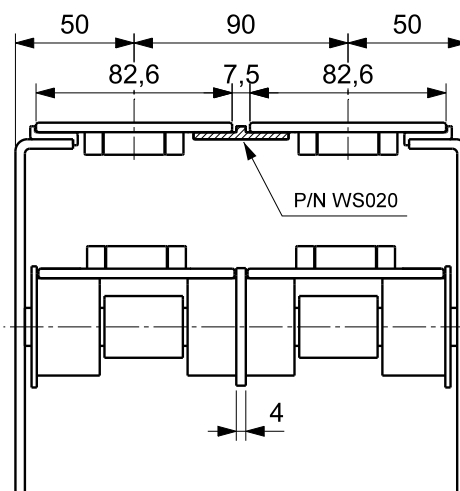


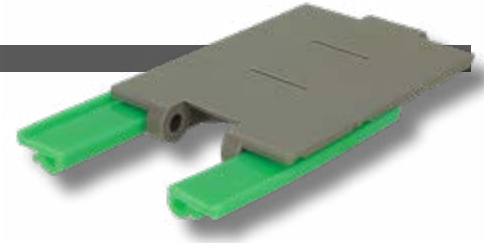
T-PROFILE



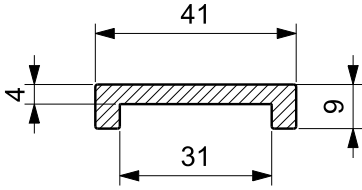
MATERIAL	PART NUMBER	STANDARD PACKAGING
UHMWPE	WS002BC	60 M COILS
UHMWPE	WS002GC	60 M COILS

APPLICATION



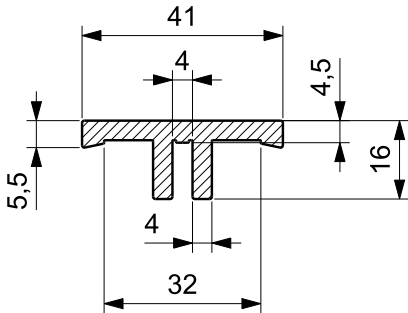


U-PROFILE



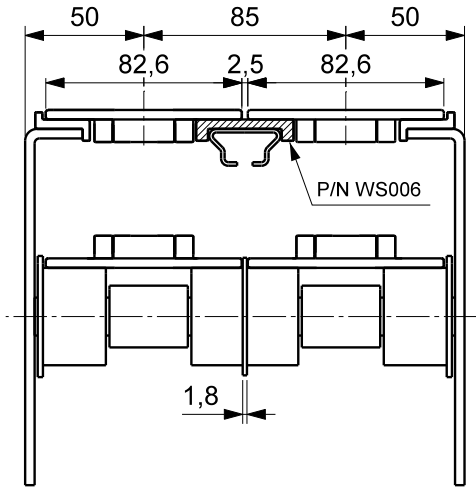
MATERIAL	PART NUMBER	STANDARD PACKAGING
UHMWPE	WS006BS	3 M BARS
	WS006BL	6 M BARS
UHMWPE	WS006GS	3 M BARS
	WS006GL	6 M BARS
NEW e-SLIDE	WS006ES	3 M BARS
	WS006EL	6 M BARS

T-PROFILE

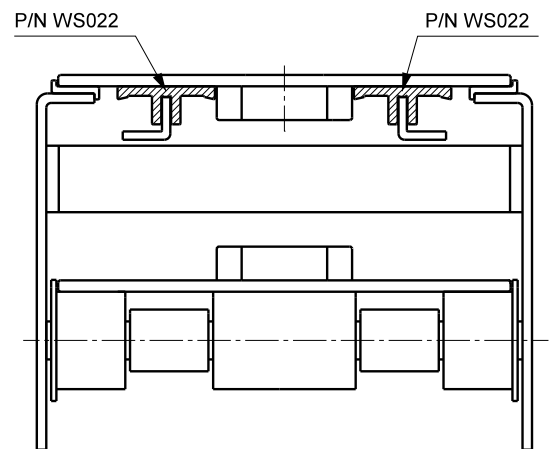


MATERIAL	PART NUMBER	STANDARD PACKAGING
UHMWPE	WS022BS	3 M BARS
UHMWPE	WS022GS	3 M BARS

APPLICATION

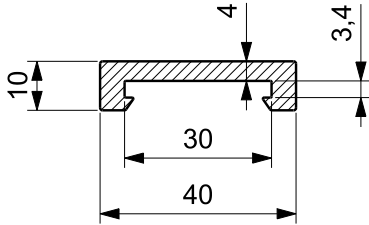


APPLICATION

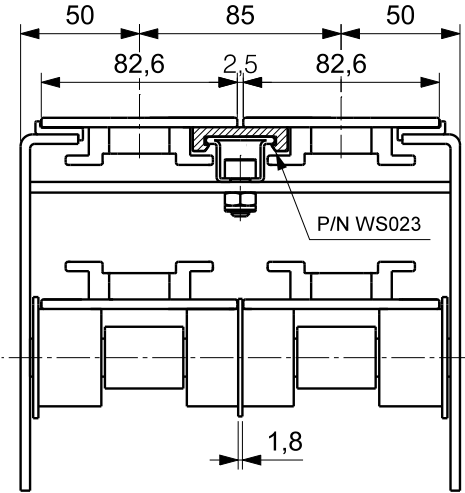




U-PROFILE



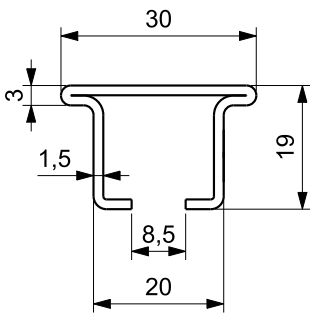
APPLICATION



MATERIAL	PART NUMBER	STANDARD PACKAGING
UHMWPE	WS023BS	3 M BARS
	WS023BL	6 M BARS
UHMWPE	WS023GS	3 M BARS
	WS023GL	6 M BARS
NEW e-SLIDE	WS023ES	3 M BARS
	WS023EL	6 M BARS

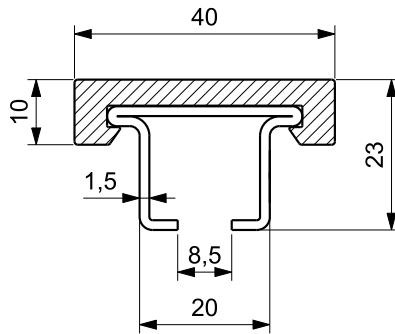
METAL PROFILE

NEW

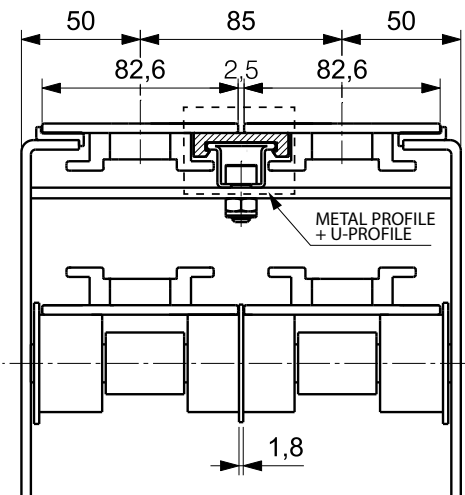


METAL PROFILE + U-PROFILE

NEW

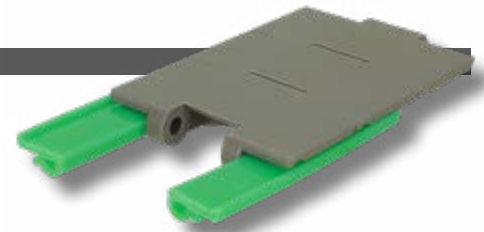


APPLICATION

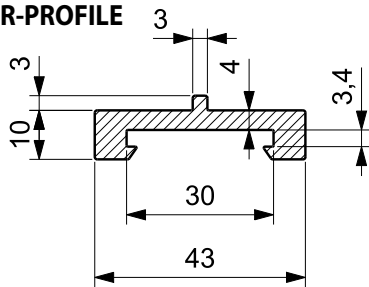


MATERIAL	PART NUMBER	LENGTH	STANDARD PACKAGING	WEIGHT
METAL PROFILE	U-PROFILE			
Austenitic stainless steel	-	3 M BARS	18 M	0,94 kg/m
	(metal profile only)	6 M BARS (On request)	18 M	
Austenitic stainless steel	UHMWPE	3 M BARS	18 M	1,15 kg/m
	UHMWPE	6 M BARS (On request)	18 M	
	NEW e-SLIDE	3 M BARS	18 M	
	NEW e-SLIDE	6 M BARS (On request)	18 M	

*Metal profile and U-PROFILE are supplied assembled

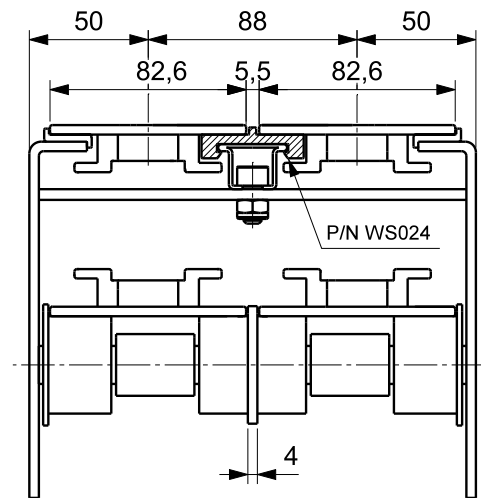


UR-PROFILE

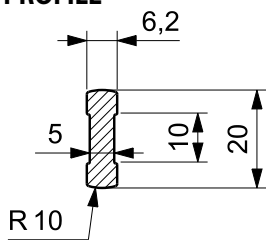


MATERIAL	PART NUMBER	STANDARD PACKAGING
UHMWPE	WS024BS	3 M BARS
	WS024BL	6 M BARS
UHMWPE	WS024GS	3 M BARS
	WS024GL	6 M BARS

APPLICATION

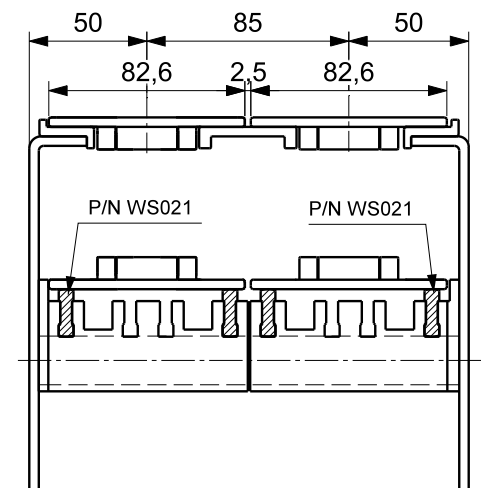


I-PROFILE

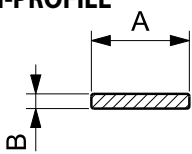


MATERIAL	PART NUMBER	STANDARD PACKAGING
UHMWPE	WS021BC	60 M COILS
UHMWPE	WS021GC	60 M COILS

APPLICATION

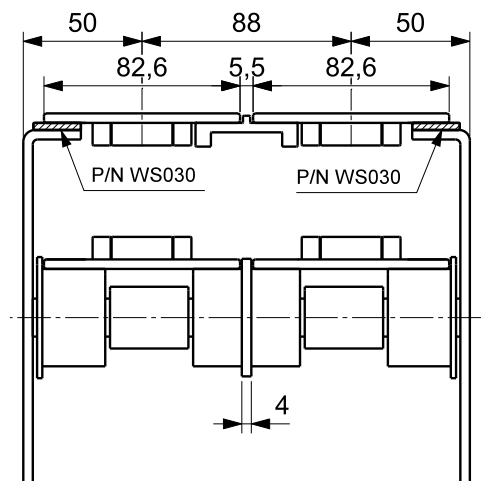


I-PROFILE



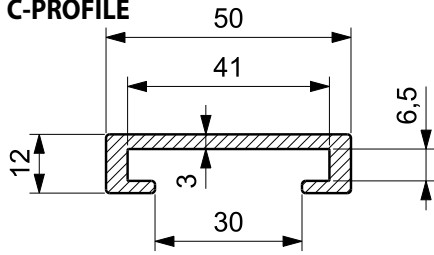
MATERIAL	PART NUMBER	AxB	STANDARD PACKAGING
UHMWPE	WS030BC	20x3	60 M COILS
	WS031BC	20x5	60 M COILS
	WS032BC	60x3	60 M COILS
	WS033BC	70x3	60 M COILS
UHMWPE	WS030GC	20x3	60 M COILS
	WS031GC	20x5	60 M COILS
	WS032GC	60x3	60 M COILS
	WS033GC	70x3	60 M COILS

APPLICATION



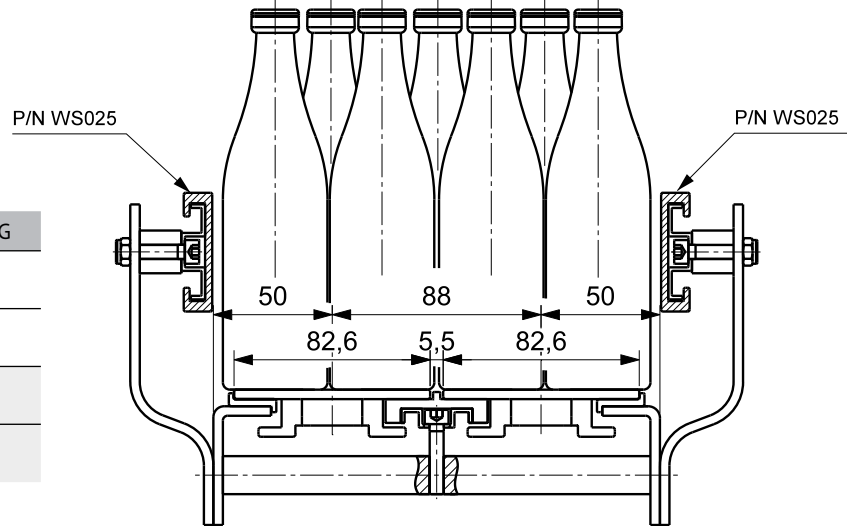


C-PROFILE

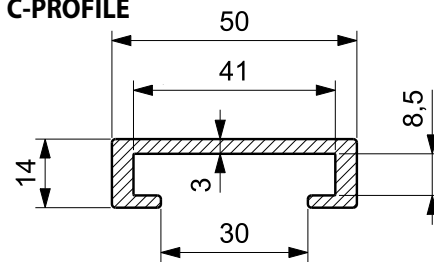


MATERIAL	PART NUMBER	STANDARD PACKAGING
UHMWPE	WS025BS	3 M BARS
	WS025BL	6 M BARS
UHMWPE	WS025GS	3 M BARS
	WS025GL	6 M BARS

APPLICATION

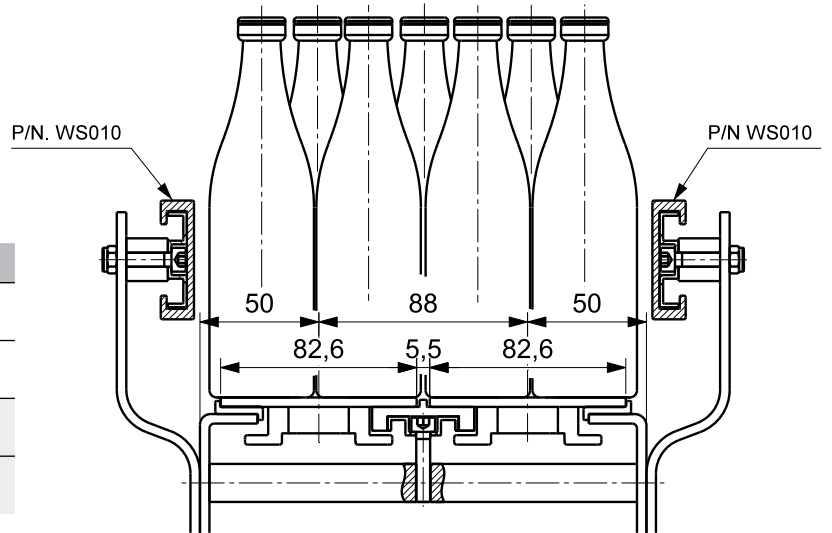


C-PROFILE

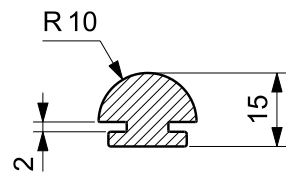


MATERIAL	PART NUMBER	STANDARD PACKAGING
UHMWPE	WS010BS	3 M BARS
	WS010BL	6 M BARS
UHMWPE	WS010GS	3 M BARS
	WS010GL	6 M BARS

APPLICATION

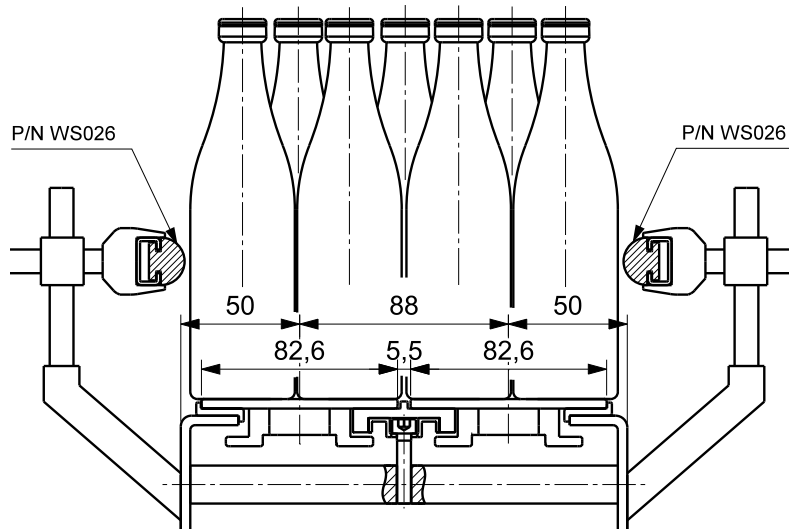


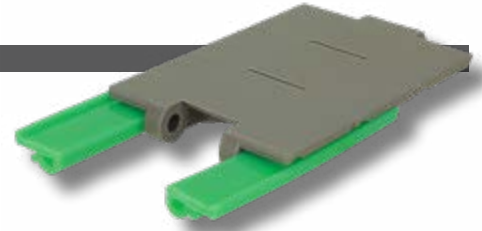
D-PROFILE



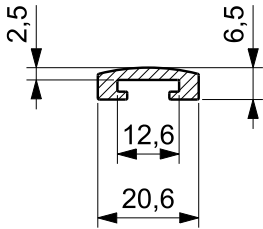
MATERIAL	PART NUMBER	STANDARD PACKAGING
UHMWPE	WS026BS	3 M BARS
	WS026BL	6 M BARS
UHMWPE	WS026GS	3 M BARS
	WS026GL	6 M BARS

APPLICATION



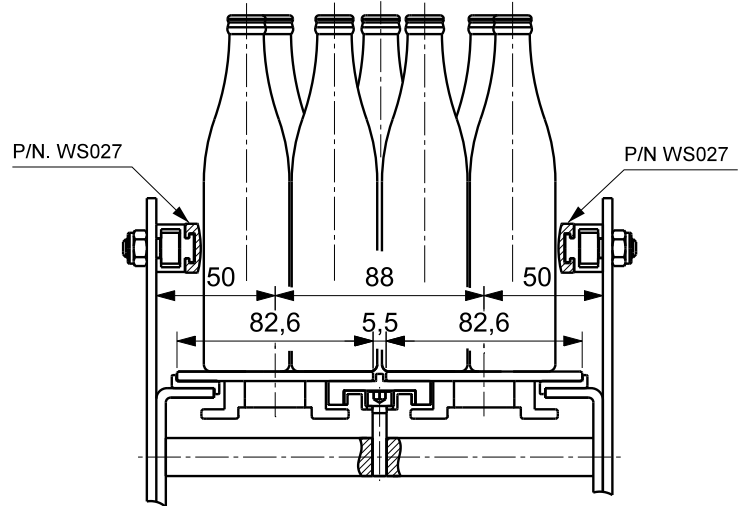


DF-PROFILE

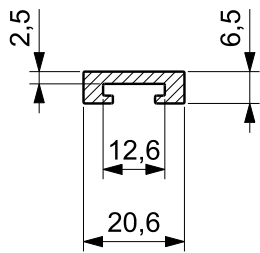


MATERIAL	PART NUMBER	STANDARD PACKAGING
UHMWPE	WS027BS	3 M BARS
	WS027BL	6 M BARS
UHMWPE	WS027GS	3 M BARS
	WS027GL	6 M BARS

APPLICATION

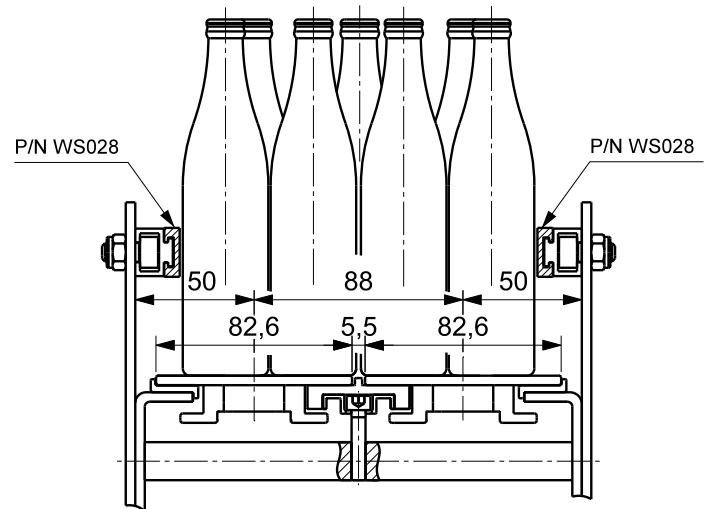


DR-PROFILE



MATERIAL	PART NUMBER	STANDARD PACKAGING
UHMWPE	WS028BS	3 M BARS
	WS028BL	6 M BARS
UHMWPE	WS028GS	3 M BARS
	WS028GL	6 M BARS

APPLICATION

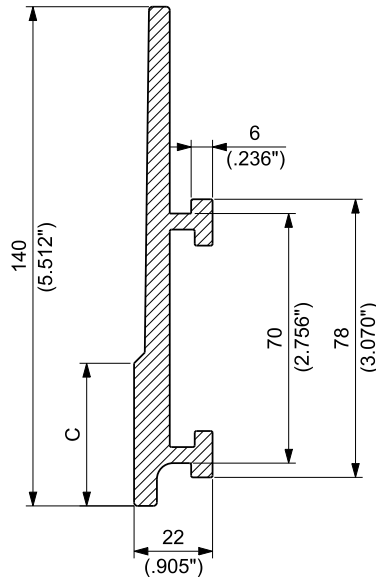


The side guides provides low friction and smooth consistent contact with the products for the maximum sability.
 It is ideal for PET or glass bottles, also where label protection is critical.
 The side guides are supplied without clamp.
 It can be ordered using the P/N CC000307.

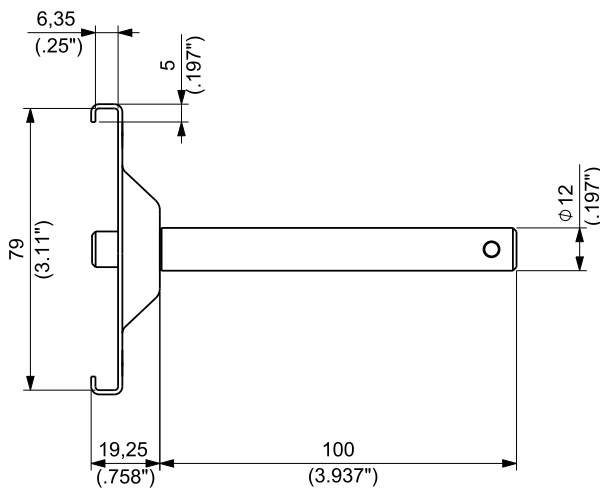
NEW



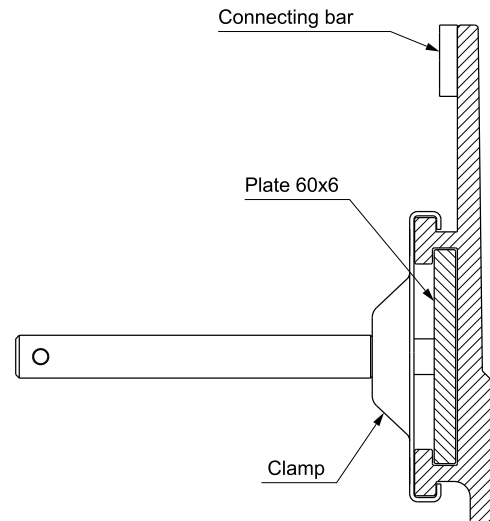
LABEL PROTECTION PROFILE



STAINLESS STEEL CLAMP



ASSEMBLY EXAMPLE



PART NUMBER **CC000307**



Standard packaging:
30 pieces

MATERIAL	VERSION	PART NUMBER	C		FOR PLATE mm	STANDARD PACKAGING
			mm	inch		
HDPE	NO LABEL PROTECTION	CC000300	-	-	60x6	3 M BARS
		CC000303	5	0.197		
	WITH LABEL PROTECTION	CC000301	20	0.787		
		CC000302	40	1.575		

A large area of the page is filled with horizontal dotted lines, providing a space for handwritten notes.



PERFORMANCE IN MOTION

ITALY

REGINA CATENE CALIBRATE S.p.A.
HEAD OFFICE:
Via Monza, 90
23870 Cernusco Lombardone (LC) - Italy
Tel. +39 039 99801
Fax +39 039 9905229
sales@reginachain.net

USA

REGINA USA, INC.
305 E. Mahn Court
Oak Creek, WI 53154 - USA
Tel. 001 414 5710032
Fax 001 414 5710225
sales.us@reginachain.net

FRANCE

REGINA INDUSTRIE s.a.r.l.
Z.A.C. des Chatelliers
34 Rue des Frères Lumière
45800 Saint Jean De Braye - France
Tel. +33 238 836363
Fax +33 238 836413
sales.fr@reginachain.net

MEXICO

REGINA de MEXICO S.A. de C.V.
Av. Aviación 5051-28
Col. San Juan de Ocotan
45019 Zapopan, Jalisco – Mexico
Tel. +52 33 3627 4043
Fax +52 33 3627 3930
sales.mx@reginachain.net

CHINA

REGINA TIANJIN CHAIN & BELT CO., LTD.
Xi Qing Economic Development Area,
Xiang Rui Road n. 17
Tian Xiang Industrial Zone
300385 Tian Jin - China
Tel. +86 22 83961223
Fax +86 22 83961202
sales.cn@reginachain.net

UNITED KINGDOM

REGINA INTERNATIONAL LIMITED
Unit 1, Dyneley Road,
Greenbank Business Park
Whitebirk, Blackburn,
Lancs BB1 3AB - United Kingdom
Tel. +44 1254 661116
Fax +44 1254 59456
sales.uk@reginachain.net

ARGENTINA

REGINA INTERNATIONAL S.A.
Diagonal 190,
1788-1655 José Leon Suarez
Prov. Buenos Aires – Argentina
Tel. +54 11 47296667
Fax +54 11 47203210
sales.ar@reginachain.net

GERMANY

REGINA CATENE CALIBRATE S.p.A.
BRANCH
Giselherstrasse 56
44319 - Dortmund - Germany
Tel. +49 231 95983001
sales.de@reginachain.net

SPAIN

CADENAS REGINA ESPAÑA, S.L.
Calle Industria, 37
08120 La Llagosta - Barcelona - España
Tel. +34 93 5742838
Fax +34 93 5740735
sales.es@reginachain.net

THE NETHERLANDS

SALES OFFICE
Tel. +31 610681114
sales.nl@reginachain.net

INDIA

SALES OFFICE
Tel. +91 9881399026
sales.in@reginachain.net



www.reginachain.net