

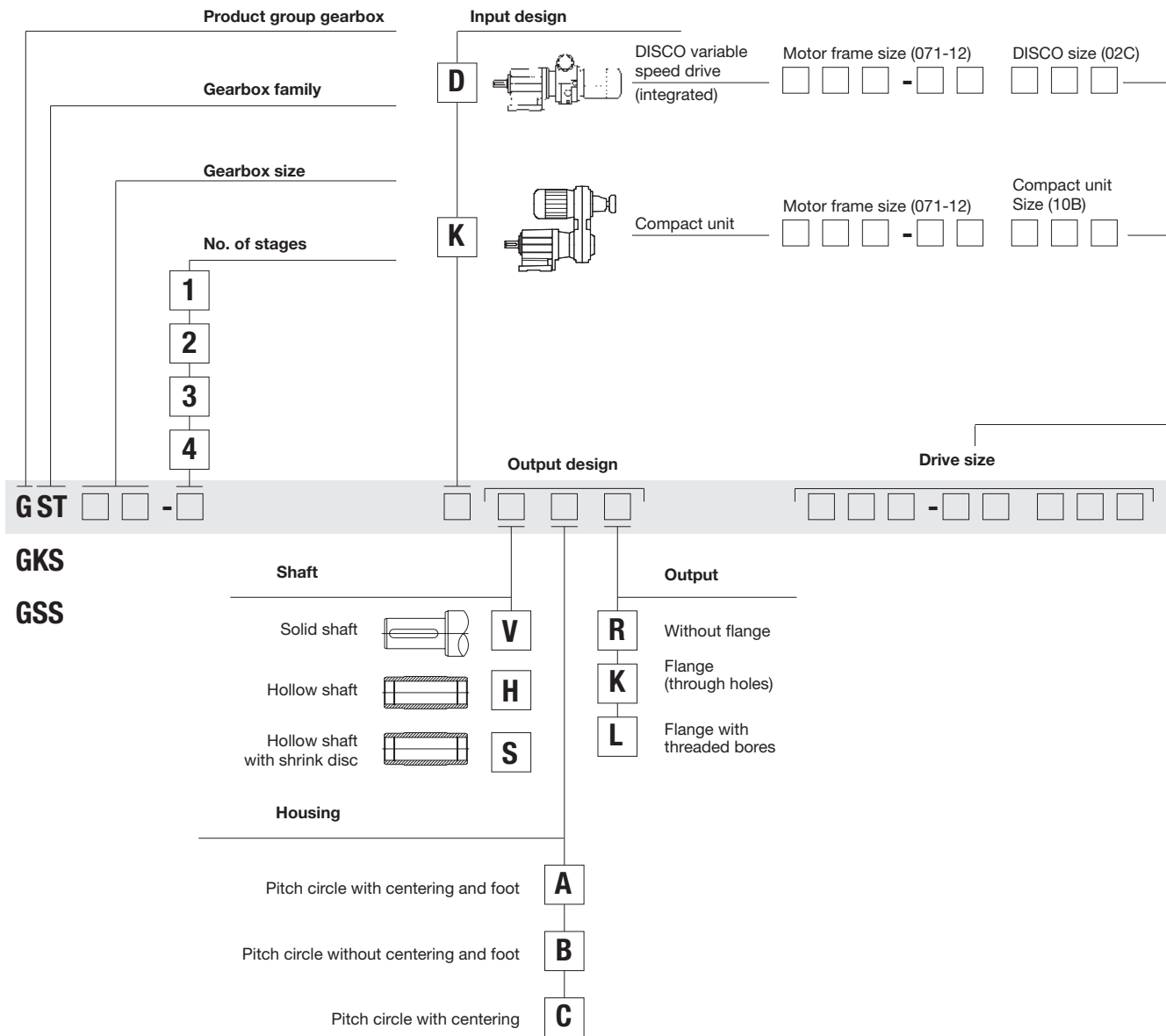
Disco variable speed drives

Compact units

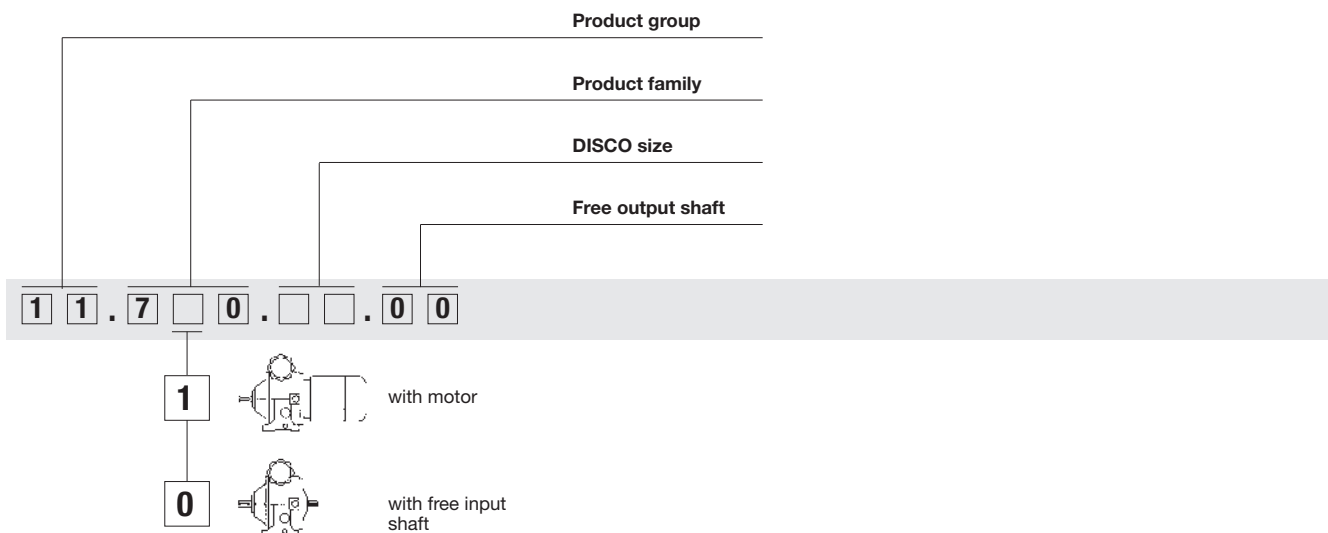
Variable speed pulleys

Product key

Variable speed drives with gearboxes



Disco variable speed drive without gearbox



Mounting position (A - F) and position of system modules (1 -6)

Compact units

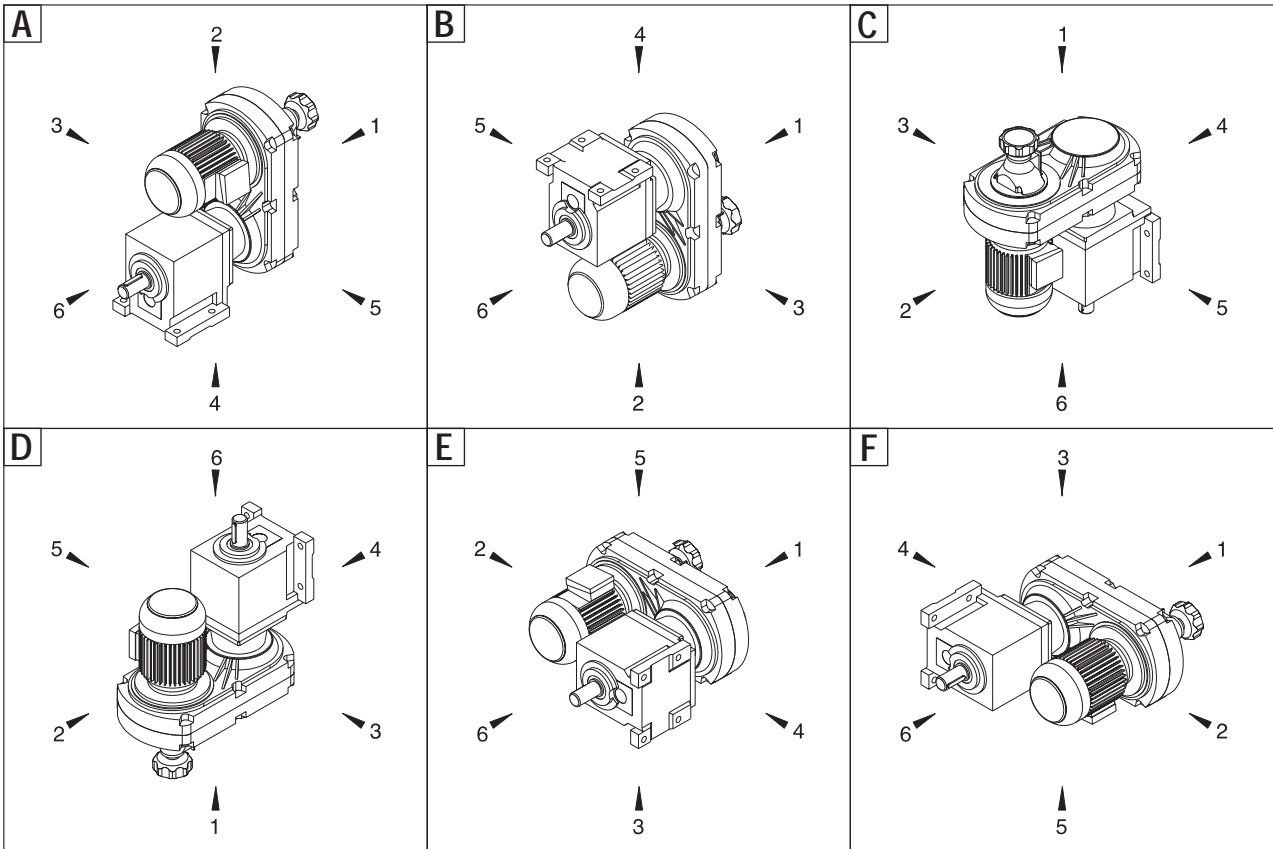
with helical gearbox

GST□□-□K

Terminal box: 2, 3, 4, 5

Motor: 1=Z, 6=U

Variable speed belt drive: 2, 3, 4, 5



with helical-bevel gearbox and helical-worm gearbox

GKS□□-□K

Solid shaft: 3, 5, 3+5

Flange: 3, 5, 3+5

Terminal box: 2, 3, 4, 5

GSS□□-□K

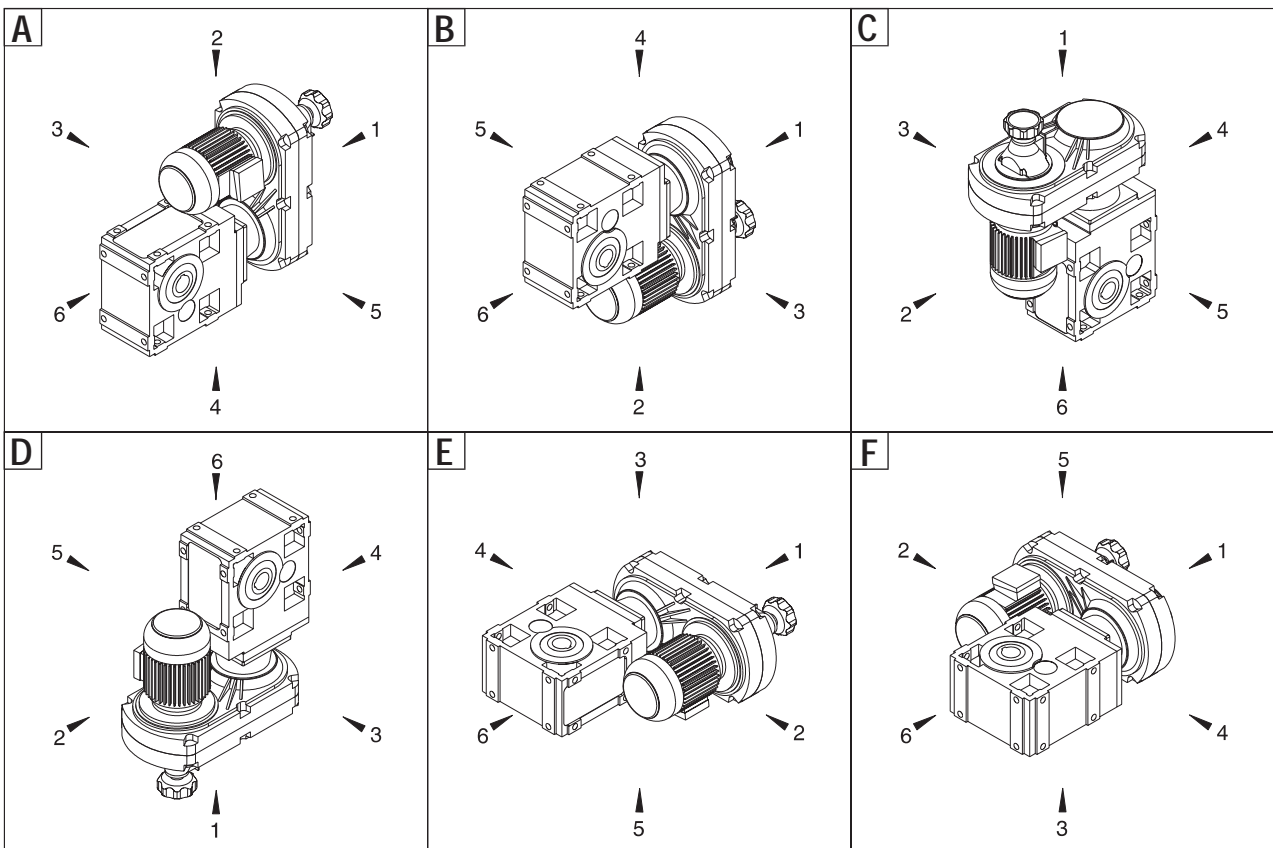
Hollow shaft: 0

without flange: 0

Motor: 1=Z, 6=U

Hollow shaft with shrink disc: 3, 5

Variable speed belt drive: 2, 3, 4, 5



Mounting position (A - F) and position of system modules (1 -6) DISCO variable speed drives

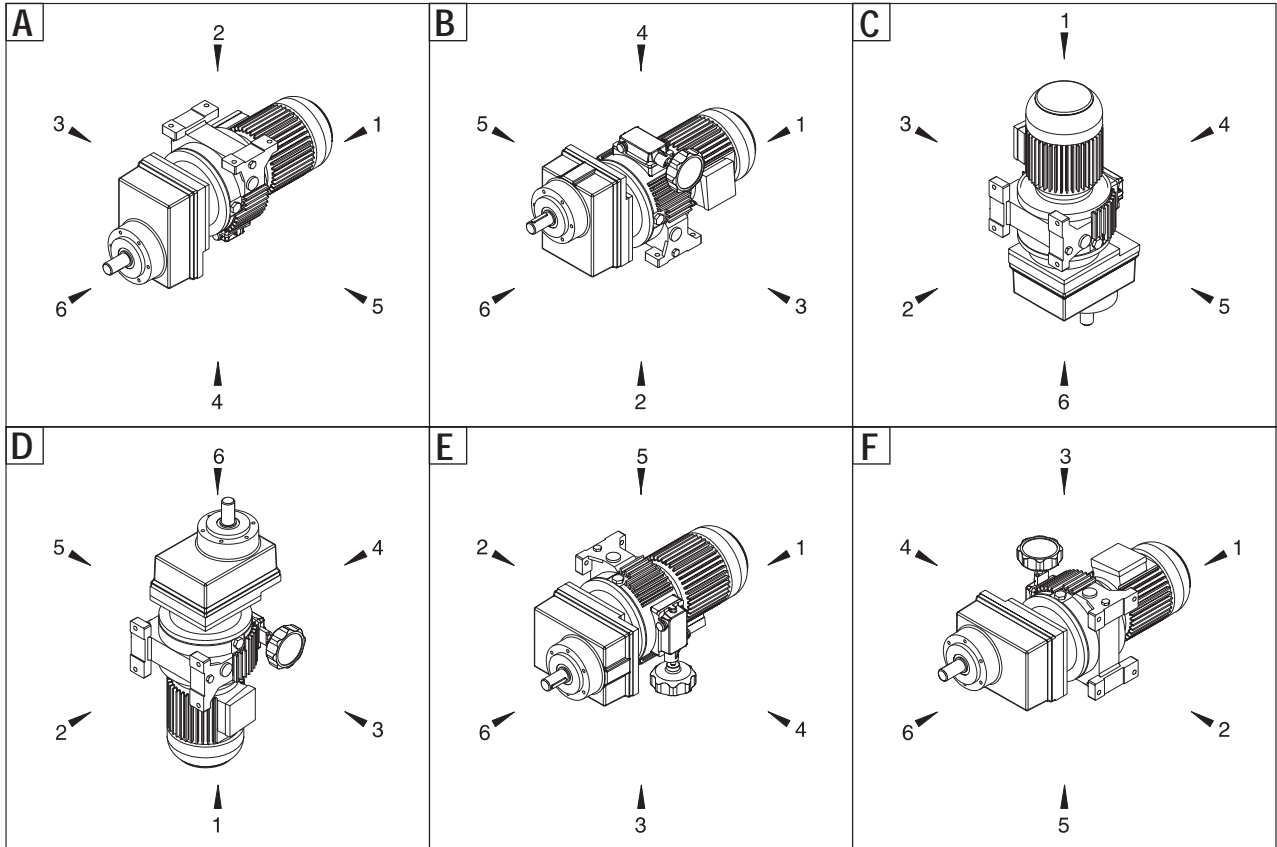
with helical gearbox

GST□□-1D VCR (foot on variable speed drive)

Terminal box: 2, 3, 4, 5

Spindle box: 2, 3, 4, 5

Handwheel/adjuster: 2, 3, 4, 5



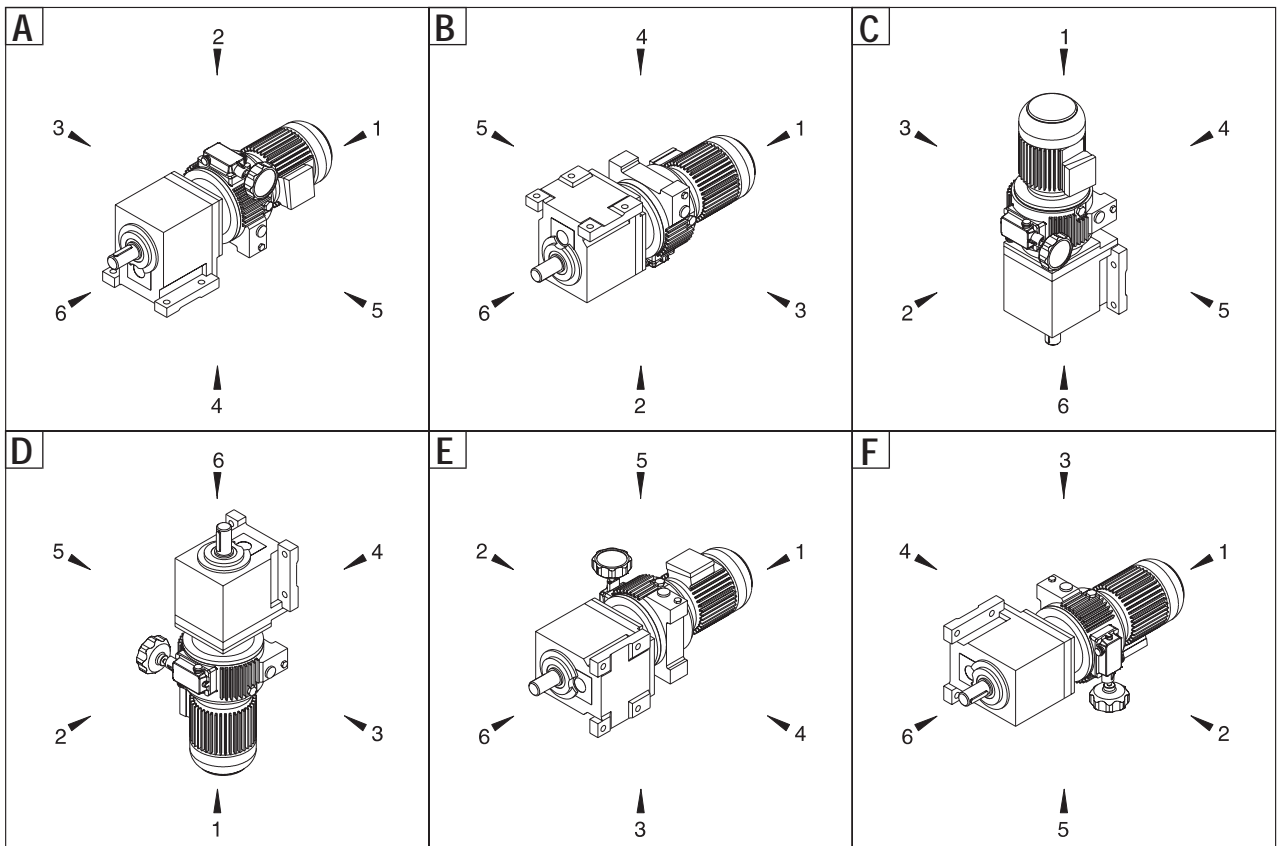
with helical gearbox

GST□□-□D

Terminal box: 2, 3, 4, 5

Spindle box: 2, 3, 4, 5

Handwheel/adjuster: 2, 3, 4, 5



Mounting position (A - F) and position of system modules (1 -6)

DISCO variable speed drives

with helical-bevel gearbox and helical-worm gearbox

GKS□□-□D

Solid shaft: 3, 5, 3+5

Flange: 3, 5, 3+5

Terminal box: 2, 3, 4, 5

GSS□□-□D

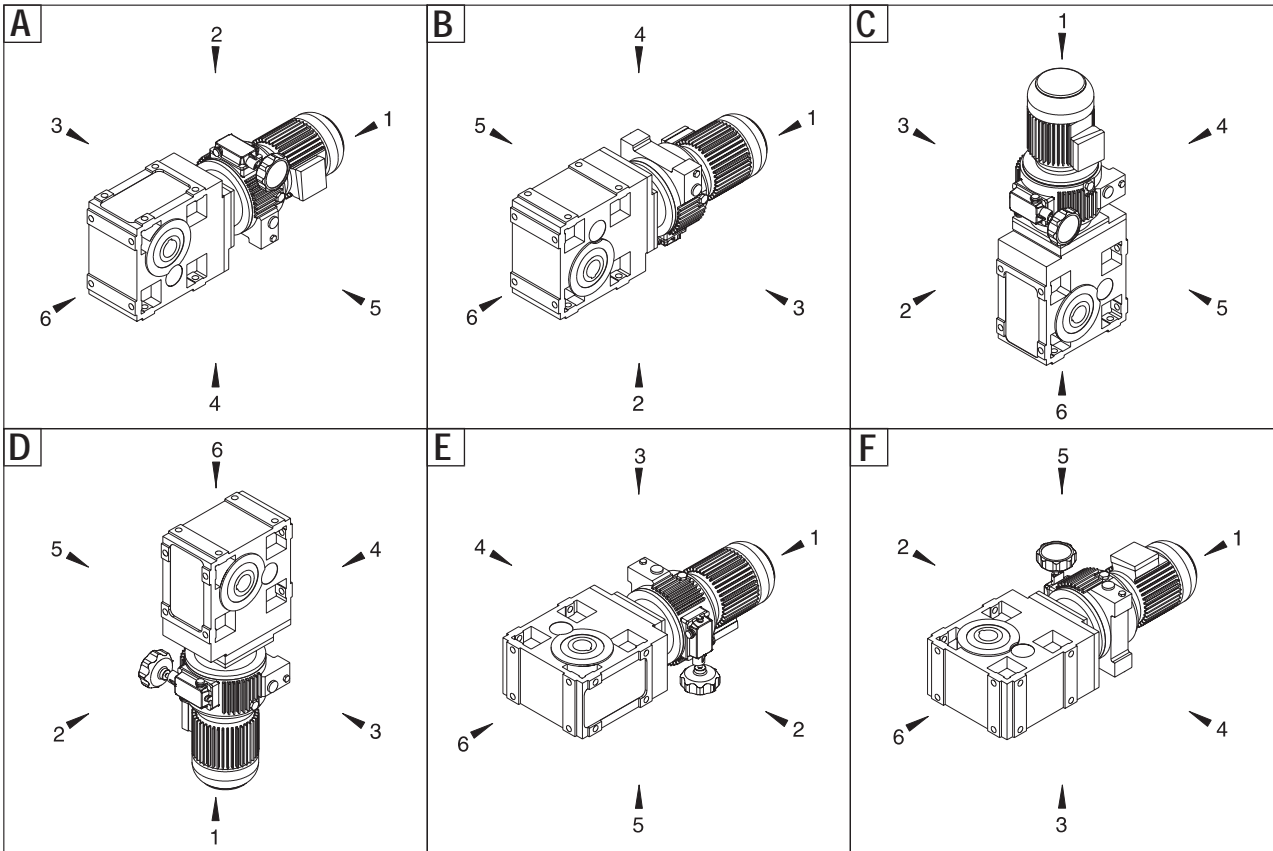
Hollow shaft: 0

without flange: 0

Spindle box: 2, 3, 4, 5

Hollow shaft with shrink disk: 3, 5

Handwheel/adjuster: 2, 3, 4, 5

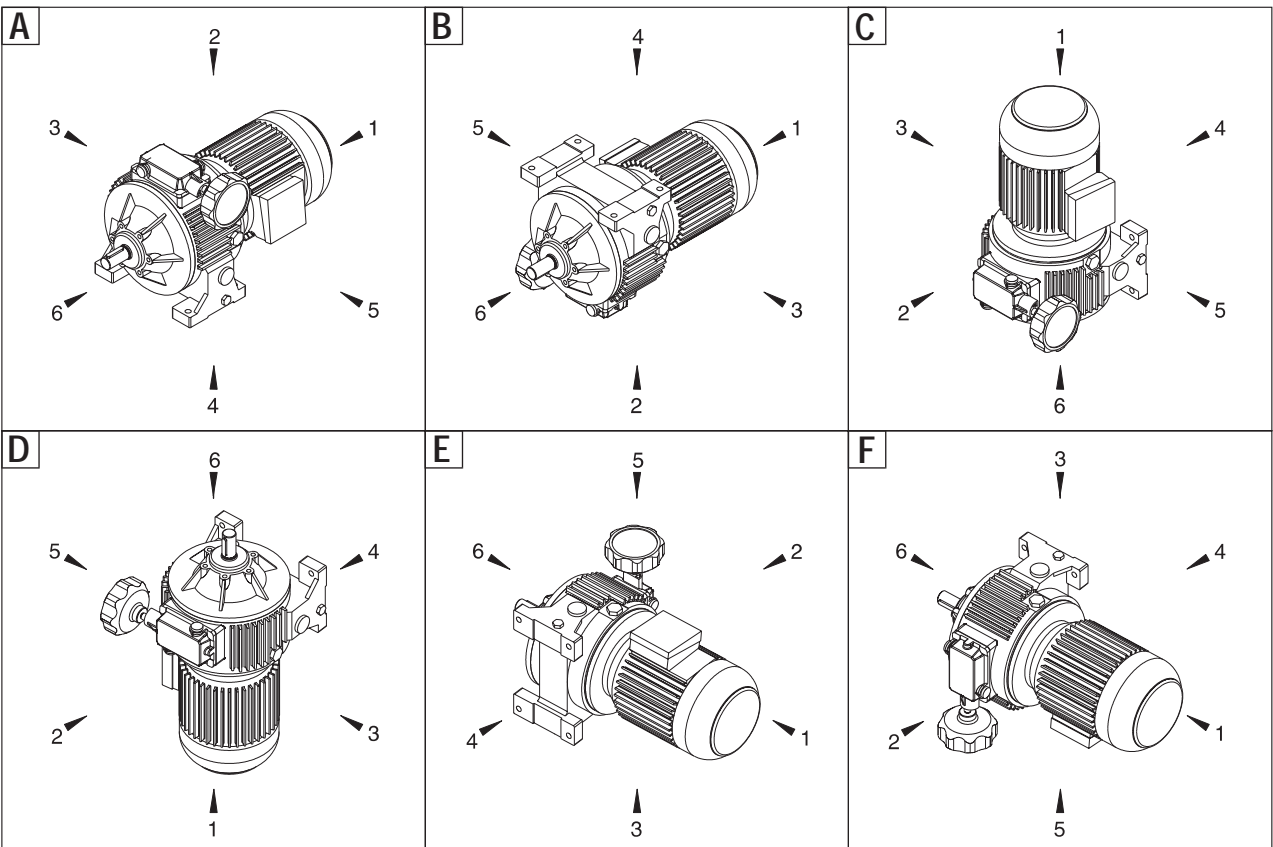


without gearbox

11.7□0

Terminal box: 2, 3, 4, 5

Handwheel/adjuster: 3, 5



Contents

General information

1-1 to 1-12

Drive selection

Rated point	2-1
Required load capacity	2-2
Radial and axial forces	2-4

Technical data

DISCO variable speed drives	3-1 to 3-41
Compact units	3-2
Gearboxes	3-7
AC motors	3-10
Weights	3-26
	3-32

DISCO variable speed drives

	4-1 to 4-81
with helical gearbox	4-2
with helical-bevel gearbox	4-28
with helical-worm gearbox	4-54
without gearbox attached	4-70
Attachments	4-76



Compact units

	5-1 to 5-119
with helical gearbox	5-2
with helical-bevel gearbox	5-40
with helical-worm gearbox	5-80
Attachments	5-113



Variable speed pulleys

	6-1 to 6-31
General information	6-2
Variable speed pulleys 11.101/104	6-6
Variable speed pulleys 11.213/218	6-21



Fax orders / Lenze worldwide

7-1

1 No matter which solution you imagine, we make your dreams come true.

Following our maxim “one stop shopping” we offer you a complete programme of electronic and mechanical drive systems which are distinguished by reliability and efficiency. The range of our products includes frequency inverters, speed controllers, servo controllers, variable speed drives and gearboxes, clutches and brakes as well as the appropriate motors.

So Lenze is not only the supplier for single components but also offers solutions for complete drive systems including planning, execution and commissioning of your applications. Furthermore, a worldwide service and distribution network allows a qualified customer advisory service at the job and a fast and extensive after sales service.

Our quality assurance system for development, production, sales and service is certified according to DIN ISO 9001. Our customers set the scale for measuring the quality of our products. Our task is to meet your requirements, customer orientation as a Lenze principle implies the best quality.

Convince yourself.

G-motion:

The innovative geared motor programme with intelligent speed variation.

Lenze gearboxes of the new generation have been well established in industry for years now. The programme comprises standard industry types, such as helical, low-profile, helical-bevel, helical-worm and bevel geared motors for the power range from 0.12 to 45 kW.

All types are available as gearboxes to be mounted to IEC motors or compact geared motors. The programme also offers combinations of geared motors and directly mounted frequency inverters. These mechatronic variable speed drives enable flexible control and communication possibilities.

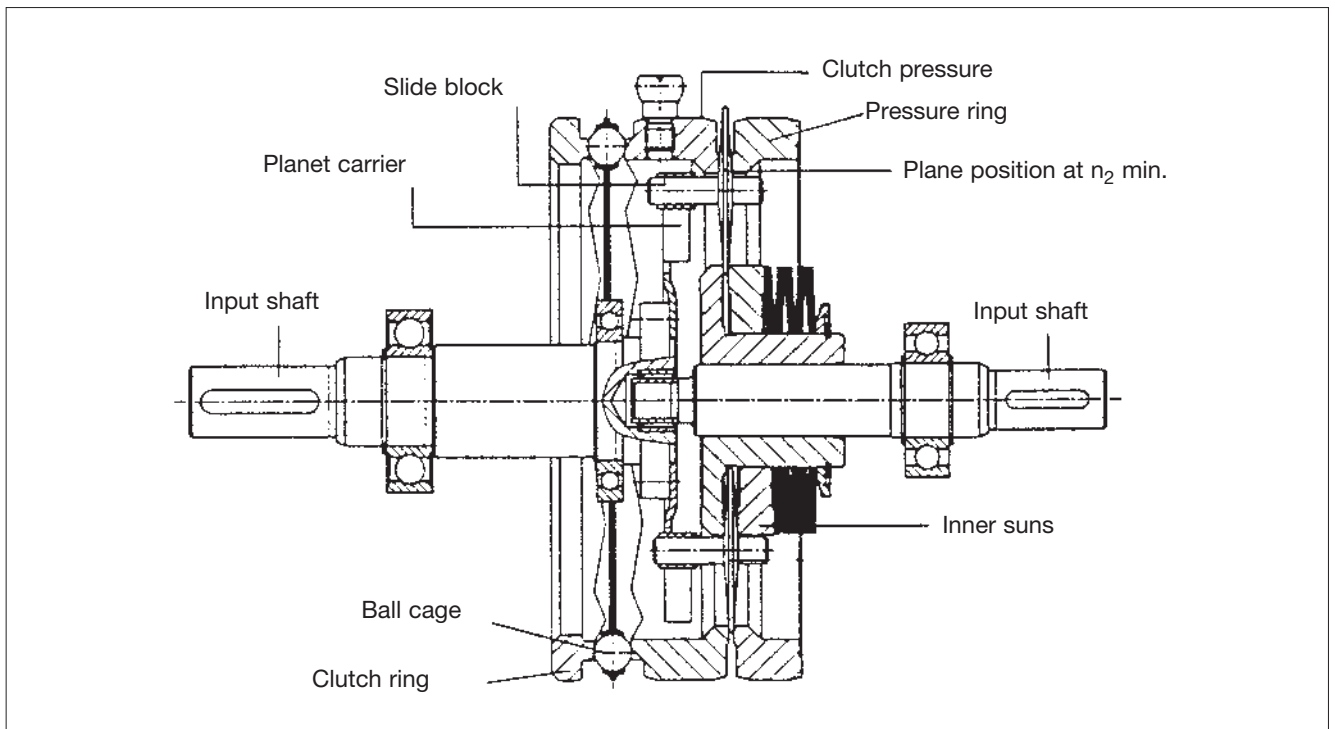
Even today many applications require a simple and rugged drive. For this, Lenze offers mechanical variable speed drive combinations with gearboxes of the new generation. Simlabeled and Disco are the well established Lenze gearboxes for this type of speed adjustment.

The catalog *G-motion, m_var* contains all selection criteria, tables and dimension information for all components required for mechanical speed adjustment. Disco planetary wheel drives, Simlabeled compact units and variable speed pulleys.

Disco planetary wheel drives – Operation principle

Disco planetary wheel drives are planetary wheel gearboxes with non-positive power and speed transmission. The planets, which are held by a planet carrier with slide blocks, rotate around the driving inner sun. Speed and force are transmitted to the inner sun and the planets from the input shaft. The planets rotating around the inner sun lean on the outer rings fixed inside the housing and drive the planet carrier which is fixed to the output shaft. The speed is adjusted through an adjustment spindle by turning the clutch pressure ring inside the housing. The planets thus move on different rotation radii, depending on the width of the air gap between clutch pressure ring and pressure ring. Therefore, the speed can be adjusted in a range of 1:6. With minimum output speeds, the speed can also be adjusted when the input shaft does not rotate, for higher speeds, the gearbox must be running. Disco planetary wheel gearboxes offer the following advantages:

- Power range $P_1 = 0.25$ to 7.5 kW
- Small dimensions, high power
- Small ratio of input speed 1:1.5 to 1:9
- Low noise, low vibration generation
- Adjustment range 1:6, seven gearbox sizes
- Enclosed full-metal housing, rotating parts in oil bath, thus protected against aggressive environmental conditions.



1 Simplabelt compact units Operating principle

Simplabelt compact units are rugged, universally applicable variable speed geared motors for powers between 0.25 to 45 kW with adjustable output speeds. The main part is the Simplabelt variable speed pulley type 11.213 (with size 40 type 11.218) in maintenance-free polygon design.

The coated hub with its four-side polygon profile together with laminated pulleys made of aluminium die cast is used in millions of applications in mechanical and system engineering worldwide.

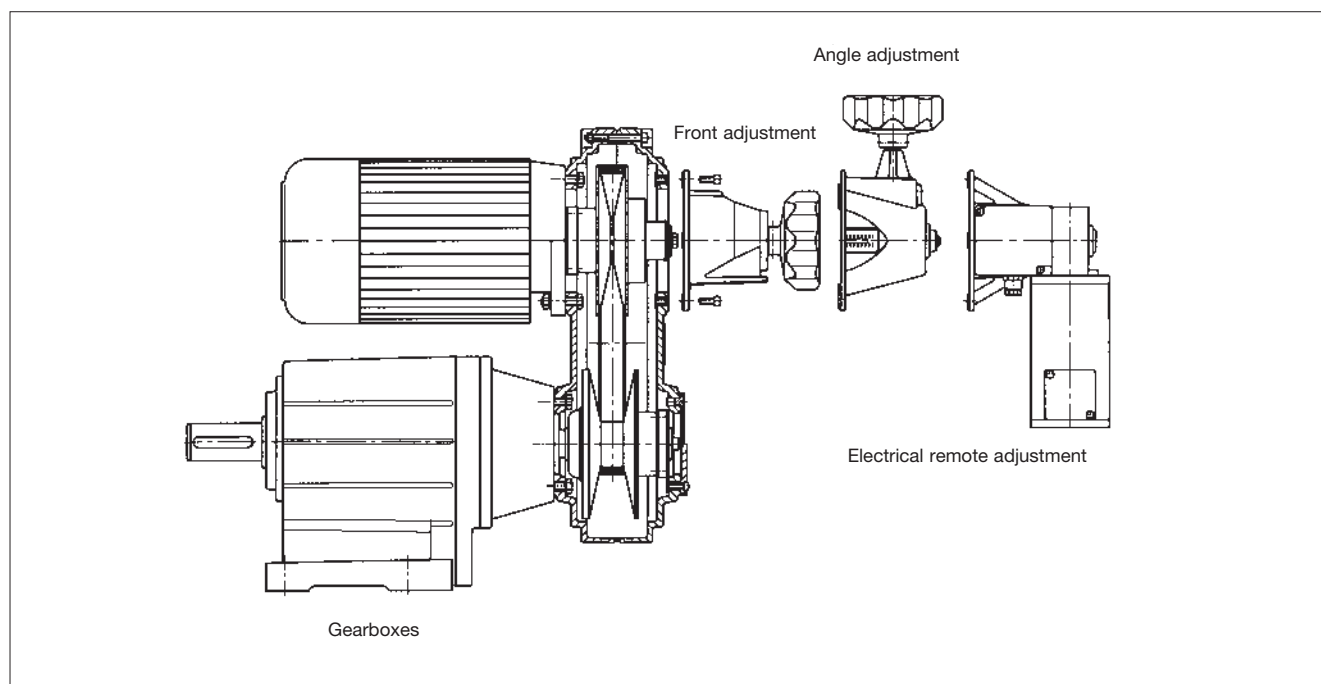
Advantages:

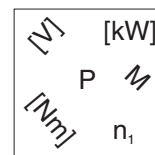
- High torque transmission surfaces, i.e. low surface pressure
- Self-centering through symmetrical backlash compensation, i.e. no tilting of disc-type pulleys
- Even profile edges, i.e. smooth running and low noise generation
- Maintenance free pulleys
- Long service life

The pretension required for power transmission is generated by rotation-symmetrical helical springs. All rotating parts are made of corrosion-resistant material and enable application even under difficult environmental conditions. As option for extreme conditions, a version with an especially coated belt running surface is available.

The great variety of helical, helical worm and helical bevel gearboxes in foot, flange, hollow shaft and hollow shaft flange design ensures speed derating for the entire modular system offered by Lenze.

Various adjustment possibilities like front, angle or electrical remote adjustment as well as speed display through handwheels with position indicator or electrical speed measuring systems ensure optimum adaptation to all applications.





Symbols used in this catalog

α		Angle of radial force	M_r	[Nm]	Rated torque
c		Load capacity of gearboxes/geared motors	M_A	[Nm]	Motor starting torque
d_w	[mm]	Effective diameter of the transmission element	M_B	[Nm]	Holding torque – brake
cos φ		Power factor - motor	M_{cont}	[Nm]	Continuous torque
cos φ_N		Power factor - asynchronous motor	M_{stall}	[Nm]	Motor stalling torque
F_a	[N]	Applied axial force	M_I		Maximum torque factor
F_{a perm}	[N]	Permissible axial force	M_{max}	[Nm]	Max. torque
F_{a Tab}	[N]	Table value of axial force	M_{perm}	[Nm]	Permissible torque
f_{ch}	[kHz]	Chopper frequency	n_1	[min ⁻¹]	Input speed
f_d	[Hz]	Field frequency	n_2	[min ⁻¹]	Output speed
F_l		Mass acceleration factor	n_r	[min ⁻¹]	Rated speed
f_{max}	[Hz]	Max. frequency set	n_{max}	[min ⁻¹]	Max. speed
f_N	[Hz]	Rated frequency	P_1	[kW]	Input power
F_r	[N]	Applied radial force	P_2	[kW]	Output power
F_{r Tab}	[N]	Table value of radial force	P_r	[kW]	Rated power
F_{r perm}	[N]	Permissible radial force	P_{loss}	[kW]	Inverter power loss
f_w		Load application factor of applied radial force	R	[Ω]	Resistance
f_{α}		Effective direction factor of applied radial force	S_r	[kW]	Inverter output power
f_z		Additional radial force factor of the transmission element	T_{amb}	[°C]	Ambient temperature
i		Ratio	V_{DC}	[V]	DC-bus voltage
φ		Ratio step	V_r	[V]	Rated voltage
η		Mechanical efficiency	V_{mains}	[V]	Mains voltage
I₀	[A]	Continuous standstill current	IP		International protection code
I_A	[A]	Starting current	IEC		International Electrotechnical Commission
I_{max}	[A]	Max. output current	DIN		Deutsches Institut für Normung
I_N	[A]	Rated current	VDE		Verband deutscher Elektrotechniker
I_{mains}	[A]	Rated mains current	USDA		United States Department of Agriculture
J_{ext}	[kgm ²]	Moment of inertia of machine to be driven reduced to motor shaft	NEMA		National Electrical Manufacturers Association
J_{load}	[kgm ²]	Torque of load machine	AC		Alternating current/voltage
J_{mot}	[kgm ²]	Motor moment of inertia	DC		Direct current/voltage
J_A	[kgm ²]	Moment of inertia of the drive reduced to input shaft	EMC		Electromagnetic compatibility
J_B	[kgm ²]	Moment of inertia of brake	EN		European Standard
k		Operating factor (according to DIN 3990)	CE		Communauté Européene
L	[mH]	Inductance	IM		International Mounting Code
m	[kg]	Mass			
M₀	[Nm]	Continuous standstill torque			
M₁	[Nm]	Input torque			
M₂	[Nm]	Output torque			



Definitions

Basics about the data indicated in this catalog

1 Power, torque and speed

The data indicated in this catalog are rounded values and apply to

- operating time/day = 8h (100% duty time)
- load class I with 10 switchings/h
- mounting positions and designs indicated in this catalog
- standard lubricant
- $f_{\text{mains}} = 50$ Hz constant
- $T_{\text{amb}} = 20$ °C for gearboxes
40 °C for motors (to VDE 0530)
- installation height ≤ 1000 m amsl

The rated power indicated for motors and geared motors is valid for duty cycle S1 to VDE 0530 part 1 / DIN 57530 part 1.

The values indicated may change under different application conditions. In case of extreme application conditions, please contact your nearest Lenze representative.

Rated point

The rated point is the point where speed and torque provide the max. required permanent power. The drive is rated with these values.

Operating factor k (to DIN 3990)

The operating factor considers the effectively changing loads during the running time planned for gearboxes and geared motors.

k depends on

- type of load,
- intensity of load,
- temporary influences.



For quick and correct delivery we need complete order information. The following check list and description of the order process help you to provide all information required.

Check list

For fast and correct delivery we need the following information:

- Your address and order data.
- Our product key of the products listed in this catalog.
- Your delivery data, such as delivery date and address.

How to order

Use the following step-by-step check list to find out all the information required for your order. Ordering of your tailor-made drive is then very easy.

- Copy order form.
See chapter 7.
- Enter order data.
- Send or fax the order form to the nearest Lenze branch office. A list of all Lenze branch offices and subsidiaries can be obtained from the last page.

Delivery

- All components are individually packed and checked before delivery.
- Orders are subject to the general terms of sale and delivery of Lenze Drive Systems GmbH.
 - Terms of delivery: Ex works according to your packing requirements, packing not included.



Order information

1 Step-by-step to your drive

→ Cross reference

⇨ Information

- 1.** Select drive system
 → Chapter **Selection**
 ⇨ Power, speed, operating factor, forces, circumferential backlash
- 2.** Select gearbox type, size, ratio step and drive size
 → **Product key, selection table**
 ⇨ Design, ratio
Example: GST06-2K 090-32 13 C
 (without options)
- 3.** Select output design
 → **Product key, dimensions**
 ⇨ Design
Example: Solid shaft: V
 Housing with foot: **B**
 Output without flange: **R**
- 4.** Select position of system modules and mounting position
 → **Product key**
Example:
 Terminal box in position **5**
 Motor in position **6**
 Variable speed drive in position **2**
 Mounting position **A**
- 5.** Select colour
 → **Example:**
 Varnish RAL 7012
- 6.** Options
 → **Options gearbox, variable speed drive, motor**

Pcs. i =

1 2 V A R Motor frame size Compact unit size

GST **GKS** - H B K -

GSS 3 S C L 4

Position of system modules (mark non defined positions with 0)

Shaft <input type="text" value="0"/>	Flange <input type="text" value="0"/>	Terminal box <input type="text" value="0"/>	Motor <input type="text" value="1"/>	Variable speed belt drive <input checked="" type="checkbox"/> 2	Mounting position <input checked="" type="checkbox"/> A
<input type="text" value="1"/>	<input type="text" value="3"/>	<input type="text" value="2"/>	<input checked="" type="checkbox"/> 6	<input type="text" value="3"/>	<input type="text" value="B"/>
<input type="text" value="3"/>	<input type="text" value="4"/>	<input type="text" value="3"/>		<input type="text" value="4"/>	<input type="text" value="C"/>
<input type="text" value="5"/>	<input type="text" value="5"/>	<input type="text" value="4"/>		<input type="text" value="5"/>	<input type="text" value="D"/>
<input type="text" value="6"/>	<input type="text" value="6"/>	<input checked="" type="checkbox"/> 5			<input type="text" value="E"/>
					<input type="text" value="F"/>

Dimensions H Hollow shaft d H7 = mm

K L Flange diameter a2 = mm

Colour Varnish RAL 7012 Primer varnish grey

Options gearbox

Options compact unit

Options motor



Rated point (P_1 , M_2 , n_2)

The rated point is determined by the maximum drive power required over the entire speed-torque range. The rated point is at n_{2max} if the torque requirement is constant over the speed.

Rated point at n_{2max} (50 Hz)

Features:

- Large speed setting range
- 200 % maximum torque at n_{2min} for a short time (Caution: Corresponds to multiplied rated torque!)
- Good self ventilation of the motor because of constant motor speed at mains frequency.

Technical data:

- Variable speed drives are designed for applications which require only few switching operations. For more switching operation applications, please contact Lenze.
- The values for M_2 (at n_{2min}) indicated in the selection tables can be exceeded if the drive is not selected correctly.
- For extreme application conditions (temperature, humidity and dust), please contact Lenze.



Selection

Disco

1. Determination of the required load capacity

Determine required torque M_2 and speed n_2 at output

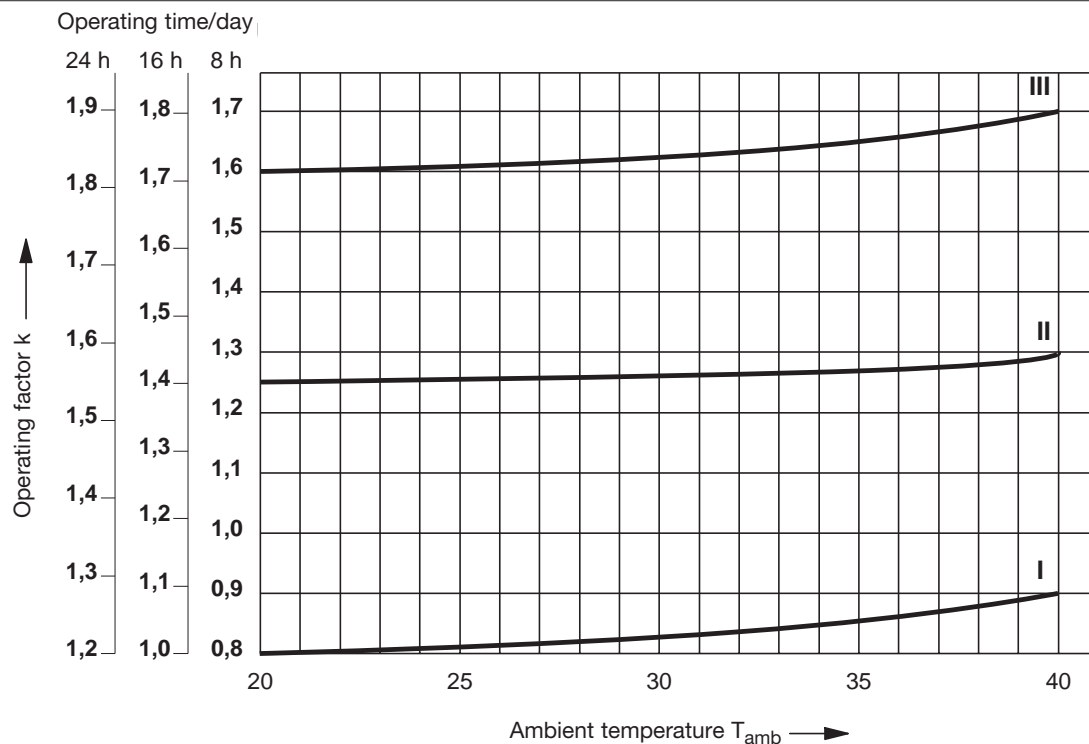
Calculate required motor power $P_1 = \frac{M_2 \cdot n_2}{9550 \cdot \eta}$

Determination of load class:

Load class	Type of load
I	Regular operation, virtually shock-free
II	Irregular operation, moderate shocks
III	Irregular operation, heavy shocks and/or changing load and/or changing load

Determination of temporary influences: – Operating time/day – ambient temperature

Determination of operating factor k of the machine by means of the diagram



Requirement for gearboxes: $M_{2 \text{ perm}} \text{ (selection table)} \geq M_2 \cdot k$



1. Determination of the required load capacity

Determine required torque M_2 and speed n_2 at output

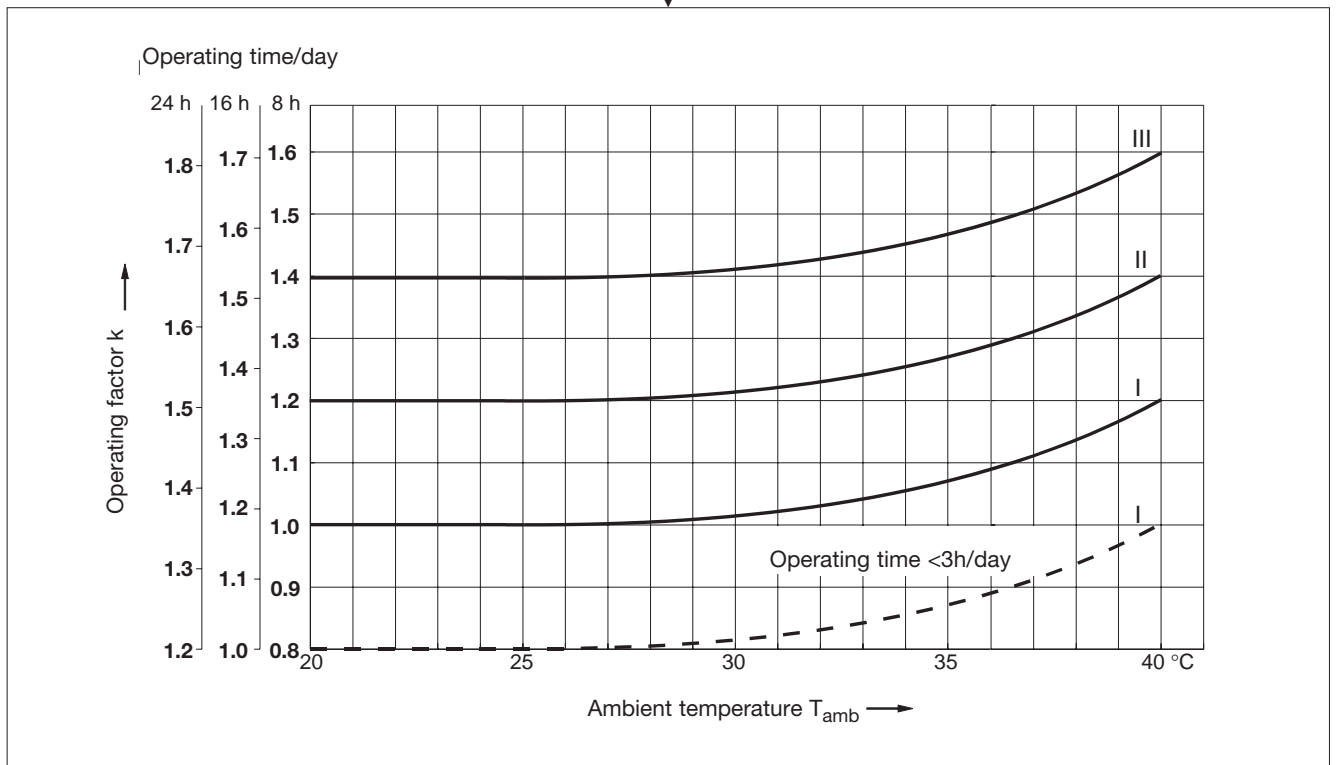
Calculate required motor power $P_1 = \frac{M_2 \cdot n_2}{9550 \cdot \eta}$

1. Determination of the required load capacity

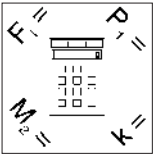
Load class	Type of load
I	Regular operation, virtually shock-free
II	Irregular operation, moderate shocks
III	Irregular operation, heavy shocks and/or changing load and/or changing load

Determination of temporary influences: – Operating time/day – ambient temperature

Determination of operating factor k of the machine by means of the diagram



Requirement for gearboxes: $M_{2 \text{ perm}} \text{ (selection table)} \geq M_2 \cdot k$



Drive selection

2. Determination of axial and radial forces acting on the gearbox shaft

Calculation of axial and radial forces available

Rough calculation of radial forces:

$$F_r = 2000 \cdot \frac{M_2 \cdot f_z}{d_w [\text{mm}]}$$

f_z	Transmission element
1.12	Toothed wheels
1.25 ... 1.4	Chain wheels
1.5	Crown gears
1.5 ... 2.0	Small V-belt pulleys depending on pretension

Required:

- $F_{r \text{ perm}} \geq F_r$
($F_{r \text{ perm}}$ from helical gearbox data)
- $F_{a \text{ perm}} \geq F_a$
($F_{a \text{ perm}}$ from helical gearbox data)

Technical data

DISCO variable speed drive

General data	3-2
Mechanical efficiency	3-2
Rated data	3-3
Maximum input speed	3-3
Permissible radial and axial forces - input	3-3
Attachments	
Speed adjusters	3-4
Speed measurement instruments	3-5
Position of breather, oil filler plug and oil drain plug	3-6

Compact unit

General data	3-7
Rated data	3-7
Attachments	
Speed adjusters	3-8
Speed measurement instruments	3-9

Gearboxes

Sizes	3-10
Basic designs	3-10
Options	3-11
Thermal power limit	3-12
Permissible radial and axial forces - output	
Helical gearboxes	3-13
Helical-bevel gearboxes	3-16
Helical-worm gearboxes	3-18
Position of breather, oil filler plug and oil drain plug	3-20
Gearboxes with compensators	3-24

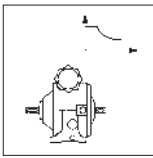
AC motors

General data	3-26
Power derating	3-26
Influence of rated data	3-27
Standard motors for DISCO variable speed drives	3-28
Standard motors for compact units	3-28
Rated data	3-29
Spring-operated brake	3-30

Weights

DISCO variable speed drive	
with helical gearbox	3-32
with helical-bevel gearbox	3-34
with helical-worm gearbox	3-35
without gearbox	3-36

Compact unit	
with helical gearbox	3-37
with helical-bevel gearbox	3-40
with helical-worm gearbox	3-41



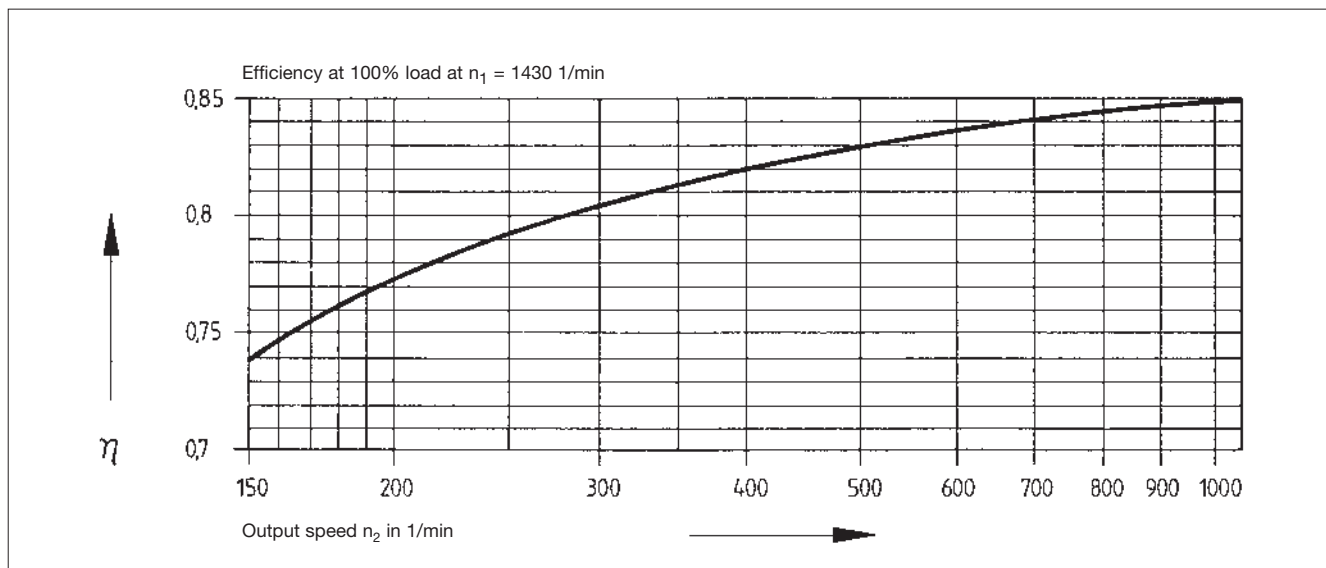
Technical data

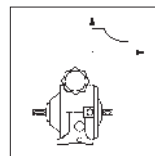
DISCO variable speed drive

General data

Housing	Design	Oil check by means of sight glass
	Material	Aluminium die cast or cast iron – depending on size
Input shaft	Design	with key to DIN 6885, sheet 1
	Tolerance	k6
	Material	Tempered steel C45
Output shaft	Design	with key to DIN 6885, sheet 1
	Tolerance	k6
	Material	Tempered steel C45
Shaft seals	Design	with additional dust protection
	Material	NB/FP
Bearing – input shaft	Design	Input: Ball bearing
		Output: Ball bearing or needle roller bearing – depending on size
Bearing – output shaft	Design	Input: Ball bearing
Friction parts	Material	Roller bearing steel 100 Cr 6 ; hardened
Lubricants	Design	DISCO – life lubrication
	Filling quantities	according to mounting position > Operating Instructions
Temperature range		-15° to +40°C ambient temperature
Noises		DISCO variable speed drives are below the emission values to VDE directive 2159

Mechanical efficiency





Rated data

Size	$n_1 = 3000$ [min ⁻¹]		$n_1 = 1500$ [min ⁻¹]		$n_1 = 1000$ [min ⁻¹]		$n_1 = 750$ [min ⁻¹]		
02	$P_1^*)$ n_2 M_2	0.37 1860-310 1.6-3.2		0.25 930-155 2-4		0.18 600-100 2-4		0.12 450-75 2-4	
03	P_1 n_2 M_2	0.55 1920-335 2.2-4.4	0.37 1920-335 1.5-4.4	0.37 950-165 3-6		0.25 630-110 3-6		0.18 460-80 3-6	
04	P_1 n_2 M_2	1.1 1920-335 4.5-9	0.75 1920-335 3-9	0.75 950-165 6-12	0.55 950-165 4.5-12	0.55 630-110 6-12	0.37 630-110 4.5-12	0.37 460-80 6-12	0.25 460-80 4.5-12
05	P_1 n_2 M_2	2.2 1920-335 9-18	1.5 1920-335 6-18	1.5 950-165 12-24	1.1 950-165 9-24	1.1 630-110 12-24	0.75 630-110 9-24	0.75 460-80 12-24	0.55 460-80 9-24
06	P_1 n_2 M_2			3 1000-175 22-44	2.2 1000-175 17.5-44	2.2 660-115 22-44	1.5 660-115 17.5-44	1.5 490-85 22-44	1.1 490-85 17.5-44
07	P_1 n_2 M_2			4 1000-175 32-64		3 660-115 32-64		2.2 490-85 32-64	
08/18*)	P_1 n_2 M_2			7.5 1000-200 58-116	5.5 1000-200 45-90	5.5 660-130 58-116	4 660-130 45-90	4 490-100 58-116	3 490-100 45-90

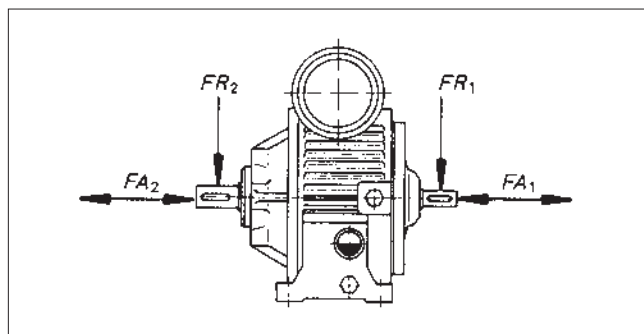
P_1 = Input power in [kW]
 n_1 = Output speed in 1/min
 n_2 = Output speed in 1/min
 M_2 = Maximum input speed Nm

Maximum input speed n_1

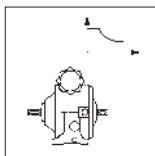
Size	02	03	04	05	06	07	08/18
n_1 max. [min ⁻¹]	3600	3600	3600	1800*	1800	1800	1800

* with free input shaft

Permissible radial and axial forces



Size	Input		Output	
	FA_1 N	FR_1 N	FA_2 N	FR_2 N
02	300	300	400	400
03	450	450	700	700
04	700	700	1200	1200
05	1000	1000	1700	1700
06/07	1500	1500	2300	2300
18/08	1800	1800	3500	3500



Technical data

DISCO variable speed drive

Attachments – Speed adjusters

Designs

Name	Handwheel adjustment (Standard)	Bevel adjustment (Option)	Electrical remote adjustment (Option)
Design	Handwheel – impact strong plastic	Handwheel – impact strong plastic	Actuating motor – three-phase AC asynchr. – technical data, see below
Layout	– parallel-axial to spindle axis	– rectangular to spindle axis	– rectangular to spindle axis

3 Technical data, actuating motor (for electrical remote adjustment)

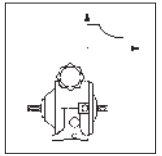
Disco Size	P ₁ [kW]	N ₁ [min ⁻¹]	Voltage / frequency [V]	Rated current [I]	Type of protection	Thermal class	Ratio small gearboxes	Time [s]
02	0.012	1350	Δ 220–240 V/50 HZ Y 380–415 V/50 HZ	0.18 0.1	IP 54	F	20 60	10 30
03	0.012	1350	Δ 220–240 V/50 HZ Y 380–415 V/50 HZ	0.18 0.1	IP 54	F	20 60	13 40
04	0.060	1350	Δ 220–240 V/50 HZ Y 380–415 V/50 HZ	0.4 0.23	IP 54	F	20 55	15 40
05	0.060	1350	Δ 220–240 V/50 HZ Y 380–415 V/50 HZ	0.4 0.23	IP 54	F	20 55	17 47
06/07	0.060	1350	Δ 220–240 V/50 HZ Y 380–415 V/50 HZ	0.4 0.23	IP 54	F	20 55	19 47
08	0.18	1350	Δ 220–240 V/50 HZ Y 380–415 V/50 HZ	0.94 0.55	IP 54	F	40 80	50 100

Speed deviations for DISCO size 06 . . . 18/08 with electrical adjustment

DISCO Size	Input speed n ₁ [min ⁻¹]		
	1500	1000	750
	Output speed n ₂ [min ⁻¹]		
06/07	980–190	645–125	480–95
18/08	965–220	635–145	475–110

Position indicator in handwheel: Scaling

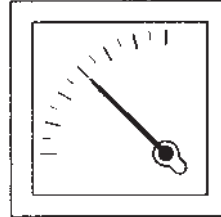
DISCO size	02	03	04/05	06/07	18/08
Scaling	12	18	24	24	36

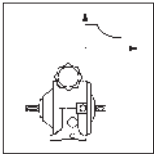


Attachments – Speed measurement instruments

Designs:

Name	Electrical remote adjustment with potentiometer
Design	– Potentiometer in the limit switch box of the electrical remote control
Connection voltage	– (Current supply through mains connection of the electrical remote adjustment)
Signal voltage	> 10 V (DC)
Speed display – Suitable for control cabinet mounting	Analog display – Mounting to the back side of the encoder input – Scaling in [V], adjustable



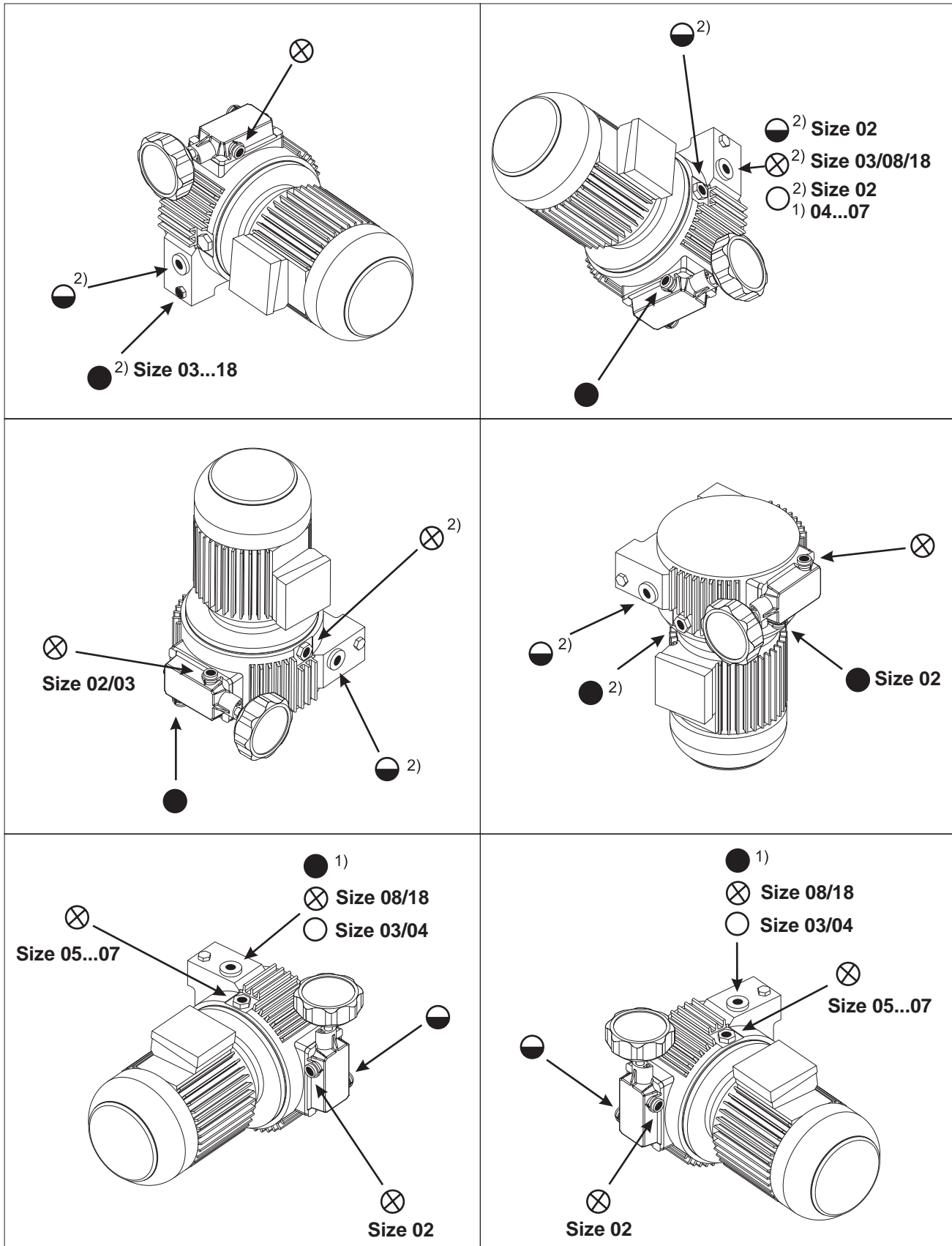


Technical data

Disco variable speed drive

Position of breather, oil filler plug and oil drain plug

3



○ Oil filling for gearbox without breather

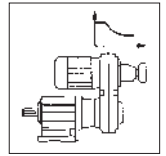
⊗ Breather/oil filler plug

● Oil drain plug

◐ Oil check

1) Opposite at the housing

2) For other handwheel positions, the positions are opposite at the housing



General data

Housing	Design	Oval, separated
	Material	Aluminium die cast or grey cast – depending on size
Hub	Design	Coated, Polygon profile
	Material	St52-3K, Polyamide coated
Variable speed pulleys	Design	Self centering, belt pre-tension by spring and disc springs
	Material	Aluminium die cast
Belt	Design	Variable speed belt in sandwich design
	Material	Compound material, electrically conductive to ISO1813
Mechanical efficiency	at rated point	$0.79 \leq \eta \leq 0.85$
Temperature range		-20 to +40 °C ambient temperature
Noises		Lenze compact units fall below the emission values stated in the VDE directive 2159

Rated data

Variable speed belt drive size	P_{2perm} ($n_2 \text{ min} \cdot n_2 \text{ max}$) [kW]	$n_2 \text{ min} \cdot n_2 \text{ max}$ ($n_1 = 1400/\text{min}$) [1/min]	Setting range	Variable speed belt b x h [mm x mm]	J [10^{-3} kgm^2]
10	0.2..0.35	600-3320	5.8	14 x 5	0.5
13/14	0.5..1.3	620-3285	5.5	22 x 6	4.0
16	1.1..2.6	580-3540	6.3	28 x 8	6.5
20/21	1.7..4.7	565-3675	6.7	37 x 10	17
25/26	3.5..9.4	570-3725	6.7	47 x 13	47
31	7.1..18.5	570-3780	6.7	55 x 16	147
40	12..40	485-2740	5.7	72 x 22	350

Observe the thermal limit of the gearbox when using variable speed belt drive sizes

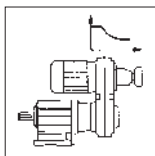
25G

31G

40H

in mounting position C (see page 3-11)

Please contact Lenze.

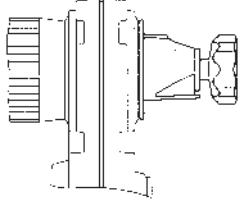
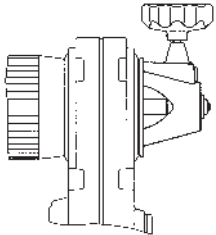
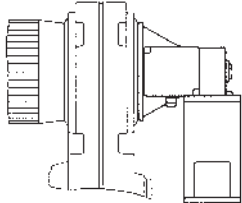


Technical data

Compact unit

Attachments – Speed adjusters

Designs:

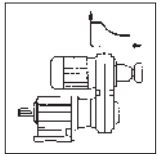
Name	Front adjustment	Angle adjustment	Electrical remote adjustment
	(Standard)	(Option)	(Option)
Principle drawing			
Design	Handwheel – impact strong plastic – variable speed belt drive size 40: Aluminium	Handwheel – impact strong plastic	Actuating motor – three-phase asynchronous – technical data, see below
Layout	– parallel-axial to variable speed pulley axis	– rectangular to variable speed pulley axis	– rectangular to variable speed pulley axis
Simple position indication	– in the housing of the adjuster	– in the housing of the adjuster	–
Combination possibility with variable speed belt drive size	10...40	10...31	10...40

Technical data – Variable speed drive (for electrical remote control):

Variable speed belt drive	P1 [kW]	n1 [1/min]	Voltage/frequency	Enclosure	Thermal class	Ratio small drives	Adjustment time [s]
10	0.012	1350	Δ 220-240V / 50 Hz	IP 54	F	60	approx. 15
13/14			Y 380-415V / 50 Hz				approx. 22
16	0.060	1350	Δ 220-240V / 50 Hz	IP 54	F	55	approx. 26
20/21			Y 380-415V / 50 Hz				approx. 35
25/26	0.060	1350	Δ 220-240V / 50 Hz	IP 54	F	50	approx. 40
31			Y 380-415V / 50 Hz				approx. 50
40	0.180	1350	Δ 220-240V / 50 Hz Y 380-415V / 50 Hz	IP 54	F	50	approx. 64

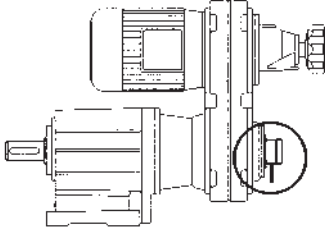
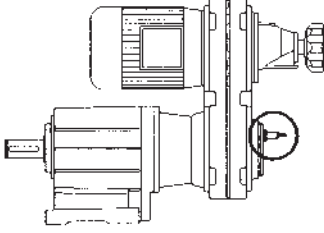
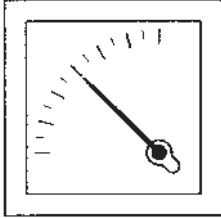
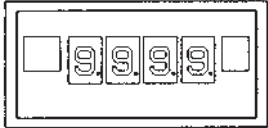
Position indicator in handwheel: Scaling

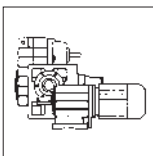
Variable speed-belt drive	10	13/14	16	20/21	25/26	31	40
Scaling	1..12	1..12	1..18	1..18	1..24	1..24	1..36



Attachments – Speed measuring instrument

Designs:

Name	DC speed encoder	Pulse encoder
Principle drawing		
Design	<ul style="list-style-type: none"> - Speed encoder at output shaft of variable speed belt drive (input shaft speed transforming gear) - Cable length 1 m 	<ul style="list-style-type: none"> - Speed encoder at output shaft of variable speed belt drive (input shaft speed transforming gear) - Cable length 2.5 m (max. cable length 300 m)
Standards and regulations	see motors	DIN 19234 / NAMUR
Connection voltage	- (Generator)	8.2 V ± 0.5 V (R _i = 1kOhm ± 50 Ohm) Important: Lenze display units ensure voltage supply
Signal voltage	Analog n _{2 min} : approx. 3 V n _{2 max} : approx. 20 V (for R -> infinite)	Digital 4 pulses/rev. > 1.2 V
Speed displays - Suitable for mounting in control cabinets	Analog display - Rear-side encoder input - Scaling in [V], adjustable 	Digital display - Rear-side encoder output/input - 4-digit display - Display adjustable 
Combination possibilities with variable speed belt drive sizes	10...31	10...40



Technical data

Gearboxes

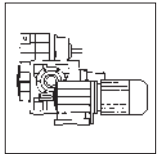
Sizes

Gearbox family	Product key	Gearbox size						
		04	05	06	07	09	11	14
Helical gearbox	GST	•	•	•	•	•	•	•
Helical-bevel gearbox	GKS	•	•	•	•	•	•	•
Helical-worm gearbox	GSS	•	•	•	•			

Basic designs

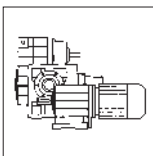
3

				GST - 1	GST - 2 GST - 3	GKS - 3 GKS - 4	GSS - 2 GSS - 3
Input design		Product key					
DISCO variable speed drive		D		0.25...7.5kW			
Compact unit		K		0.25...18.5kW	0.25...45kW		
Output design							
Shaft							
Solid shaft		V	Gearbox size	d x l [mm x mm]			
			04	16 x 32	20 x 40	25 x 50	25 x 50
			05	20 x 40	25 x 50	30 x 60	30 x 60
			06	25 x 50	30 x 60	40 x 80	40 x 80
			07	30 x 60	40 x 80	50 x 100	50 x 100
			09	40 x 80	50 x 100	60 x 120	-
			11	-	60 x 120	80 x 160	-
			14	-	80 x 160	100 x 200	-
Hollow shaft with keyway (plugs at both ends)		H	Gearbox size	d [mm]			
			04	-	-	25 30	25 30
			05	-	-	30 35	30 35
			06	-	-	40 45	40 45
			07	-	-	50 55	50 55
			09	-	-	60 70	-
			11	-	-	70 80	-
			14	-	-	100	-
Housing							
With feet and pitch circle with centering		A B		-	-	Feet in positions 2, 4 and 6 Pitch circle in position 3 and 5	
Design with feet		B		•	•	-	-
Design with pitch circle with centering		C		•	•	-	-
Output							
Without additional flange		R		•	•	•	•
Colour							
Coat		RAL 7012		•	•	•	•
Primer coat		Grey		•	•	•	•
Lubricant		Mineral lubricant Synthetic lubricant		CLP 460 -	CLP 460 -	CLP 460 -	- PGLP 680
Breather element sizes 09 ... 14				•	•	•	-



Options

		GST - 1	GST - 2 GST - 3	GKS - 3 GKS - 4	GSS - 2 GSS - 3
Input design	Product key				
DISCO variable speed drive	D				Information page 3-2
Compact unit	K				Information page 3-6
Output design					
Shaft					
Reinforced shaft bearing	V		•	F _{max} -drive on request	F _{max} -drive on request
2nd solid shaft end	V			•	•
Hollow shaft with shrink disc	S	Gearbox size	d [mm]		
		04	-	-	25
		05	-	-	30
		06	-	-	40
		07	-	-	50
		09	-	-	60
		11	-	-	80
		14	-	-	100
Housing					
With feet and pitch circle with centering	A		•	•	-
Pitch circle without centering	B		•	•	-
Output					
With additional flange	K		•	•	in position 3 and 5
With additional flange with threaded bores	L		-	Housing design A	-
Dimensions in [mm] for gearbox size		04	120 140 160	120 140 160	160
		05	120 140 160 200	120 140 160 200	200
		06	160 200	160 200	200 250
		07	200 250	200 250	250 300
		09	250 300	250 300	350
		11	-	300 350	400 450
		14	-	350 400	450
Colour					
Special varnish	Indicate RAL number		•	•	•
Lubricant					
Synthetic lubricant	CLP HC 320		•	•	-
Food concenitive	CLP H1 220		•	•	Torque reduction $M2_{\text{perm}} = M2_{\text{perm}} \cdot 0.8$
Additional options					
Rubber buffer set for torque plate			-	-	-
Torque plate at pitch circle			-	-	Gearbox size 04...07
Torque plate at housing foot incl. rubber buffer set			-	-	•
Shrink disc cover			-	-	•
Hollow shaft cover – jet-proof			-	-	•
Shaft seal rings FP (Viton)			•	•	•
Breather element gearbox sizes 05...07			•	•	•
Compensator gearbox sizes 09...14			-	•	-



Technical data

Gearboxes

Thermal limit rating

The permissible continuous gearbox power is limited by

- the mechanical power, determined by the components' material, or,
- the thermal limit power, determined by the thermal conditions

The thermal limit can be below the mechanical power indicated in the selection tables.

The thermal limit power is influenced by

- churning losses in the lubricant. They are determined by the mounting position and the circumferential speed of the gears.
- the load and speed profile
- the ambient conditions: temperature, air circulation, heat transfer at the shafts and housings

3

Please contact Lenze, if
– you use one of the following combinations of gearbox design, size and ratio:

Gearbox design	Gearbox sizes	Ratios $i \leq$	Mounting positions
Helical gearboxes GST	07, 09, 11, 14	10	C and D
Low-profile gearboxes GFL	09, 11, 14	16	C and D
Helical-bevel gearboxes GKS	09, 11, 14	25	C and D

Possible measures to extend the range of applications

Measure	to be achieved by
Increase of the permissible temperature range of the gearbox	– Synthetic lubricant (option) – Shaft seals made of FP material / Viton (option)
Reduction of the power loss	– Synthetic lubricant (option) – Reduction of the lubricant quantity
Increased heat dissipation	– Possible air convection at the machine / system – Fan ventilation (e.g. air from the driving motor) – Oil cooling

Ventilated gearboxes

Gearbox sizes 04 to 07

Gearboxes of size 04 do not require any ventilation.

When using gearbox sizes 05 to 07, it is usually not necessary to provide special ventilation.

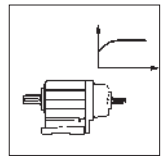
In some cases, e.g. for input speeds > 2000 1/min we recommend the use of breather elements. They are optionally available.

Gearbox sizes 09 to 14

These gearbox sizes are always equipped with breather elements.

Special measures for mounting position C (motor on top)

If you mount the gearbox sizes 09 to 14 in this mounting position, we recommend the use of an oil compensator. For figures and dimensions see page 3-23. The compensator is optionally available. The use of a compensator is not necessary when working with high ratios and low speeds. Please contact Lenze for more information.



Permissible radial and axial forces – helical gearboxes

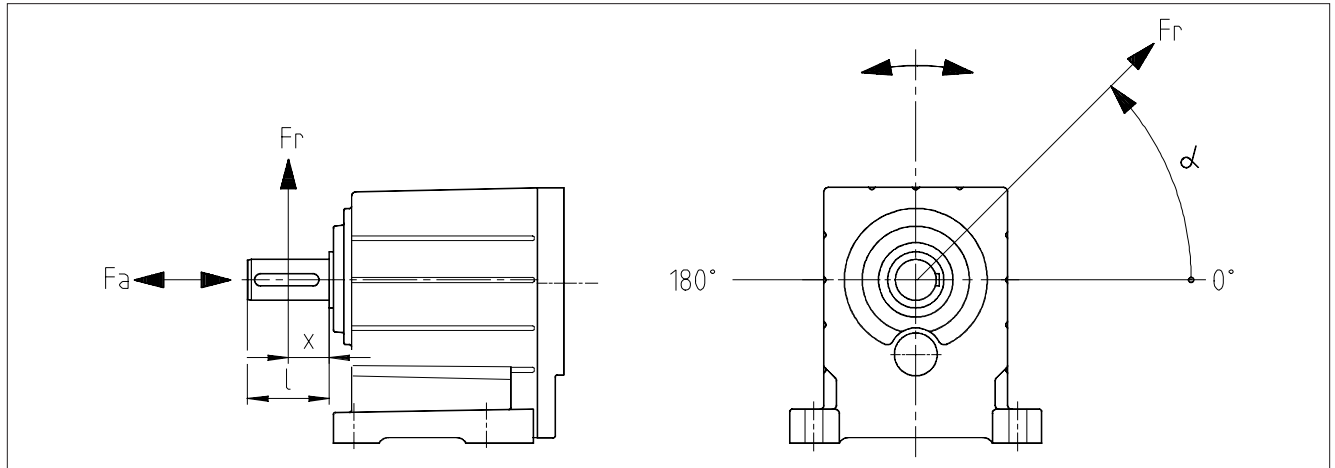
– Permissible radial force

$$F_{r \text{ perm}} = f_w \cdot f_\alpha \cdot F_{r \text{ Tab}} \leq f_w \cdot F_{r \text{ max}}$$

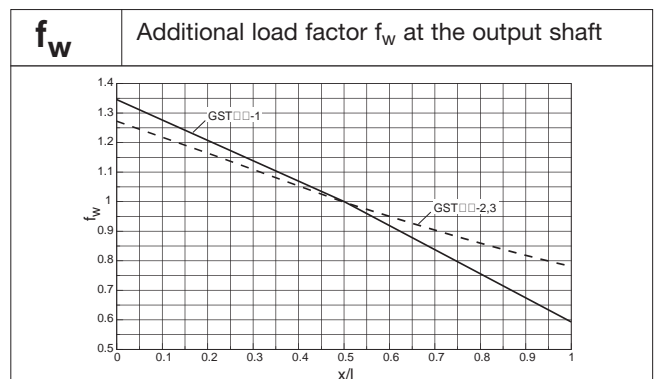
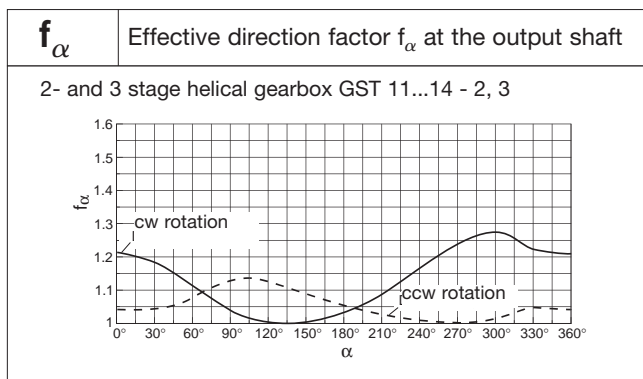
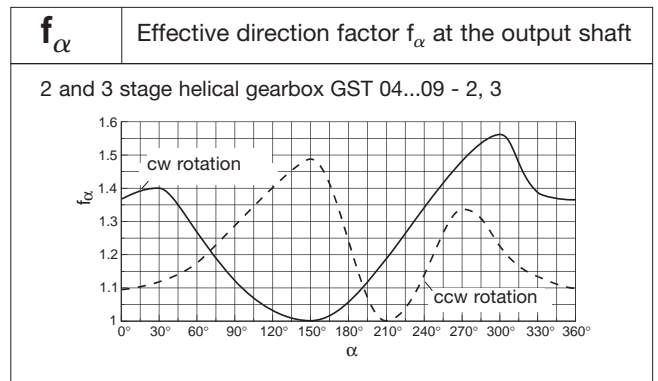
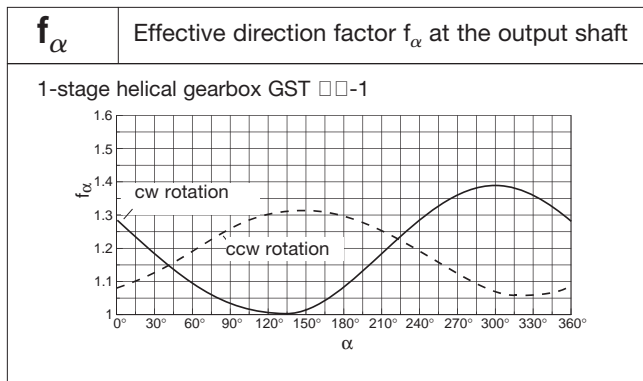
– Permissible axial force

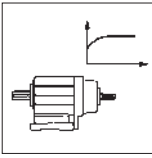
$$F_{a \text{ perm}} = F_{a \text{ Tab}} \quad \text{with } F_r = 0$$

Please contact Lenze if F_r and $F_a > 0$



3





Technical data

Gearboxes

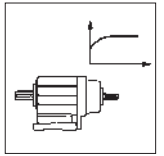
Permissible radial and axial forces – helical gearboxes

GST□□-1D (Feet on DISCO housing)

VCR	F _{r Tab} acts on the middle of the shaft (x = l/2) F _{a Tab} only valid if F _r = 0																	
	GST 04				GST 05				GST 06				GST 07					
	02C		03C		04D		03C		04D		05E		04D		05E		05E	
n ₂ [min ⁻¹]	F _{a Tab} [N]	F _{r Tab} [N]	F _{a Tab} [N]	F _{r Tab} [N]	F _{a Tab} [N]	F _{r Tab} [N]	F _{a Tab} [N]	F _{r Tab} [N]	F _{a Tab} [N]	F _{r Tab} [N]	F _{a Tab} [N]	F _{r Tab} [N]	F _{a Tab} [N]	F _{r Tab} [N]	F _{a Tab} [N]	F _{r Tab} [N]	F _{a Tab} [N]	F _{r Tab} [N]
1000	240	240	330	330	490	490	310	310	460	460	780	780	430	430	730	730	680	680
600	240	240	330	330	490	490	310	310	460	460	780	780	430	430	730	730	680	680
400	240	240	330	330	490	490	310	310	460	460	780	780	430	430	730	730	680	680
200	240	240	420	420	610	610	390	390	580	580	970	970	540	540	910	910	850	850
125	240	240	500	500	730	730	470	470	680	680	1170	1170	640	640	1100	1100	1020	1020
80	240	240	500	500	730	730	470	470	680	680	1170	1170	640	640	1100	1100	1020	1020
≤50	240	240	500	500	730	730	470	470	680	680	1170	1170	640	640	1100	1100	1020	1020
F _{r max.}	240	-	500	-	730	-	470	-	680	-	1170	-	640	-	1100	-	1020	-

GST □□-1

V □□	F _{r Tab} acts on the middle of the shaft (x = l/2) F _{a Tab} only valid if F _r = 0									
	GST 04		GST 05		GST 06		GST 07		GST 09	
	F _{r Tab} [N]	F _{a Tab} [N]	F _{r Tab} [N]	F _{a Tab} [N]	F _{r Tab} [N]	F _{a Tab} [N]	F _{r Tab} [N]	F _{a Tab} [N]	F _{r Tab} [N]	F _{a Tab} [N]
1000	440	1000	550	1400	800	1500	1200	2000	2500	4300
600	600	1300	750	2000	800	2000	1300	2700	2500	5700
400	850	1400	1400	2000	1100	2500	1900	3300	3500	6800
200	1050	1400	2000	2000	2200	2500	3000	3700	6200	7000
125	1050	1400	2300	2000	2900	2500	3900	3700	7900	7000
80	1050	1400	2300	2000	3500	2500	4700	3700	9000	7000
≤50	1050	1400	2300	2000	3500	2500	5300	3700	9500	7000
F _{r max.}	1050	-	2300	-	3500	-	5300	-	9500	-



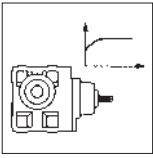
Permissible radial and axial forces – helical gearboxes

GST □□-2, 3 with standard bearing

V □□	F _{r Tab} acts on the middle of the shaft (x = l/2) F _{a Tab} only valid if F _r = 0													
	GST 04		GST 05		GST 06		GST 07		GST 09		GST 11		GST 14	
n ₂ [min ⁻¹]	F _{r Tab} [N]	F _{a Tab} [N]	F _{r Tab} [N]	F _{a Tab} [N]	F _{r Tab} [N]	F _{a Tab} [N]	F _{r Tab} [N]	F _{a Tab} [N]	F _{r Tab} [N]	F _{a Tab} [N]	F _{r Tab} [N]	F _{a Tab} [N]	F _{r Tab} [N]	F _{a Tab} [N]
400	1250	1100	1950	2000	2350	850	3400	1900	6800	2300	17000	9500	24000	15000
250	1450	1300	2200	2300	2600	900	3800	2200	7600	2800	19000	10000	27000	16000
160	1700	1650	2600	2650	3100	1250	4500	2900	9400	4000	21000	11000	31000	18000
100	2100	2000	3000	3100	3600	1800	5400	3900	11500	5600	21000	14000	36000	20000
63	2500	2000	3500	3600	4300	2600	6400	5300	11500	8900	21000	16000	39000	20000
40	2650	2000	3800	3600	4350	3600	7600	7000	11500	11000	21000	16000	40000	20000
25	2650	2000	3900	3600	4350	4800	9100	7000	11500	12000	21000	16000	40000	20000
<16	2650	2000	3900	3600	4350	4800	9500	7000	11500	12000	21000	16000	40000	20000
F _{r max.}	2650	–	3900	–	4350	–	9500	–	11500	–	21000	–	40000	–

GST □□-2, 3 with reinforced bearing

V □□	F _{r Tab} acts on the middle of the shaft (x = l/2) F _{a Tab} only valid if F _r = 0										GST 11	GST 14														
	GST 04		GST 05		GST 06		GST 07		GST 09																	
n ₂ [min ⁻¹]	F _{r Tab} [N]	F _{a Tab} [N]	F _{r Tab} [N]	F _{a Tab} [N]	F _{r Tab} [N]	F _{a Tab} [N]	F _{r Tab} [N]	F _{a Tab} [N]	F _{r Tab} [N]	F _{a Tab} [N]	The standard bearing corresponds to a reinforced bearing															
400	2850	1700	4900	3600	6300	3500	8500	5500	16500	8000			The standard bearing corresponds to a reinforced bearing													
250	3150	1900	5400	3900	7000	3600	9500	6100	17000	9000					The standard bearing corresponds to a reinforced bearing											
160	3550	2200	5400	4300	7700	4200	10500	7100	17000	10500							The standard bearing corresponds to a reinforced bearing									
100	3750	2500	5400	4500	7700	4900	12500	8300	17000	12500									The standard bearing corresponds to a reinforced bearing							
63	3750	2500	5400	4500	7700	5700	13000	9000	17000	14000											The standard bearing corresponds to a reinforced bearing					
40	3750	2500	5400	4500	7700	5700	13000	9000	17000	14000													The standard bearing corresponds to a reinforced bearing			
25	3750	2500	5400	4500	7700	5700	13000	9000	17000	14000															The standard bearing corresponds to a reinforced bearing	
< 16	3750	2500	5400	4500	7700	5700	13000	9000	17000	14000																
F _{r max.}	3750	–	5400	–	7700	–	13000	–	17000	–	The standard bearing corresponds to a reinforced bearing															



Technical data

Gearboxes

Permissible radial and axial forces – helical bevel gearboxes

– Permissible radial force

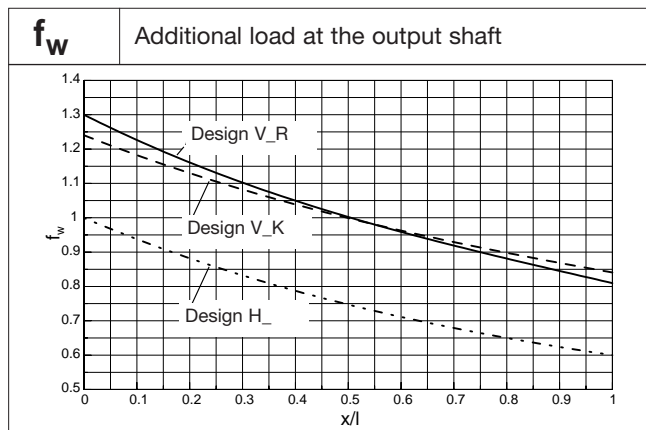
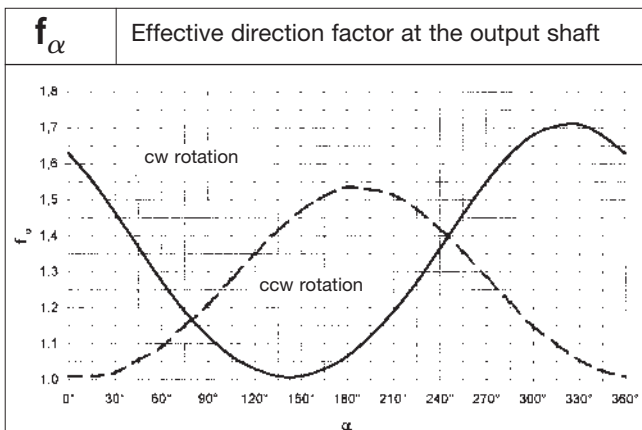
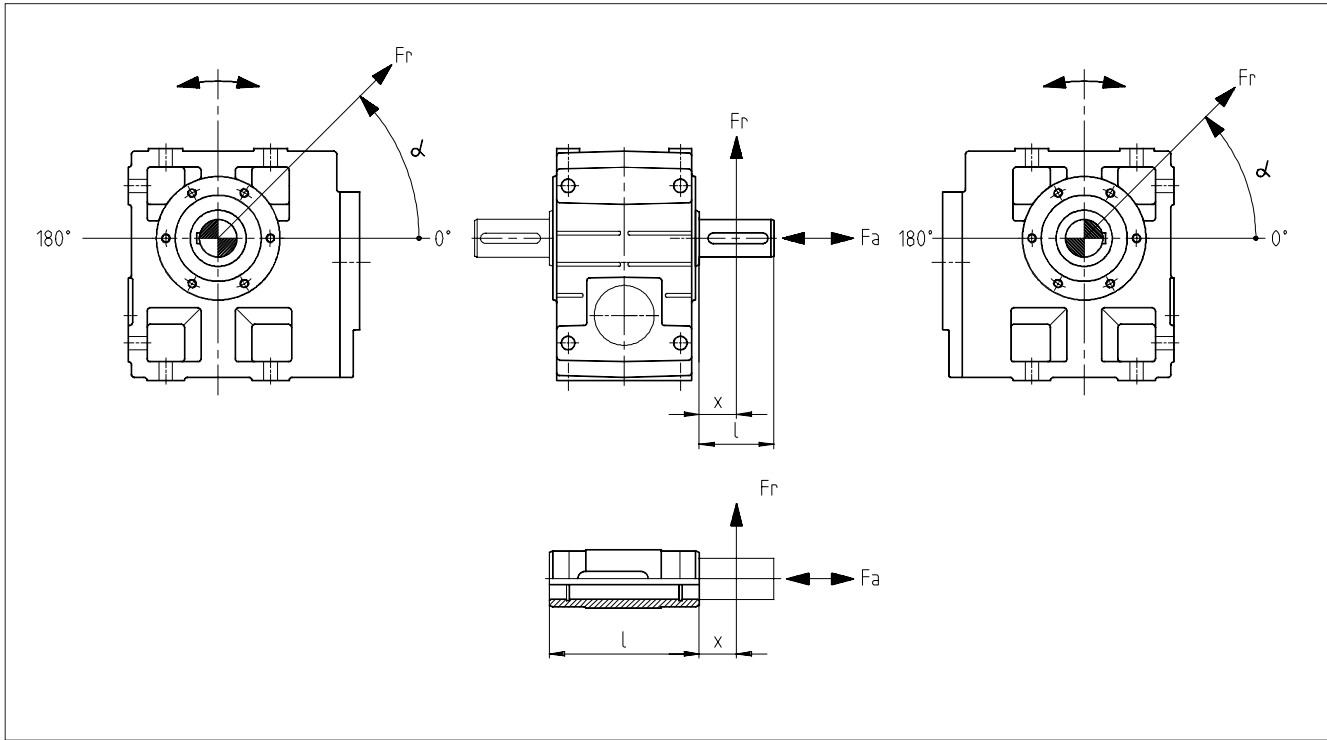
$$F_{r \text{ perm}} = f_w \cdot f_\alpha \cdot F_{r \text{ Tab}} \leq f_w \cdot F_{r \text{ max}}$$

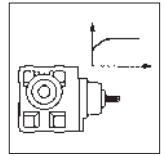
– Permissible axial force

$$F_{a \text{ perm}} = F_{a \text{ Tab}} \quad \text{with } F_r = 0$$

Please contact Lenze if F_r and $F_a < 0$

3





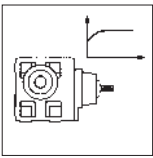
Permissible radial and axial forces – helical-bevel gearboxes

VAK	Solid shaft with flange F_r acts on the middle of the shaft ($x = l/2$) $F_{a Tab}$ only valid for $F_r = 0$													
	GKS 04		GKS 05		GKS 06		GKS 07		GKS 09		GKS 11		GKS 14	
n_2 [min ⁻¹]	$F_{r Tab}$ [N]	$F_{a Tab}$ [N]	$F_{r Tab}$ [N]	$F_{a Tab}$ [N]	$F_{r Tab}$ [N]	$F_{a Tab}$ [N]	$F_{r Tab}$ [N]	$F_{a Tab}$ [N]	$F_{r Tab}$ [N]	$F_{a Tab}$ [N]	$F_{r Tab}$ [N]	$F_{a Tab}$ [N]	$F_{r Tab}$ [N]	$F_{a Tab}$ [N]
400	3800	4200	4640	3630	6400	4660	7000	5700	9900	6000	14500	7000	20500	8400
250	4300	4400	5420	4440	7500	5880	8250	7000	10500	6600	16000	7500	23700	10000
160	4600	4400	6280	5420	8800	7320	9630	8500	12000	7600	17600	8500	27200	11500
100	4600	4400	7000	6600	9800	9230	11000	10400	14000	10000	21000	10500	31300	13000
63	4600	4400	7000	6600	10000	10000	13000	11500	15000	12000	24500	13000	35000	15000
40	4600	4400	7000	6600	10000	10000	14000	11500	15000	15000	28000	17500	41000	19000
25	4600	4400	7000	6600	10000	10000	14000	11500	15000	17000	30000	27000	43000	28000
≤ 16	4600	4400	7000	6600	10000	10000	14000	11500	15000	17000	30000	27000	43000	35000
$F_{r max}$	4600	-	7000	-	10000	-	14000	-	15000	-	30000	-	43000	-

V□R	Solid shaft without shaft F_r acts on the middle of the shaft ($x = l/2$) $F_{a Tab}$ only valid for $F_r = 0$													
	GKS 04		GKS 05		GKS 06		GKS 07		GKS 09		GKS 11		GKS 14	
n_2 [min ⁻¹]	$F_{r Tab}$ [N]	$F_{a Tab}$ [N]	$F_{r Tab}$ [N]	$F_{a Tab}$ [N]	$F_{r Tab}$ [N]	$F_{a Tab}$ [N]	$F_{r Tab}$ [N]	$F_{a Tab}$ [N]	$F_{r Tab}$ [N]	$F_{a Tab}$ [N]	$F_{r Tab}$ [N]	$F_{a Tab}$ [N]	$F_{r Tab}$ [N]	$F_{a Tab}$ [N]
400	3000	4200	2800	3500	3700	4440	4000	4900	6200	6500	7100	7000	57900	35000
250	3400	5000	3200	4240	4300	5580	4900	6230	6400	7400	7500	8000	61000	35000
160	3600	5500	3600	5090	4900	6930	5800	7820	7100	8000	8200	9200	64100	35000
100	3600	5500	4100	6160	5300	8710	6600	9940	8400	10500	10000	12000	65000	35000
63	3600	5500	4900	6600	6200	10000	8000	12600	9500	13000	11200	14500	65000	35000
40	3600	5500	5800	6600	7900	10000	9600	14000	11800	17000	13000	18500	65000	35000
25	3600	5500	5800	6600	9000	10000	12000	14000	16000	21000	19000	27000	65000	35000
≤ 16	3600	5500	5800	6600	9000	10000	12000	14000	18000	21000	23000	27000	65000	35000
$F_{r max}$	3600	-	5800	-	9000	-	12000	-	18000	-	23000	-	65000	-

H□□	Hollow shaft F_r acts on the middle of the shaft ($x = 0$) $F_{a Tab}$ only valid for $F_r = 0$													
	GKS 04		GKS 05		GKS 06		GKS 07		GKS 09		GKS 11		GKS 14	
n_2 [min ⁻¹]	$F_{r Tab}$ [N]	$F_{a Tab}$ [N]	$F_{r Tab}$ [N]	$F_{a Tab}$ [N]	$F_{r Tab}$ [N]	$F_{a Tab}$ [N]	$F_{r Tab}$ [N]	$F_{a Tab}$ [N]	$F_{r Tab}$ [N]	$F_{a Tab}$ [N]	$F_{r Tab}$ [N]	$F_{a Tab}$ [N]	$F_{r Tab}$ [N]	$F_{a Tab}$ [N]
400	3900	4200	3500	3500	4600	4440	5400	4900	7500	6500	9000	7000	15000	6000
250	4500	5000	4200	4240	5600	5580	6300	6230	8200	7400	10000	8000	15500	8000
160	5100	5500	4630	5090	6400	6930	7400	7820	9400	8000	11000	9200	16500	10000
100	5900	5500	5000	6160	7000	8710	8700	9940	10600	10500	14000	12000	17500	13000
63	6800	5500	6200	6600	8200	10000	10500	12600	12200	13000	16000	14500	18500	16000
40	7000	5500	7300	6600	10400	10000	12500	14000	15500	17000	18500	18500	21000	20000
25	7000	5500	7300	6600	12000	10000	15100	14000	21000	21000	25000	27000	28000	28000
≤ 16	7000	5500	7300	6600	12000	10000	16000	14000	24000	21000	30000	27000	40000	35000
$F_{r max}$	7000	-	7300	-	12000	-	16000	-	24000	-	30000	-	45000	-

For hollow shaft with shrink disc (S□□), radial and axial forces are not permissible.



Technical data

Gearboxes

Permissible radial and axial forces – helical worm gearboxes

– Permissible radial force

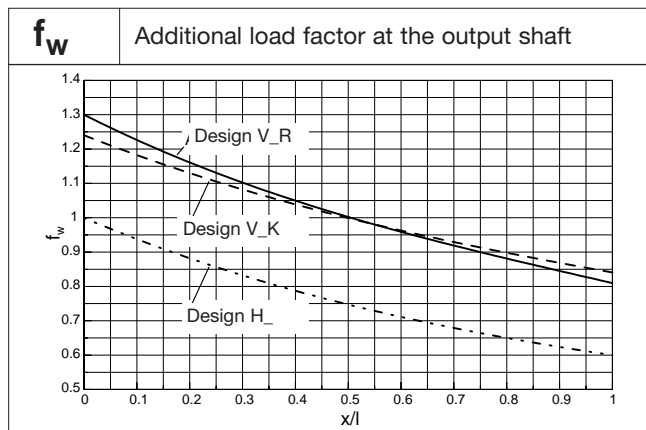
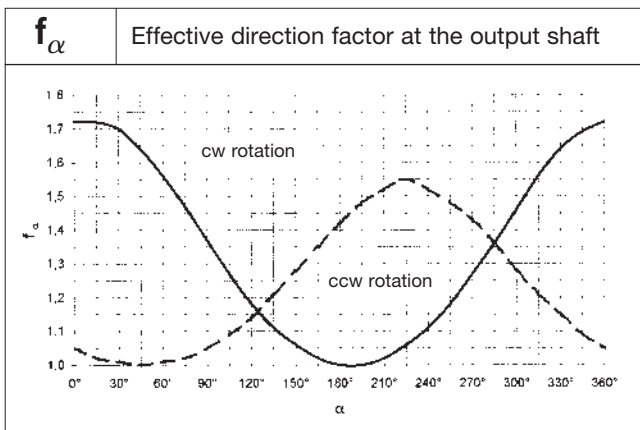
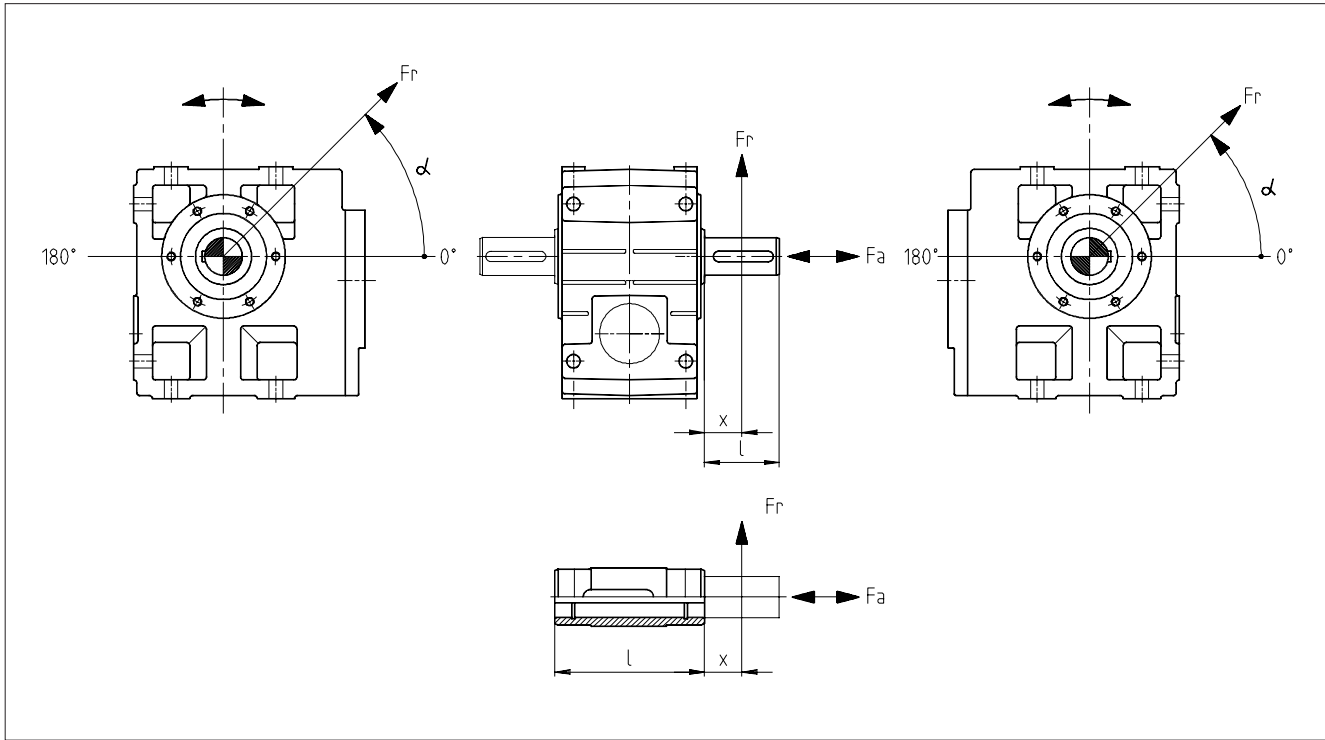
$$F_{r \text{ perm}} = f_w \cdot f_\alpha \cdot F_{r \text{ Tab}} \leq f_w \cdot F_{r \text{ max}}$$

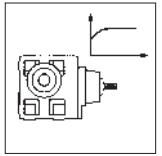
– Permissible axial force

$$F_{a \text{ perm}} = F_{a \text{ Tab}} \quad \text{with } F_r = 0$$

Please contact Lenze if F_r and $F_a < 0$

3





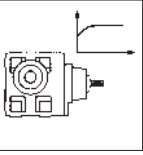
Permissible radial and axial forces – helical-worm gearboxes

VAK	Solid shaft with flange F_r : acts on the middle of the shaft ($x = l/2$) $F_{a Tab}$ only valid for $F_r = 0$							
	GSS 04		GSS 05		GSS 06		GSS 07	
n_2 [min ⁻¹]	$F_{r Tab}$ [N]	$F_{a Tab}$ [N]	$F_{r Tab}$ [N]	$F_{a Tab}$ [N]	$F_{r Tab}$ [N]	$F_{a Tab}$ [N]	$F_{r Tab}$ [N]	$F_{a Tab}$ [N]
250	4100	3500	4900	2500	7000	2800	7900	2400
160	4400	4000	4900	3100	8100	3500	9100	3200
100	4700	4200	4900	4000	9400	4500	10600	4300
63	4700	4200	4900	4900	9400	5700	12400	5900
40	4700	4200	4900	5500	9400	7300	14000	8000
25	4700	4200	4900	5500	9400	8800	14000	10000
1 6	4700	4200	4900	5500	9400	8800	14000	10000
$F_{r max}$	4700	–	4900	–	9400	–	14000	–

V□R	Solid shaft without flange F_r acts on the middle of the shaft ($x = l/2$) $F_{a Tab}$ only valid for $F_r = 0$							
	GSS 04		GSS 05		GSS 06		GSS 07	
n_2 [min ⁻¹]	$F_{r Tab}$ [N]	$F_{a Tab}$ [N]	$F_{r Tab}$ [N]	$F_{a Tab}$ [N]	$F_{r Tab}$ [N]	$F_{a Tab}$ [N]	$F_{r Tab}$ [N]	$F_{a Tab}$ [N]
250	3000	3700	2900	2800	3600	3200	4200	3100
160	3500	4200	3400	3500	4200	4100	5100	4100
100	4100	4900	4000	4400	5000	5200	6300	5500
63	4200	5500	4300	5500	5900	6500	7700	7200
40	4200	5500	4300	6000	6900	8200	9300	9500
25	4200	5500	4300	6000	8200	9000	11300	12500
1 6	4200	5500	4300	6000	8500	9000	12000	12500
$F_{r max}$	4200	–	4300	–	8500	–	12000	–

H□□	Hollow shaft F_r acts on the middle of the shaft ($x = 0$) $F_{a Tab}$ only valid for $F_r = 0$							
	GSS 04		GSS 05		GSS 06		GSS 07	
n_2 [min ⁻¹]	$F_{r Tab}$ [N]	$F_{a Tab}$ [N]	$F_{r Tab}$ [N]	$F_{a Tab}$ [N]	$F_{r Tab}$ [N]	$F_{a Tab}$ [N]	$F_{r Tab}$ [N]	$F_{a Tab}$ [N]
250	3800	3700	3600	2800	4800	3200	5600	3100
160	4500	4200	4300	3500	5600	4100	6700	4100
100	5300	4900	5100	4400	6600	5200	8200	5500
63	6000	5500	6000	5500	7700	6500	10000	7200
40	6000	5500	7000	6000	9100	8200	12100	9500
25	6000	5500	7500	6000	10700	9000	14800	12500
1 6	6000	5500	7500	6000	11500	9000	16000	12500
$F_{r max}$	6000	–	7500	–	11500	–	16000	–

For hollow shaft with shrink disc (S□□), radial and axial forces are not permissible.



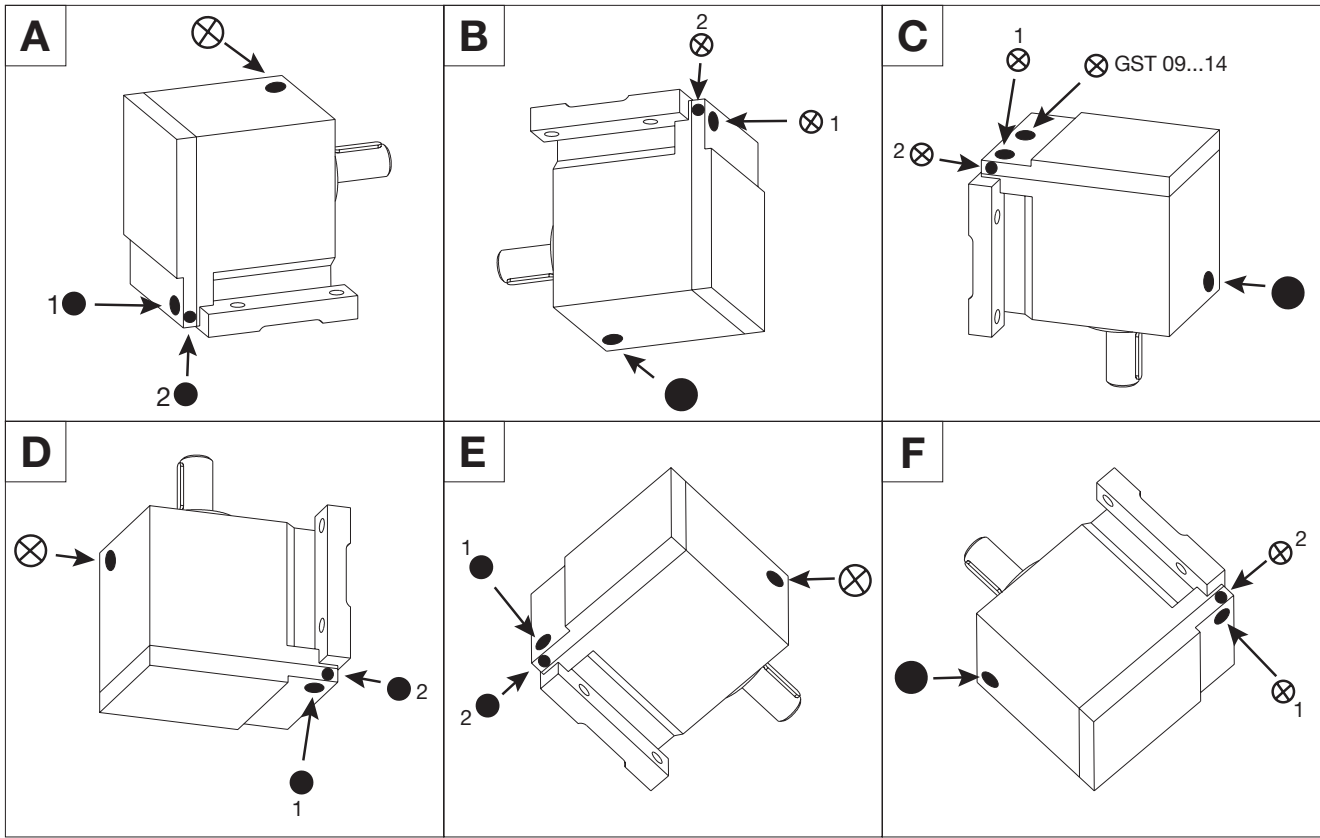
Technical data

Gearboxes

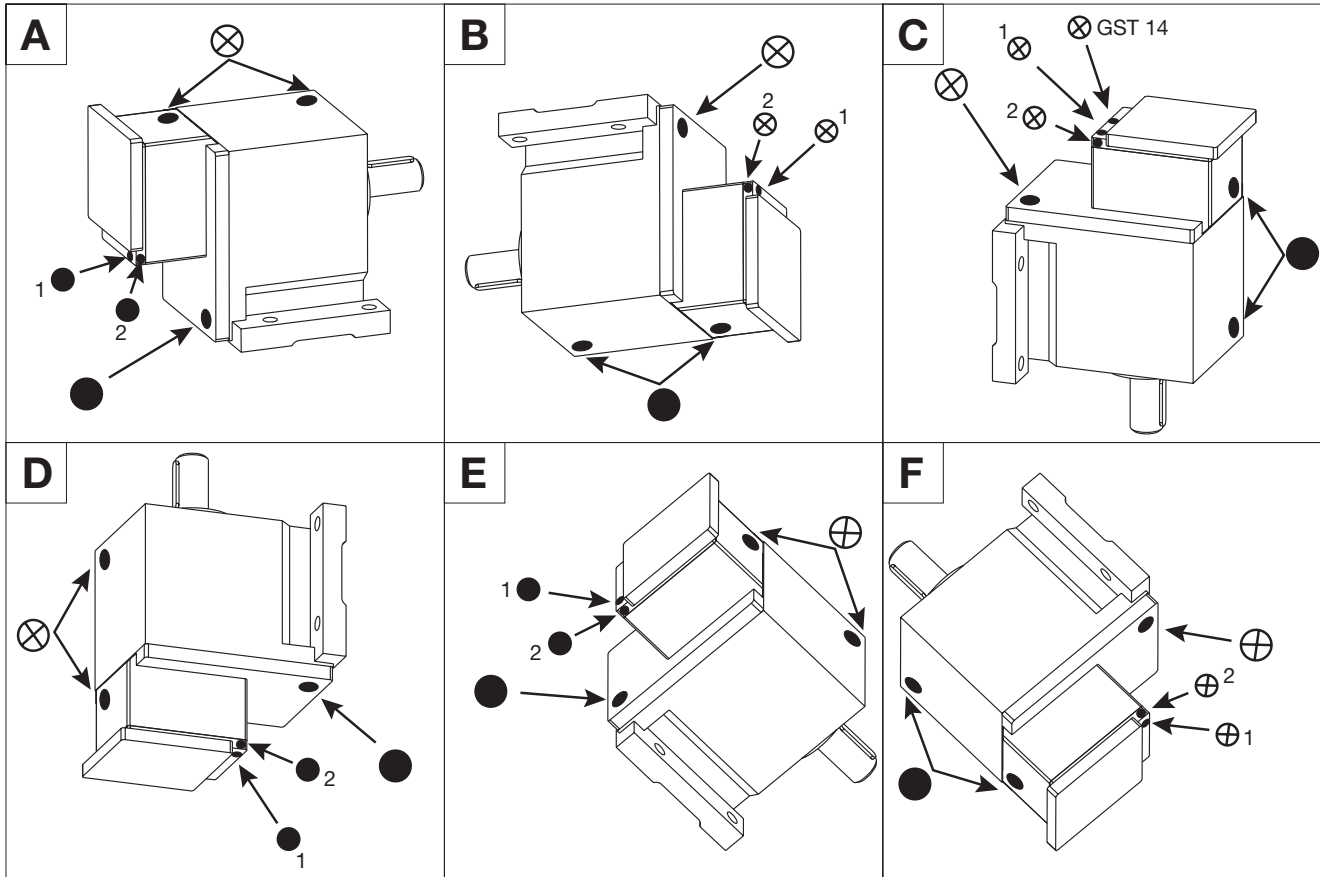
Position of breather, oil filler plug and oil drain plug

Helical gearboxes GST 05...14 - 2

3



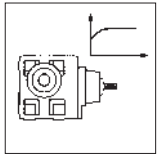
Helical gearboxes GST 05...14 - 3



Mounting position (A...F)

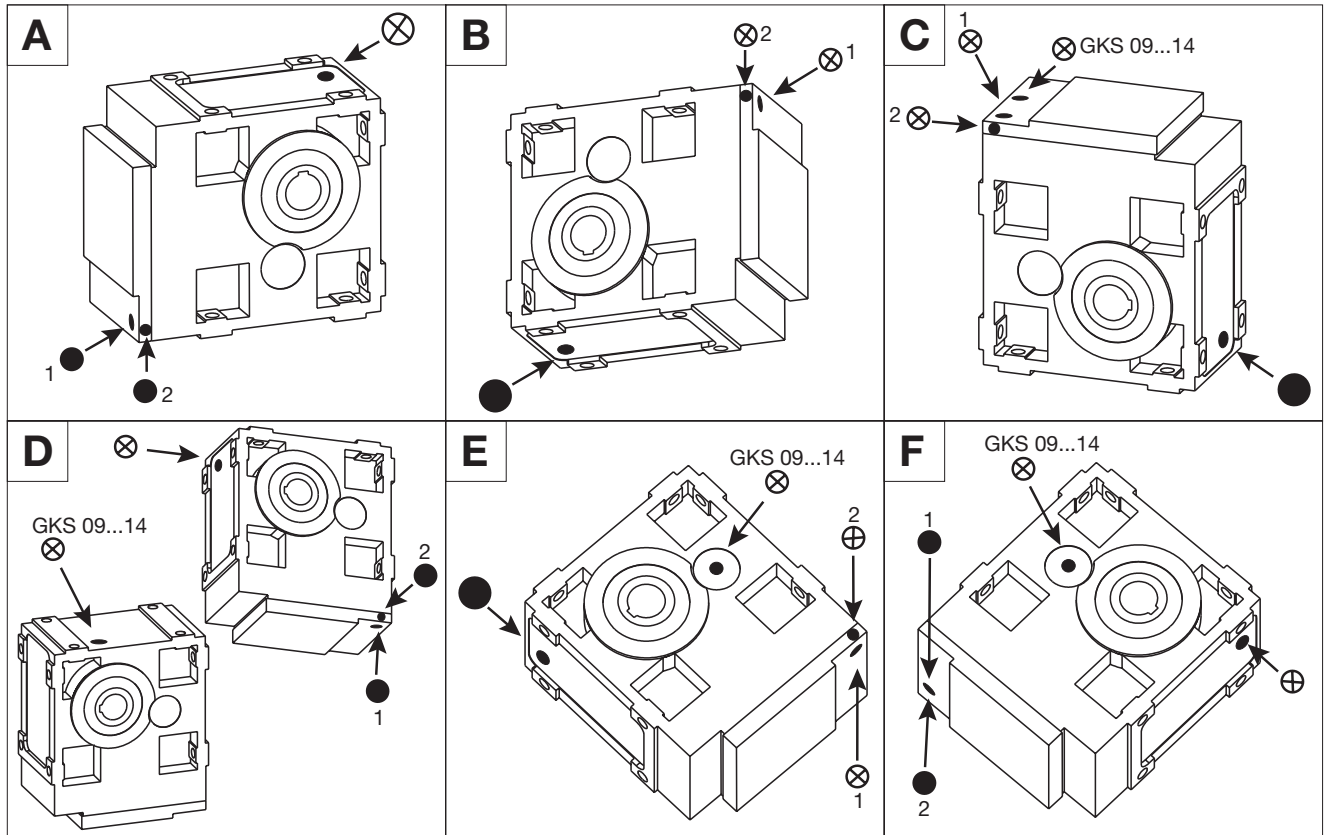
⊗ Breather/oil filler plug

● Oil drain plug



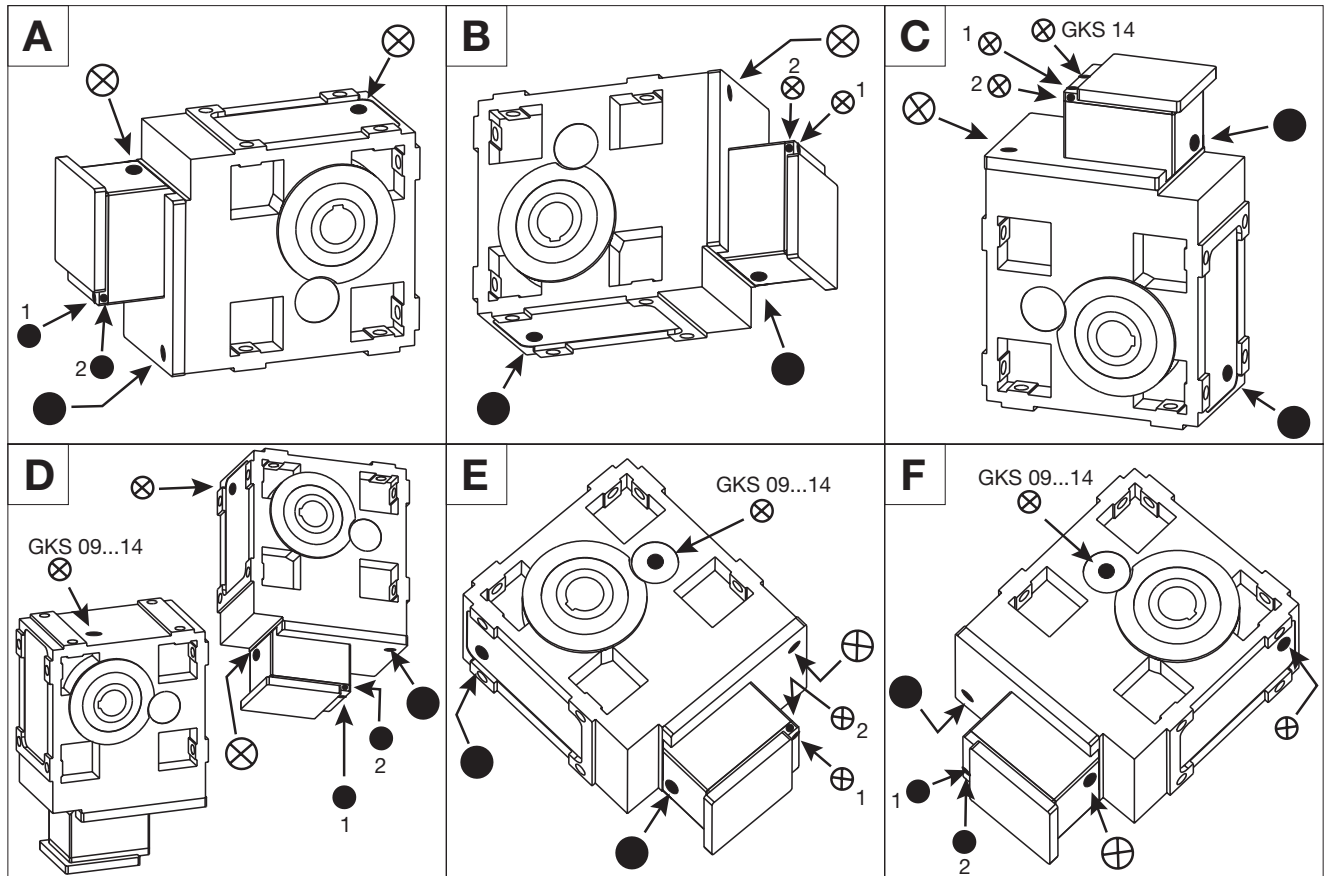
Position of breather, oil filler plug and oil drain plug

Helical-bevel gearboxes GKS 05...14 - 3



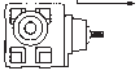
3

Helical-bevel gearboxes GKS 05...14 - 4



Mounting position (A...F) ⊗ Breather/oil filler plug ● Oil drain plug

Pos. 1 or 2 depending on the type of gearbox used (see table on page 23)



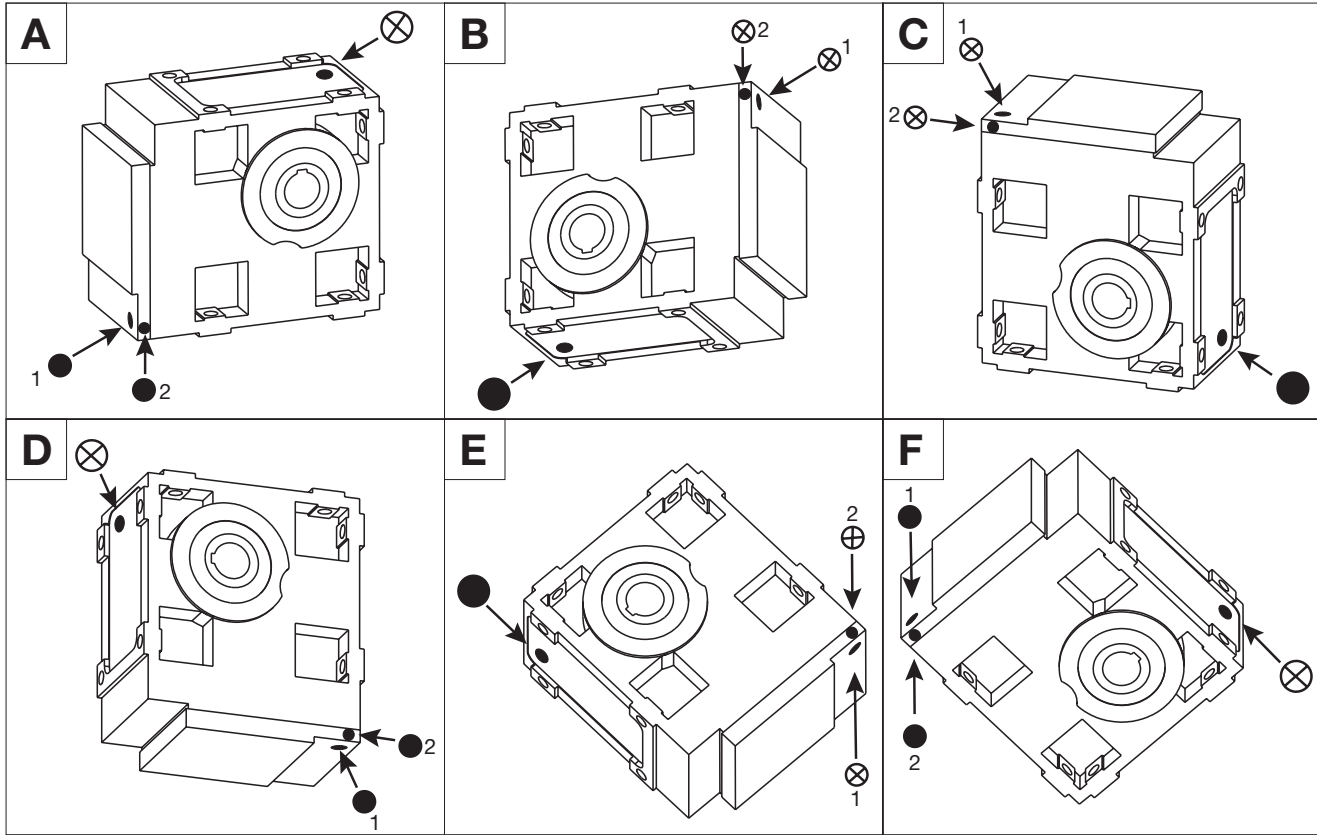
Technical data

Gearboxes

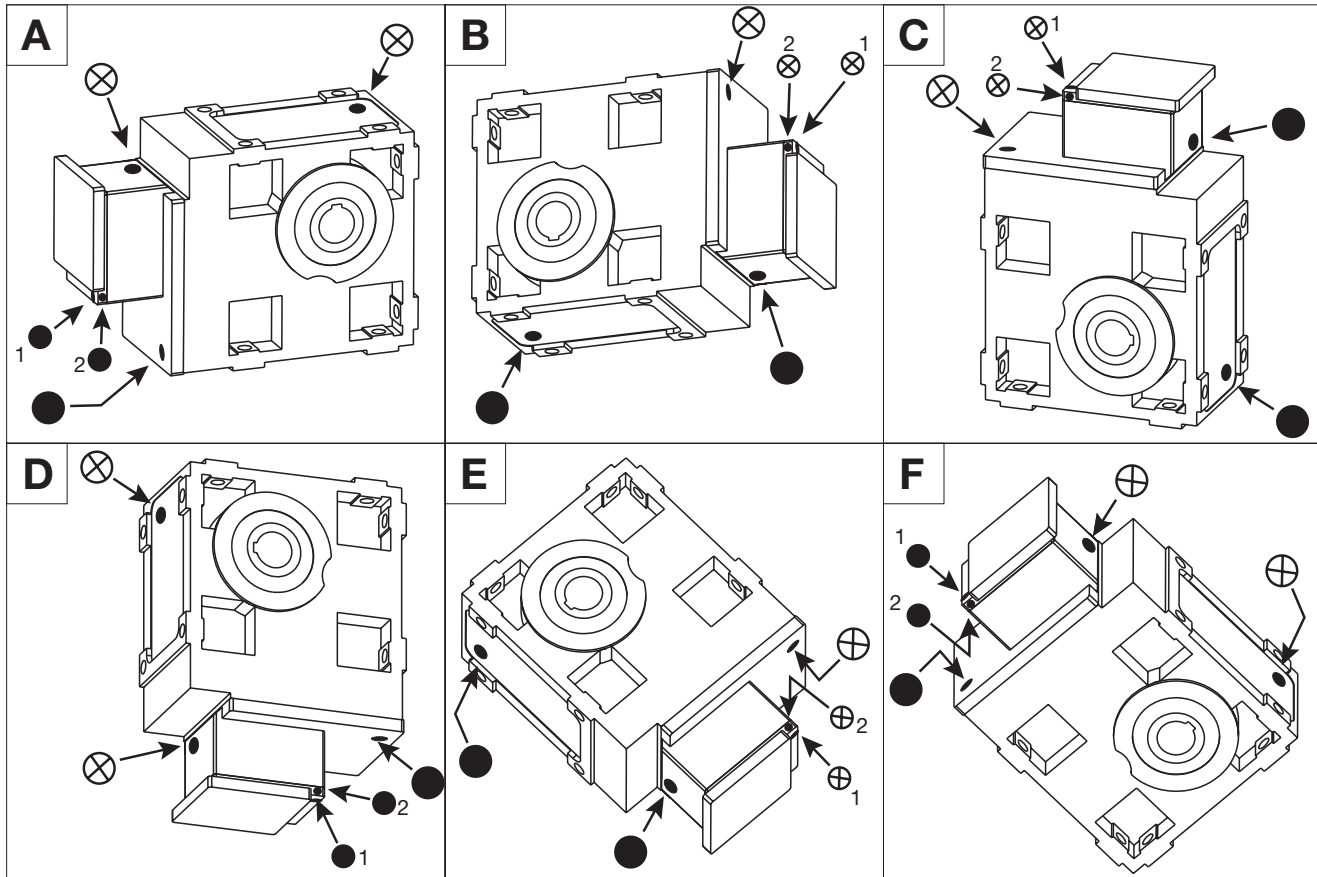
Position of breather, oil filler plug and oil drain plug

Helical-worm gearboxes GSS 05...07 - 2

3



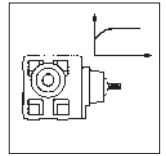
Helical-worm gearboxes GSS 05...07 - 3



Mounting position (A...F)

⊗ Breather/oil filler plug

● Oil drain plug



With the gearbox **types listed in the tables**, the breather, oil filler plug and oil drain plug are **in position 2** at the side of the cover. Position 1 is valid for **all other gearbox types**.

Helical gearboxes

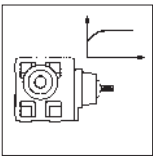
GST	05	-1	D	□□□	080-□□ 04D 090-□□ 05E
		-2	D	□□□	080-□□ 04D 090-□□ 05E
	07	-1	D	□□□	132-12 18H 132-22 08H
		-2	D	□□□	132-12 18H 132-22 08H
		-3	D	□□□	080-□□ 04D 090-□□ 05E
	09	-3	K	□□□	112-□□ 20F 132-□□ 25F 160-22 25F

Helical-bevel gearboxes

GKS	05	-3	D	□□□	080-□□ 04D 090-□□ 05E
	06	-3	K	□□□	132-□□ 26F 160-22 26F
	07	-3	D	□□□	132-12 18H 132-22 08H
		-4	D	□□□	080-□□ 04D
	09	-4	K	□□□	132-□□ 26F 160-22 26F

Helical-worm gearboxes

GSS	05	-2	D	□□□	080-□□ 04D 090-□□ 05E
	06	-2	K	□□□	112-LL 25F 132-□□ 26F 160-22 26F



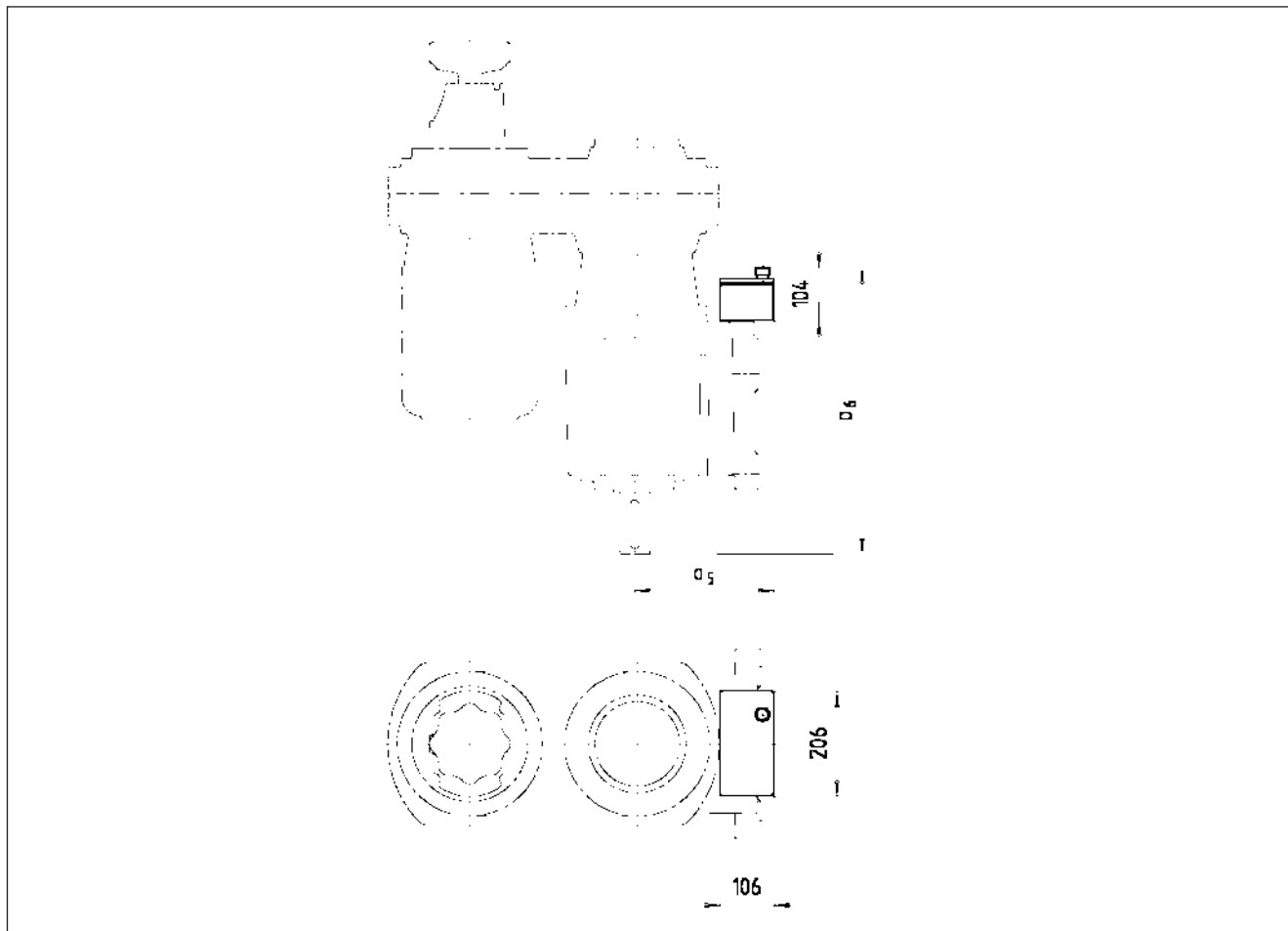
Technical data

Gearboxes

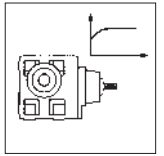
Gearboxes with compensator

Helical gearboxes GST

3

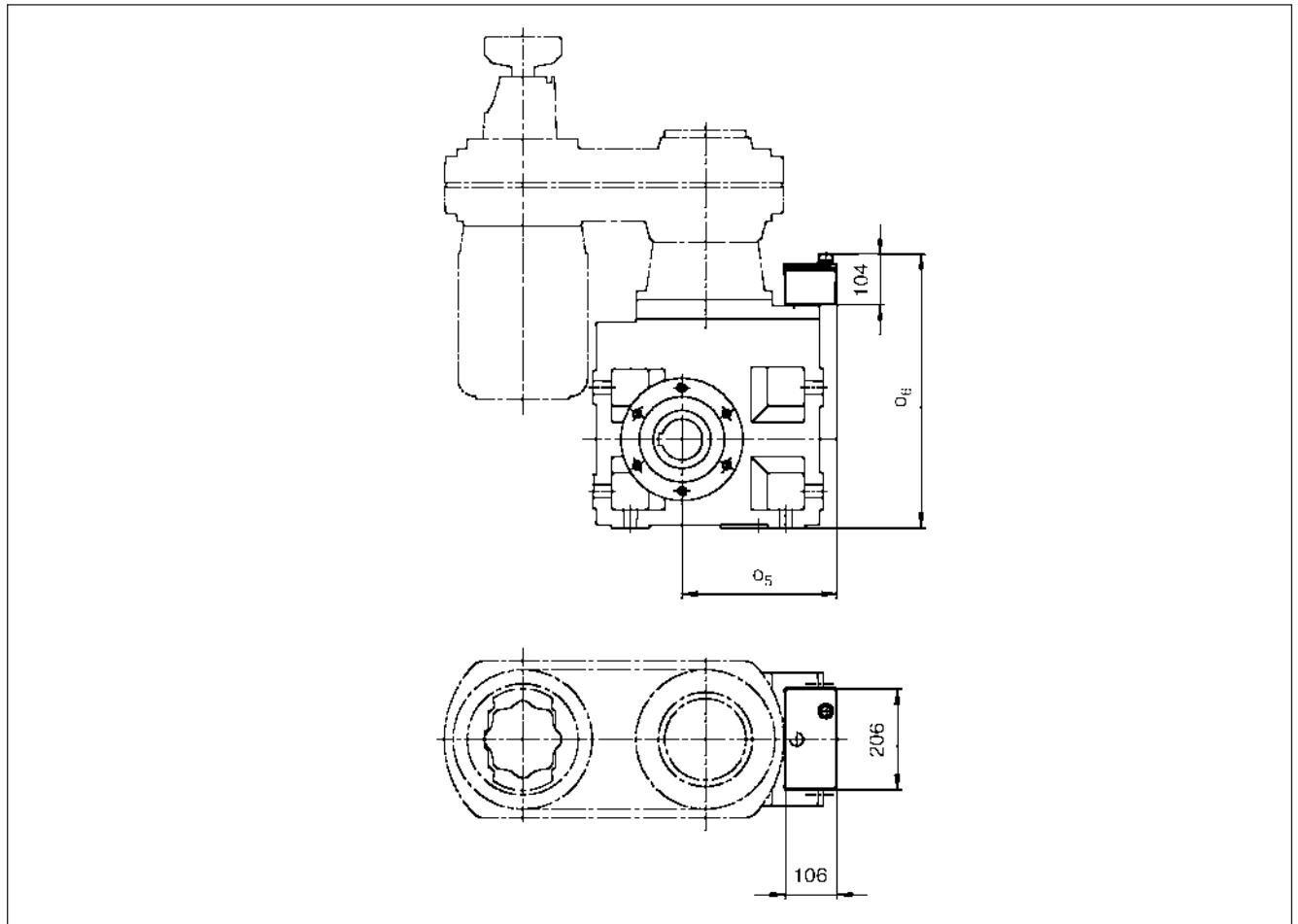


Helical gearboxes		DISCO / compact unit size			
GST □□ - 2 D		04D / 05E		06G / 07G 08H / 18H	
GST □□ - 2 K		20E	25F / 31G		31H / 40H
09	o₅	208	230	251	266
	o₆	473	473	473	473
11	o₅	210	232	256	270
	o₆	532	536	536	536
14	o₅		254	284	284
	o₆		636	636	636

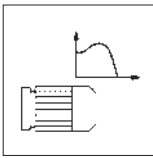


Gearboxes with compensator

Helical-bevel gearboxes GKS



Helical-bevel gearboxes		DISCO / compact unit size			
GKS □□ - 3 D		04D / 05E		06G / 07G 08H / 18H	
GKS □□ - 3 K		20E / 21E	25F / 26F 31G		40H
09	o_5	245	267	288	303
	o_6	529	529	529	529
11	o_5	260	282	306	320
	o_6	622	626	626	626
14	o_5		315	345	345
	o_6		735	735	735



Technical data

AC motors

General data

Standards	The motors comply with the corresponding DIN and IEC standards CE conformity to Low-Voltage Directive
Duty	Designed for duty type S1 (Continuous operation with constant load at rated power)
Enclosure	IP55 (self ventilated)
Thermal class (VDE 0530)	Insulation to thermal class F (utilisation to thermal class B)
Insulation resistance	max. voltage amplitude $\hat{V} = 1.5 \text{ kV}$ max. voltage rise time $dv/dt = 5 \text{ kV}/\mu\text{s}$
Temperature monitoring	Temperature sensor (normally closed contact)
Temperature range	-20 to +40 °C without power derating
Installation height	up to 1000 m amsl without power derating
Terminal box	Motor connection at terminal board, brake rectifier can be integrated into terminal box
Bearing	Deep-groove ball bearings with 2 side plates

Power derating

Influence of the installation height

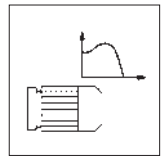
Influence of the installation height amsl on rated power				
H [m]	≤ 1000	2000	3000	4000
$\frac{P_h}{P_r}$	1	0.95	0.90	0.85

Influence of ambient operating temperature

Influence of ambient operating temperature T_{amb} on rated power					
T_{amb} [°C]	≤ 40	45	50	55	60
$\frac{P_{\hat{\theta}}}{P_r}$	1	0.95	0.90	0.85	0.80

Calculation of power derating

$$P_{red} = \frac{P_h}{P_r} \cdot \frac{P_{\hat{\theta}}}{P_r} \cdot P_r$$



Influence of operating frequency on rated data

Frequency f in Hz	Voltage $\frac{V}{V_r}$ in %	Power $\frac{P}{P_r}$ in %	Speed $\frac{n}{n_r}$ in %	Torque $\frac{M}{M_r}$ in %	Starting torque $\frac{M_A}{M_{Ar}}$ in %
50	100	100	100	100	100
60	100	100	120	83	70
60	120	120	120	100	100

Voltages / frequencies

Connection	Rated motor power	
	0.25...3 kW	4...45 kW
Δ	220-240 V / 50 Hz 220-266 V / 60 Hz	380-415 V / 50 Hz 380-460 V / 60 Hz
Y	380-415 V / 50 Hz 380-460 V / 60 Hz	

The limits of the voltage range are subject to a ±5% tolerance, see DIN EN 60034.

Influence of duty type on rated data

The duty type is very important for motor selection. For instance, a motor generates less heat in short-time duty than continuous duty. It is therefore possible to select a smaller motor for this type of duty. VDE 0530 distinguishes between duty types S1 to S8.

With increased power it is possible to operate the motor with a duty type other than S1. The increased power values P_{perm} for duty type S2, S3, S6 are listed in the following table.

Continuous duty S1

Operation at rated load of sufficient duration for thermal equilibrium to be reached. The motor is continuously driven with rated load.

Short-time duty S2

Compared with the following rest and de-energised period, operation is not long enough to reach the thermal equilibrium. The motor cools down to its initial temperature in the following longer rest period.

Intermittent periodic duty S3, S4, S5

A sequence of identical duty cycles. In general, the duty time is 10 minutes. The machine cools down during the rest period.

- S3: Duty without influence of the running up period
- S4: Duty with influence of the running up period
- S5: Duty with influence of the running up period and electrical braking

Continuous operation periodic duty S6

The motor cannot cool down to its initial temperature during the rest period

Continuous operation periodic duty with starting and electrical braking S7

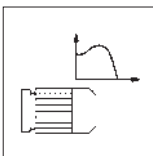
There is no rest and no de-energising period.

Continuous operation S8 with pole changes

Continuous operation under constant load with frequent speed changes.

Power increase for duty types S2, S3 and S6

Duty type S2		Duty type S3		Duty type S6	
Duty time [min]	$\frac{P_{perm}}{P_r}$	Duty time [%]	$\frac{P_{perm}}{P_r}$	Duty time [%]	$\frac{P_{perm}}{P_r}$
10	1.4 to 1.5	15	1.4 to 1.5	15	1.5 to 1.6
30	1.15 to 1.2	25	1.3 to 1.4	25	1.4 to 1.5
60	1.07 to 1.1	40	1.15 to 1.2	40	1.3 to 1.4
90	1.0 to 1.05	60	1.05 to 1.1	60	1.15 to 1.2



Technical data

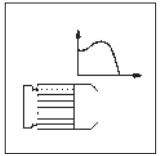
AC motors

Standard motors for DISCO variable speed drives

DISCO size	02	03	04	05	06	07	18 / 08
Motor frame size	71	71	80	90	100	112	132
Self ventilation	●	●	●	●	●	●	●
Motor mounting position	IM B14	IM B14	IM B5	IM B5	IM B5	IM B5	IM B5
Flange diameter	C105	C105	A200	A200	A250	A250	A300
Motor shaft d x l	14 x 30	14 x 30	19 x 40	24 x 50	28 x 60	28 x 60	38 x 80
Oil-proof	●	●	●	●	●	●	●
Connection type Terminal box	●	●	●	●	●	●	●
Attachments Spring-operated brake	●	●	●	●	●	●	●

Standard motors for compact units

Compact unit size	10	13	16	20	25	31	40
Motor frame size	71	80 90	90 100	112	132 160	160 180	180 200 225
Self ventilation	●	●	●	●	●	●	●
Motor mounting position	IM B14	IM B14	IM B14	IM B14	IM B5	IM B5	IM B5
Flange diameter	C105	C160	C160	C160	A300	A350	A350 A400 A450
Motor shaft d x l	14 x 30	19 x 40 24 x 50	24 x 50 28 x 60	28 x 60	38 x 80 42 x 110	42 x 110 48 x 110	48 x 110 55 x 110 60 x 140
Connection type Terminal box	●	●	●	●	●	●	●
Attachments Spring-operated brake	●	●	●	●	●	●	●



Rated data 50 Hz

No. of pole pairs 2 (4-pole)

Motor frame size	P_r [kW]	n_r [min ⁻¹]	$I_r^{1)}$ [A]	I_A / I_r [A]	V^* [V] Y / Δ	f_r [Hz]	$\cos \varphi$	η [%]	M_r [Nm]	M_{stall} [Nm]	M_A [Nm]	J [10 ⁻³ kgm ²]	m [kg]
071-12	0.25	1400	0.82	3.9	400 / 230	50	0.70	65	1.72	4.4	4.6	0.77	5.8
071-32	0.37	1400	1.2	3.9	400 / 230	50	0.71	72	2.54	5.3	5.8	0.94	6.4
080-12	0.55	1400	1.6	4.3	400 / 230	50	0.72	73	3.75	10.2	9.5	1.12	7.3
080-32	0.75	1380	2.0	4.7	400 / 230	50	0.76	77	5.14	13.2	13.3	1.50	8.3
090-12	1.1	1410	2.6	5.1	400 / 230	50	0.80	80	7.45	18.5	16.7	2.5	13
090-32	1.5	1420	3.5	6.0	400 / 230	50	0.80	83	10.1	31.0	29.1	3.5	16
100-12	2.2	1400	5.6	6.2	400 / 230	50	0.78	83	15.0	54.0	46.5	4.75	20
100-32	3	1400	7.3	6.2	400 / 230	50	0.81	83	20.2	64.6	62.6	5.88	24
112-22	4	1430	8.5	7.4	400 / 230	50	0.85	86	26.5	84.8	71.6	20.1	35
112-32 132-12 ²⁾	5.5	1440	12.5	8.0	- / 400	50	0.78	89	36.5	138.7	105.9	22.8	41
132-22	7.5	1460	16.8	7.7	- / 400	50	0.77	87	50.0	170.0	135	52.9	63
132-32	9.2	1450	19.5	6.7	- / 400	50	0.85	90	63.7	232.5	146.5	52.9	63
160-22	11	1460	23.0	6.9	- / 400	50	0.85	88	72.0	194.4	172.8	62.0	86
160-32	15	1460	30.0	6.6	- / 400	50	0.86	89	96.0	259.2	249.6	83.0	104
180-22	18.5	1440	36.4	5.5	- / 400	50	0.87	92	133.0	412.3	332.5	127.0	160
180-32	22	1465	44.1	5.5	- / 400	50	0.85	91	143.0	443.3	343.2	153.0	187
200-32	30	1455	60.0	6.3	- / 400	50	0.85	93	197.0	591.0	492.5	249.0	245
225-12	37	1460	72.0	6.4	- / 400	50	0.86	92	242.0	701.8	653.4	392.0	290
225-22	45	1475	85.5	6.9	- / 400	50	0.84	93	291.0	843.9	814.8	474.0	360

No. of pole pairs 1 (2-pole)

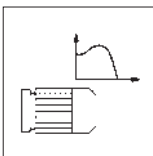
Motor frame size	P_r [kW]	n_r [min ⁻¹]	$I_r^{1)}$ [A]	I_A / I_r [A]	V^* [V] Y / Δ	f_r [Hz]	$\cos \varphi$	η [%]	M_r [Nm]	M_{stall} [Nm]	M_A [Nm]	J [10 ⁻³ kgm ²]	m [kg]
071-11 ²⁾	0.37	2840	1.2	5.6	400 / 230	50	0.78	72	1.25	3.7	3.6	0.47	6.2
071-31 ²⁾	0.55	2840	1.5	6.1	400 / 230	50	0.82	82	1.86	5.0	5.1	0.59	6.5
080-11 ²⁾	0.75	2850	1.9	6.1	400 / 230	50	0.80	80	2.52	7.8	8.8	0.68	9.2
080-31 ²⁾	1.1	2810	2.8	6.9	400 / 230	50	0.82	79	3.70	13.1	12.2	1.01	9.6
090-11 ²⁾	1.5	2840	3.2	5.9	400 / 230	50	0.85	82	5.10	13.6	11.9	1.72	14
090-31 ²⁾	2.2	2840	4.8	6.9	400 / 230	50	0.86	82	7.40	21.5	20.9	2.54	17

¹⁾ at 400 V mains voltage

²⁾ only for DISCO variable speed drive

Values are guide values

*Motors can be driven at rated torque within a voltage range to the table "Voltages / Frequencies" on page 3-27.



Technical data

AC motors

Spring-operated brakes

Brake motors are equipped with Lenze spring-operated brakes. The rectifier required for mains operation is located in the terminal box and is part of the delivery package. The brake is shown on page 3-31.

The brakes are active after the supply voltage has been switched off (fail-safe brake).

The brake torques indicated apply to quasi-static selection when the brake is operated as low-wear holding brake. The air gap is factory set and can be readjusted in the event of wear.

General data

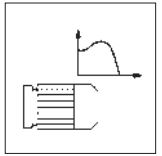
Design	Single-disc spring-operated brake
Operating principle	Brake torque when no voltage is applied
Type of protection	IP 54
Thermal class	F
Friction lining	asbestos free
Option	Hand release

Rated data

Size	P _{20°} [W]	M _B [Nm]	J _B [10 ⁻³ kgm ²]	m [kg]	Connection voltage	Assigned brake voltage
06	20	4	0.015	0.9	24 V DC t 220...240 V AC t 380...420 V AC t	24 V DC 205 V DC 180 V DC
08	25	8	0.061	1.5		
10	30	16	0.20	2.6		
12	40	32	0.45	4.2		
14	50	60	0.63	5.8		
16	55	80	1.5	8.7		
18	85	150	2.9	12.6		
20	100	260	7.3	19.5		
25	110	400	20.0	31.0		

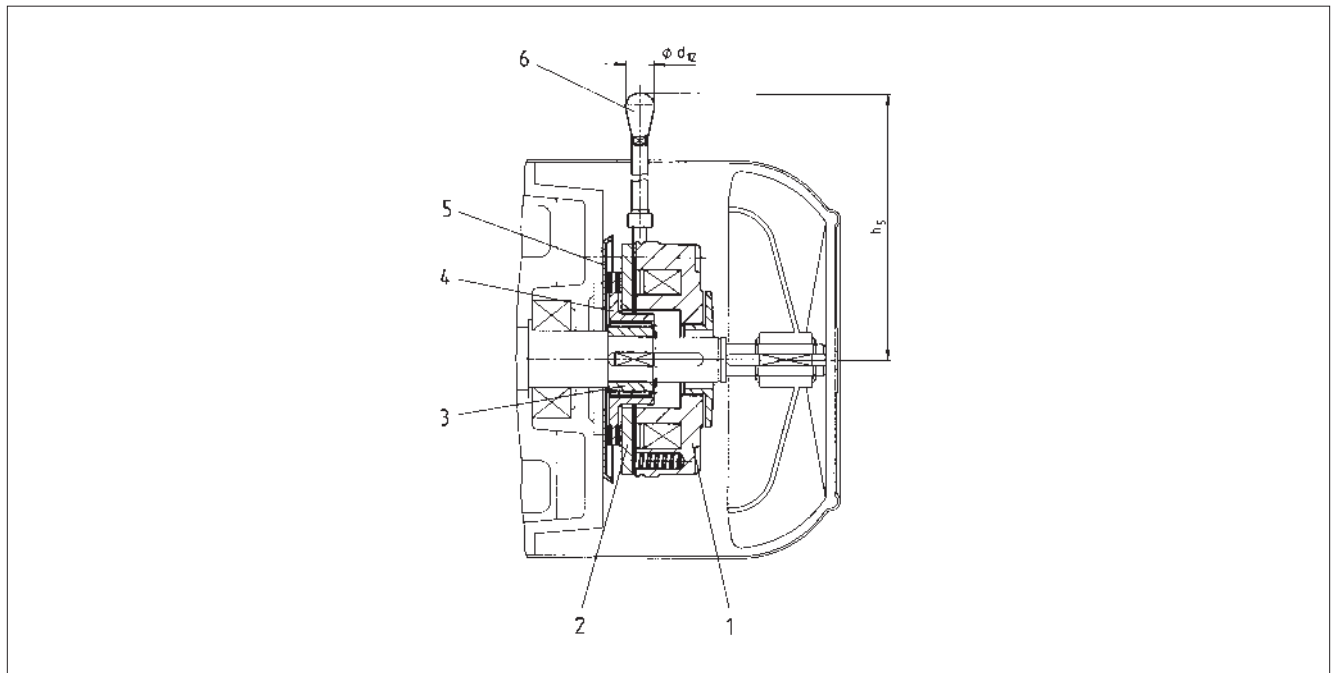
Possible combinations

Size	Brake								
	06	08	10	12	14	16	18	20	25
Motor frame size									
071	●								
080		●							
090		●	●	●					
100			●	●	●				
112				●	●	●			
132					●	●	●		
160						●	●	●	
180							●	●	
200								●	●
225									●

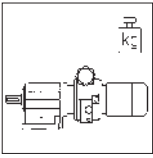


Spring-operated brake

Position	Name
1	Stator
2	Armature
3	Hub
4	Rotor
5	Friction plate
6	Hand release (option)



Spring-operated brake size	d12	h5
06	13	107
08	13	116
10	13	132
12	13	161
14	24	195
16	24	240
18	24	279
20	24	319
25	24	445



Technical data

Weights

DISCO variable speed drives with helical gearboxes

GST □□ - 1D

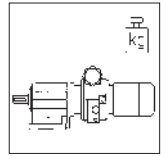
Gearbox size	DISCO variable speed drive GST □□ - 1D VBR with drive size									
	071-1□ 02	071-3□ 03	080-1□ 04	080-3□ 04	090-1□ 05	090-3□ 05	100-32 06	112-22 07	132-12 18	132-22 08
GST 04	15	23	32	33						
GST 05	18	27	36	37	51	54				
GST 06			41	42	56	58				
GST 07					65	67	104	114	177	184
GST 09							119	129	192	199

Gearbox size	DISCO variable speed drive GST □□ - 1D VCR with drive size					
	071-1□ 02	071-3□ 03	080-1□ 04	080-3□ 04	090-1□ 05	090-3□ 05
GST 04	14	23	32	33		
GST 05	17	26	35	36	50	53
GST 06			39	40	54	56
GST 07					62	64

GST □□ - 2D

Gearbox size	DISCO variable speed drive GST □□ - 2D VBR with drive size									
	071-1□ 02	071-3□ 03	080-1□ 04	080-3□ 04	090-1□ 05	090-3□ 05	100-32 06	112-22 07	132-12 18	132-22 08
GST 04	17	25	34	35						
GST 05	22	30	40	41	55	57				
GST 06	29	37	47	48	62	64				
GST 07			62	63	77	79	116	126	189	196
GST 09			89	90	104	107	143	154	216	223
GST 11					150	153	188	198	261	268
GST 14							277	288	350	357

Gearbox size	DISCO variable speed drive GST □□ - 2D VCR with drive size									
	071-1□ 02	071-3□ 03	080-1□ 04	080-3□ 04	090-1□ 05	090-3□ 05	100-32 06	112-22 07	132-12 18	132-22 08
GST 04	16	25	34	35						
GST 05	20	29	38	39	53	56				
GST 06	26	35	44	45	59	62				
GST 07			58	59	73	75	111	122	184	191
GST 09			81	82	96	98	135	145	208	215
GST 11					135	138	173	183	246	253
GST 14							249	260	322	329



DISCO variable speed drives with helical gearboxes

GST □□ - 3D

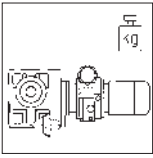
Gearbox size	DISCO variable speed drive GST □□ - 3D VBR with drive size									
	071-1□ 02	071-3□ 03	080-1□ 04	080-3□ 04	090-1□ 05	090-3□ 05	100-32 06	112-22 07	132-12 18	132-22 08
GST 05	23	31								
GST 06	33	41	50	51						
GST 07	52	60	70	71	85	87				
GST 09	84	92	102	103	117	120				
GST 11			156	157	171	174	210	221		
GST 14			263	264	277	280	317	327	390	397

Gearbox size	DISCO variable speed drive GST □□ - 3D VCR with drive size									
	071-1□ 02	071-3□ 03	080-1□ 04	080-3□ 04	090-1□ 05	090-3□ 05	100-32 06	112-22 07	132-12 18	132-22 08
GST 05	21	30								
GST 06	30	39	48	49						
GST 07	48	56	65	66	80	83				
GST 09	75	84	94	95	109	111				
GST 11			141	142	156	159	195	206		
GST 14			235	236	249	252	289	299	362	369

Additional weight

Gearbox size	Flange VCK/VAK
GST 04	1.0
GST 05	1.5
GST 06	3.0
GST 07	4.0
GST 09	7.0
GST 11	10.5
GST 14	15.5

Weights in [kg] with oil filling for mounting position A, all values are approximate values.



Technical data

Weights

DISCO variable speed drives with helical-bevel gearboxes

GKS □□ - 3D

Gearbox size	DISCO variable speed drive GKS □□ - 3D H□R with drive size							
	071-1□ 02	071-3□ 03	080-3□ 04	090-3□ 05	100-32 06	112-22 07	132-12 18	132-22 08
GKS 04	23	31	41					
GKS 05	32	41	51	67				
GKS 06	46	55	65	82				
GKS 07	72	81	91	107	144	154	217	224
GKS 09			140	156	193	203	266	273
GKS 11				255	290	301	364	371
GKS 14					459	470	532	539

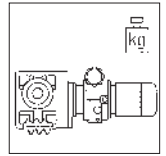
GKS □□ - 4D

Gearbox size	DISCO variable speed drive GKS □□ - 4D H□R with drive size							
	071-1□02	071-3□ 03	080-3□ 04	090-3□ 05	100-32 06	112-22 07	132-12 18	132-22 08
GKS 05	33							
GKS 06	50	59	69					
GKS 07	80	89	99					
GKS 09	133	142	153	169				
GKS 11	241	250	260	277	313	323		
GKS 14			446	462	499	509	572	579

Additional weights

Getriebe- größe	Solid shaft	2nd input shaft end	Hollow shaft with shrink disc	Flange	Torque plate	Torque plate
	V□□	V□□	S□□	□□K	Housing foot	Pitch circle
GKS 04	0.6	0.2	0.6	2.5	1.3	0.9
GKS 05	1	0.3	0.8	4	2.2	1.3
GKS 06	2.5	0.8	1	7	3.7	2.1
GKS 07	5	1.5	1.5	11	6.6	3.7
GKS 09	8	2.7	3	16	13.2	
GKS 11	16	6.3	5	24	22.5	
GKS 14	33	12.3	11	33	44	

Weights in [kg] with oil filling for mounting position A, all values are approximate values



DISCO variable speed drives with helical-worm gearboxes

GSS □□ - 2D

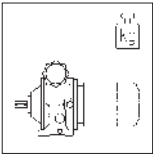
Gearbox size	DISCO variable speed drive GSS □□ - 2D H□R with drive size					
	071-1□ 02	071-3□ 03	080-3□ 04	090-3□ 05	100-32 06	112-22 07
GSS 04	23	31	41			
GSS 05	32	40	51	67		
GSS 06	44	52	63	80		
GSS 07			88	104	141	151

3

Additional weights

Gearbox size	Solid shaft	2nd input shaft end	Hollow shaft with shrink disc	Flange	Torque plate	Torque plate
	V□□	V□□	S□□	□□K	Housing foot	Pitch circle
GSS 04	0.6	0.2	0.6	2.5	1.3	0.9
GSS 05	1	0.3	0.8	4	2.2	1.3
GSS 06	2.5	0.8	1	7	3.7	2.1
GSS 07	5	1.5	1.5	11	6.6	3.7
GSS 09	8	2.7	3	16	13.2	
GSS 11	16	6.3	5	24	22.5	
GSS 14	33	12.3	11	33	44	

Weights in [kg] with oil filling for mounting position A, all values are approximate values



Technical data

Weights

DISCO variable speed drives without gearboxes

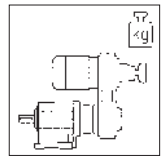
11.710.□□.00

Gearbox size	DISCO variable speed drive with motor frame size										
	071		080		090		100		112		132
	-1□	-3□	-1□	-3□	-1□	-3□	-1□	-3□	-22	-12	-22
11.710.02	10										
11.710.03		19									
11.710.04			27	28							
11.710.05					42	45					
11.710.06							74	78			
11.710.07									89		
11.710.18										151	
11.710.08											158

11.700.□□.00

11.700.02	5
11.700.03	13
11.700.04	21
11.700.05	35
11.700.06	58
11.700.07	58
11.700.18	88
11.700.08	88

Weights in [kg] with oil filling for mounting position A.
All values are approximate values



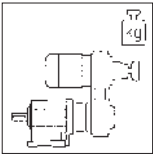
Compact units with helical gearboxes

GST □□-1K

Gearbox size	Compact unit GST□□-1K VBR with drive size															
	071		080		090								100			
	-12 10B	-32 10B	-12 13C	-32 13C	13C	13D	-12 16D	16E	13C	13D	-32 16D	16E	16D	-12 16E	16D	-32 16E
04	14	15	21	22	27			29								
05	18	18	24	25	30	32	35	32	35	38			42		46	
06							40	43			42	45	47	50	50	53
07							49				51		56	59	58	63
GST□□-1K VCR																
04	14	14	20	21	27			29								
05	17	17	23	24	29	19	34	31	34	37			41		45	
06							38	41			40	43	45	48	49	52
07							46				48		53	56	56	60

Gearbox size	Compact unit GST□□-1K VBR with drive size											
	112		132				160		180			
	20E	-22 20F	20E	-32 20F	25F	-22 25G	25F	-32 25G	-22 25F	-32 31G	-22 31G	
06	70		75									
07	79	87	84	93	129		136		171			
09	93		98		143	149	150	156	185	243	256	
GST□□-1K VCR												
06	68		73									
07	76	84	81	90	118		125		160			
09	88		94		126	131	133	138	168	225	265	

Weights in [kg] with oil filling for mounting position A.
All values are approximate values



Technical data

Weights

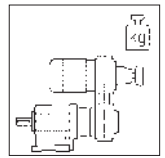
Compact units with helical gearboxes

GST □□-2K

Gearbox size	Compact unit GST□□-2K VBR with drive size											
	071		080		090				100			
	-12 10B	-32 10B	-12 13C	-32 13C	13C	-12 13D	16D	13C	-32 13D	16D	-12 16D	-32 16D
04	16	17	23	24	29			32				
05	21	22	28	29	33	36	39	36	38	41	46	49
06					40		46	43		48	53	57
07							61			63	68	72
	GST□□-2K VCR											
04	16	16	22	23	28			30				
05	20	20	26	27	32	34	37	34	37	40	44	48
06					38		43	40		46	50	54
07							57			59	64	67

Gearbox size	Compact unit GST□□-2K VBR with drive size											
	112		132		160		180		200		225	
	-22 20E	-32 20E	-22 25F	-32 25F	-22 25F	-32 31G	-22 31G	180 31H	-32 40H	200 -32 40H	-12 40H	-32 40H
06	76	82										
07	91	96	141	148	183							
09	117	123	167	174	209	267	307					
11			213	220	255	312	347	367	519	579	659	674
14						401	441		608	668	748	763
	GST□□-2K VCR											
06	73	79										
07	87	92	137	144	179							
09	109	114	159	166	201	259	299					
11			198	205	240	297	337	352	504	564	644	659
14						373	413		580	640	720	735

Weights in [kg] with oil filling for mounting position A.
All values are approximate values



Compact units with helical gearboxes

GST □□-3K

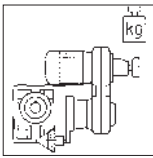
Gearbox size	Compact unit GST□□-3K VBR with drive size															
	071		080		090								100			
	-12 10B	-32 10B	-12 13C	-32 13C	13C	13D	-12 16D	16E	13C	13D	-32 16D	16E	16D	-12 16E	16D	-32 16E
05	22	23	29	30												
06	32	33	39	40	45			47								
07	51	52	58	59	64	66	69	66	68	71			76		79	
09			90	91	96	98	101	98	101	104			108		112	
11						152	155			55	158		162		166	
14								264				266		271		274
	GST□□-3K VCR															
06	21	22	27	28												
06	30	30	36	37	42			44								
07	47	48	53	54	59	61	64	62	64	67			71		75	
09			81	82	87	90	93	90	92	95			100		103	
11						137	140			140	143		147		151	
14								236				238		243		245

Gearbox size	Compact unit GST□□-3K VBR with drive size											
	112		132		160		180		200			
	20E	-22 20F	20E	-32 20F	-22 25F	-32 25F	-22 25F	-32 31G	-22 31G	-32 40H	200 -32 40H	
09	131	140	137	145	181	188	223					
11	185		191		235	242	277	337	374			
14	291		296		341	348	383	441	481	648	708	
	GST□□-3K VCR											
09	123	131	128	137	173	180	215					
11	170		176		220	227	262	319	359			
14	263		268		313	320	355	413	453	620	680	

Additional weights

Gearbox size	Flange VCK/VAL
04	1
05	1.5
06	3
07	4
09	7
11	10.5
14	15.5

Weights in [kg] with oil filling for mounting position A.
All values are approximate values



Technical data

Weights

Compact units with helical-bevel gearboxes

GKS □□-3K

Gearbox size	Compact unit GKS□□-3K H□R with drive size																																			
	071			080				090				100				112				132			160		180		200		225							
	-12 10B	-32 10B	13C	-12 13C	-32 14D	14D	14D	-12 14D	-32 16D	14D	16D	16D	20E	16D	20E	-22 21E	-32 25F	21E	25F	26F	31G	-22 26F	-32 31G	26F	31G	-22 26F	-32 31G	26F	31G	-22 31G	-32 40H	40H	40H	-12 40H	-22 40H	
04	22	23	28	28	29																															
05			37	38	40	39	41	46		49		56		60																						
06			51	52		53		61	63	63	66	70		74		108		113		144		151		186												
07					80		81	86		89		96	105	100	108	133		139		169		176		211	268	308										
09													153		156	181	188	186	194	217		224		259	317	357	524	584	664	679						
11																287		293	316	348	323	355	358	415	455	622	682	762	777							
14																					516		523		583	623	790	850	930	945						

Compact units with helical-bevel gearboxes

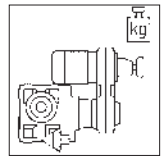
GKS □□-4K

Gearbox size	Compact unit GKS□□-3K H□R with drive size																																			
	071			080				090				100				112				132			160		180		200		225							
	-12 10B	-32 10B	13C	-12 13C	-32 14D	14D	14D	-12 14D	-32 16D	14D	16D	16D	20E	16D	20E	-22 21E	-32 25F	21E	25F	26F	31G	-22 26F	-32 26F	26F	31G	31G	-22 31G	-32 40H	40H	40H	-12 40H	-22 40H				
05	33	33		39		40																														
06			55	56		57																														
07			85		88		89	94	97	97	99	104		108																						
09										151		153	158	166	161	170	195		200		231	238	273													
11													274		278	274	310	308	315	338	345	380	437	477												
14																	494		500	523	530	565	623	663	830	890	970	985								

Additional weights

Gearbox size	Solid shaft	2nd output shaft end	Hollow shaft with shrink disc	Flange	Torque plate	Torque plate
	V□□	V□□	S□□	□□K	Housing foot	Pitch circle
04	0.6	0.2	0.3	2.5	1.3	0.9
05	1	0.3	0.6	4	2.2	1.3
06	2.5	0.8	1	7	3.7	2.1
07	5	1.5	1.5	11	6.6	3.7
09	8	2.7	3	16	13	
11	16	6.3	5	24	23	
14	33	12	11	33	44	

Weights in [kg] with oil filling for mounting position
A. All values are approximate values.



Compact units with helical-worm gearboxes

GSS □□-2K

Gearbox size	Compact unit																									
	GSS□□-2K H□R with drive size																									
	071			080				090				100				112			132		160		180			
	-12	-32		-12	-32		-12	-32		-12	-32		-12	-32		-22	-32		-22	-32	-22	-32	-22	-32	-22	
	10B	10B	13C	13C	14D	13C	14D	14D	16D	14D	16D	16D	20E	16D	20E	21E	25F	21E	25F	26F	26F	26F	26F	26F	31G	31G
04	22	23	28	28		29																				
05			37	38	40	39	41	46		48		56		59												
06			49	50		51		58	61	61	64	68		72		105	113	111	118	141	148	183				
07					77		78	83		86		93	102	96	105	130	137	136	143	166	173	208	265	305		

3

Compact units with helical-worm gearboxes

GSS □□-3K

Gearbox size	Compact unit																		
	GSS□□-3K H□R with drive size																		
	071			080				090			100								
	-12		-32		-12		-32		-12		-32		-12	-32	-12	-32	-12	-32	
	10B	10B	13C	13C	14D	13C	14D	14D	14D	14D	14D	14D	14D	14D	16D	16D	16D	16D	
05	32		33			39					40								
06				53		54					55								
07				82			85					86		91		93		98	102

Additional weights

Gearbox size	Solid shaft	2nd output shaft end	Hollow shaft with shrink disk	Flange	Torque plate	Torque plate
	V□□	V□□	S□□	□□K	Housing foot	Pitch circle
04	0.6	0.2	0.3	2.5	1.3	0.9
05	1	0.3	0.6	4	2.2	1.3
06	2.5	0.8	1	7	3.7	2.1
07	5	1.5	1.5	11	6.6	3.7

Weights in [kg] with oil filling for mounting position A.
All values are approximate values.



Disco variable speed drives

With helical gearboxes

Selection tables	4-2
Dimensions	
GST □□ - 1	4-18
GST □□ - 2	4-21
GST □□ - 3	4-24
Additional dimensions GST	
Output design VAR	4-27
Output design VAL	4-27

With helical-bevel gearboxes

Selection tables	4-28
Dimensions	
GKS □□ - 3	4-40
GKS □□ - 4	4-44
Additional dimensions GKS	
Torque plate at housing foot	4-48
Torque plate at pitch circle	4-49
Hollow shaft with shrink disc	4-50
Hollow shaft protection – jet-proof	4-51
with 2nd output shaft end	4-52
Mounting kit – hollow shaft retention	4-53
Design proposal for auxiliary tools	4-53

With helical-worm gearboxes

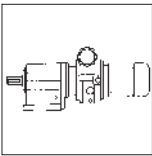
Selection tables	4-54
Dimensions	
GSS □□ - 2	4-60
Additional dimensions GSS	
Torque plate at housing foot	4-64
Torque plate at pitch circle	4-65
Hollow shaft with shrink disc	4-66
Hollow shaft protection – jet-proof	4-67
with 2nd output shaft end	4-68
Mounting kit – hollow shaft retention	4-69
Design proposal for auxiliary tools	4-69

Without gearboxes

Selection tables	
with motor	4-70
with free input shaft	4-71
Dimensions	
with motor	4-72
with free input shaft	4-74

Additional dimensions – attachments

Speed adjustment units	
Spindle box	4-76
Bevel wheel adjustment	4-77
Electrical remote adjustment	4-78
Speed measuring units	
Position indicators	4-80
Indicators for direction of rotation	4-80
Analog displays	4-80



Disco variable speed drives

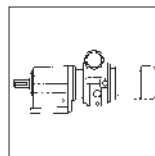
Selection tables with helical gearboxes

P ₁	50 Hz		i	Disco variable speed drives	Dim. Page	
	n ₂ [min ⁻¹]	M ₂ [Nm]				
0.25 kW	581 - 97	3.2 - 6.3	1.600	GST □□ - 1D GST04 - 1D □□□ 071-12 02C	4-18	
	454 - 76	4 - 8.1	2.048	GST04 - 1D □□□ 071-12 02C		
	415 - 69	4.4 - 8.8	2.240	GST04 - 1D □□□ 071-12 02C		
	326 - 54	5.6 - 11	2.857	GST04 - 1D □□□ 071-12 02C		
	266 - 44	6.9 - 14	3.500	GST04 - 1D □□□ 071-12 02C		
	211 - 35	8.7 - 17	4.400	GST04 - 1D □□□ 071-12 02C		
	164 - 27	11 - 22	5.667	GST04 - 1D □□□ 071-12 02C		
	127 - 21	14 - 29	7.333	GST05 - 1D □□□ 071-12 02C		
	104 - 17	18 - 35	8.900	GST05 - 1D □□□ 071-12 02C		
				GST □□ - 2D		4-21
	315 - 52	5.7 - 11	2.956	GST04 - 2D □□□ 071-12 02C		
	229 - 38	7.9 - 16	4.053	GST04 - 2D □□□ 071-12 02C		
	179 - 30	10 - 20	5.187	GST04 - 2D □□□ 071-12 02C		
	145 - 24	12 - 25	6.400	GST04 - 2D □□□ 071-12 02C		
	116 - 19	16 - 31	8.000	GST04 - 2D □□□ 071-12 02C		
	94 - 16	19 - 38	9.856	GST04 - 2D □□□ 071-12 02C		
	74 - 12	24 - 49	12.571	GST04 - 2D □□□ 071-12 02C		
	60 - 10	30 - 60	15.400	GST04 - 2D □□□ 071-12 02C		
	48 - 8	38 - 70	19.360	GST04 - 2D □□□ 071-12 02C		
	37 - 6.2	48 - 71	24.933	GST04 - 2D □□□ 071-12 02C		
	29 - 4.8	63 - 125	32.267	GST05 - 2D □□□ 071-12 02C		
	24 - 4	76 - 152	39.160	GST05 - 2D □□□ 071-12 02C		
	21 - 3.5	86 - 149	44.500	GST05 - 2D □□□ 071-12 02C		
	19 - 3.1	96 - 192	49.500	GST06 - 2D □□□ 071-12 02C		
	17 - 2.8	109 - 218	56.250	GST06 - 2D □□□ 071-12 02C		
				GST □□ - 3D	4-24	
	16 - 2.7	108 - 155	56.667	GST05 - 3D □□□ 071-12 02C		
	17 - 2.9	103 - 206	53.900	GST06 - 3D □□□ 071-12 02C		
	15 - 2.4	121 - 146	63.467	GST05 - 3D □□□ 071-12 02C		
	14 - 2.3	130 - 259	67.760	GST06 - 3D □□□ 071-12 02C		
	13 - 2.2	136 - 167	71.238	GST05 - 3D □□□ 071-12 02C		
	13 - 2.2	134 - 268	70.156	GST06 - 3D □□□ 071-12 02C		
	11 - 1.9	147 - 147	80.952	GST05 - 3D □□□ 071-12 02C		
	11 - 1.9	155 - 309	80.952	GST06 - 3D □□□ 071-12 02C		
	10 - 1.7	170 - 170	91.746	GST05 - 3D □□□ 071-12 02C		
	11 - 1.8	167 - 334	87.267	GST06 - 3D □□□ 071-12 02C		
	9.4 - 1.6	148 - 148	99.167	GST05 - 3D □□□ 071-12 02C		
	9.4 - 1.6	190 - 335	99.167	GST06 - 3D □□□ 071-12 02C		
	8.5 - 1.4	210 - 375	109.707	GST06 - 3D □□□ 071-12 02C		
	7.5 - 1.2	149 - 149	124.667	GST05 - 3D □□□ 071-12 02C		
	7.5 - 1.2	238 - 339	124.667	GST06 - 3D □□□ 071-12 02C		
	6.6 - 1.1	270 - 375	141.289	GST06 - 3D □□□ 071-12 02C		
5.8 - 1	307 - 342	160.556	GST06 - 3D □□□ 071-12 02C			
5.2 - 0.9	344 - 689	180.156	GST07 - 3D □□□ 071-12 02C			
4.5 - 0.8	391 - 710	204.722	GST07 - 3D □□□ 071-12 02C			

Thermal limit not considered (see note on page 3-12)

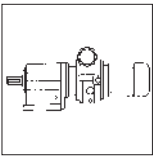
Disco variable speed drives

Selection tables with helical gearboxes



P ₁	50 Hz		i	Disco variable speed drives	Dim. Page	
	n ₂ [min ⁻¹]	M ₂ [Nm]				
0.25 kW				GST □□ - 3D	4-24	
	3.9 - 0.7	452 - 706	236.622	GST07 - 3D □□□ 071-12 02C		
	3.7 - 0.6	475 - 710	248.458	GST07 - 3D □□□ 071-12 02C		
	3.5 - 0.6	514 - 710	268.889	GST07 - 3D □□□ 071-12 02C		
	2.9 - 0.5	624 - 710	326.333	GST07 - 3D □□□ 071-12 02C		
	2.6 - 0.4	694 - 1388	363.000	GST09 - 3D □□□ 071-12 02C		
2.3 - 0.4	788 - 1577	412.500	GST09 - 3D □□□ 071-12 02C			
0.37 kW	1163 - 194	2.5 - 5	1.600	GST □□ - 1D	4-18	
	908 - 151	3.2 - 6.5	2.048	GST04 - 1D □□□ 071-11 02C		
	830 - 138	3.5 - 7.1	2.240	GST04 - 1D □□□ 071-11 02C		
	651 - 109	4.5 - 9	2.857	GST04 - 1D □□□ 071-11 02C		
	531 - 89	5.5 - 11	3.500	GST04 - 1D □□□ 071-11 02C		
	423 - 70	6.9 - 14	4.400	GST04 - 1D □□□ 071-11 02C		
	328 - 55	8.9 - 18	5.667	GST04 - 1D □□□ 071-11 02C		
	254 - 42	12 - 23	7.333	GST05 - 1D □□□ 071-11 02C		
	209 - 35	14 - 28	8.900	GST05 - 1D □□□ 071-11 02C		
				GST □□ - 2D		4-21
	629 - 105	4.6 - 9.2	2.956	GST04 - 2D □□□ 071-11 02C		
	459 - 76	6.3 - 13	4.053	GST04 - 2D □□□ 071-11 02C		
	359 - 60	8.1 - 16	5.187	GST04 - 2D □□□ 071-11 02C		
	291 - 48	9.9 - 20	6.400	GST04 - 2D □□□ 071-11 02C		
	233 - 39	12 - 25	8.000	GST04 - 2D □□□ 071-11 02C		
	189 - 31	15 - 31	9.856	GST04 - 2D □□□ 071-11 02C		
	148 - 25	20 - 39	12.571	GST04 - 2D □□□ 071-11 02C		
	121 - 20	24 - 48	15.400	GST04 - 2D □□□ 071-11 02C		
	96 - 16	30 - 60	19.360	GST04 - 2D □□□ 071-11 02C		
	75 - 12	39 - 71	24.933	GST04 - 2D □□□ 071-11 02C		
	58 - 9.6	50 - 100	32.267	GST05 - 2D □□□ 071-11 02C		
	48 - 7.9	61 - 122	39.160	GST05 - 2D □□□ 071-11 02C		
	42 - 7	69 - 138	44.500	GST05 - 2D □□□ 071-11 02C		
	38 - 6.3	77 - 154	49.500	GST06 - 2D □□□ 071-11 02C		
	33 - 5.5	87 - 175	56.250	GST06 - 2D □□□ 071-11 02C		
				GST □□ - 3D	4-24	
	33 - 5.5	87 - 155	56.667	GST05 - 3D □□□ 071-11 02C		
	35 - 5.8	82 - 165	53.900	GST06 - 3D □□□ 071-11 02C		
	29 - 4.9	97 - 146	63.467	GST05 - 3D □□□ 071-11 02C		
	27 - 4.6	104 - 207	67.760	GST06 - 3D □□□ 071-11 02C		
	26 - 4.4	109 - 167	71.238	GST05 - 3D □□□ 071-11 02C		
	27 - 4.4	107 - 215	70.156	GST06 - 3D □□□ 071-11 02C		
	23 - 3.8	124 - 147	80.952	GST05 - 3D □□□ 071-11 02C		
23 - 3.8	124 - 248	80.952	GST06 - 3D □□□ 071-11 02C			
20 - 3.4	140 - 170	91.746	GST05 - 3D □□□ 071-11 02C			
21 - 3.6	133 - 267	87.267	GST06 - 3D □□□ 071-11 02C			
19 - 3.1	138 - 148	99.167	GST05 - 3D □□□ 071-11 02C			

Thermal limit not considered (see note on page 3-12)



Disco variable speed drives

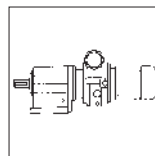
Selection tables with helical gearboxes

P ₁	50 Hz		i	Disco variable speed drives	Dim. Page
	n ₂ [min ⁻¹]	M ₂ [Nm]			
0.37 kW	19 - 3.1	152 - 303	99.167	GST □□ - 3D	4-24
	17 - 2.8	168 - 336	109.707	GST06 - 3D □□□ 071-11 02C	
	15 - 2.5	139 - 149	124.667	GST05 - 3D □□□ 071-11 02C	
	15 - 2.5	191 - 339	124.667	GST06 - 3D □□□ 071-11 02C	
	13 - 2.2	216 - 375	141.289	GST06 - 3D □□□ 071-11 02C	
	12 - 1.9	246 - 342	160.556	GST06 - 3D □□□ 071-11 02C	
0.55 kW	1200 - 209	3.5 - 6.9	1.600	GST □□ - 1D	4-18
	938 - 164	4.4 - 8.9	2.048	GST04 - 1D □□□ 071-31 03C	
	938 - 164	4.4 - 8.9	2.048	GST04 - 1D □□□ 071-31 03C	
	857 - 150	4.9 - 9.7	2.240	GST05 - 1D □□□ 071-31 03C	
	857 - 150	4.9 - 9.7	2.240	GST04 - 1D □□□ 071-31 03C	
	857 - 150	4.9 - 9.7	2.240	GST05 - 1D □□□ 071-31 03C	
	672 - 117	6.2 - 12	2.857	GST04 - 1D □□□ 071-31 03C	
	672 - 117	6.2 - 12	2.857	GST05 - 1D □□□ 071-31 03C	
	549 - 96	7.6 - 15	3.500	GST04 - 1D □□□ 071-31 03C	
	549 - 96	7.6 - 15	3.500	GST05 - 1D □□□ 071-31 03C	
	436 - 76	9.5 - 19	4.400	GST04 - 1D □□□ 071-31 03C	
	421 - 74	9.9 - 20	4.556	GST05 - 1D □□□ 071-31 03C	
	339 - 59	12 - 25	5.667	GST04 - 1D □□□ 071-31 03C	
	339 - 59	12 - 25	5.667	GST05 - 1D □□□ 071-31 03C	
	262 - 46	16 - 32	7.333	GST05 - 1D □□□ 071-31 03C	
	216 - 38	19 - 39	8.900	GST05 - 1D □□□ 071-31 03C	
				GST □□ - 2D	4-21
	650 - 113	6.3 - 13	2.956	GST04 - 2D □□□ 071-31 03C	
	474 - 83	8.7 - 17	4.053	GST04 - 2D □□□ 071-31 03C	
	370 - 65	11 - 22	5.187	GST04 - 2D □□□ 071-31 03C	
	370 - 65	11 - 22	5.187	GST05 - 2D □□□ 071-31 03C	
	300 - 52	14 - 27	6.400	GST04 - 2D □□□ 071-31 03C	
	300 - 52	14 - 27	6.400	GST05 - 2D □□□ 071-31 03C	
	240 - 42	17 - 34	8.000	GST04 - 2D □□□ 071-31 03C	
	235 - 41	17 - 35	8.163	GST05 - 2D □□□ 071-31 03C	
	195 - 34	21 - 42	9.856	GST04 - 2D □□□ 071-31 03C	
	192 - 34	21 - 43	10.000	GST05 - 2D □□□ 071-31 03C	
	153 - 27	27 - 54	12.571	GST04 - 2D □□□ 071-31 03C	
	148 - 26	28 - 56	13.016	GST05 - 2D □□□ 071-31 03C	
	125 - 22	33 - 66	15.400	GST04 - 2D □□□ 071-31 03C	
	119 - 21	35 - 69	16.191	GST05 - 2D □□□ 071-31 03C	
	99 - 17	41 - 70	19.360	GST04 - 2D □□□ 071-31 03C	
	96 - 17	43 - 86	20.044	GST05 - 2D □□□ 071-31 03C	
77 - 13	53 - 71	24.933	GST04 - 2D □□□ 071-31 03C		
77 - 13	53 - 106	24.933	GST05 - 2D □□□ 071-31 03C		
60 - 10	69 - 138	32.267	GST05 - 2D □□□ 071-31 03C		
49 - 8.6	84 - 165	39.160	GST05 - 2D □□□ 071-31 03C		
39 - 6.8	106 - 211	49.500	GST06 - 2D □□□ 071-31 03C		
34 - 6	120 - 240	56.250	GST06 - 2D □□□ 071-31 03C		

Thermal limit not considered (see note on page 3-12)

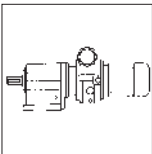
Disco variable speed drives

Selection tables with helical gearboxes



P ₁	50 Hz		i	Disco variable speed drives	Dim. Page
	n ₂ [min ⁻¹]	M ₂ [Nm]			
0.55 kW				GST □□ - 3D	4-24
	34 - 5.9	119 - 155	56.667	GST05 - 3D □□□ 071-31 03C	
	36 - 6.2	113 - 227	53.900	GST06 - 3D □□□ 071-31 03C	
	30 - 5.3	133 - 146	63.467	GST05 - 3D □□□ 071-31 03C	
	28 - 4.9	142 - 285	67.760	GST06 - 3D □□□ 071-31 03C	
	27 - 4.7	150 - 167	71.238	GST05 - 3D □□□ 071-31 03C	
	27 - 4.8	148 - 295	70.156	GST06 - 3D □□□ 071-31 03C	
	24 - 4.1	135 - 147	80.952	GST05 - 3D □□□ 071-31 03C	
	24 - 4.1	170 - 332	80.952	GST06 - 3D □□□ 071-31 03C	
	21 - 3.7	157 - 170	91.746	GST05 - 3D □□□ 071-31 03C	
	22 - 3.8	183 - 367	87.267	GST06 - 3D □□□ 071-31 03C	
	19 - 3.4	136 - 148	99.167	GST05 - 3D □□□ 071-31 03C	
	19 - 3.4	209 - 335	99.167	GST06 - 3D □□□ 071-31 03C	
	18 - 3.1	231 - 375	109.707	GST06 - 3D □□□ 071-31 03C	
	15 - 2.7	262 - 339	124.667	GST06 - 3D □□□ 071-31 03C	
	15 - 2.6	267 - 535	127.176	GST07 - 3D □□□ 071-31 03C	
	14 - 2.4	297 - 375	141.289	GST06 - 3D □□□ 071-31 03C	
	14 - 2.4	293 - 585	139.211	GST07 - 3D □□□ 071-31 03C	
	12 - 2.1	315 - 342	160.556	GST06 - 3D □□□ 071-31 03C	
	12 - 2.1	333 - 665	158.194	GST07 - 3D □□□ 071-31 03C	
	11 - 1.9	379 - 706	180.156	GST07 - 3D □□□ 071-31 03C	
	9.4 - 1.6	430 - 710	204.722	GST07 - 3D □□□ 071-31 03C	
	8.1 - 1.4	497 - 706	236.622	GST07 - 3D □□□ 071-31 03C	
	8.1 - 1.4	497 - 995	236.622	GST09 - 3D □□□ 071-31 03C	
	7.7 - 1.3	522 - 710	248.458	GST07 - 3D □□□ 071-31 03C	
	7.6 - 1.3	530 - 1060	252.167	GST09 - 3D □□□ 071-31 03C	
	7.1 - 1.2	565 - 710	268.889	GST07 - 3D □□□ 071-31 03C	
	7.1 - 1.2	565 - 1131	268.889	GST09 - 3D □□□ 071-31 03C	
	5.9 - 1	654 - 710	326.333	GST07 - 3D □□□ 071-31 03C	
	5.9 - 1	686 - 1372	326.333	GST09 - 3D □□□ 071-31 03C	
5.3 - 0.9	763 - 1526	363.000	GST09 - 3D □□□ 071-31 03C		
4.7 - 0.8	867 - 1623	412.500	GST09 - 3D □□□ 071-31 03C		
0.75 kW				GST □□ - 1D	4-18
	594 - 103	9.5 - 19	1.600	GST04 - 1D □□□ 080-32 04D	
	594 - 103	9.5 - 19	1.600	GST05 - 1D □□□ 080-32 04D	
	464 - 81	12 - 23	2.048	GST04 - 1D □□□ 080-32 04D	
	464 - 81	12 - 24	2.048	GST05 - 1D □□□ 080-32 04D	
	464 - 81	12 - 24	2.048	GST06 - 1D □□□ 080-32 04D	
	424 - 74	13 - 25	2.240	GST04 - 1D □□□ 080-32 04D	
	424 - 74	13 - 26	2.240	GST05 - 1D □□□ 080-32 04D	
	424 - 74	13 - 26	2.240	GST06 - 1D □□□ 080-32 04D	
	333 - 58	17 - 25	2.857	GST04 - 1D □□□ 080-32 04D	
	333 - 58	17 - 34	2.857	GST05 - 1D □□□ 080-32 04D	
	333 - 58	17 - 34	2.857	GST06 - 1D □□□ 080-32 04D	
	271 - 47	21 - 25	3.500	GST04 - 1D □□□ 080-32 04D	
	271 - 47	21 - 41	3.500	GST05 - 1D □□□ 080-32 04D	
	271 - 47	21 - 41	3.500	GST06 - 1D □□□ 080-32 04D	
	209 - 36	27 - 54	4.556	GST05 - 1D □□□ 080-32 04D	
	209 - 36	27 - 54	4.556	GST06 - 1D □□□ 080-32 04D	

Thermal limit not considered (see note on page 3-12)



Disco variable speed drives

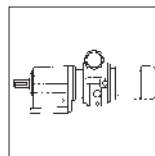
Selection tables with helical gearboxes

P ₁	50 Hz		i	Disco variable speed drives	Dim. Page
	n ₂ [min ⁻¹]	M ₂ [Nm]			
0.75 kW	168 - 29	33 - 54	5.667	GST □□ - 1D	4-18
	168 - 29	33 - 67	5.667	GST05 - 1D □□□ 080-32 04D GST06 - 1D □□□ 080-32 04D	
	130 - 23	43 - 87	7.333	GST06 - 1D □□□ 080-32 04D	
	107 - 19	53 - 85	8.900	GST06 - 1D □□□ 080-32 04D	
				GST □□ - 2D	4-21
	321 - 56	17 - 34	2.956	GST04 - 2D □□□ 080-32 04D GST05 - 2D □□□ 080-32 04D	
	321 - 56	17 - 34	2.956	GST04 - 2D □□□ 080-32 04D GST05 - 2D □□□ 080-32 04D	
	234 - 41	24 - 45	4.053	GST04 - 2D □□□ 080-32 04D GST05 - 2D □□□ 080-32 04D	
	234 - 41	24 - 47	4.053	GST04 - 2D □□□ 080-32 04D GST05 - 2D □□□ 080-32 04D	
	183 - 32	30 - 50	5.187	GST04 - 2D □□□ 080-32 04D GST05 - 2D □□□ 080-32 04D	
	183 - 32	30 - 60	5.187	GST04 - 2D □□□ 080-32 04D GST05 - 2D □□□ 080-32 04D	
	148 - 26	37 - 55	6.400	GST04 - 2D □□□ 080-32 04D GST05 - 2D □□□ 080-32 04D	
	148 - 26	37 - 75	6.400	GST04 - 2D □□□ 080-32 04D GST05 - 2D □□□ 080-32 04D	
	119 - 21	47 - 59	8.000	GST04 - 2D □□□ 080-32 04D GST05 - 2D □□□ 080-32 04D	
	116 - 20	48 - 95	8.163	GST05 - 2D □□□ 080-32 04D GST06 - 2D □□□ 080-32 04D	
	116 - 20	48 - 95	8.163	GST06 - 2D □□□ 080-32 04D	
	96 - 17	57 - 65	9.856	GST04 - 2D □□□ 080-32 04D GST05 - 2D □□□ 080-32 04D	
	95 - 17	58 - 116	10.000	GST04 - 2D □□□ 080-32 04D GST05 - 2D □□□ 080-32 04D	
	76 - 13	69 - 69	12.571	GST04 - 2D □□□ 080-32 04D GST05 - 2D □□□ 080-32 04D	
	73 - 13	76 - 137	13.016	GST04 - 2D □□□ 080-32 04D GST05 - 2D □□□ 080-32 04D	
	62 - 11	70 - 70	15.400	GST04 - 2D □□□ 080-32 04D GST05 - 2D □□□ 080-32 04D	
	59 - 10	94 - 148	16.191	GST04 - 2D □□□ 080-32 04D GST05 - 2D □□□ 080-32 04D	
	47 - 8.2	117 - 159	20.044	GST05 - 2D □□□ 080-32 04D GST06 - 2D □□□ 080-32 04D	
	47 - 8.2	117 - 233	20.044	GST05 - 2D □□□ 080-32 04D GST06 - 2D □□□ 080-32 04D	
	38 - 6.6	145 - 162	24.933	GST05 - 2D □□□ 080-32 04D GST06 - 2D □□□ 080-32 04D	
	38 - 6.6	145 - 290	24.933	GST05 - 2D □□□ 080-32 04D GST06 - 2D □□□ 080-32 04D	
	29 - 5.1	188 - 363	32.267	GST06 - 2D □□□ 080-32 04D	
	24 - 4.2	228 - 368	39.160	GST06 - 2D □□□ 080-32 04D	
	24 - 4.2	228 - 456	39.160	GST07 - 2D □□□ 080-32 04D	
	21 - 3.7	259 - 325	44.500	GST06 - 2D □□□ 080-32 04D GST07 - 2D □□□ 080-32 04D	
	21 - 3.7	259 - 518	44.500	GST06 - 2D □□□ 080-32 04D GST07 - 2D □□□ 080-32 04D	
	19 - 3.3	288 - 492	49.500	GST07 - 2D □□□ 080-32 04D GST09 - 2D □□□ 080-32 04D	
	19 - 3.3	288 - 576	49.500	GST07 - 2D □□□ 080-32 04D GST09 - 2D □□□ 080-32 04D	
	17 - 2.9	327 - 559	56.250	GST07 - 2D □□□ 080-32 04D GST09 - 2D □□□ 080-32 04D	
	17 - 2.9	327 - 655	56.250	GST07 - 2D □□□ 080-32 04D GST09 - 2D □□□ 080-32 04D	
				GST □□ - 3D	4-24
	18 - 3.1	309 - 349	53.900	GST06 - 3D □□□ 080-32 04D GST07 - 3D □□□ 080-32 04D	
	18 - 3.1	309 - 618	53.900	GST06 - 3D □□□ 080-32 04D GST07 - 3D □□□ 080-32 04D	
	15 - 2.5	373 - 707	65.079	GST07 - 3D □□□ 080-32 04D	
	14 - 2.4	359 - 359	70.156	GST06 - 3D □□□ 080-32 04D GST07 - 3D □□□ 080-32 04D	
	14 - 2.4	402 - 706	70.156	GST06 - 3D □□□ 080-32 04D GST07 - 3D □□□ 080-32 04D	
	12 - 2	332 - 332	80.952	GST06 - 3D □□□ 080-32 04D GST07 - 3D □□□ 080-32 04D	
	12 - 2.1	457 - 710	79.762	GST06 - 3D □□□ 080-32 04D GST07 - 3D □□□ 080-32 04D	
	11 - 1.9	370 - 370	87.267	GST06 - 3D □□□ 080-32 04D GST07 - 3D □□□ 080-32 04D	
	11 - 1.9	493 - 706	85.983	GST06 - 3D □□□ 080-32 04D GST07 - 3D □□□ 080-32 04D	
	9.7 - 1.7	560 - 710	97.708	GST07 - 3D □□□ 080-32 04D	

Thermal limit not considered (see note on page 3-12)

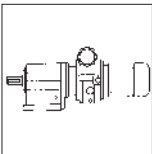
Disco variable speed drives

Selection tables with helical gearboxes



P ₁	50 Hz		i	Disco variable speed drives	Dim. Page	
	n ₂ [min ⁻¹]	M ₂ [Nm]				
0.75 kW	9.6 - 1.7	569 - 1137	99.167	GST □□ - 3D GST09 - 3D □□□ 080-32 04D	4-24	
	8.5 - 1.5	642 - 706	111.915	GST07 - 3D □□□ 080-32 04D		
	8.4 - 1.5	651 - 1303	113.585	GST09 - 3D □□□ 080-32 04D		
	7.5 - 1.3	710 - 710	127.176	GST07 - 3D □□□ 080-32 04D		
	7.4 - 1.3	740 - 1480	129.074	GST09 - 3D □□□ 080-32 04D		
	6.8 - 1.2	706 - 706	139.211	GST07 - 3D □□□ 080-32 04D		
	6.7 - 1.2	810 - 1613	141.289	GST09 - 3D □□□ 080-32 04D		
	6 - 1	710 - 710	158.194	GST07 - 3D □□□ 080-32 04D		
	5.9 - 1	921 - 1623	160.556	GST09 - 3D □□□ 080-32 04D		
	5.2 - 0.9	1048 - 1613	182.845	GST09 - 3D □□□ 080-32 04D		
	5.3 - 0.9	1033 - 2066	180.156	GST11 - 3D □□□ 080-32 04D		
	4.6 - 0.8	1191 - 1623	207.778	GST09 - 3D □□□ 080-32 04D		
	4.6 - 0.8	1191 - 2383	207.778	GST11 - 3D □□□ 080-32 04D		
	4 - 0.7	1357 - 1613	236.622	GST09 - 3D □□□ 080-32 04D		
	4 - 0.7	1357 - 2695	236.622	GST11 - 3D □□□ 080-32 04D		
	3.8 - 0.7	1446 - 1623	252.167	GST09 - 3D □□□ 080-32 04D		
	3.8 - 0.7	1446 - 2810	252.167	GST11 - 3D □□□ 080-32 04D		
	3.5 - 0.6	1542 - 1623	268.889	GST09 - 3D □□□ 080-32 04D		
	3.5 - 0.6	1542 - 2848	268.889	GST11 - 3D □□□ 080-32 04D		
	2.9 - 0.5	1623 - 1623	326.333	GST09 - 3D □□□ 080-32 04D		
	2.9 - 0.5	1871 - 2848	326.333	GST11 - 3D □□□ 080-32 04D		
	2.6 - 0.5	2081 - 2695	363.000	GST11 - 3D □□□ 080-32 04D		
	2.6 - 0.5	2081 - 4163	363.000	GST14 - 3D □□□ 080-32 04D		
	2.3 - 0.4	2365 - 2848	412.500	GST11 - 3D □□□ 080-32 04D		
	2.3 - 0.4	2365 - 4731	412.500	GST14 - 3D □□□ 080-32 04D		
	1.1 kW	1200 - 209	7.1 - 14	1.600		GST □□ - 1D GST04 - 1D □□□ 080-31 04D
1200 - 209		7.1 - 14	1.600	GST05 - 1D □□□ 080-31 04D		
938 - 164		9.1 - 18	2.048	GST04 - 1D □□□ 080-31 04D		
938 - 164		9.1 - 18	2.048	GST05 - 1D □□□ 080-31 04D		
938 - 164		9.1 - 18	2.048	GST06 - 1D □□□ 080-31 04D		
857 - 150		9.9 - 20	2.240	GST04 - 1D □□□ 080-31 04D		
857 - 150		9.9 - 20	2.240	GST05 - 1D □□□ 080-31 04D		
857 - 150		9.9 - 20	2.240	GST06 - 1D □□□ 080-31 04D		
672 - 117		13 - 25	2.857	GST04 - 1D □□□ 080-31 04D		
672 - 117		13 - 25	2.857	GST05 - 1D □□□ 080-31 04D		
672 - 117		13 - 25	2.857	GST06 - 1D □□□ 080-31 04D		
549 - 96		16 - 25	3.500	GST04 - 1D □□□ 080-31 04D		
549 - 96		16 - 31	3.500	GST05 - 1D □□□ 080-31 04D		
549 - 96		16 - 31	3.500	GST06 - 1D □□□ 080-31 04D		
421 - 74		20 - 40	4.556	GST05 - 1D □□□ 080-31 04D		
421 - 74		20 - 40	4.556	GST06 - 1D □□□ 080-31 04D		
339 - 59		25 - 50	5.667	GST05 - 1D □□□ 080-31 04D		
339 - 59		25 - 50	5.667	GST06 - 1D □□□ 080-31 04D		
262 - 46		33 - 65	7.333	GST06 - 1D □□□ 080-31 04D		
216 - 38		39 - 79	8.900	GST06 - 1D □□□ 080-31 04D		
650 - 113		13 - 26	2.956	GST □□ - 2D GST04 - 2D □□□ 080-31 04D	4-21	
650 - 113		13 - 26	2.956	GST05 - 2D □□□ 080-31 04D		

Thermal limit not considered (see note on page 3-12)



Disco variable speed drives

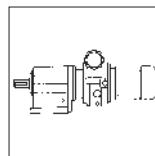
Selection tables with helical gearboxes

P ₁	50 Hz		i	Disco variable speed drives	Dim. Page
	n ₂ [min ⁻¹]	M ₂ [Nm]			
1.1 kW				GST □□ - 2D	4-21
	474 - 83	18 - 35	4.053	GST04 - 2D □□□ 080-31 04D	
	474 - 83	18 - 35	4.053	GST05 - 2D □□□ 080-31 04D	
	370 - 65	23 - 45	5.187	GST04 - 2D □□□ 080-31 04D	
	370 - 65	23 - 45	5.187	GST05 - 2D □□□ 080-31 04D	
	300 - 52	28 - 55	6.400	GST04 - 2D □□□ 080-31 04D	
	300 - 52	28 - 56	6.400	GST05 - 2D □□□ 080-31 04D	
	240 - 42	35 - 59	8.000	GST04 - 2D □□□ 080-31 04D	
	235 - 41	36 - 71	8.163	GST05 - 2D □□□ 080-31 04D	
	195 - 34	43 - 65	9.856	GST04 - 2D □□□ 080-31 04D	
	192 - 34	44 - 87	10.000	GST05 - 2D □□□ 080-31 04D	
	153 - 27	55 - 69	12.571	GST04 - 2D □□□ 080-31 04D	
	148 - 26	57 - 114	13.016	GST05 - 2D □□□ 080-31 04D	
	125 - 22	64 - 70	15.400	GST04 - 2D □□□ 080-31 04D	
	119 - 21	71 - 141	16.191	GST05 - 2D □□□ 080-31 04D	
	96 - 17	88 - 159	20.044	GST05 - 2D □□□ 080-31 04D	
	96 - 17	88 - 175	20.044	GST06 - 2D □□□ 080-31 04D	
	77 - 13	109 - 162	24.933	GST05 - 2D □□□ 080-31 04D	
	77 - 13	109 - 218	24.933	GST06 - 2D □□□ 080-31 04D	
	60 - 10	141 - 282	32.267	GST06 - 2D □□□ 080-31 04D	
	49 - 8.6	171 - 342	39.160	GST06 - 2D □□□ 080-31 04D	
	39 - 6.8	216 - 432	49.500	GST07 - 2D □□□ 080-31 04D	
	34 - 6	246 - 491	56.250	GST07 - 2D □□□ 080-31 04D	
				GST □□ - 3D	4-24
	36 - 6.2	232 - 349	53.900	GST06 - 3D □□□ 080-31 04D	
	36 - 6.2	232 - 464	53.900	GST07 - 3D □□□ 080-31 04D	
	30 - 5.1	280 - 560	65.079	GST07 - 3D □□□ 080-31 04D	
	27 - 4.8	302 - 359	70.156	GST06 - 3D □□□ 080-31 04D	
	27 - 4.8	302 - 603	70.156	GST07 - 3D □□□ 080-31 04D	
	24 - 4.1	306 - 332	80.952	GST06 - 3D □□□ 080-31 04D	
	24 - 4.2	343 - 686	79.762	GST07 - 3D □□□ 080-31 04D	
	22 - 3.8	340 - 370	87.267	GST06 - 3D □□□ 080-31 04D	
	22 - 3.9	370 - 706	85.983	GST07 - 3D □□□ 080-31 04D	
	19 - 3.4	309 - 335	99.167	GST06 - 3D □□□ 080-31 04D	
	20 - 3.4	420 - 710	97.708	GST07 - 3D □□□ 080-31 04D	
	17 - 3	481 - 706	111.915	GST07 - 3D □□□ 080-31 04D	
	17 - 2.9	488 - 977	113.585	GST09 - 3D □□□ 080-31 04D	
	15 - 2.6	547 - 710	127.176	GST07 - 3D □□□ 080-31 04D	
	15 - 2.6	555 - 1110	129.074	GST09 - 3D □□□ 080-31 04D	
	14 - 2.4	599 - 706	139.211	GST07 - 3D □□□ 080-31 04D	
14 - 2.4	608 - 1215	141.289	GST09 - 3D □□□ 080-31 04D		
12 - 2.1	654 - 710	158.194	GST07 - 3D □□□ 080-31 04D		
12 - 2.1	690 - 1381	160.556	GST09 - 3D □□□ 080-31 04D		
11 - 1.8	786 - 1573	182.845	GST09 - 3D □□□ 080-31 04D		
11 - 1.9	775 - 1550	180.156	GST11 - 3D □□□ 080-31 04D		
9.2 - 1.6	894 - 1623	207.778	GST09 - 3D □□□ 080-31 04D		
9.2 - 1.6	894 - 1787	207.778	GST11 - 3D □□□ 080-31 04D		
8.1 - 1.4	1018 - 1613	236.622	GST09 - 3D □□□ 080-31 04D		
8.1 - 1.4	1018 - 2035	236.622	GST11 - 3D □□□ 080-31 04D		

Thermal limit not considered (see note on page 3-12)

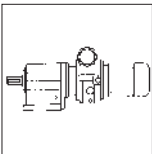
Disco variable speed drives

Selection tables with helical gearboxes



P ₁	50 Hz		i	Disco variable speed drives	Dim. Page		
	n ₂ [min ⁻¹]	M ₂ [Nm]					
1.1 kW				GST □□ - 3D	4-24		
	7.6 - 1.3	1084 - 1623	252.167	GST09 - 3D □□□ 080-31 04D			
	7.6 - 1.3	1084 - 2169	252.167	GST11 - 3D □□□ 080-31 04D			
	7.1 - 1.2	1156 - 1623	268.889	GST09 - 3D □□□ 080-31 04D			
	7.1 - 1.2	1156 - 2313	268.889	GST11 - 3D □□□ 080-31 04D			
	5.9 - 1	1403 - 1623	326.333	GST09 - 3D □□□ 080-31 04D			
	5.9 - 1	1403 - 2807	326.333	GST11 - 3D □□□ 080-31 04D			
	5.3 - 0.9	1561 - 2695	363.000	GST11 - 3D □□□ 080-31 04D			
	5.3 - 0.9	1561 - 3122	363.000	GST14 - 3D □□□ 080-31 04D			
	4.7 - 0.8	1774 - 2848	412.500	GST11 - 3D □□□ 080-31 04D			
	4.7 - 0.8	1774 - 3548	412.500	GST14 - 3D □□□ 080-31 04D			
	1.5 kW					GST □□ - 1D	4-18
		594 - 103	19 - 38	1.600		GST05 - 1D □□□ 090-32 05E	
		594 - 103	19 - 38	1.600		GST06 - 1D □□□ 090-32 05E	
464 - 81		24 - 48	2.048	GST05 - 1D □□□ 090-32 05E			
464 - 81		24 - 48	2.048	GST06 - 1D □□□ 090-32 05E			
475 - 83		24 - 47	2.000	GST07 - 1D □□□ 090-32 05E			
424 - 74		26 - 53	2.240	GST05 - 1D □□□ 090-32 05E			
424 - 74		26 - 53	2.240	GST06 - 1D □□□ 090-32 05E			
424 - 74		26 - 53	2.240	GST07 - 1D □□□ 090-32 05E			
333 - 58		34 - 53	2.857	GST05 - 1D □□□ 090-32 05E			
333 - 58		34 - 68	2.857	GST06 - 1D □□□ 090-32 05E			
333 - 58		34 - 68	2.857	GST07 - 1D □□□ 090-32 05E			
271 - 47		41 - 54	3.500	GST05 - 1D □□□ 090-32 05E			
271 - 47		41 - 83	3.500	GST06 - 1D □□□ 090-32 05E			
209 - 36		54 - 105	4.556	GST06 - 1D □□□ 090-32 05E			
209 - 36		54 - 108	4.556	GST07 - 1D □□□ 090-32 05E			
168 - 29		67 - 105	5.667	GST06 - 1D □□□ 090-32 05E			
170 - 30		66 - 132	5.583	GST07 - 1D □□□ 090-32 05E			
130 - 23		87 - 173	7.333	GST07 - 1D □□□ 090-32 05E			
107 - 19		105 - 183	8.900	GST07 - 1D □□□ 090-32 05E			
				GST □□ - 2D	4-21		
321 - 56		34 - 63	2.956	GST05 - 2D □□□ 090-32 05E			
313 - 54		35 - 71	3.033	GST06 - 2D □□□ 090-32 05E			
234 - 41		47 - 81	4.053	GST05 - 2D □□□ 090-32 05E			
228 - 40		48 - 97	4.160	GST06 - 2D □□□ 090-32 05E			
183 - 32		60 - 90	5.187	GST05 - 2D □□□ 090-32 05E			
178 - 31		62 - 124	5.324	GST06 - 2D □□□ 090-32 05E			
148 - 26		75 - 105	6.400	GST05 - 2D □□□ 090-32 05E			
148 - 26		75 - 149	6.400	GST06 - 2D □□□ 090-32 05E			
116 - 20		95 - 115	8.163	GST05 - 2D □□□ 090-32 05E			
116 - 20		95 - 190	8.163	GST06 - 2D □□□ 090-32 05E			
95 - 17		116 - 124	10.000	GST05 - 2D □□□ 090-32 05E			
95 - 17		116 - 233	10.000	GST06 - 2D □□□ 090-32 05E			
76 - 13		146 - 293	12.571	GST06 - 2D □□□ 090-32 05E			
62 - 11	179 - 318	15.400	GST06 - 2D □□□ 090-32 05E				
47 - 8.2	233 - 350	20.044	GST06 - 2D □□□ 090-32 05E				
47 - 8.2	233 - 467	20.044	GST07 - 2D □□□ 090-32 05E				
38 - 6.6	290 - 360	24.933	GST06 - 2D □□□ 090-32 05E				

Thermal limit not considered (see note on page 3-12)



Disco variable speed drives

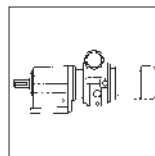
Selection tables with helical gearboxes

P ₁	50 Hz		i	Disco variable speed drives	Dim. Page	
	n ₂ [min ⁻¹]	M ₂ [Nm]				
1.5 kW	39 - 6.7	286 - 572	24.567	GST □□ - 2D GST07 - 2D □□□ 090-32 05E	4-21	
	29 - 5.1	376 - 706	32.267	GST07 - 2D □□□ 090-32 05E		
	24 - 4.2	456 - 706	39.160	GST07 - 2D □□□ 090-32 05E		
	24 - 4.2	456 - 912	39.160	GST09 - 2D □□□ 090-32 05E		
	21 - 3.7	518 - 707	44.500	GST07 - 2D □□□ 090-32 05E		
	21 - 3.7	518 - 1036	44.500	GST09 - 2D □□□ 090-32 05E		
	19 - 3.3	576 - 1002	49.500	GST09 - 2D □□□ 090-32 05E		
	19 - 3.3	576 - 1153	49.500	GST11 - 2D □□□ 090-32 05E		
	17 - 2.9	655 - 1138	56.250	GST09 - 2D □□□ 090-32 05E		
	17 - 2.9	655 - 1310	56.250	GST11 - 2D □□□ 090-32 05E		
	18 - 3.1	618 - 706	53.900	GST □□ - 3D GST07 - 3D □□□ 090-32 05E		4-24
	18 - 3.1	608 - 1217	53.044	GST09 - 3D □□□ 090-32 05E		
	16 - 2.8	665 - 1330	57.968	GST11 - 3D □□□ 090-32 05E		
	16 - 2.7	691 - 1383	60.278	GST09 - 3D □□□ 090-32 05E		
	16 - 2.7	702 - 1405	61.250	GST11 - 3D □□□ 090-32 05E		
	14 - 2.4	706 - 706	70.156	GST07 - 3D □□□ 090-32 05E		
	13 - 2.3	824 - 1477	71.867	GST09 - 3D □□□ 090-32 05E		
	13 - 2.3	814 - 1629	71.011	GST11 - 3D □□□ 090-32 05E		
	12 - 2.1	710 - 710	79.762	GST07 - 3D □□□ 090-32 05E		
	12 - 2	937 - 1584	81.667	GST09 - 3D □□□ 090-32 05E		
	12 - 2	925 - 1851	80.694	GST11 - 3D □□□ 090-32 05E		
	11 - 1.9	706 - 706	85.983	GST07 - 3D □□□ 090-32 05E		
	10 - 1.8	1073 - 1613	93.541	GST09 - 3D □□□ 090-32 05E		
	11 - 1.9	1001 - 2002	87.267	GST11 - 3D □□□ 090-32 05E		
	9.7 - 1.7	710 - 710	97.708	GST07 - 3D □□□ 090-32 05E		
	9.6 - 1.7	1137 - 1596	99.167	GST09 - 3D □□□ 090-32 05E		
	9.6 - 1.7	1137 - 2275	99.167	GST11 - 3D □□□ 090-32 05E		
	8.4 - 1.5	1303 - 1613	113.585	GST09 - 3D □□□ 090-32 05E		
	8.4 - 1.5	1295 - 2590	112.933	GST11 - 3D □□□ 090-32 05E		
	7.4 - 1.3	1480 - 1612	129.074	GST09 - 3D □□□ 090-32 05E		
	7.4 - 1.3	1480 - 2810	129.074	GST11 - 3D □□□ 090-32 05E		
	6.7 - 1.2	1613 - 1613	141.289	GST09 - 3D □□□ 090-32 05E		
	6.5 - 1.1	1686 - 2695	146.993	GST11 - 3D □□□ 090-32 05E		
	6.8 - 1.2	1596 - 3193	139.211	GST14 - 3D □□□ 090-32 05E		
	5.9 - 1	1623 - 1623	160.556	GST09 - 3D □□□ 090-32 05E		
	6 - 1	1814 - 2810	158.194	GST11 - 3D □□□ 090-32 05E		
	6 - 1	1814 - 3628	158.194	GST14 - 3D □□□ 090-32 05E		
	5.3 - 0.9	2066 - 2695	180.156	GST11 - 3D □□□ 090-32 05E		
	5.6 - 1	1962 - 3925	171.111	GST14 - 3D □□□ 090-32 05E		
	4.6 - 0.8	2383 - 2810	207.778	GST11 - 3D □□□ 090-32 05E		
	4.6 - 0.8	2348 - 4696	204.722	GST14 - 3D □□□ 090-32 05E		
	4 - 0.7	2695 - 2695	236.622	GST11 - 3D □□□ 090-32 05E		
4 - 0.7	2714 - 5427	236.622	GST14 - 3D □□□ 090-32 05E			
3.8 - 0.7	2810 - 2810	252.167	GST11 - 3D □□□ 090-32 05E			
3.8 - 0.7	2849 - 5699	248.458	GST14 - 3D □□□ 090-32 05E			
3.5 - 0.6	2848 - 2848	268.889	GST11 - 3D □□□ 090-32 05E			
3.5 - 0.6	3084 - 5920	268.889	GST14 - 3D □□□ 090-32 05E			
2.9 - 0.5	2848 - 2848	326.333	GST11 - 3D □□□ 090-32 05E			
2.9 - 0.5	3742 - 5920	326.333	GST14 - 3D □□□ 090-32 05E			

Thermal limit not considered (see note on page 3-12)

Disco variable speed drives

Selection tables with helical gearboxes

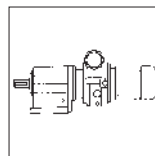


P ₁	50 Hz		i	Disco variable speed drives	Dim. Page
	n ₂ [min ⁻¹]	M ₂ [Nm]			
1.5 kW				GST □□ - 3D	4-24
	2.6 - 0.5	4163 - 5779	363.000	GST14 - 3D □□□ 090-32 05E	
	2.3 - 0.4	4731 - 5920	412.500	GST14 - 3D □□□ 090-32 05E	
2.2 kW				GST □□ - 1D	4-18
	1200 - 209	14 - 28	1.600	GST05 - 1D □□□ 090-31 05E	
	1200 - 209	14 - 28	1.600	GST06 - 1D □□□ 090-31 05E	
	938 - 164	18 - 36	2.048	GST05 - 1D □□□ 090-31 05E	
	938 - 164	18 - 36	2.048	GST06 - 1D □□□ 090-31 05E	
	960 - 168	18 - 35	2.000	GST07 - 1D □□□ 090-31 05E	
	857 - 150	20 - 40	2.240	GST05 - 1D □□□ 090-31 05E	
	857 - 150	20 - 40	2.240	GST06 - 1D □□□ 090-31 05E	
	857 - 150	20 - 40	2.240	GST07 - 1D □□□ 090-31 05E	
	672 - 117	25 - 51	2.857	GST05 - 1D □□□ 090-31 05E	
	672 - 117	25 - 51	2.857	GST06 - 1D □□□ 090-31 05E	
	672 - 117	25 - 51	2.857	GST07 - 1D □□□ 090-31 05E	
	549 - 96	31 - 54	3.500	GST05 - 1D □□□ 090-31 05E	
	549 - 96	31 - 62	3.500	GST06 - 1D □□□ 090-31 05E	
	549 - 96	31 - 62	3.500	GST07 - 1D □□□ 090-31 05E	
	421 - 74	40 - 81	4.556	GST06 - 1D □□□ 090-31 05E	
	421 - 74	40 - 81	4.556	GST07 - 1D □□□ 090-31 05E	
	339 - 59	50 - 100	5.667	GST06 - 1D □□□ 090-31 05E	
	344 - 60	50 - 99	5.583	GST07 - 1D □□□ 090-31 05E	
	262 - 46	65 - 130	7.333	GST07 - 1D □□□ 090-31 05E	
	216 - 38	79 - 158	8.900	GST07 - 1D □□□ 090-31 05E	
				GST □□ - 2D	4-21
	650 - 113	26 - 52	2.956	GST05 - 2D □□□ 090-31 05E	
	633 - 110	26 - 53	3.033	GST06 - 2D □□□ 090-31 05E	
	474 - 83	35 - 71	4.053	GST05 - 2D □□□ 090-31 05E	
	462 - 81	36 - 73	4.160	GST06 - 2D □□□ 090-31 05E	
	370 - 65	45 - 90	5.187	GST05 - 2D □□□ 090-31 05E	
	361 - 63	46 - 93	5.324	GST06 - 2D □□□ 090-31 05E	
	300 - 52	56 - 105	6.400	GST05 - 2D □□□ 090-31 05E	
	300 - 52	56 - 112	6.400	GST06 - 2D □□□ 090-31 05E	
	235 - 41	71 - 115	8.163	GST05 - 2D □□□ 090-31 05E	
	235 - 41	71 - 143	8.163	GST06 - 2D □□□ 090-31 05E	
	192 - 34	87 - 124	10.000	GST05 - 2D □□□ 090-31 05E	
	192 - 34	87 - 175	10.000	GST06 - 2D □□□ 090-31 05E	
	153 - 27	110 - 220	12.571	GST06 - 2D □□□ 090-31 05E	
	125 - 22	134 - 269	15.400	GST06 - 2D □□□ 090-31 05E	
	96 - 17	175 - 350	20.044	GST06 - 2D □□□ 090-31 05E	
	96 - 17	175 - 350	20.044	GST07 - 2D □□□ 090-31 05E	
	77 - 13	218 - 360	24.933	GST06 - 2D □□□ 090-31 05E	
	78 - 14	215 - 429	24.567	GST07 - 2D □□□ 090-31 05E	
60 - 10	282 - 564	32.267	GST07 - 2D □□□ 090-31 05E		
49 - 8.6	342 - 684	39.160	GST07 - 2D □□□ 090-31 05E		
39 - 6.8	432 - 864	49.500	GST09 - 2D □□□ 090-31 05E		
34 - 6	491 - 982	56.250	GST09 - 2D □□□ 090-31 05E		

Thermal limit not considered (see note on page 3-12)

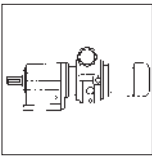
Disco variable speed drives

Selection tables with helical gearboxes



P ₁	50 Hz		i	Disco variable speed drives	Dim. Page	
	n ₂ [min ⁻¹]	M ₂ [Nm]				
3 kW	123 - 22	173 - 347	8.125	GST □□ - 2D GST07 - 2D □□□ 100-32 06G	4-21	
	101 - 18	210 - 421	9.856	GST07 - 2D □□□ 100-32 06G		
	80 - 14	268 - 537	12.571	GST07 - 2D □□□ 100-32 06G		
	65 - 11	329 - 644	15.400	GST07 - 2D □□□ 100-32 06G		
	49 - 8.5	438 - 877	20.533	GST09 - 2D □□□ 100-32 06G		
	40 - 7	532 - 1064	24.933	GST09 - 2D □□□ 100-32 06G		
	31 - 5.4	689 - 1377	32.267	GST11 - 2D □□□ 100-32 06G		
	26 - 4.5	836 - 1672	39.160	GST11 - 2D □□□ 100-32 06G		
	22 - 3.9	950 - 1900	44.500	GST11 - 2D □□□ 100-32 06G		
	20 - 3.5	1057 - 2113	49.500	GST14 - 2D □□□ 100-32 06G		
	18 - 3.1	1201 - 2401	56.250	GST14 - 2D □□□ 100-32 06G		
	17 - 3	1219 - 2438	57.968	GST □□ - 3D GST11 - 3D □□□ 100-32 06G		4-24
	16 - 2.9	1288 - 2576	61.250	GST11 - 3D □□□ 100-32 06G		
	14 - 2.5	1493 - 2637	71.011	GST11 - 3D □□□ 100-32 06G		
	12 - 2.2	1697 - 2787	80.694	GST11 - 3D □□□ 100-32 06G		
	11 - 2	1835 - 2656	87.267	GST11 - 3D □□□ 100-32 06G		
	11 - 1.9	1967 - 3933	93.541	GST14 - 3D □□□ 100-32 06G		
	10 - 1.8	2085 - 2810	99.167	GST11 - 3D □□□ 100-32 06G		
	10 - 1.8	2022 - 4043	96.157	GST14 - 3D □□□ 100-32 06G		
	8.9 - 1.6	2374 - 2695	112.933	GST11 - 3D □□□ 100-32 06G		
	9.4 - 1.6	2235 - 4470	106.296	GST14 - 3D □□□ 100-32 06G		
	7.7 - 1.3	2739 - 5478	130.278	GST14 - 3D □□□ 100-32 06G		
	7.2 - 1.3	2927 - 5736	139.211	GST14 - 3D □□□ 100-32 06G		
	6.3 - 1.1	3326 - 5920	158.194	GST14 - 3D □□□ 100-32 06G		
	5.8 - 1	3598 - 5920	171.111	GST14 - 3D □□□ 100-32 06G		
	4 kW	615 - 108	51 - 102	1.625	GST □□ - 1D GST07 - 1D □□□ 112-22 07G	
		500 - 88	63 - 124	2.000	GST07 - 1D □□□ 112-22 07G	
		446 - 78	71 - 135	2.240	GST07 - 1D □□□ 112-22 07G	
		350 - 61	90 - 159	2.857	GST07 - 1D □□□ 112-22 07G	
		286 - 50	110 - 172	3.500	GST07 - 1D □□□ 112-22 07G	
214 - 38		147 - 294	4.667	GST09 - 1D □□□ 112-22 07G		
176 - 31		179 - 357	5.667	GST09 - 1D □□□ 112-22 07G		
328 - 57		95 - 189	3.048	GST □□ - 2D GST07 - 2D □□□ 112-22 07G	4-21	
237 - 41		131 - 262	4.225	GST07 - 2D □□□ 112-22 07G		
192 - 34		161 - 323	5.200	GST07 - 2D □□□ 112-22 07G		
156 - 27		199 - 397	6.400	GST07 - 2D □□□ 112-22 07G		
123 - 22		252 - 505	8.125	GST07 - 2D □□□ 112-22 07G		
101 - 18		306 - 549	9.856	GST07 - 2D □□□ 112-22 07G		
80 - 14		390 - 600	12.571	GST07 - 2D □□□ 112-22 07G		
65 - 11		478 - 644	15.400	GST07 - 2D □□□ 112-22 07G		

Thermal limit not considered (see note on page 3-12)



Disco variable speed drives

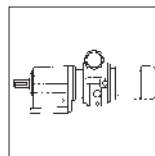
Selection tables with helical gearboxes

P ₁	50 Hz		i	Disco variable speed drives	Dim. Page	
	n ₂ [min ⁻¹]	M ₂ [Nm]				
4 kW	66 - 12	471 - 941	15.156	GST □□ - 2D GST09 - 2D □□□ 112-22 07G	4-21	
	49 - 8.5	638 - 1275	20.533	GST09 - 2D □□□ 112-22 07G		
	40 - 7	774 - 1548	24.933	GST09 - 2D □□□ 112-22 07G		
	31 - 5.4	1002 - 2004	32.267	GST11 - 2D □□□ 112-22 07G		
	26 - 4.5	1216 - 2352	39.160	GST11 - 2D □□□ 112-22 07G		
	20 - 3.5	1537 - 2888	49.500	GST14 - 2D □□□ 112-22 07G		
	18 - 3.1	1746 - 3282	56.250	GST14 - 2D □□□ 112-22 07G		
	17 - 3	1773 - 2577	57.968	GST □□ - 3D GST11 - 3D □□□ 112-22 07G		4-24
	19 - 3.3	1625 - 3251	53.148	GST14 - 3D □□□ 112-22 07G		
	16 - 2.9	1873 - 2725	61.250	GST11 - 3D □□□ 112-22 07G		
	17 - 3	1814 - 3628	59.321	GST14 - 3D □□□ 112-22 07G		
	14 - 2.5	2172 - 2637	71.011	GST11 - 3D □□□ 112-22 07G		
	14 - 2.5	2111 - 4223	69.042	GST14 - 3D □□□ 112-22 07G		
	12 - 2.2	2468 - 2787	80.694	GST11 - 3D □□□ 112-22 07G		
	13 - 2.2	2399 - 4799	78.457	GST14 - 3D □□□ 112-22 07G		
	11 - 2	2656 - 2656	87.267	GST11 - 3D □□□ 112-22 07G		
	11 - 1.9	2861 - 5524	93.541	GST14 - 3D □□□ 112-22 07G		
	10 - 1.8	2810 - 2810	99.167	GST11 - 3D □□□ 112-22 07G		
	10 - 1.8	2941 - 5881	96.157	GST14 - 3D □□□ 112-22 07G		
	8.9 - 1.6	2695 - 2695	112.933	GST11 - 3D □□□ 112-22 07G		
	9.4 - 1.6	3251 - 5920	106.296	GST14 - 3D □□□ 112-22 07G		
	7.7 - 1.3	3984 - 5920	130.278	GST14 - 3D □□□ 112-22 07G		
	7.2 - 1.3	4257 - 5736	139.211	GST14 - 3D □□□ 112-22 07G		
	6.3 - 1.1	4838 - 5920	158.194	GST14 - 3D □□□ 112-22 07G		
	5.8 - 1	5233 - 5920	171.111	GST14 - 3D □□□ 112-22 07G		
	5.5 kW	615 - 123	72 - 106	1.625	GST □□ - 1D GST07 - 1D □□□ 132-12 18H	
		641 - 128	69 - 138	1.560	GST09 - 1D □□□ 132-12 18H	
		500 - 100	89 - 124	2.000	GST07 - 1D □□□ 132-12 18H	
		488 - 98	91 - 182	2.048	GST09 - 1D □□□ 132-12 18H	
		446 - 89	99 - 135	2.240	GST07 - 1D □□□ 132-12 18H	
429 - 86		103 - 207	2.333	GST09 - 1D □□□ 132-12 18H		
356 - 71		125 - 249	2.810	GST09 - 1D □□□ 132-12 18H		
290 - 58		153 - 305	3.444	GST09 - 1D □□□ 132-12 18H		
328 - 66		133 - 266	3.048	GST □□ - 2D GST07 - 2D □□□ 132-12 18H	4-21	
299 - 60		146 - 293	3.350	GST07 - 2D □□□ 132-12 18H		
237 - 47		184 - 369	4.225	GST07 - 2D □□□ 132-12 18H		
247 - 49		177 - 354	4.056	GST09 - 2D □□□ 132-12 18H		
192 - 38		227 - 427	5.200	GST07 - 2D □□□ 132-12 18H		
188 - 38		232 - 465	5.324	GST09 - 2D □□□ 132-12 18H		
156 - 31		279 - 463	6.400	GST07 - 2D □□□ 132-12 18H		
150 - 30		291 - 582	6.667	GST09 - 2D □□□ 132-12 18H		
123 - 25		355 - 539	8.125	GST07 - 2D □□□ 132-12 18H		

Thermal limit not considered (see note on page 3-12)

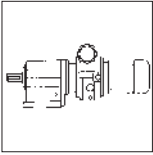
Disco variable speed drives

Selection tables with helical gearboxes



P ₁	50 Hz		i	Disco variable speed drives	Dim. Page	
	n ₂ [min ⁻¹]	M ₂ [Nm]				
5.5 kW	125 - 25	350 - 701	8.027	GST □□ - 2D GST09 - 2D □□□ 132-12 18H	4-21	
	101 - 20	430 - 549	9.856	GST07 - 2D □□□ 132-12 18H		
	97 - 19	448 - 896	10.267	GST09 - 2D □□□ 132-12 18H		
	81 - 16	540 - 1079	12.362	GST09 - 2D □□□ 132-12 18H		
	66 - 13	662 - 1323	15.156	GST09 - 2D □□□ 132-12 18H		
	49 - 9.9	886 - 1772	20.289	GST11 - 2D □□□ 132-12 18H		
	40 - 8	1089 - 2177	24.933	GST11 - 2D □□□ 132-12 18H		
	31 - 6.2	1409 - 2818	32.267	GST14 - 2D □□□ 132-12 18H		
	26 - 5.1	1710 - 3419	39.160	GST14 - 2D □□□ 132-12 18H		
	23 - 4.7	1831 - 3662	42.580	GST14 - 3D □□□ 132-12 18H		
	21 - 4.1	2081 - 4162	48.386	GST14 - 3D □□□ 132-12 18H		
	19 - 3.8	2286 - 4571	53.148	GST14 - 3D □□□ 132-12 18H		
	17 - 3.4	2551 - 5102	59.321	GST14 - 3D □□□ 132-12 18H		
	14 - 2.9	2969 - 4917	69.042	GST14 - 3D □□□ 132-12 18H		
	13 - 2.5	3374 - 5587	78.457	GST14 - 3D □□□ 132-12 18H		
	10 - 2.1	4135 - 5882	96.157	GST14 - 3D □□□ 132-12 18H		
	7.5 kW	615 - 123	93 - 106	1.625		GST □□ - 1D GST07 - 1D □□□ 132-22 08H
641 - 128		89 - 178	1.560	GST09 - 1D □□□ 132-22 08H		
500 - 100		114 - 124	2.000	GST07 - 1D □□□ 132-22 08H		
488 - 98		117 - 234	2.048	GST09 - 1D □□□ 132-22 08H		
446 - 89		128 - 135	2.240	GST07 - 1D □□□ 132-22 08H		
429 - 86		133 - 267	2.333	GST09 - 1D □□□ 132-22 08H		
356 - 71		161 - 321	2.810	GST09 - 1D □□□ 132-22 08H		
290 - 58		197 - 394	3.444	GST09 - 1D □□□ 132-22 08H		
328 - 66		172 - 343	3.048	GST □□ - 2D GST07 - 2D □□□ 132-22 08H	4-21	
237 - 47		238 - 398	4.225	GST07 - 2D □□□ 132-22 08H		
247 - 49		228 - 456	4.056	GST09 - 2D □□□ 132-22 08H		
192 - 38		293 - 427	5.200	GST07 - 2D □□□ 132-22 08H		
188 - 38		300 - 599	5.324	GST09 - 2D □□□ 132-22 08H		
156 - 31		360 - 463	6.400	GST07 - 2D □□□ 132-22 08H		
150 - 30		375 - 750	6.667	GST09 - 2D □□□ 132-22 08H		
123 - 25		457 - 539	8.125	GST07 - 2D □□□ 132-22 08H		
125 - 25		452 - 903	8.027	GST09 - 2D □□□ 132-22 08H		
101 - 20		549 - 549	9.856	GST07 - 2D □□□ 132-22 08H		
97 - 19		578 - 1155	10.267	GST09 - 2D □□□ 132-22 08H		
81 - 16		696 - 1253	12.362	GST09 - 2D □□□ 132-22 08H		
80 - 16		707 - 1415	12.571	GST11 - 2D □□□ 132-22 08H		
66 - 13		853 - 1340	15.156	GST09 - 2D □□□ 132-22 08H		
65 - 13		867 - 1733	15.400	GST11 - 2D □□□ 132-22 08H		
49 - 9.9		1142 - 2283	20.289	GST11 - 2D □□□ 132-22 08H		
40 - 8		1403 - 2777	24.933	GST11 - 2D □□□ 132-22 08H		
41 - 8.1		1382 - 2765	24.567	GST14 - 2D □□□ 132-22 08H		
31 - 6.2		1816 - 3631	32.267	GST14 - 2D □□□ 132-22 08H		

Thermal limit not considered (see note on page 3-12)

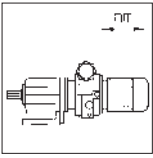


Disco variable speed drives

Selection tables with helical gearboxes

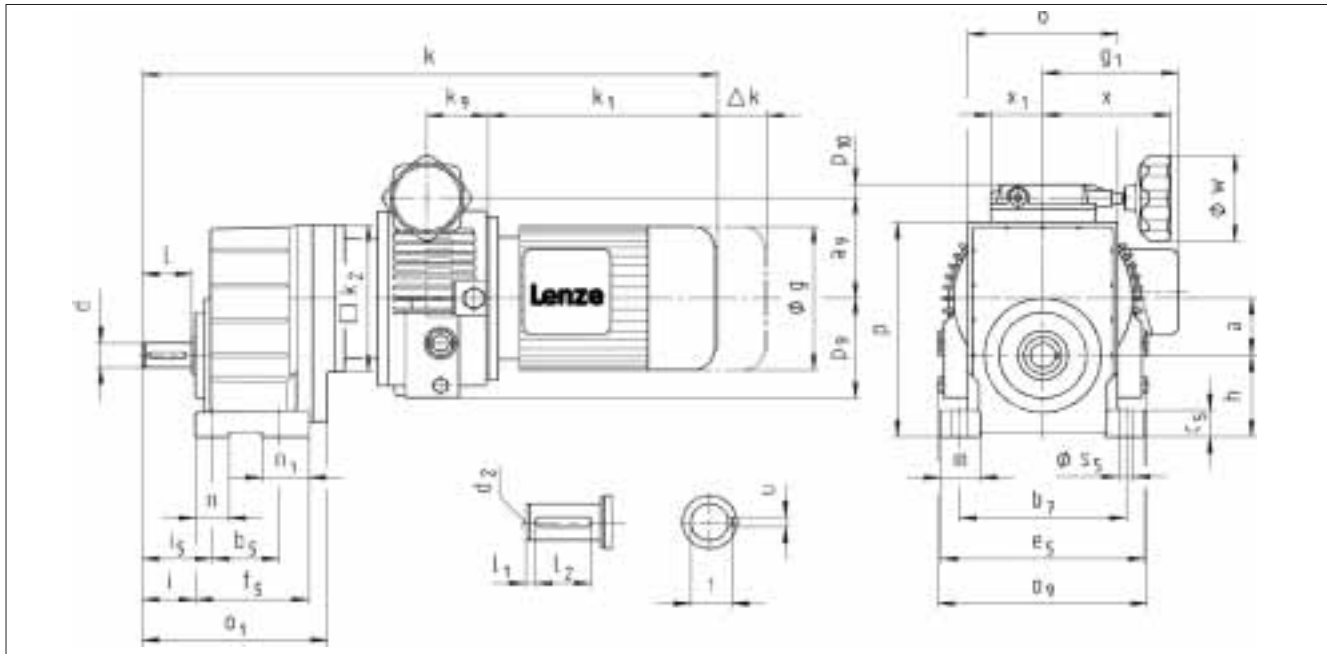
P ₁	50 Hz		i	Disco variable speed drives	Dim. Page
	n ₂ [min ⁻¹]	M ₂ [Nm]			
7.5 kW	26 - 5.1	2204 - 4407	39.160	GST □□ - 1D GST14 - 2D □□□ 132-22 08H GST14 - 2D □□□ 132-22 08H	4-21
	22 - 4.5	2504 - 5008	44.500		
	21 - 4.1	2682 - 4843	48.386	GST □□ - 3D GST14 - 3D □□□ 132-22 08H GST14 - 3D □□□ 132-22 08H GST14 - 3D □□□ 132-22 08H GST14 - 3D □□□ 132-22 08H GST14 - 3D □□□ 132-22 08H GST14 - 3D □□□ 132-22 08H GST14 - 3D □□□ 132-22 08H	4-24
	19 - 3.8	2946 - 4779	53.148		
	17 - 3.4	3288 - 5267	59.321		
	14 - 2.9	3827 - 4917	69.042		
	13 - 2.5	4349 - 5587	78.457		
	10 - 2.1	5330 - 5882	96.157		

Thermal limit not considered (see note on page 3-12)



DISCO variable speed drives

Dimensions with helical gearboxes



4

DISCO variable speed drives		Drive size												
GST □□ - 1 D VBR		071-1□ 02	071-3□ 03	080-11 04 080-3□ 04	090-11 05 090-3□ 05	100-32 06	112-22 07	132-12 18	132-22 08					
Motor	g	143	143	160	180	206	222	274	274					
	g₁ Without options	128	128	137	147	140	174	196	196					
	Brake motor	131	131	142	154	151	174	212	212					
	k₁	237	237	267	350	316	379	450	450					
	Δk Brake	54	54	36	48	111	80	63	63					
DISCO	a₉	83	86	103	123	149		190						
	k₂	145	145	180	180	265		300						
	k₉	42	50	58	74	82		104						
	o₉	150	175	215	253	305		379						
	p₉	65	83	98	122	145		176						
	p₁₀	14	14	17	17	17		26						
	w	70	70	105	105	105		160						
	x	105	105	152	152	152		195 1)						
	x₁	43	43	63	63	63		111						
Gearbox size	Gearbox					Total length								
	o*	o₁	p*	h**	a	k								
GST 04	100	134	138	50	36	508	521	581	714					
GST 05	115	165	168	63	45	529	542	602	737					
GST 06	145	191	211	80	56			625	766	763	826	933	933	
GST 07	180	223	264	100	70					766	763	826	933	933
GST 09	222	271	329	125	89					766	806	869	976	976

Gearbox size	Solid shaft							Foot										
	d k6	l	l₁	l₂	d₂	u	t	b₅	b₇	c₅	e₅	f₅	i	i₅	m	n	n₁	s₅
GST 04	16	32	6	20	M5	5	18	55	105	17	128	80	35	45	24	20	25	9
GST 05	20	40	6	28	M6	6	22.5	70	125	22	154	99	43	56	32	26	29	11
GST 06	25	50	4	40	M10	8	28	72	160	27	194	115	53	68	37	30	43	13.5
GST 07	30	60	7.5	45	M10	8	33	80	200	35	245	137	64	84	47.5	40	57	18
GST 09	40	80	8.5	63	M16	12	43	105	245	43	296	161	84	107	50.5	45	56	18

Dimensions in [mm]

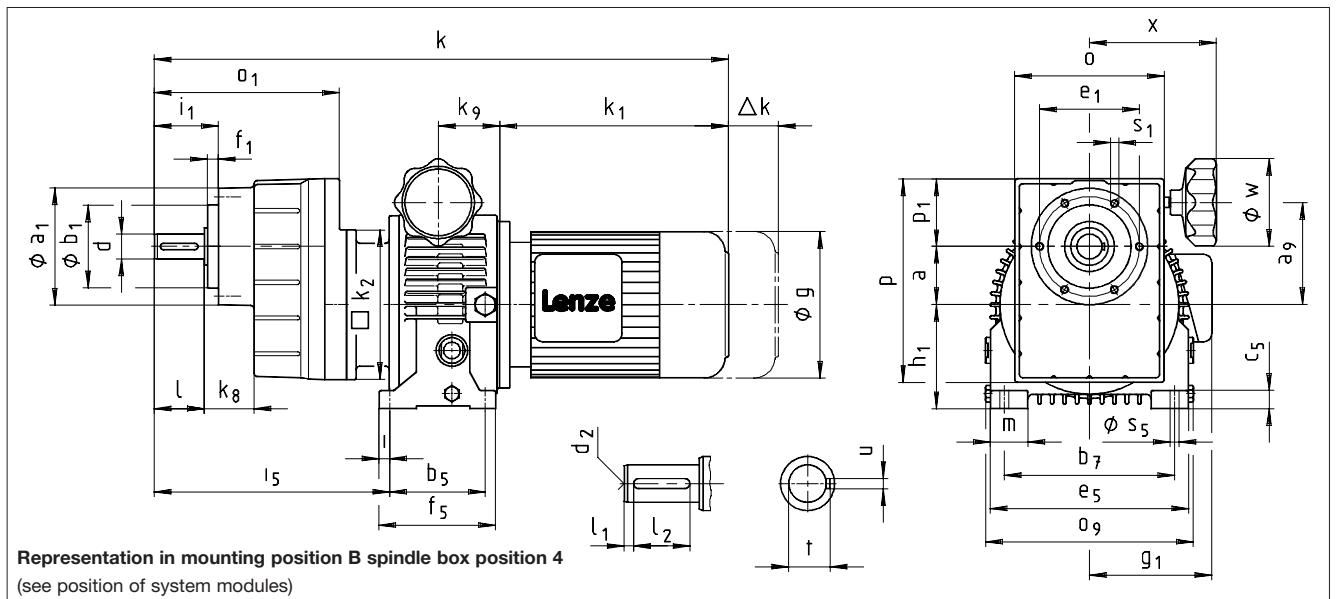
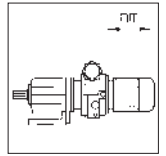
1) Plus 80 mm handle

* Observe dimension k_2

** Observe dimension p_9

DISCO variable speed drives

Dimensions with helical gearboxes



Representation in mounting position B spindle box position 4
(see position of system modules)

DISCO variable speed drives GST □□ - 1 D VCR		Drive size									
		071-1□ 02	071-3□ 03	080-11 04 080-3□ 04	090-11 05 090-3□ 05						
Motor	g	143	143	160	180						
	g ₁ Without options	128	128	137	147						
	g ₁ Brake motor	131	131	142	154						
	k ₁	237	237	267	350						
	Δk Brake	54	54	36	48						
DISCO	a ₉	83	86	103	123						
	k ₂	145	145	180	180						
	k ₉	42	50	58	74						
	o ₉	150	175	215	253						
	w	70	70	105	105						
	x	105	105	152	152						
	Fuß	b ₅	90	90	100	115					
b ₇	110	120	150	205							
c ₅	3.5	14	17	22							
e ₅	140	160	200	238							
f ₅	110	125	134	140							
m	25	32	40	45							
s ₅	10	10	11	11							
h ₁	67 2)	80	102	125							
i	10	17.5	17.5	12.5							
i ₅ GST 04	183	189	206								
i ₅ GST 05		210	227	232							
i ₅ GST 06			250	255							
i ₅ GST 07				284							
Gearbox size	Gearbox						Total length				
	o*	o ₁	p*	p ₁	a	k ₈	k				
GST 04	100	134	129	41	36	35	508	521	581		
GST 05	115	165	156	51	45	43		542	602		714
GST 06	145	191	194	63	56	48			625		737
GST 07	180	223	245	82	70	60					766

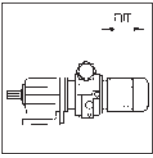
Gearbox size	Solid shaft							Pitch circle					
	d k6	l	l ₁	l ₂	d ₂	u	t	a ₁	b ₁ h7	e ₁	f ₁	i ₁	s ₁ 6 x 60°
GST 04	16	32	6	20	M5	5	18	72	48	61	8	43	M5x10
GST 05	20	40	6	28	M6	6	22.5	88	58	74	9	52	M6x12
GST 06	25	50	7	36	M10	8	28	109	70	90	11	64	M8x14
GST 07	30	60	7.5	45	M10	8	33	140	100	120	13	77	M10x18

Dimensions in [mm]

1) Plus 80 mm handle

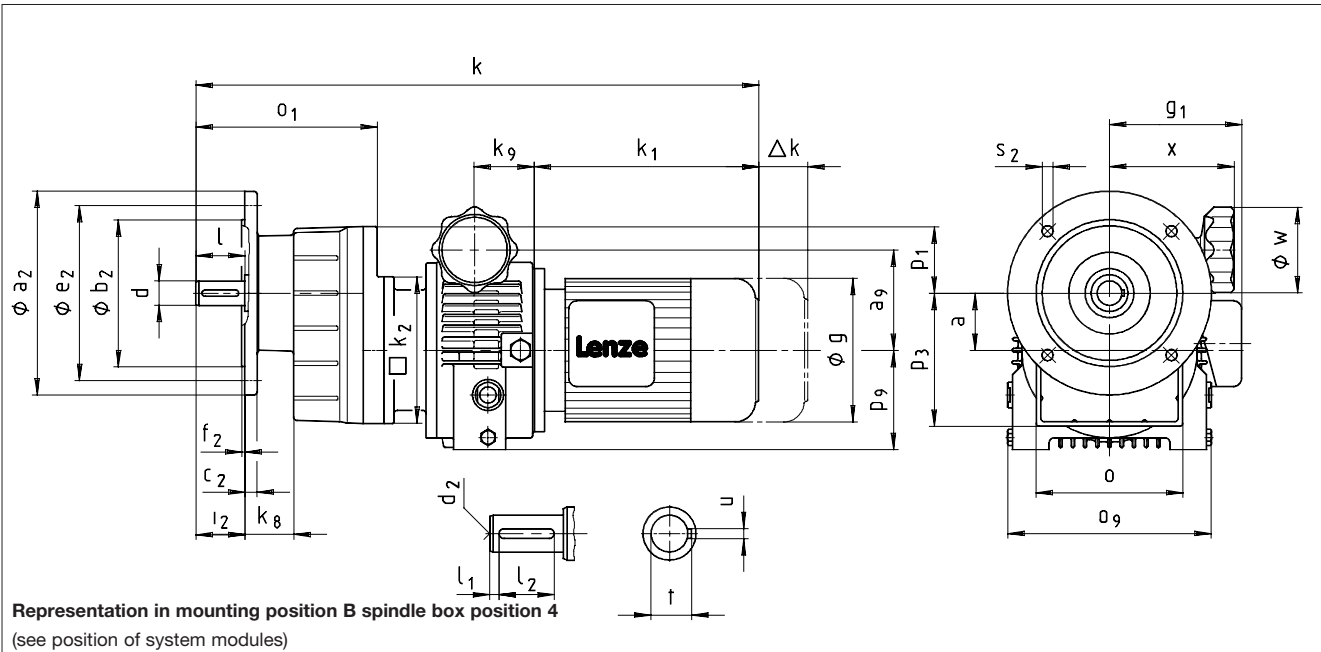
* Observe dimension k₂

2) h₁ < g/2 < k₂/2



DISCO variable speed drives

Dimensions with helical gearboxes



4

DISCO variable speed drives		Drive size												
GST □□ - 1 D VCK		071-1□ 02	071-3□ 03	080-11 04 080-3□ 04	090-11 05 090-3□ 05	100-32 06	112-22 07	132-12 18	132-22 08					
Motor	g	143	143	160	180	206	222	274	274					
	g₁ Without options	128	128	137	147	140	174	196	196					
	Brake motor	131	131	142	154	151	174	212	212					
	k₁	237	237	267	350	316	379	450	450					
	Δk Brake	54	54	36	48	111	80	63	63					
DISCO	a₉	83	86	103	123	149		190						
	k₂	145	145	180	180	265		300						
	k₉	42	50	58	74	82		104						
	o₉	150	175	215	253	305		379						
	p₉	65	83	98	122	145		176						
	w	70	70	105	105	105		160						
	x	105	105	152	152	152		195 1)						
Gearbox size	Gearbox						Total length							
	o*	o₁	p₁	p₃*	a	k₈	k							
GST 04	100	134	41	88	36	35	508	521	581					
GST 05	115	165	51	105	45	43	529	542	602	714				
GST 06	145	191	63	131	56	48			625	737				
GST 07	180	223	82	164	70	60				766	763	826	933	933
GST 09	222	271	101	204	89	74					806	869	976	976

Gearbox size	d k6	l	l₁	Solid shaft				Output flange						
				l₂	d₂	u	t	a₂	b₂ j7	c₂	e₂	f₂	i₂	s₂ 4x90°
GST 04	16	32	6	20	M5	5	18	120	80	10	100	3	32	7
								140	95		115	3		9
								160	110		130	3.5		9
GST 05	20	40	6	28	M6	6	22.5	120	80	10	100	3	40	7
								140	95		115	3		9
								160	110		130	3.5		9
								200	130		12	165		3.5
GST 06	25	50	7	36	M10	8	28	160	110	12	130	3.5	50	9
								200	130		165	4		11
GST 07	30	60	7.5	45	M10	8	33	200	130	14	165	3.5	60	11
								250	180		15	215		4
GST 09	40	80	8.5	63	M16	12	43	250	180	16	215	4	80	13.5
								300	230		18	265		

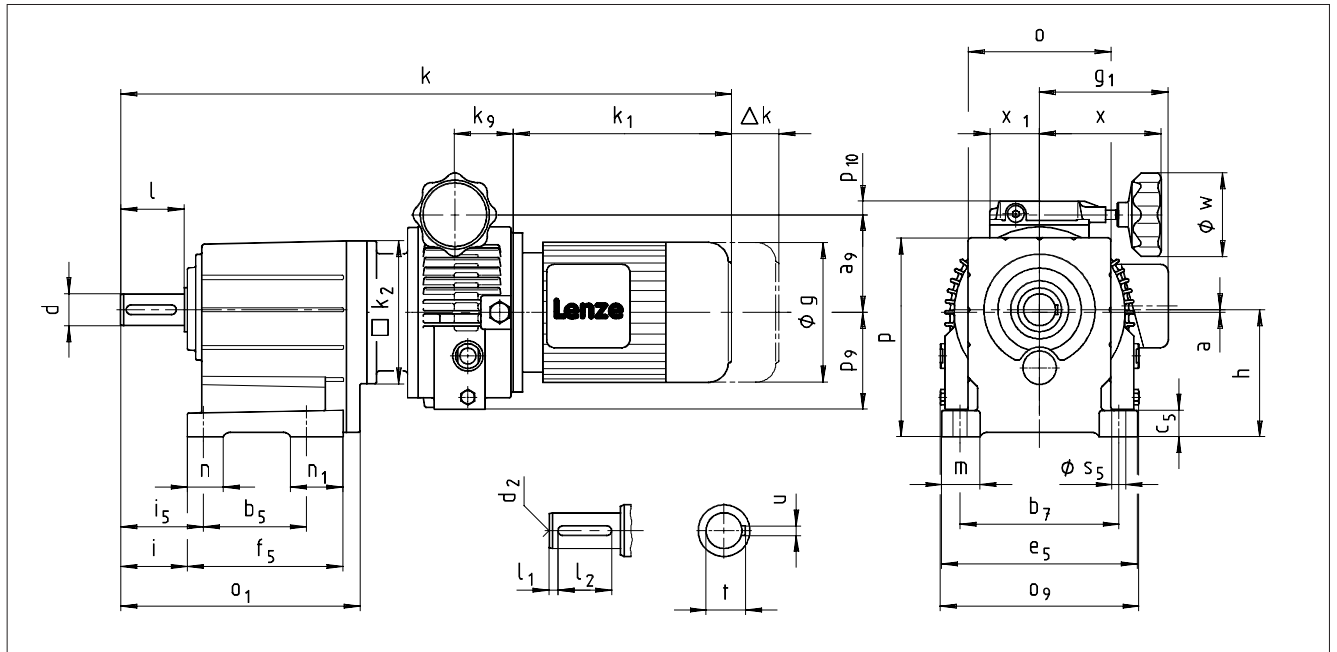
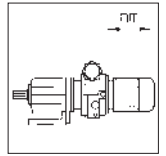
Dimensions in [mm]

1) Plus 80 mm handle

* Observe dimension k₂

DISCO variable speed drives

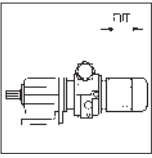
Dimensions with helical gearboxes



DISCO variable speed drives		Drive size																
GST □□ - 2 D VBR		071-1□ 02	071-3□ 03	080-3□ 04	090-3□ 05	100-32 06	112-22 07	132-12 18	132-22 08									
Motor	g	143	143	160	180	206	222	274	274									
	g₁	Without options	128	128	137	147	140	174	196	196								
		Brake motor	131	131	142	154	151	174	212	212								
	k₁	237	237	267	350	316	379	450	450									
	Δk Brake	54	54	36	48	111	80	63	63									
DISCO	a₉	83	86	103	123	149		190										
	k₂	145	145	180	180	265		300										
	k₉	42	50	58	74	82		104										
	o₉	150	175	215	253	305		379										
	p₉	65	83	98	122	145		176										
	p₁₀	14	14	17	17	17		26										
	w	70	70	105	105	105		160										
	x	105	105	152	152	152		195 1)										
x₁	43	43	63	63	63		111											
Gearbox size	Gearbox					Total length												
	o*	o₁	p*	h**	a	k												
GST 04	100	174	132	80	0	548	561	621										
GST 05	115	214	159	100	1	578	591	651	763									
GST 06	145	243	198	125	2	604	617	677	789									
GST 07	180	302	251	160	3			733	845	842	905	1012	1012					
GST 09	222	370	311	200	4			796	908	905	968	1075	1075					
GST 11	270	433	385	250	4				965	962	1025	1132	1132					
GST 14	328	533	479	315	6					1052	1115	1222	1222					

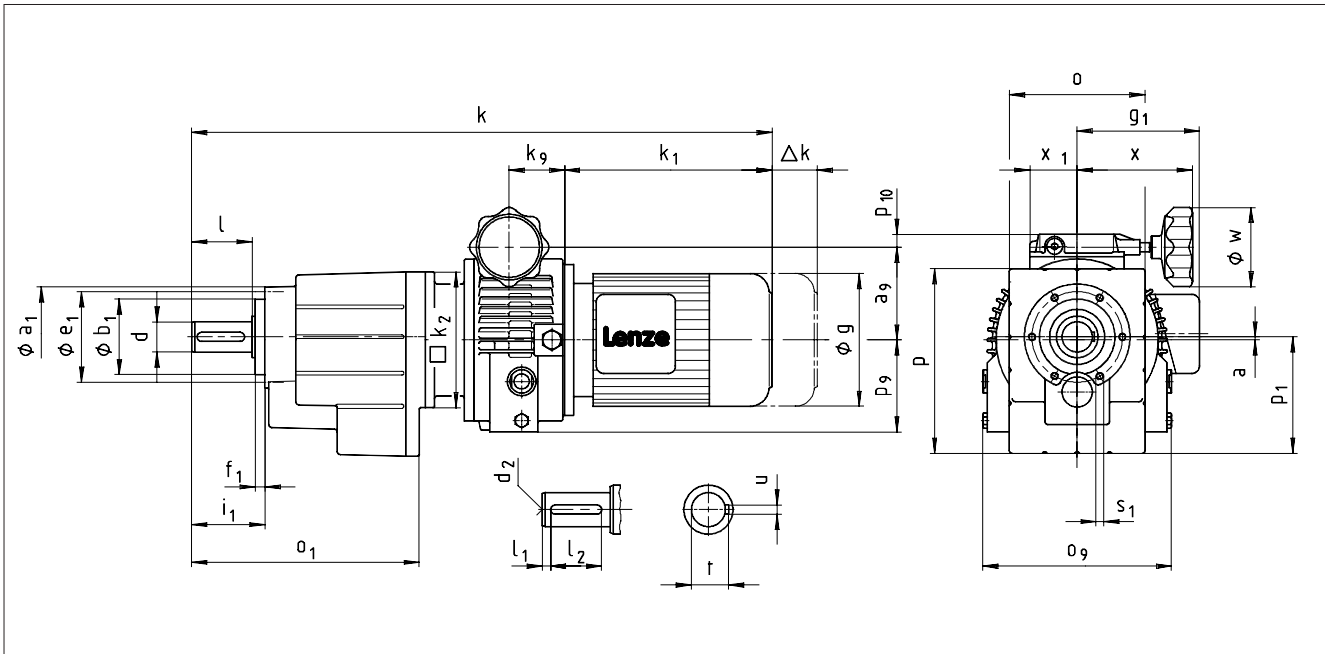
Gearbox size	Solid shaft								Foot									
	d	l	l₁	l₂	d₂	u	t	b₅	b₇	c₅	e₅	f₅	i	i₅	m	n	n₁	s₅
GST 04	20	40	5	28	M6	6	22.5	76	105	18	129	112	43	53	25	20	36	9
GST 05	25	50	4	40	M10	8	28	90	125	23	155	139	53	66	33	26	49	11
GST 06	30	60	6	45	M10	8	33	106	160	28	196	157	64	79	38	35	52	13.5
GST 07	40	80	7	63	M16	12	43	130	200	34	247	196	84	104	49	45	66	18
GST 09	50	100	8	80	M16	14	53.5	165	245	44	298	239	105	127.5	54	48	74	18
GST 11	60	120	8	100	M20	18	64	200	300	54	368	280	125	155	69	65	80	22
GST 14	80	160	15	125	M20	22	85	250	380	65	460	340	165	200	85	85	91	26

Dimensions in [mm] d ≤ 50 mm: k6 * Observe dimension k₂ 1) Plus 80 mm handle
d > 50 mm: m6 ** Observe dimension p₉



DISCO variable speed drives

Dimensions with helical gearboxes



4

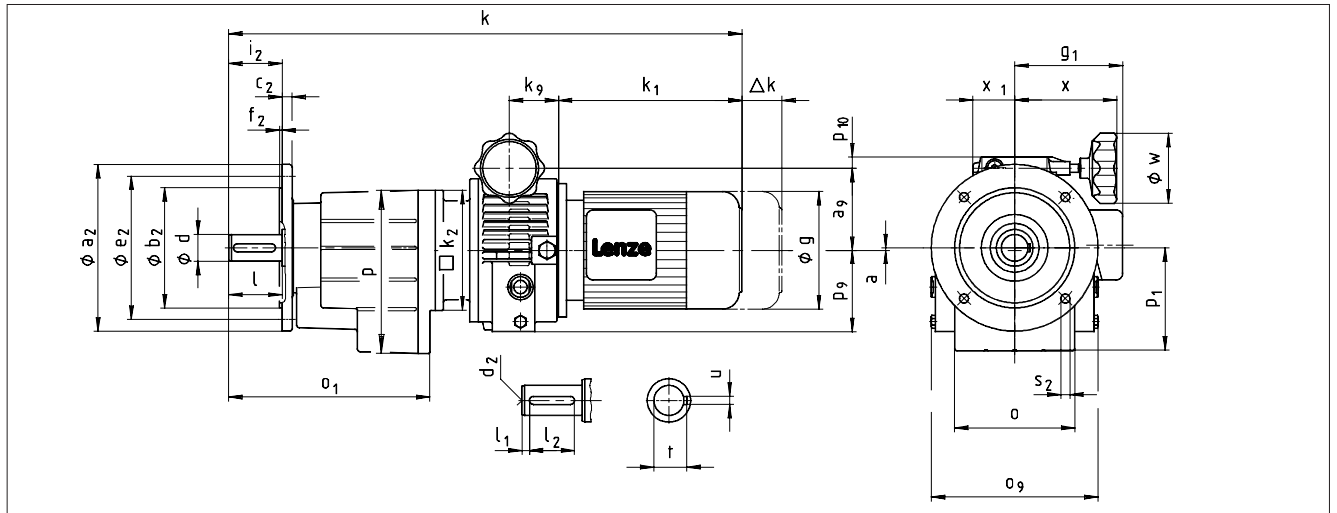
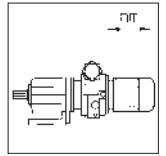
DISCO variable speed drives GST □□ - 2 D VCR		Drive size												
		071-1□ 02	071-3□ 03	080-3□ 04	090-3□ 05	100-32 06	112-22 07	132-12 18	132-22 08					
Motor	g	143	143	160	180	206	222	274	274					
	g₁	Without options	128	128	137	147	140	174	196	196				
		Brake motor	131	131	142	154	151	174	212	212				
	k₁	237	237	267	350	316	379	450	450					
	Δk Brake	54	54	36	48	111	80	63	63					
DISCO	a₉	83	86	103	123	149		190						
	k₂	145	145	180	180	265		300						
	k₉	42	50	58	74	82		104						
	o₉	150	175	215	253	305		379						
	p₉	65	83	98	122	145		176						
	p₁₀	14	14	17	17	17		26						
	w	70	70	105	105	105		160						
	x	105	105	152	152	152		195 1)						
x₁	43	43	63	63	63		111							
Gearbox size	Gearbox					Total length								
	o*	o₁	p*	p₁	a	k								
GST 04	100	174	129	77	0	548	561	621						
GST 05	115	214	156	98	1	578	591	651	763					
GST 06	145	243	194	121	2	604	617	677	789					
GST 07	180	302	245	155	3			733	845	842	905	1012	1012	
GST 09	222	370	304	194	4			796	908	905	968	1075	1075	
GST 11	270	433	378	243	4				965	962	1025	1132	1132	
GST 14	328	533	470	306	6					1052	1115	1222	1222	

Gearbox size	Solid shaft							Pitch circle					
	d	l	l ₁	l ₂	d ₂	u	t	a ₁	b ₁ h7	e ₁	f ₁	i ₁	s ₁ 6 x 60°
GST 04	20	40	5	28	M6	6	22.5	72	48	61	8	51	M5x10
GST 05	25	50	4	40	M10	8	28	88	58	74	9	62	M6x12
GST 06	30	60	6	45	M10	8	33	109	70	90	10	74	M8x14
GST 07	40	80	7	63	M16	12	43	140	100	120	13	97	M10x18
GST 09	50	100	8	80	M16	14	53.5	174	120	145	15	120	M12x20
GST 11	60	120	8	100	M20	18	64	215	150	185	18	143	M16x26
GST 14	80	160	15	125	M20	22	85	265	195	230	22	187	M20x34

Dimensions in [mm] d ≤ 50 mm: k6 * Observe dimension k₂
d > 50 mm: m6 1) Plus 80 mm handle

DISCO variable speed drives

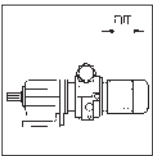
Dimensions with helical gearboxes



DISCO variable speed drives		Drive size											
GST □□ - 2 D VCK		071-1□ 02	071-3□ 03	080-3□ 04	090-3□ 05	100-32 06	112-22 07	132-12 18	132-22 08				
Motor	g	143	143	160	180	206	222	274	274				
	g₁	Without options	128	128	137	147	140	174	196	196			
		Brake motor	131	131	142	154	151	174	212	212			
	k₁	237	237	267	350	316	379	450	450				
	Δk Brake	54	54	36	48	111	80	63	63				
DISCO	a₉	83	86	103	123	149		190					
	k₂	145	145	180	180	265		300					
	k₉	42	50	58	74	82		104					
	o₉	150	175	215	253	305		379					
	p₉	65	83	98	122	145		176					
	p₁₀	14	14	17	17	17		26					
	w	70	70	105	105	105		160					
	x	105	105	152	152	152		195 1)					
	x₁	43	43	63	63	63		111					
	Gearbox size	Gearbox					Total length						
o*		o₁	p*	p₁	a	k							
GST 04	100	174	129	77	0	548	561	621					
GST 05	115	214	156	98	1	578	591	651	763				
GST 06	145	243	194	121	2	604	617	677	789				
GST 07	180	302	245	155	3			733	845	842	905	1012	1012
GST 09	222	370	304	194	4			796	908	905	968	1075	1075
GST 11	270	433	378	243	4			965		962	1025	1132	1132
GST 14	328	533	470	306	6					1052	1115	1222	1222

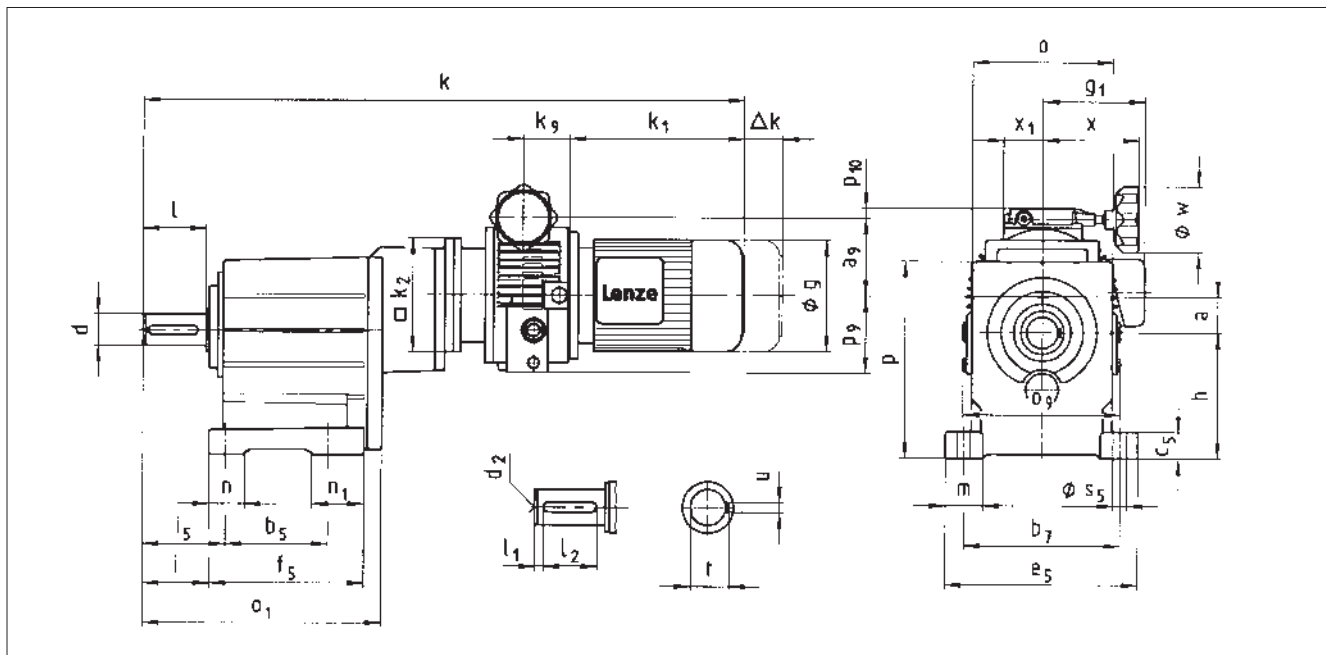
Gearbox size	d	l	l ₁	Solid shaft				Output flange						
				l ₂	d ₂	u	t	a ₂	b ₂ j7	c ₂	e ₂	f ₂	i ₂	s ₂ 4x90°
GST 04	20	40	5	28	M6	6	22.5	120	80	10	100	3	40	7
								140	95		115	3		9
								160	110		130	3.5		9
GST 05	25	50	4	40	M10	8	28	120	80	10	100	3	50	7
								140	95		115	3		9
								160	110		130	3.5		9
								200	130		165	3.5		11
GST 06	30	60	6	45	M10	8	33	160	110	12	130	3.5	60	9
								200	130		165	3.5		11
GST 07	40	80	7	63	M16	12	43	200	130	14	165	3.5	80	11
								250	180		215	4		14
GST 09	50	100	8	80	M16	14	53.5	250	180	16	215	4	100	14
								300	230		265	4		14
GST 11	60	120	8	100	M20	18	64	300	230	18	265	4	120	14
								350	250		300	5		18
GST 14	80	160	15	125	M20	22	85	350	250	22	300	5	160	18
								400	300		350	5		18

Dimensions in [mm] d ≤ 50 mm: k6
 d > 50 mm: m6 * Observe dimension k₂
 1) Plus 80 mm handle



DISCO variable speed drives

Dimensions with helical gearboxes



4

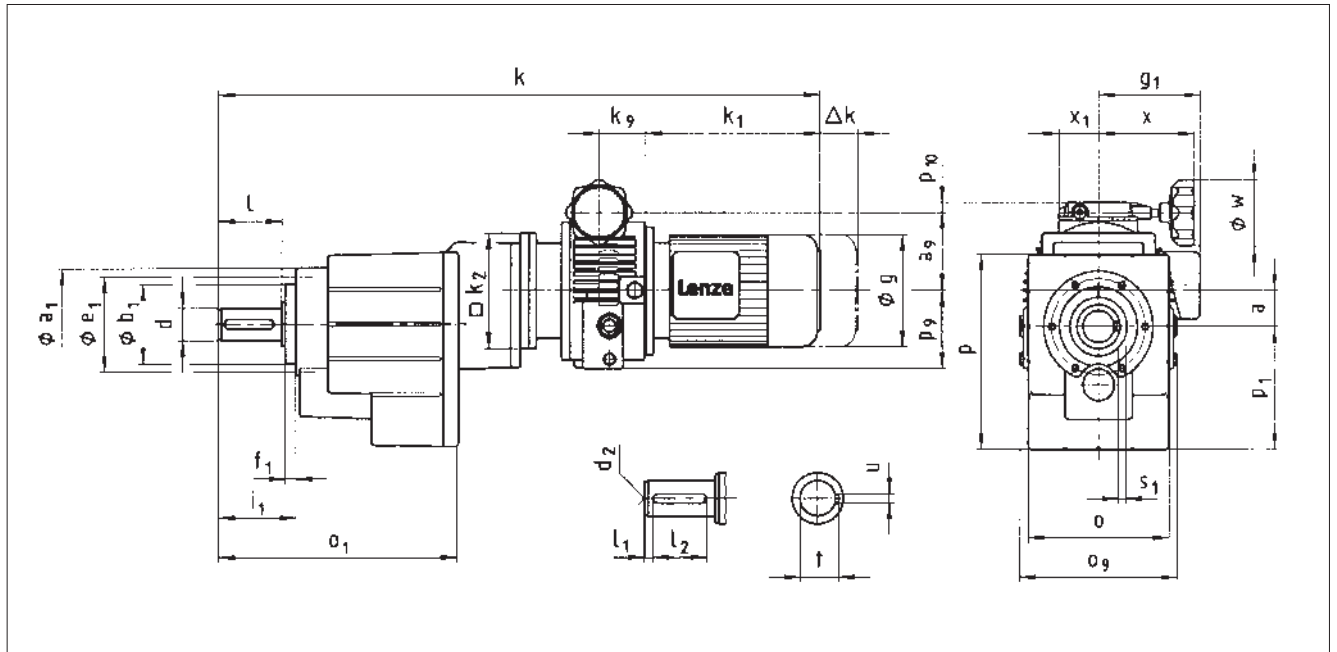
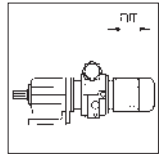
DISCO variable speed drives		Drive size																
GST □□ - 3 D VBR		071-1□ 02	071-3□ 03	080-3□ 04	090-3□ 05	100-32 06	112-22 07	132-12 18	132-22 08									
Motor	g	143	143	160	180	206	222	274	274									
	g₁ Without options	128	128	137	147	140	174	196	196									
	Brake motor	131	131	142	154	151	174	212	212									
	k₁	237	237	267	350	316	379	450	450									
	Δk Brake	54	54	36	48	111	80	63	63									
DISCO	a₉	83	86	103	123	149		190										
	k₂	145	145	180	180	265		300										
	k₉	42	50	58	74	82		104										
	o₉	150	175	215	253	305		379										
	p₉	65	83	98	122	145		176										
	p₁₀	14	14	17	17	17		26										
	w	70	70	105	105	105		160										
	x	105	105	152	152	152		195 1)										
x₁	43	43	63	63	63		111											
Gearbox size	Gearbox					Total length												
	o*	o₁	p*	h	a	k												
GST 05	115	208	159	100	35	654	668											
GST 06	145	240	198	125	34	697	711	771										
GST 07	180	302	251	160	42	764	778	838	950									
GST 09	222	370	311	200	52	845	859	919	1031									
GST 11	270	433	385	250	66			995	1107	1104	1167							
GST 14	328	533	479	315	83			1119	1231	1228	1291	1398	1398					

Gearbox size	Solid shaft								Foot									
	d	l	l₁	l₂	d₂	u	t	b₅	b₇	c₅	e₅	f₅	i	i₅	m	n	n₁	s₅
GST 05	25	50	4	40	M10	8	28	90	125	23	155	139	53	66	32.5	26	49	11
GST 06	30	60	6	45	M10	8	33	106	160	28	196	157	64	79	38	35	52	13.5
GST 07	40	80	7	63	M16	12	43	130	200	34	247	196	84	104	48.5	45	66	18
GST 09	50	100	8	80	M16	14	53.5	165	245	44	298	239	105	127.5	54	48	74	18
GST 11	60	120	8	100	M20	18	64	200	300	54	368	280	125	155	69	65	80	22
GST 14	80	160	15	125	M20	22	85	250	380	65	460	340	165	200	85	85	91	26

Dimensions in [mm] d ≤ 50 mm: k6 * Observe dimension k₂
d > 50 mm: m6 1) Plus 80 mm handle

DISCO variable speed drives

Dimensions with helical gearboxes

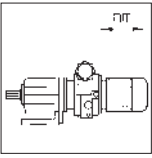


4

DISCO variable speed drives		Drive size											
GST □□ - 3 D VCR		071-1□ 02	071-3□ 03	080-3□ 04	090-3□ 05	100-32 06	112-22 07	132-12 18	132-22 08				
Motor	g	143	143	160	180	206	222	274	274				
	g₁ Without options	128	128	137	147	140	174	196	196				
	Brake motor	131	131	142	154	151	174	212	212				
	k₁	237	237	267	350	316	379	450	450				
	Δk Brake	54	54	36	48	111	80	63	63				
DISCO	a₉	83	86	103	123	149		190					
	k₂	145	145	180	180	265		300					
	k₉	42	50	58	74	82		104					
	o₉	150	175	215	253	305		379					
	p₉	65	83	98	122	145		176					
	p₁₀	14	14	17	17	17		26					
	w	70	70	105	105	105		160					
	x	105	105	152	152	152		195 1)					
	x₁	43	43	63	63	63		111					
Gearbox size	Gearbox					Total length							
	o*	o ₁	p*	p ₁	a	k							
GST 05	115	208	156	98	35	654	668						
GST 06	145	240	194	121	34	697	711	771					
GST 07	180	302	245	155	42	764	778	838	950				
GST 09	222	370	304	194	52	845	859	919	1031				
GST 11	270	433	378	243	66			995	1107	1104	1167		
GST 14	328	533	470	306	83			1119	1231	1228	1291	1398	1398

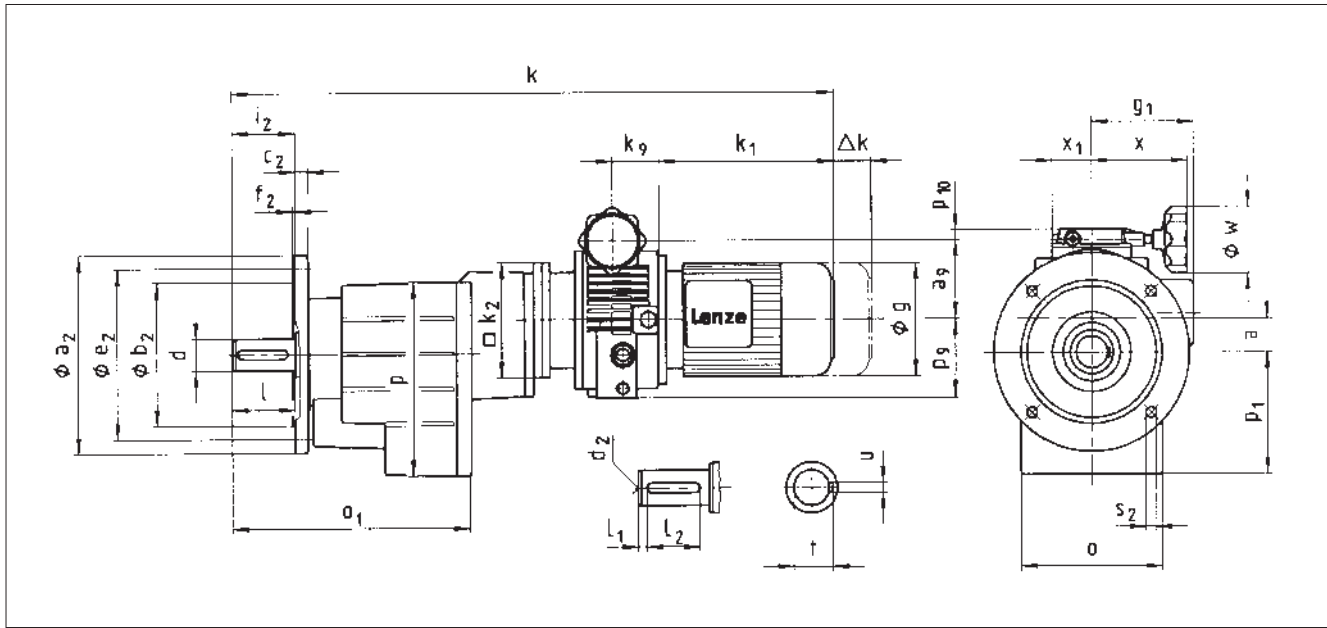
Gearbox size	Solid shaft							Pitch circle					
	d	l	l ₁	l ₂	d ₂	u	t	a ₁	b ₁ h7	e ₁	f ₁	i ₁	s ₁ 6 x 60°
GST 05	25	50	4	40	M10	8	28	88	58	74	9	62	M6x12
GST 06	30	60	6	45	M10	8	33	109	70	90	10	74	M8x14
GST 07	40	80	7	63	M16	12	43	140	100	120	13	97	M10x18
GST 09	50	100	8	80	M16	14	53.5	174	120	145	15	120	M12x20
GST 11	60	120	8	100	M20	18	64	215	150	185	18	143	M16x26
GST 14	80	160	15	125	M20	22	85	265	195	230	22	187	M20x34

Dimensions in [mm] d ≤ 50 mm: k6 * Observe dimension k₂
 d > 50 mm: m6 1) Plus 80 mm handle



DISCO variable speed drives

Dimensions with helical gearboxes

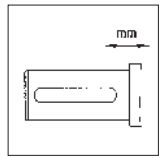


4

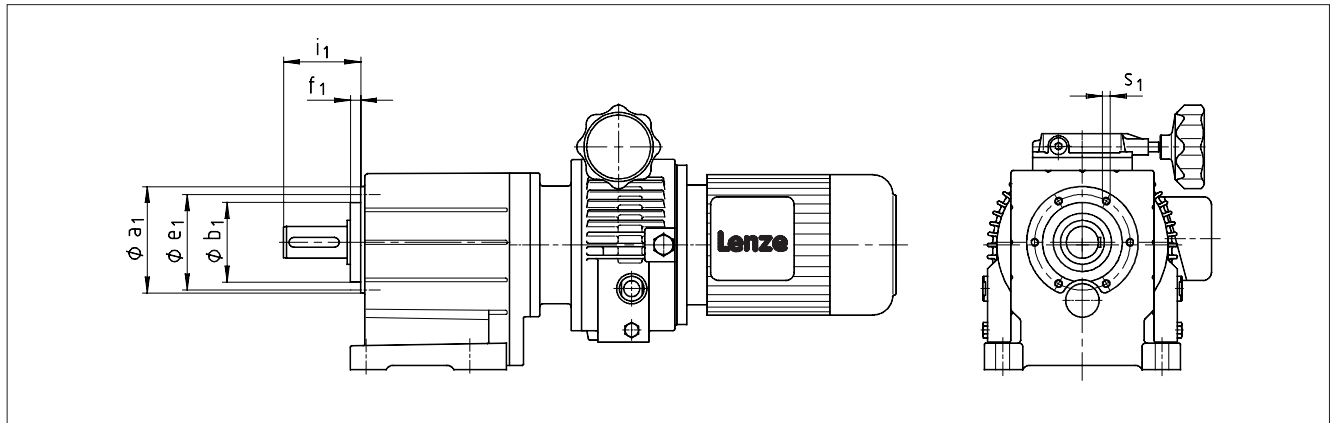
DISCO variable speed drives		Drive size												
GST □□ - 3 D VCK		071-1□ 02	071-3□ 03	080-3□ 04	090-3□ 05	100-32 06	112-22 07	132-12 18	132-22 08					
Motor	g	143	143	160	180	206	222	274	274					
	g₁	Without options	128	128	137	147	140	174	196	196				
		Brake motor	131	131	142	154	151	174	212	212				
	k₁	237	237	267	350	316	379	450	450					
	Δk Brake	54	54	36	48	111	80	63	63					
DISCO	a₉	83	86	103	123	149		190						
	k₂	145	145	180	180	265		300						
	k₉	42	50	58	74	82		104						
	o₉	150	175	215	253	305		379						
	p₉	65	83	98	122	145		176						
	p₁₀	14	14	17	17	17		26						
	w	70	70	105	105	105		160						
	x	105	105	152	152	152		195 1)						
	x₁	43	43	63	63	63		111						
Gearbox size	Gearbox					Total length								
	o*	o₁	p*	p₁	a	k								
GST 05	115	208	156	98	35	654	668							
GST 06	145	240	194	121	34	697	711	771						
GST 07	180	302	245	155	42	764	778	838	950					
GST 09	222	370	304	194	52	845	859	919	1031					
GST 11	270	433	378	243	66			995	1107	1104	1167			
GST 14	328	533	470	306	83			1119	1231	1228	1291	1398	1398	

Gearbox size	d	l	l ₁	Solid shaft				Output flange						
				l ₂	d ₂	u	t	a ₂	b ₂ j7	c ₂	e ₂	f ₂	i ₂	s ₂ 4x90°
GST 05	25	50	4	40	M10	8	28	120	80	10	100	3	50	7
								140	95	10	115	3		9
								160	110	10	130	3.5		9
								200	130	12	165	3.5		11
GST 06	30	60	6	45	M10	8	33	160	110	12	130	3.5	60	9
								200	130		165			11
GST 07	40	80	7	63	M16	12	43	200	130	14	165	3.5	80	11
								250	180	15	215	4		14
GST 09	50	100	8	80	M16	14	53.5	250	180	16	215	4	100	14
								300	230	18	265			
								350	250	20	300	5		18
GST 11	60	120	8	100	M20	18	64	300	230	18	265	4	120	14
								350	250	20	300	5		18
GST 14	80	160	15	125	M20	22	85	350	250	22	300	5	160	18
								400	300	24	350			

Dimensions in [mm] d ≤ 50 mm: k6 * Observe dimension k₂
d > 50 mm: m6 1) Plus 80 mm handle



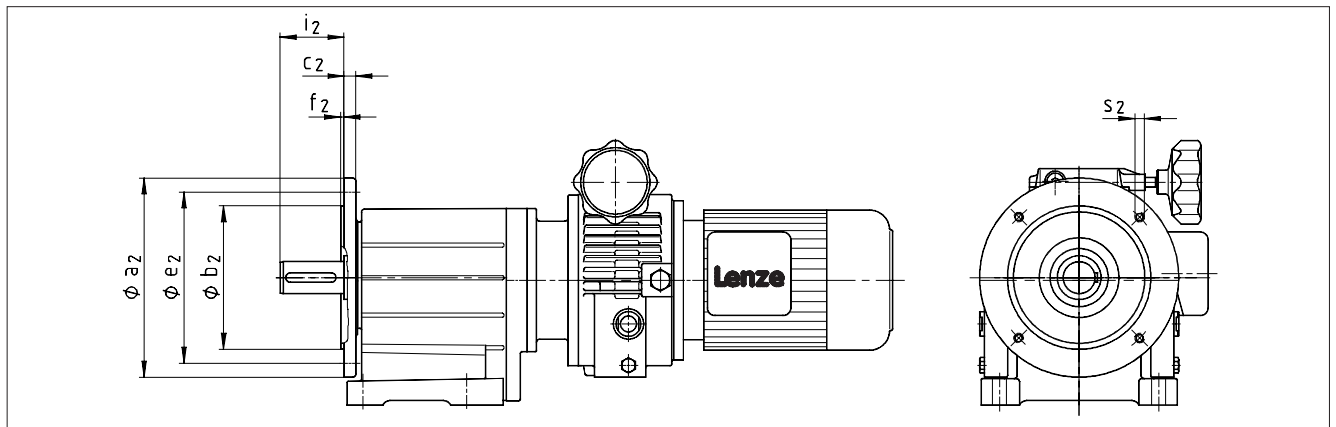
Output design VAR



Gearbox size	a ₁	b ₁ h7	e ₁	f ₁	i ₁	s ₁ 6 x 60°
GST 04	72	48	61	8	51	M5x10
GST 05	88	58	74	9	62	M6x12
GST 06	109	70	90	10	74	M8x14
GST 07	140	100	120	13	97	M10x8
GST 09	174	120	145	15	120	M12x20
GST 11	215	150	185	18	143	M16x26
GST 14	265	195	230	22	187	M20x34

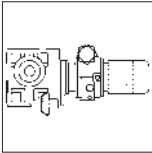
4

Output design VAL



Gearbox size	a ₂	b ₂ j7	c ₂	e ₂	f ₂	i ₂	s ₂ 4 x 90°
GST 04	120	80	10	100	3	40	M6
	140	95		115			M8
GST 05	120	80	10	100	3	50	M6
	140	95		115			M8
	160	110		130			M8
GST 06	160	110	12	130	3.5	60	M8
	200	130		165			M10
GST 07	200	130	14	165	3.5	80	M10
	250	180	15	215	4		M12
GST 09	250	180	16	215	4	100	M12
	300	230	18	265			
GST 11	300	230	18	265	4	120	M12
	350	250	20	300			5
GST 14	350	250	22	300	5	160	M16
	400	300	24	350			

Dimensions in [mm]



Disco variable speed drives

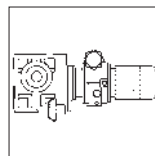
Selection tables with helical-bevel gearboxes

P ₁	50 Hz		i	Disco variable speed drives	Dim. Page		
	n ₂ [min ⁻¹]	M ₂ [Nm]					
0.25 kW	182 - 30	9.7 - 20	5.123	GKS □□ - 3D GKS04 - 3D □□□ 071-12 02C	4-40		
	132 - 22	13 - 27	7.025	GKS04 - 3D □□□ 071-12 02C			
	114 - 19	16 - 31	8.167	GKS04 - 3D □□□ 071-12 02C			
	95 - 16	19 - 37	9.836	GKS04 - 3D □□□ 071-12 02C			
	71 - 12	25 - 50	13.067	GKS04 - 3D □□□ 071-12 02C			
	58 - 9.6	31 - 61	16.087	GKS04 - 3D □□□ 071-12 02C			
	45 - 7.5	39 - 78	20.588	GKS04 - 3D □□□ 071-12 02C			
	37 - 6.2	48 - 95	25.088	GKS04 - 3D □□□ 071-12 02C			
	29 - 4.8	61 - 122	32.000	GKS04 - 3D □□□ 071-12 02C			
	24 - 4.0	75 - 149	39.200	GKS04 - 3D □□□ 071-12 02C			
	18 - 3.0	97 - 182	50.943	GKS04 - 3D □□□ 071-12 02C			
	14 - 2.4	123 - 183	64.978	GKS04 - 3D □□□ 071-12 02C			
	14 - 2.3	127 - 253	66.592	GKS05 - 3D □□□ 071-12 02C			
	12 - 2.0	151 - 183	79.598	GKS04 - 3D □□□ 071-12 02C			
	11 - 1.9	157 - 315	82.833	GKS05 - 3D □□□ 071-12 02C			
	9.3 - 1.6	185 - 185	100.067	GKS04 - 3D □□□ 071-12 02C			
	8.7 - 1.5	204 - 331	107.196	GKS05 - 3D □□□ 071-12 02C			
	8.9 - 1.5	199 - 399	104.967	GKS06 - 3D □□□ 071-12 02C			
	7.2 - 1.2	247 - 331	130.097	GKS05 - 3D □□□ 071-12 02C			
	7.3 - 1.2	242 - 484	127.392	GKS06 - 3D □□□ 071-12 02C			
	5.8 - 1.0	306 - 612	161.029	GKS06 - 3D □□□ 071-12 02C			
	4.3 - 0.7	407 - 635	214.133	GKS06 - 3D □□□ 071-12 02C			
	4.5 - 0.8	395 - 790	208.000	GKS07 - 3D □□□ 071-12 02C			
	3.6 - 0.6	494 - 635	259.880	GKS06 - 3D □□□ 071-12 02C			
	3.7 - 0.6	480 - 959	252.436	GKS07 - 3D □□□ 071-12 02C			
	2.8 - 0.5	624 - 635	328.500	GKS06 - 3D □□□ 071-12 02C			
	2.9 - 0.5	606 - 1212	319.091	GKS07 - 3D □□□ 071-12 02C			
	2.3 - 0.4	746 - 1320	399.353	GKS07 - 4D □□□ 071-12 02C			
	2.3 - 0.4	751 - 1502	402.234	GKS09 - 4D □□□ 071-12 02C			
	1.8 - 0.3	965 - 1320	516.810	GKS07 - 4D □□□ 071-12 02C			
	1.8 - 0.3	972 - 1944	520.538	GKS09 - 4D □□□ 071-12 02C			
				GKS □□ - 4D		4-44	
		1.5 - 0.2	1189 - 1330	636.581			GKS07 - 4D □□□ 071-12 02C
		1.5 - 0.3	1180 - 2360	631.744			GKS09 - 4D □□□ 071-12 02C
	1.1 - 0.2	1527 - 3031	817.551	GKS09 - 4D □□□ 071-12 02C			
	0.9 - 0.2	1853 - 3031	992.209	GKS09 - 4D □□□ 071-12 02C			
	0.9 - 0.2	1850 - 3701	990.879	GKS11 - 4D □□□ 071-12 02C			
	0.7 - 0.1	2342 - 3031	1254.197	GKS09 - 4D □□□ 071-12 02C			
	0.7 - 0.1	2339 - 4678	1252.516	GKS11 - 4D □□□ 071-12 02C			
	0.7 - 0.1	2640 - 3080	1413.461	GKS09 - 4D □□□ 071-12 02C			
	0.7 - 0.1	2636 - 5271	1411.286	GKS11 - 4D □□□ 071-12 02C			
0.37 kW	363 - 61	7.8 - 16	5.123	GKS □□ - 3D GKS04 - 3D □□□ 071-11 02C	4-40		
	265 - 44	11 - 21	7.025	GKS04 - 3D □□□ 071-11 02C			
	228 - 38	12 - 25	8.167	GKS04 - 3D □□□ 071-11 02C			

Thermal limit not considered (see note on page 3-12)

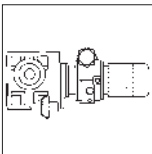
Disco variable speed drives

Selection tables with helical-bevel gearboxes



P ₁	50 Hz		i	Disco variable speed drives	Dim. Page
	n ₂ [min ⁻¹]	M ₂ [Nm]			
0.37 kW				GKS □□ - 3D	4-40
	189 - 32	15 - 30	9.836	GKS04 - 3D □□□ 071-11 02C	
	142 - 24	20 - 40	13.067	GKS04 - 3D □□□ 071-11 02C	
	116 - 19	24 - 49	16.087	GKS04 - 3D □□□ 071-11 02C	
	90 - 15	31 - 63	20.588	GKS04 - 3D □□□ 071-11 02C	
	74 - 12	38 - 76	25.088	GKS04 - 3D □□□ 071-11 02C	
	58 - 9.7	49 - 97	32.000	GKS04 - 3D □□□ 071-11 02C	
	47 - 7.9	60 - 119	39.200	GKS04 - 3D □□□ 071-11 02C	
	37 - 6.1	77 - 155	50.943	GKS04 - 3D □□□ 071-11 02C	
	29 - 4.8	99 - 183	64.978	GKS04 - 3D □□□ 071-11 02C	
	23 - 3.9	121 - 183	79.598	GKS04 - 3D □□□ 071-11 02C	
	23 - 3.7	126 - 252	82.833	GKS05 - 3D □□□ 071-11 02C	
	19 - 3.1	152 - 185	100.067	GKS04 - 3D □□□ 071-11 02C	
	17 - 2.9	163 - 326	107.196	GKS05 - 3D □□□ 071-11 02C	
	14 - 2.4	198 - 331	130.097	GKS05 - 3D □□□ 071-11 02C	
	15 - 2.4	194 - 387	127.392	GKS06 - 3D □□□ 071-11 02C	
	12 - 1.9	245 - 490	161.029	GKS06 - 3D □□□ 071-11 02C	
	8.7 - 1.5	325 - 635	214.133	GKS06 - 3D □□□ 071-11 02C	
	7.2 - 1.2	395 - 635	259.880	GKS06 - 3D □□□ 071-11 02C	
	7.4 - 1.2	384 - 767	252.436	GKS07 - 3D □□□ 071-11 02C	
	5.7 - 0.9	499 - 635	328.500	GKS06 - 3D □□□ 071-11 02C	
	5.8 - 1.0	485 - 970	319.091	GKS07 - 3D □□□ 071-11 02C	
				GKS □□ - 4D	4-44
	4.6 - 0.8	610 - 702	408.000	GKS06 - 4D □□□ 071-11 02C	
	4.7 - 0.8	597 - 1193	399.353	GKS07 - 4D □□□ 071-11 02C	
	3.6 - 0.6	772 - 1320	516.810	GKS07 - 4D □□□ 071-11 02C	
	3.6 - 0.6	778 - 1555	520.538	GKS09 - 4D □□□ 071-11 02C	
	2.9 - 0.5	951 - 1330	636.581	GKS07 - 4D □□□ 071-11 02C	
	2.9 - 0.5	944 - 1888	631.744	GKS09 - 4D □□□ 071-11 02C	
	2.3 - 0.4	1231 - 1330	823.810	GKS07 - 4D □□□ 071-11 02C	
	2.3 - 0.4	1221 - 2443	817.551	GKS09 - 4D □□□ 071-11 02C	
	1.9 - 0.3	1482 - 2965	992.209	GKS09 - 4D □□□ 071-11 02C	
1.5 - 0.3	1874 - 3031	1254.197	GKS09 - 4D □□□ 071-11 02C		
1.5 - 0.3	1871 - 3742	1252.516	GKS11 - 4D □□□ 071-11 02C		
1.3 - 0.2	2112 - 3080	1413.461	GKS09 - 4D □□□ 071-11 02C		
1.3 - 0.2	2108 - 4217	1411.286	GKS11 - 4D □□□ 071-11 02C		
0.55 kW				GKS □□ - 3D	4-40
	375 - 65	11 - 21	5.123	GKS04 - 3D □□□ 071-31 03C	
	273 - 48	15 - 29	7.025	GKS04 - 3D □□□ 071-31 03C	
	235 - 41	17 - 34	8.167	GKS04 - 3D □□□ 071-31 03C	
	195 - 34	21 - 41	9.836	GKS04 - 3D □□□ 071-31 03C	
	147 - 26	27 - 55	13.067	GKS04 - 3D □□□ 071-31 03C	
	119 - 21	34 - 67	16.087	GKS04 - 3D □□□ 071-31 03C	
	93 - 16	43 - 86	20.588	GKS04 - 3D □□□ 071-31 03C	
	77 - 13	52 - 105	25.088	GKS04 - 3D □□□ 071-31 03C	
	60 - 11	67 - 134	32.000	GKS04 - 3D □□□ 071-31 03C	
	49 - 8.6	82 - 164	39.200	GKS04 - 3D □□□ 071-31 03C	

Thermal limit not considered (see note on page 3-12)



Disco variable speed drives

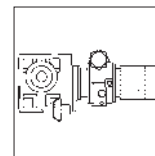
Selection tables with helical-bevel gearboxes

P ₁	50 Hz		i	Disco variable speed drives	Dim. Page
	n ₂ [min ⁻¹]	M ₂ [Nm]			
0.55 kW	38 - 6.6	107 - 182	50.943	GKS □□ - 3D GKS04 - 3D □□□ 071-31 03C	4-40
	30 - 5.2	136 - 183	64.978	GKS04 - 3D □□□ 071-31 03C	
	29 - 5.0	139 - 278	66.592	GKS05 - 3D □□□ 071-31 03C	
	24 - 4.2	166 - 183	79.598	GKS04 - 3D □□□ 071-31 03C	
	23 - 4.0	173 - 331	82.833	GKS05 - 3D □□□ 071-31 03C	
	18 - 3.1	224 - 331	107.196	GKS05 - 3D □□□ 071-31 03C	
	18 - 3.2	219 - 439	104.967	GKS06 - 3D □□□ 071-31 03C	
	15 - 2.6	272 - 331	130.097	GKS05 - 3D □□□ 071-31 03C	
	15 - 2.6	266 - 532	127.392	GKS06 - 3D □□□ 071-31 03C	
	12 - 2.1	337 - 635	161.029	GKS06 - 3D □□□ 071-31 03C	
	9.0 - 1.6	448 - 635	214.133	GKS06 - 3D □□□ 071-31 03C	
	9.2 - 1.6	435 - 869	208.000	GKS07 - 3D □□□ 071-31 03C	
	7.4 - 1.3	543 - 635	259.880	GKS06 - 3D □□□ 071-31 03C	
	7.6 - 1.3	528 - 1055	252.436	GKS07 - 3D □□□ 071-31 03C	
	6.0 - 1.1	667 - 1215	319.091	GKS07 - 3D □□□ 071-31 03C	
				GKS □□ - 4D	4-44
	4.8 - 0.8	820 - 1320	399.353	GKS07 - 4D □□□ 071-31 03C	
	4.8 - 0.8	826 - 1653	402.234	GKS09 - 4D □□□ 071-31 03C	
	3.7 - 0.7	1062 - 1320	516.810	GKS07 - 4D □□□ 071-31 03C	
	3.7 - 0.6	1069 - 2139	520.538	GKS09 - 4D □□□ 071-31 03C	
	3.0 - 0.5	1298 - 2595	631.744	GKS09 - 4D □□□ 071-31 03C	
	2.4 - 0.4	1679 - 3031	817.551	GKS09 - 4D □□□ 071-31 03C	
	2.4 - 0.4	1677 - 3354	816.455	GKS11 - 4D □□□ 071-31 03C	
	1.9 - 0.3	2038 - 3031	992.209	GKS09 - 4D □□□ 071-31 03C	
	1.9 - 0.3	2035 - 4071	990.879	GKS11 - 4D □□□ 071-31 03C	
	1.5 - 0.3	2576 - 3031	1254.197	GKS09 - 4D □□□ 071-31 03C	
	1.5 - 0.3	2573 - 5146	1252.516	GKS11 - 4D □□□ 071-31 03C	
	1.4 - 0.2	2837 - 3080	1413.461	GKS09 - 4D □□□ 071-31 03C	
1.4 - 0.2	2899 - 5798	1411.286	GKS11 - 4D □□□ 071-31 03C		
0.75 kW	185 - 32	29 - 58	5.123	GKS □□ - 3D GKS04 - 3D □□□ 080-32 04D	4-40
	135 - 24	40 - 80	7.025	GKS04 - 3D □□□ 080-32 04D	
	116 - 20	47 - 93	8.167	GKS04 - 3D □□□ 080-32 04D	
	97 - 17	56 - 106	9.836	GKS04 - 3D □□□ 080-32 04D	
	90 - 16	60 - 121	10.569	GKS05 - 3D □□□ 080-32 04D	
	73 - 13	75 - 149	13.067	GKS04 - 3D □□□ 080-32 04D	
	59 - 10	92 - 181	16.087	GKS04 - 3D □□□ 080-32 04D	
	46 - 8.0	117 - 182	20.588	GKS04 - 3D □□□ 080-32 04D	
	49 - 8.6	110 - 219	19.216	GKS05 - 3D □□□ 080-32 04D	
	36 - 6.3	150 - 298	26.353	GKS05 - 3D □□□ 080-32 04D	

Thermal limit not considered (see note on page 3-12)

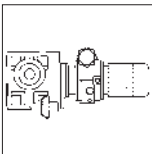
Disco variable speed drives

Selection tables with helical-bevel gearboxes



P ₁	50 Hz		i	Disco variable speed drives	Dim. Page
	n ₂ [min ⁻¹]	M ₂ [Nm]			
0.75 kW	29 - 5.0	187 - 331	32.744	GKS □□ - 3D GKS05 - 3D □□□ 080-32 04D GKS06 - 3D □□□ 080-32 04D	4-40
	30 - 5.2	183 - 366	32.063		
	23 - 4.0	238 - 331	41.765	GKS05 - 3D □□□ 080-32 04D	
	19 - 3.2	292 - 331	51.162	GKS05 - 3D □□□ 080-32 04D	
	18 - 3.1	303 - 605	53.074	GKS06 - 3D □□□ 080-32 04D	
	15 - 2.5	372 - 624	65.207	GKS06 - 3D □□□ 080-32 04D	
	15 - 2.6	369 - 739	64.790	GKS07 - 3D □□□ 080-32 04D	
	12 - 2.0	462 - 630	81.111	GKS06 - 3D □□□ 080-32 04D	
	12 - 2.1	453 - 905	79.407	GKS07 - 3D □□□ 080-32 04D	
	9.1 - 1.6	598 - 635	104.967	GKS06 - 3D □□□ 080-32 04D	
	9.1 - 1.6	594 - 1189	104.296	GKS07 - 3D □□□ 080-32 04D	
	7.5 - 1.3	721 - 1215	126.578	GKS07 - 3D □□□ 080-32 04D	
	7.6 - 1.3	716 - 1432	125.641	GKS09 - 3D □□□ 080-32 04D	
	6.0 - 1.0	903 - 1215	158.364	GKS07 - 3D □□□ 080-32 04D	
	6.0 - 1.0	905 - 1810	158.816	GKS09 - 3D □□□ 080-32 04D	
	4.6 - 0.8	1185 - 1215	208.000	GKS07 - 3D □□□ 080-32 04D	
	4.6 - 0.8	1169 - 2338	205.111	GKS09 - 3D □□□ 080-32 04D	
	3.8 - 0.7	1419 - 2837	248.930	GKS09 - 3D □□□ 080-32 04D	
	3.4 - 0.6	1591 - 3031	279.205	GKS09 - 3D □□□ 080-32 04D	
	3.0 - 0.5	1793 - 3080	314.659	GKS09 - 3D □□□ 080-32 04D	
				GKS □□ - 4D	4-44
	2.4 - 0.4	2253 - 3031	402.234	GKS09 - 4D □□□ 080-32 04D	
	2.4 - 0.4	2217 - 4435	395.787	GKS11 - 4D □□□ 080-32 04D	
	1.8 - 0.3	2916 - 3031	520.538	GKS09 - 4D □□□ 080-32 04D	
	1.9 - 0.3	2870 - 5739	512.195	GKS11 - 4D □□□ 080-32 04D	
	1.5 - 0.3	3483 - 5975	621.619	GKS11 - 4D □□□ 080-32 04D	
1.2 - 0.2	4574 - 5975	816.455	GKS11 - 4D □□□ 080-32 04D		
1.2 - 0.2	4515 - 9030	805.901	GKS14 - 4D □□□ 080-32 04D		
1.0 - 0.2	5551 - 5975	990.879	GKS11 - 4D □□□ 080-32 04D		
1.0 - 0.2	5479 - 10959	978.071	GKS14 - 4D □□□ 080-32 04D		
0.8 - 0.1	6926 - 11488	1236.326	GKS14 - 4D □□□ 080-32 04D		
0.7 - 0.1	7804 - 11639	1393.043	GKS14 - 4D □□□ 080-32 04D		
1.1 kW	375 - 65	22 - 44	5.123	GKS □□ - 3D GKS04 - 3D □□□ 080-31 04D	4-40
	273 - 48	30 - 60	7.025	GKS04 - 3D □□□ 080-31 04D	
	235 - 41	35 - 70	8.167	GKS04 - 3D □□□ 080-31 04D	
	195 - 34	42 - 84	9.836	GKS04 - 3D □□□ 080-31 04D	

Thermal limit not considered (see note on page 3-12)



Disco variable speed drives

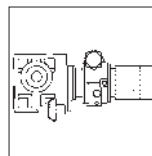
Selection tables with helical-bevel gearboxes

P ₁	50 Hz		i	Disco variable speed drives	Dim. Page
	n ₂ [min ⁻¹]	M ₂ [Nm]			
1.1 kW				GKS □□ - 3D	4-40
	147 - 26	56 - 112	13.067	GKS04 - 3D □□□ 080-31 04D	
	119 - 21	69 - 138	16.087	GKS04 - 3D □□□ 080-31 04D	
	93 - 16	88 - 176	20.588	GKS04 - 3D □□□ 080-31 04D	
	73 - 13	113 - 225	26.353	GKS05 - 3D □□□ 080-31 04D	
	60 - 11	137 - 167	32.000	GKS04 - 3D □□□ 080-31 04D	
	59 - 10	140 - 280	32.744	GKS05 - 3D □□□ 080-31 04D	
	46 - 8.0	179 - 331	41.765	GKS05 - 3D □□□ 080-31 04D	
	38 - 6.6	219 - 331	51.162	GKS05 - 3D □□□ 080-31 04D	
	36 - 6.3	227 - 454	53.074	GKS06 - 3D □□□ 080-31 04D	
	29 - 5.0	285 - 331	66.592	GKS05 - 3D □□□ 080-31 04D	
	29 - 5.1	279 - 557	65.207	GKS06 - 3D □□□ 080-31 04D	
	24 - 4.1	347 - 630	81.111	GKS06 - 3D □□□ 080-31 04D	
	18 - 3.2	449 - 635	104.967	GKS06 - 3D □□□ 080-31 04D	
	18 - 3.2	446 - 892	104.296	GKS07 - 3D □□□ 080-31 04D	
	15 - 2.6	545 - 635	127.392	GKS06 - 3D □□□ 080-31 04D	
	15 - 2.7	541 - 1082	126.578	GKS07 - 3D □□□ 080-31 04D	
	12 - 2.1	677 - 1215	158.364	GKS07 - 3D □□□ 080-31 04D	
	12 - 2.1	679 - 1358	158.816	GKS09 - 3D □□□ 080-31 04D	
	9.2 - 1.6	889 - 1215	208.000	GKS07 - 3D □□□ 080-31 04D	
	9.4 - 1.6	877 - 1753	205.111	GKS09 - 3D □□□ 080-31 04D	
	7.6 - 1.3	1079 - 1215	252.436	GKS07 - 3D □□□ 080-31 04D	
	7.7 - 1.4	1064 - 2128	248.930	GKS09 - 3D □□□ 080-31 04D	
	6.9 - 1.2	1193 - 2387	279.205	GKS09 - 3D □□□ 080-31 04D	
	6.1 - 1.1	1345 - 2690	314.659	GKS09 - 3D □□□ 080-31 04D	
				GKS □□ - 4D	4-44
	4.8 - 0.8	1690 - 3031	402.234	GKS09 - 4D □□□ 080-31 04D	
	4.9 - 0.9	1663 - 3326	395.787	GKS11 - 4D □□□ 080-31 04D	
	3.7 - 0.6	2187 - 3031	520.538	GKS09 - 4D □□□ 080-31 04D	
	3.8 - 0.7	2152 - 4304	512.195	GKS11 - 4D □□□ 080-31 04D	
	3.0 - 0.5	2654 - 3031	631.744	GKS09 - 4D □□□ 080-31 04D	
	3.1 - 0.5	2612 - 5224	621.619	GKS11 - 4D □□□ 080-31 04D	
2.4 - 0.4	3431 - 5975	816.455	GKS11 - 4D □□□ 080-31 04D		
2.4 - 0.4	3386 - 6772	805.901	GKS14 - 4D □□□ 080-31 04D		
1.9 - 0.3	4163 - 5975	990.879	GKS11 - 4D □□□ 080-31 04D		
2.0 - 0.3	4110 - 8219	978.071	GKS14 - 4D □□□ 080-31 04D		
1.5 - 0.3	5263 - 5975	1252.516	GKS11 - 4D □□□ 080-31 04D		
1.6 - 0.3	5195 - 10389	1236.326	GKS14 - 4D □□□ 080-31 04D		
1.4 - 0.2	5853 - 11639	1393.043	GKS14 - 4D □□□ 080-31 04D		

Thermal limit not considered (see note on page 3-12)

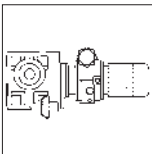
Disco variable speed drives

Selection tables with helical-bevel gearboxes



P ₁	50 Hz		i	Disco variable speed drives	Dim. Page
	n ₂ [min ⁻¹]	M ₂ [Nm]			
1.5 kW				GKS □□ - 3D	4-40
	147 - 25	74 - 148	6.485	GKS06 - 3D □□□ 090-32 05E	
	138 - 24	78 - 147	6.863	GKS05 - 3D □□□ 090-32 05E	
	101 - 18	107 - 165	9.412	GKS05 - 3D □□□ 090-32 05E	
	103 - 18	105 - 210	9.196	GKS06 - 3D □□□ 090-32 05E	
	90 - 16	121 - 227	10.569	GKS05 - 3D □□□ 090-32 05E	
	72 - 13	150 - 165	13.176	GKS05 - 3D □□□ 090-32 05E	
	75 - 13	144 - 288	12.612	GKS06 - 3D □□□ 090-32 05E	
	59 - 10	182 - 280	16.000	GKS05 - 3D □□□ 090-32 05E	
	57 - 9.9	190 - 381	16.699	GKS06 - 3D □□□ 090-32 05E	
	49 - 8.6	219 - 297	19.216	GKS05 - 3D □□□ 090-32 05E	
	47 - 8.1	232 - 463	20.329	GKS06 - 3D □□□ 090-32 05E	
	36 - 6.3	298 - 298	26.353	GKS05 - 3D □□□ 090-32 05E	
	37 - 6.3	297 - 593	26.017	GKS06 - 3D □□□ 090-32 05E	
	30 - 5.2	366 - 610	32.063	GKS06 - 3D □□□ 090-32 05E	
	30 - 5.2	363 - 726	31.858	GKS07 - 3D □□□ 090-32 05E	
	23 - 4.0	473 - 689	41.472	GKS06 - 3D □□□ 090-32 05E	
	24 - 4.2	452 - 904	39.662	GKS09 - 3D □□□ 090-32 05E	
	18 - 3.1	605 - 695	53.074	GKS06 - 3D □□□ 090-32 05E	
	19 - 3.3	574 - 1148	50.345	GKS07 - 3D □□□ 090-32 05E	
	15 - 2.6	739 - 1195	64.790	GKS07 - 3D □□□ 090-32 05E	
	14 - 2.5	751 - 1502	65.879	GKS09 - 3D □□□ 090-32 05E	
	12 - 2.1	905 - 1205	79.407	GKS07 - 3D □□□ 090-32 05E	
	12 - 2.1	912 - 1824	79.996	GKS09 - 3D □□□ 090-32 05E	
	9.1 - 1.6	1189 - 1215	104.296	GKS07 - 3D □□□ 090-32 05E	
	9.2 - 1.6	1180 - 2360	103.524	GKS09 - 3D □□□ 090-32 05E	
	7.6 - 1.3	1432 - 2864	125.641	GKS09 - 3D □□□ 090-32 05E	
	6.0 - 1.0	1810 - 3080	158.816	GKS09 - 3D □□□ 090-32 05E	
	6.0 - 1.0	1808 - 3615	158.571	GKS11 - 3D □□□ 090-32 05E	
	4.6 - 0.8	2338 - 3080	205.111	GKS09 - 3D □□□ 090-32 05E	
	4.5 - 0.8	2396 - 4792	210.222	GKS11 - 3D □□□ 090-32 05E	
	3.8 - 0.7	2837 - 3080	248.930	GKS09 - 3D □□□ 090-32 05E	
3.7 - 0.7	2908 - 5816	255.133	GKS11 - 3D □□□ 090-32 05E		
3.4 - 0.6	3031 - 3031	279.205	GKS09 - 3D □□□ 090-32 05E		
3.3 - 0.6	3262 - 5975	286.219	GKS11 - 3D □□□ 090-32 05E		
3.0 - 0.5	3676 - 5892	322.500	GKS11 - 3D □□□ 090-32 05E		
			GKS □□ - 4D	4-44	
2.4 - 0.4	4435 - 5973	395.787	GKS11 - 4D □□□ 090-32 05E		
2.4 - 0.4	4377 - 8755	390.672	GKS14 - 4D □□□ 090-32 05E		

Thermal limit not considered (see note on page 3-12)



Disco variable speed drives

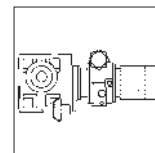
Selection tables with helical-bevel gearboxes

P ₁	50 Hz		i	Disco variable speed drives	Dim. Page
	n ₂ [min ⁻¹]	M ₂ [Nm]			
1.5 kW				GKS □□ - 4D	4-44
	1.9 - 0.3	5739 - 5975	512.195	GKS11 - 4D □□□ 090-32 05E	
	1.9 - 0.3	5749 - 11488	513.121	GKS14 - 4D □□□ 090-32 05E	
	1.5 - 0.3	6978 - 11488	622.742	GKS14 - 4D □□□ 090-32 05E	
	1.2 - 0.2	9030 - 11488	805.901	GKS14 - 4D □□□ 090-32 05E	
	1.1 - 0.2	10174 - 11639	908.058	GKS14 - 4D □□□ 090-32 05E	
	1.0 - 0.2	10959 - 11488	978.071	GKS14 - 4D □□□ 090-32 05E	
2.2 kW				GKS □□ - 3D	4-40
	296 - 52	55 - 111	6.485	GKS06 - 3D □□□ 090-31 05E	
	280 - 49	59 - 117	6.863	GKS05 - 3D □□□ 090-31 05E	
	204 - 36	81 - 161	9.412	GKS05 - 3D □□□ 090-31 05E	
	182 - 32	90 - 181	10.569	GKS05 - 3D □□□ 090-31 05E	
	146 - 25	113 - 165	13.176	GKS05 - 3D □□□ 090-31 05E	
	152 - 27	108 - 216	12.612	GKS06 - 3D □□□ 090-31 05E	
	120 - 21	137 - 274	16.000	GKS05 - 3D □□□ 090-31 05E	
	115 - 20	143 - 286	16.699	GKS06 - 3D □□□ 090-31 05E	
	100 - 17	164 - 297	19.216	GKS05 - 3D □□□ 090-31 05E	
	94 - 17	174 - 348	20.329	GKS06 - 3D □□□ 090-31 05E	
	73 - 13	225 - 298	26.353	GKS05 - 3D □□□ 090-31 05E	
	74 - 13	222 - 445	26.017	GKS06 - 3D □□□ 090-31 05E	
	59 - 10	280 - 331	32.744	GKS05 - 3D □□□ 090-31 05E	
	60 - 10	274 - 548	32.063	GKS06 - 3D □□□ 090-31 05E	
	46 - 8.1	355 - 689	41.472	GKS06 - 3D □□□ 090-31 05E	
	36 - 6.3	454 - 695	53.074	GKS06 - 3D □□□ 090-31 05E	
	38 - 6.7	430 - 861	50.345	GKS07 - 3D □□□ 090-31 05E	
	29 - 5.1	557 - 624	65.207	GKS06 - 3D □□□ 090-31 05E	
	30 - 5.2	554 - 1108	64.790	GKS07 - 3D □□□ 090-31 05E	
	24 - 4.2	679 - 1205	79.407	GKS07 - 3D □□□ 090-31 05E	
	24 - 4.2	684 - 1368	79.996	GKS09 - 3D □□□ 090-31 05E	
	18 - 3.2	892 - 1215	104.296	GKS07 - 3D □□□ 090-31 05E	
	19 - 3.2	885 - 1770	103.524	GKS09 - 3D □□□ 090-31 05E	
	15 - 2.7	1082 - 1215	126.578	GKS07 - 3D □□□ 090-31 05E	
	15 - 2.7	1074 - 2148	125.641	GKS09 - 3D □□□ 090-31 05E	
	12 - 2.1	1358 - 2715	158.816	GKS09 - 3D □□□ 090-31 05E	
	9.4 - 1.6	1753 - 3080	205.111	GKS09 - 3D □□□ 090-31 05E	
	9.1 - 1.6	1797 - 3594	210.222	GKS11 - 3D □□□ 090-31 05E	
	7.7 - 1.4	2128 - 3080	248.930	GKS09 - 3D □□□ 090-31 05E	
7.5 - 1.3	2181 - 4362	255.133	GKS11 - 3D □□□ 090-31 05E		

Thermal limit not considered (see note on page 3-12)

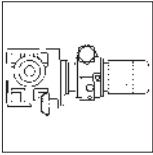
Disco variable speed drives

Selection tables with helical-bevel gearboxes



P ₁	50 Hz		i	Disco variable speed drives	Dim. Page
	n ₂ [min ⁻¹]	M ₂ [Nm]			
2.2 kW				GKS □□ - 3D	4-40
	6.9 - 1.2	2387 - 3031	279.205	GKS09 - 3D □□□ 090-31 05E	
	6.7 - 1.2	2447 - 4894	286.219	GKS11 - 3D □□□ 090-31 05E	
	6.1 - 1.1	2690 - 3080	314.659	GKS09 - 3D □□□ 090-31 05E	4-44
	6.0 - 1.0	2757 - 5514	322.500	GKS11 - 3D □□□ 090-31 05E	
				GKS □□ - 4D	
	4.9 - 0.9	3326 - 5973	395.787	GKS11 - 4D □□□ 090-31 05E	
	4.9 - 0.9	3283 - 6566	390.672	GKS14 - 4D □□□ 090-31 05E	
	3.8 - 0.7	4304 - 5975	512.195	GKS11 - 4D □□□ 090-31 05E	
	3.7 - 0.7	4312 - 8624	513.121	GKS14 - 4D □□□ 090-31 05E	
	3.1 - 0.5	5224 - 5975	621.619	GKS11 - 4D □□□ 090-31 05E	
	3.1 - 0.5	5233 - 10466	622.742	GKS14 - 4D □□□ 090-31 05E	
	2.4 - 0.4	6772 - 11488	805.901	GKS14 - 4D □□□ 090-31 05E	
2.0 - 0.3	8219 - 11488	978.071	GKS14 - 4D □□□ 090-31 05E		
1.6 - 0.3	10389 - 11488	1236.326	GKS14 - 4D □□□ 090-31 05E		
3 kW				GKS □□ - 3D	4-40
	168 - 29	124 - 249	5.955	GKS07 - 3D □□□ 100-32 06G	
	121 - 21	173 - 345	8.254	GKS07 - 3D □□□ 100-32 06G	
	99 - 17	212 - 423	10.124	GKS07 - 3D □□□ 100-32 06G	
	79 - 14	266 - 531	12.711	GKS07 - 3D □□□ 100-32 06G	
	60 - 11	348 - 697	16.674	GKS07 - 3D □□□ 100-32 06G	
	49 - 8.5	429 - 857	20.511	GKS07 - 3D □□□ 100-32 06G	
	40 - 6.9	528 - 1055	25.244	GKS07 - 3D □□□ 100-32 06G	
	31 - 5.5	666 - 1172	31.858	GKS07 - 3D □□□ 100-32 06G	
	30 - 5.3	688 - 1377	32.940	GKS09 - 3D □□□ 100-32 06G	
	24 - 4.3	855 - 1290	40.906	GKS07 - 3D □□□ 100-32 06G	
	25 - 4.4	829 - 1658	39.662	GKS09 - 3D □□□ 100-32 06G	
	20 - 3.5	1052 - 1300	50.345	GKS07 - 3D □□□ 100-32 06G	
	21 - 3.6	1016 - 2032	48.625	GKS09 - 3D □□□ 100-32 06G	
	15 - 2.7	1377 - 2753	65.879	GKS09 - 3D □□□ 100-32 06G	
	13 - 2.2	1672 - 3071	79.996	GKS09 - 3D □□□ 100-32 06G	
	13 - 2.2	1669 - 3338	79.873	GKS11 - 3D □□□ 100-32 06G	
	9.7 - 1.7	2160 - 4320	103.365	GKS11 - 3D □□□ 100-32 06G	
	8.0 - 1.4	2622 - 5243	125.448	GKS11 - 3D □□□ 100-32 06G	
	6.4 - 1.1	3271 - 6542	156.522	GKS14 - 3D □□□ 100-32 06G	

Thermal limit not considered (see note on page 3-12)



Disco variable speed drives

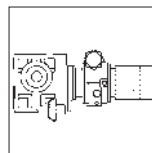
Selection tables with helical-bevel gearboxes

P ₁	50 Hz		i	Disco variable speed drives	Dim. Page	
	n ₂ [min ⁻¹]	M ₂ [Nm]				
3 kW	4.8 - 0.8	4393 - 5892	210.222	GKS □□ - 3D	4-40	
	4.8 - 0.8	4393 - 8786	210.222	GKS11 - 3D □□□ 100-32 06G GKS14 - 3D □□□ 100-32 06G		
	3.9 - 0.7	5332 - 5892	255.133	GKS11 - 3D □□□ 100-32 06G		
	3.9 - 0.7	5332 - 10663	255.133	GKS14 - 3D □□□ 100-32 06G		
	3.5 - 0.6	5981 - 11609	286.219	GKS14 - 3D □□□ 100-32 06G		
	3.1 - 0.5	6739 - 11555	322.500	GKS14 - 3D □□□ 100-32 06G		
	2.6 - 0.5	8025 - 11454	390.672	GKS □□ - 4D		4-44
	2.0 - 0.3	10540 - 11488	513.121	GKS14 - 4D □□□ 100-32 06G		
	1.7 - 0.3	11639 - 11639	578.164	GKS14 - 4D □□□ 100-32 06G		
4 kW	168 - 29	181 - 362	5.955	GKS □□ - 3D	4-40	
	121 - 21	251 - 502	8.254	GKS07 - 3D □□□ 112-22 07G		
	99 - 17	308 - 615	10.124	GKS07 - 3D □□□ 112-22 07G		
	79 - 14	386 - 773	12.711	GKS07 - 3D □□□ 112-22 07G		
	60 - 11	507 - 1014	16.674	GKS07 - 3D □□□ 112-22 07G		
	49 - 8.5	623 - 1110	20.511	GKS07 - 3D □□□ 112-22 07G		
	40 - 6.9	767 - 1177	25.244	GKS07 - 3D □□□ 112-22 07G		
	39 - 6.8	780 - 1559	25.649	GKS09 - 3D □□□ 112-22 07G		
	31 - 5.5	968 - 1172	31.858	GKS07 - 3D □□□ 112-22 07G		
	30 - 5.3	1001 - 2002	32.940	GKS09 - 3D □□□ 112-22 07G		
	24 - 4.3	1243 - 1290	40.906	GKS07 - 3D □□□ 112-22 07G		
	25 - 4.4	1206 - 2411	39.662	GKS09 - 3D □□□ 112-22 07G		
	21 - 3.6	1478 - 2956	48.625	GKS09 - 3D □□□ 112-22 07G		
	15 - 2.7	2002 - 3048	65.879	GKS09 - 3D □□□ 112-22 07G		
	15 - 2.7	1976 - 3951	64.995	GKS11 - 3D □□□ 112-22 07G		
	13 - 2.2	2432 - 3071	79.996	GKS09 - 3D □□□ 112-22 07G		
	13 - 2.2	2428 - 4856	79.873	GKS11 - 3D □□□ 112-22 07G		
	9.7 - 1.7	3142 - 6072	103.365	GKS11 - 3D □□□ 112-22 07G		
	9.8 - 1.7	3101 - 6203	102.029	GKS14 - 3D □□□ 112-22 07G		
	8.0 - 1.4	3813 - 6072	125.448	GKS11 - 3D □□□ 112-22 07G		
	8.1 - 1.4	3764 - 7528	123.826	GKS14 - 3D □□□ 112-22 07G		
	6.4 - 1.1	4758 - 8940	156.522	GKS14 - 3D □□□ 112-22 07G		
	4.8 - 0.8	6390 - 11555	210.222	GKS14 - 3D □□□ 112-22 07G		
	3.9 - 0.7	7755 - 11555	255.133	GKS14 - 3D □□□ 112-22 07G		

Thermal limit not considered (see note on page 3-12)

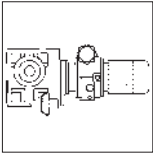
Disco variable speed drives

Selection tables with helical-bevel gearboxes



P ₁	50 Hz		i	Disco variable speed drives	Dim. Page
	n ₂ [min ⁻¹]	M ₂ [Nm]			
4 kW	3.5 - 0.6	8700 - 11609	286.219	GKS □□ - 3D GKS14 - 3D □□□ 112-22 07G	4-40
	3.1 - 0.5	9803 - 11555	322.500	GKS14 - 3D □□□ 112-22 07G	4-44
	2.6 - 0.5	11454 - 11454	390.672	GKS □□ - 4D GKS14 - 4D □□□ 112-22 07G	
5.5 kW	168 - 34	255 - 471	5.955	GKS □□ - 3D GKS07 - 3D □□□ 132-12 18H	4-40
	121 - 24	353 - 541	8.254	GKS07 - 3D □□□ 132-12 18H	
	99 - 20	433 - 800	10.124	GKS07 - 3D □□□ 132-12 18H	
	79 - 16	543 - 832	12.711	GKS07 - 3D □□□ 132-12 18H	
	81 - 16	525 - 1050	12.283	GKS09 - 3D □□□ 132-12 18H	
	60 - 12	713 - 1071	16.674	GKS07 - 3D □□□ 132-12 18H	
	62 - 12	689 - 1378	16.122	GKS09 - 3D □□□ 132-12 18H	
	49 - 9.8	877 - 1110	20.511	GKS07 - 3D □□□ 132-12 18H	
	51 - 10	835 - 1671	19.541	GKS09 - 3D □□□ 132-12 18H	
	40 - 7.9	1079 - 1177	25.244	GKS07 - 3D □□□ 132-12 18H	
	39 - 7.8	1096 - 2193	25.649	GKS09 - 3D □□□ 132-12 18H	
	25 - 5.0	1695 - 3002	39.662	GKS09 - 3D □□□ 132-12 18H	
	25 - 5.0	1721 - 3443	40.272	GKS11 - 3D □□□ 132-12 18H	
	21 - 4.1	2078 - 3017	48.625	GKS09 - 3D □□□ 132-12 18H	
	20 - 4.1	2109 - 4217	49.333	GKS11 - 3D □□□ 132-12 18H	
	15 - 3.1	2778 - 5556	64.995	GKS11 - 3D □□□ 132-12 18H	
	13 - 2.5	3414 - 6032	79.873	GKS11 - 3D □□□ 132-12 18H	
	13 - 2.6	3320 - 6641	77.681	GKS14 - 3D □□□ 132-12 18H	
	9.8 - 2.0	4361 - 8722	102.029	GKS14 - 3D □□□ 132-12 18H	
	8.1 - 1.6	5293 - 10586	123.826	GKS14 - 3D □□□ 132-12 18H	
4.8 - 1.0	8986 - 11555	210.222	GKS14 - 3D □□□ 132-12 18H		
3.9 - 0.8	10905 - 11555	255.133	GKS14 - 3D □□□ 132-12 18H		
3.7 - 0.8	11243 - 11520	267.568	GKS □□ - 4D GKS14 - 4D □□□ 132-12 18H	4-44	
7.5 kW	168 - 34	328 - 471	5.955	GKS □□ - 3D GKS07 - 3D □□□ 132-22 08H	4-40
	121 - 24	455 - 541	8.254	GKS07 - 3D □□□ 132-22 08H	
	99 - 20	558 - 800	10.124	GKS07 - 3D □□□ 132-22 08H	
	79 - 16	700 - 832	12.711	GKS07 - 3D □□□ 132-22 08H	
	81 - 16	677 - 1353	12.283	GKS09 - 3D □□□ 132-22 08H	

Thermal limit not considered (see note on page 3-12)

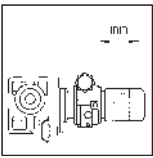


Disco variable speed drives

Selection tables with helical-bevel gearboxes

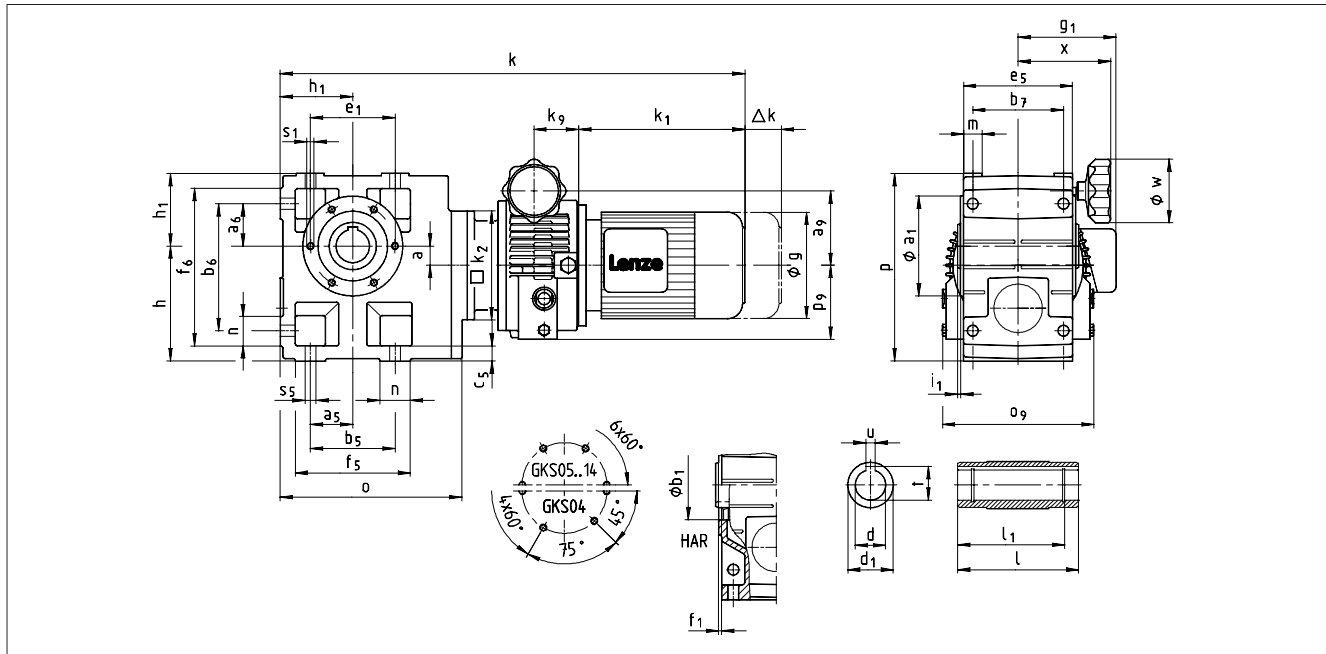
P ₁	50 Hz		i	Disco variable speed drives	Dim. Page	
	n ₂ [min ⁻¹]	M ₂ [Nm]				
7.5 kW	60 - 12	919 - 1071	16.674	GKS □□ - 3D GKS07 - 3D □□□ 132-22 08H GKS09 - 3D □□□ 132-22 08H	4-40	
	62 - 12	888 - 1776	16.122			
	49 - 9.8	1110 - 1110	20.511	GKS07 - 3D □□□ 132-22 08H GKS09 - 3D □□□ 132-22 08H		
	51 - 10	1077 - 2153	19.541			
	39 - 7.8	1413 - 2826	25.649	GKS09 - 3D □□□ 132-22 08H		
	30 - 6.1	1815 - 2984	32.940	GKS09 - 3D □□□ 132-22 08H GKS11 - 3D □□□ 132-22 08H		
	32 - 6.3	1739 - 3479	31.573			
	25 - 5.0	2185 - 3002	39.662	GKS09 - 3D □□□ 132-22 08H GKS11 - 3D □□□ 132-22 08H		
	25 - 5.0	2219 - 4437	40.272			
	21 - 4.1	2679 - 3017	48.625	GKS09 - 3D □□□ 132-22 08H GKS11 - 3D □□□ 132-22 08H		
	20 - 4.1	2718 - 5436	49.333			
	15 - 3.1	3581 - 5992	64.995	GKS11 - 3D □□□ 132-22 08H GKS14 - 3D □□□ 132-22 08H		
	16 - 3.2	3492 - 6984	63.382			
	13 - 2.5	4400 - 6032	79.873	GKS11 - 3D □□□ 132-22 08H GKS14 - 3D □□□ 132-22 08H		
	13 - 2.6	4280 - 8559	77.681			
	9.8 - 2.0	5621 - 11242	102.029	GKS14 - 3D □□□ 132-22 08H		
	8.1 - 1.6	6822 - 11639	123.826	GKS14 - 3D □□□ 132-22 08H		
	4.8 - 1.0	11555 - 11555	210.222	GKS14 - 3D □□□ 132-22 08H		
	4.6 - 0.9	11477 - 11477	218.315	GKS □□ - 4D GKS14 - 4D □□□ 132-22 08H		4-44

Thermal limit not considered (see note on page 3-12)



DISCO variable speed drives

Dimensions with helical-bevel gearboxes



4

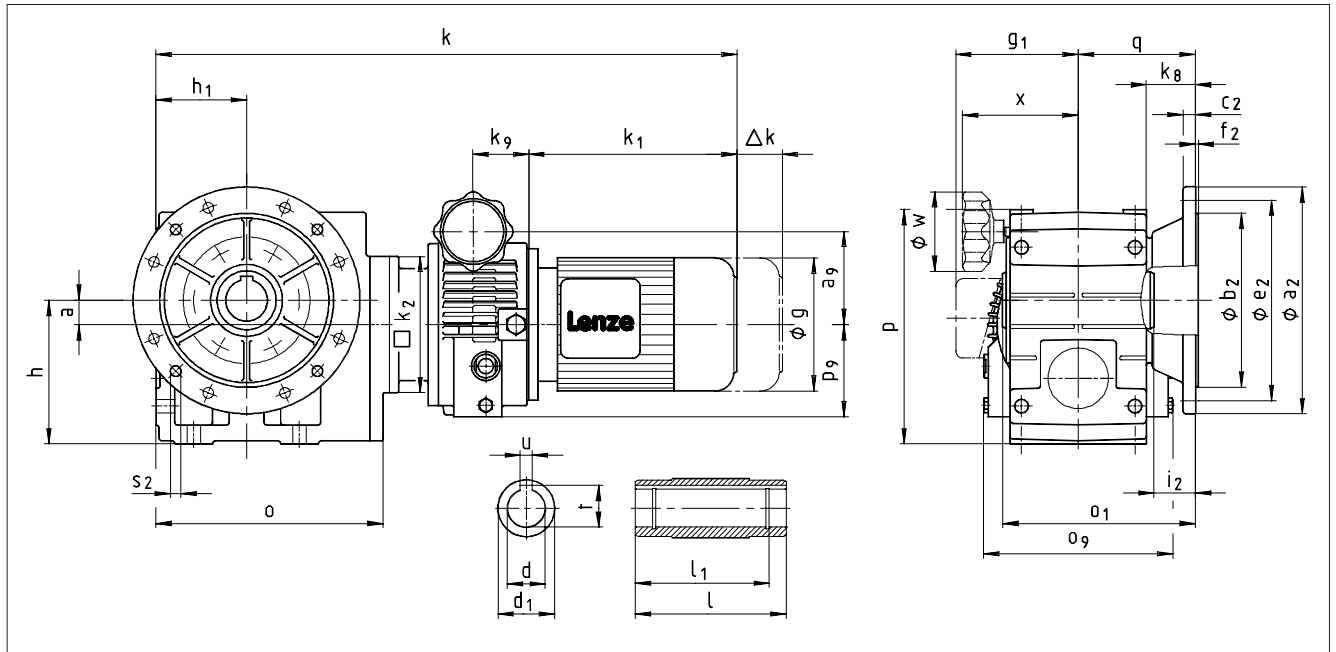
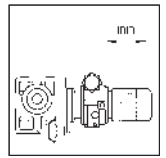
Disco variable speed drives GKS □□ - 3 D H □ R		Drive size																					
		071-1□ 02	071-3□ 03	080-3□ 04	090-3□ 05	100-32 06	112-22 07	132-12 18	132-22 08														
Motor	g	143	143	160	180	206	222	274	274														
	g₁ Without options	128	128	137	147	140	174	196	196														
	Brake motor	131	131	142	154	151	174	212	212														
	k₁	237	237	267	350	316	379	450	450														
	Δk Brake	54	54	36	48	111	80	63	63														
DISCO	a₉	83	86	103	123	149	190																
	k₂	145	145	180	180	265	300																
	k₉	42	50	58	74	82	104																
	o₉	150	175	215	253	305	379																
	p₉	65	83	98	122	145	176																
	w	70	70	105	105	105	160																
	x	105	105	152	152	152	195 1)																
Gearbox size	Gearbox						Total length																
	o	l*	p*	h**	h₁	a	k																
GKS 04	203	115	171	100	71	20	576	589	649														
GKS 05	232	140	205	125	80	23	596	609	669	781													
GKS 06	291	160	250	150	100	28	652	665	725	837													
GKS 07	354	200	310	190	120	34	708	721	781	893	890	953	1060	1060									
GKS 09	429	240	386	236	150	41		852	964	961	1024	1131	1131										
GKS 11	527	290	485	300	185	54			1055	1052	1115	1222	1222										
GKS 14	636	350	605	375	230	67					1151	1214	1321	1321									

Gearbox size	Hollow shaft						Pitch circle						Foot											
	d H7	l	d₁	l₁	u JS9	t +0.2	a₁	b₁ H7	e₁	f₁	i₁	s₁	a₅	a₆	b₅	b₆	b₇	c₅	e₅	f₅	f₆	n	m	s₅
GKS 04	25 30	115	45	100	8 8	28.3 33.3	105	75	90	3	2.5	M6x12	45	45	110	119	85	14	105	132	141	22	21	9
GKS 05	30 35	140	50	124	8 10	33.3 38.3	118	80	100	4	4	M8x15	47.5	47.5	115	140	105	17	127	144	169	29	21	11
GKS 06	40 45	160	65	140	12 14	43.3 48.8	140	100	120	4	5	M10x16	60	60	155	170	120	20	145	191	206	36	23	14
GKS 07	50 55	200	75	175	14 16	53.8 59.3	165	115	140	5	5	M12x18	70	70	190	210	150	25	180	235	255	45	28	18
GKS 09	60 70	240	95	210	18 20	64.4 74.9	205	145	175	6	5	M16x24	90	90	240	266	185	30	222	300	326	60	37	22
GKS 11	70 80	290	105	250	20 22	74.9 85.4	240	140	205	6	6	M20x32	105	105	290	325	225	40	270	363	398	73	43	26
GKS 14	100	350	135	305	28	106.4	290	170	250	6	7	M24x35	135	135	360	415	275	50	328	442	497	82	52	33

Dimensions in [mm] * Observe dimension k_2 ** Observe dimension p_9 1) Plus 80 mm for handle

Disco variable speed drives

Dimensions with helical-bevel gearboxes

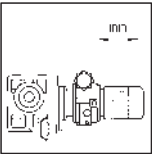


4

Disco variable speed drives GKS □□ - 3 D HAK		Drive size																
		071-1□ 02	071-3□ 03	080-3□ 04	090-3□ 05	100-32 06	112-22 07	132-12 18	132-22 08									
Motor	g	143	143	160	180	206	222	274	274									
	g₁ Without options	128	128	137	147	140	174	196	196									
	Brake motor	131	131	142	154	151	174	212	212									
	k₁	237	237	267	350	316	379	450	450									
	Δk Brake	54	54	36	48	111	80	63	63									
DISCO	a₉	83	86	103	123	149		190										
	k₂	145	145	180	180	265		300										
	k₉	42	50	58	74	82		104										
	o₉	150	175	215	253	305		379										
	p₉	65	83	98	122	145		176										
	w	70	70	105	105	105		160										
	x	105	105	152	152	152		195 1)										
Gearbox size	Gearbox								Total length									
	o	o ₁ *	p*	h	h ₁	a	k ₈	q	k									
GKS 04	203	148	171	100	71	20	38	90.5	576	589	649							
GKS 05	232	173	205	125	80	23	40	103	596	609	669	781						
GKS 06	291	201	250	150	100	28	49	121	652	665	725	837						
GKS 07	354	255	310	190	120	34	65	155	708	721	781	893	890	953	1060	1060		
GKS 09	429	300	386	236	150	41	69	180			852	964	961	1024	1131	1131		
GKS 11	527	350	485	300	185	54	70	205			1055	1052	1115	1222	1222	1222		
GKS 14	636	410	605	375	230	67	71	235				1151	1214	1321	1321	1321		

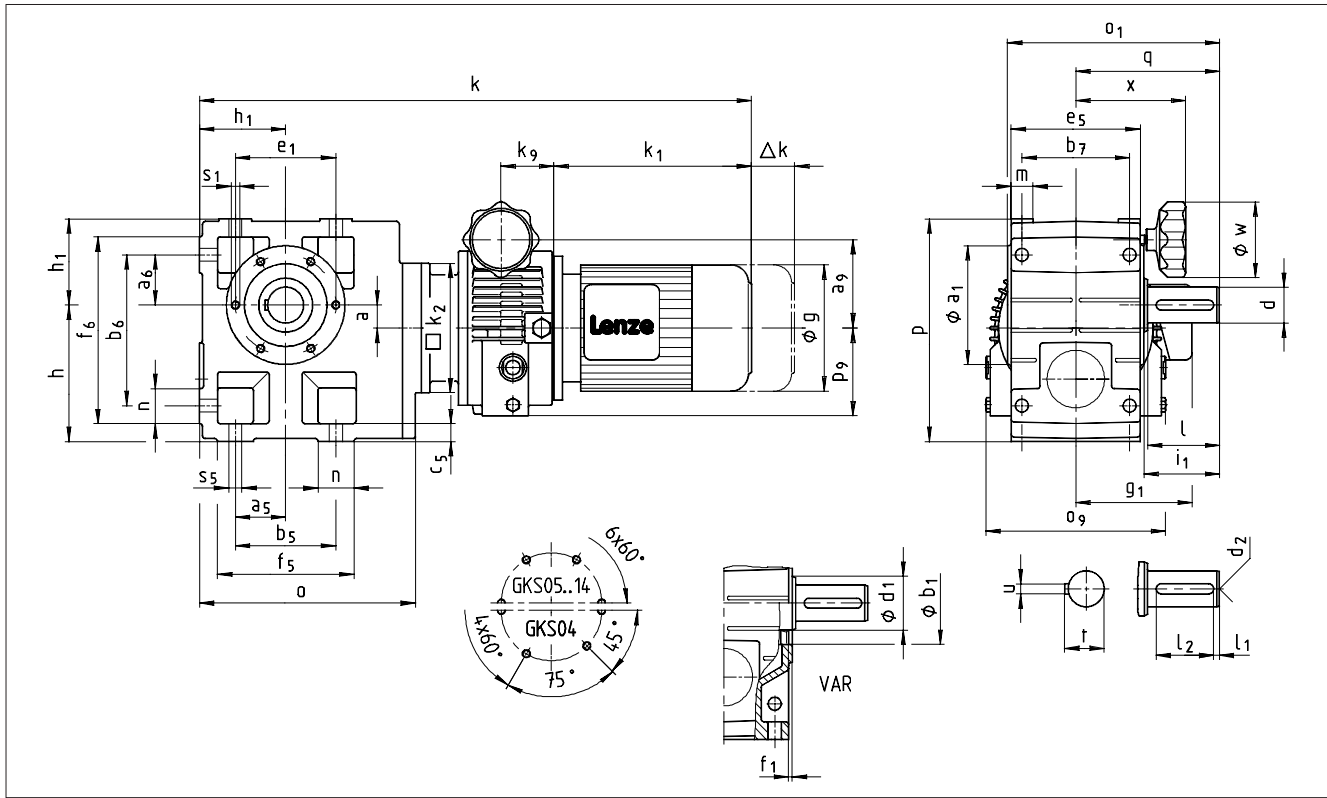
Gearbox size	d H7	l	Hollow shaft				Output flange							
			d ₁	l ₁	u JS9	t +0.2	a ₂	b ₂ j7	c ₂	e ₂	f ₂	i ₂	s ₂	
GKS 04	25 30	115	45	100	8 8	28.3 33.3	160	110	10	130	3.5	33	4 x 9	
GKS 05	30 35	140	50	124	8 10	33.3 38.3	200	130	12	165	3.5	33	4 x 11	
GKS 06	40 45	160	65	140	12 14	43.3 48.8	200 250	130 180	12 14.5	165 215	3.5 4	42 41	4 x 11 4 x 14	
GKS 07	50 55	200	75	175	14 16	53.8 59.3	250 300	180 230	14.5 16.5	215 265	4	55	4 x 14	
GKS 09	60 70	240	95	210	18 20	64.4 74.9	350	250	18	300	4	60	4 x 17.5	
GKS 11	70 80	290	105	250	20 22	74.9 85.4	400 450	300 350	20 22	350 400	5	60	4 x 17.5 8 x 17.5	
GKS 14	100	350	135	305	28	106.4	450	350	22	400	5	60	8 x 17.5	

Dimensions in [mm] * Observe dimension k₂ ** Observe dimension p₉ 1) Plus 80 mm for handle



Disco variable speed drives

Dimensions with helical-bevel gearboxes



4

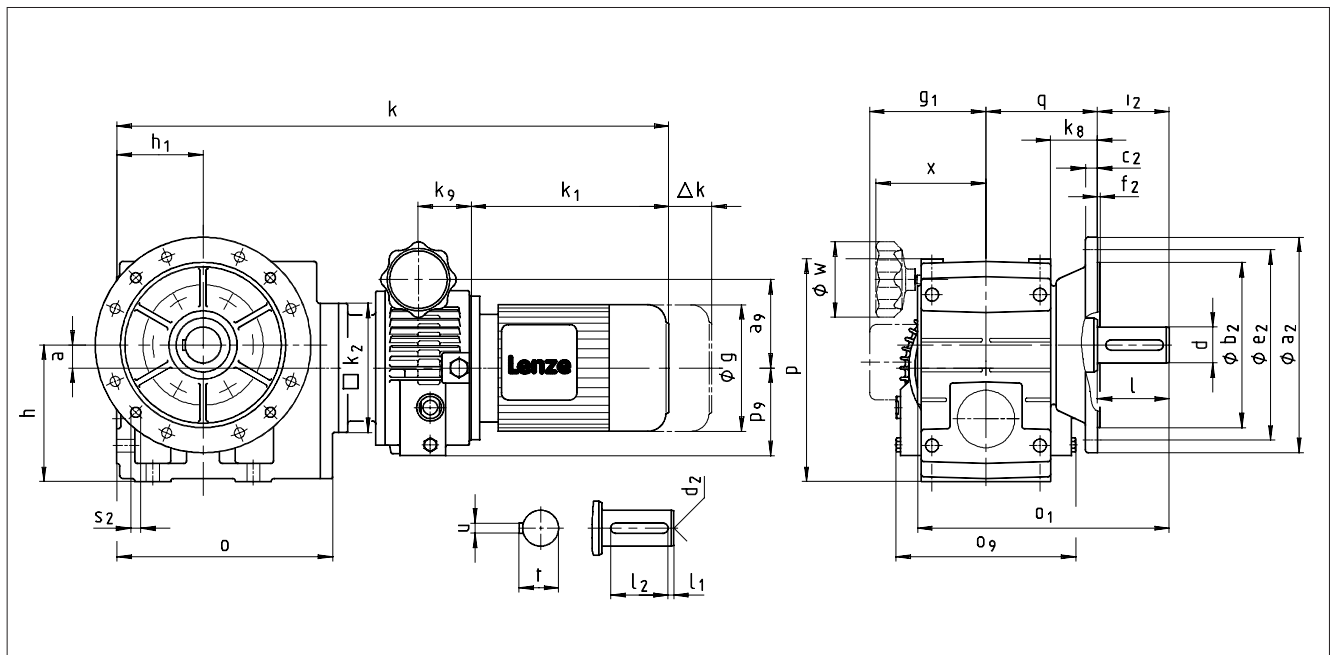
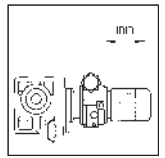
Disco variable speed drives		Drive size																						
GKS □□ - 3 D V □ R		071-1□ 02	071-3□ 03	080-3□ 04	090-3□ 05	100-32 06	112-22 07	132-12 18	132-22 08															
Motor	g	143	143	160	180	206	222	274	274															
	g₁	Without options	128	128	137	147	140	174	196	196														
		Brake motor	131	131	142	154	151	174	212	212														
	k₁	237	237	267	350	316	379	450	450															
	Δk Brake	54	54	36	48	111	80	63	63															
DISCO	a₉	83	86	103	123	149		190																
	k₂	145	145	180	180	265		300																
	k₉	42	50	58	74	82		104																
	o₉	150	175	215	253	305		379																
	p₉	65	83	98	122	145		176																
	w	70	70	105	105	105		160																
	x	105	105	152	152	152		195 1)																
Gearbox size	Gearbox							Total length																
	o	o ₁ *	p*	h**	h ₁	a	q	k																
GKS 04	203	163	171	100	71	20	1075	576	589	649														
GKS 05	232	197	205	125	80	23	130	596	609	669	781													
GKS 06	291	236	250	150	100	28	160	652	665	725	837													
GKS 07	354	296	310	190	120	34	200	708	721	781	893	890	953	1060	1060									
GKS 09	429	356	386	236	150	41	240			852	964	961	1024	1131	1131									
GKS 11	527	445	485	300	185	54	305				1055	1052	1115	1222	1222									
GKS 14	636	544	605	375	230	67	375					1151	1214	1321	1321									

Gearbox size	Solid shaft								Pitch circle						Foot											
	d	l	d ₁	l ₁	l ₂	d ₂	u	t	a ₁	b ₁ H7	e ₁	f ₁	i ₁	s ₁	a ₅	a ₆	b ₅	b ₆	b ₇	c ₅	e ₅	f ₅	f ₆	n	m	s ₅
GKS 04	25	50	45	4	40	M10	8	28	105	75	90	3	52.5	M6x12	45	45	110	119	85	14	105	132	141	22	21	9
GKS 05	30	60	50	6	45	M10	8	33	118	80	100	4	64	M8x15	47.5	47.5	115	140	105	17	127	144	169	29	21	11
GKS 06	40	80	65	7	63	M16	12	43	140	100	120	4	85	M10x16	60	60	155	170	120	20	145	191	206	36	23	14
GKS 07	50	100	75	8	80	M16	14	53.5	165	115	140	5	105	M12x18	70	70	190	210	150	25	180	235	255	45	28	18
GKS 09	60	120	95	8	100	M20	18	64	205	145	175	6	125	M16x24	90	90	240	266	185	30	222	300	326	60	37	22
GKS 11	80	160	105	15	125	M20	22	85	240	140	205	6	166	M20x32	105	105	290	325	225	40	270	363	398	73	43	26
GKS 14	100	200	135	18	160	M24	28	106	290	170	250	6	207	M24x35	135	135	360	415	275	50	328	442	497	82	52	33

Dimensions in [mm] d ≤ 50 mm: k6 * Observe dimension k₂ 1) Plus 80 mm for handle
d > 50 mm: m6 ** Observe dimension p₉

Disco variable speed drives

Dimensions with helical-bevel gearboxes

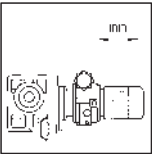


4

Disco variable speed drives GKS □□ - 3 D VAK		Drive size																
		071-1□ 02	071-3□ 03	080-3□ 04	090-3□ 05	100-32 06	112-22 07	132-12 18	132-22 08									
Motor	g	143	143	160	180	206	222	274	274									
	g₁ Without options	128	128	137	147	140	174	196	196									
	Brake motor	131	131	142	154	151	174	212	212									
	k₁	237	237	267	350	316	379	450	450									
	Δk Brake	54	54	36	48	111	80	63	63									
DISCO	a₉	83	86	103	123	149		190										
	k₂	145	145	180	180	265		300										
	k₉	42	50	58	74	82		104										
	o₉	150	175	215	253	305		379										
	p₉	65	83	98	122	145		176										
	w	70	70	105	105	105		160										
	x	105	105	152	152	152		195 1)										
Gearbox size	Gearbox								Total length									
	o	o ₁ *	p*	h**	h ₁	a	k ₈	q	k									
GKS 04	203	196	171	100	71	20	38	90.5	576	589	649							
GKS 05	232	230	205	125	80	23	40	103	596	609	669	781						
GKS 06	291	277	250	150	100	28	49	121	652	665	725	837						
GKS 07	354	351	310	190	120	34	65	155	708	721	781	893	890	953	1060	1060		
GKS 09	429	416	386	236	150	41	69	180			852	964	961	1024	1131	1131		
GKS 11	527	505	485	300	185	54	70	205			1055	1052	1052	1115	1222	1222		
GKS 14	636	604	605	375	230	67	71	235				1151	1151	1214	1321	1321		

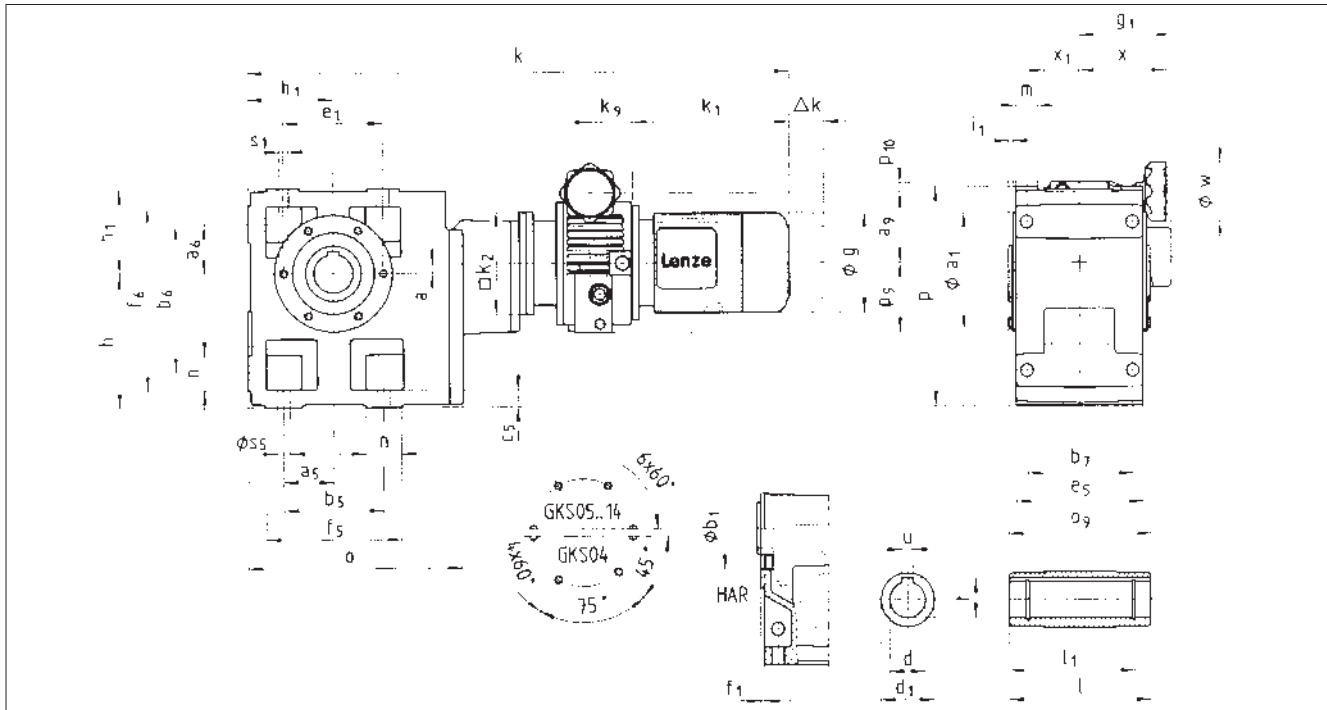
Gearbox size	Solid shaft								Output flange						
	d	l	l ₁	l ₂	d ₂	u	t	a ₂	b ₂ j7	c ₂	e ₂	f ₂	i ₂	s ₂	
GKS 04	25	50	4	40	M10	8	28	160	110	10	130	3.5	50	4 x 9	
GKS 05	30	60	6	45	M10	8	33	200	130	12	165	3.5	60	4 x 11	
GKS 06	40	80	7	63	M16	12	43	250	180	14.5	215	4	80	4 x 14	
GKS 07	50	100	8	80	M16	14	53.5	250 300	180 230	14.5 16.5	215 265	4	100	4 x 14	
GKS 09	60	120	8	100	M20	18	64	350	250	18	300	4	120	4 x 17.5	
GKS 11	80	160	15	125	M20	22	85	400 450	300 350	20 22	350 400	5	160	4 x 17.5 8 x 17.5	
GKS 14	100	200	18	160	M24	28	106	450	350	22	400	5	200	8 x 17.5	

Dimensions in [mm] d ≤ 50 mm: k6 * Observe dimension k₂ 1) Plus 80 mm for handle
d > 50 mm: m6 ** Observe dimension p₉



Disco variable speed drives

Dimensions with helical-bevel gearboxes



4

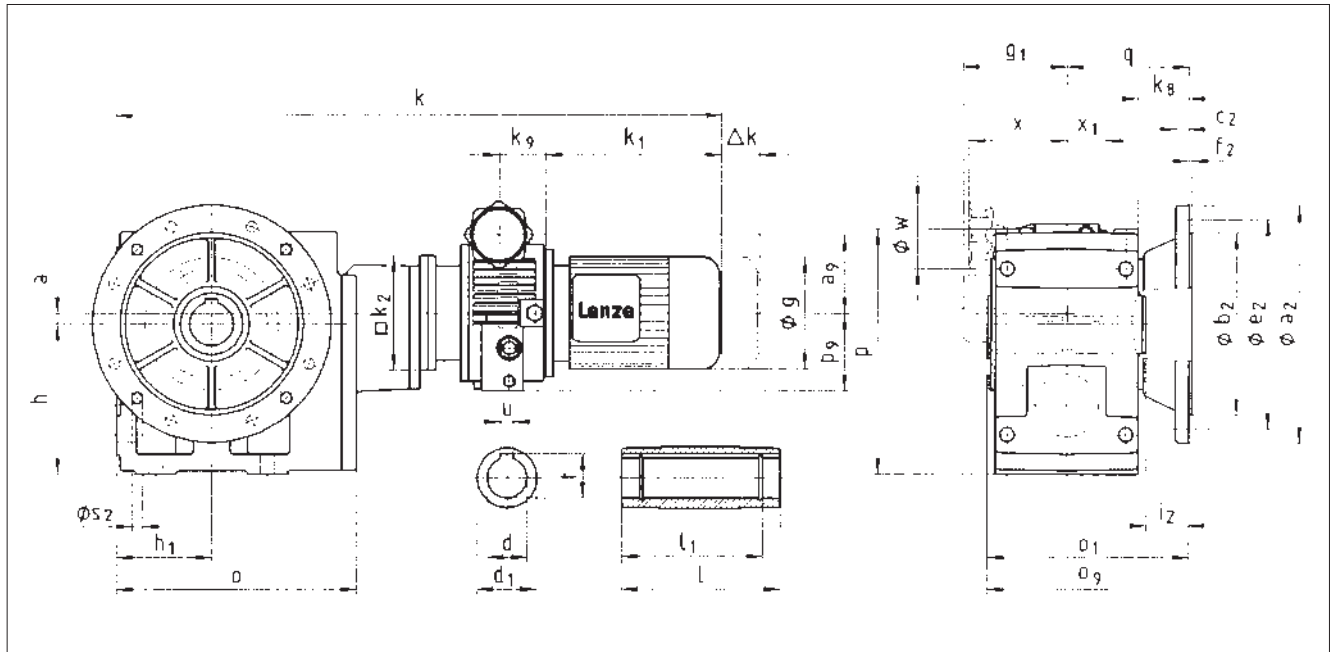
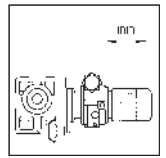
Disco variable speed drives		Drive size																			
GKS □□ - 4 D H □ R		071-1□ 02	071-3□ 03	080-3□ 04	090-3□ 05	100-32 06	112-22 07	132-12 18	132-22 08												
Motor	g	143	143	160	180	206	222	274	274												
	g₁ Without options	128	128	137	147	140	174	196	196												
	Brake motor	131	131	142	154	151	174	212	212												
	k₁	237	237	267	350	316	379	450	450												
	Δk Brake	54	54	36	48	111	80	63	63												
DISCO	a₉	83	86	103	123	149		190													
	k₂	145	145	180	180	265		300													
	k₉	42	50	58	74	82		104													
	o₉	150	175	215	253	305		379													
	p₉	65	83	98	122	145		176													
	p₁₀	14	14	17	17	17		26													
	w	70	70	105	105	105		160													
	x	105	105	152	152	152		195 1)													
	x₁	43	43	63	63	63		111													
Gearbox size	Gearbox						Total length														
	o	l*	p*	h	h ₁	a	k														
GKS 05	226	140	205	125	80	13	672														
GKS 06	288	160	250	150	100	8	745	759	819												
GKS 07	351	200	310	190	120	11	812	826	886												
GKS 09	426	240	386	236	150	15	901	915	975	1087											
GKS 11	523	290	485	300	185	16	995	1025	1085	1197	1194	1257									
GKS 14	632	350	605	375	230	22			1218	1330	1327	1390	1497	1497							

Gearbox size	Hollow shaft						Pitch circle						Foot											
	d H7	l	d ₁	l ₁	u JS9	t +0.2	a ₁	b ₁ H7	e ₁	f ₁	i ₁	s ₁ 6x60°	a ₅	a ₆	b ₅	b ₆	b ₇	c ₅	e ₅	f ₅	f ₆	n	m	s ₅
GKS 05	30 35	140	50	124	8 10	33.3 38.3	118	80	100	4	4	M8x15	47.5	47.5	115	140	105	17	127	144	169	29	21	11
GKS 06	40 45	160	65	140	12 14	43.3 48.8	140	100	120	4	5	M10x16	60	60	155	170	120	20	145	191	206	36	23	14
GKS 07	50 55	200	75	175	14 16	53.8 59.3	165	115	140	5	5	M12x18	70	70	190	210	150	25	180	235	255	45	28	18
GKS 09	60 70	240	95	210	18 20	64.4 74.9	205	145	175	6	5	M16x24	90	90	240	266	185	30	222	300	326	60	37	22
GKS 11	70 80	290	105	250	20 22	74.9 85.4	240	140	205	6	6	M20x32	105	105	290	325	225	40	270	363	398	73	43	26
GKS 14	100	350	135	305	28	106.4	290	170	250	6	7	M24x35	135	135	360	415	275	50	328	442	497	82	52	33

Dimensions in [mm] * Observe dimension k₂ 1) Plus 80 mm for handle

Disco variable speed drives

Dimensions with helical-bevel gearboxes

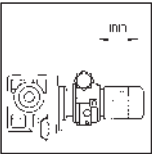


4

Disco variable speed drives		Drive size																
GKS □□ - 4 D HAK		071-1□ 02	071-3□ 03	080-3□ 04	090-3□ 05	100-32 06	112-22 07	132-12 18	132-22 08									
Motor	g	143	143	160	180	206	222	274	274									
	g₁	Without options	128	128	137	147	140	174	196	196								
		Brake motor	131	131	142	154	151	174	212	212								
	k₁	237	237	267	350	316	379	450	450									
Δk	Brake	54	54	36	48	111	80	63	63									
DISCO	a₉	83	86	103	123	149		190										
	k₂	145	145	180	180	265		300										
	k₃	42	50	58	74	82		104										
	o₉	150	175	215	253	305		379										
	p₉	65	83	98	122	145		176										
	w	70	70	105	105	105		160										
	x	105	105	152	152	152		195 1)										
x₁	43	43	63	63	63		111											
Gearbox size	Gearbox								Total length									
	o	o ₁ *	p*	h	h ₁	a	k ₃	q	k									
GKS 05	226	173	205	125	80	13	40	103	672									
GKS 06	288	201	250	150	100	8	49	121	745	759	819							
GKS 07	351	255	310	190	120	11	65	155	812	826	886							
GKS 09	426	300	386	236	150	15	69	180	901	915	975	1087						
GKS 11	523	350	485	300	185	16	70	205	995	1025	1085	1197	1194	1257				
GKS 14	632	410	605	375	230	22	71	235			1218	1330	1327	1390	1497	1497		

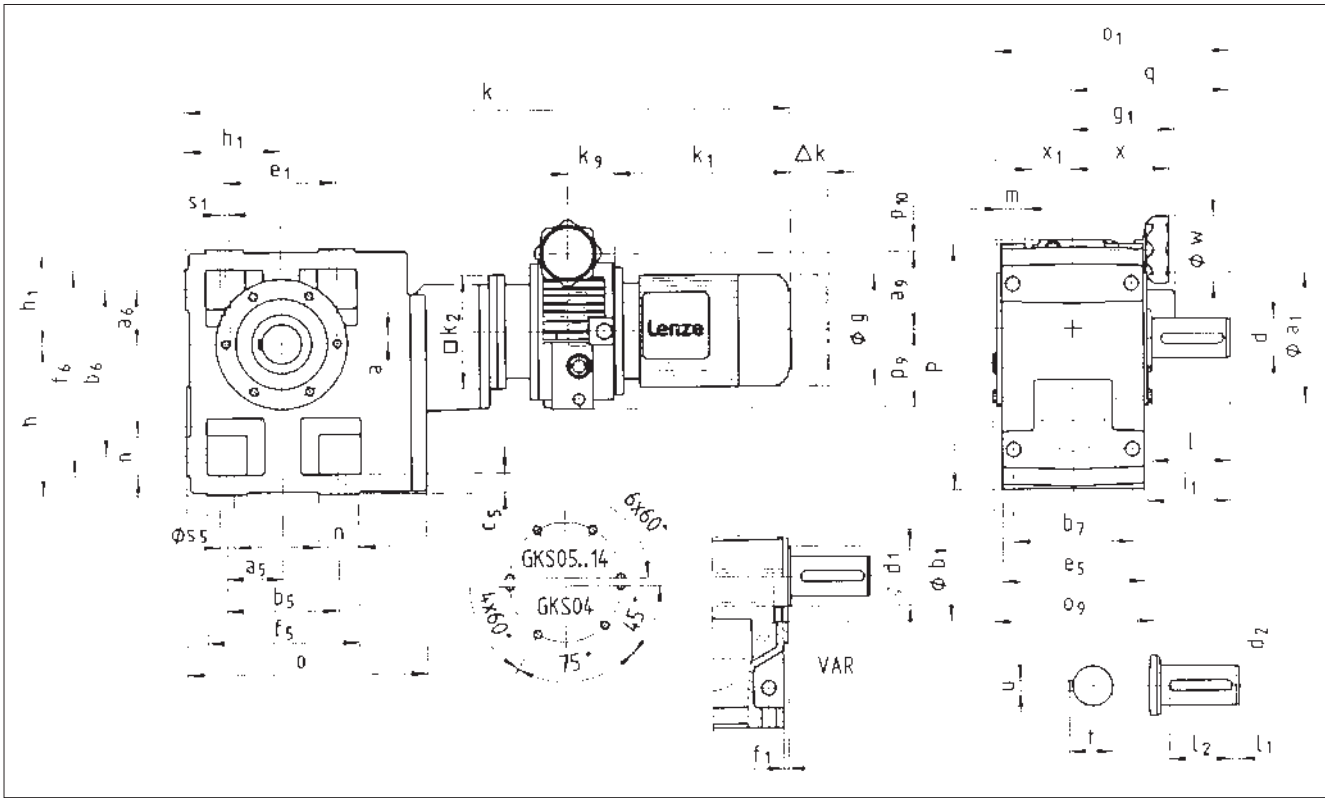
Gearbox size	Hollow shaft						Output flange							
	d H7	l	d ₁	l ₁	u JS9	t +0.2	a ₂	b ₂ j7	c ₂	e ₂	f ₂	i ₂	s ₂	
GKS 05	30 35	140	50	124	8 10	33.3 38.3	200	130	12	165	3.5	33	4 x 11	
GKS 06	40 45	160	65	140	12 14	43.3 48.8	200 250	130 180	12 14.5	165 215	3.5 4	42 41	4 x 11 4 x 14	
GKS 07	50 55	200	75	175	14 16	53.8 59.3	250 300	180 230	14.5 16.5	215 265	4	55	4 x 14	
GKS 09	60 70	240	95	210	18 20	64.4 74.9	350	250	18	300	4	60	4 x 17.5	
GKS 11	70 80	290	105	250	20 22	74.9 85.4	400 450	300 350	20 22	350 400	5	60	4 x 17.5 8 x 17.5	
GKS 14	100	350	135	305	28	106.4	450	350	22	400	5	60	8 x 17.5	

Dimensions in [mm] * Observe dimension k₂ 1) Plus 80 mm for handle



Disco variable speed drives

Dimensions with helical-bevel gearboxes



4

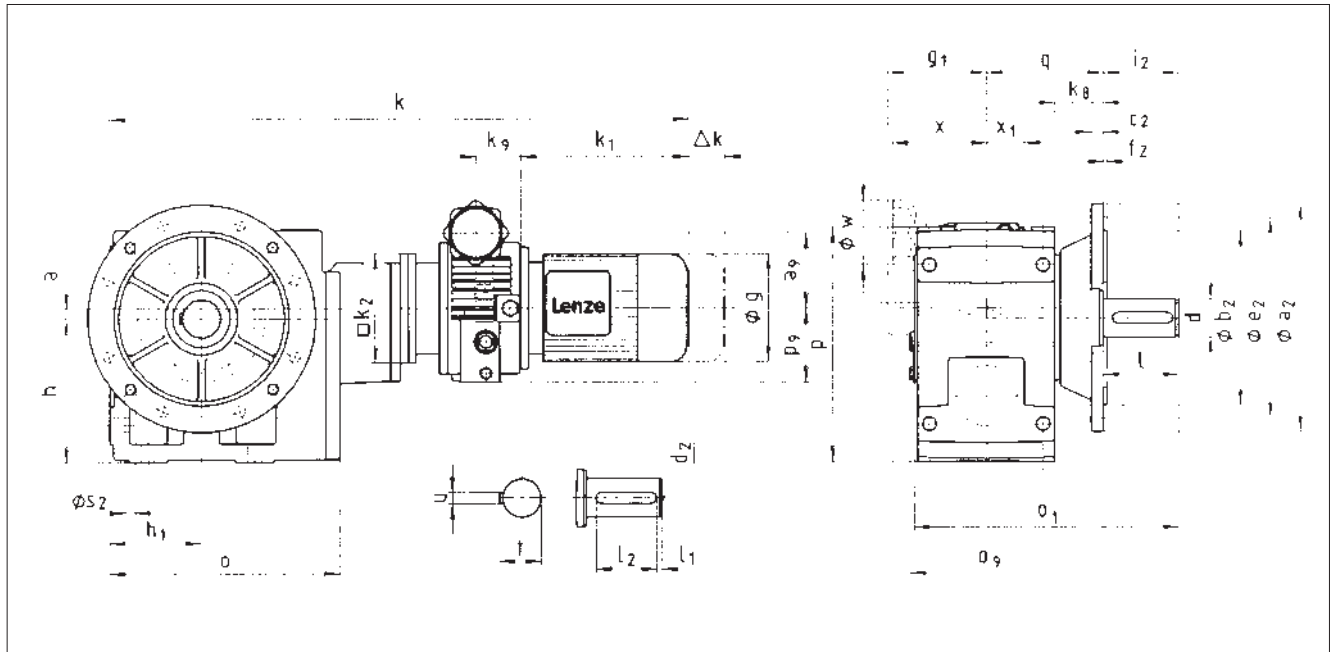
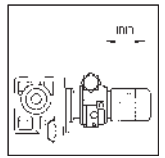
Disco variable speed drives		Drive size																					
GKS □□ - 4 D V □ R		071-1□ 02	071-3□ 03	080-3□ 04	090-3□ 05	100-32 06	112-22 07	132-12 18	132-22 08														
Motor	g	143	143	160	180	206	222	274	274														
	g₁	Without options	128	128	137	147	140	174	196	196													
		Brake motor	131	131	142	154	151	174	212	212													
	k₁	237	237	267	350	316	379	450	450														
	Δk Brake	54	54	36	48	111	80	63	63														
DISCO	a₉	83	86	103	123	149	190																
	k₂	145	145	180	180	265	300																
	k₉	42	50	58	74	82	104																
	o₉	150	175	215	253	305	379																
	p₉	65	83	98	122	145	176																
	p₁₀	14	14	17	17	12	26																
	w	70	70	105	105	105	160																
	x	105	105	152	152	152	195 1)																
x₁	43	43	63	63	63	111																	
Gearbox size	Gearbox							Total length															
	o	o ₁ *	p*	h	h ₁	a	q	k															
GKS 05	226	197	205	125	80	13	130	672															
GKS 06	288	236	250	150	100	8	160	745	759	819													
GKS 07	351	296	310	190	120	11	200	812	826	886													
GKS 09	426	356	386	236	150	15	240	901	915	975	1087												
GKS 11	523	445	485	300	185	16	305	995	1025	1085	1197	1194	1257										
GKS 14	632	544	605	375	230	22	375			1218	1330	1327	1390	1497	1497								

Gearbox size	Solid shaft								Pitch circle					Foot												
	d	l	d ₁	l ₁	l ₂	d ₂	u	t	a ₁	b ₁ H7	e ₁	f ₁	i ₁	s ₁ 6x60°	a ₅	a ₆	b ₅	b ₆	b ₇	c ₅	e ₅	f ₅	f ₆	n	m	s ₅
GKS 05	30	60	50	6	45	M10	8	33	118	80	100	4	64	M8x15	47.5	47.5	115	140	105	17	127	144	169	29	21	11
GKS 06	40	80	65	7	63	M16	12	43	140	100	120	4	85	M10x16	60	60	155	170	120	20	145	191	206	36	23	14
GKS 07	50	100	75	8	80	M16	14	53.5	165	115	140	5	105	M12x18	70	70	190	210	150	25	180	235	255	45	28	18
GKS 09	60	120	95	8	100	M20	18	64	205	145	175	6	125	M16x24	90	90	240	266	185	30	222	300	326	60	37	22
GKS 11	80	160	105	15	125	M20	22	85	240	140	205	6	166	M20x32	105	105	290	325	225	40	270	363	398	73	43	26
GKS 14	100	200	135	18	160	M24	28	106	290	170	250	6	207	M24x35	135	135	360	415	275	50	328	442	497	82	52	33

Dimensions in [mm] d ≤ 50 mm: k6 * Observe dimension k₂
d > 50 mm: m6 1) Plus 80 mm for handle

Disco variable speed drives

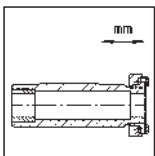
Dimensions with helical-bevel gearboxes



Disco variable speed drives GKS □□ - 4 D VAK		Drive size															
		071-1□ 02	071-3□ 03	080-3□ 04	090-3□ 05	100-32 06	112-22 07	132-12 18	132-22 08								
Motor	g	143	143	160	180	206	222	274	274								
	g₁ Without options	128	128	137	147	140	174	196	196								
	Brake motor	131	131	142	154	151	174	212	212								
	k₁	237	237	267	350	316	379	450	450								
	Δk Brake	54	54	36	48	111	80	63	63								
DISCO	a₉	83	86	103	123	149		190									
	k₂	145	145	180	180	265		300									
	k₉	42	50	58	74	82		104									
	o₉	150	175	215	253	305		379									
	p₉	65	83	98	122	145		176									
	w	70	70	105	105	105		160									
	x	105	105	152	152	152		195 1)									
	x₁	43	43	63	63	63	63	111									
Gearbox size	Gearbox								Total length								
	o	o ₁ *	p*	h	h ₁	a	k ₈	q	k								
GKS 05	226	230	205	125	80	13	40	103	672								
GKS 06	288	277	250	150	100	8	49	121	745	759	819						
GKS 07	351	351	310	190	120	11	65	155	812	826	886						
GKS 09	426	416	386	236	150	15	69	180	901	915	975	1087					
GKS 11	523	505	485	300	185	16	70	205	995	1025	1085	1197	1194	1257			
GKS 14	632	604	605	375	230	22	71	235			1218	1330	1327	1390	1497	1497	

Gearbox size	Solid shaft								Output flange						
	d	l	l ₁	l ₂	d ₂	u	t	a ₂	b ₂ j7	c ₂	e ₂	f ₂	i ₂	s ₂	
GKS 05	30	60	6	45	M10	8	33	200	130	12	165	3.5	60	4 x 11	
GKS 06	40	80	7	63	M16	12	43	250	180	14.5	215	4	80	4 x 14	
GKS 07	50	100	8	80	M16	14	53.5	250 300	180 230	14.5 16.5	215 265	4	100	4 x 14	
GKS 09	60	120	8	100	M20	18	64	350	250	18	300	4	120	4 x 17.5	
GKS 11	80	160	15	125	M20	22	85	400 450	300 350	20 22	350 400	5	160	4 x 17.5 8 x 17.5	
GKS 14	100	200	18	160	M24	28	106	450	350	22	400	5	200	8 x 17.5	

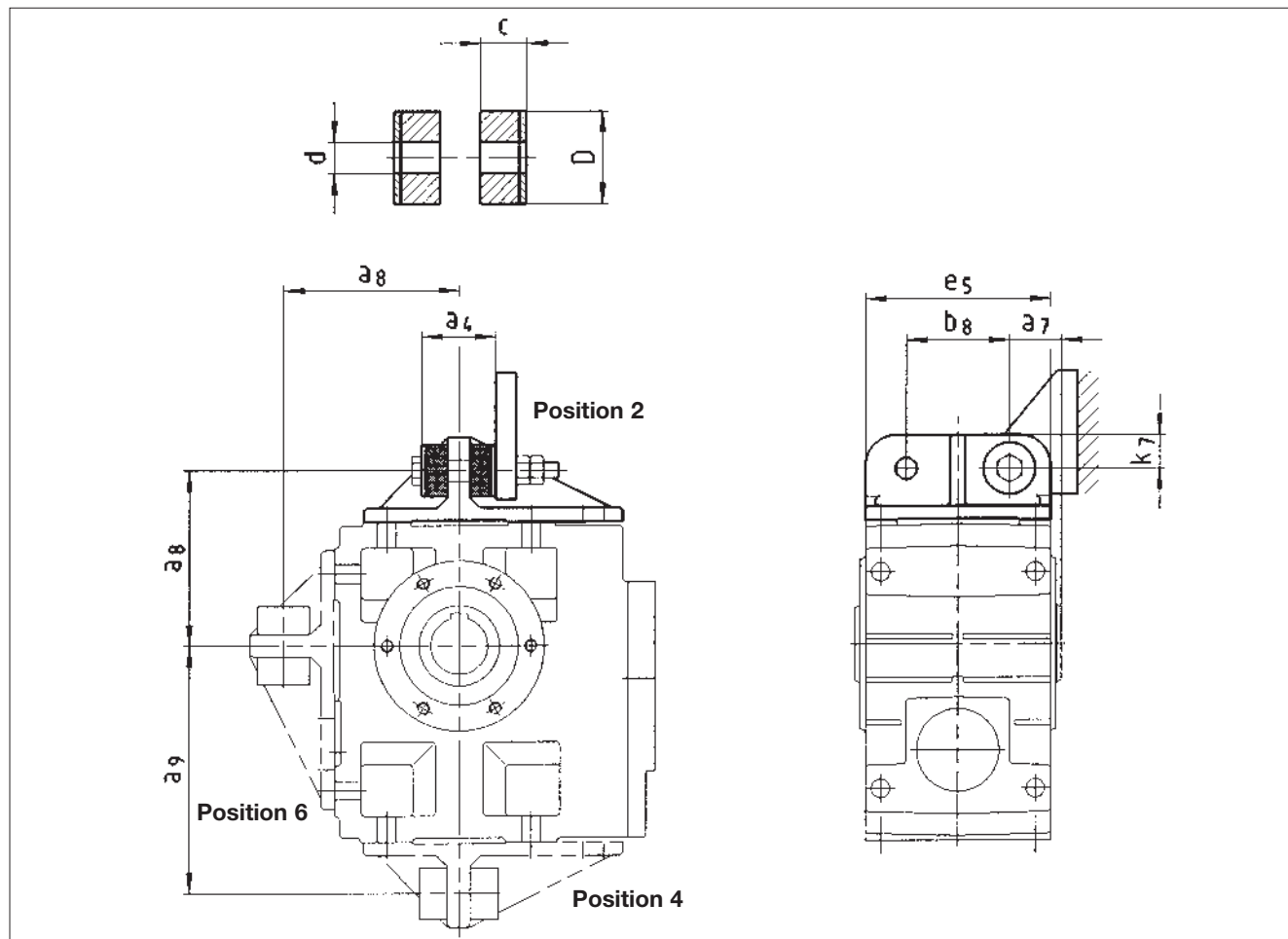
Dimensions in [mm] d ≤ 50 mm: k6 * Observe dimension k₂
 d > 50 mm: m6 1) Plus 80 mm for handle



Disco variable speed drives

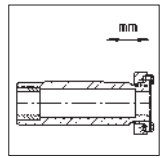
Additional dimensions GKS □ □

Torque plate at housing foot

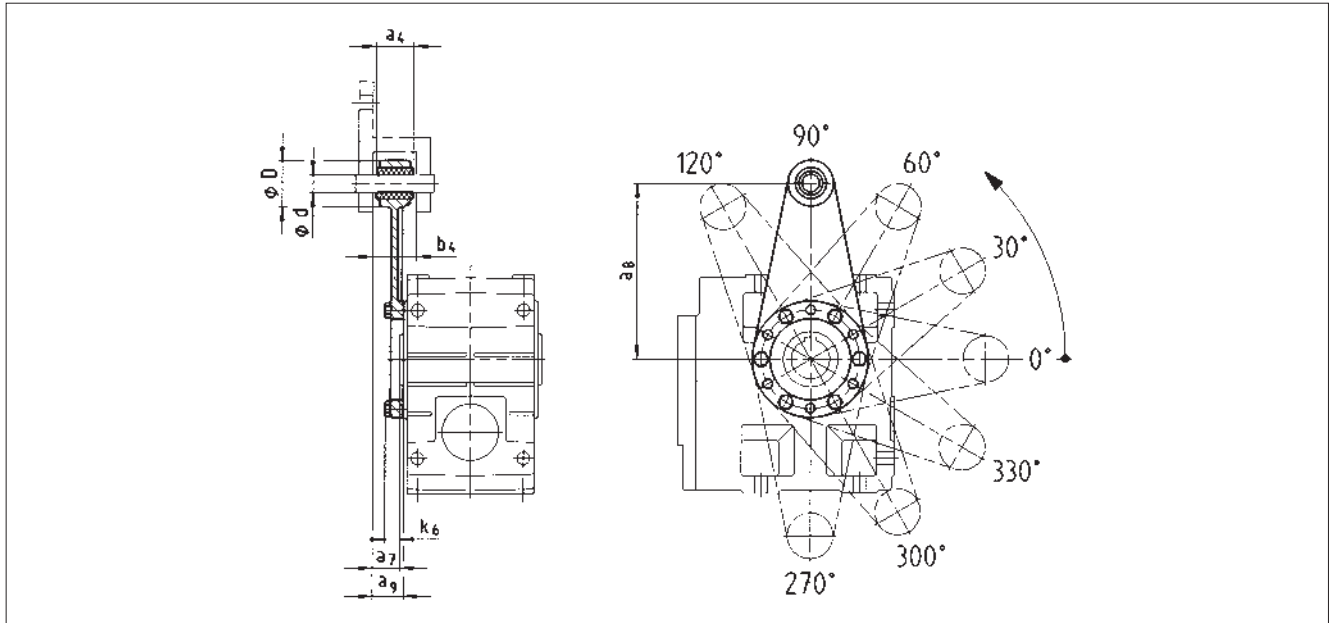


Gearbox size	a_4	a_7	a_8	a_9	b_8	c	d	D	e_5	k_7
GKS 04	41	27.5	106	135	60	14.5	11	30	100	20
GKS 05	45	35	115	160	70	15	13	40	127	25
GKS 06	72	40	145	195	80	27	17	50	145	30
GKS 07	78	50	170	240	100	28	21	60	180	35
GKS 09	86	60	214	300	120	29	26	72	222	46
GKS 11	94	72.5	260	375	145	30	33	92	270	55
GKS 14	100	85	320	465	180	30	39	110	328	70

Dimensions in [mm]

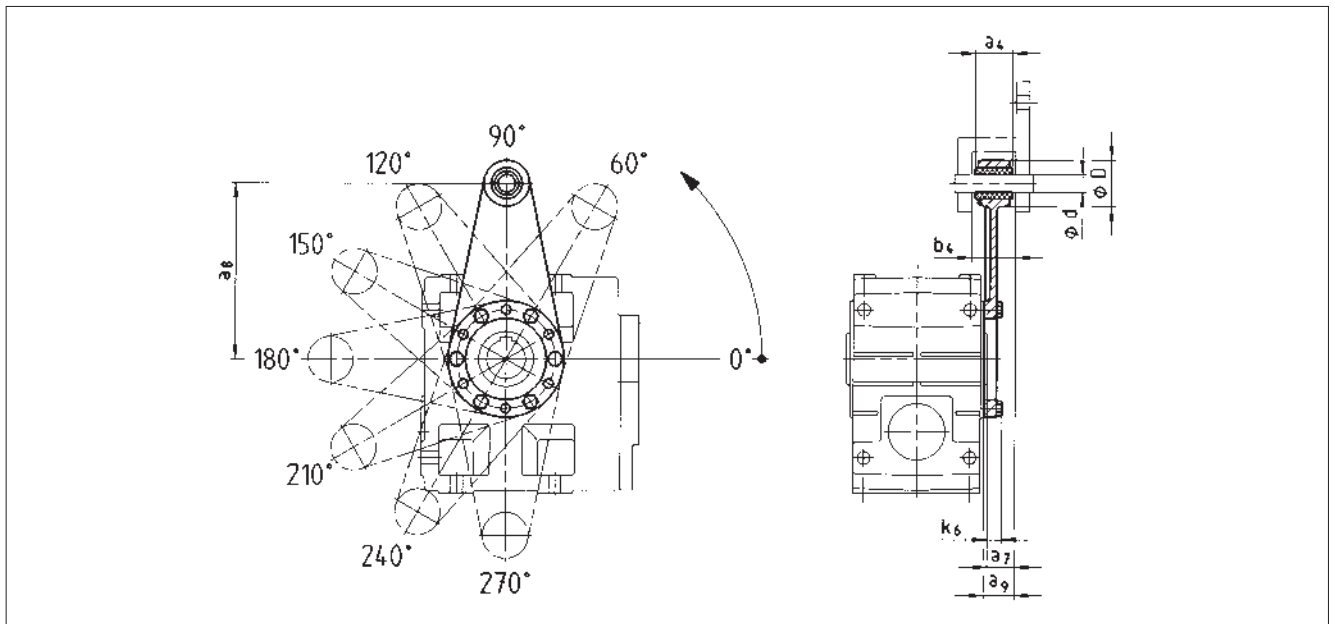


Torque plate at pitch circle in position 3



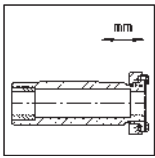
4

Torque plate at pitch circle in position 5



Gearbox size	Mounting space		Torque plate					
	a ₇	b ₄	a ₄	a ₈	a ₉	d	D	k ₆
GKS 04	24	34.5	30	130	26.5	12	35	16
GKS 05	23.5	38.5	34	160	27.5	16	45	15
GKS 06	28	44.5	40	200	33	20	50	18
GKS 07	32.5	50.5	46	250	37.5	25	65	21

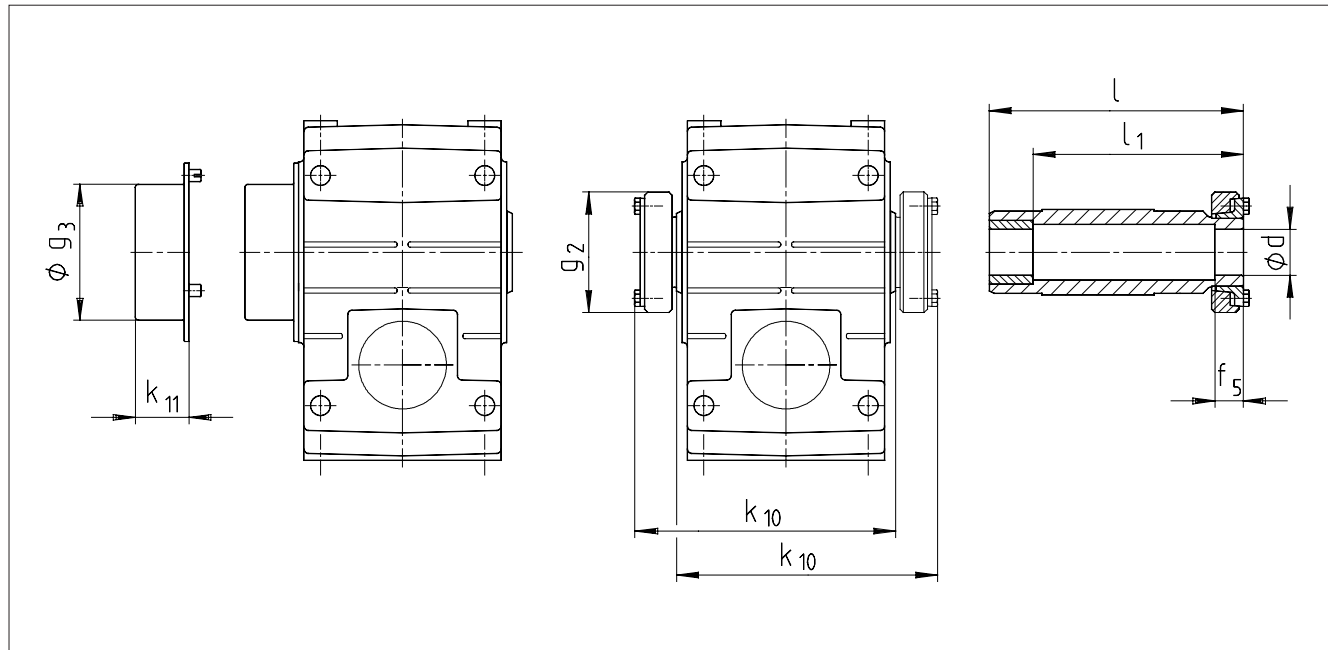
Dimensions in [mm]



Disco variable speed drives

Additional dimensions GKS □ □

Hollow shaft with shrink disc



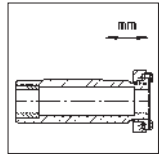
4

Gearbox size	Machine shaft*		Hollow shaft			Gearbox		Cover	
	d	Fit	l	l ₁	f ₅	g ₂	k ₁₀	g ₃	k ₁₁
GKS 04	25 30	h6	142	122	26	72	146	79	41
GKS 05	35	h6	168	148	28	80	171	90	43
GKS 06	40	h6	194	164	30	90	197	100	49
GKS 07	50	h6	232	192	26	110	234	124	49
GKS 09	65	h6	278	228	30	141	281	159	52
GKS 11	80	h6	338	238	42	170	344	191	65
GKS 14	100	h6	407	307	55	215	415	253	78

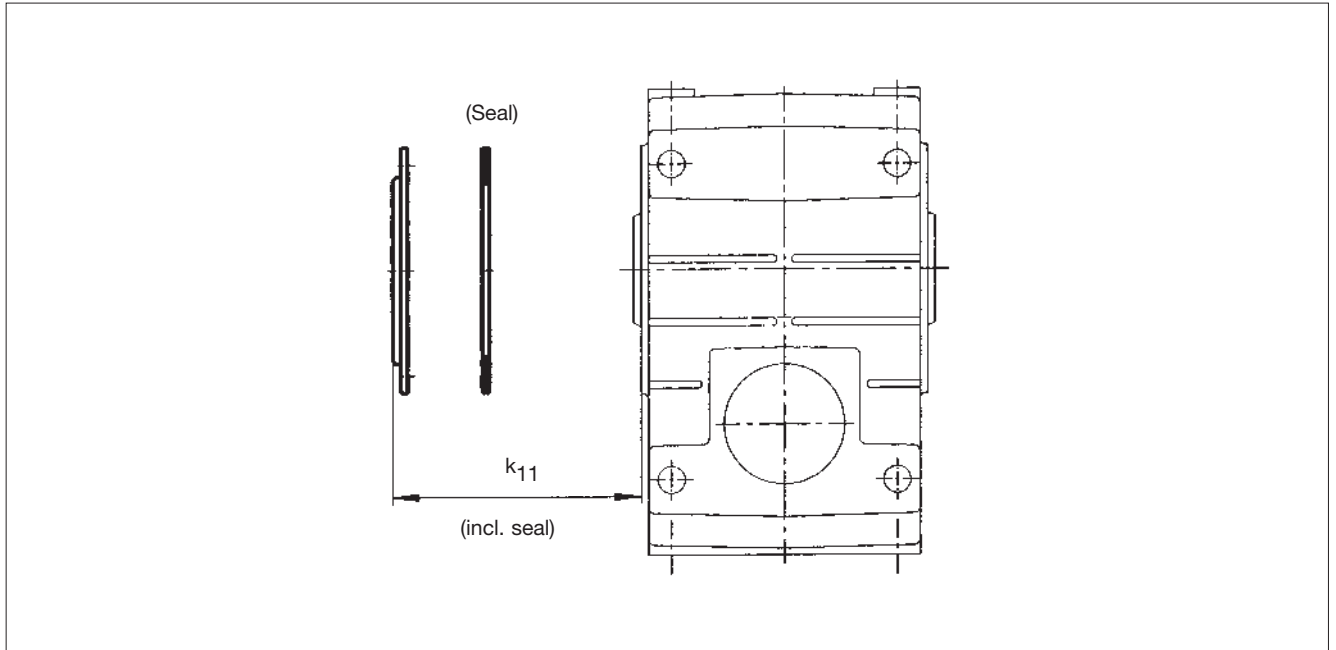
* Ensure sufficient strength of shaft material for shrink disc designs. When using customary steel (e.g. C45, 42CrMo4), the torques indicated in the selection tables can be transferred without any reservation. When using materials of a lower strength, please contact Lenze.

The average peak-to-valley height R_z should not exceed 15 μm . (Turning operation is sufficient).

Dimensions in [mm]

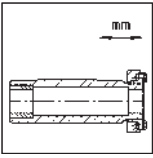


Hollow shaft cover – jet-proof



Gearbox size	Cover k ₁₁
GKS 04	9
GKS 05	10
GKS 06	11
GKS 07	11
GKS 09	54
GKS 11	67
GKS 14	80

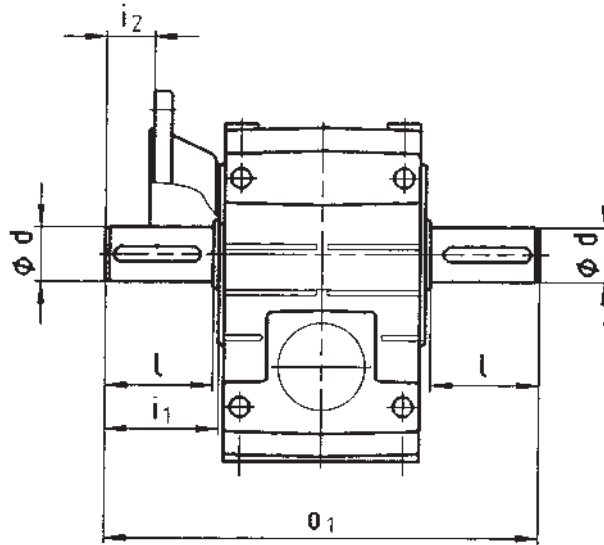
Dimensions in [mm]



Disco variable speed drives

Additional dimensions GKS

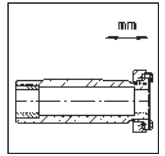
Gearboxes with 2nd output shaft end



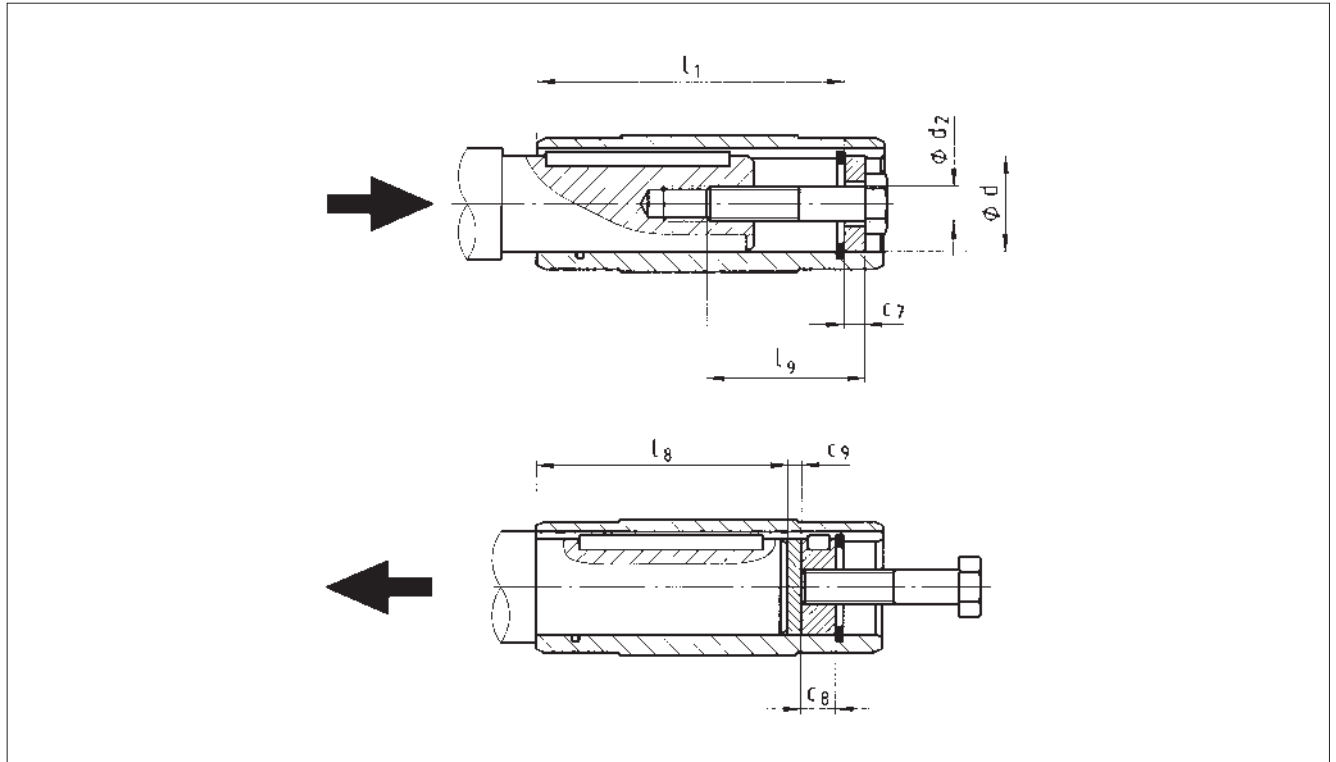
4

Gearbox size	d	l	i ₁	i ₂	o ₁
GKS 04	25	50	52.5	17	215
GKS 05	30	60	64	27	260
GKS 06	40	80	85	39	320
GKS 07	50	100	105	45	400
GKS 09	60	120	125	60	480
GKS 11	80	160	166	100	610
GKS 14	100	200	207	140	750

Dimensions in [mm]



Mounting kit – hollow shaft retention · Design proposal auxiliary tools



Gearbox size	Hollow shaft (design H)			Mounting kit – hollow shaft retention (Auxiliary tool – mounting)			Auxiliary tool Disassembly		Machine shaft max l_8
	l	l_1	d H7	d_2	l_9	c_7	c_8	c_9	
GKS 04	115	100	25 30	M10 M10	40	5 6	10	3	85
GKS 05	140	124	30 35	M10 M12	40 50	6 7	10 12	3	107
GKS 06	160	140	40 45	M16	60	8 9	16	4	118
GKS 07	200	175	50 55	M16 M20	60 80	10 11	16 20	5	148
GKS 09	240	210	60 70	M20	80	13 14	20	5	182
GKS 11	290	250	70 80	M20	80	14 16	20	6	221
GKS 14	350	305	100	M24	100	20	24	8	270

Dimensions in [mm]



Disco variable speed drives

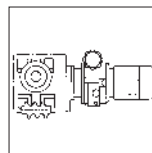
Selection tables with helical-worm gearboxes

P ₁	50 Hz		i	Disco variable speed drives	Dim. Page
	n ₂ [min ⁻¹]	M ₂ [Nm]			
0.25 kW	165 - 28	9.3 - 19	5.639	GSS □□ - 2D GSS04 - 2D □□□ 071-12 02C	4-60
	120 - 20	13 - 26	7.733	GSS04 - 2D □□□ 071-12 02C	
	94 - 16	17 - 33	9.897	GSS04 - 2D □□□ 071-12 02C	
	75 - 13	20 - 40	12.400	GSS04 - 2D □□□ 071-12 02C	
	59 - 9.8	26 - 51	15.869	GSS04 - 2D □□□ 071-12 02C	
	46 - 7.6	31 - 60	20.417	GSS04 - 2D □□□ 071-12 02C	
	38 - 6.3	39 - 73	24.800	GSS04 - 2D □□□ 071-12 02C	
	29 - 4.9	51 - 91	31.738	GSS04 - 2D □□□ 071-12 02C	
	24 - 4.0	62 - 108	39.200	GSS04 - 2D □□□ 071-12 02C	
	19 - 3.1	79 - 133	50.000	GSS04 - 2D □□□ 071-12 02C	
	15 - 2.5	96 - 158	61.250	GSS04 - 2D □□□ 071-12 02C	
	12 - 2.0	120 - 180	77.000	GSS04 - 2D □□□ 071-12 02C	
	12 - 1.9	125 - 206	79.722	GSS05 - 2D □□□ 071-12 02C	
	9.4 - 1.6	152 - 180	99.167	GSS04 - 2D □□□ 071-12 02C	
	9.4 - 1.6	155 - 249	99.167	GSS05 - 2D □□□ 071-12 02C	
	7.3 - 1.2	197 - 318	128.333	GSS05 - 2D □□□ 071-12 02C	
	6.0 - 1.0	235 - 360	155.750	GSS05 - 2D □□□ 071-12 02C	
	6.0 - 1.0	240 - 401	155.750	GSS06 - 2D □□□ 071-12 02C	
	4.7 - 0.8	298 - 507	196.875	GSS06 - 2D □□□ 071-12 02C	
0.37 kW	330 - 55	7.1 - 16	5.639	GSS □□ - 2D GSS04 - 2D □□□ 071-11 02C	4-60
	241 - 40	9.8 - 21	7.733	GSS04 - 2D □□□ 071-11 02C	
	188 - 31	13 - 27	9.897	GSS04 - 2D □□□ 071-11 02C	
	150 - 25	16 - 33	12.400	GSS04 - 2D □□□ 071-11 02C	
	117 - 20	21 - 42	15.869	GSS04 - 2D □□□ 071-11 02C	
	91 - 15	24 - 50	20.417	GSS04 - 2D □□□ 071-11 02C	
	75 - 13	31 - 61	24.800	GSS04 - 2D □□□ 071-11 02C	
	59 - 9.8	40 - 78	31.738	GSS04 - 2D □□□ 071-11 02C	
	47 - 7.9	49 - 93	39.200	GSS04 - 2D □□□ 071-11 02C	
	37 - 6.2	63 - 117	50.000	GSS04 - 2D □□□ 071-11 02C	
	30 - 5.1	78 - 140	61.250	GSS04 - 2D □□□ 071-11 02C	
	24 - 4.0	98 - 171	77.000	GSS04 - 2D □□□ 071-11 02C	
	19 - 3.1	126 - 180	99.167	GSS04 - 2D □□□ 071-11 02C	
	19 - 3.1	127 - 220	99.167	GSS05 - 2D □□□ 071-11 02C	
	15 - 2.4	164 - 275	128.333	GSS05 - 2D □□□ 071-11 02C	
	12 - 2.0	198 - 325	155.750	GSS05 - 2D □□□ 071-11 02C	
	9.5 - 1.6	251 - 418	196.875	GSS06 - 2D □□□ 071-11 02C	
0.55 kW	341 - 59	10 - 22	5.639	GSS □□ - 2D GSS04 - 2D □□□ 071-31 03C	4-60
	248 - 43	14 - 30	7.733	GSS04 - 2D □□□ 071-31 03C	

Thermal limit not considered (see note on page 3-12)

Disco variable speed drives

Selection tables with helical-worm gearboxes



P ₁	50 Hz		i	Disco variable speed drives	Dim. Page
	n ₂ [min ⁻¹]	M ₂ [Nm]			
0.55 kW				GSS □□ - 2D	4-60
	194 - 34	18 - 38	9.897	GSS04 - 2D □□□ 071-31 03C	
	155 - 27	22 - 46	12.400	GSS04 - 2D □□□ 071-31 03C	
	121 - 21	29 - 59	15.869	GSS04 - 2D □□□ 071-31 03C	
	94 - 16	34 - 70	20.417	GSS04 - 2D □□□ 071-31 03C	
	77 - 14	43 - 86	24.800	GSS04 - 2D □□□ 071-31 03C	
	61 - 11	56 - 109	31.738	GSS04 - 2D □□□ 071-31 03C	
	49 - 8.6	68 - 131	39.200	GSS04 - 2D □□□ 071-31 03C	
	38 - 6.7	87 - 163	50.000	GSS04 - 2D □□□ 071-31 03C	
	31 - 5.5	108 - 180	61.250	GSS04 - 2D □□□ 071-31 03C	
	31 - 5.5	108 - 201	61.250	GSS05 - 2D □□□ 071-31 03C	
	25 - 4.4	136 - 180	77.000	GSS04 - 2D □□□ 071-31 03C	
	24 - 4.2	141 - 254	79.722	GSS05 - 2D □□□ 071-31 03C	
	19 - 3.4	174 - 180	99.167	GSS04 - 2D □□□ 071-31 03C	
	19 - 3.4	176 - 308	99.167	GSS05 - 2D □□□ 071-31 03C	
	15 - 2.6	227 - 360	128.333	GSS05 - 2D □□□ 071-31 03C	
	15 - 2.6	228 - 401	128.333	GSS06 - 2D □□□ 071-31 03C	
	12 - 2.2	274 - 360	155.750	GSS05 - 2D □□□ 071-31 03C	
	12 - 2.2	277 - 477	155.750	GSS06 - 2D □□□ 071-31 03C	
	9.8 - 1.7	349 - 585	196.875	GSS06 - 2D □□□ 071-31 03C	
0.75 kW				GSS □□ - 2D	4-60
	169 - 29	30 - 60	5.639	GSS04 - 2D □□□ 080-32 04D	
	123 - 21	41 - 81	7.733	GSS04 - 2D □□□ 080-32 04D	
	96 - 17	53 - 103	9.897	GSS04 - 2D □□□ 080-32 04D	
	77 - 13	65 - 125	12.400	GSS04 - 2D □□□ 080-32 04D	
	60 - 10	83 - 157	15.869	GSS04 - 2D □□□ 080-32 04D	
	47 - 8.1	98 - 180	20.417	GSS04 - 2D □□□ 080-32 04D	
	38 - 6.7	122 - 180	24.800	GSS04 - 2D □□□ 080-32 04D	
	38 - 6.7	122 - 230	24.800	GSS05 - 2D □□□ 080-32 04D	
	30 - 5.2	156 - 180	31.738	GSS04 - 2D □□□ 080-32 04D	
	30 - 5.2	156 - 287	31.738	GSS05 - 2D □□□ 080-32 04D	
	24 - 4.2	180 - 180	39.200	GSS04 - 2D □□□ 080-32 04D	
	24 - 4.2	191 - 342	39.200	GSS05 - 2D □□□ 080-32 04D	
	19 - 3.3	244 - 355	50.000	GSS05 - 2D □□□ 080-32 04D	
	19 - 3.3	245 - 442	50.000	GSS06 - 2D □□□ 080-32 04D	
	16 - 2.7	298 - 354	61.250	GSS05 - 2D □□□ 080-32 04D	
	16 - 2.7	300 - 528	61.250	GSS06 - 2D □□□ 080-32 04D	
	12 - 2.1	390 - 667	79.722	GSS06 - 2D □□□ 080-32 04D	
	9.6 - 1.7	483 - 720	99.167	GSS06 - 2D □□□ 080-32 04D	
	9.7 - 1.7	484 - 843	97.708	GSS07 - 2D □□□ 080-32 04D	
	7.4 - 1.3	616 - 720	128.333	GSS06 - 2D □□□ 080-32 04D	
	7.4 - 1.3	632 - 1076	128.333	GSS07 - 2D □□□ 080-32 04D	
	6.1 - 1.1	720 - 720	155.750	GSS06 - 2D □□□ 080-32 04D	
	6.1 - 1.1	762 - 1250	155.750	GSS07 - 2D □□□ 080-32 04D	
	4.8 - 0.8	951 - 1250	196.875	GSS07 - 2D □□□ 080-32 04D	

Thermal limit not considered (see note on page 3-12)



Disco variable speed drives

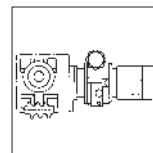
Selection tables with helical-worm gearboxes

P ₁	50 Hz		i	Disco variable speed drives	Dim. Page
	n ₂ [min ⁻¹]	M ₂ [Nm]			
1.1 kW				GSS □□ - 2D	4-60
	341 - 59	22 - 45	5.639	GSS04 - 2D □□□ 080-31 04D	
	248 - 43	30 - 62	7.733	GSS04 - 2D □□□ 080-31 04D	
	194 - 34	39 - 79	9.897	GSS04 - 2D □□□ 080-31 04D	
	155 - 27	48 - 96	12.400	GSS04 - 2D □□□ 080-31 04D	
	121 - 21	62 - 123	15.869	GSS04 - 2D □□□ 080-31 04D	
	94 - 16	71 - 145	20.417	GSS04 - 2D □□□ 080-31 04D	
	77 - 14	90 - 178	24.800	GSS04 - 2D □□□ 080-31 04D	
	61 - 11	116 - 180	31.738	GSS04 - 2D □□□ 080-31 04D	
	61 - 11	116 - 229	31.738	GSS05 - 2D □□□ 080-31 04D	
	49 - 8.6	141 - 180	39.200	GSS04 - 2D □□□ 080-31 04D	
	49 - 8.6	142 - 276	39.200	GSS05 - 2D □□□ 080-31 04D	
	38 - 6.7	180 - 180	50.000	GSS04 - 2D □□□ 080-31 04D	
	38 - 6.7	183 - 345	50.000	GSS05 - 2D □□□ 080-31 04D	
	31 - 5.5	225 - 360	61.250	GSS05 - 2D □□□ 080-31 04D	
	31 - 5.5	225 - 429	61.250	GSS06 - 2D □□□ 080-31 04D	
	24 - 4.2	294 - 360	79.722	GSS05 - 2D □□□ 080-31 04D	
	24 - 4.2	295 - 544	79.722	GSS06 - 2D □□□ 080-31 04D	
	19 - 3.4	360 - 360	99.167	GSS05 - 2D □□□ 080-31 04D	
	19 - 3.4	368 - 664	99.167	GSS06 - 2D □□□ 080-31 04D	
	15 - 2.6	476 - 720	128.333	GSS06 - 2D □□□ 080-31 04D	
	15 - 2.6	481 - 874	128.333	GSS07 - 2D □□□ 080-31 04D	
	12 - 2.2	576 - 720	155.750	GSS06 - 2D □□□ 080-31 04D	
12 - 2.2	585 - 1042	155.750	GSS07 - 2D □□□ 080-31 04D		
9.8 - 1.7	738 - 1250	196.875	GSS07 - 2D □□□ 080-31 04D		
1.5 kW				GSS □□ - 2D	4-60
	169 - 29	60 - 121	5.639	GSS05 - 2D □□□ 090-32 05E	
	123 - 21	83 - 165	7.733	GSS05 - 2D □□□ 090-32 05E	
	96 - 17	107 - 209	9.897	GSS05 - 2D □□□ 090-32 05E	
	77 - 13	131 - 254	12.400	GSS05 - 2D □□□ 090-32 05E	
	60 - 10	168 - 321	15.869	GSS05 - 2D □□□ 090-32 05E	
	47 - 8.1	200 - 359	20.417	GSS05 - 2D □□□ 090-32 05E	
	47 - 8.1	200 - 392	20.417	GSS06 - 2D □□□ 090-32 05E	
	38 - 6.7	247 - 357	24.800	GSS05 - 2D □□□ 090-32 05E	
	38 - 6.7	245 - 470	24.800	GSS06 - 2D □□□ 090-32 05E	
	30 - 5.2	317 - 355	31.738	GSS05 - 2D □□□ 090-32 05E	
	30 - 5.2	314 - 590	31.738	GSS06 - 2D □□□ 090-32 05E	
	24 - 4.2	390 - 718	39.200	GSS06 - 2D □□□ 090-32 05E	
	19 - 3.3	498 - 720	50.000	GSS06 - 2D □□□ 090-32 05E	
	19 - 3.3	503 - 935	50.000	GSS07 - 2D □□□ 090-32 05E	
	16 - 2.7	609 - 720	61.250	GSS06 - 2D □□□ 090-32 05E	
	16 - 2.7	618 - 1122	61.250	GSS07 - 2D □□□ 090-32 05E	
	12 - 2.1	720 - 720	79.722	GSS06 - 2D □□□ 090-32 05E	
	12 - 2.1	804 - 1250	79.722	GSS07 - 2D □□□ 090-32 05E	
	9.7 - 1.7	983 - 1250	97.708	GSS07 - 2D □□□ 090-32 05E	
	7.4 - 1.3	1250 - 1250	128.333	GSS07 - 2D □□□ 090-32 05E	

Thermal limit not considered (see note on page 3-12)

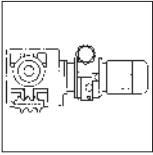
Disco variable speed drives

Selection tables with helical-worm gearboxes



P ₁	50 Hz		i	Disco variable speed drives	Dim. Page
	n ₂ [min ⁻¹]	M ₂ [Nm]			
1.5 kW	6.9 - 1.2	1250 - 1250	137.950	GSS □□ - 2D GSS07 - 2D □□□ 090-32 05E	4-60
2.2 kW	341 - 59	44 - 92	5.639	GSS □□ - 2D GSS05 - 2D □□□ 090-31 05E	4-60
	248 - 43	61 - 125	7.733	GSS05 - 2D □□□ 090-31 05E	
	194 - 34	79 - 160	9.897	GSS05 - 2D □□□ 090-31 05E	
	155 - 27	97 - 195	12.400	GSS05 - 2D □□□ 090-31 05E	
	121 - 21	125 - 249	15.869	GSS05 - 2D □□□ 090-31 05E	
	94 - 16	147 - 298	20.417	GSS05 - 2D □□□ 090-31 05E	
	77 - 14	183 - 360	24.800	GSS05 - 2D □□□ 090-31 05E	
	61 - 11	236 - 360	31.738	GSS05 - 2D □□□ 090-31 05E	
	61 - 11	233 - 464	31.738	GSS06 - 2D □□□ 090-31 05E	
	49 - 8.6	289 - 360	39.200	GSS05 - 2D □□□ 090-31 05E	
	49 - 8.6	290 - 570	39.200	GSS06 - 2D □□□ 090-31 05E	
	38 - 6.7	360 - 360	50.000	GSS05 - 2D □□□ 090-31 05E	
	38 - 6.7	373 - 716	50.000	GSS06 - 2D □□□ 090-31 05E	
	31 - 5.5	459 - 720	61.250	GSS06 - 2D □□□ 090-31 05E	
	31 - 5.5	462 - 897	61.250	GSS07 - 2D □□□ 090-31 05E	
	24 - 4.2	599 - 720	79.722	GSS06 - 2D □□□ 090-31 05E	
	24 - 4.2	605 - 1145	79.722	GSS07 - 2D □□□ 090-31 05E	
	19 - 3.4	720 - 720	99.167	GSS06 - 2D □□□ 090-31 05E	
	20 - 3.4	744 - 1250	97.708	GSS07 - 2D □□□ 090-31 05E	
	15 - 2.6	978 - 1250	128.333	GSS07 - 2D □□□ 090-31 05E	
	12 - 2.2	1185 - 1250	155.750	GSS07 - 2D □□□ 090-31 05E	
3 kW	171 - 30	113 - 232	5.862	GSS □□ - 2D GSS07 - 2D □□□ 100-32 06G	4-60
	123 - 22	158 - 321	8.125	GSS07 - 2D □□□ 100-32 06G	
	100 - 18	196 - 395	10.000	GSS07 - 2D □□□ 100-32 06G	
	79 - 14	243 - 486	12.594	GSS07 - 2D □□□ 100-32 06G	
	65 - 11	300 - 596	15.500	GSS07 - 2D □□□ 100-32 06G	
	49 - 8.5	378 - 750	20.517	GSS07 - 2D □□□ 100-32 06G	
	40 - 7.0	466 - 913	25.188	GSS07 - 2D □□□ 100-32 06G	
	32 - 5.7	576 - 1112	31.000	GSS07 - 2D □□□ 100-32 06G	
	26 - 4.5	731 - 1250	39.200	GSS07 - 2D □□□ 100-32 06G	
	20 - 3.5	935 - 1250	50.000	GSS07 - 2D □□□ 100-32 06G	
	16 - 2.9	1146 - 1250	61.250	GSS07 - 2D □□□ 100-32 06G	
4 kW	171 - 30	168 - 342	5.862	GSS □□ - 2D GSS07 - 2D □□□ 112-22 07G	4-60
	123 - 22	235 - 472	8.125	GSS07 - 2D □□□ 112-22 07G	
	100 - 18	290 - 580	10.000	GSS07 - 2D □□□ 112-22 07G	
	79 - 14	359 - 713	12.594	GSS07 - 2D □□□ 112-22 07G	
	65 - 11	442 - 874	15.500	GSS07 - 2D □□□ 112-22 07G	

Thermal limit not considered (see note on page 3-12)

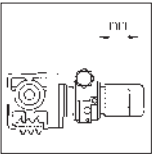


Disco variable speed drives

Selection tables with helical-worm gearboxes

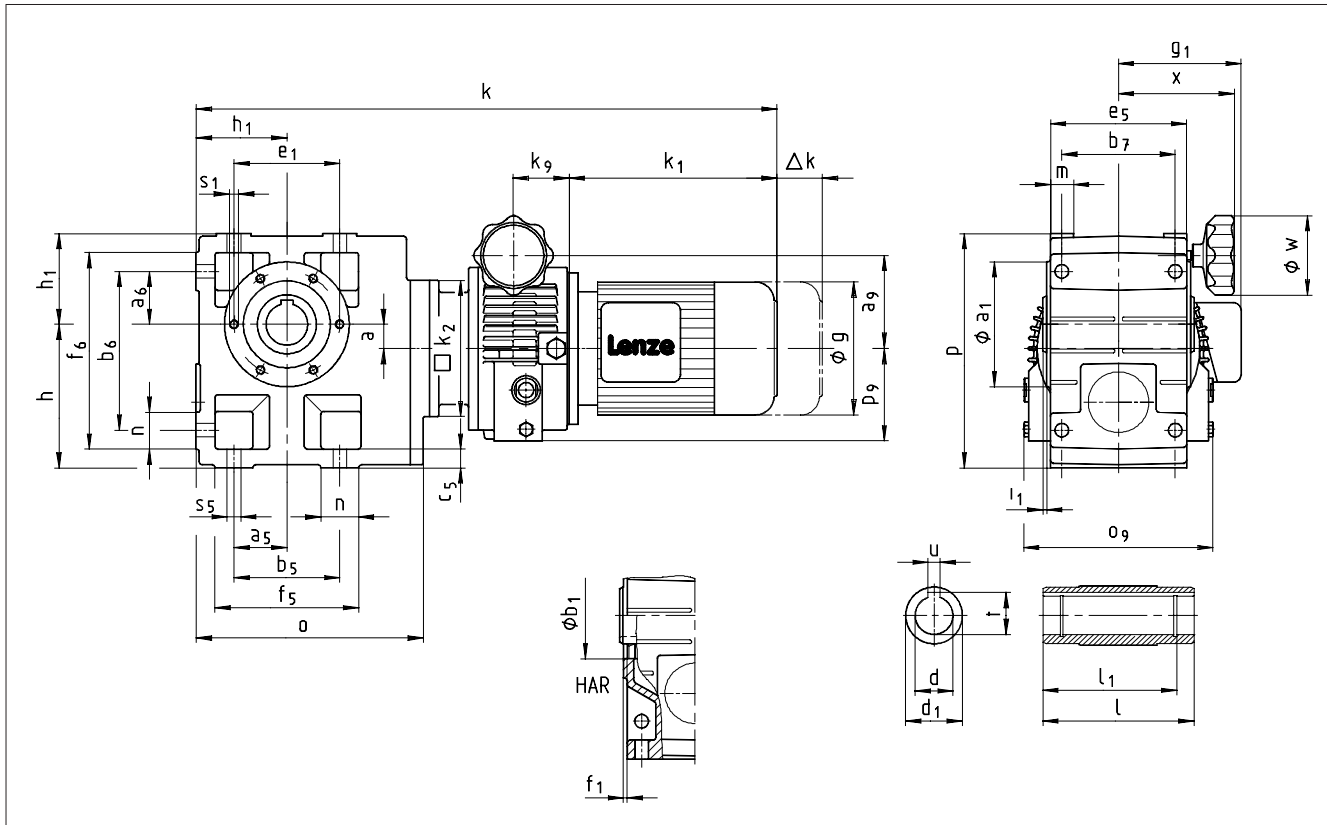
P ₁	50 Hz		i	Disco variable speed drives	Dim. Page
	n ₂ [min ⁻¹]	M ₂ [Nm]			
4 kW	49 - 8.5	555 - 1097	20.517	GSS □□ - 2D GSS07 - 2D □□□ 112-22 07G	4-60
	40 - 7.0	683 - 1250	25.188	GSS07 - 2D □□□ 112-22 07G	
	32 - 5.7	844 - 1250	31.000	GSS07 - 2D □□□ 112-22 07G	
	26 - 4.5	1070 - 1250	39.200	GSS07 - 2D □□□ 112-22 07G	

Thermal limit not considered (see note on page 3-12)



Disco variable speed drives

Dimensions with helical-worm gearboxes



4

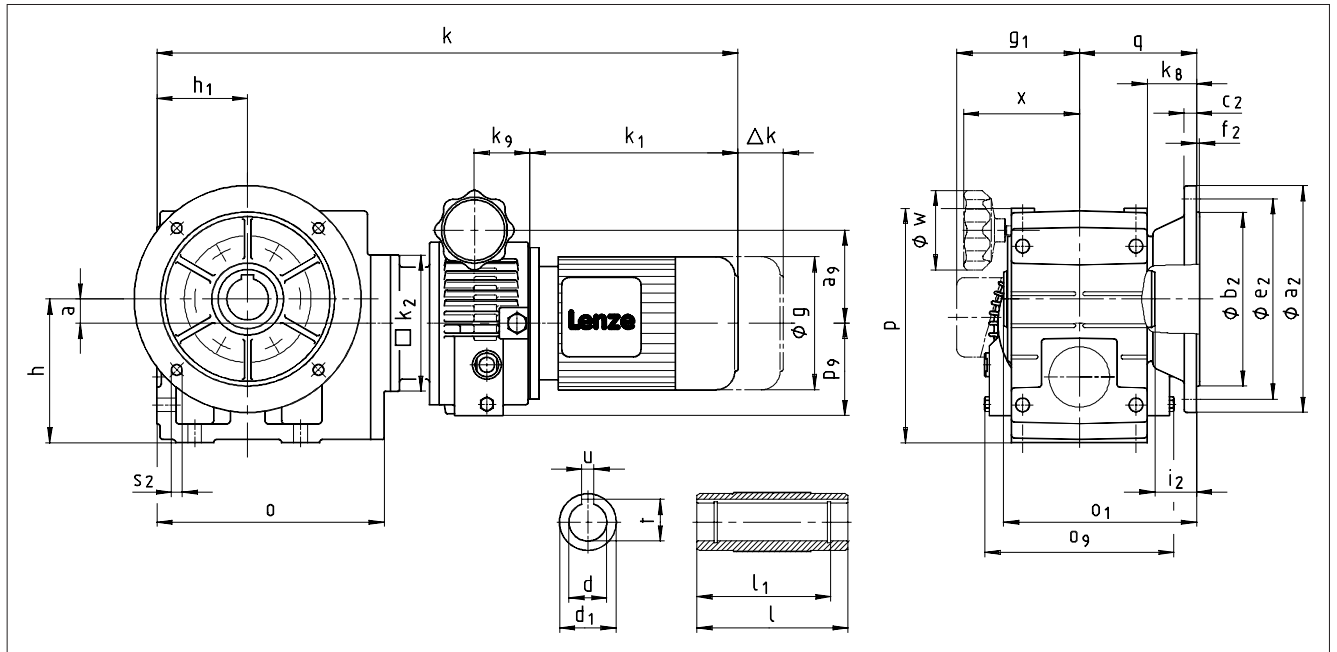
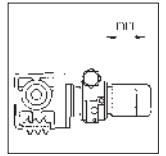
Disco variable speed drives		Drive size											
GSS □□ - 2 D H □ R		071-1□ 02	071-3□ 03	080-3□ 04	090-3□ 05	100-32 06	112-22 07						
Motor	g	143	143	160	180	206	222						
	g₁	Without options	128	128	137	147	140	174					
		Brake motor	131	131	142	154	151	174					
	k₁	237	237	267	350	316	379						
	Δk Brake	54	54	36	48	111	80						
DISCO	a₉	83	86	103	123		149						
	k₂	145	145	180	180		265						
	k₉	42	50	58	74		82						
	o₉	150	175	215	253		305						
	p₉	65	83	98	122		145						
	p₁₀	14	14	17	17		17						
	w	70	70	105	105		105						
	x	105	105	152	152		152						
Gearbox size	Gearbox						Total length						
	o	l*	p*	h**	h₁	a	k						
GSS 04	181	115	171	100	71	20	554	568	628				
GSS 05	212	140	205	125	80	23	576	589	649	761			
GSS 06	255	160	250	150	100	26	616	629	689	801			
GSS 07	305	200	310	190	120	33			732	844	841	904	

Gearbox size	Hollow shaft						Pitch circle					Foot												
	d H7	l	d ₁	l ₁	u JS9	t +0.2	a ₁	b ₁ H7	e ₁	f ₁	i ₁	s ₁ 6x60°	a ₅	a ₆	b ₅	b ₆	b ₇	c ₅	e ₅	f ₅	f ₆	n	m	s ₅
GSS 04	25 30	115	45	100	8 8	28.3 33.3	105	75	90	3	2.5	M6x12	45	45	90	119	85	14	100	112	141	22	20	9
GSS 05	30 35	140	50	124	8 10	33.3 38.3	118	80	100	4	4	M8x15	47.5	47.5	95	140	105	17	127	124	169	29	21	11
GSS 06	40 45	160	65	140	12 14	43.3 48.8	140	100	120	4	5	M10x16	60	60	120	170	120	20	145	156	206	36	23	14
GSS 07	50 55	200	75	175	14 16	53.8 59.3	165	115	140	5	5	M12x18	70	70	140	210	150	25	180	185	255	45	28	18

Dimensions in [mm] * Observe dimension k₂ ** Observe dimension p₉ 1) Plus 80 mm for handle

Disco variable speed drives

Dimensions with helical-worm gearboxes

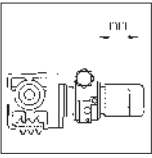


4

Disco variable speed drives		Drive size														
GSS □□ - 2 D HAK		071-1□ 02	071-3□ 03	080-3□ 04	090-3□ 05	100-32 06	112-22 07									
Motor	g	143	143	160	180	206	222									
	g₁	Without options	128	128	137	147	140	174								
		Brake motor	131	131	142	154	151	174								
	k₁	237	237	267	350	316	379									
Δk Brake	54	54	36	48	111	80										
DISCO	a₉	83	86	103	123		149									
	k₂	145	145	180	180		265									
	k₉	42	50	58	74		82									
	o₉	150	175	215	253		305									
	p₉	65	83	98	122		145									
	w	70	70	105	105		105									
x	105	105	152	152		152										
Gearbox size	Gearbox							Total length								
	o	o ₁ *	p*	h**	h ₁	a	k ₈	q	k							
GSS 04	181	148	171	100	71	20	38	90.5	554	568	628					
GSS 05	212	173	205	125	80	23	40	103	576	589	649	761				
GSS 06	255	201	250	150	100	26	49	121	616	629	689	801				
GSS 07	305	255	310	190	120	33	65	155			732	844	841			904

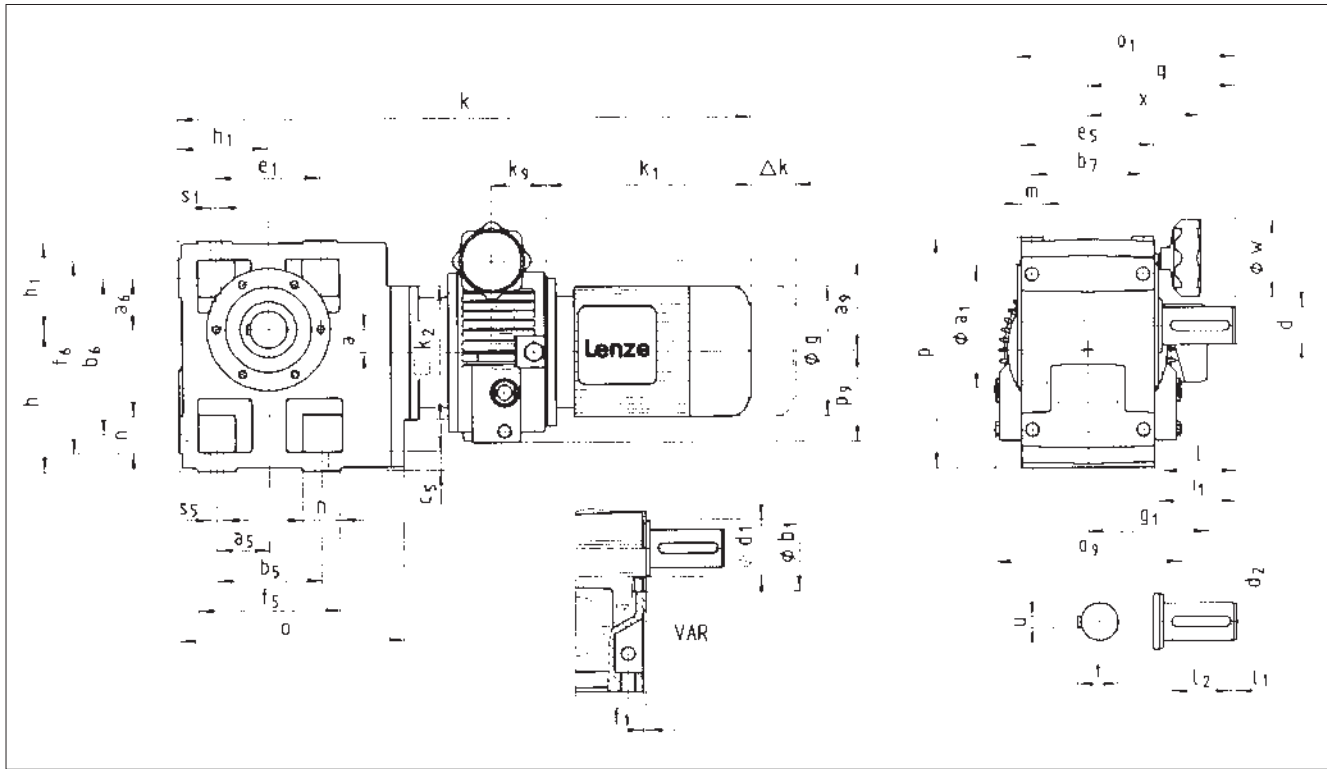
Gearbox size	d H7	l	Hollow shaft				Output flange							
			d ₁	l ₁	u JS9	t +0.2	a ₂	b ₂ j7	c ₂	e ₂	f ₂	i ₂	s ₂	
GSS 04	25	115	45	100	8	28.3	160	110	10	130	3.5	33	4 x 9	
	8				33.3									
GSS 05	30	140	50	124	8	33.3	200	130	12	165	3.5	33	4 x 11	
	10				38.3									
GSS 06	40	160	65	140	12	43.3	200	130	12	165	3.5	42	4 x 11	
	14				48.8	250								180
GSS 07	50	200	75	175	14	53.8	250	180	14.5	215	4	55	4 x 14	
	16				59.3	300								230

Dimensions in [mm] * Observe dimension k₂ ** Observe dimension p₉ 1) Plus 80 mm for handle



Disco variable speed drives

Dimensions with helical-worm gearboxes



4

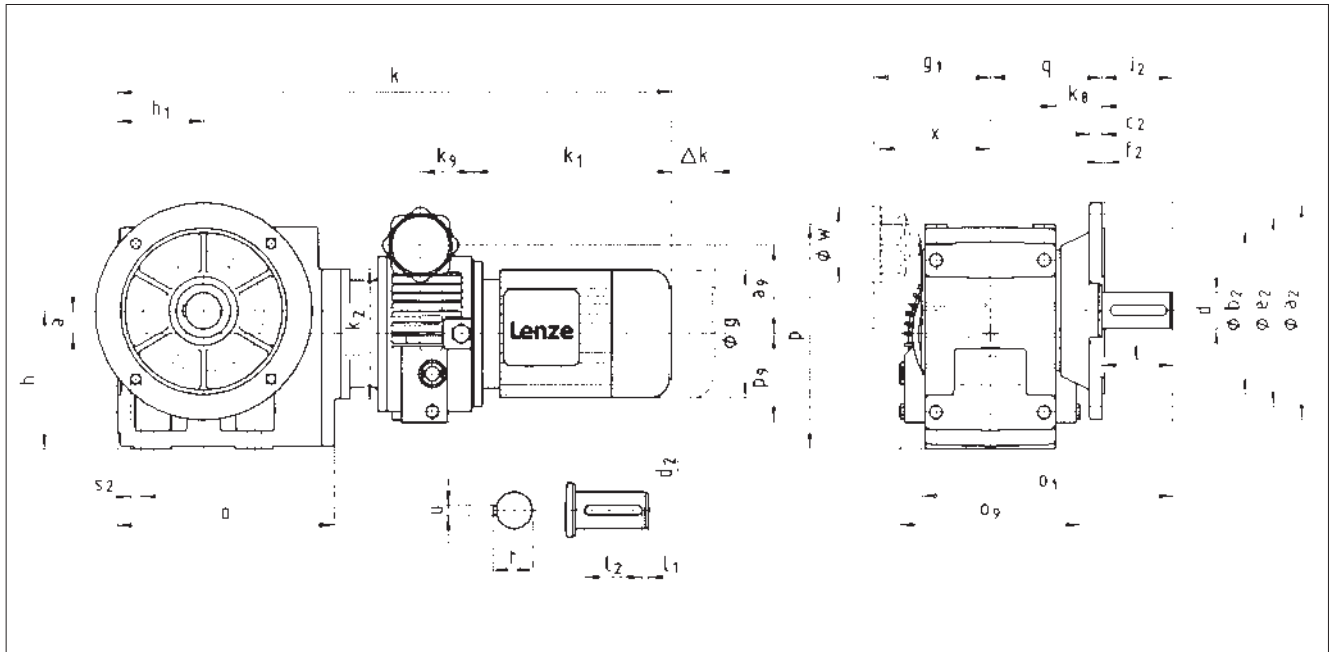
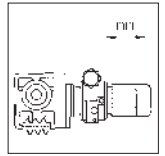
Disco variable speed drives		Drive size											
GSS □□ - 2 D V □ R		071-1□ 02	071-3□ 03	080-3□ 04	090-3□ 05	100-32 06	112-22 07						
Motor	g	143	143	160	180	206	222						
	g₁	Without options	128	128	137	147	140	174					
		Brake motor	131	131	142	154	151	174					
	k₁	237	237	267	350	316	379						
	Δk Brake	54	54	36	48	111	80						
DISCO	a₉	83	86	103	123	149							
	k₂	145	145	180	180	265							
	k₉	42	50	58	74	82							
	o₉	150	175	215	253	305							
	p₉	65	83	98	122	145							
	w	70	70	105	105	105							
	x	105	105	152	152	152							
Gearbox size	Gearbox							Total length					
	o	o₁*	p*	h**	h₁	a	q	k					
GSS 04	181	163	171	100	71	20	107.5	554	568	628			
GSS 05	212	197	205	125	80	23	130	576	589	649	761		
GSS 06	255	236	250	150	100	26	160	616	629	689	801		
GSS 07	305	296	310	190	120	33	200			732	844	841	904

Gearbox size	Solid shaft								Pitch circle						Foot											
	d	l	d₁	l₁	l₂	d₂	u	t	a₁	b₁ H7	e₁	f₁	i₁	s₁	a₅	a₆	b₅	b₆	b₇	c₅	e₅	f₅	f₆	n	m	s₅
GSS 04	25	50	45	4	40	M10	8	28	105	75	90	3	52.5	M6x12	45	45	90	119	85	14	105	112	141	22	20	9
GSS 05	30	60	50	6	45	M10	8	33	118	80	100	4	64	M8x15	47.5	47.5	95	140	105	17	127	124	169	29	21	11
GSS 06	40	80	65	7	63	M16	12	43	140	100	120	4	85	M10x16	60	60	120	170	120	20	145	156	206	36	23	14
GSS 07	50	100	75	8	80	M16	14	53.5	165	115	140	5	105	M12x18	70	70	140	210	150	25	180	185	255	45	28	18

Dimensions in [mm] d ≤ 50 mm: k6 * Observe dimension k₂ 1) Plus 80 mm for handle
d > 50 mm: m6 ** Observe dimension p₉

Disco variable speed drives

Dimensions with helical-worm gearboxes

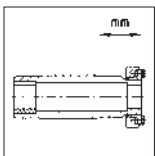


4

Disco variable speed drives		Drive size												
GSS □□ - 2 D VAK		071-1□ 02	071-3□ 03	080-3□ 04	090-3□ 05	100-32 06	112-22 07							
Motor	g	143	143	160	180	206	222							
	g₁	Without options	128	128	137	147	140	174						
		Brake motor	131	131	142	154	151	174						
	k₁	237	237	267	350	316	379							
	Δk Brake	54	54	36	48	111	80							
DISCO	a₉	83	86	103	123	149								
	k₂	145	145	180	180	265								
	k₉	42	50	58	74	82								
	o₉	150	175	215	253	305								
	p₉	65	83	98	122	145								
	w	70	70	105	105	105								
	x	105	105	152	152	152								
Gearbox size	Gearbox								Total length					
	o	o₁*	p*	h**	h₁	a	k₈	q	k					
GSS 04	181	196	171	100	71	20	38	90.5	554	568	628			
GSS 05	212	230	205	125	80	23	40	103	576	589	649	761		
GSS 06	255	277	250	150	100	26	49	121	616	629	689	801		
GSS 07	305	351	310	190	120	33	65	155			732	844	841	904

Gearbox size	Solid shaft								Output flange					
	d	l	l₁	l₂	d₂	u	t	a₂	b₂ j7	c₂	e₂	f₂	i₂	s₂
GSS 04	25	50	4	40	M10	8	28	160	110	10	130	3.5	50	4 x 9
GSS 05	30	60	6	45	M10	8	33	200	130	12	165	3.5	60	4 x 11
GSS 06	40	80	7	63	M16	12	43	250	180	14.5	215	4	80	4 x 14
GSS 07	50	100	8	80	M16	14	53.5	250 300	180 230	14.5 16.5	215 265	4	100	4 x 14

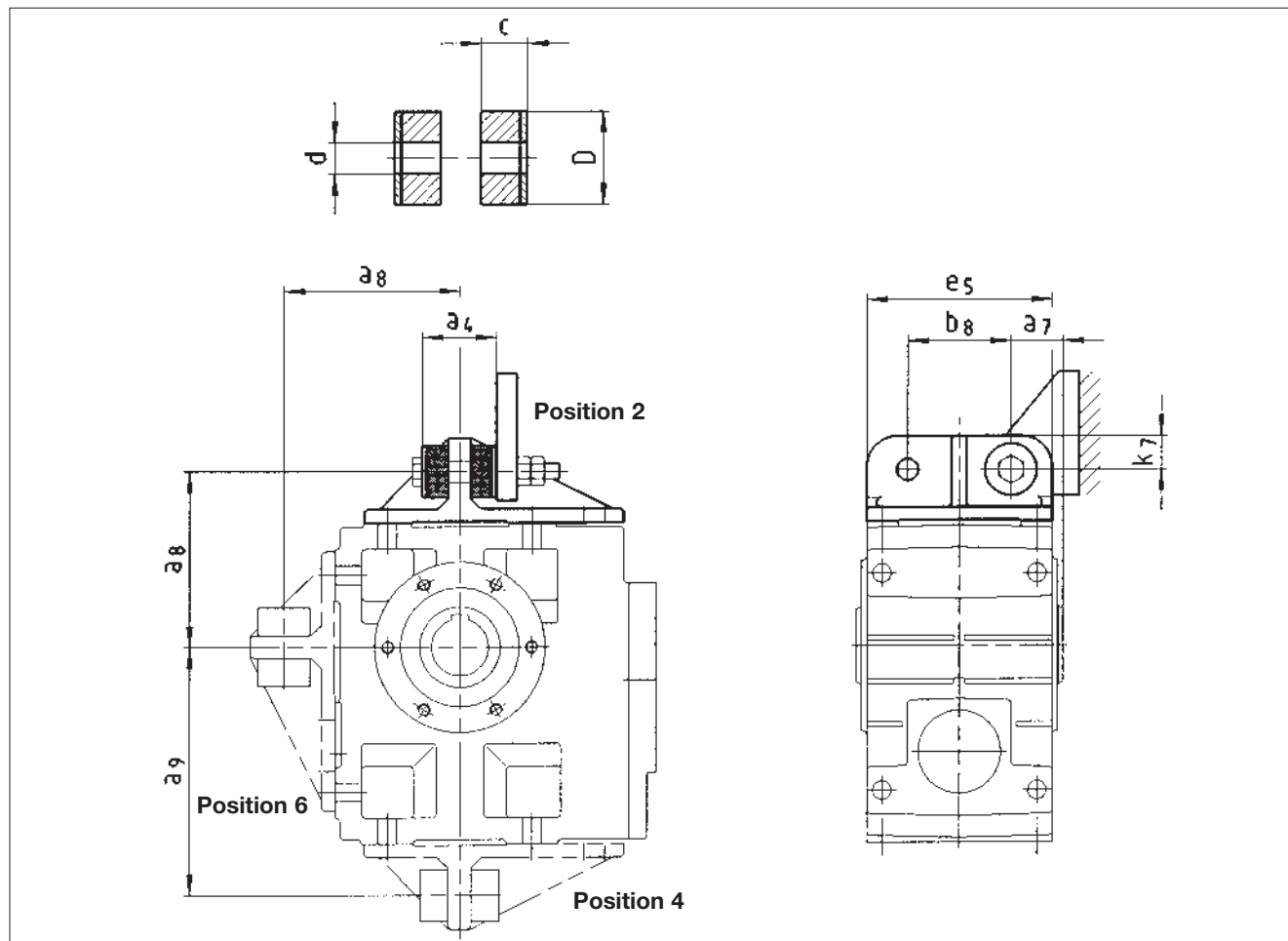
Dimensions in [mm] d ≤ 50 mm: k6 * Observe dimension k₂ 1) Plus 80 mm for handle
d > 50 mm: m6 ** Observe dimension p₉



Disco variable speed drives

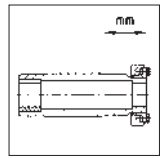
Additional dimensions GSS

Torque plate at housing foot

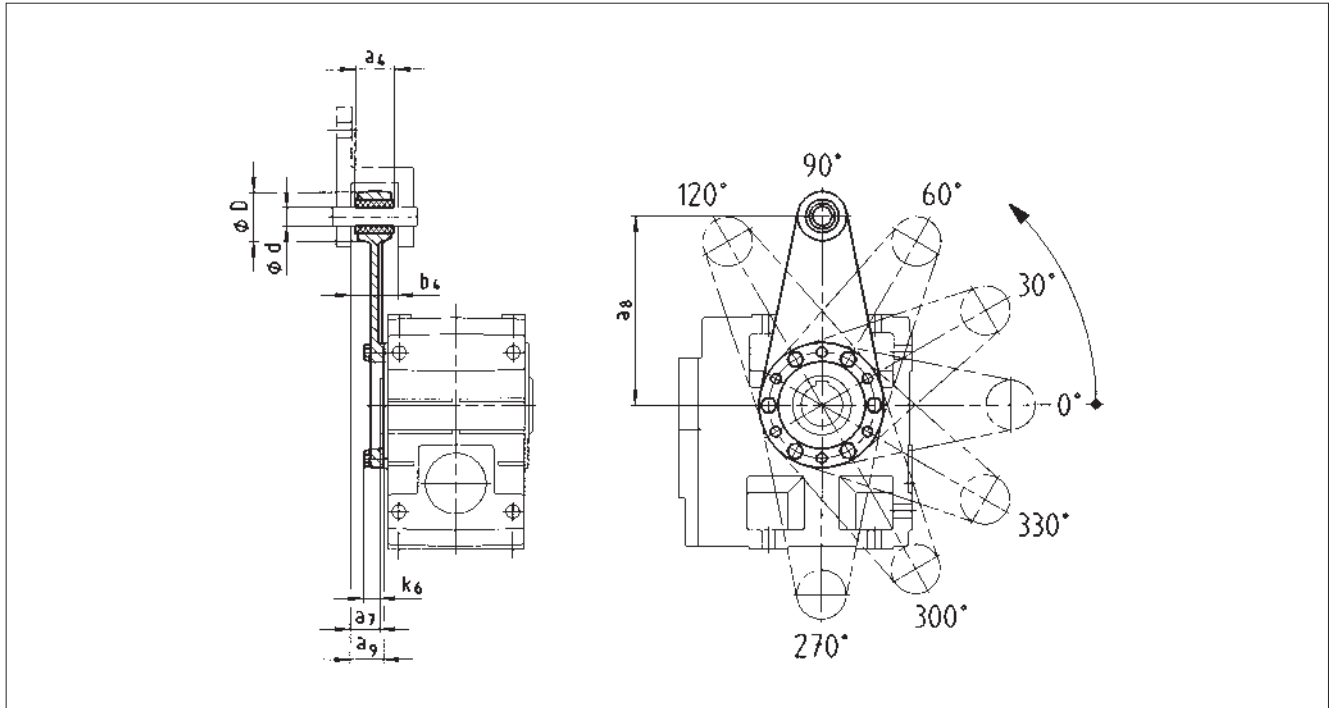


Gearbox size	a_4	a_7	a_8	a_9	b_8	c	d	D	e_5	k_7
GSS 04	41	27.5	106	135	60	14.5	11	30	100	20
GSS 05	45	35	115	160	70	15	13	40	127	25
GSS 06	72	40	145	195	80	27	17	50	145	30
GSS 07	78	50	170	240	100	28	21	60	180	35

Dimensions in [mm]

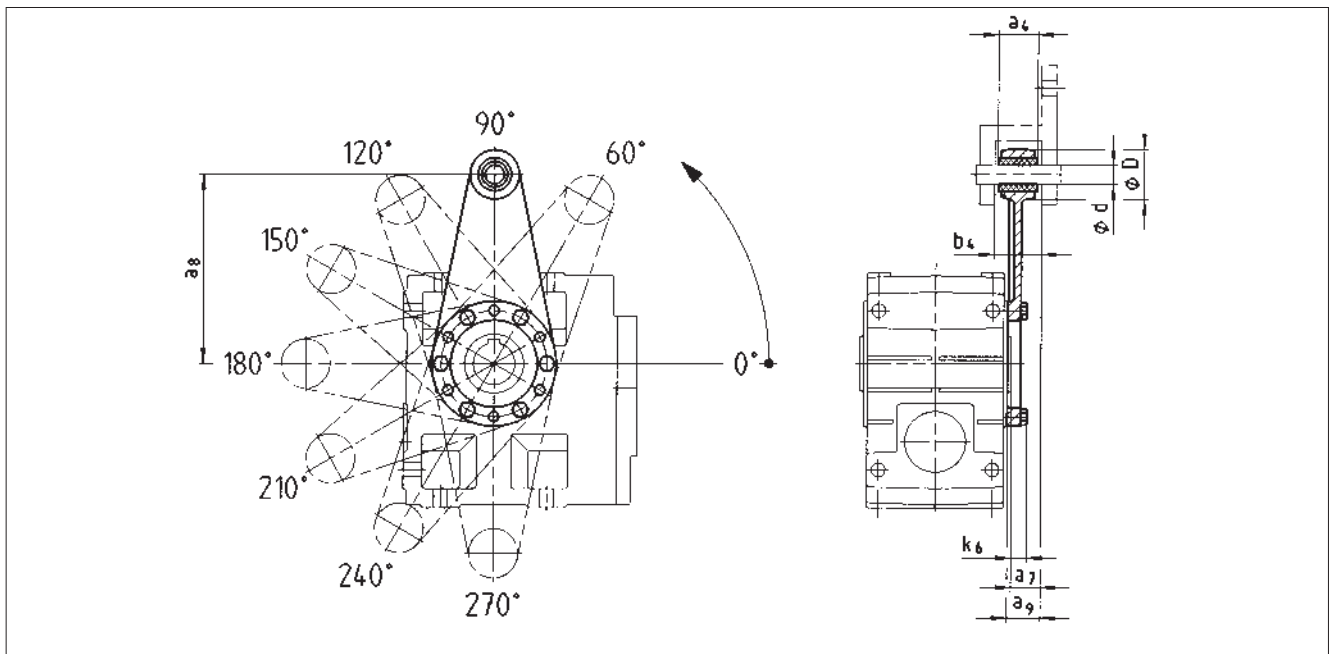


Torque plate at pitch circle in position 3



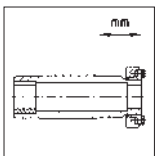
4

Torque plate at pitch circle in position 5



Gearbox size	Assembly space		Torque plate					
	a ₇	b ₄	a ₄	a ₈	a ₉	d	D	k ₆
GSS 04	24	34.5	30	130	26.5	12	35	16
GSS 05	23.5	38.5	34	160	27.5	16	45	15
GSS 06	28	44.5	40	200	33	20	50	18
GSS 07	32.5	50.5	46	250	37.5	25	65	21

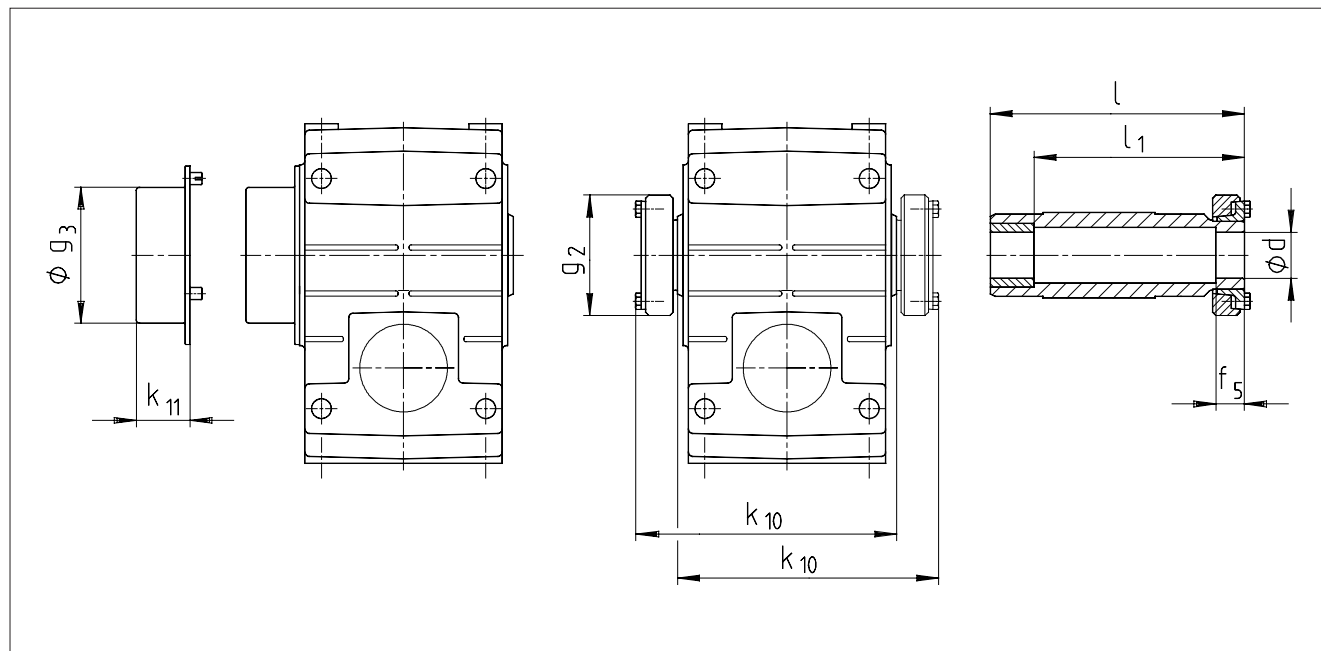
Dimensions in [mm]



Disco variable speed drives

Additional dimensions GSS

Hollow shaft with shrink disc



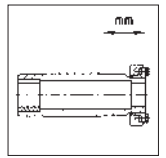
4

Gearbox size	Machine shaft		Hollow shaft			Gearbox*		Protection cover	
	d	Fit	l	l ₁	f ₅	g ₂	k ₁₀	g ₃	k ₁₁
GSS 04	25 30	h6	142	122	26	72	146	79	41
GSS 05	30 35	h6	168	148	28	80	171	90	43
GSS 06	40	h6	194	164	30	90	197	100	49
GSS 07	50	h6	232	192	26	110	234	124	49

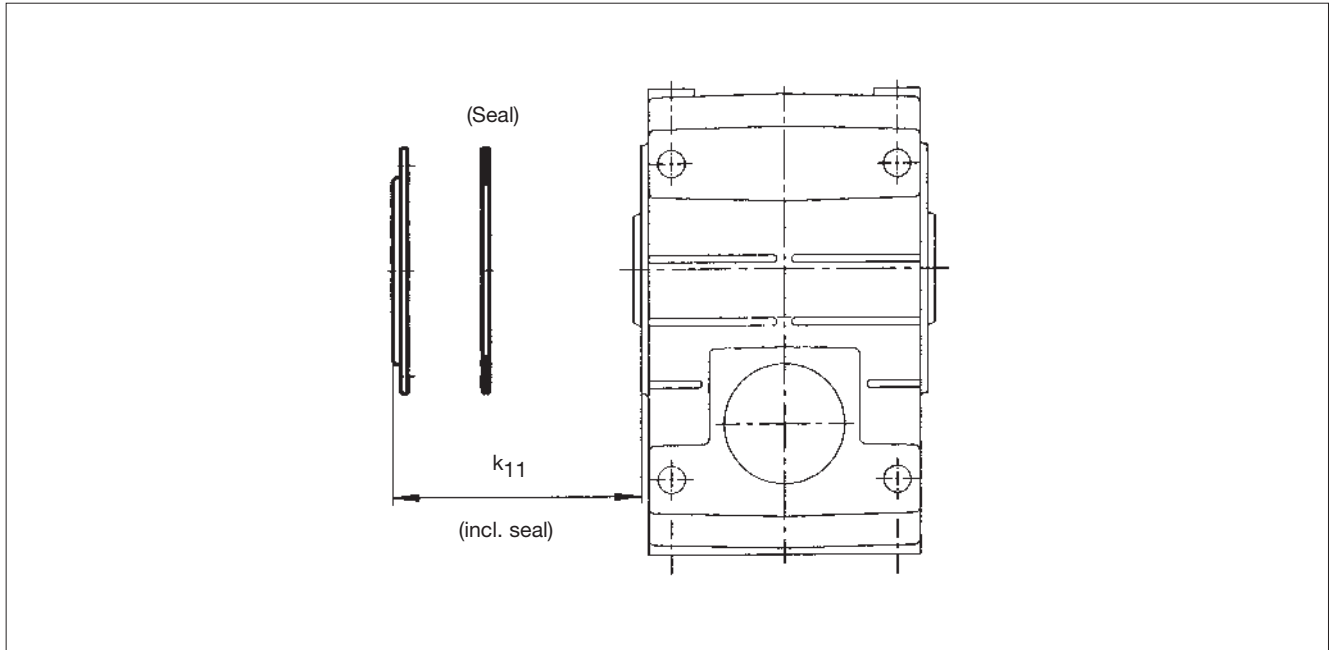
* Ensure sufficient strength of shaft material for shrink disc designs. When using customary steel (e.g. C45, 42CrMo4), the torques indicated in the selection tables can be transferred without any reservation. When using materials of a lower strength, please contact Lenze.

The average peak-to-valley height R_z should not exceed 15 μm . (Turning operation is sufficient).

Dimensions in [mm]



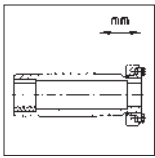
Hollow shaft protection – jet-proof



4

Gearbox size	Protection cover k ₁₁
GSS 04	9
GSS 05	10
GSS 06	11
GSS 07	11

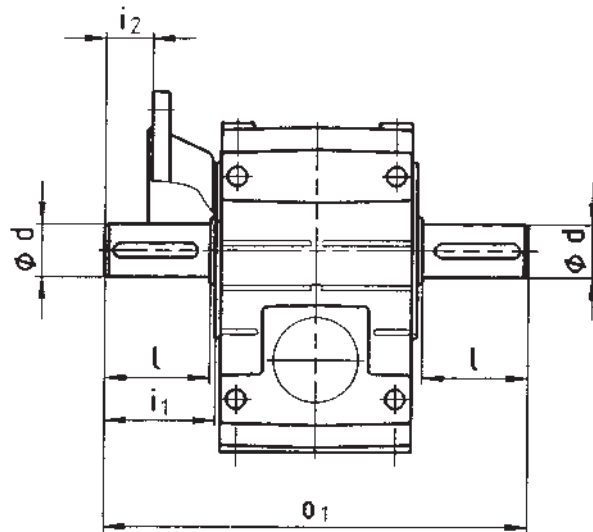
Dimensions in [mm]



Disco variable speed drives

Additional dimensions GSS

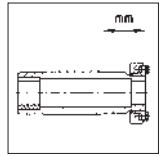
Gearboxes with 2nd output shaft end



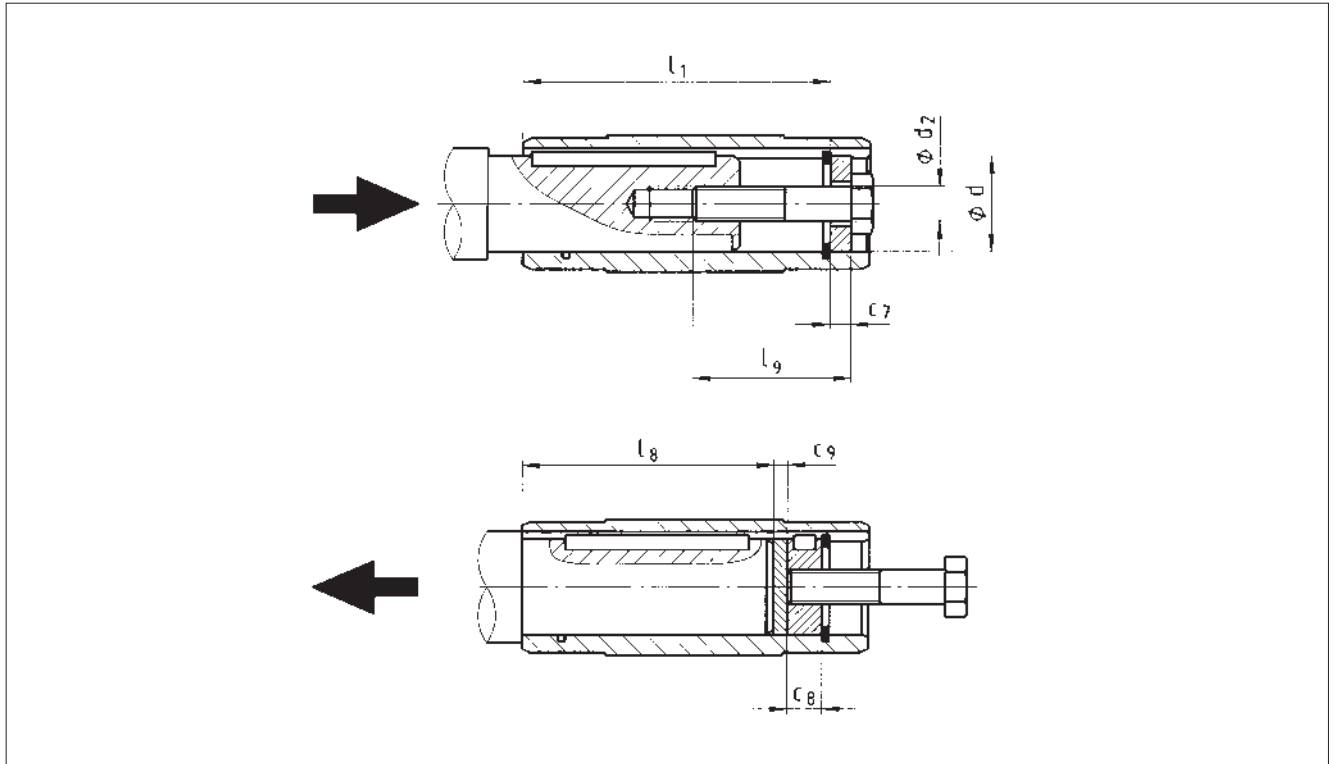
4

Gearbox size	d	l	i ₁	i ₂	o ₁
GSS 04	25	50	52.5	17	215
GSS 05	30	60	64	27	260
GSS 06	40	80	85	39	320
GSS 07	50	100	105	45	400

Dimensions in [mm]

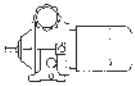


Mounting kit – hollow shaft retention · Design proposal for auxiliary tools



Gearbox size	Hollow shaft (design H)			Mounting kit – hollow shaft retention (Auxiliary tool – mounting)			Auxiliary tool Disassembly		Machine shaft max l₈
	l	l ₁	d H7	d ₂	l ₉	c ₇	c ₈	c ₉	
GSS 04	115	100	25 30	M10 M10	40	5 6	10	3	85
GSS 05	140	124	30 35	M10 M12	40 50	6 7	10 12	3	107
GSS 06	160	140	40 45	M16	60	8 9	16	4	118
GSS 07	200	175	50 55	M16 M20	60 80	10 11	16 20	5	148

Dimensions in [mm]



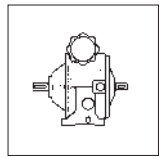
Disco variable speed drives

Selection tables with motor

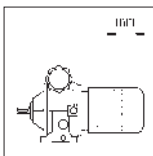
P ₁	50 Hz		DISCO	Motor	Dim. Page
	n ₂ [min-1]	M ₂ [Nm]			
0.25 kW					
n1=1380	930-155	2-4	11.710.02.00	071-12	4-72
0.37 kW					
n1=2840	1860-310	1.6-3.2	11.710.02.00	071-11	4-72
n1=1390	950-165	3-6	11.710.03.00	071-32	4-72
0.55 kW					
n1=2840	1920-335	2.2-4.4	11.710.03.00	071-31	4-72
n1=1410	950-165	4.5-12	11.710.04.00	080-12	4-72
0.75 kW					
n1=2810	1920-335	3-9	11.710.04.00	080-11	4-72
n1=1380	950-165	6-12	11.710.04.00	080-32	4-72
1.1 kW					
n1=2810	1920-335	4.5-9	11.710.04.00	080-31	4-72
n1=1420	950-165	9-24	11.710.05.00	090-12	4-72
1.5 kW					
n1=2800	1920-335	6-18	11.710.05.00	090-11	4-72
n1=1420	950-165	12-24	11.710.05.00	090-32	4-72
2.2 kW					
n1=2800	1920-335	9-18	11.710.05.00	090-31	4-72
n1=1400	1000-175	17-44	11.710.06.00	100-12	4-72
3 kW					
n1=1400	1000-175	22-44	11.710.06.00	100-32	4-72
4 kW					
n1=1430	1000-175	32-64	11.710.07.00	112-22	4-72
5.5 kW					
n1=1450	1000-200	45-90	11.710.18.00	132-12	4-72
7.5 kW					
n1=1450	1000-200	58-116	11.710.08.00	132-22	4-72

Disco variable speed drives

Selection tables with free input shaft

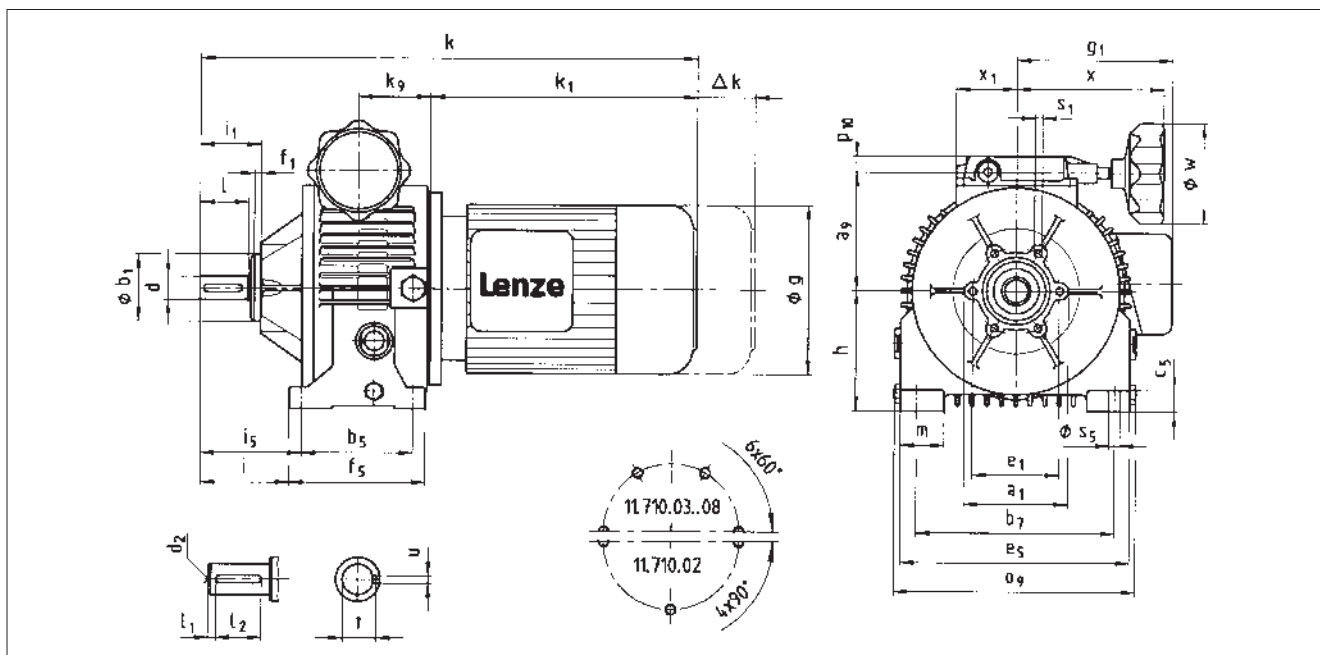


DISCO Dim. page 4-74	P _{1 perm} [kW] M _{2 perm} [Nm] n ₂ [min ⁻¹]	n1			
		3000 min ⁻¹	1500 min ⁻¹	1000 min ⁻¹	750 min ⁻¹
11.700.02.00	P ₁ M ₂ n ₂	0.37 1.6-3.2 1860-310	0.25 2-4 930-155	0.18 2-4 600-100	0.12 2-4 450-75
11.700.03.00	P ₁ M ₂ n ₂	0.55 2.2-4.4 1920-335	0.37 3-6 950-165	0.25 3-6 630-110	0.18 3-6 460-80
11.700.04.00	P ₁ M ₂ n ₂	1.1 4.5-9 1920-335	0.75 6-12 950-165	0.55 6-12 630-110	0.37 6-12 460-80
11.700.05.00	P ₁ M ₂ n ₂	2.2 9-18 1920-335	1.5 12-24 950-165	1.1 12-24 630-110	0.75 12-24 460-80
11.700.06.00	P ₁ M ₂ n ₂		3 22-44 1000-175	2.2 22-44 660-115	1.5 22-44 490-85
11.700.07.00	P ₁ M ₂ n ₂		4 32-64 1000-175	3 32-64 660-115	2.2 32-64 490-85
11.700.18.00	P ₁ M ₂ n ₂		5.5 45-90 1000-200	4 45-90 660-130	3 45-90 490-100
11.700.08.00	P ₁ M ₂ n ₂		7.5 58-116 1000-200	5.5 58-116 660-130	4 58-116 490-100



DISCO variable speed drives

Dimensions with motor



4

DISCO variable speed drives		Motor frame size								
11.710. □□.00 Foot design		071-1□ 071-3□	080-1□ 080-3□	090-1□ 090-3□	100-1□ 100-3□	112-22	132-12	132-22		
Motor	g	143	160	180	206	222	274	274		
	g ₁	128	137	147	140	174	196	196		
	Brake motor	131	142	154	151	174	212	212		
	k ₁	237	267	350	316	379	450	450		
	Δk Brake	54	36	48	111	80	63	63		
Gearbox size	Gearboxes								Total length	
	a ₉	h	k ₉	o ₉	p ₁₀	w	x	x ₁	k	
11.710.02	83	67*	42	150	14	70	105	43	368	465
11.710.03	86	80	50	175	14	70	105	43	395	
11.710.04	103	102	58	215	17	105	152	63		
11.710.05	123	125	74	253	17	105	152	63	589	
11.710.06	149	150	82	305	17	105	152	63	596	659
11.710.07	149	150	82	305	17	105	152	63		
11.710.18	190	180	104	379	26	160	195 ¹⁾	111		774
11.710.08	190	180	104	379	26	160	195 ¹⁾	111		774

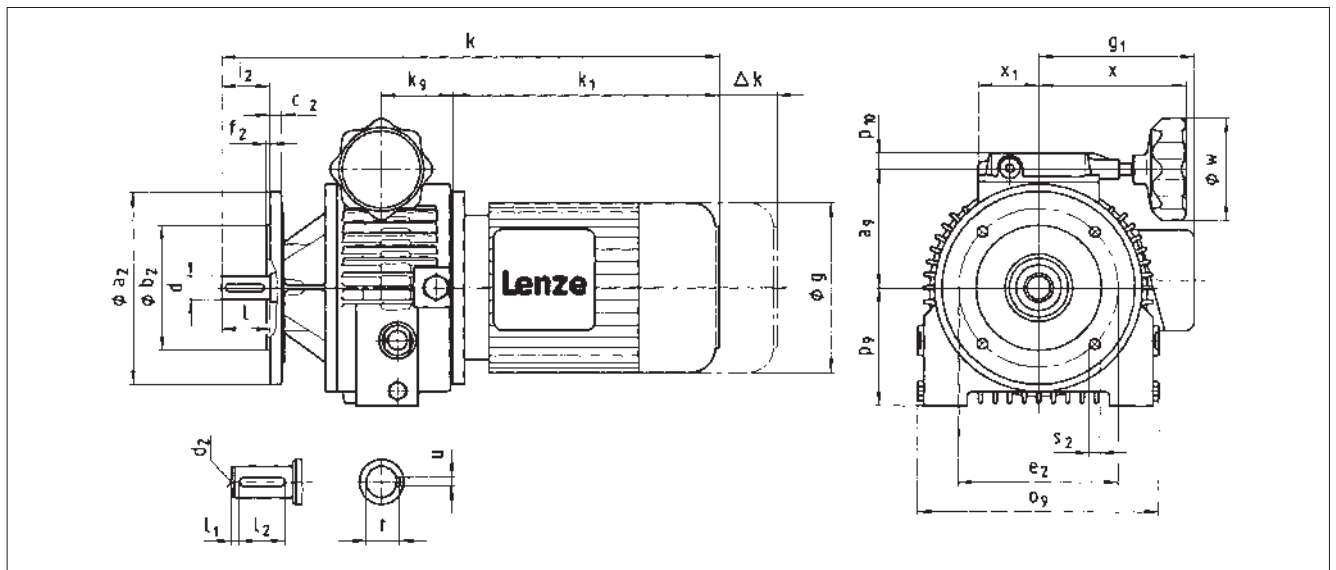
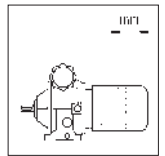
Gearbox size	Solid shaft							Pitch circle					Foot									
	d k6	l	l ₁	l ₂	d ₂	u	t	a ₁	b ₁ h ₇	e ₁	f ₁	i ₁	s ₁	b ₅	b ₇	c ₅	e ₅	f ₅	i	i ₅	m	s ₅
11.710.02	11	23	3	16	M4	4	12.5	86	58	74	5	35	M6x14	90	110	3.5	140	110	33	43	25	10
11.710.03	14	30	4	20	M5	5	16	90	58	74	5	42	M6x10	90	120	14	160	125	44	62	32	10
11.710.04	19	40	5	28	M6	6	21.5	108	70	90	5	54	M8x16	100	150	17	200	134	71	89	40	11
11.710.05	24	50	4	40	M8	8	27	108	70	90	5	64	M8x16	115	205	22	238	140	95	107	45	11
11.710.06	28	60	6	40	M10	8	31	140	100	120	7	77	M10x20	220	255	26	290	252	76	92	55	13.5
11.710.07	28	60	6	40	M10	8	31	140	100	120	7	77	M10x20	220	255	26	290	252	76	92	55	13.5
11.710.18	38	80	10	56	M12	10	41	165	120	145	11	100	M12x24	255	320	30	364	305	86	110	60	17.5
11.710.08	38	80	10	56	M12	10	41	165	120	145	11	100	M12x24	255	320	30	364	305	86	110	60	17.5

Dimensions in [mm] * g/2 > h

1) Plus 80 mm for handle

DISCO variable speed drives

Dimensions with motor



DISCO variable speed drives		Motor frame size																
11.710. □ □ .00 Flange design		071-1□ 071-3□	080-1□ 080-3□	090-1□ 090-3□	100-1□ 100-3□	112-22	132-12	132-22										
Motor	g	143	160	180	206	222	274	274										
	g ₁	128	137	147	140	174	196	196										
	Brake motor	131	142	154	151	174	212	212										
	k ₁	237	267	350	316	379	450	450										
	Δk Brake	54	36	48	111	80	63	63										
Gearbox size	Gearboxes								Total length									
	a ₉	k ₉	o ₉	p ₉ *	p ₁₀	w	x	x ₁	k									
11.710.02	83	42	150	65	14	70	105	43	368									
11.710.03	86	50	175	83	14	70	105	43	395									
11.710.04	103	58	215	98	17	105	152	63		465								
11.710.05	123	74	253	122	17	105	152	63			589							
11.710.06	149	82	305	145	17	105	152	63				596						
11.710.07	149	82	305	145	17	105	152	63					659					
11.710.18	190	104	379	176	26	160	195 ¹⁾	111						774				
11.710.08	190	104	379	176	26	160	195 ¹⁾	111										774

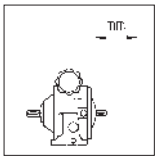
Gearbox size	Solid shaft								Output flange						
	d k6	l	l ₁	l ₂	d ₂	u	t	a ₂	b ₂ j7	c ₂	e ₂	f ₂	i ₂	s ₂	
11.710.02	11	23	3	16	M4	4	12,5	120	80	12	100	3	23	7	
								140	95	10	115	3		9	
								160	110	10	130	3,5		9	
11.710.03	14	30	4	20	M5	5	16	140	95	10	115	3	30	9	
								160	110	10	130	3,5		9	
								200	130	12	165	3,5		11	
11.710.04	19	40	5	28	M6	6	21,5	160	110	12	130	3,5	40	9	
								200	130	12	165	3,5		11	
								250	180	14	215	4		14	
11.710.05	24	50	4	40	M8	8	27	160	110	12	130	3,5	50	9	
								200	130	12	165	3,5		11	
								250	180	14	215	4		14	
11.710.06	28	60	6	40	M10	8	31	200	130	14	165	3,5	60	11	
								250	180	15	215	4		14	
								300	230	17	265	4		14	
11.710.07	28	60	6	40	M10	8	31	200	130	14	165	3,5	60	11	
								250	180	15	215	4		14	
								300	230	17	265	4		14	
11.710.18	38	80	10	56	M12	10	41	250	180	16	215	4	80	14	
								300	230	18	265	4		14	
								350	250	20	300	5		18	
11.710.08	38	80	10	56	M12	10	41	250	180	16	215	4	80	14	
								300	230	18	265	4		14	
								350	250	20	300	5		18	

Dimensions in [mm]

* g/2 > h

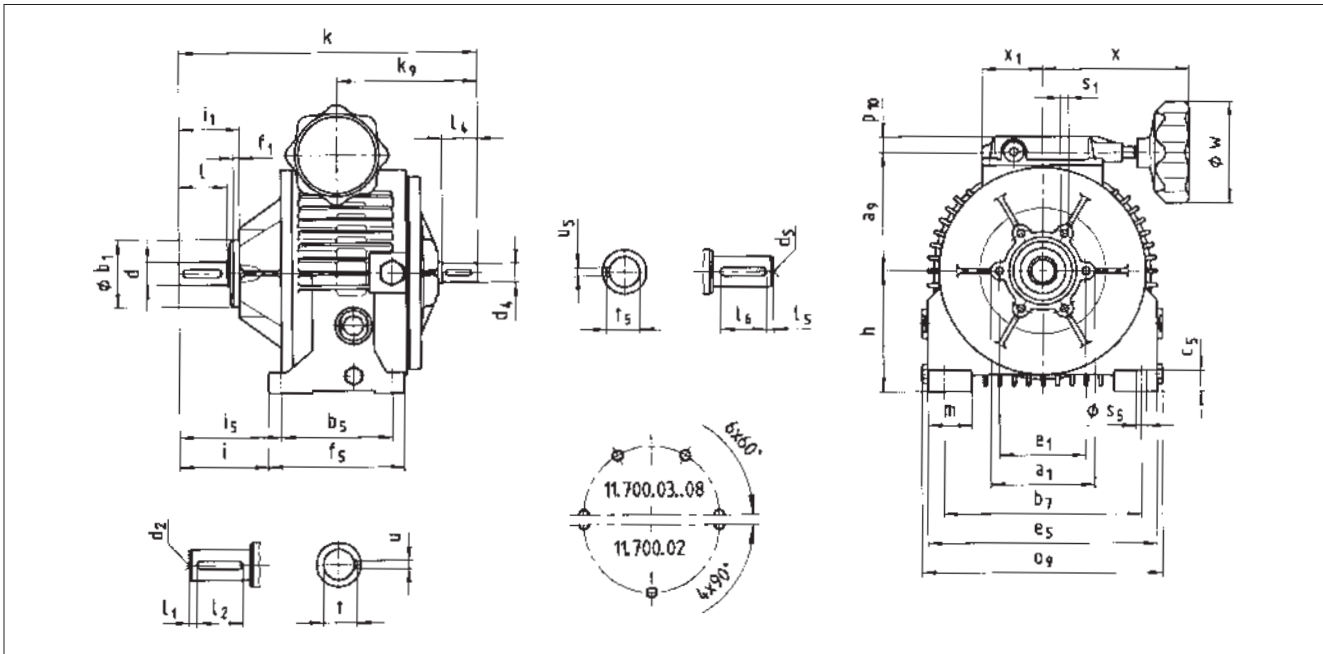
1) Plus 80 mm for handle

11.710.02: Mounting to machine wall: Provide stud bolts



DISCO variable speed drives

Dimensions with free input shaft



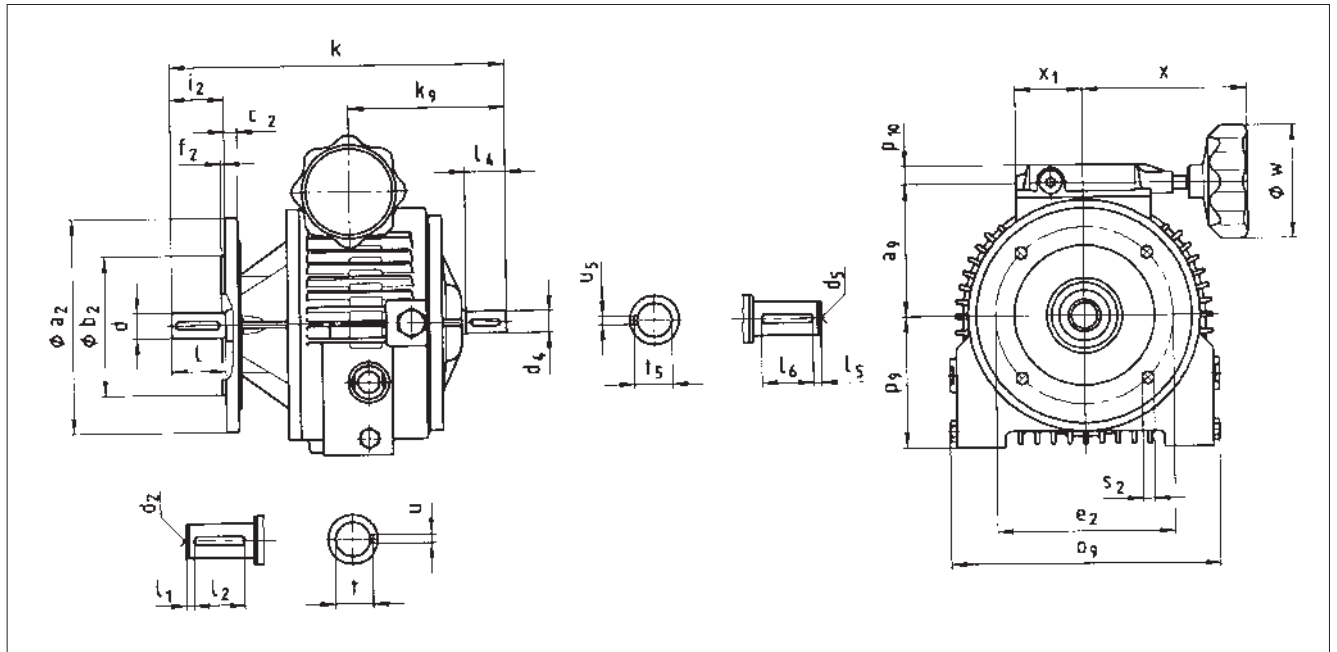
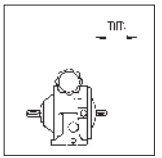
4

DISCO variable speed drives
11.700. □□.00 Foot design

Gearbox size	Gearboxes								Input shaft						Total length k	
	a ₉	h	k ₉	o ₉	p ₁₀	w	x	x ₁	d ₄ k ₆	l ₄	l ₅	l ₆	d ₅	u ₅		t ₅ +0.2
11.700.02	83	67	94	150	14	70	105	43	11	23	3	16	M4	4	12.5	183
11.700.03	86	80	112	175	14	70	105	43	14	30	4	20	M5	5	16	219
11.700.04	103	102	112	215	17	105	152	63	15	30	5	20	M5	5	17	251
11.700.05	123	125	147	253	17	105	152	63	20	40	6	28	M6	6	22.5	312
11.700.06	149	150	186	305	17	105	152	63	25	50	5	40	M10	8	28	383
11.700.07	149	150	186	305	17	105	152	63	25	50	5	40	M10	8	28	383
11.700.18	190	180	256	379	26	160	195 ¹⁾	111	30	60	3	50	M10	8	33	476
11.700.08	190	180	256	379	26	160	195 ¹⁾	111	30	60	3	50	M10	8	33	476

Gearbox size	Solid shaft							Pitch circle					Foot									
	d k6	l	l ₁	l ₂	d ₂	u	t +0.2	a ₁	b ₁ h ₇	e ₁	f ₁	i ₁	s ₁	b ₅	b ₇	c ₅	e ₅	f ₅	i	i ₅	m	s ₅
11.700.02	11	23	3	16	M4	4	12.5	86	58	74	5	35	M6x14	90	110	3.5	140	110	33	43	25	10
11.700.03	14	30	4	20	M5	5	16	90	58	74	5	42	M6x10	90	120	14	160	125	44	62	32	10
11.700.04	19	40	5	28	M6	6	21.5	108	70	90	5	54	M8x16	100	150	17	200	134	71	89	40	11
11.700.05	24	50	4	40	M8	8	27	108	70	90	5	64	M8x16	115	205	22	238	140	95	107	45	11
11.700.06	28	60	6	40	M10	8	31	140	100	120	7	77	M10x20	220	255	26	290	252	76	92	55	13.5
11.700.07	28	60	6	40	M10	8	31	140	100	120	7	77	M10x20	220	255	26	290	252	76	92	55	13.5
11.700.18	38	80	10	56	M12	10	41	165	120	145	11	100	M12x24	255	320	30	364	305	86	110	60	17.5
11.700.08	38	80	10	56	M12	10	41	165	120	145	11	100	M12x24	255	320	30	364	305	86	110	60	17.5

Dimensions in [mm] 1) Plus 80 mm for handle



DISCO variable speed drives

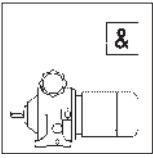
11.700. □ □ .00 Flange design

Gearbox size	Gearboxes							Input shaft							Total length k	
	a ₉	k ₉	o ₉	p ₉ *	p ₁₀	w	x	x ₁	d ₄ k ₆	l ₄	l ₅	l ₆	d ₅	u ₅		t ₅ +0.2
11.700.02	83	94	150	65	14	70	105	43	11	23	3	16	M4	4	12.5	183
11.700.03	86	112	175	83	14	70	105	43	14	30	4	20	M5	5	16	219
11.700.04	103	112	215	98	17	105	152	63	15	30	5	20	M5	5	17	251
11.700.05	123	147	253	122	17	105	152	63	20	40	6	28	M6	6	22.5	312
11.700.06	149	186	305	145	17	105	152	63	25	50	5	40	M10	8	28	383
11.700.07	149	186	305	145	17	105	152	63	25	50	5	40	M10	8	28	383
11.700.18	190	256	379	176	26	160	195 ¹⁾	111	30	60	3	50	M10	8	33	476
11.700.08	190	256	379	176	26	160	195 ¹⁾	111	30	60	3	50	M10	8	33	476

Gearbox size	Solid shaft							Flange						
	d k6	l	l ₁	l ₂	d ₂	u	t +0.2	a ₂	b ₂ j7	c ₂	e ₂	f ₂	i ₂	s ₂
11.700.02	11	23	3	16	M4	4	12.5	120	80	12	100	3	23	7
								140	95	10	115	3		
								160	110	10	130	3.5		
11.700.03	14	30	4	20	M5	5	16	140	95	10	115	3	30	9
								160	110	10	130	3.5		
								200	130	12	165	3.5		
11.700.04	19	40	5	28	M6	6	21.5	160	110	12	130	3.5	40	9
								200	130	12	165	3.5		
								250	180	14	215	4		
11.700.05	24	50	4	40	M8	8	27	160	110	12	130	3.5	50	9
								200	130	12	165	3.5		
								250	180	14	215	4		
11.700.06	28	60	6	40	M10	8	31	200	130	14	165	3.5	60	11
								250	180	15	215	4		
								300	230	17	265	4		
11.700.07	28	60	6	40	M10	8	31	200	130	14	165	3.5	60	11
								250	180	15	215	4		
								300	230	17	265	4		
11.700.18	38	80	10	56	M12	10	41	250	180	16	215	4	80	14
								300	230	18	265	4		
								350	250	20	300	5		
11.700.08	38	80	10	56	M12	10	41	250	180	16	215	4	80	14
								300	230	18	265	4		
								350	250	20	300	5		

Dimensions in [mm] 1) Plus 80 mm for handle

11.700.02: Mounting to machine wall: Provide stud bolts



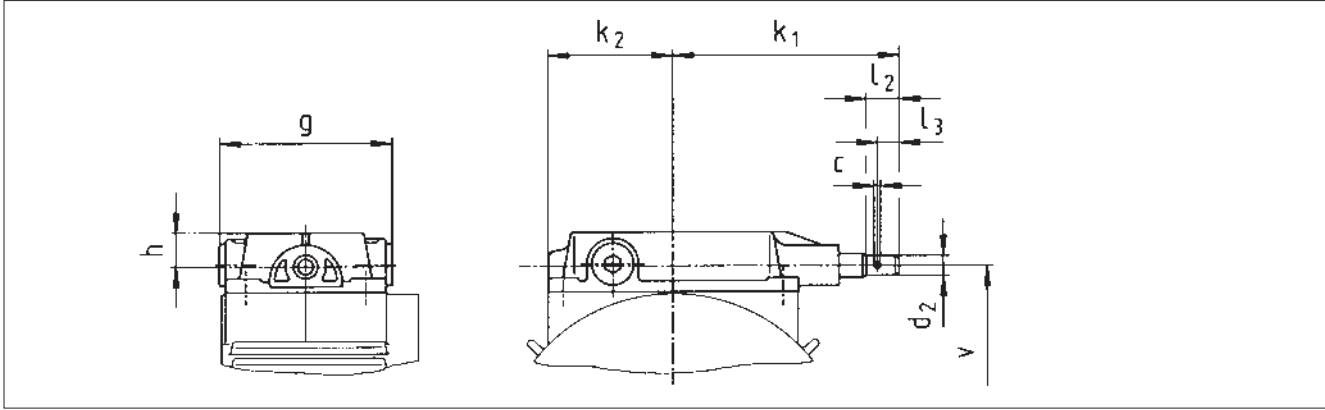
DISCO variable speed drives

Additional dimensions – attachments

Speed adjustment units

Spindle box

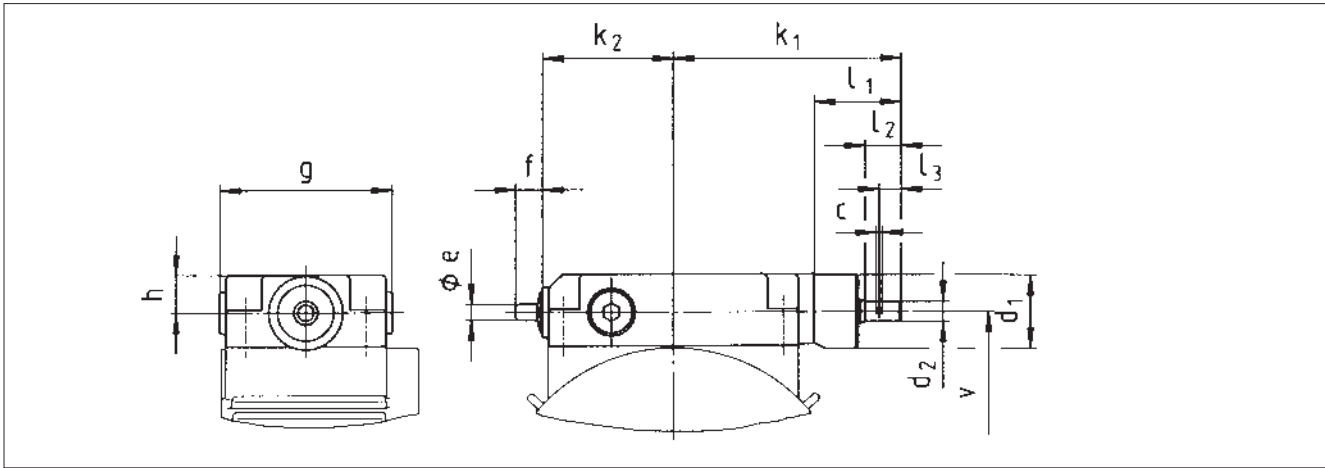
Standard design for handwheel adjustment



DISCO-size	c + 0.1	d ₂ h9	g	h	k ₁	k ₂	l ₂	l ₃	v
02	3.2	8	64	14	74	43	12.5	7	83
03	3.2	8	64	14	74	43	12.5	7	86
04	3.2	10	86	17	114	63	16.5	11	103
05	3.2	10	86	17	114	63	16.5	11	123
06/07	3.2	10	86	17	114	63	16.5	11	149

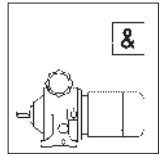
Options

Universal design suitable for handwheel adjustment, bevel gear adjustment and electrical remote control



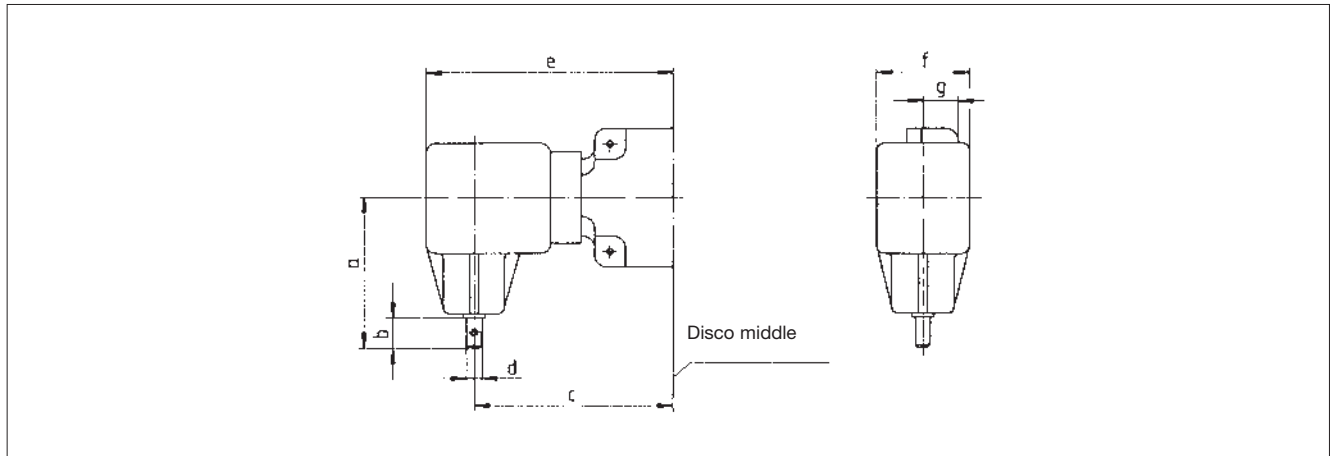
DISCO-size	c + 0.1	d ₁ h9	d ₂ j7	e	f	g	h	k ₁	k ₂	l ₁	l ₂	l ₃	v
02	3.0	30	8	8	13	64	16	84	46	31	14	7	86
03	3.0	30	8	8	13	64	16	84	46	31	14	7	89
04	3.0	37	10	8	13	86	19	114	66	42	18	11	107
05	3.0	37	10	8	13	86	19	114	66	42	18	11	125
06/07	3.0	37	10	8	13	86	19	114	66	42	18	11	153
18/08*	4.0	52	15	8	13	106	26	161	98	55	21	14	190

* With size 18/08 standard design
Dimensions in [mm]



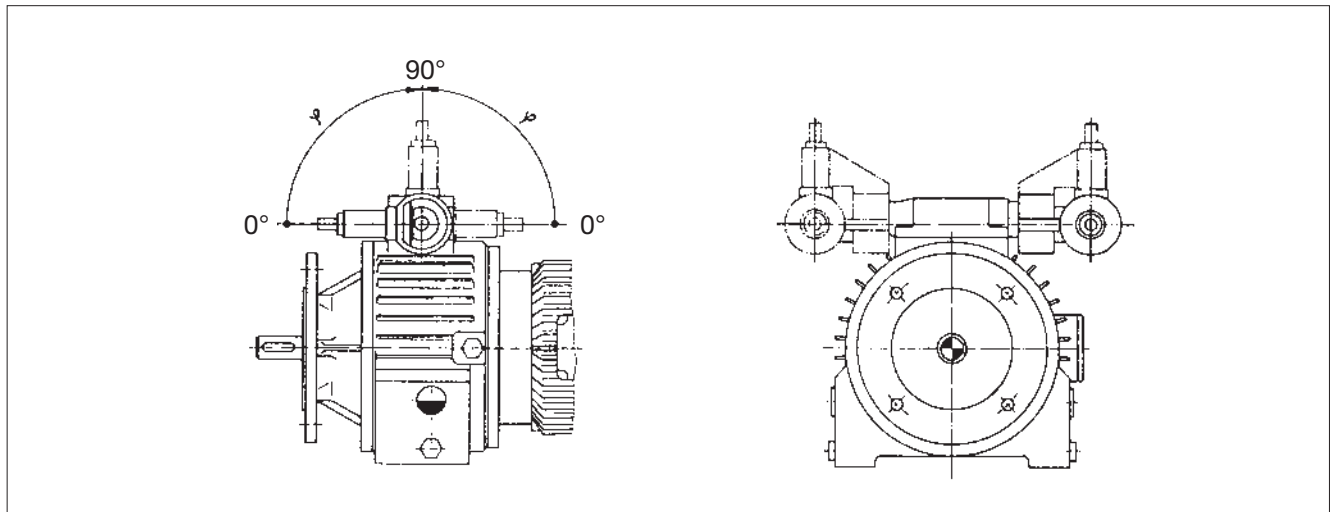
Speed adjustment units

Bevel gear adjustment (optionally)



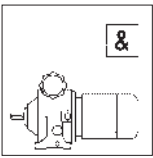
DISCO-size	a	b	c	d h8	e	f	g
02/03	75	22	94	8	116	46	16
04/05/06/07	93	18	127	10	157	56	19
18/08	107	21	173	15	203	73	26

Dimensions in [mm]



DISCO-size	Swivel range φ	
	Handwheel	Handwheel with position indicator 0° $\hat{=}$ horizontal layout
02/03/04	90°	0 – 45°
05/06/07	90°	0 – 45°
18/08	20 – 90°	20 – 45°

Dimensions in [mm]



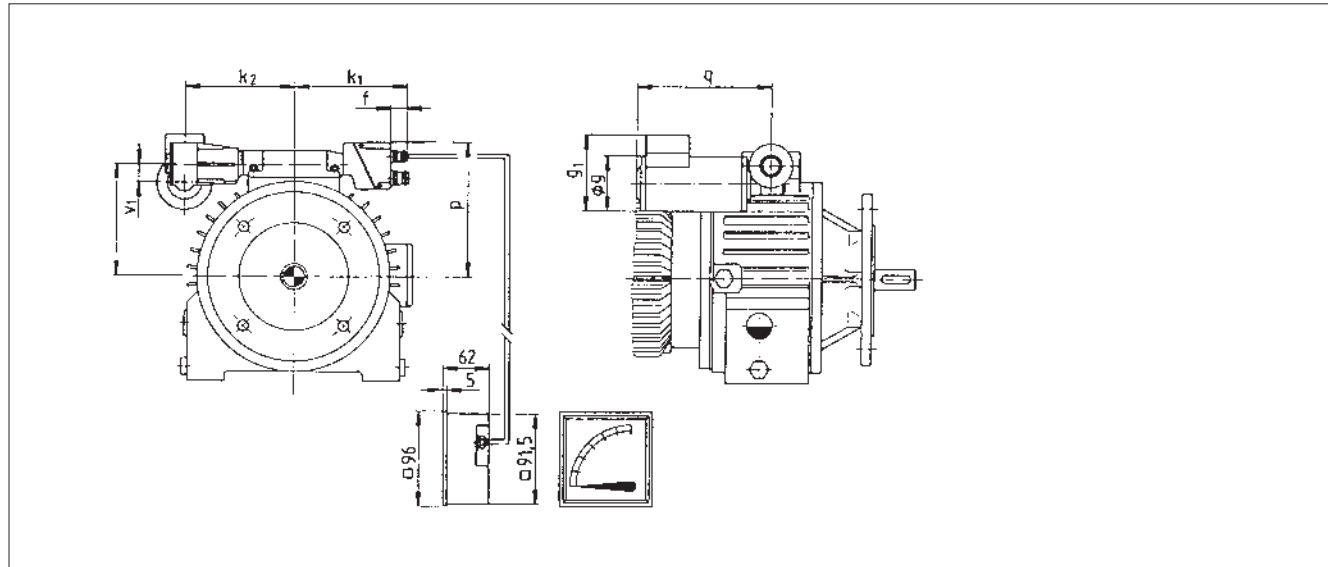
DISCO variable speed drives

Additional dimensions – attachments

Speed adjustment units

Electrical remote control (optionally)

Position Spindle box	Position adjustment unit			
	2	3	4	5
	Permissible terminal box position for main motor			
2		2-4-5	2-3-4	
3			2-3-4	
4				2-3-4
5	3-4-5			

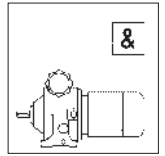


DISCO-size	f	g	g ₁	k ₁	k ₂	p	q	v	v ₁
02	19	65	123	137	119	118	170	86	25
03						121		89	
04	19	85	144	152	153	139	199	107	31
05						159		127	
06	19	85	144	152	153	185	199	153	31
07									
18/08	19	118	164	190	243 ¹⁾	222	221	190	40

¹⁾ With slip clutch
Dimensions in [mm]

DISCO variable speed drives

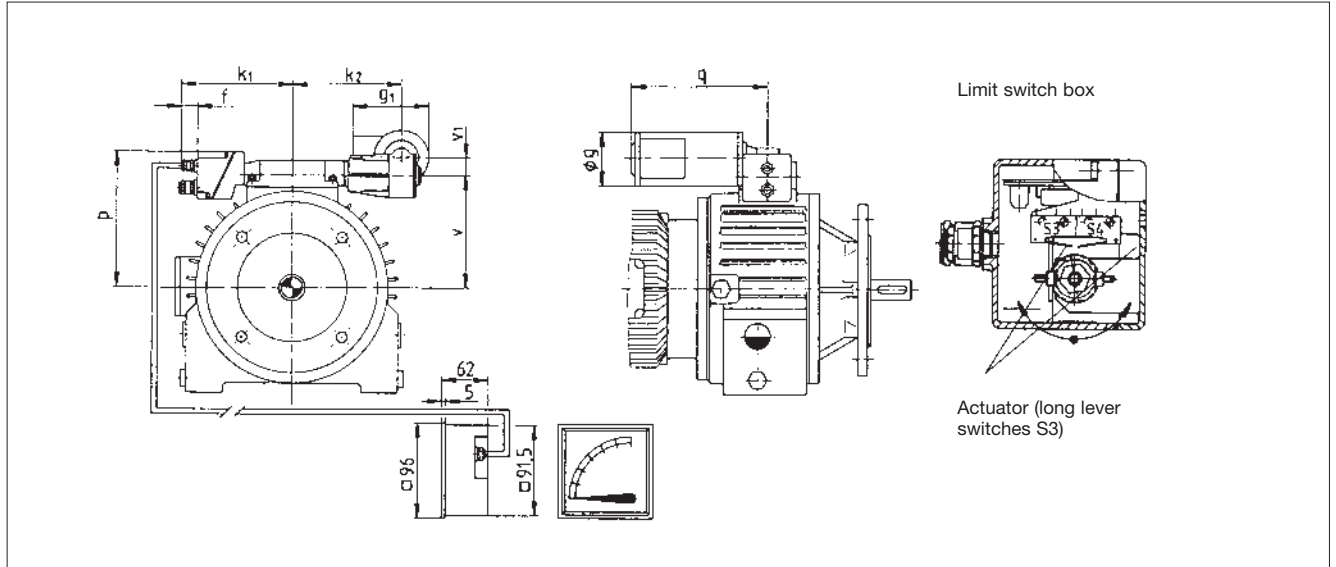
Additional dimensions – attachments



Speed adjustment units

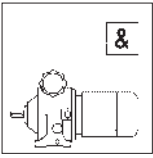
Electrical remote control (optionally)

Position Spindle box	Position adjustment unit			
	2	3	4	5
	Permissible terminal box position for main motors			
2				3-4-5
3	2-4-5			
4		2-3-5		
5			2-3-4	



DISCO-size	f	g	g ₁	k ₁	k ₂	p	q	v	v ₁
02	19	65	123	137	119	118	170	86	25
03						121		89	
04	19	85	144	152	153	139	199	107	31
05						159		127	
06	19	85	144	152	153	185	199	153	31
07									
18/08	19	118	164	190	243 ¹⁾	222	221	190	40

¹⁾ With slip clutch
Dimensions in [mm]

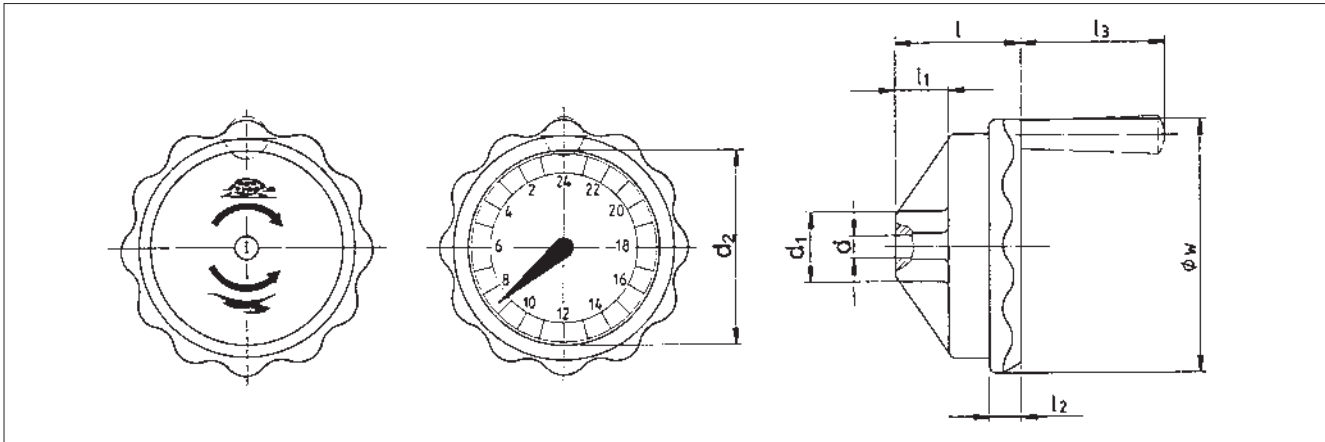


DISCO variable speed drives

Additional dimensions – attachments

Speed measuring units

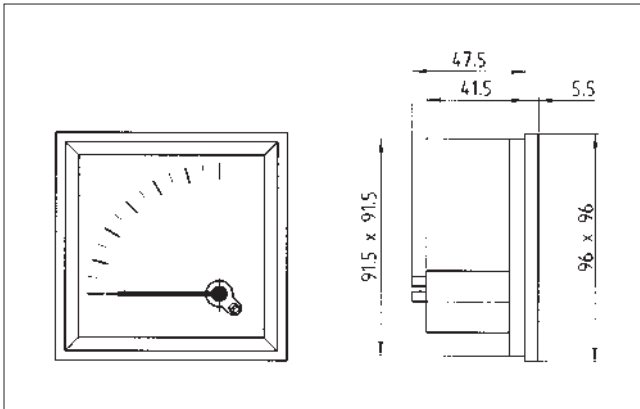
Position indicator*/Indicator for direction of rotation



DISCO-size	d H ₉	d ₁	d ₂	l	l ₁	l ₂	l ₃	w
02/03	8	20	52	43	15	10	–	70
04/05 06/07	10	30	85	55	23	14	–	105
18/08	15	25	85	55	23	15	80	160

** Display only with horizontal layout $\pm 45^\circ$

Analog display



Dimensions in [mm]



Compact units

With helical gearboxes

Selection tables	5-2
Combinations	5-14
Dimensions	
GST □□ - 1	5-18
GST □□ - 2	5-24
GST □□ - 3	5-30
Test dimensions	5-36
Additional dimensions GST	
Output design VAR	5-39
Output design VAL	5-39

With helical-bevel gearboxes

Selection tables	5-40
Combinations	5-55
Dimensions	
GKS □□ - 3	5-56
GKS □□ - 4	5-64
Test dimensions	5-72
Additional dimensions GKS	
Torque plate at housing foot	5-74
Torque plate at pitch circle	5-75
Hollow shaft with shrink disc	5-76
Hollow shaft protection - jet-proof	5-77
with 2nd output shaft end	5-78
Mounting kit - hollow shaft retention	5-79
Design proposal for auxiliary tools	5-79

With helical-worm gearboxes

Selection tables	5-80
Combinations	5-89
Dimensions	
GSS □□ - 2	5-90
GSS □□ - 3	5-98
Test dimensions	5-106
Additional dimensions GSS	
Torque plate at housing foot	5-108
Torque plate at pitch circle	5-109
Hollow shaft with shrink disc	5-110
Hollow shaft protection - jet-proof	5-111
with 2nd output shaft end	5-112
Mounting kit - hollow shaft retention	5-113
Design proposal for auxiliary tools	5-113

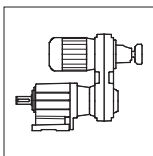
Additional dimensions – attachments

Speed adjustment units

Front adjustment	5-114
Angle adjustment	5-114
Electrical remote adjustment	5-115
Permissible positions	5-116

Speed measuring units

DC speed encoder	5-117
Pulse encoder	5-117
Position indicator	5-118
Indicator for direction of rotation	5-118
Analog display	5-118
Digital display	5-118

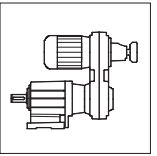


Compact units

Selection tables with helical gearboxes

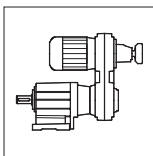
P ₁	50 Hz		i	Compact unit	Dim. Page
	n ₂ [min ⁻¹]	M ₂ [Nm]			
0.25 kW				GST □□ - 1K	5-18
	2105 - 380	0.8 - 5.0	1.600	GST04 - 1K □□□ 071-12 10B	
	1645 - 297	1.1 - 6.4	2.048	GST04 - 1K □□□ 071-12 10B	
	1504 - 272	1.2 - 7.0	2.240	GST04 - 1K □□□ 071-12 10B	
	1179 - 213	1.5 - 8.9	2.857	GST04 - 1K □□□ 071-12 10B	
	962 - 174	1.9 - 11	3.500	GST04 - 1K □□□ 071-12 10B	
	765 - 138	2.3 - 14	4.400	GST04 - 1K □□□ 071-12 10B	
	594 - 107	3.0 - 18	5.667	GST04 - 1K □□□ 071-12 10B	
	469 - 85	3.8 - 22	7.182	GST04 - 1K □□□ 071-12 10B	
	374 - 68	4.8 - 23	9.000	GST04 - 1K □□□ 071-12 10B	
				GST □□ - 2K	5-24
	342 - 62	5.1 - 30	9.856	GST04 - 2K □□□ 071-12 10B	
	268 - 48	6.6 - 39	12.571	GST04 - 2K □□□ 071-12 10B	
	219 - 40	8.0 - 47	15.400	GST04 - 2K □□□ 071-12 10B	
	174 - 31	10 - 59	19.360	GST04 - 2K □□□ 071-12 10B	
	135 - 24	13 - 71	24.933	GST04 - 2K □□□ 071-12 10B	
	107 - 19	16 - 72	31.600	GST04 - 2K □□□ 071-12 10B	
	85 - 15	21 - 73	39.600	GST04 - 2K □□□ 071-12 10B	
	67 - 12	26 - 136	50.050	GST05 - 2K □□□ 071-12 10B	
				GST □□ - 3K	5-30
	53 - 9.6	33 - 146	63.467	GST05 - 3K □□□ 071-12 10B	
	42 - 7.5	42 - 147	80.952	GST05 - 3K □□□ 071-12 10B	
	34 - 6.1	51 - 148	99.167	GST05 - 3K □□□ 071-12 10B	
	27 - 4.9	64 - 149	124.667	GST05 - 3K □□□ 071-12 10B	
	21 - 3.8	82 - 150	160.556	GST05 - 3K □□□ 071-12 10B	
	17 - 3.0	104 - 346	203.485	GST06 - 3K □□□ 071-12 10B	
	13 - 2.4	116 - 152	255.000	GST05 - 3K □□□ 071-12 10B	
	10 - 1.8	169 - 352	330.000	GST06 - 3K □□□ 071-12 10B	
	8.1 - 1.5	214 - 710	417.083	GST07 - 3K □□□ 071-12 10B	
	0.37 kW				GST □□ - 1K
2090 - 378		1.3 - 5.0	1.600	GST04 - 1K □□□ 071-32 10B	
1633 - 295		1.6 - 6.4	2.048	GST04 - 1K □□□ 071-32 10B	
1493 - 270		1.8 - 7.0	2.240	GST04 - 1K □□□ 071-32 10B	
1170 - 212		2.3 - 9.0	2.857	GST04 - 1K □□□ 071-32 10B	
955 - 173		2.8 - 11	3.500	GST04 - 1K □□□ 071-32 10B	
760 - 137		3.5 - 14	4.400	GST04 - 1K □□□ 071-32 10B	
590 - 107		4.5 - 18	5.667	GST04 - 1K □□□ 071-32 10B	
466 - 84		5.7 - 23	7.182	GST04 - 1K □□□ 071-32 10B	
372 - 67		7.1 - 23	9.000	GST04 - 1K □□□ 071-32 10B	
			GST □□ - 2K	5-24	
339 - 61		7.7 - 30	9.856	GST04 - 2K □□□ 071-32 10B	
266 - 48		9.8 - 39	12.571	GST04 - 2K □□□ 071-32 10B	
217 - 39		12 - 48	15.400	GST04 - 2K □□□ 071-32 10B	

Thermal limit not considered (see note on page 3-12)



P ₁	50 Hz		i	Compact unit	Dim. Page	
	n ₂ [min ⁻¹]	M ₂ [Nm]				
0.37 kW				GST □□ - 2K	5-24	
	173 - 31	15 - 60	19.360	GST04 - 2K □□□ 071-32 10B		
	134 - 24	19 - 71	24.933	GST04 - 2K □□□ 071-32 10B		
	106 - 19	25 - 72	31.600	GST04 - 2K □□□ 071-32 10B		
	84 - 15	31 - 73	39.600	GST04 - 2K □□□ 071-32 10B		
	67 - 12	39 - 136	50.050	GST05 - 2K □□□ 071-32 10B		
				GST □□ - 3K	5-30	
	53 - 9.5	49 - 146	63.467	GST05 - 3K □□□ 071-32 10B		
	41 - 7.5	62 - 147	80.952	GST05 - 3K □□□ 071-32 10B		
	34 - 6.1	76 - 148	99.167	GST05 - 3K □□□ 071-32 10B		
	27 - 4.8	95 - 149	124.667	GST05 - 3K □□□ 071-32 10B		
	21 - 3.8	115 - 150	160.556	GST05 - 3K □□□ 071-32 10B		
	16 - 3.0	156 - 346	203.485	GST06 - 3K □□□ 071-32 10B		
	13 - 2.4	195 - 349	255.000	GST06 - 3K □□□ 071-32 10B		
	10 - 1.8	253 - 352	330.000	GST06 - 3K □□□ 071-32 10B		
	8.0 - 1.4	319 - 710	417.083	GST07 - 3K □□□ 071-32 10B		
	0.55 kW				GST □□ - 1K	5-18
		2053 - 388	1.9 - 11	1.600	GST04 - 1K □□□ 080-12 13C	
		1604 - 303	2.4 - 14	2.048	GST04 - 1K □□□ 080-12 13C	
		1467 - 277	2.7 - 15	2.240	GST04 - 1K □□□ 080-12 13C	
1150 - 217		3.4 - 19	2.857	GST04 - 1K □□□ 080-12 13C		
939 - 177		4.2 - 24	3.500	GST04 - 1K □□□ 080-12 13C		
747 - 141		5.3 - 25	4.400	GST04 - 1K □□□ 080-12 13C		
580 - 109		6.8 - 25	5.667	GST04 - 1K □□□ 080-12 13C		
448 - 85		8.8 - 46	7.333	GST05 - 1K □□□ 080-12 13C		
369 - 70		11 - 42	8.900	GST05 - 1K □□□ 080-12 13C		
				GST □□ - 2K	5-24	
333 - 63		12 - 65	9.856	GST04 - 2K □□□ 080-12 13C		
261 - 49		15 - 69	12.571	GST04 - 2K □□□ 080-12 13C		
213 - 40		18 - 70	15.400	GST04 - 2K □□□ 080-12 13C		
170 - 32		23 - 70	19.360	GST04 - 2K □□□ 080-12 13C		
132 - 25		29 - 71	24.933	GST04 - 2K □□□ 080-12 13C		
102 - 19		38 - 164	32.267	GST05 - 2K □□□ 080-12 13C		
84 - 16		46 - 165	39.160	GST05 - 2K □□□ 080-12 13C		
74 - 14		52 - 149	44.500	GST05 - 2K □□□ 080-12 13C		
				GST □□ - 3K	5-30	
64 - 12		59 - 325	51.022	GST06 - 3K □□□ 080-12 13C		
52 - 9.8		74 - 146	63.467	GST05 - 3K □□□ 080-12 13C		
41 - 7.7		94 - 147	80.952	GST05 - 3K □□□ 080-12 13C		
33 - 6.3		114 - 148	99.167	GST05 - 3K □□□ 080-12 13C		
26 - 5.0		145 - 339	124.667	GST06 - 3K □□□ 080-12 13C		
20 - 3.9		186 - 342	160.556	GST06 - 3K □□□ 080-12 13C		

Thermal limit not considered (see note on page 3-12)

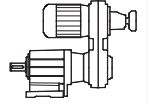


Compact units

Selection tables with helical gearboxes

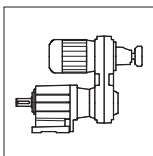
P ₁	50 Hz		i	Compact unit	Dim. Page	
	n ₂ [min ⁻¹]	M ₂ [Nm]				
0.55 kW				GST □□ - 3K	5-30	
	16 - 3.0	237 - 710	204.722	GST07 - 3K □□□ 080-12 13C		
	13 - 2.5	288 - 710	248.458	GST07 - 3K □□□ 080-12 13C		
	10 - 1.9	378 - 710	326.333	GST07 - 3K □□□ 080-12 13C		
	8.0 - 1.5	478 - 1623	412.500	GST09 - 3K □□□ 080-12 13C		
0.75 kW	2024 - 382	2.6 - 12	1.600	GST □□ - 1K GST04 - 1K □□□ 080-32 13C	5-18	
	1581 - 298	3.4 - 16	2.048	GST04 - 1K □□□ 080-32 13C		
	1446 - 273	3.7 - 17	2.240	GST04 - 1K □□□ 080-32 13C		
	1133 - 214	4.7 - 22	2.857	GST04 - 1K □□□ 080-32 13C		
	925 - 175	5.8 - 25	3.500	GST04 - 1K □□□ 080-32 13C		
	736 - 139	7.3 - 25	4.400	GST04 - 1K □□□ 080-32 13C		
	571 - 108	9.4 - 25	5.667	GST04 - 1K □□□ 080-32 13C		
	442 - 83	12 - 46	7.333	GST05 - 1K □□□ 080-32 13C		
	364 - 69	15 - 42	8.900	GST05 - 1K □□□ 080-32 13C		
				GST □□ - 2K		5-24
	329 - 62	16 - 65	9.856	GST04 - 2K □□□ 080-32 13C		
	258 - 49	20 - 69	12.571	GST04 - 2K □□□ 080-32 13C		
	210 - 40	25 - 70	15.400	GST04 - 2K □□□ 080-32 13C		
	167 - 32	32 - 70	19.360	GST04 - 2K □□□ 080-32 13C		
	130 - 25	41 - 71	24.933	GST04 - 2K □□□ 080-32 13C		
	100 - 19	53 - 164	32.267	GST05 - 2K □□□ 080-32 13C		
	83 - 16	64 - 165	39.160	GST05 - 2K □□□ 080-32 13C		
				GST □□ - 3K	5-30	
	63 - 12	82 - 325	51.022	GST06 - 3K □□□ 080-32 13C		
	51 - 9.6	102 - 146	63.467	GST05 - 3K □□□ 080-32 13C		
	40 - 7.5	114 - 147	80.952	GST05 - 3K □□□ 080-32 13C		
	33 - 6.2	159 - 335	99.167	GST06 - 3K □□□ 080-32 13C		
	26 - 4.9	200 - 339	124.667	GST06 - 3K □□□ 080-32 13C		
	20 - 3.8	258 - 342	160.556	GST06 - 3K □□□ 080-32 13C		
	16 - 3.0	328 - 710	204.722	GST07 - 3K □□□ 080-32 13C		
	13 - 2.5	399 - 710	248.458	GST07 - 3K □□□ 080-32 13C		
	9.9 - 1.9	523 - 710	326.333	GST07 - 3K □□□ 080-32 13C		
	7.9 - 1.5	662 - 1623	412.500	GST09 - 3K □□□ 080-32 13C		
	1.1 kW					GST □□ - 1K
		2068 - 390	3.8 - 12	1.600	GST04 - 1K □□□ 090-12 13C	
		1616 - 305	4.9 - 16	2.048	GST04 - 1K □□□ 090-12 13C	
		1477 - 279	5.3 - 17	2.240	GST04 - 1K □□□ 090-12 13C	
		1158 - 219	6.8 - 22	2.857	GST04 - 1K □□□ 090-12 13C	
945 - 178		8.3 - 25	3.500	GST04 - 1K □□□ 090-12 13C		
752 - 142		10 - 25	4.400	GST04 - 1K □□□ 090-12 13C		
584 - 110		13 - 25	5.667	GST04 - 1K □□□ 090-12 13C		

Thermal limit not considered (see note on page 3-12)



P ₁	50 Hz		i	Compact unit	Dim. Page		
	n ₂ [min ⁻¹]	M ₂ [Nm]					
1.1 kW	451 - 85 372 - 70	17 - 46 21 - 42	7.333	GST □□ - 1K GST05 - 1K □□□ 090-12 13C	5-18		
			8.900	GST05 - 1K □□□ 090-12 13C			
	336 - 63 263 - 50 215 - 41 171 - 32 133 - 25 103 - 19 84 - 16 67 - 13	23 - 65 29 - 69 36 - 70 45 - 70 55 - 71 75 - 164 92 - 165 116 - 251	9.856 12.571 15.400 19.360 24.933 32.267 39.160 49.500		GST □□ - 2K GST04 - 2K □□□ 090-12 13C	5-24	
					GST04 - 2K □□□ 090-12 13C		
					GST04 - 2K □□□ 090-12 13C		
					GST04 - 2K □□□ 090-12 13C		
					GST04 - 2K □□□ 090-12 13C		
					GST05 - 2K □□□ 090-12 13C		
					GST05 - 2K □□□ 090-12 13C		
					GST06 - 2K □□□ 090-12 13C		
					GST □□ - 3K GST06 - 3K □□□ 090-12 13C		5-30
					GST06 - 3K □□□ 090-12 13C		
		GST06 - 3K □□□ 090-12 13C					
		GST06 - 3K □□□ 090-12 13C					
		GST07 - 3K □□□ 090-12 13D					
		GST07 - 3K □□□ 090-12 13C					
		GST07 - 3K □□□ 090-12 13C					
		GST09 - 3K □□□ 090-12 13C					
		GST09 - 3K □□□ 090-12 13C					
		950 - 1623	412.500				
1.5 kW	2082 - 393 1627 - 307 1487 - 281 1166 - 220 952 - 180 757 - 143 588 - 111 454 - 86 374 - 71	5.1 - 12 6.6 - 16 7.2 - 17 9.2 - 22 11 - 25 14 - 25 18 - 25 24 - 46 29 - 42	1.600	GST □□ - 1K GST04 - 1K □□□ 090-32 13C	5-18		
			2.048	GST04 - 1K □□□ 090-32 13C			
			2.240	GST04 - 1K □□□ 090-32 13C			
			2.857	GST04 - 1K □□□ 090-32 13C			
			3.500	GST04 - 1K □□□ 090-32 13C			
			4.400	GST04 - 1K □□□ 090-32 13C			
			5.667	GST04 - 1K □□□ 090-32 13C			
			7.333	GST05 - 1K □□□ 090-32 13C			
			8.900	GST05 - 1K □□□ 090-32 13C			
				GST □□ - 2K GST04 - 2K □□□ 090-32 13C		5-24	
		GST04 - 2K □□□ 090-32 13C					
		GST04 - 2K □□□ 090-32 13C					
		GST04 - 2K □□□ 090-32 13C					
		GST04 - 2K □□□ 090-32 13C					
		GST05 - 2K □□□ 090-32 13C					
		GST05 - 2K □□□ 090-32 13C					
		GST05 - 2K □□□ 090-32 13C					
		GST06 - 2K □□□ 090-32 13C					
		157 - 251	49.500				

Thermal limit not considered (see note on page 3-12)

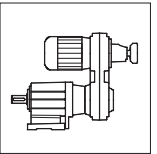


Compact units

Selection tables with helical gearboxes

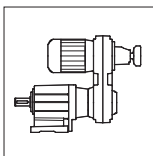
P ₁	50 Hz		i	Compact unit	Dim. Page	
	n ₂ [min ⁻¹]	M ₂ [Nm]				
1.5 kW				GST □□ - 3K	5-30	
	49 - 9.3	211 - 365	67.760	GST06 - 3K □□□ 090-32 13C		
	41 - 7.8	252 - 332	80.952	GST06 - 3K □□□ 090-32 13C		
	34 - 6.3	257 - 335	99.167	GST06 - 3K □□□ 090-32 13C		
	26 - 4.9	396 - 710	127.176	GST07 - 3K □□□ 090-32 13C		
	21 - 4.0	493 - 710	158.194	GST07 - 3K □□□ 090-32 13C		
	16 - 3.1	544 - 710	204.722	GST07 - 3K □□□ 090-32 13C		
	12 - 2.3	838 - 1623	268.889	GST09 - 3K □□□ 090-32 13C		
	10 - 1.9	1017 - 1623	326.333	GST09 - 3K □□□ 090-32 13C		
8.1 - 1.5	1244 - 1623	412.500	GST09 - 3K □□□ 090-32 13C			
2.2 kW	2197 -360	7.6 - 29	1.600	GST □□ - 1K GST05 - 1K □□□ 100-12 16D	5-18	
	1717 -281	9.8 - 37	2.048	GST05 - 1K □□□ 100-12 16D		
	1569 -257	11 - 40	2.240	GST05 - 1K □□□ 100-12 16D		
	1230 -202	14 - 51	2.857	GST05 - 1K □□□ 100-12 16D		
	1004 -165	17 - 54	3.500	GST05 - 1K □□□ 100-12 16D		
	772 -126	22 - 54	4.556	GST05 - 1K □□□ 100-12 16D		
	620 -102	27 - 54	5.667	GST05 - 1K □□□ 100-12 16D		
	479 - 79	35 - 88	7.333	GST06 - 1K □□□ 100-12 16D		
	395 - 65	43 - 85	8.900	GST06 - 1K □□□ 100-12 16D		
				GST □□ - 2K		5-24
	351 - 58	47 - 124	10.000	GST05 - 2K □□□ 100-12 16D		
	270 - 44	61 - 137	13.016	GST05 - 2K □□□ 100-12 16D		
	217 - 36	76 - 148	16.191	GST05 - 2K □□□ 100-12 16D		
	175 - 29	94 - 159	20.044	GST05 - 2K □□□ 100-12 16D		
	141 - 23	117 - 162	24.933	GST05 - 2K □□□ 100-12 16D		
	109 - 18	152 - 363	32.267	GST06 - 2K □□□ 100-12 16D		
	90 - 15	184 - 368	39.160	GST06 - 2K □□□ 100-12 16D		
	71 - 12	233 - 476	49.500	GST07 - 2K □□□ 100-12 16D		
				GST □□ - 3K	5-30	
	54 - 8.8	302 - 707	65.079	GST07 - 3K □□□ 100-12 16D		
	44 - 7.2	370 - 710	79.762	GST07 - 3K □□□ 100-12 16D		
	36 - 5.9	453 - 710	97.708	GST07 - 3K □□□ 100-12 16D		
	28 - 4.5	535 - 710	127.176	GST07 - 3K □□□ 100-12 16D		
	22 - 3.6	744 - 1623	160.556	GST09 - 3K □□□ 100-12 16D		
	17 - 2.8	963 - 1623	207.778	GST09 - 3K □□□ 100-12 16D		
	13 - 2.1	1222 - 1623	268.889	GST09 - 3K □□□ 100-12 16D		
	11 - 1.8	1222 - 1623	326.333	GST09 - 3K □□□ 100-12 16D		
	8.5 - 1.4	1912 - 2848	412.500	GST11 - 3K □□□ 100-12 16D		
	3 kW				GST □□ - 1K	5-18
		2197 -360	10 - 29	1.600	GST05 - 1K □□□ 100-32 16D	
	1717 -281	13 - 37	2.048	GST05 - 1K □□□ 100-32 16D		

Thermal limit not considered (see note on page 3-12)



P ₁	50 Hz		i	Compact unit	Dim. Page	
	n ₂ [min ⁻¹]	M ₂ [Nm]				
3 kW	1569 - 257	15 - 40	2.240	GST □□ - 1K GST05 - 1K □□□ 100-32 16D	5-18	
	1230 - 202	19 - 51	2.857	GST05 - 1K □□□ 100-32 16D		
	1004 - 165	23 - 54	3.500	GST05 - 1K □□□ 100-32 16D		
	772 - 126	30 - 54	4.556	GST05 - 1K □□□ 100-32 16D		
	620 - 102	37 - 54	5.667	GST05 - 1K □□□ 100-32 16D		
	479 - 79	48 - 88	7.333	GST06 - 1K □□□ 100-32 16D		
	395 - 65	58 - 85	8.900	GST06 - 1K □□□ 100-32 16D		
				GST □□ - 2K	5-24	
	351 - 58	64 - 124	10.000	GST05 - 2K □□□ 100-32 16D		
	270 - 44	84 - 137	13.016	GST05 - 2K □□□ 100-32 16D		
	217 - 36	104 - 148	16.191	GST05 - 2K □□□ 100-32 16D		
	175 - 29	120 - 159	20.044	GST05 - 2K □□□ 100-32 16D		
	141 - 23	160 - 360	24.933	GST06 - 2K □□□ 100-32 16D		
	109 - 18	207 - 363	32.267	GST06 - 2K □□□ 100-32 16D		
	90 - 15	251 - 368	39.160	GST06 - 2K □□□ 100-32 16D		
	71 - 12	318 - 476	49.500	GST07 - 2K □□□ 100-32 16D		
				GST □□ - 3K	5-30	
	54 - 8.8	411 - 707	65.079	GST07 - 3K □□□ 100-32 16D		
	44 - 7.2	504 - 710	79.762	GST07 - 3K □□□ 100-32 16D		
	36 - 5.9	535 - 710	97.708	GST07 - 3K □□□ 100-32 16D		
	27 - 4.5	816 - 1612	129.074	GST09 - 3K □□□ 100-32 16D		
	22 - 3.6	1015 - 1623	160.556	GST09 - 3K □□□ 100-32 16D		
	17 - 2.8	1222 - 1623	207.778	GST09 - 3K □□□ 100-32 16D		
	14 - 2.3	1594 - 2810	252.167	GST11 - 3K □□□ 100-32 16D		
	11 - 1.8	2063 - 2848	326.333	GST11 - 3K □□□ 100-32 16D		
	8.5 - 1.4	2144 - 2848	412.500	GST11 - 3K □□□ 100-32 16D		
	4 kW	2329 - 358	13 - 45	1.600		GST □□ - 1K GST06 - 1K □□□ 112-22 20E
		1820 - 280	17 - 58	2.048	GST06 - 1K □□□ 112-22 20E	
1664 - 256		18 - 63	2.240	GST06 - 1K □□□ 112-22 20E		
1304 - 201		23 - 81	2.857	GST06 - 1K □□□ 112-22 20E		
1065 - 164		29 - 99	3.500	GST06 - 1K □□□ 112-22 20E		
818 - 126		37 - 105	4.556	GST06 - 1K □□□ 112-22 20E		
658 - 101		46 - 105	5.667	GST06 - 1K □□□ 112-22 20E		
508 - 78		60 - 170	7.333	GST07 - 1K □□□ 112-22 20E		
419 - 64		73 - 173	8.900	GST07 - 1K □□□ 112-22 20E		
				GST □□ - 2K	5-24	
373 - 57		81 - 269	10.000	GST06 - 2K □□□ 112-22 20E		
296 - 46		101 - 295	12.571	GST06 - 2K □□□ 112-22 20E		
242 - 37		124 - 318	15.400	GST06 - 2K □□□ 112-22 20E		
186 - 29		161 - 350	20.044	GST06 - 2K □□□ 112-22 20E		
149 - 23		201 - 360	24.933	GST06 - 2K □□□ 112-22 20E		

Thermal limit not considered (see note on page 3-12)

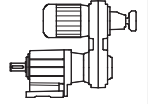


Compact units

Selection tables with helical gearboxes

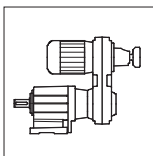
P ₁	50 Hz		i	Compact unit	Dim. Page
	n ₂ [min ⁻¹]	M ₂ [Nm]			
4 kW				GST □□ - 2K	5-24
	116 - 18	260 - 706	32.267	GST07 - 2K □□□ 112-22 20E	
	95 - 15	315 - 706	39.160	GST07 - 2K □□□ 112-22 20E	
	75 - 12	399 - 948	49.500	GST09 - 2K □□□ 112-22 20E	5-30
				GST □□ - 3K	
	62 - 9.5	478 - 1565	60.278	GST09 - 3K □□□ 112-22 20E	
	46 - 7.0	648 - 1584	81.667	GST09 - 3K □□□ 112-22 20E	
	38 - 5.8	786 - 1596	99.167	GST09 - 3K □□□ 112-22 20E	
	29 - 4.4	1024 - 1612	129.074	GST09 - 3K □□□ 112-22 20E	
	23 - 3.6	1198 - 1623	160.556	GST09 - 3K □□□ 112-22 20E	
	18 - 2.8	1648 - 2810	207.778	GST11 - 3K □□□ 112-22 20E	
	15 - 2.3	2000 - 2810	252.167	GST11 - 3K □□□ 112-22 20E	
	11 - 1.8	2103 - 2848	326.333	GST11 - 3K □□□ 112-22 20E	
	9.0 - 1.4	3271 - 5920	412.500	GST14 - 3K □□□ 112-22 20E	
	5.5 kW				
2329 - 358		18 - 45	1.600	GST06 - 1K □□□ 112-32 20E	
1820 - 280		23 - 58	2.048	GST06 - 1K □□□ 112-32 20E	
1664 - 256		25 - 63	2.240	GST06 - 1K □□□ 112-32 20E	
1304 - 201		32 - 81	2.857	GST06 - 1K □□□ 112-32 20E	
1065 - 164		39 - 99	3.500	GST06 - 1K □□□ 112-32 20E	
818 - 126		51 - 105	4.556	GST06 - 1K □□□ 112-32 20E	
658 - 101		64 - 105	5.667	GST06 - 1K □□□ 112-32 20E	
508 - 78		82 - 170	7.333	GST07 - 1K □□□ 112-32 20E	
419 - 64		100 - 173	8.900	GST07 - 1K □□□ 112-32 20E	
			GST □□ - 2K	5-24	
373 - 57		111 - 269	10.000		GST06 - 2K □□□ 112-32 20E
296 - 46		139 - 295	12.571		GST06 - 2K □□□ 112-32 20E
242 - 37		170 - 318	15.400		GST06 - 2K □□□ 112-32 20E
186 - 29		222 - 350	20.044		GST06 - 2K □□□ 112-32 20E
149 - 23		266 - 360	24.933		GST06 - 2K □□□ 112-32 20E
116 - 18		357 - 706	32.267		GST07 - 2K □□□ 112-32 20E
95 - 15		434 - 706	39.160		GST07 - 2K □□□ 112-32 20E
75 - 12		548 - 948	49.500		GST09 - 2K □□□ 112-32 20E
			GST □□ - 3K		5-30
62 - 9.5		657 - 1565	60.278	GST09 - 3K □□□ 112-32 20E	
46 - 7.0		891 - 1584	81.667	GST09 - 3K □□□ 112-32 20E	
38 - 5.8		1081 - 1596	99.167	GST09 - 3K □□□ 112-32 20E	
29 - 4.4		1190 - 1612	129.074	GST09 - 3K □□□ 112-32 20E	
24 - 3.6		1725 - 2810	158.194	GST11 - 3K □□□ 112-32 20E	
18 - 2.8		2075 - 2810	207.778	GST11 - 3K □□□ 112-32 20E	
15 - 2.3		2709 - 5810	248.458	GST14 - 3K □□□ 112-32 20E	
11 - 1.8		3559 - 5920	326.333	GST14 - 3K □□□ 112-32 20E	

Thermal limit not considered (see note on page 3-12)



P ₁	50 Hz		i	Compact unit	Dim. Page	
	n ₂ [min ⁻¹]	M ₂ [Nm]				
5.5 kW				GST □□ - 3K	5-30	
	9.0 - 1.4	4371 - 5920	412.500	GST14 - 3K □□□ 112-32 20E		
7.5 kW	2092 - 353	28 - 94	1.625	GST □□ - 1K GST07 - 1K □□□ 132-22 25F	5-18	
	1700 - 287	34 - 116	2.000	GST07 - 1K □□□ 132-22 25F		
	1518 - 256	38 - 129	2.240	GST07 - 1K □□□ 132-22 25F		
	1190 - 201	48 - 159	2.857	GST07 - 1K □□□ 132-22 25F		
	971 - 164	59 - 172	3.500	GST07 - 1K □□□ 132-22 25F		
	746 - 126	77 - 186	4.556	GST07 - 1K □□□ 132-22 25F		
	609 - 103	95 - 196	5.583	GST07 - 1K □□□ 132-22 25F		
	464 - 78	124 - 317	7.333	GST09 - 1K □□□ 132-22 25F		
	382 - 64	151 - 321	8.900	GST09 - 1K □□□ 132-22 25F		
				GST □□ - 2K		5-24
	345 - 58	164 - 549	9.856	GST07 - 2K □□□ 132-22 25F		
	270 - 46	210 - 600	12.571	GST07 - 2K □□□ 132-22 25F		
	221 - 37	257 - 644	15.400	GST07 - 2K □□□ 132-22 25F		
	170 - 29	334 - 694	20.044	GST07 - 2K □□□ 132-22 25F		
	138 - 23	410 - 706	24.567	GST07 - 2K □□□ 132-22 25F		
	105 - 18	538 - 1373	32.267	GST09 - 2K □□□ 132-22 25F		
	87 - 15	653 - 1391	39.160	GST09 - 2K □□□ 132-22 25F		
	69 - 12	825 - 1722	49.500	GST11 - 2K □□□ 132-22 25F		
				GST □□ - 3K	5-30	
	56 - 9.5	990 - 1565	60.278	GST09 - 3K □□□ 132-22 25F		
	42 - 7.0	1206 - 1584	81.667	GST09 - 3K □□□ 132-22 25F		
	34 - 5.8	1628 - 2810	99.167	GST11 - 3K □□□ 132-22 25F		
	26 - 4.4	2120 - 2810	129.074	GST11 - 3K □□□ 132-22 25F		
	21 - 3.6	2139 - 2810	158.194	GST11 - 3K □□□ 132-22 25F		
	17 - 2.8	3362 - 5920	204.722	GST14 - 3K □□□ 132-22 25F		
	14 - 2.3	4080 - 5920	248.458	GST14 - 3K □□□ 132-22 25F		
	10 - 1.8	4507 - 5920	326.333	GST14 - 3K □□□ 132-22 25F		
9.2 kW	2092 - 351	34 - 94	1.625	GST □□ - 1K GST07 - 1K □□□ 132-32 25F	5-18	
	1700 - 285	42 - 116	2.000	GST07 - 1K □□□ 132-32 25F		
	1518 - 254	46 - 129	2.240	GST07 - 1K □□□ 132-32 25F		
	1190 - 200	59 - 159	2.857	GST07 - 1K □□□ 132-32 25F		
	971 - 163	73 - 172	3.500	GST07 - 1K □□□ 132-32 25F		
	746 - 125	95 - 186	4.556	GST07 - 1K □□□ 132-32 25F		
	609 - 102	116 - 196	5.583	GST07 - 1K □□□ 132-32 25F		
	464 - 78	152 - 317	7.333	GST09 - 1K □□□ 132-32 25F		
	382 - 64	185 - 321	8.900	GST09 - 1K □□□ 132-32 25F		
				GST □□ - 2K		5-24
	345 - 58	201 - 549	9.856	GST07 - 2K □□□ 132-32 25F		

Thermal limit not considered (see note on page 3-12)

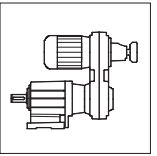


Compact units

Selection tables with helical gearboxes

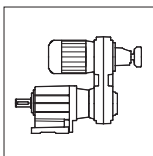
P ₁	50 Hz		i	Compact unit	Dim. Page			
	n ₂ [min ⁻¹]	M ₂ [Nm]						
9.2 kW	270 - 45	257 - 600	12.571	GST □□ - 2K GST07 - 2K □□□ 132-32 25F GST07 - 2K □□□ 132-32 25F GST07 - 2K □□□ 132-32 25F GST07 - 2K □□□ 132-32 25F GST09 - 2K □□□ 132-32 25F GST09 - 2K □□□ 132-32 25F GST11 - 2K □□□ 132-32 25F	5-24			
	221 - 37	315 - 644	15.400					
	170 - 28	410 - 694	20.044					
	138 - 23	502 - 706	24.567					
	105 - 18	660 - 1373	32.267					
	87 - 15	800 - 1391	39.160					
	69 - 12	1012 - 1722	49.500					
						GST □□ - 3K GST09 - 3K □□□ 132-32 25F GST11 - 3K □□□ 132-32 25F GST11 - 3K □□□ 132-32 25F GST11 - 3K □□□ 132-32 25F GST14 - 3K □□□ 132-32 25F GST14 - 3K □□□ 132-32 25F GST14 - 3K □□□ 132-32 25F GST14 - 3K □□□ 132-32 25F	5-30	
	56 - 9.5	1191 - 1565	60.278					
	42 - 7.1	1625 - 2787	80.694					
	34 - 5.7	1996 - 2810	99.167					
	26 - 4.4	2139 - 2810	129.074					
	21 - 3.6	3185 - 5920	158.194					
	17 - 2.8	4122 - 5920	204.722					
	14 - 2.3	4507 - 5920	248.458					
	13 - 2.1	4507 - 5920	268.889					
	11 kW	2092 - 351	40 - 94	1.625	GST □□ - 1K GST07 - 1K □□□ 160-22 25F GST07 - 1K □□□ 160-22 25F GST07 - 1K □□□ 160-22 25F GST07 - 1K □□□ 160-22 25F GST07 - 1K □□□ 160-22 25F GST07 - 1K □□□ 160-22 25F GST07 - 1K □□□ 160-22 25F GST07 - 1K □□□ 160-22 25F GST09 - 1K □□□ 160-22 25F GST09 - 1K □□□ 160-22 25F			5-18
		1700 - 285	50 - 116	2.000				
		1518 - 254	56 - 129	2.240				
		1190 - 200	71 - 159	2.857				
971 - 163		87 - 172	3.500					
746 - 125		113 - 186	4.556					
609 - 102		139 - 196	5.583					
464 - 78		182 - 317	7.333					
382 - 64		221 - 321	8.900					
			GST □□ - 2K GST07 - 2K □□□ 160-22 25F GST07 - 2K □□□ 160-22 25F GST07 - 2K □□□ 160-22 25F GST07 - 2K □□□ 160-22 25F GST07 - 2K □□□ 160-22 25F GST09 - 2K □□□ 160-22 25F GST09 - 2K □□□ 160-22 25F GST11 - 2K □□□ 160-22 25F	5-24				
345 - 58		241 - 549				9.856		
270 - 45		307 - 600				12.571		
221 - 37		376 - 644			15.400			
170 - 28		490 - 694			20.044			
138 - 23		537 - 706			24.567			
105 - 18		789 - 1373			32.267			
87 - 15		957 - 1391			39.160			
69 - 12		1210 - 1722			49.500			
					GST □□ - 3K GST09 - 3K □□□ 160-22 25F GST11 - 3K □□□ 160-22 25F GST11 - 3K □□□ 160-22 25F GST14 - 3K □□□ 160-22 25F GST14 - 3K □□□ 160-22 25F GST14 - 3K □□□ 160-22 25F	5-30		
56 - 9.5		1191 - 1565					60.278	
42 - 7.1		1942 - 2787					80.694	
34 - 5.7		2139 - 2810					99.167	
26 - 4.4		3136 - 5920					130.278	
21 - 3.6		3808 - 5920	158.194					
17 - 2.8		4507 - 5920	204.722					

Thermal limit not considered (see note on page 3-12)



P ₁	50 Hz		i	Compact unit	Dim. Page	
	n ₂ [min ⁻¹]	M ₂ [Nm]				
15 kW				GST □□ - 1K	5-18	
	2179 - 362	53 - 183	1.560	GST09 - 1K □□□ 160-32 31G		
	1660 - 276	69 - 240	2.048	GST09 - 1K □□□ 160-32 31G		
	1457 - 242	79 - 273	2.333	GST09 - 1K □□□ 160-32 31G		
	1210 - 201	95 - 329	2.810	GST09 - 1K □□□ 160-32 31G		
	987 - 164	117 - 404	3.444	GST09 - 1K □□□ 160-32 31G		
	729 - 121	158 - 379	4.667	GST09 - 1K □□□ 160-32 31G		
	600 - 100	192 - 465	5.667	GST09 - 1K □□□ 160-32 31G		
				GST □□ - 2K		5-24
	510 - 85	222 - 769	6.667	GST09 - 2K □□□ 160-32 31G		
	424 - 70	268 - 926	8.027	GST09 - 2K □□□ 160-32 31G		
	331 - 55	342 - 1178	10.267	GST09 - 2K □□□ 160-32 31G		
	275 - 46	412 - 1253	12.362	GST09 - 2K □□□ 160-32 31G		
	224 - 37	505 - 1340	15.156	GST09 - 2K □□□ 160-32 31G		
	166 - 27	684 - 1484	20.533	GST09 - 2K □□□ 160-32 31G		
	136 - 23	831 - 1582	24.933	GST09 - 2K □□□ 160-32 31G		
	105 - 17	1076 - 2791	32.267	GST11 - 2K □□□ 160-32 31G		
	87 - 14	1305 - 2826	39.160	GST11 - 2K □□□ 160-32 31G		
	69 - 11	1650 - 3492	49.500	GST14 - 2K □□□ 160-32 31G		
				GST □□ - 3K	5-30	
	56 - 9.2	2011 - 2725	61.250	GST11 - 3K □□□ 160-32 31G		
	42 - 7.0	2121 - 2787	80.694	GST11 - 3K □□□ 160-32 31G		
	35 - 5.9	3157 - 5882	96.157	GST14 - 3K □□□ 160-32 31G		
	26 - 4.3	4278 - 5920	130.278	GST14 - 3K □□□ 160-32 31G		
	21 - 3.6	4507 - 5920	158.194	GST14 - 3K □□□ 160-32 31G		
	20 - 3.3	4507 - 5920	171.111	GST14 - 3K □□□ 160-32 31G		
	18.5 kW				GST □□ - 1K	5-18
		2179 - 360	65 - 183	1.560	GST09 - 1K □□□ 180-22 31G	
		1660 - 275	85 - 240	2.048	GST09 - 1K □□□ 180-22 31G	
		1457 - 241	97 - 273	2.333	GST09 - 1K □□□ 180-22 31G	
		1210 - 200	117 - 329	2.810	GST09 - 1K □□□ 180-22 31G	
		987 - 163	144 - 404	3.444	GST09 - 1K □□□ 180-22 31G	
729 - 120		195 - 379	4.667	GST09 - 1K □□□ 180-22 31G		
600 - 99		236 - 465	5.667	GST09 - 1K □□□ 180-22 31G		
			GST □□ - 2K	5-24		
510 - 84		274 - 769	6.667		GST09 - 2K □□□ 180-22 31G	
424 - 70		330 - 926	8.027		GST09 - 2K □□□ 180-22 31G	
331 - 55		422 - 1178	10.267		GST09 - 2K □□□ 180-22 31G	
275 - 45		508 - 1253	12.362		GST09 - 2K □□□ 180-22 31G	
224 - 37		623 - 1340	15.156		GST09 - 2K □□□ 180-22 31G	
166 - 27		844 - 1484	20.533		GST09 - 2K □□□ 180-22 31G	
136 - 23		1025 - 1582	24.933		GST09 - 2K □□□ 180-22 31G	
105 - 17		1326 - 2791	32.267		GST11 - 2K □□□ 180-22 31G	

Thermal limit not considered (see note on page 3-12)

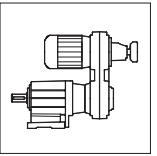


Compact units

Selection tables with helical gearboxes

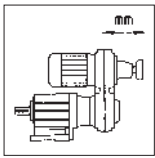
P ₁	50 Hz		i	Compact unit	Dim. Page
	n ₂ [min ⁻¹]	M ₂ [Nm]			
18.5 kW	87 - 14	1610 - 2826	39.160	GST □□ - 2K GST11 - 2K □□□ 180-22 31G	5-24
	69 - 11	2034 - 3492	49.500	GST14 - 2K □□□ 180-22 31G	
				GST □□ - 3K	5-30
	56 - 9.2	2075 - 2725	61.250	GST11 - 3K □□□ 180-22 31G	
	43 - 7.2	3176 - 5587	78.457	GST14 - 3K □□□ 180-22 31G	
	35 - 5.8	3893 - 5882	96.157	GST14 - 3K □□□ 180-22 31G	
	26 - 4.3	4507 - 5920	130.278	GST14 - 3K □□□ 180-22 31G	
22 kW	678 - 120	250 - 930	4.056	GST □□ - 2K GST11 - 2K □□□ 180-32 40H	5-24
	617 - 109	275 - 1022	4.457	GST11 - 2K □□□ 180-32 40H	
	516 - 91	328 - 1221	5.324	GST11 - 2K □□□ 180-32 40H	
	430 - 76	394 - 1467	6.400	GST11 - 2K □□□ 180-32 40H	
	352 - 62	480 - 1788	7.800	GST11 - 2K □□□ 180-32 40H	
	279 - 49	607 - 2260	9.856	GST11 - 2K □□□ 180-32 40H	
	219 - 39	774 - 2520	12.571	GST11 - 2K □□□ 180-32 40H	
	179 - 32	949 - 2695	15.400	GST11 - 2K □□□ 180-32 40H	
	136 - 24	1250 - 2756	20.289	GST11 - 2K □□□ 180-32 40H	
	110 - 20	1536 - 2777	24.933	GST11 - 2K □□□ 180-32 40H	
	85 - 15	1987 - 5436	32.267	GST14 - 2K □□□ 180-32 40H	
	70 - 12	2412 - 5452	39.160	GST14 - 2K □□□ 180-32 40H	
	62 - 11	2741 - 5786	44.500	GST14 - 2K □□□ 180-32 40H	
				GST □□ - 3K	5-30
				GST14 - 3K □□□ 180-32 40H	
				GST14 - 3K □□□ 180-32 40H	
				GST14 - 3K □□□ 180-32 40H	
30 kW	673 - 119	343 - 930	4.056	GST □□ - 2K GST11 - 2K □□□ 200-32 40H	5-24
	613 - 108	377 - 1022	4.457	GST11 - 2K □□□ 200-32 40H	
	513 - 91	450 - 1221	5.324	GST11 - 2K □□□ 200-32 40H	
	427 - 76	541 - 1467	6.400	GST11 - 2K □□□ 200-32 40H	
	350 - 62	660 - 1788	7.800	GST11 - 2K □□□ 200-32 40H	
	277 - 49	834 - 2260	9.856	GST11 - 2K □□□ 200-32 40H	
	217 - 38	1063 - 2520	12.571	GST11 - 2K □□□ 200-32 40H	
	177 - 31	1302 - 2695	15.400	GST11 - 2K □□□ 200-32 40H	
	135 - 24	1716 - 2756	20.289	GST11 - 2K □□□ 200-32 40H	
	110 - 19	2109 - 2777	24.933	GST11 - 2K □□□ 200-32 40H	
	85 - 15	2729 - 5436	32.267	GST14 - 2K □□□ 200-32 40H	
	70 - 12	3312 - 5452	39.160	GST14 - 2K □□□ 200-32 40H	
	61 - 11	3763 - 5786	44.500	GST14 - 2K □□□ 200-32 40H	
				GST □□ - 3K	

Thermal limit not considered (see note on page 3-12)



P ₁	50 Hz		i	Compact unit	Dim. Page
	n ₂ [min ⁻¹]	M ₂ [Nm]			
30 kW	56 -10.0	3966 - 4843	48.386	GST □□ - 2K GST14 - 3K □□□ 200-32 40H GST14 - 3K □□□ 200-32 40H	5-24
	46 - 8.1	4313 - 5267	59.321		
37 kW	676 -120	422 - 930	4.056	GST □□ - 2K GST11 - 2K □□□ 225-12 40H GST11 - 2K □□□ 225-12 40H GST11 - 2K □□□ 225-12 40H GST11 - 2K □□□ 225-12 40H GST11 - 2K □□□ 225-12 40H GST11 - 2K □□□ 225-12 40H GST11 - 2K □□□ 225-12 40H GST11 - 2K □□□ 225-12 40H GST11 - 2K □□□ 225-12 40H GST11 - 2K □□□ 225-12 40H GST11 - 2K □□□ 225-12 40H GST11 - 2K □□□ 225-12 40H GST14 - 2K □□□ 225-12 40H GST14 - 2K □□□ 225-12 40H GST14 - 2K □□□ 225-12 40H GST14 - 3K □□□ 225-12 40H	5-24
	615 -109	463 - 1022	4.457		
	515 - 91	553 - 1221	5.324		
	428 - 76	665 - 1467	6.400		
	351 - 62	811 - 1788	7.800		
	278 - 49	1024 - 2260	9.856		
	218 - 39	1307 - 2520	12.571		
	178 - 31	1601 - 2695	15.400		
	135 - 24	2109 - 2756	20.289		
	110 - 19	2272 - 2777	24.933		
	85 - 15	3354 - 5436	32.267		
	70 - 12	4070 - 5452	39.160		
	62 - 11	4625 - 5786	44.500		
	57 - 10	3962 - 4843	48.386		
	45 kW	682 -121	508 - 930		
621 -110		558 - 1022	4.457		
520 - 92		666 - 1221	5.324		
433 - 77		801 - 1467	6.400		
355 - 63		976 - 1788	7.800		
281 - 50		1233 - 2260	9.856		
220 - 39		1573 - 2520	12.571		
180 - 32		1927 - 2695	15.400		
136 - 24		2247 - 2756	20.289		
113 - 20		3074 - 5236	24.567		
86 - 15		4038 - 5436	32.267		
71 - 13		4445 - 5452	39.160		
62 - 11		4717 - 5786	44.500		

Thermal limit not considered (see note on page 3-12)



Compact units

Combinations with helical gearboxes

GST □□ - 1 K

Gearbox size	Compact unit														
	GST □□ - 1 K VBR with drive size														
	071	080	090			100	112	132		160		180			
	-12/-32	-12/-32	-12/-32			-12/-32	-22/-32	-22/-32		-22	-32	-22			
10B	13C	13C	13D	16D	16E	16D	16E	20E	20F	25F	25G	25F	31G	31G	
GST 04	●	●	●												
GST 05	●	●	●	●	●		●								
GST 06					●	●	●	●	●						
GST 07					●		●	●	●	●	●		●		
GST 09									●		●	●	●	●	●
GST □□ - 1 K VCR															
GST 04	●	●	●												
GST 05	●	●	●	●	●		●								
GST 06					●	●	●	●	●						
GST 07					●		●	●	●	●	●		●		
GST 09									●		●	●	●	●	●
GST □□ - 1 K VCK															
GST 04	Output flange														
	120	●	●	●											
	140	↑	●	●											
GST 05	120	●	●	●	●	●	●	●							
	140	●	●	●	●	●	●	●							
	160	↑	●	●	●	●	●	●							
	200	↑	↑	↑	↑	●	●	●							
GST 06	160				●	●	●	●	●						
	200				●	●	●	●	●						
GST 07	200				●		●	●	●	●	●		●		
	250				●		●	●	●	●	●		●		
GST 09	250								●		●	●	●	●	●
	300								●		●	●	●	●	●

5

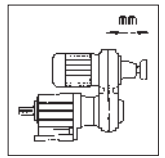
Motor position 1 (Z type):

■ All combinations possible with swivel positions 2+3+5

Motor position 6 (U type):

↑ Only swivel position 2 possible

● Swivel positions 2+3+5 possible



GST □□ - 2 K

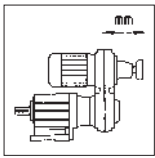
Gearbox size	Compact unit													
	GST □□ - 2 K VBR with drive size													
	071	080	090		100	112	132	160		180		200	225	
	-12 / -32	-12 / -32	-12 / -32	13D	16D	-22 / -32	-22 / -32	-22	-32	-22	-32	-32	-12 / -22	
	10B	13C	13C	13D	16D	20E	25F	25F	31G	31G	31H	40H	40H	
GST 04	●	●	●											
GST 05	●	●	●	●	●	●								
GST 06			●		●	●	●							
GST 07					●	●	●	●	●					
GST 09							●	●	●	●	●			
GST 11								●	●	●	●	●	●	●
GST 14									●	●		●	●	●
	GST □□ - 2 K VCR													
GST 04	●	●	●											
GST 05	●	●	●	●	●	●								
GST 06			●		●	●	●							
GST 07					●	●	●	●	●					
GST 09							●	●	●	●	●			
GST 11								●	●	●	●	●	●	●
GST 14									●	●		●	●	●
	GST □□ - 2 K VCK													
GST 04	Output flange													
	120	●	●	●										
	140		●	●										
GST 05	120	●	●	●	●	●	●							
	140		●	●	●	●	●							
	160		●	●	●	●	●							
	200					●	●							
GST 06	160			●		●	●	●						
	200					●	●	●						
GST 07	200					●	●	●	●	●				
	250						●	●	●					
GST 09	250						●	●	●	●	●			
	300							●	●	●	●			
GST 11	300							●	●	●	●	●	●	●
	350							●		●	●	●	●	●
GST 14	350								●	●		●	●	●
	400								●	●		●	●	●

Motor position 1 (Z type):

■ All combinations possible in swivel positions 2+3+5

Motor position 6 (U type):

● Swivel positions 2+3+5



Compact units

Combinations with helical gearboxes

GST □□ - 3 K

Gearbox size	Compact unit														
	GST □□ - 3 K VBR with drive size														
	071	080	090			100	112	132	160		180		200		
	-12 / -32	-12 / -32	-12 / -32			-12 / -32	-22 / -32	-22 / -32	-22	-32	-22	-32	-32		
10B	13C	13C	13D	16D	16E	16D	16E	20E	20F	25F	25F	31G	31G	40H	40H
GST 05	●	●													
GST 06	↑	●	●												
GST 07	↑	●	↑	↑	●		●								
GST 09		↑	↑	↑	●		●	●	●	●	●				
GST 11				↑	↑		↑		●		●	●	●		
GST 14						↑		↑	↑		●	↑	●	●	●
GST □□ - 3 K VCR															
GST 05	●	●													
GST 06	↑	●	●												
GST 07	↑	●	↑	↑	●		●								
GST 09		↑	↑	↑	●		●	●	●	●	●				
GST 11				↑	↑		↑		●		●	●	●	●	
GST 14						↑		↑	↑		●	↑	●	●	●
GST □□ - 3 K VCK															
GST 05	Output flange														
	120	●	●												
	140	●	●												
	160	●	●												
GST 06	200	●	●												
	160	↑	●	●											
GST 07	200	↑	●	↑	↑	●		●							
	250	↑	●	↑	↑	●		●							
GST 09	250		↑	↑	↑	●		●	●	●	●	●			
	300		↑	↑	↑	●		●	●	●	●	●			
GST 11	300				↑		↑		●		●	●	●	●	
	350				↑		↑		●		●	↑	●	●	
GST 14	350					↑		↑	↑		●	↑	●	●	●
	400					↑		↑	↑		●	↑	●	●	●

5

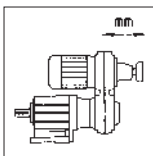
Motor position 1 (Z type):

■ All combinations possible in swivel positions 2+3+5

Motor position 6 (U type):

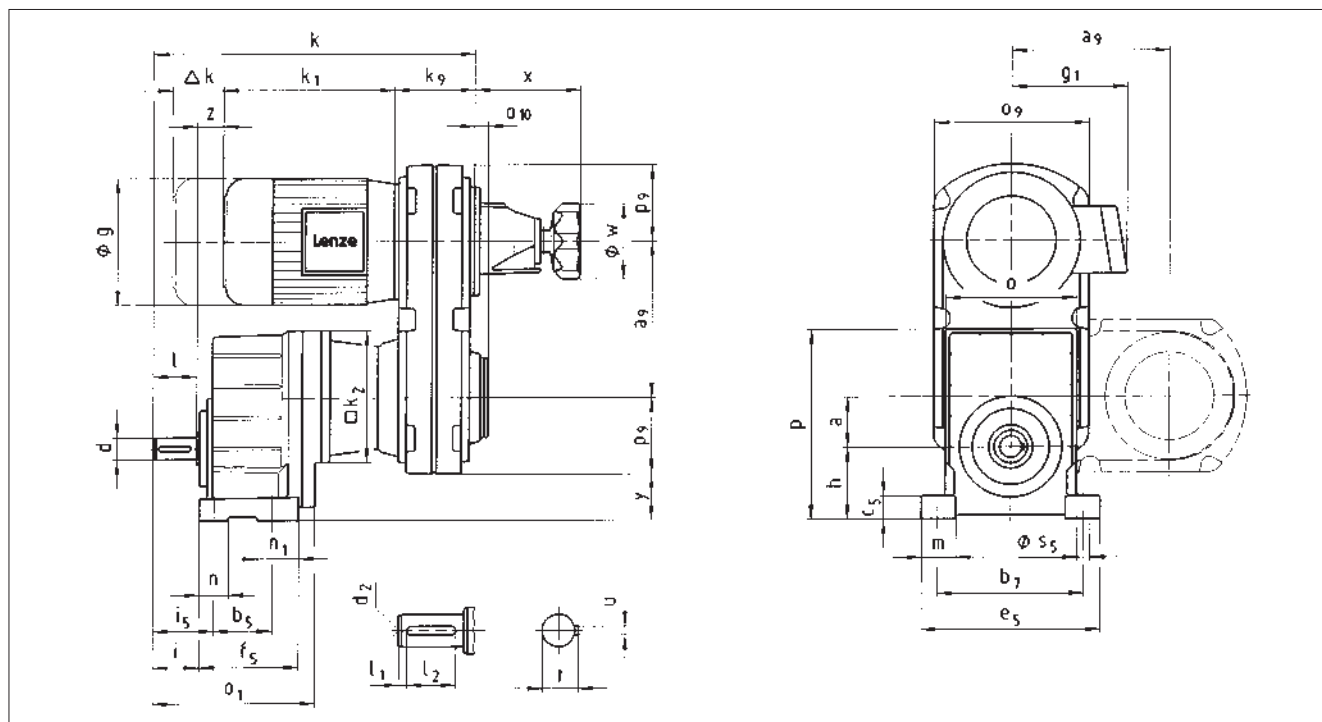
↑ Only swivel position 2 possible

● Swivel positions 2, 3 or 5 possible



Compact units

Dimensions with helical gearboxes



Compact unit		Drive size																		
GST □□ - 1 K VBR		071	080	090			100	112	132	160		180								
Motor position 6		-12 /-32	-12 /-32	-12 /-32			-12 /-32	-22 /-32	-22 /-32	-22 -32		-22								
		10B	13C	13C	13D	16D	16E	20E	20F	25F	25G	25F	31G	31G						
Motor	g	143	160	180	180	180	180	198	198	222	222	274	274	323	323	360				
	g₁ Without options	128	137	147	147	147	147	159	159	174	174	196	196	253	253	275				
	Brake motor	131	142	154	154	154	154	161	161	174	174	212	212	253	253	275				
	k₁	237	267	350	350	350	350	352	352	379	379	450	450	564	564	595				
	Δk Brake	54	36	48	48	48	48	75	75	80	80	63	63	120	120	122				
Variable speed drive	a₉	136	173	173	173	217	217	217	217	248	248	316	316	316	392	392				
	k₉	65	95	95	95	110	110	110	110	130	130	160	160	160	196	196				
	o₉	135	180	180	180	212	212	212	212	263	263	320	320	320	394	394				
	p₉	67	90	90	90	106	106	106	106	132	132	160	160	160	197	197				
	w	70	70	70	70	105	105	105	105	105	105	160	160	160	160	160				
	x	100	108	108	108	147	147	147	147	147	147	184	184	184	184	184				
	o₁₀	17	17	17	17	17	17	17	17	17	17	27	27	39	39	39				
Housing	k₂	115	145	145	145	145	180	145	180	180	222	222	222	222	222	222				
Gearbox size	Gearbox					Total length														
	o	o₁	p	h	a	k														
GST 04	100	134	138	50	36	249	306	306												
GST 05	115	165	168	63	45	277	327	327	345	360		360								
GST 06	145	191	211	80	56					383	413	383	413	433						
GST 07	180	223	264	100	70					412		412	442	462	463	493		493		
GST 09	222	271	329	125	89									505		536	516	536	552	552

Gearbox size	Solid shaft							Foot										
	d k6	l	l₁	l₂	d₂	u	t	b₅	b₇	c₅	e₅	f₅	i	i₅	m	n	n₁	s₅
GST 04	16	32	6	20	M5	5	18	55	105	17	128	80	35	45	24	20	25	9
GST 05	20	40	6	28	M6	6	22.5	70	125	22	154	99	43	56	32	26	29	11
GST 06	25	50	4	40	M10	8	28	72	160	27	194	115	53	68	37	30	43	13.5
GST 07	30	60	7.5	45	M10	8	33	80	200	35	245	137	64	84	47.5	40	57	18
GST 09	40	80	8.5	63	M16	12	43	105	245	43	296	161	84	107	50.5	45	56	18

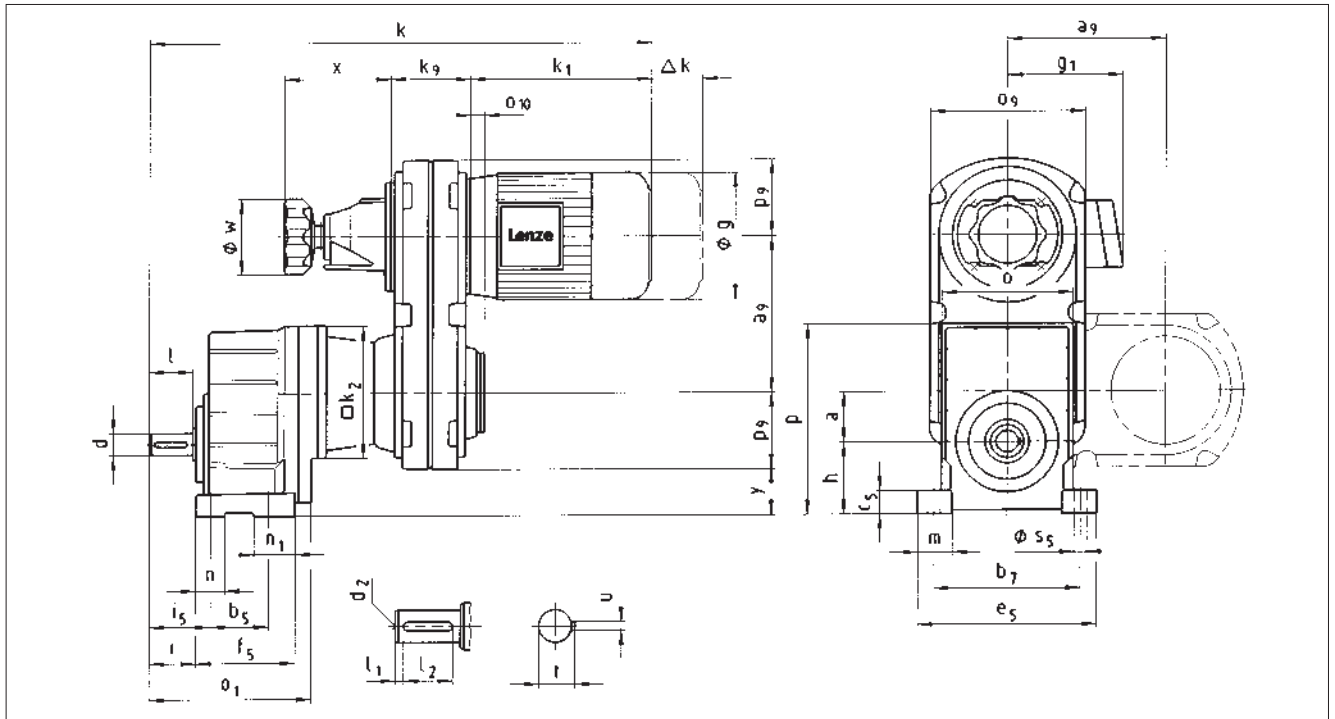
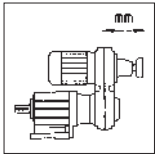
Dimensions in [mm]

Observe test dimensions z and y! (see page 5-36)

Observe swivel positions for possible combinations! (see page 5-14)

Compact units

Dimensions with helical gearboxes



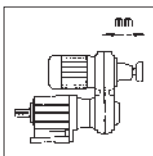
Compact unit		Drive size																		
GST □□ - 1 K VBR		071 -12 /-32	080 -12 /-32	090 -12 /-32			100 -12 /-32		112 -22 /-32											
Motor position 1		10B	13C	13C	13D	16D	16E	16D	16E	20E	20F									
Motor	g	143	160	180	180	180	180	198	198	222	222									
	g₁ Without options	128	137	147	147	147	147	159	159	174	174									
	Brake motor	131	142	154	154	154	154	161	161	174	174									
	k₁	237	267	350	350	350	350	352	352	379	379									
	Δk Brake	54	36	48	48	48	48	75	75	80	80									
Variable speed drive	a₉	136	173	173	173	217	217	217	217	248	248									
	k₉	65	95	95	95	110	110	110	110	130	130									
	o₉	135	180	180	180	212	212	212	212	263	263									
	p₉	67	90	90	90	106	106	106	106	132	132									
	w	70	70	70	70	105	105	105	105	105	105									
	x	100	108	108	108	147	147	147	147	147	147									
	o₁₀	17	17	17	17	17	17	17	17	27	27									
Housing	k₂	115	145	145	145	145	180	145	180	180	222									
Gearbox size	Gearbox					Total length														
	o	o₁	p	h	a	k														
GST 04	100	134	138	50	36	486	573	656												
GST 05	115	165	168	63	45	514	594	677	695	710		712								
GST 06	145	191	211	80	56					733	763	735	765	812						
GST 07	180	223	264	100	70					762		764	794	841	842					
GST 09	222	271	329	125	89									884						

Gearbox size	Solid shaft								Foot											
	d k6	l	l₁	l₂	d₂	u	t	b₅	b₇	c₅	e₅	f₅	i	i₅	m	n	n₁	s₅		
GST 04	16	32	6	20	M5	5	18	55	105	17	128	80	35	45	24	20	25	9		
GST 05	20	40	6	28	M6	6	22.5	70	125	22	154	99	43	56	32	26	29	11		
GST 06	25	50	4	40	M10	8	28	72	160	27	194	115	53	68	37	30	43	13.5		
GST 07	30	60	7.5	45	M10	8	33	80	200	35	245	137	64	84	47.5	40	57	18		
GST 09	40	80	8.5	63	M16	12	43	105	245	43	296	161	84	107	50.5	45	56	18		

Dimensions in [mm]

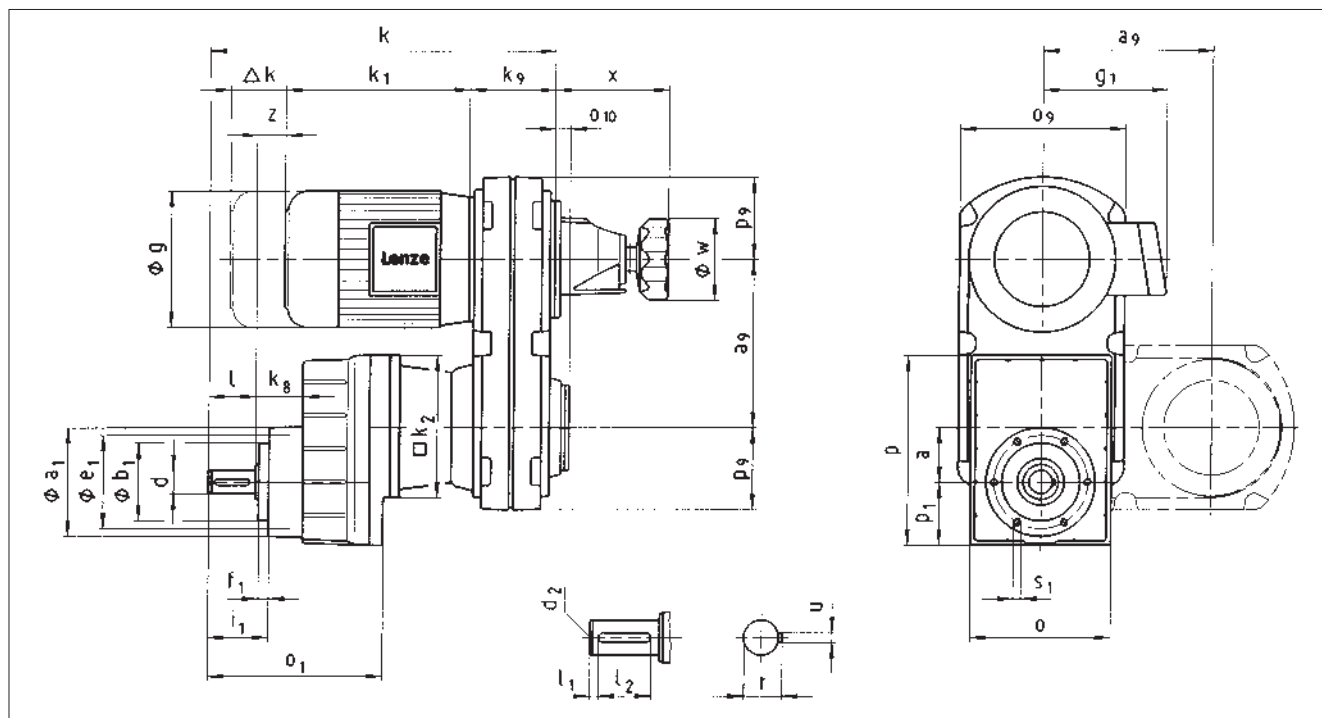
Observe test dimension y! (see page 5-36)

Observe swivel positions for possible combinations! (see page 5-14)



Compact units

Dimensions with helical gearboxes



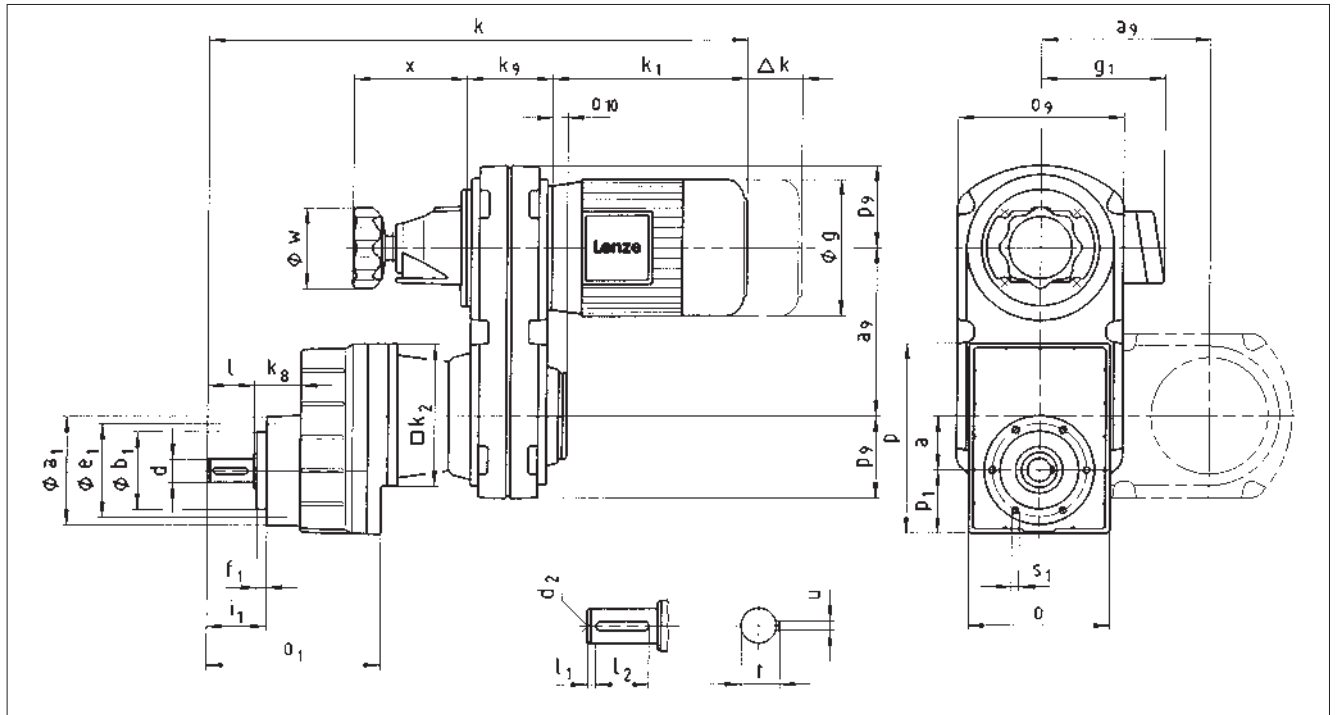
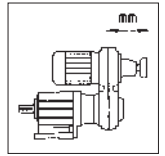
Compact unit		Drive size																			
GST □□ - 1 K VCR		071	080	090			100		112		132		160		180						
Motor position 6		-12 / -32	-12 / -32	-12 / -32	-12 / -32	16E	-12 / -32	16E	-22 / -32	-22 / -32	-22 / -32	-22 / -32	-22 / -32	-22 / -32	-22						
		10B	13C	13C	13D	16D	16D	16E	20E	20F	25F	25G	25F	31G	31G						
Motor	g	143	160	180	180	180	198	198	222	222	274	274	323	323	360						
	g₁ Without options	128	137	147	147	147	159	159	174	174	196	196	253	253	275						
	Brake motor	131	142	154	154	154	161	161	174	174	212	212	253	253	275						
	k₁	237	267	350	350	350	352	352	379	379	450	450	564	564	595						
	Δk Brake	54	36	48	48	48	48	75	75	80	80	63	63	120	120	122					
Variable speed drive	a₉	136	173	173	173	217	217	217	248	248	316	316	316	392	392						
	k₉	65	95	95	95	110	110	110	130	130	160	160	160	196	196						
	o₉	135	180	180	180	212	212	212	263	263	320	320	320	394	394						
	p₉	67	90	90	90	106	106	106	132	132	160	160	160	197	197						
	w	70	70	70	70	105	105	105	105	105	160	160	160	160	160						
	x	100	108	108	108	147	147	147	147	147	184	184	184	184	184						
	o₁₀	17	17	17	17	17	17	17	27	27	39	39	39	39	39						
Housing	k₂	115	145	145	145	180	145	180	180	222	222	222	222	222	222						
Gearbox size	Gearbox						Total length														
	o	o ₁	p	p ₁	a	k ₈	k														
GST 04	100	134	129	41	36	35	249	306	306												
GST 05	115	165	156	51	45	43	277	327	327	345	360		360								
GST 06	145	191	194	63	56	48					383	413	383	413	433						
GST 07	180	223	245	82	70	60					412		412	442		463	493		493		
GST 09	222	271	304	101	89	74									505		536	516	536	552	552

Gearbox size	Solid shaft								Pitch circle					
	d k6	l	l ₁	l ₂	d ₂	u	t	a ₁	b ₁ h7	e ₁	f ₁	i ₁	s ₁	
GST 04	16	32	6	20	M5	5	18	72	48	61	8	43	M5x10	
GST 05	20	40	6	28	M6	6	22.5	88	58	74	9	52	M6x12	
GST 06	25	50	7	36	M10	8	28	109	70	90	11	64	M8x14	
GST 07	30	60	7.5	45	M10	8	33	140	100	120	13	77	M10x18	
GST 09	40	80	8.5	63	M16	12	43	174	120	145	15	100	M12x20	

Dimensions in [mm]
 Observe test dimension z! (see page 5-36)
 Observe swivel positions for possible combinations! (see page 5-14)

Compact units

Dimensions with helical gearboxes

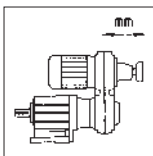


Compact unit GST □□ - 1 K VCR		Drive size															
		071 -12 /-32 10B	080 -12 /-32 13C	090 -12 /-32			100 -12 /-32		112 -22 /-32								
Motor position 1		13C	13D	16D	16E	16D	16E	20E	20F								
Motor	g	143	160	180	180	180	180	198	198	222	222						
	g₁	Without options	128	137	147	147	147	147	159	159	174	174					
		Brake motor	131	142	154	154	154	154	161	161	174	174					
	k₁	237	267	350	350	350	350	352	352	379	379						
	Δk Brake	54	36	48	48	48	48	75	75	80	80						
Variable speed drive	a₉	136	173	173	173	217	217	217	217	248	248						
	k₉	65	95	95	95	110	110	110	110	130	130						
	o₉	135	180	180	180	212	212	212	212	263	263						
	p₉	67	90	90	90	106	106	106	106	132	132						
	w	70	70	70	70	105	105	105	105	105	105						
	x	100	108	108	108	147	147	147	147	147	147						
	o₁₀	17	17	17	17	17	17	17	17	27	27						
Housing	k₂	115	145	145	145	145	180	145	180	180	222						
Gearbox size	Gearbox						Total length										
	o	o ₁	p	p ₁	a	k ₈	k										
GST 04	100	134	129	41	36	35	486	573	656								
GST 05	115	165	156	51	45	43	514	594	677	695	710		712				
GST 06	145	191	194	63	56	48					733	763	735	765	812		
GST 07	180	223	245	82	70	60					762		764	794	841	842	
GST 09	222	271	304	101	89	74									884		

Gearbox size	Solid shaft								Pitch circle					
	d k6	l	l ₁	l ₂	d ₂	u	t	a ₁	b ₁ h7	e ₁	f ₁	i ₁	s ₁	
GST 04	16	32	6	20	M5	5	18	72	48	61	8	43	M5x10	
GST 05	20	40	6	28	M6	6	22.5	88	58	74	9	52	M6x12	
GST 06	25	50	7	36	M10	8	28	109	70	90	11	64	M8x14	
GST 07	30	60	7.5	45	M10	8	33	140	100	120	13	77	M10x18	
GST 09	40	80	8.5	63	M16	12	43	174	120	145	15	100	M12x20	

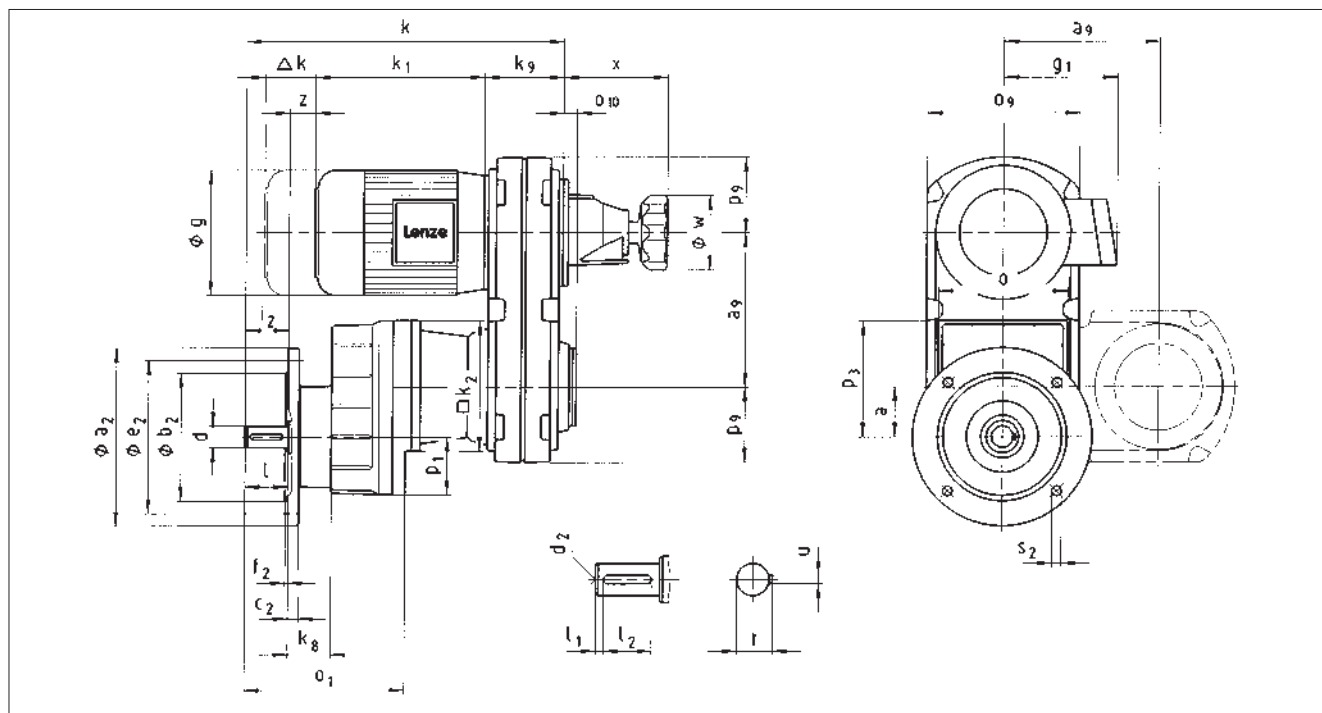
Dimensions in [mm]

Observe swivel positions for possible combinations! (see page 5-14)



Compact units

Dimensions with helical gearboxes



Compact unit		Drive size																						
GST □□ - 1 K VCK		071		080		090			100		112		132		160		180							
Motor position 6		-12 / -32	10B	-12 / -32	13C	13C	13D	16D	16E	-12 / -32	16D	16E	-22 / -32	20E	20F	-22 / -32	25F	25G	-22	-32	31G	-22	31G	
Motor	g	143	160	180	180	180	180	180	198	198	222	222	274	274	323	323	360							
	g₁ Without options	128	137	147	147	147	147	159	159	174	174	196	196	253	253	275								
	Brake motor	131	142	154	154	154	154	161	161	174	174	212	212	253	253	275								
	k₁	237	267	350	350	350	350	352	352	379	379	450	450	564	564	595								
	Δk Brake	54	36	48	48	48	48	75	75	80	80	63	63	120	120	122								
Variable speed drive	a₉	136	173	173	173	217	217	217	217	248	248	316	316	316	392	392								
	k₉	65	95	95	95	110	110	110	110	130	130	160	160	160	196	196								
	o₉	135	180	180	180	212	212	212	212	263	263	320	320	320	394	394								
	p₉	67	90	90	90	106	106	106	106	132	132	160	160	160	197	197								
	w	70	70	70	70	105	105	105	105	105	105	160	160	160	160	160								
	x	100	108	108	108	147	147	147	147	147	147	184	184	184	184	184								
	o₁₀	17	17	17	17	17	17	17	17	17	17	27	27	39	39	39								
Housing	k₂	115	145	145	145	145	180	145	180	180	222	222	222	222	222									
Gearbox size	Gearbox						Total length																	
	o	o ₁	p ₁	p ₃	a	k ₈	k																	
GST 04	100	134	41	88	36	35	249	306	306															
GST 05	115	165	51	105	45	43	277	327	327	345														
GST 06	145	191	63	131	56	48				383	413	383	413	433										
GST 07	180	223	82	164	70	60				412		412	442	462	463	493			493					
GST 09	222	271	101	204	89	74								505		536	516	536	552	552				

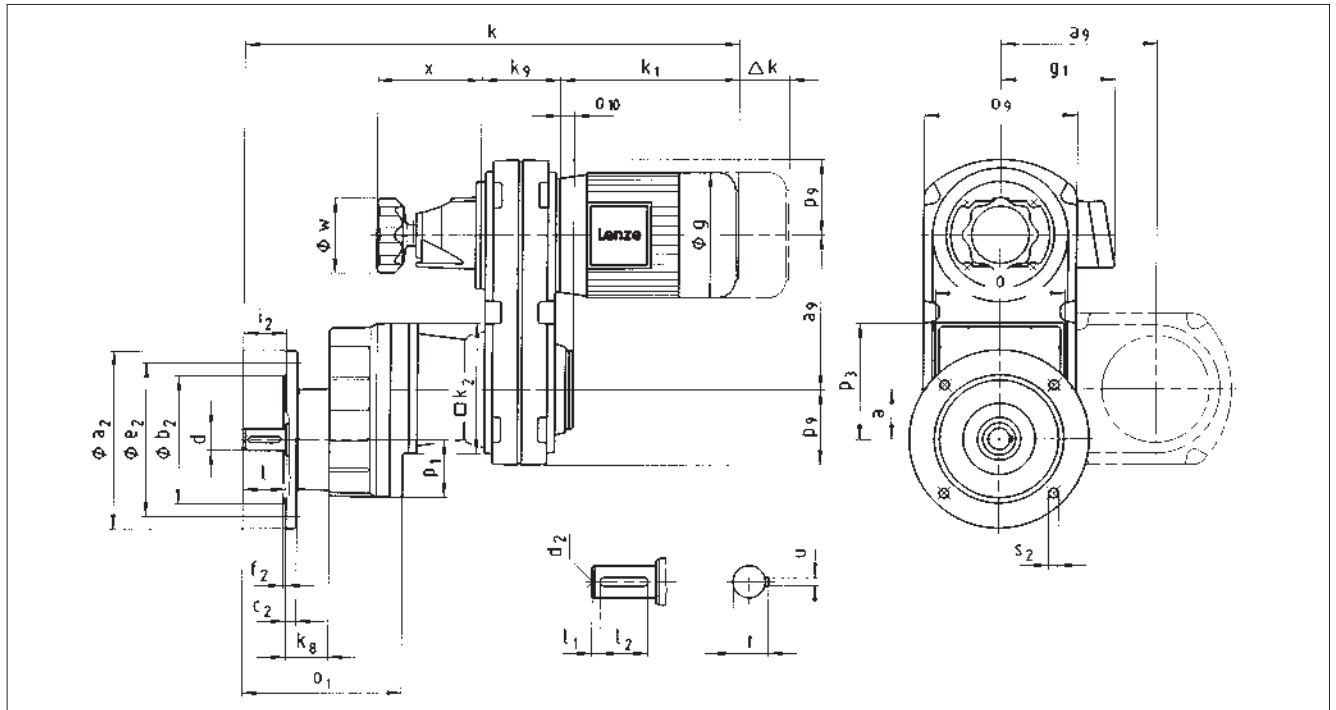
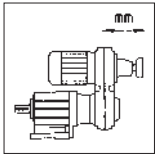
Gearbox size	Solid shaft								Output flange						
	d k6	l	l ₁	l ₂	d ₂	u	t	a ₂	b ₂ h7	c ₂	e ₂	f ₂	i ₂	s ₂ 4 x 90°	
GST 04	16	32	6	20	M5	5	18	120	80		100	3		7	
								140	95	10	115	3	32	9	
								160	110		130	3.5		9	
GST 05	20	40	6	28	M6	6	22.5	120	80	10	100	3		7	
								140	95	10	115	3		9	
								160	110	10	130	3.5	40	9	
								200	130	12	165	3.5		11	
GST 06	25	50	7	36	M10	8	28	160	110	12	130	3.5	50	9	
								200	130		165		11		
GST 07	30	60	7.5	45	M10	8	33	200	130	14	165	3.5	60	11	
								250	180	15	215	4		13.5	
GST 09	40	80	8.5	63	M16	12	43	250	180	16	215	4	80	13.5	
								300	230	18	265				

Dimensions in [mm] · Observe swivel positions for possible combinations! (see page 5-14)

Observe test dimension z (see page 5-36)

Compact units

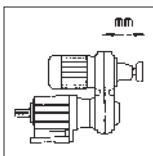
Dimensions with helical gearboxes



Compact unit		Drive size														
GST □□ - 1 K VCK		071	080	090			100		112							
Motor position 1		-12 /-32	-12 /-32	-12 /-32			-12 /-32		-22 /-32							
		10B	13C	13C	13D	16D	16E	16D	16E	20E	20F					
Motor	g	143	160	180	180	180	180	198	198	222	222					
	g₁ Without options	128	137	147	147	147	147	159	159	174	174					
	Brake motor	131	142	154	154	154	154	161	161	174	174					
	k₁	237	267	350	350	350	350	352	352	379	379					
	Δk Brake	54	36	48	48	48	48	75	75	80	80					
Variable speed drive	a₉	136	173	173	173	217	217	217	217	248	248					
	k₉	65	95	95	95	110	110	110	110	130	130					
	o₉	135	180	180	180	212	212	212	212	263	263					
	p₉	67	90	90	90	106	106	106	106	132	132					
	w	70	70	70	70	105	105	105	105	105	105					
	x	100	108	108	108	147	147	147	147	147	147					
	o₁₀	17	17	17	17	17	17	17	17	27	27					
Housing	k₂	115	145	145	145	145	180	145	180	180	222					
Gearbox size	Gearbox						Total length									
	o	o₁	p₁	p₃	a	k₈	k									
GST 04	100	134	41	88	36	35	486	573	656							
GST 05	115	165	51	105	45	43	514	594	677	695						
GST 06	145	191	63	131	56	48					710					
GST 07	180	223	82	164	70	60					733	763	735	765	812	
GST 09	222	271	101	204	89	74					762		764	794	841	842
															884	

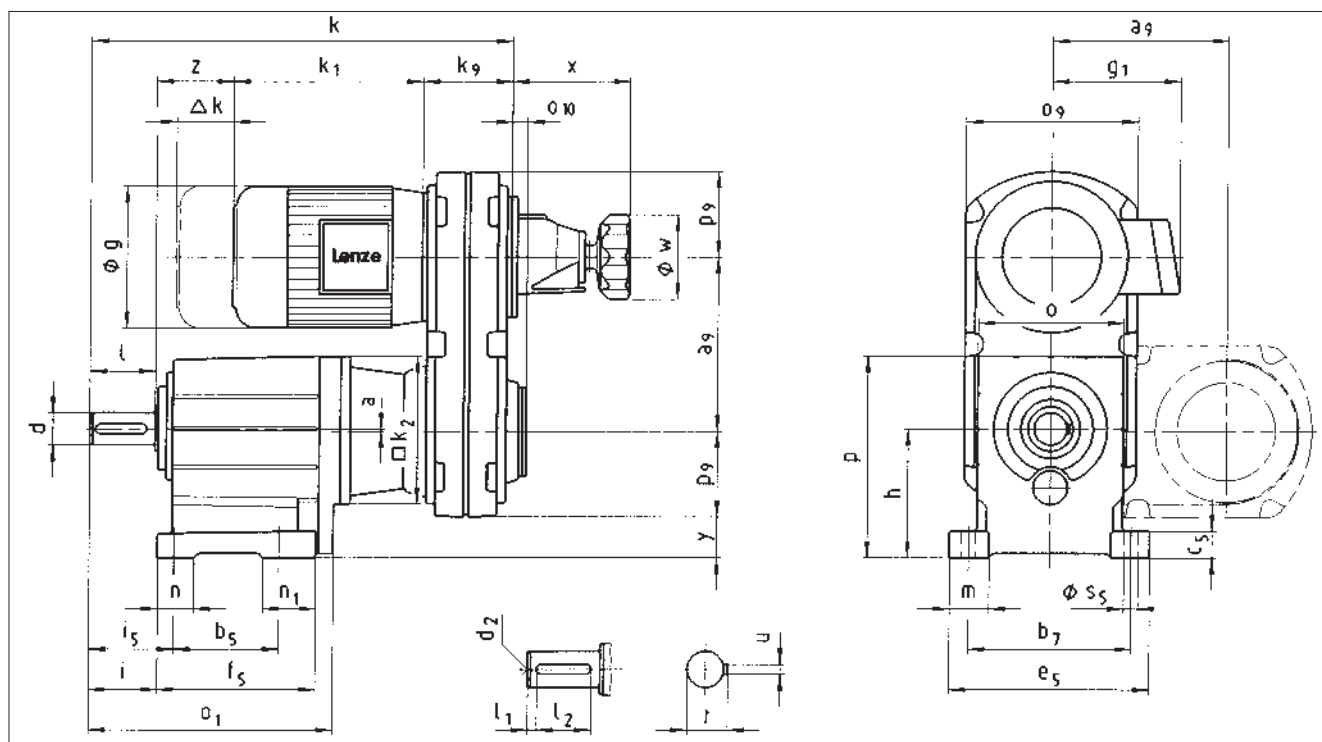
Gearbox size	Solid shaft							Output flange						
	d k6	l	l₁	l₂	d₂	u	t	a₂	b₂ j7	c₂	e₂	f₂	i₂	s₂ 4 x 90°
GST 04	16	32	6	20	M5	5	18	120	80	10	100	3	32	7
								140	95		115	3		9
								160	110		130	3.5		9
GST 05	20	40	6	28	M6	6	22.5	120	80	10	100	3		7
								140	95	10	115	3		9
								160	110	10	130	3.5		9
								200	130	12	165	3.5		11
GST 06	25	50	7	36	M10	8	28	160	110	12	130	3.5	50	9
								200	130		165		11	
GST 07	30	60	7.5	45	M10	8	33	200	130	14	165	3.5	60	11
								250	180	15	215	4	13.5	
GST 09	40	80	8.5	63	M16	12	43	250	180	16	215	4	80	13.5
								300	230	18	265			

Dimensions in [mm] · Observe swivel positions for possible combinations! (see page 5-14)



Compact units

Dimensions with helical gearboxes



Compact unit		Drive size																					
GST □□ - 2 K VBR		071		080		090			100		112		132		160		180		200		225		
Motor position 6		-12 / -32	-12 / -32	-12 / -32	-12 / -32	-12 / -32	-12 / -32	-12 / -32	-22 / -32	-22 / -32	-22 / -32	-22	-32	-22	-32	-32	-32	-32	-12 / -22	-12 / -22			
		10B	13C	13C	13D	16D	16D	20E	25F	25F	31G	25F	31G	31G	31H	40H	40H	40H	40H				
Motor	g	143	160	180	180	180	198	222	274	323	323	360	360	360	388	433							
	g₁ Without options	128	137	147	147	147	159	174	196	253	253	275	275	275	300	319							
	Brake motor	131	142	154	154	154	161	174	212	253	253	275	275	275	309	327							
	k₁	237	267	350	350	350	352	379	450	564	564	595	595	595	661	693							
	Δk Brake	54	36	48	48	48	75	80	63	120	120	122	122	122	167	148							
Variable speed drive	a₉	136	173	173	173	217	217	248	316	316	392	392	392	500	500	500							
	k₉	65	95	95	95	110	110	130	160	160	196	196	196	160	160	160							
	o₉	135	180	180	180	212	212	263	320	320	394	394	394	528	528	528							
	p₉	67	90	90	90	106	106	132	160	160	197	197	197	264	264	264							
	w	70	70	70	70	105	105	105	160	160	160	160	160	200	200	200							
	x	100	108	108	108	147	147	147	184	184	184	184	184	320	320	320							
	o₁₀	17	17	17	17	17	17	27	39	39	39	39	39	142	142	142							
Housing	k₂	115	145	145	145	145	145	180	222	222	222	222	300	300	300	300							
Gearbox size	Gearbox					Total length																	
	o	o₁	p	h	a	k																	
GST 04	100	174	132	80	0	289	346	346															
GST 05	115	214	159	100	1	326	376	376	394	409	409												
GST 06	145	243	198	125	2			402		435	435	485											
GST 07	180	302	251	160	3				491	491	541	572	572										
GST 09	222	370	311	200	4						604	635	635	651	651								
GST 11	270	433	385	250	4							692	692	708	708	718	689	689	689				
GST 14	328	533	479	315	6									798	798		779	779	779				

Gearbox size	Solid shaft								Foot										
	d	l	l₁	l₂	d₂	u	t	b₅	b₇	c₅	e₅	f₅	i	i₅	m	n	n₁	s₅	
GST 04	20	40	5	28	M6	6	22.5	76	105	18	129	112	43	53	24.5	20	36	9	
GST 05	25	50	4	40	M10	8	28	90	125	23	155	139	53	66	32.5	26	49	11	
GST 06	30	60	6	45	M10	8	33	106	160	28	196	157	64	79	38	35	52	13.5	
GST 07	40	80	7	63	M16	12	43	130	200	34	247	196	84	104	48.5	45	66	18	
GST 09	50	100	8	80	M16	14	53.5	165	245	44	298	239	105	127.5	54	48	74	18	
GST 11	60	120	8	100	M20	18	64	200	300	54	368	280	125	155	69	65	80	22	
GST 14	80	160	15	125	M20	22	85	250	380	65	460	340	165	200	85	85	91	26	

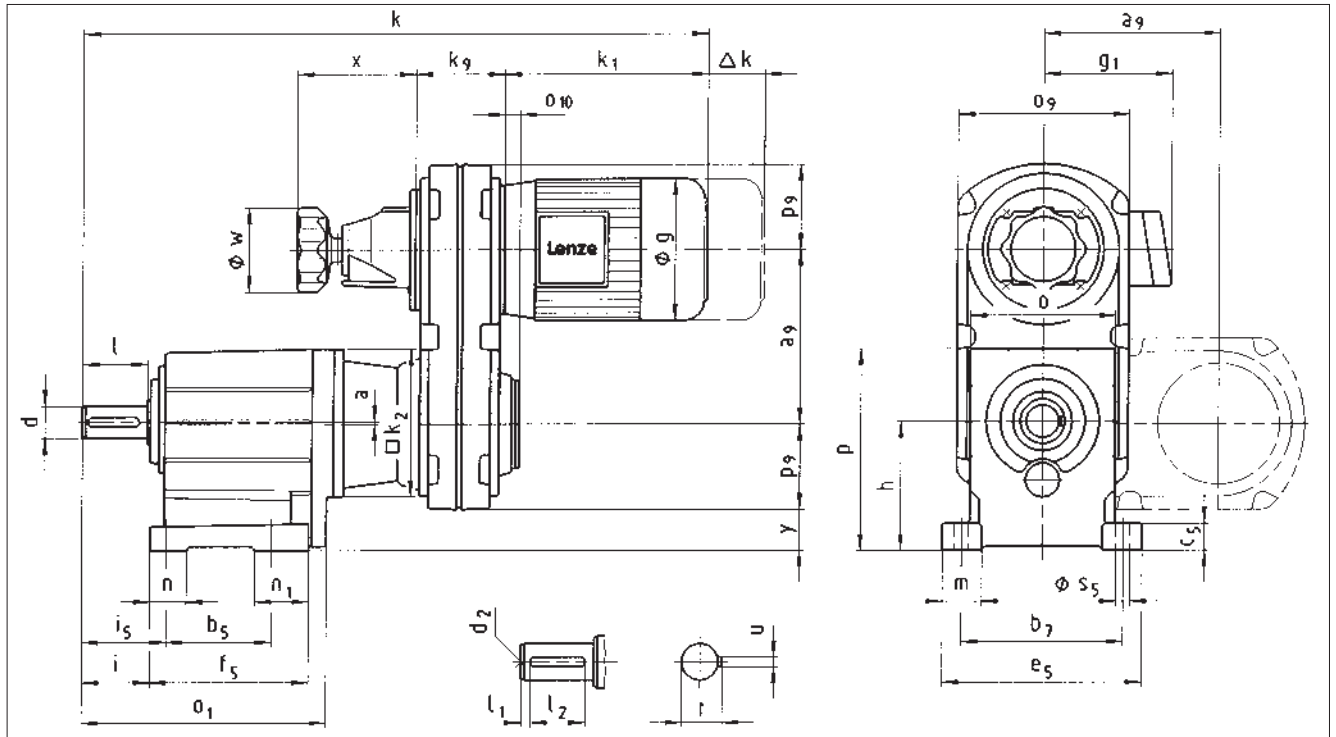
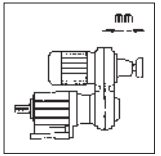
d ≤ 50 mm: k6
d ≥ 50 mm: m6

Dimensions in [mm]
Observe test dimensions z and y! (see page 5-37)

Observe swivel positions for possible combinations!
(see page 5-15)

Compact units

Dimensions with helical gearboxes



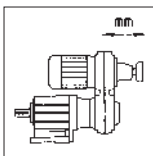
Compact unit		Drive size																
GST □□ - 2 K VBR		071	080	090		100	112											
Motor position 1		-12 / -32	-12 / -32	-12 / -32	-12 / -32	-12 / -32	-22 / -32											
		10B	13C	13C	13D	16D	20E											
Motor	g	143	160	180	180	180	198	222										
	g₁ Without options	128	137	147	147	147	159	174										
	Brake motor	131	142	154	154	154	161	174										
	k₁	237	267	350	350	350	352	379										
	Δk Brake	54	36	48	48	48	75	80										
Variable speed drive	a₉	136	173	173	173	217	217	248										
	k₉	65	95	95	95	110	110	130										
	o₉	135	180	180	180	212	212	263										
	p₉	67	90	90	90	106	106	132										
	w	70	70	70	70	105	105	105										
	x	100	108	108	108	147	147	147										
	o₁₀	17	17	17	17	17	17	27										
Housing	k₂	115	145	145	145	145	145	180										
Gearbox size	Gearbox					Total length												
	o	o₁	p	h	a	k												
GST 04	100	174	132	80	0	526	613	696										
GST 05	115	214	159	100	1	563	643	726	744	759	761							
GST 06	145	243	198	125	2			752		785	787							864
GST 07	180	302	251	160	3					841	843							920
GST 09	222	370	311	200	4													983

Gearbox size	Solid shaft								Foot										
	d	l	l₁	l₂	d₂	u	t	b₅	b₇	c₅	e₅	f₅	i	i₅	m	n	n₁	s₅	
GST 04	20	40	5	28	M6	6	22.5	76	105	18	129	112	43	53	24.5	20	36	9	
GST 05	25	50	4	40	M10	8	28	90	125	23	155	139	53	66	32.5	26	49	11	
GST 06	30	60	6	45	M10	8	33	106	160	28	196	157	64	79	38	35	52	13.5	
GST 07	40	80	7	63	M16	12	43	130	200	34	247	196	84	104	48.5	45	66	18	
GST 09	50	100	8	80	M16	14	53.5	165	245	44	298	239	105	127.5	54	48	74	18	

d ≤ 50 mm: k6
d ≥ 50 mm: m6

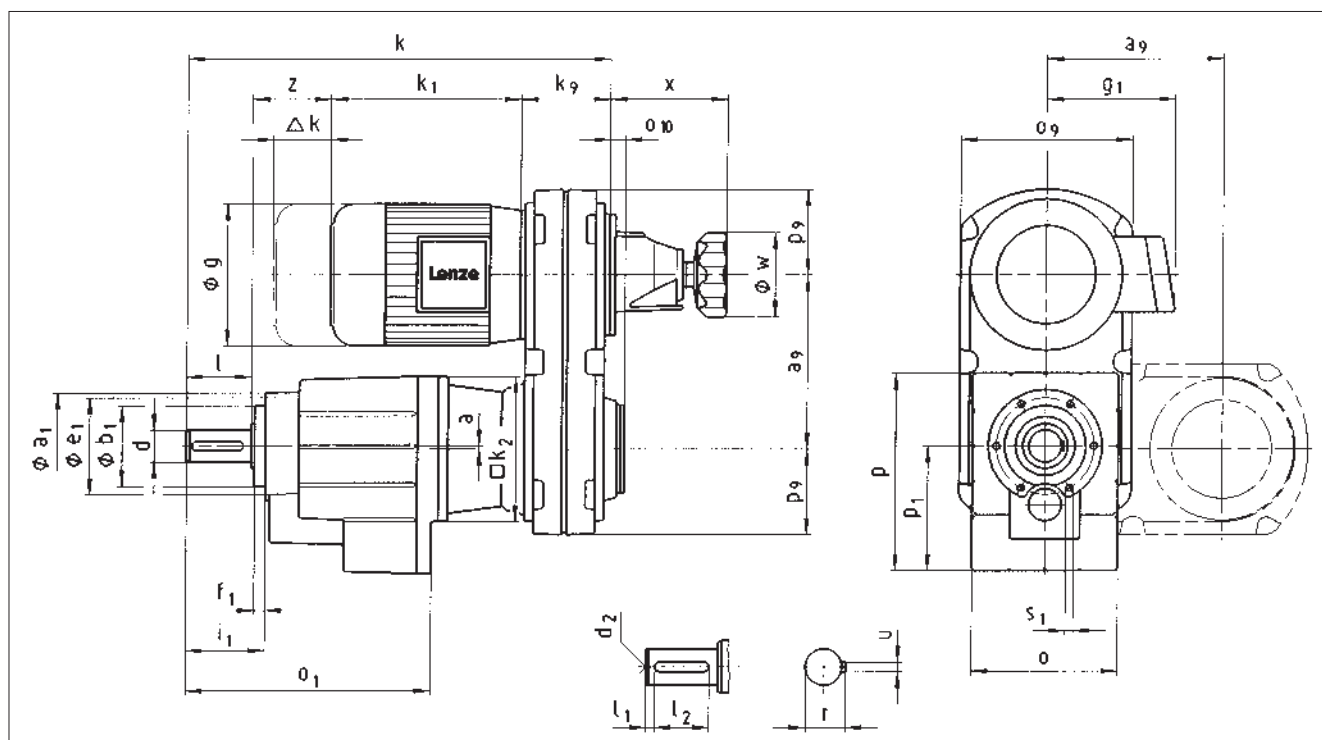
Dimensions in [mm]
Observe test dimension y! (see page 5-37)

Observe swivel positions for possible combinations!
(see page 5-15)



Compact units

Dimensions with helical gearboxes



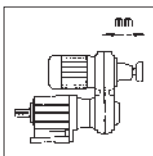
Compact unit		Drive size																					
GST □□ - 2 K VCR		071		080		090			100		112		132		160		180		200		225		
Motor position 6		-12 / -32	-12 / -32	-12 / -32	-12 / -32	-12 / -32	-12 / -32	-12 / -32	-22 / -32	-22 / -32	-22 / -32	-22	-32	-22	-32	-32	-32	-32	-12 / -22	-12 / -22	-12 / -22	-12 / -22	
		10B	13C	13C	13D	16D	16D	20E	20E	25F	25F	31G	31G	31G	31H	40H	40H	40H	40H	40H	40H	40H	
Motor	g	143	160	180	180	180	198	222	274	323	323	360	360	360	388	433							
	g₁ Without options	128	137	147	147	147	159	174	196	253	253	275	275	275	300	319							
	Brake motor	131	142	154	154	154	161	174	212	253	253	275	275	275	309	327							
	k₁	237	267	350	350	350	352	379	450	564	564	595	595	595	661	693							
	Δk Brake	54	36	48	48	48	75	80	63	120	120	122	122	122	167	148							
Variable speed drive	a₉	136	173	173	173	217	217	248	316	316	392	392	392	500	500	500							
	k₉	65	95	95	95	110	110	130	160	160	196	196	196	160	160	160							
	o₉	135	180	180	180	212	212	263	320	320	394	394	394	528	528	528							
	p₉	67	90	90	90	106	106	132	160	160	197	197	197	264	264	264							
	w	70	70	70	70	105	105	105	160	160	160	160	160	200	200	200							
	x	100	108	108	108	147	147	147	184	184	184	184	184	320	320	320							
	o₁₀	17	17	17	17	17	17	27	39	39	39	39	39	142	142	142							
Housing	k₂	115	145	145	145	145	145	180	222	222	222	222	300	300	300	300							
Gearbox size	Gearbox					Total length																	
	o	o₁	p	p₁	a	k																	
GST 04	100	174	129	77	0	289	346	346															
GST 05	115	214	156	98	1	326	376	376	394	409	409												
GST 06	145	243	194	121	2			402		435	435	485											
GST 07	180	302	245	155	3				491	491	541	572	572										
GST 09	222	370	304	194	4						604	635	635	651	651								
GST 11	270	433	378	243	4							692	692	708	708	718	689	689	689				
GST 14	328	533	470	306	6									798	798		779	779	779				

Gearbox size	Solid shaft								Pitch circle					
	d	l	l₁	l₂	d₂	u	t	a₁	b₁ h7	e₁	f₁	i₁	s₁	
GST 04	20	40	5	28	M6	6	22.5	72	48	61	8	51	M5x10	
GST 05	25	50	4	40	M10	8	28	88	58	74	9	62	M6x12	
GST 06	30	60	6	45	M10	8	33	109	70	90	10	74	M8x14	
GST 07	40	80	7	63	M16	12	43	140	100	120	13	97	M10x18	
GST 09	50	100	8	80	M16	14	53.5	174	120	145	15	120	M12x20	
GST 11	60	120	8	100	M20	18	64	215	150	185	18	143	M16x26	
GST 14	80	160	15	125	M20	22	85	265	195	230	22	187	M20x34	

d ≤ 50 mm: k6
d ≥ 50 mm: m6

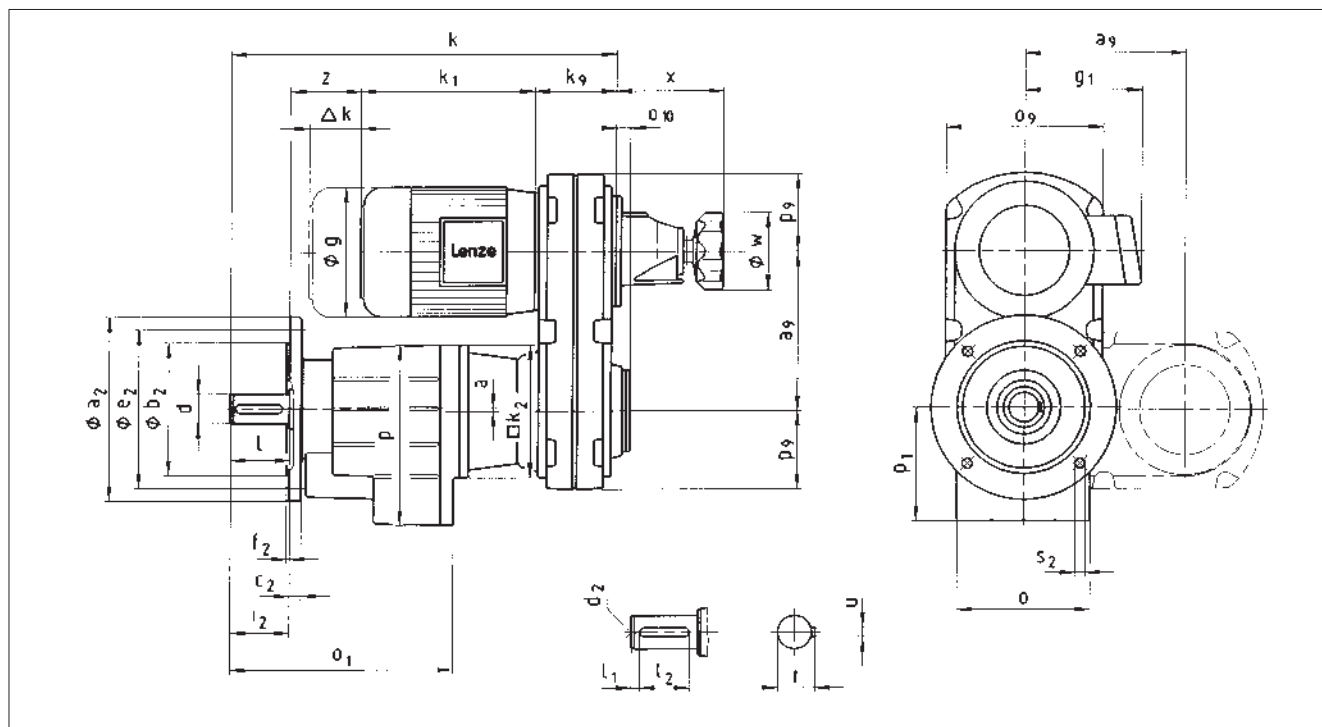
Dimensions in [mm]
Observe test dimension z! (see page 5-37)

Observe swivel positions for possible combinations!
(see page 5-15)



Compact units

Dimensions with helical gearboxes



Compact unit		Drive size																
GST □□ - 2 K VCK		071	080	090		100	112	132	160		180		200	225				
Motor position 6		-12 / -32	-12 / -32	-12 / -32		-12 / -32	-22 / -32	-22 / -32	-22	-32	-22		-32	-12 / -22				
		10B	13C	13C	13D	16D	16D	20E	25F	25F	31G	31G	31H	40H				
Motor	g	143	160	180	180	180	198	222	274	323	323	360	360	360	388	433		
	g₁ Without options	128	137	147	147	147	159	174	196	253	253	275	275	275	300	319		
	Brake motor	131	142	154	154	154	161	174	212	253	253	275	275	275	309	327		
	k₁	237	267	350	350	350	352	379	450	564	564	595	595	595	661	693		
	Δk Brake	54	36	48	48	48	75	80	63	120	120	122	122	122	167	148		
Variable speed drive	a_g	136	173	173	173	217	217	248	316	316	392	392	392	500	500	500		
	k₉	65	95	95	95	110	110	130	160	160	196	196	196	160	160			
	o₉	135	180	180	180	212	212	263	320	320	394	394	394	528	528			
	p₉	67	90	90	90	106	106	132	160	160	197	197	197	264	264			
	w	70	70	70	70	105	105	105	160	160	160	160	160	200	200			
	x	100	108	108	108	147	147	147	184	184	184	184	184	320	320			
	o₁₀	17	17	17	17	17	17	27	39	39	39	39	39	142	142			
	k₂	115	145	145	145	145	145	180	222	222	222	222	300	300	300			
Gearbox size	o	Total length																
	o₁	k																
	p																	
	p₁																	
	a																	
GST 04	100	174	129	77	0	289	346	346										
GST 05	115	214	156	98	1	326	376	376	394	409	409							
GST 06	145	243	194	121	2			402		435	435	485						
GST 07	180	302	245	155	3				491	491	491	541	572	572				
GST 09	222	370	304	194	4							604	635	635	651	651		
GST 11	270	433	378	243	4								692	692	708	708		
GST 14	328	533	470	306	6										798	798		
															718	689	689	689
															779	779	779	

Gearbox size	Solid shaft								Output flange						
	d	l	l ₁	l ₂	d ₂	u	t	a ₂	b ₂ j7	c ₂	e ₂	f ₂	i ₂	s ₂ 4 x 90°	
GST 04	20	40	5	28	M6	6	22.5	120	80	10	100	3	40	7	
								140	95		115	3		9	
								160	110		130	3.5		9	
GST 05	25	50	4	40	M10	8	28	120	80	10	100	3	50	7	
								140	95		115	3		9	
								160	110		130	3.5		9	
								200	130		165	3.5		11	
GST 06	30	60	6	45	M10	8	33	160	110	12	130	3.5	60	9	
								200	130		165	3.5		11	
GST 07	40	80	7	63	M16	12	43	200	130	14	165	3.5	80	11	
								250	180		215	4		14	
GST 09	50	100	8	80	M16	14	53.5	250	180	16	215	4	100	14	
								300	230		265	4		14	
GST 11	60	120	8	100	M20	18	64	300	230	18	265	4	120	14	
								350	250		300	5		18	
GST 14	80	160	15	125	M20	22	85	350	250	22	300	5	160	18	
								400	300		350	5		18	

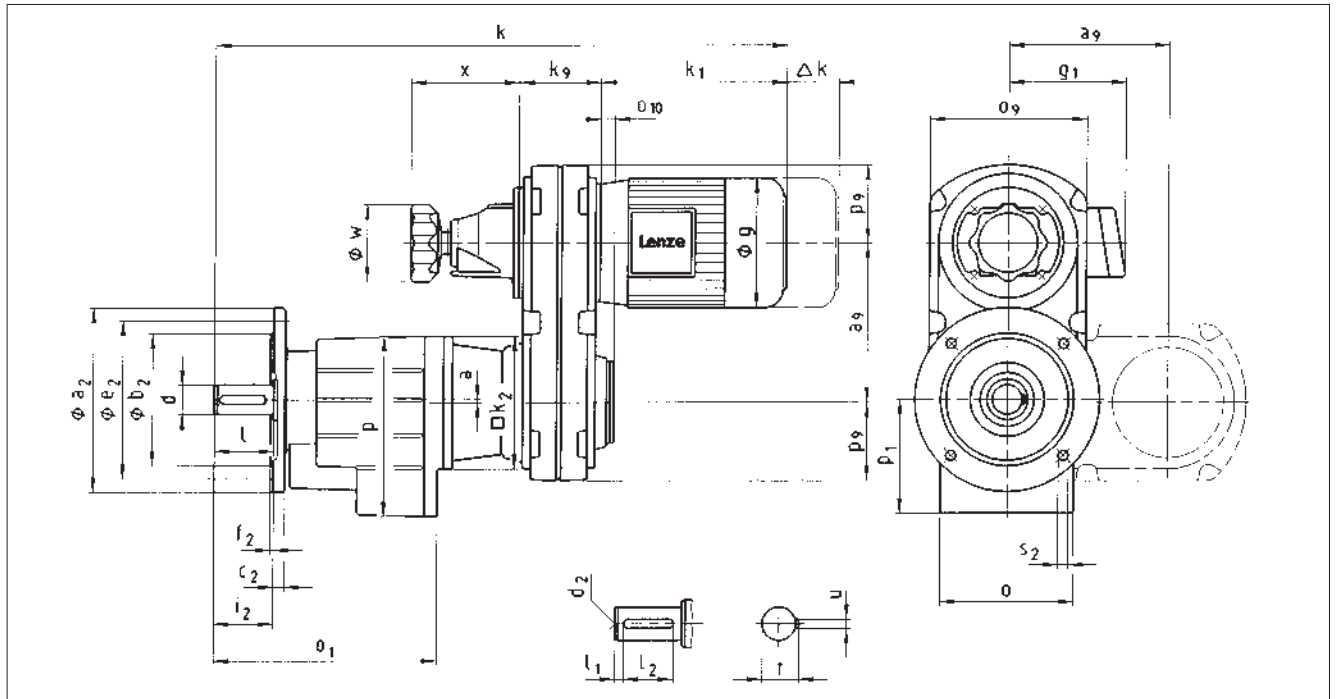
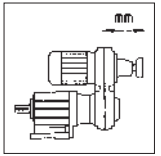
d ≤ 50 mm: k6
d ≥ 50 mm: m6

Dimensions in [mm]
Observe test dimension z! (see page 5-37)

Observe swivel positions for possible combinations!
(see page 5-15)

Compact units

Dimensions with helical gearboxes



Compact unit		Drive size												
GST □□ - 2 K VCK		071	080	090		100	112							
Motor position 1		-12 / -32	-12 / -32	-12 / -32	-12 / -32	-12 / -32	-22 / -32							
		10B	13C	13C	13D	16D	20E							
Motor	g	143	160	180	180	180	222							
	g₁ Without options	128	137	147	147	147	174							
	Brake motor	131	142	154	154	154	174							
	k₁	237	267	350	350	350	379							
	Δk Brake	54	36	48	48	48	80							
Variable speed drive	a₉	136	173	173	173	217	248							
	k₉	65	95	95	95	110	130							
	o₉	135	180	180	180	212	263							
	p₉	67	90	90	90	106	132							
	w	70	70	70	70	105	105							
	x	100	108	108	108	147	147							
	o₁₀	17	17	17	17	17	27							
Housing	k₂	115	145	145	145	145	180							
Gearbox size	Gearbox					Total length								
	o	o₁	p	p₁	a	k								
GST 04	100	174	129	77	0	526	613	696						
GST 05	115	214	156	98	1	563	643	726	744	759	761			
GST 06	145	243	194	121	2			752		785	787		864	
GST 07	180	302	245	155	3					841	843		920	
GST 09	222	370	304	194	4								983	

Gearbox size	Solid shaft								Output flange						
	d	l	l₁	l₂	d₂	u	t	a₂	b₂ j7	c₂	e₂	f₂	i₂	s₂ 4 x 90°	
GST 04	20	40	5	28	M6	6	22.5	120	80	10	100	3	40	7	
								140	95		115	3		9	
								160	110		130	3.5		9	
GST 05	25	50	4	40	M10	8	28	120	80	10	100	3	50	7	
								140	95	10	115	3		9	
								160	110	10	130	3.5		9	
								200	130	12	165	3.5		11	
GST 06	30	60	6	45	M10	8	33	160	110	12	130	3.5	60	9	
								200	130		165	11			
GST 07	40	80	7	63	M16	12	43	200	130	14	165	3.5	80	11	
								250	180		15	215		4	14
GST 09	50	100	8	80	M16	14	53.5	250	180	16	215	4	100	14	
								300	230		18	265		14	

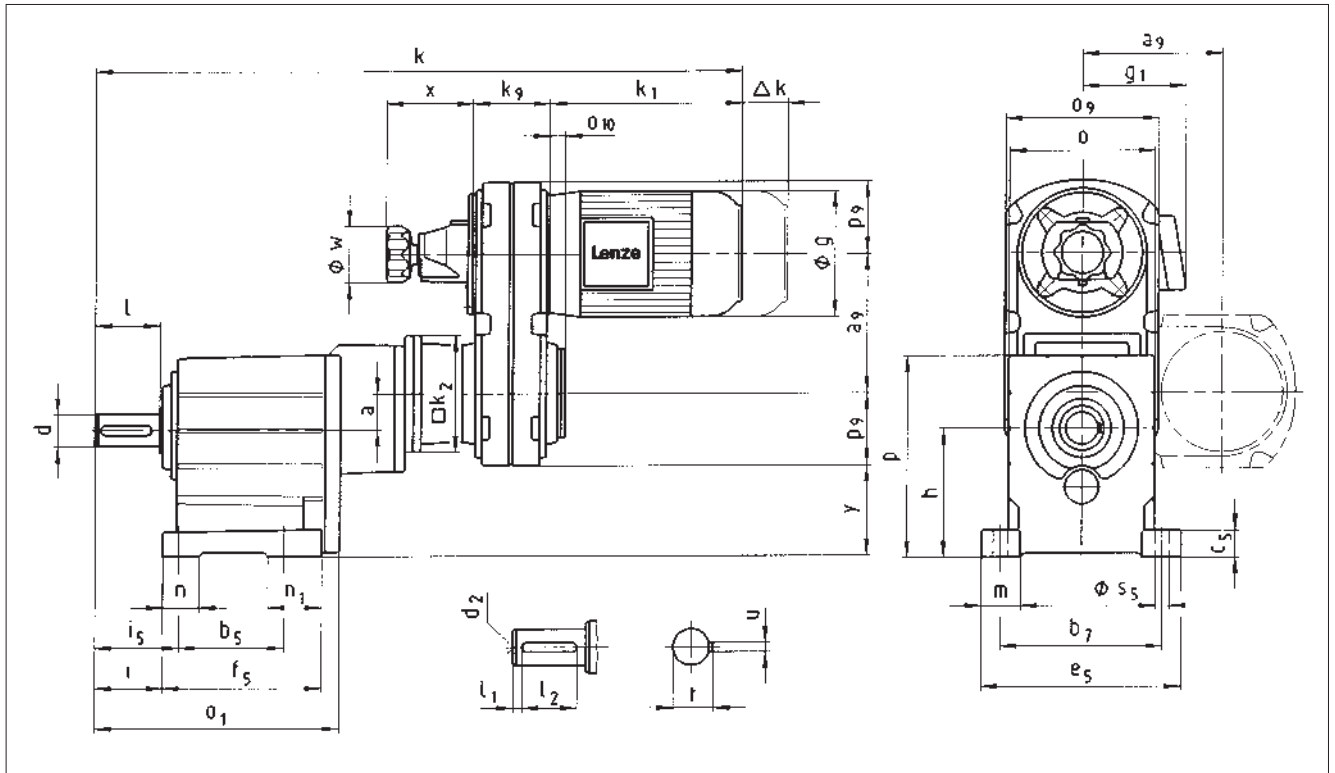
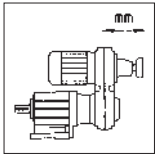
d ≤ 50 mm: k6
d ≥ 50 mm: m6

Dimensions in [mm]

Observe swivel positions for possible combinations!
(see page 5-15)

Compact units

Dimensions with helical gearboxes



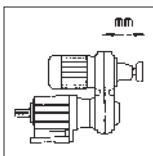
Compact unit GST □□ - 3 K VBR		Drive size																	
		071 -12 /-32 10B		080 -12 /-32 13C		090 -12 /-32			100 -12 /-32		112 -22 /-32								
Motor position 1		13C	13D	16D	16E	16D	16E	20E	20F										
Motor	g	143	160	180	180	180	180	198	198	222	222								
	g₁ Without options	128	137	147	147	147	147	159	159	174	174								
	Brake motor	131	142	154	154	154	154	161	161	174	174								
	k₁	237	267	350	350	350	350	352	352	379	379								
	Δk Brake	54	36	48	48	48	48	75	75	80	80								
Variable speed drive	a₉	136	173	173	173	217	217	217	217	248	248								
	k₉	65	95	95	95	110	110	110	110	130	130								
	o₉	135	180	180	180	212	212	212	212	263	263								
	p₉	67	90	90	90	106	106	106	106	132	132								
	w	70	70	70	70	105	105	105	105	105	105								
	x	100	108	108	108	147	147	147	147	147	147								
	o₁₀	17	17	17	17	17	17	17	17	17	27	27							
Housing	k₂	115	145	145	145	145	180	145	180	180	222								
Gearbox size	Gearbox					Total length													
	o	o₁	p	h	a	k													
GST 05	115	208	159	100	35	632	719												
GST 06	145	239.5	198	125	34	675	762	845											
GST 07	180	302	251	160	42	749	829	912	930	945		947							
GST 09	222	369.5	311	200	52		910	993	1011	1026		1028					1105	1106	
GST 11	270	432.5	385	250	66				1087	1102		1104					1181		
GST 14	328	532.5	479	315	83						1256		1258				1305		

Gearbox size	Solid shaft								Foot										
	d	l	l₁	l₂	d₂	u	t	b₅	b₇	c₅	e₅	f₅	i	i₅	m	n	n₁	s₅	
GST 05	25	50	4	40	M10	8	28	90	125	23	155	139	53	66	32.5	26	49	11	
GST 06	30	60	6	45	M10	8	33	106	160	28	196	157	64	79	38	35	52	13.5	
GST 07	40	80	7	63	M16	12	43	130	200	34	247	196	84	104	48.5	45	66	18	
GST 09	50	100	8	80	M16	14	53.5	165	245	44	298	239	105	127.5	54	48	74	18	
GST 11	60	120	8	100	M20	18	64	200	300	54	368	280	125	155	69	65	80	22	
GST 14	80	160	15	125	M20	22	85	250	380	65	460	340	165	200	85	85	91	26	

d ≤ 50 mm: k6
d ≥ 50 mm: m6

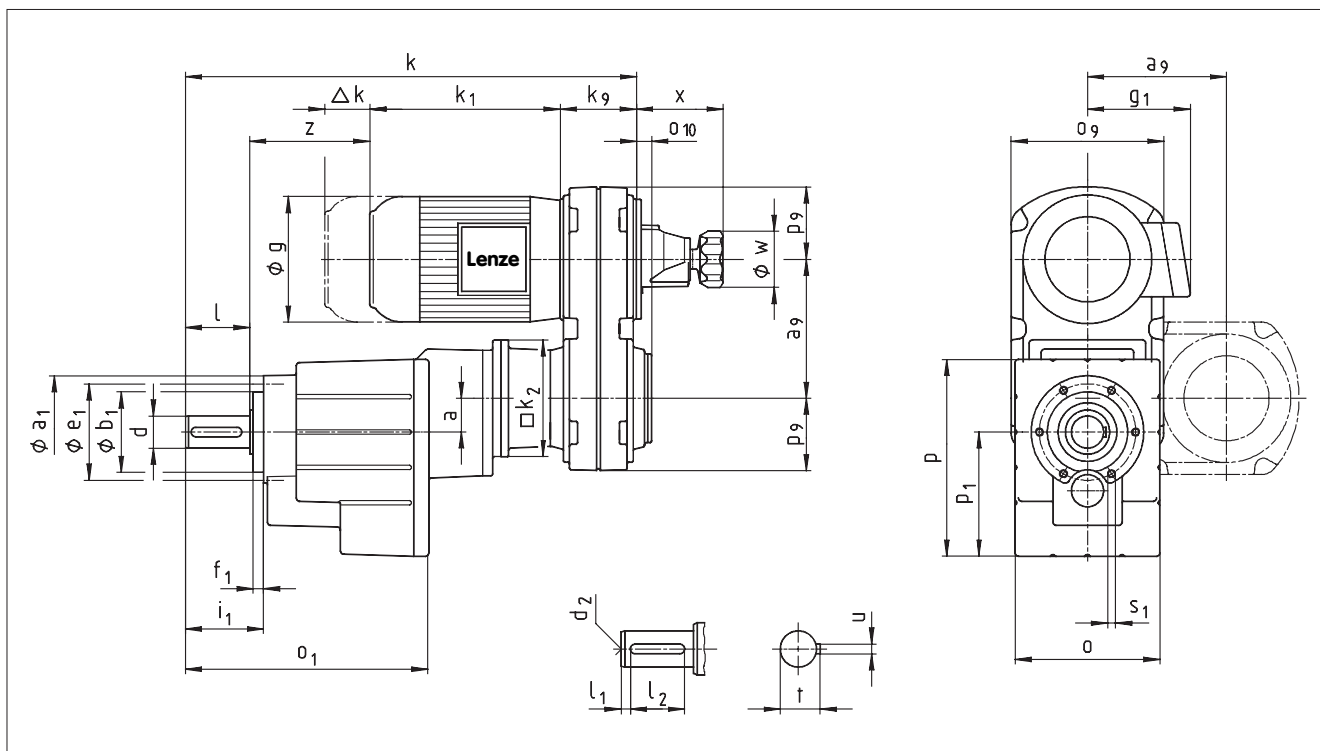
Dimensions in [mm]
Observe test dimension y! (see page 5-38)

Observe swivel positions for possible combinations!
(see page 5-16)



Compact units

Dimensions with helical gearboxes



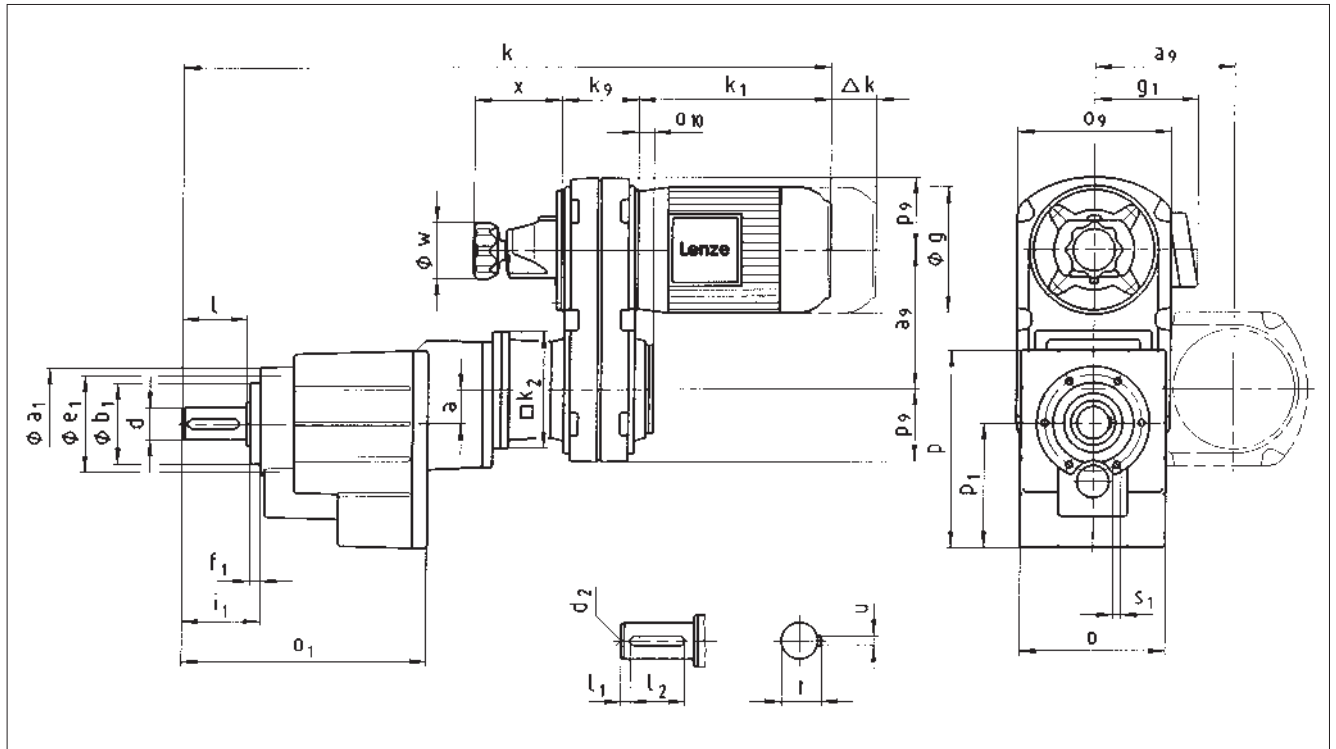
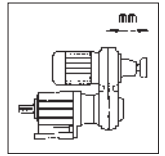
Compact unit		Drive size																		
GST □□ - 3 K VCR		071	080	090			100		112		132	160		180		200				
Motor position 6		-12/-32	-12/-32	-12/-32			-12/-32	-22/-32	-22/-32	-22/-32	-22	-32	-22	-32	-32	-32				
		10B	13C	13C	13D	16D	16E	16D	16E	20E	20F	25F	25F	31G	31G	40H	40H			
Motor	g	143	160	180	180	180	180	198	198	222	222	274	323	323	360	360	388			
	g₁	Without options		128	137	147	147	147	147	159	159	174	174	196	253	253	275	300		
		Brake motor		131	142	154	154	154	154	161	161	174	174	212	253	253	275	309		
	k₁	237	267	350	350	350	350	352	352	379	379	450	564	564	595	595	661			
Δk	Brake		54	36	48	48	48	48	75	75	80	80	63	120	120	122	167			
Variable speed drive	a₉	136	173	173	173	217	217	217	217	248	248	316	316	392	392	500	500			
	k₉	65	95	95	95	110	110	110	110	130	130	160	160	196	196	160	160			
	o₉	135	180	180	180	212	212	212	212	263	263	320	320	394	394	528	528			
	p₉	67	90	90	90	106	106	106	106	132	132	160	160	197	197	264	264			
	w	70	70	70	70	105	105	105	105	105	105	160	160	160	160	200	200			
	x	100	108	108	108	147	147	147	147	147	147	184	184	184	184	320	320			
	o₁₀	17	17	17	17	17	17	17	17	17	27	27	39	39	39	142	142			
Housing	k₂	115	145	145	145	145	180	145	180	180	222	222	222	222	300	300				
Gearbox size	Gearbox					Total length														
	o	o₁	p	p₁	a	k														
GST 05	115	208	156	98	35	395	452													
GST 06	145	240	194	121	34	438	495	495												
GST 07	180	302	245	155	42	512	562	562	580	595										
GST 09	222	370	304	194	52		643	643	661	676		676	726	727	757	757				
GST 11	270	433	378	243	66				737	752		752		802	833	833	849	849		
GST 14	328	533	470	306	83					906		906	926		957	957	973	973	954	954

Gearbox size	Solid shaft							Pitch circle						
	d	l	l₁	l₂	d₂	u	t	a₁	b₁ h7	e₁	f₁	i₁	s₁	
GST 05	25	50	4	40	M10	8	28	88	58	74	9	62	M6x12	
GST 06	30	60	6	45	M10	8	33	109	70	90	10	74	M8x14	
GST 07	40	80	7	63	M16	12	43	140	100	120	13	97	M10x18	
GST 09	50	100	8	80	M16	14	53.5	174	120	145	15	120	M12x20	
GST 11	60	120	8	100	M20	18	64	215	150	185	18	143	M16x26	
GST 14	80	160	15	125	M20	22	85	265	195	230	22	187	M20x34	

Dimensions in [mm] d ≤ 50mm: k6 Observe test dimension z and y! (see page 5-38)
d > 50mm: m6 Observe swivel positions for possible combinations! (see page 5-16)

Compact units

Dimensions with helical gearboxes



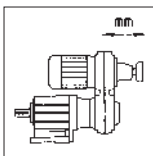
Compact unit GST □□ - 3 K VCR		Drive size											
		071 -12/-32		080 -12/-32		090 -12/-32			100 -12/-32		112 -22/-32		
Motor position 1		10B	13C	13C	13D	16D	16E	16D	16E	20E	20F		
Motor	g	143	160	180	180	180	180	198	198	222	222		
	g₁ Without options	128	137	147	147	147	147	159	159	174	174		
	Brake motor	131	142	154	154	154	154	161	161	174	174		
	k₁	237	267	350	350	350	350	352	352	379	379		
	Δk Brake	54	36	48	48	48	48	75	75	80	80		
Variable speed drive	a₉	136	173	173	173	217	217	217	217	248	248		
	k₉	65	95	95	95	110	110	110	110	130	130		
	o₉	135	180	180	180	212	212	212	212	263	263		
	p₉	67	90	90	90	106	106	106	106	132	132		
	w	70	70	70	70	105	105	105	105	105	105		
	x	100	108	108	108	147	147	147	147	147	147		
	o₁₀	17	17	17	17	17	17	17	17	27	27		
Housing	k₂	115	145	145	145	145	180	145	180	180	222		
Gearbox size	Gearbox					Total length							
	o	o₁	p	p₁	a	k							
GST 05	115	207.5	156	98	35	632	719						
GST 06	145	239.5	194	121	34	675	762	845					
GST 07	180	302	245	155	42	749	829	912	930	945	947		
GST 09	222	369.5	304	194	52		910	993	1011	1026	1028		
GST 11	270	432.5	378	243	66				1087	1102	1104		
GST 14	328	532.5	470	306	83						1256	1258	1305

Gearbox size	Solid shaft								Pitch circle					
	d	l	l ₁	l ₂	d ₂	u	t	a ₁	b ₁ h7	e ₁	f ₁	i ₁	s ₁	
GST 05	25	50	4	40	M10	8	28	88	58	74	9	62	M6x12	
GST 06	30	60	6	45	M10	8	33	109	70	90	10	74	M8x14	
GST 07	40	80	7	63	M16	12	43	140	100	120	13	97	M10x18	
GST 09	50	100	8	80	M16	14	53.5	174	120	145	15	120	M12x20	
GST 11	60	120	8	100	M20	18	64	215	150	185	18	143	M16x26	
GST 14	80	160	15	125	M20	22	85	265	195	230	22	187	M20x34	

d ≤ 50 mm: k6
d ≥ 50 mm: m6

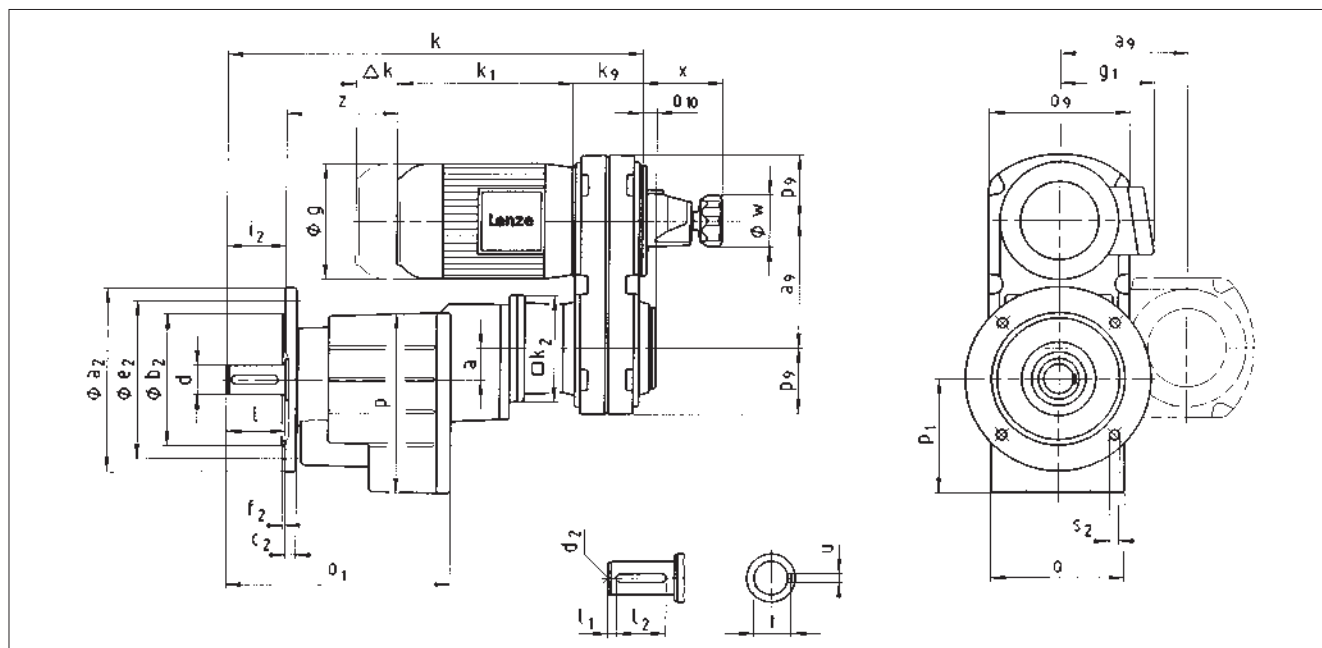
Dimensions in [mm]

Observe swivel positions for possible combinations!
(see page 5-16)



Compact units

Dimensions with helical gearboxes



Compact unit		Drive size																			
		071 -12/-32	080 -12/-32	090 -12/-32				100 -12/-32		112 -22/-32		132 -22/-32		160 -22/-32		180 -22/-32		200 -32			
GST □□ - 3 K VCK		10B	13C	13C	13D	16D	16E	16D	16E	20E	20F	25F	25F	31G	31G	40H	40H				
Motor	g	143	160	180	180	180	180	198	198	222	222	274	323	323	360	360	388				
	g ₁ Without options	128	137	147	147	147	147	159	159	174	174	196	253	253	275	275	300				
	g ₁ Brake motor	131	142	154	154	154	154	161	161	174	174	212	253	253	275	275	309				
	k ₁	237	267	350	350	350	350	352	352	379	379	450	564	564	595	595	661				
	Δk Brake	54	36	48	48	48	48	75	75	80	80	63	120	120	122	122	167				
Variable speed drive	a ₉	136	173	173	173	217	217	217	217	248	248	316	316	392	392	500	500				
	k ₉	65	95	95	95	110	110	110	110	130	130	160	160	196	196	160	160				
	o ₉	135	180	180	180	212	212	212	212	263	263	320	320	394	394	528	528				
	p ₉	67	90	90	90	106	106	106	106	132	132	160	160	197	197	264	264				
	w	70	70	70	70	105	105	105	105	105	105	160	160	160	160	200	200				
	x	100	108	108	108	147	147	147	147	147	147	184	184	184	184	320	320				
	o ₁₀	17	17	17	17	17	17	17	17	27	27	39	39	39	39	142	142				
Housing	k ₂	115	145	145	145	145	180	145	180	180	222	222	222	222	300	300					
Gearbox size	Gearbox					Total length k															
	o	o ₁	p	p ₁	a																
	GST 05	115	208	156	98	35	395	452													
	GST 06	145	240	194	121	34	438	495	495												
	GST 07	180	302	245	155	42	512	562	562	580	595										
	GST 09	222	370	304	194	52		643	643	661	676		676		726	727	757	757			
	GST 11	270	433	378	243	66					752		752		802		833	833	849	849	
GST 14	328	533	470	306	83						906		906	926		957	957	973	973	954	954

Gearbox size	Solid shaft								Output flange						
	d	l	l ₁	l ₂	d ₂	u	t	a ₂	b ₂ j7	c ₂	e ₂	f ₂	i ₂	s ₂ 4 x 90°	
GST 05	25	50	4	40	M10	8	28	120	80	10	100	3	50	7	
								140	95	10	115	3		9	
								160	110	10	130	3.5		9	
								200	130	12	165	3.5		11	
GST 06	30	60	6	45	M10	8	33	160	110	12	130	3.5	60	9	
								200	130		165			11	
GST 07	40	80	7	63	M16	12	43	200	130	14	165	3.5	80	11	
								250	180		15			215	4
GST 09	50	100	8	80	M16	14	53.5	250	180	16	215	4	100	14	
								300	230		18			265	14
GST 11	60	120	8	100	M20	18	64	300	230	18	265	4	120	14	
								350	250		20			300	5
GST 14	80	160	15	125	M20	22	85	350	250	22	300	5	160	18	
								400	300		24			350	18

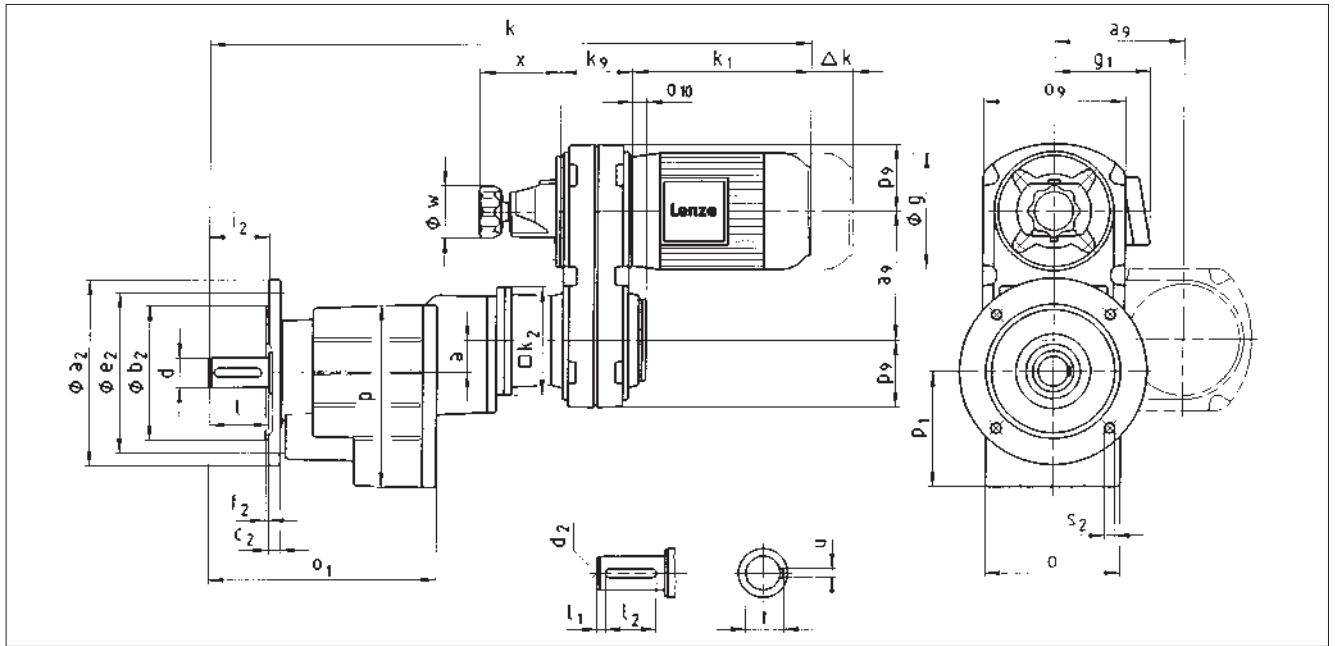
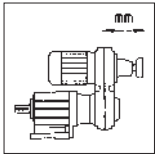
d ≤ 50 mm: k6
d ≥ 50 mm: m6

Dimensions in [mm]
Observe test dimension z! (see page 5-38)

Observe swivel positions for possible combinations!
(see page 5-16)

Compact units

Dimensions with helical gearboxes



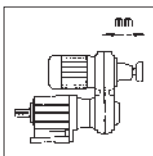
Compact unit		Drive size													
GST □ □ - 3 K VCK		071	080	090			100		112						
Motor position 1		-12/-32	-12/-32	-12/-32			-12/-32		-22/-32						
		10B	13C	13C	13D	16D	16E	16D	16E	20E	20F				
Motor	g	143	160	180	180	180	180	198	198	222	222				
	g1 Without options	128	137	147	147	147	147	159	159	174	174				
	Brake motor	131	142	154	154	154	154	161	161	174	174				
	k1	237	267	350	350	350	350	352	352	379	379				
	Δk Brake	54	36	48	48	48	48	75	75	80	80				
Variable speed drive	a9	136	173	173	173	217	217	217	217	248	248				
	k9	65	95	95	95	110	110	110	110	130	130				
	o9	135	180	180	180	212	212	212	212	263	263				
	p9	67	90	90	90	106	106	106	106	132	132				
	w	70	70	70	70	105	105	105	105	105	105				
	x	100	108	108	108	147	147	147	147	147	147				
	o10	17	17	17	17	17	17	17	17	27	27				
Housing	k2	115	145	145	145	145	180	145	180	180	222				
Gearbox size	o	Gearbox				Total length						k			
		o1	p	p1	a										
	GST 05	115	207.5	156	98	35	632	719							
	GST 06	145	239.5	194	121	34	675	762	845						
	GST 07	180	302	245	155	42	749	829	912	930	945		947		
	GST 09	222	369.5	304	194	52		910	993	1011	1026		1028	1105	1106
	GST 11	270	432.5	378	243	66					1102		1104		1181
GST 14	328	532.5	470	306	83						1256		1258	1305	

Gearbox size	Solid shaft							Output flange						
	d	l	l1	l2	d2	u	t	a2	b2 j7	c2	e2	f2	i2	s2 4 x 90°
GST 05	25	50	4	40	M10	8	28	120	80	10	100	3	50	7
								140	95	10	115	3		9
								160	110	10	130	3.5		9
								200	130	12	165	3.5		11
GST 06	30	60	6	45	M10	8	33	160	110	12	130	3.5	60	9
								200	130	12	165			11
GST 07	40	80	7	63	M16	12	43	200	130	14	165	3.5	80	11
								250	180	15	215			14
GST 09	50	100	8	80	M16	14	53.5	250	180	16	215	4	100	14
								300	230	18	265			14
GST 11	60	120	8	100	M20	18	64	300	230	18	265	4	120	14
								350	250	20	300			18
GST 14	80	160	15	125	M20	22	85	350	250	22	300	5	160	18
								400	300	24	350			18

d ≤ 50 mm: k6
d ≥ 50 mm: m6

Dimensions in [mm]

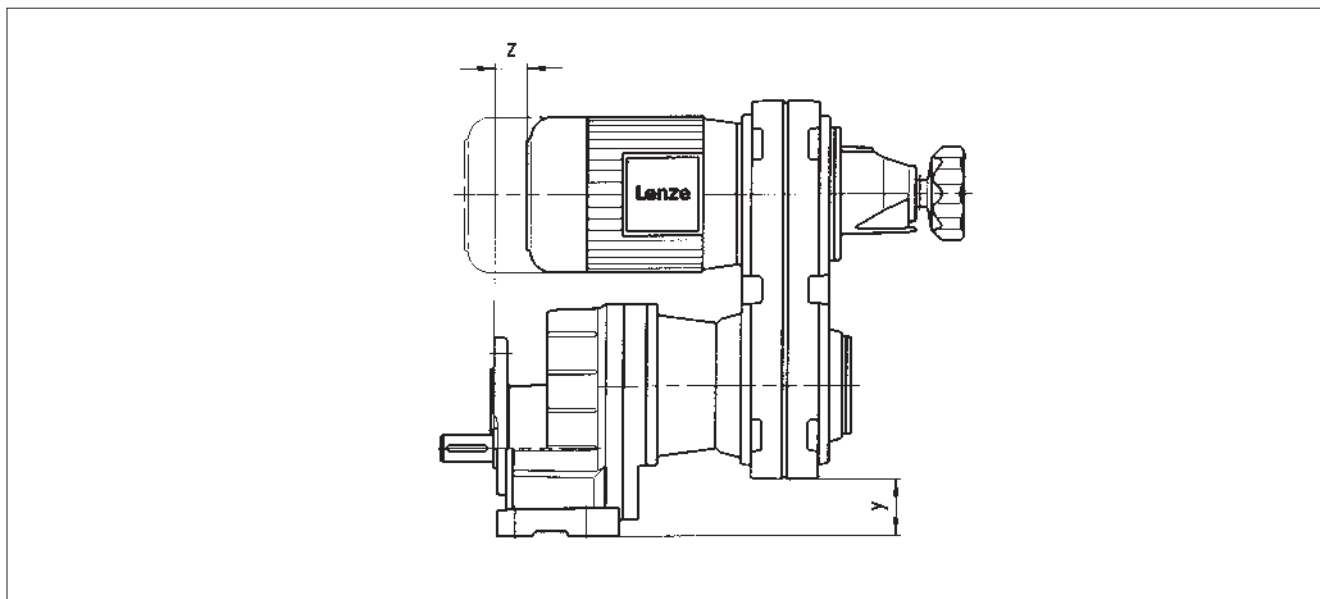
Observe swivel positions for possible combinations!
(see page 5-16)



Compact units

Dimensions with helical gearboxes

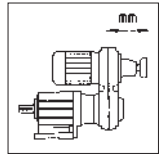
Test dimensions



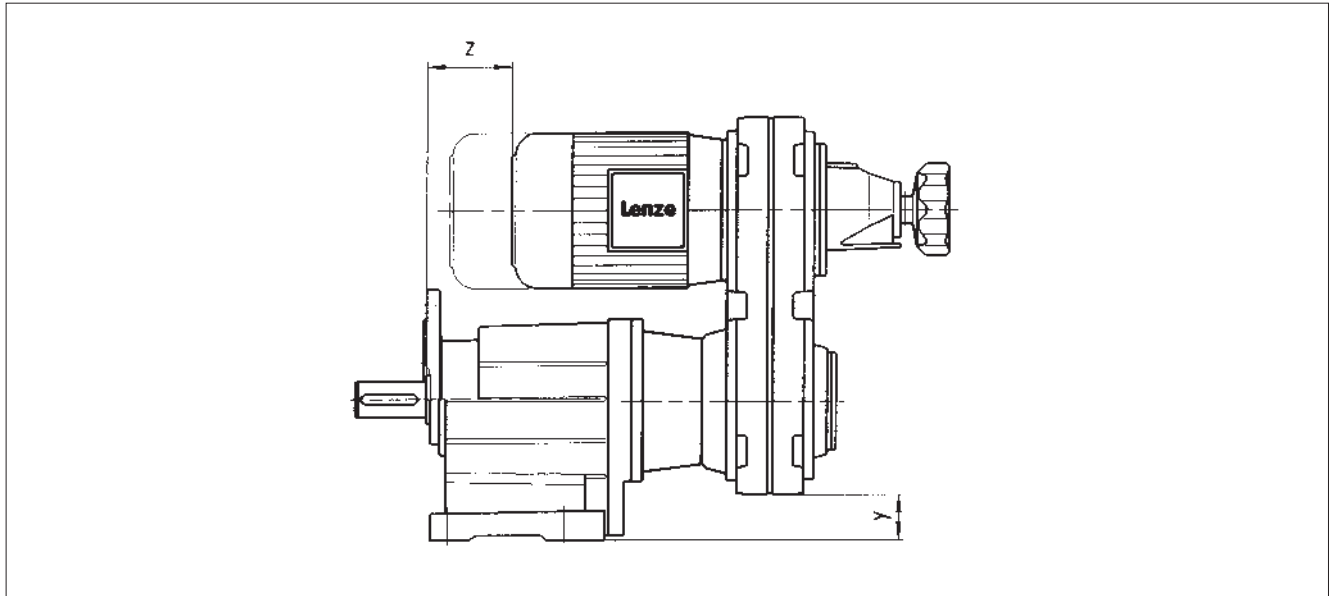
Compact unit GST □ □ - 1 K	Drive size														
	071 -12 / -32 10B	080 -12 / -32 13C	090 -12 / -32				100 -12 / -32		112 -22 / -32		132 -22 / -32		160 -22 / -32		180 -22
			13C	13D	16D	16E	16D	16E	20E	20F	25F	25G	25F	31G	31G
Gearbox size	Test dimension z														
GST 04	-88	-84	-167												
GST 05	-68	-71	-154	-136	-137		-139								
GST 06					-124	-94	-126	-96	-129						
GST 07					-105		-107	-77	-110	-109	-178		-292		
GST 09									-87		-155	-175	-269	-290	-321
	Test dimension y														
GST 04	19	-4	-4												
GST 05	41	18	18	18	2		2								
GST 06					30	30	30	30	4						
GST 07					64		64	64	38	38	10		10		
GST 09									82		54	54	54	17	17

Dimensions in [mm]

5

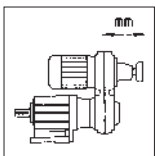


Test dimensions



Compact unit GST □□ - 2 K	Drive size														
	071 -12 / -32 10B	080 -12 / -32 13C	090 -12 / -32 13C 13D 16D		100 -12 / -32 16D	112 -22 / -32 20E	132 -22 / -32 25F	160 -22 -32 25F 31G		180 -22 -32 31G 31H 40H		200 -32 40H	225 -12 / -32 40H		
Gearbox size	Test dimension z														
GST 04	-54	-57	-140												
GST 05	-27	-37	-120	-102	-102	-104									
GST 06			-104		-86	-88	-85								
GST 07					-50	-52	-49	-119	-223						
GST 09							-6	-76	-190	-210	-241				
GST 11								-39	-153	-173	-204	-194	-187	-253	-285
GST 14										-123	-154		-137	-203	-235
	Test dimension Y														
GST 04	13	-10	-10												
GST 05	32	9	9	9	-7	-7									
GST 06			33		17	17	-9								
GST 07					51	51	25	-3	-3						
GST 09							64	36	36	-1	-1				
GST 11								86	86	49	49	49	-18	-18	-18
GST 14										112	112		45	45	45

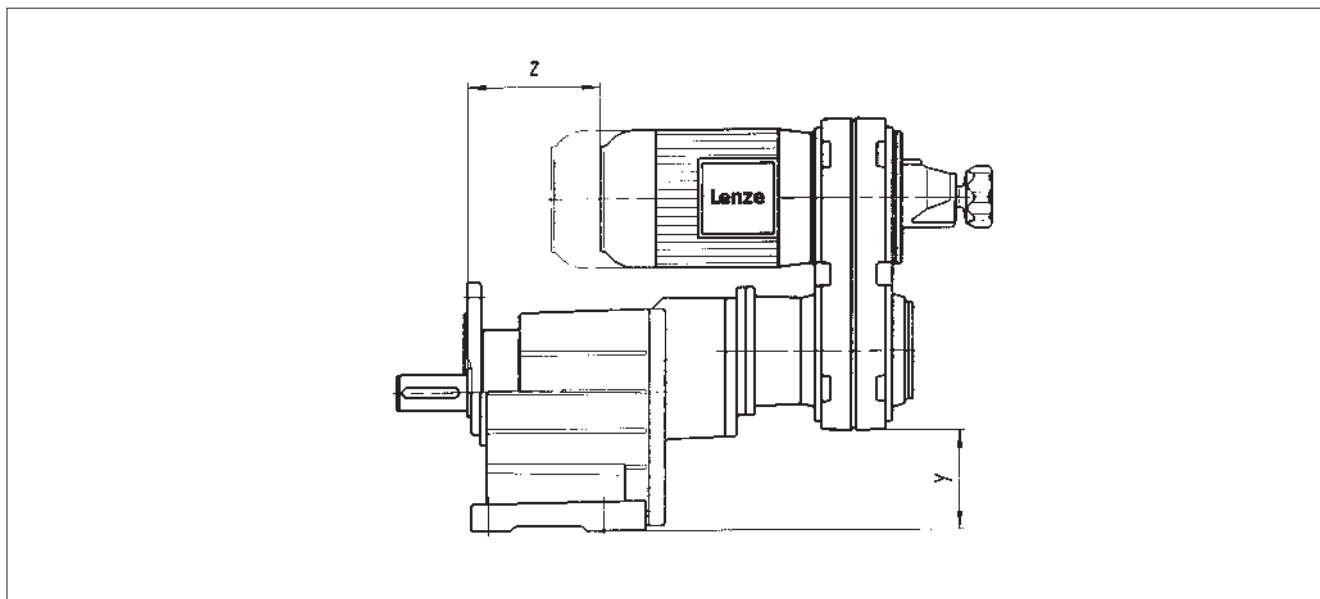
Dimensions in [mm]



Compact units

Dimensions with helical gearboxes

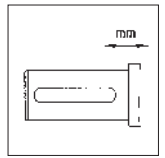
Test dimensions



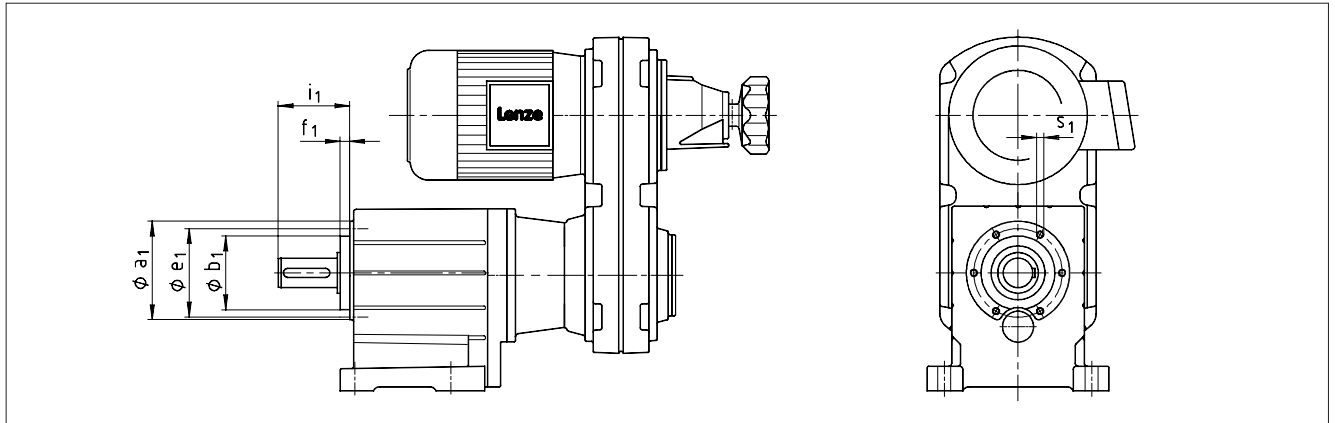
Compact unit GST □□ - 3 K □□□	Drive size															
	071 -12/-32	080 -12/-32	090 -12/-32				100 -12/-32		112 -22/-32		132 -22/-32		160 -22/-32		180 -22/-32	
	10B	13C	13C	13D	16D	16E	16D	16E	20E	20F	25F	25F	31G	31G	40H	40H
Gearbox size	Test dimension z															
GST 05	43	40														
GST 06	76	73	-10													
GST 07	130	120	37	55	55		53									
GST 09		181	98	116	116		114		117	118	47	-67				
GST 11				172	172		170		173		103	-11	-31	-62		
GST 14						286		284	257		187	73	53	22	39	-27
	Test dimension Y															
GST 05	69	46														
GST 06	92	69	69													
GST 07	135	112	112	112	96		96									
GST 09		162	162	162	146		146		120	120	92	92				
GST 11				226	210		210		184		156	156	119	119		
GST 14						292		292	266		238	238	201	201	134	134

Dimensions in [mm]

5

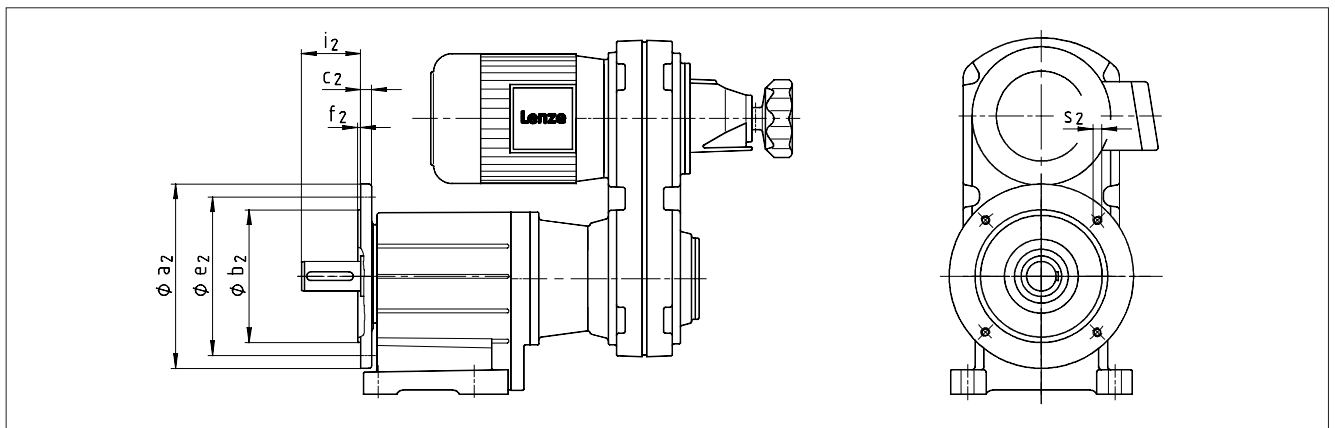


Output design VAR



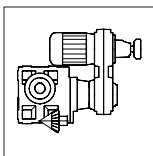
Gearbox size	a ₁	b ₁ h7	e ₁	f ₁	i ₁	s ₁ 6 x 60°
GST 04	72	48	61	8	51	M5x10
GST 05	88	58	74	9	62	M6x12
GST 06	109	70	90	10	74	M8x14
GST 07	140	100	120	13	97	M10x8
GST 09	174	120	145	15	120	M12x20
GST 11	215	150	185	18	143	M16x26
GST 14	265	195	230	22	187	M20x34

Output design VAL



Gearbox size	a ₂	b ₂ j7	c ₂	e ₂	f ₂	i ₂	s ₂ 4 x 90°
GST 04	120	80	10	100	3	40	M6
	140	95		115			M8
GST 05	120	80	10	100	3	50	M6
	140	95		115			M8
	160	110		130			3.5
GST 06	160	110	12	130	3.5	60	M8
	200	130		165			M10
GST 07	200	130	14	165	3.5	80	M10
	250	180	15	215	4		M12
GST 09	250	180	16	215	4	100	M12
	300	230	18	265			
GST 11	300	230	18	265	4	120	M12
	350	250	20	300			
GST 14	350	250	22	300	5	160	M16
	400	300	24	350			

Dimensions in [mm]



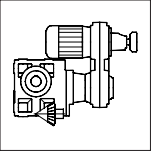
Compact units

Selection tables with helical-bevel gearboxes

P ₁	50 Hz		i	Compact unit	Dim. Page
	n ₂ [min ⁻¹]	M ₂ [Nm]			
0.25 kW				GKS □□ - 3K	5-56
	658 - 119	2.6 - 15	5.123	GKS04 - 3K □□□ 071-12 10B	
	479 - 87	3.6 - 21	7.025	GKS04 - 3K □□□ 071-12 10B	
	412 - 75	4.2 - 25	8.167	GKS04 - 3K □□□ 071-12 10B	
	375 - 68	4.6 - 27	8.991	GKS04 - 3K □□□ 071-12 10B	
	342 - 62	5.0 - 30	9.836	GKS04 - 3K □□□ 071-12 10B	
	287 - 52	6.0 - 35	11.730	GKS04 - 3K □□□ 071-12 10B	
	258 - 47	6.7 - 39	13.067	GKS04 - 3K □□□ 071-12 10B	
	235 - 43	7.3 - 43	14.333	GKS04 - 3K □□□ 071-12 10B	
	209 - 38	8.2 - 48	16.087	GKS04 - 3K □□□ 071-12 10B	
	188 - 34	9.1 - 54	17.920	GKS04 - 3K □□□ 071-12 10B	
	164 - 30	11 - 62	20.588	GKS04 - 3K □□□ 071-12 10B	
	150 - 27	12 - 68	22.522	GKS04 - 3K □□□ 071-12 10B	
	134 - 24	13 - 75	25.088	GKS04 - 3K □□□ 071-12 10B	
	117 - 21	15 - 86	28.727	GKS04 - 3K □□□ 071-12 10B	
	105 - 19	16 - 96	32.000	GKS04 - 3K □□□ 071-12 10B	
	96 - 17	18 - 106	35.191	GKS04 - 3K □□□ 071-12 10B	
	86 - 16	20 - 118	39.200	GKS04 - 3K □□□ 071-12 10B	
	76 - 14	23 - 133	44.240	GKS04 - 3K □□□ 071-12 10B	
	66 - 12	26 - 153	50.943	GKS04 - 3K □□□ 071-12 10B	
	59 - 11	29 - 171	56.976	GKS04 - 3K □□□ 071-12 10B	
	52 - 9.4	33 - 183	64.978	GKS04 - 3K □□□ 071-12 10B	
	47 - 8.4	37 - 190	72.210	GKS04 - 3K □□□ 071-12 10B	
	42 - 7.7	41 - 183	79.598	GKS04 - 3K □□□ 071-12 10B	
	37 - 6.7	46 - 190	90.491	GKS04 - 3K □□□ 071-12 10B	
	34 - 6.1	51 - 185	100.067	GKS04 - 3K □□□ 071-12 10B	
	30 - 5.5	57 - 170	111.467	GKS04 - 3K □□□ 071-12 10B	
	26 - 4.7	66 - 187	128.874	GKS04 - 3K □□□ 071-12 10B	
	24 - 4.2	73 - 172	143.556	GKS04 - 3K □□□ 071-12 10B	
	21 - 3.7	83 - 190	163.332	GKS04 - 3K □□□ 071-12 10B	
	19 - 3.4	93 - 174	181.939	GKS04 - 3K □□□ 071-12 10B	
	17 - 3.0	104 - 190	204.682	GKS04 - 3K □□□ 071-12 10B	
15 - 2.7	116 - 177	228.000	GKS04 - 3K □□□ 071-12 10B		
			GKS □□ - 4K	5-64	
35 - 6.4	48 - 169	95.238	GKS05 - 4K □□□ 071-12 10B		
29 - 5.3	58 - 250	114.987	GKS05 - 4K □□□ 071-12 10B		
27 - 4.8	64 - 284	126.933	GKS05 - 4K □□□ 071-12 10B		
23 - 4.2	74 - 250	146.667	GKS05 - 4K □□□ 071-12 10B		
21 - 3.8	81 - 284	161.905	GKS05 - 4K □□□ 071-12 10B		

Thermal limit not considered (see note on page 3-12)

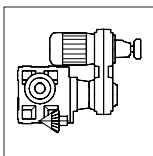
Marked in grey: Only swivel position 3 or 5 possible!



P ₁	50 Hz		i	Compact unit	Dim. Page
	n ₂ [min ⁻¹]	M ₂ [Nm]			
0.25 kW				GKS □□ - 4K	5-64
	18 - 3.3	93 - 325	185.547	GKS05 - 4K □□□ 071-12 10B	
	16 - 2.9	105 - 315	209.067	GKS05 - 4K □□□ 071-12 10B	
	15 - 2.7	113 - 250	225.867	GKS05 - 4K □□□ 071-12 10B	
	14 - 2.6	119 - 325	236.667	GKS05 - 4K □□□ 071-12 10B	
	12 - 2.1	145 - 325	289.917	GKS05 - 4K □□□ 071-12 10B	
	10 - 1.9	164 - 315	326.667	GKS05 - 4K □□□ 071-12 10B	
	9.2 - 1.7	183 - 325	364.467	GKS05 - 4K □□□ 071-12 10B	
	8.2 - 1.5	206 - 315	410.667	GKS05 - 4K □□□ 071-12 10B	
7.2 - 1.3	235 - 325	469.389	GKS05 - 4K □□□ 071-12 10B		
0.37 kW				GKS □□ - 3K	5-56
	658 - 119	3.9 - 16	5.123	GKS04 - 3K □□□ 071-32 10B	
	641 - 121	4.0 - 22	5.123	GKS04 - 3K □□□ 071-32 13C	
	479 - 87	5.3 - 21	7.025	GKS04 - 3K □□□ 071-32 10B	
	468 - 88	5.5 - 31	7.025	GKS04 - 3K □□□ 071-32 13C	
	412 - 75	6.2 - 25	8.167	GKS04 - 3K □□□ 071-32 10B	
	402 - 76	6.3 - 36	8.167	GKS04 - 3K □□□ 071-32 13C	
	334 - 63	7.6 - 43	9.836	GKS04 - 3K □□□ 071-32 13C	
	342 - 62	7.4 - 30	9.836	GKS04 - 3K □□□ 071-32 10B	
	258 - 47	9.9 - 40	13.067	GKS04 - 3K □□□ 071-32 10B	
	251 - 47	10 - 57	13.067	GKS04 - 3K □□□ 071-32 13C	
	209 - 38	12 - 49	16.087	GKS04 - 3K □□□ 071-32 10B	
	204 - 39	13 - 70	16.087	GKS04 - 3K □□□ 071-32 13C	
	160 - 30	16 - 90	20.588	GKS04 - 3K □□□ 071-32 13C	
	164 - 30	16 - 62	20.588	GKS04 - 3K □□□ 071-32 10B	
	131 - 25	19 - 110	25.088	GKS04 - 3K □□□ 071-32 13C	
	134 - 24	19 - 76	25.088	GKS04 - 3K □□□ 071-32 10B	
	103 - 19	25 - 140	32.000	GKS04 - 3K □□□ 071-32 13C	
	105 - 19	24 - 97	32.000	GKS04 - 3K □□□ 071-32 10B	
	84 - 16	30 - 168	39.200	GKS04 - 3K □□□ 071-32 13C	
	86 - 16	30 - 119	39.200	GKS04 - 3K □□□ 071-32 10B	
	65 - 12	40 - 182	50.943	GKS04 - 3K □□□ 071-32 13C	
	66 - 12	39 - 154	50.943	GKS04 - 3K □□□ 071-32 10B	
	51 - 9.5	50 - 183	64.978	GKS04 - 3K □□□ 071-32 13C	
	52 - 9.4	49 - 183	64.978	GKS04 - 3K □□□ 071-32 10B	
	41 - 7.8	62 - 183	79.598	GKS04 - 3K □□□ 071-32 13C	
	42 - 7.7	60 - 183	79.598	GKS04 - 3K □□□ 071-32 10B	
	33 - 6.2	78 - 185	100.067	GKS04 - 3K □□□ 071-32 13C	
	34 - 6.1	76 - 185	100.067	GKS04 - 3K □□□ 071-32 10B	
	26 - 4.8	100 - 187	128.874	GKS04 - 3K □□□ 071-32 13C	
	26 - 4.7	97 - 187	128.874	GKS04 - 3K □□□ 071-32 10B	
	21 - 3.7	123 - 190	163.332	GKS04 - 3K □□□ 071-32 10B	
	20 - 3.9	125 - 635	161.029	GKS06 - 3K □□□ 071-32 13C	
	16 - 2.9	164 - 314	211.200	GKS05 - 3K □□□ 071-32 13C	
	13 - 2.4	199 - 313	256.320	GKS05 - 3K □□□ 071-32 13C	
	10.0 - 1.9	255 - 635	328.500	GKS06 - 3K □□□ 071-32 13C	

Thermal limit not considered (see note on page 3-12)

Marked in grey: Only swivel position 3 or 5 possible!



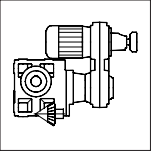
Compact units

Selection tables with helical-bevel gearboxes

P ₁	50 Hz		i	Compact unit	Dim. Page
	n ₂ [min ⁻¹]	M ₂ [Nm]			
0.37 kW	8.1 - 1.5	311 - 702	408.000	GKS □□ - 4K GKS06 - 4K □□□ 071-32 13C	5-64
	6.4 - 1.2	394 - 1320	516.810	GKS07 - 4K □□□ 071-32 13C	
	5.1 - 1.0	488 - 702	640.800	GKS06 - 4K □□□ 071-32 13C	
	4.0 - 0.8	628 - 1330	823.810	GKS07 - 4K □□□ 071-32 13C	
	3.3 - 0.6	762 - 1330	999.806	GKS07 - 4K □□□ 071-32 13C	
	2.9 - 0.6	859 - 1215	1126.542	GKS07 - 4K □□□ 071-32 13C	
	0.55 kW			GKS □□ - 3K	
641 - 121	5.9 - 33	5.123	GKS04 - 3K □□□ 080-12 13C		
468 - 88	8.1 - 46	7.025	GKS04 - 3K □□□ 080-12 13C		
402 - 76	9.4 - 53	8.167	GKS04 - 3K □□□ 080-12 13C		
334 - 63	11 - 64	9.836	GKS04 - 3K □□□ 080-12 13C		
251 - 47	15 - 85	13.067	GKS04 - 3K □□□ 080-12 13C		
204 - 39	19 - 104	16.087	GKS04 - 3K □□□ 080-12 13C		
160 - 30	24 - 134	20.588	GKS04 - 3K □□□ 080-12 13C		
131 - 25	29 - 163	25.088	GKS04 - 3K □□□ 080-12 13C		
103 - 19	37 - 167	32.000	GKS04 - 3K □□□ 080-12 13C		
84 - 16	45 - 168	39.200	GKS04 - 3K □□□ 080-12 13C		
65 - 12	59 - 182	50.943	GKS04 - 3K □□□ 080-12 13C		
51 - 9.5	75 - 183	64.978	GKS04 - 3K □□□ 080-12 13C		
41 - 7.8	92 - 183	79.598	GKS04 - 3K □□□ 080-12 13C		
33 - 6.2	115 - 185	100.067	GKS04 - 3K □□□ 080-12 13C		
26 - 4.8	144 - 187	128.874	GKS04 - 3K □□□ 080-12 13C		
20 - 3.9	186 - 635	161.029	GKS06 - 3K □□□ 080-12 13C		
17 - 3.3	219 - 702	190.080	GKS06 - 3K □□□ 080-12 13C		
14 - 2.7	266 - 702	230.688	GKS06 - 3K □□□ 080-12 13C		
13 - 2.4	300 - 635	259.880	GKS06 - 3K □□□ 080-12 13C		
10.0 - 1.9	379 - 635	328.500	GKS06 - 3K □□□ 080-12 13C		
			GKS □□ - 4K	5-64	
20 - 3.8	183 - 284	161.905	GKS05 - 4K □□□ 080-12 13C		
16 - 3.0	237 - 315	209.067	GKS05 - 4K □□□ 080-12 13C		
13 - 2.5	286 - 702	252.000	GKS06 - 4K □□□ 080-12 13C		
10 - 2.0	359 - 702	316.800	GKS06 - 4K □□□ 080-12 13C		
8.1 - 1.5	462 - 702	408.000	GKS06 - 4K □□□ 080-12 13C		
5.2 - 1.0	721 - 1330	636.581	GKS07 - 4K □□□ 080-12 14D		
0.75 kW			GKS □□ - 3K	5-56	
632 - 119	8.2 - 38	5.123	GKS04 - 3K □□□ 080-32 13C		
461 - 87	11 - 51	7.025	GKS04 - 3K □□□ 080-32 13C		
397 - 75	13 - 60	8.167	GKS04 - 3K □□□ 080-32 13C		

Thermal limit not considered (see note on page 3-12)

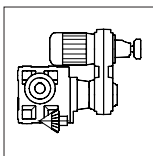
Marked in grey: Only swivel position 3 or 5 possible!



P ₁	50 Hz		i	Compact unit	Dim. Page
	n ₂ [min ⁻¹]	M ₂ [Nm]			
0.75 kW				GKS □□ - 3K	5-56
	329 - 62	16 - 72	9.836	GKS04 - 3K □□□ 080-32 13C	
	248 - 47	21 - 96	13.067	GKS04 - 3K □□□ 080-32 13C	
	201 - 38	26 - 118	16.087	GKS04 - 3K □□□ 080-32 13C	
	157 - 30	33 - 151	20.588	GKS04 - 3K □□□ 080-32 13C	
	129 - 24	40 - 167	25.088	GKS04 - 3K □□□ 080-32 13C	
	101 - 19	51 - 167	32.000	GKS04 - 3K □□□ 080-32 13C	
	83 - 16	63 - 168	39.200	GKS04 - 3K □□□ 080-32 13C	
	64 - 12	81 - 182	50.943	GKS04 - 3K □□□ 080-32 13C	
	50 - 9.4	104 - 183	64.978	GKS04 - 3K □□□ 080-32 13C	
	41 - 7.7	127 - 183	79.598	GKS04 - 3K □□□ 080-32 13C	
	30 - 5.7	171 - 331	107.196	GKS05 - 3K □□□ 080-32 13C	
	25 - 4.7	207 - 331	130.097	GKS05 - 3K □□□ 080-32 13C	
	20 - 3.8	257 - 635	161.029	GKS06 - 3K □□□ 080-32 13C	
	15 - 2.9	341 - 635	214.133	GKS06 - 3K □□□ 080-32 13C	
	13 - 2.4	414 - 635	259.880	GKS06 - 3K □□□ 080-32 13C	
	10 - 1.9	509 - 1215	319.091	GKS07 - 3K □□□ 080-32 14D	
				GKS □□ - 4K	5-64
	31 - 5.9	163 - 685	103.721	GKS06 - 4K □□□ 080-32 13C	
	26 - 4.8	199 - 284	126.933	GKS05 - 4K □□□ 080-32 13C	
21 - 3.9	244 - 689	155.647	GKS06 - 4K □□□ 080-32 13C		
16 - 3.0	318 - 695	202.588	GKS06 - 4K □□□ 080-32 13C		
13 - 2.4	395 - 702	252.000	GKS06 - 4K □□□ 080-32 13C		
10 - 1.9	497 - 702	316.800	GKS06 - 4K □□□ 080-32 13C		
8.1 - 1.5	626 - 1320	399.353	GKS07 - 4K □□□ 080-32 14D		
5.1 - 1.0	998 - 1330	636.581	GKS07 - 4K □□□ 080-32 14D		
1.1 kW				GKS □□ - 3K	5-56
	482 - 91	16 - 50	6.863	GKS05 - 3K □□□ 090-12 14D	
	352 - 66	22 - 69	9.412	GKS05 - 3K □□□ 090-12 14D	
	313 - 59	24 - 77	10.569	GKS05 - 3K □□□ 090-12 14D	
	251 - 47	30 - 96	13.176	GKS05 - 3K □□□ 090-12 14D	
	207 - 39	37 - 117	16.000	GKS05 - 3K □□□ 090-12 14D	
	172 - 33	44 - 141	19.216	GKS05 - 3K □□□ 090-12 14D	
	126 - 24	60 - 193	26.353	GKS05 - 3K □□□ 090-12 14D	
	101 - 19	75 - 240	32.744	GKS05 - 3K □□□ 090-12 14D	
	79 - 15	96 - 306	41.765	GKS05 - 3K □□□ 090-12 14D	
	65 - 12	117 - 331	51.162	GKS05 - 3K □□□ 090-12 14D	
	50 - 9.4	152 - 331	66.592	GKS05 - 3K □□□ 090-12 14D	
	40 - 7.5	190 - 331	82.833	GKS05 - 3K □□□ 090-12 14D	

Thermal limit not considered (see note on page 3-12)

Marked in grey: Only swivel position 3 or 5 possible!



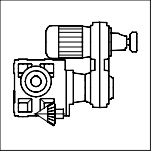
Compact units

Selection tables with helical-bevel gearboxes

P ₁	50 Hz		i	Compact unit	Dim. Page
	n ₂ [min ⁻¹]	M ₂ [Nm]			
1.1 kW				GKS □□ - 3K	5-56
	35 - 6.7	214 - 315	93.333	GKS05 - 3K □□□ 090-12 14D	
	34 - 5.5	240 - 635	104.967	GKS06 - 3K □□□ 090-12 16D	
	32 - 6.0	240 - 635	104.967	GKS06 - 3K □□□ 090-12 14D	
	28 - 4.6	291 - 635	127.392	GKS06 - 3K □□□ 090-12 16D	
	26 - 4.9	292 - 635	127.392	GKS06 - 3K □□□ 090-12 14D	
	21 - 3.9	362 - 1159	158.364	GKS07 - 3K □□□ 090-12 14D	
	17 - 2.7	477 - 635	214.133	GKS06 - 3K □□□ 090-12 16D	
	16 - 2.9	488 - 635	214.133	GKS06 - 3K □□□ 090-12 14D	
	15 - 2.5	527 - 702	230.688	GKS06 - 3K □□□ 090-12 16D	
	14 - 2.7	528 - 702	230.688	GKS06 - 3K □□□ 090-12 14D	
	13 - 2.5	578 - 1215	252.436	GKS07 - 3K □□□ 090-12 14D	
	10 - 2.0	730 - 1215	319.091	GKS07 - 3K □□□ 090-12 14D	
				GKS □□ - 4K	
	14 - 2.4	555 - 1320	246.659	GKS07 - 4K □□□ 090-12 16D	
	13 - 2.1	614 - 1053	273.199	GKS07 - 4K □□□ 090-12 16D	
	11 - 1.8	722 - 1320	321.049	GKS07 - 4K □□□ 090-12 16D	
	8.9 - 1.5	898 - 1320	399.353	GKS07 - 4K □□□ 090-12 16D	
	8.3 - 1.6	898 - 1320	399.353	GKS07 - 4K □□□ 090-12 14D	
	6.8 - 1.1	1170 - 3031	520.538	GKS09 - 4K □□□ 090-12 16D	
5.6 - 0.9	1420 - 3031	631.744	GKS09 - 4K □□□ 090-12 16D		
4.3 - 0.7	1838 - 3031	817.551	GKS09 - 4K □□□ 090-12 16D		
3.6 - 0.6	2231 - 3031	992.209	GKS09 - 4K □□□ 090-12 16D		
1.5 kW				GKS □□ - 3K	5-56
	486 - 92	21 - 50	6.863	GKS05 - 3K □□□ 090-32 14D	
	354 - 67	29 - 69	9.412	GKS05 - 3K □□□ 090-32 14D	
	315 - 60	33 - 77	10.569	GKS05 - 3K □□□ 090-32 14D	
	253 - 48	41 - 96	13.176	GKS05 - 3K □□□ 090-32 14D	
	208 - 39	50 - 117	16.000	GKS05 - 3K □□□ 090-32 14D	
	173 - 33	60 - 141	19.216	GKS05 - 3K □□□ 090-32 14D	
	126 - 24	82 - 193	26.353	GKS05 - 3K □□□ 090-32 14D	
	102 - 19	102 - 240	32.744	GKS05 - 3K □□□ 090-32 14D	
	80 - 15	129 - 306	41.765	GKS05 - 3K □□□ 090-32 14D	
	65 - 12	159 - 331	51.162	GKS05 - 3K □□□ 090-32 14D	
	50 - 9.4	206 - 331	66.592	GKS05 - 3K □□□ 090-32 14D	
	40 - 7.6	254 - 331	82.833	GKS05 - 3K □□□ 090-32 14D	
	38 - 6.3	289 - 702	93.176	GKS06 - 3K □□□ 090-32 16D	
	36 - 6.8	289 - 682	93.176	GKS06 - 3K □□□ 090-32 14D	
	34 - 5.6	325 - 635	104.967	GKS06 - 3K □□□ 090-32 16D	
	32 - 6.0	325 - 635	104.967	GKS06 - 3K □□□ 090-32 14D	
	28 - 4.6	395 - 635	127.392	GKS06 - 3K □□□ 090-32 16D	
	26 - 4.9	395 - 635	127.392	GKS06 - 3K □□□ 090-32 14D	
	21 - 4.0	491 - 1159	158.364	GKS07 - 3K □□□ 090-32 14D	

Thermal limit not considered (see note on page 3-12)

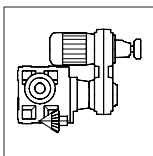
Marked in grey: Only swivel position 3 or 5 possible!



P ₁	50 Hz		i	Compact unit	Dim. Page	
	n ₂ [min ⁻¹]	M ₂ [Nm]				
1.5 kW				GKS □□ - 3K	5-56	
	16 - 3.0	645 - 1215	208.000	GKS07 - 3K □□□ 090-32 14D		
	13 - 2.5	782 - 1215	252.436	GKS07 - 3K □□□ 090-32 14D	5-64	
				GKS □□ - 4K		
	23 - 3.8	471 - 1300	154.622	GKS07 - 4K □□□ 090-32 16D		
	18 - 2.9	613 - 1310	201.254	GKS07 - 4K □□□ 090-32 16D		
	15 - 2.4	751 - 1320	246.659	GKS07 - 4K □□□ 090-32 16D		
	11 - 1.8	977 - 1320	321.049	GKS07 - 4K □□□ 090-32 16D		
	10 - 2.0	978 - 1320	321.049	GKS07 - 4K □□□ 090-32 14D		
	8.9 - 1.5	1225 - 3031	402.234	GKS09 - 4K □□□ 090-32 16D		
	6.9 - 1.1	1585 - 3031	520.538	GKS09 - 4K □□□ 090-32 16D		
	5.6 - 0.9	1923 - 3031	631.744	GKS09 - 4K □□□ 090-32 16D		
	5.0 - 0.8	2167 - 3080	711.965	GKS09 - 4K □□□ 090-32 16D		
2.2 kW				GKS □□ - 3K	5-56	
	512 - 84	32 - 118	6.863	GKS05 - 3K □□□ 100-12 16D		
	374 - 61	43 - 162	9.412	GKS05 - 3K □□□ 100-12 16D		
	333 - 55	49 - 182	10.569	GKS05 - 3K □□□ 100-12 16D		
	267 - 44	61 - 165	13.176	GKS05 - 3K □□□ 100-12 16D		
	220 - 36	74 - 275	16.000	GKS05 - 3K □□□ 100-12 16D		
	183 - 30	89 - 297	19.216	GKS05 - 3K □□□ 100-12 16D		
	133 - 22	121 - 298	26.353	GKS05 - 3K □□□ 100-12 16D		
	107 - 18	151 - 331	32.744	GKS05 - 3K □□□ 100-12 16D		
	84 - 14	192 - 331	41.765	GKS05 - 3K □□□ 100-12 16D		
	69 - 11	236 - 331	51.162	GKS05 - 3K □□□ 100-12 16D		
	54 - 8.8	300 - 624	65.207	GKS06 - 3K □□□ 100-12 16D		
	43 - 7.1	374 - 630	81.111	GKS06 - 3K □□□ 100-12 16D		
	34 - 5.5	478 - 635	104.967	GKS06 - 3K □□□ 100-12 16D		
	28 - 4.6	583 - 1215	126.578	GKS07 - 3K □□□ 100-12 16D		
	29 - 4.4	564 - 1215	126.578	GKS07 - 3K □□□ 100-12 20E		
	22 - 3.6	730 - 1215	158.364	GKS07 - 3K □□□ 100-12 16D		
	23 - 3.5	706 - 1215	158.364	GKS07 - 3K □□□ 100-12 20E		
	17 - 2.8	915 - 1215	208.000	GKS07 - 3K □□□ 100-12 16D		
	17 - 2.7	906 - 1215	208.000	GKS07 - 3K □□□ 100-12 20E		
	15 - 2.2	1110 - 3080	248.930	GKS09 - 3K □□□ 100-12 20E		
	12 - 1.8	1403 - 3080	314.659	GKS09 - 3K □□□ 100-12 20E		
				GKS □□ - 4K		5-64
	14 - 2.3	1125 - 3031	248.439	GKS09 - 4K □□□ 100-12 16D		
	15 - 2.2	1089 - 3031	248.439	GKS09 - 4K □□□ 100-12 20E		
	11 - 1.8	1464 - 3031	323.365	GKS09 - 4K □□□ 100-12 16D		
	11 - 1.7	1417 - 3031	323.365	GKS09 - 4K □□□ 100-12 20E		
8.7 - 1.4	1822 - 3031	402.234	GKS09 - 4K □□□ 100-12 16D			
9.0 - 1.4	1763 - 3031	402.234	GKS09 - 4K □□□ 100-12 20E			

Thermal limit not considered (see note on page 3-12)

Marked in grey: Only swivel position 3 or 5 possible!



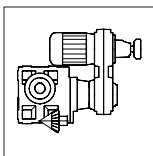
Compact units

Selection tables with helical-bevel gearboxes

P ₁	50 Hz		i	Compact unit	Dim. Page	
	n ₂ [min ⁻¹]	M ₂ [Nm]				
2.2kw				GKS □□ - 4K	5-64	
	6.8 - 1.1	2282 - 3031	520.538	GKS09 - 4K □□□ 100-12 16D		
	7.0 - 1.1	2259 - 3031	520.538	GKS09 - 4K □□□ 100-12 20E		
	5.8 - 0.9	2725 - 5975	621.619	GKS11 - 4K □□□ 100-12 20E		
	4.4 - 0.7	3579 - 5975	816.455	GKS11 - 4K □□□ 100-12 20E		
	3.7 - 0.6	4343 - 5975	990.879	GKS11 - 4K □□□ 100-12 20E		
3 kW				GKS □□ - 3K	5-56	
	512 - 84	43 - 118	6.863	GKS05 - 3K □□□ 100-32 16D		
	374 - 61	59 - 162	9.412	GKS05 - 3K □□□ 100-32 16D		
	333 - 55	66 - 182	10.569	GKS05 - 3K □□□ 100-32 16D		
	267 - 44	83 - 165	13.176	GKS05 - 3K □□□ 100-32 16D		
	220 - 36	101 - 275	16.000	GKS05 - 3K □□□ 100-32 16D		
	183 - 30	121 - 297	19.216	GKS05 - 3K □□□ 100-32 16D		
	133 - 22	166 - 298	26.353	GKS05 - 3K □□□ 100-32 16D		
	107 - 18	206 - 331	32.744	GKS05 - 3K □□□ 100-32 16D		
	95 - 16	227 - 302	36.894	GKS05 - 3K □□□ 100-32 16D		
	79 - 13	279 - 689	44.471	GKS06 - 3K □□□ 100-32 16D		
	66 - 11	333 - 695	53.074	GKS06 - 3K □□□ 100-32 16D		
	54 - 8.8	410 - 624	65.207	GKS06 - 3K □□□ 100-32 16D		
	44 - 7.3	499 - 1205	79.407	GKS07 - 3K □□□ 100-32 16D		
	46 - 7.0	483 - 1205	79.407	GKS07 - 3K □□□ 100-32 20E		
	34 - 5.5	655 - 1215	104.296	GKS07 - 3K □□□ 100-32 16D		
	35 - 5.3	634 - 1215	104.296	GKS07 - 3K □□□ 100-32 20E		
	28 - 4.6	795 - 1215	126.578	GKS07 - 3K □□□ 100-32 16D		
	29 - 4.4	770 - 1215	126.578	GKS07 - 3K □□□ 100-32 20E		
	25 - 4.1	883 - 1330	140.548	GKS07 - 3K □□□ 100-32 16D		
	26 - 4.0	855 - 1330	140.548	GKS07 - 3K □□□ 100-32 20E		
	23 - 3.5	966 - 2978	158.816	GKS09 - 3K □□□ 100-32 20E		
	18 - 2.7	1247 - 3080	205.111	GKS09 - 3K □□□ 100-32 20E		
	15 - 2.2	1514 - 3080	248.930	GKS09 - 3K □□□ 100-32 20E		
	13 - 2.0	1698 - 3031	279.205	GKS09 - 3K □□□ 100-32 20E		
	12 - 1.8	1913 - 3080	314.659	GKS09 - 3K □□□ 100-32 20E		
				GKS □□ - 4K		5-64
	23 - 3.7	955 - 1300	154.622	GKS07 - 4K □□□ 100-32 16D		
	18 - 2.7	1223 - 3031	204.596	GKS09 - 4K □□□ 100-32 20E		
	15 - 2.2	1485 - 3031	248.439	GKS09 - 4K □□□ 100-32 20E		
11 - 1.7	1933 - 3031	323.365	GKS09 - 4K □□□ 100-32 20E			
9.2 - 1.4	2366 - 5973	395.787	GKS11 - 4K □□□ 100-32 20E			
7.1 - 1.1	3062 - 5975	512.195	GKS11 - 4K □□□ 100-32 20E			
5.8 - 0.9	3716 - 5975	621.619	GKS11 - 4K □□□ 100-32 20E			
5.2 - 0.8	4187 - 6072	700.416	GKS11 - 4K □□□ 100-32 20E			

Thermal limit not considered (see note on page 3-12)

Marked in grey: Only swivel position 3 or 5 possible!



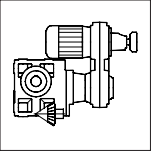
Compact units

Selection tables with helical-bevel gearboxes

P ₁	50 Hz		i	Compact unit	Dim. Page
	n ₂ [min ⁻¹]	M ₂ [Nm]			
5.5 kW				GKS □□ - 3K	5-56
	90 - 14	450 - 689	41.472	GKS06 - 3K □□□ 112-32 21E	
	74 - 11	546 - 1300	50.345	GKS07 - 3K □□□ 112-32 21E	
	58 - 8.8	702 - 1195	64.790	GKS07 - 3K □□□ 112-32 21E	
	47 - 7.2	861 - 1205	79.407	GKS07 - 3K □□□ 112-32 21E	
	40 - 6.2	982 - 1330	92.563	GKS07 - 3K □□□ 112-32 21E	
	36 - 5.5	1122 - 2826	103.524	GKS09 - 3K □□□ 112-32 21E	
	33 - 5.5	1238 - 3080	103.524	GKS09 - 3K □□□ 112-32 25F	
	27 - 4.5	1503 - 3080	125.641	GKS09 - 3K □□□ 112-32 25F	
	30 - 4.6	1362 - 2920	125.641	GKS09 - 3K □□□ 112-32 21E	
	24 - 3.6	1721 - 2978	158.816	GKS09 - 3K □□□ 112-32 21E	
	19 - 3.1	2177 - 3031	182.000	GKS09 - 3K □□□ 112-32 25F	
	21 - 3.2	1973 - 3031	182.000	GKS09 - 3K □□□ 112-32 21E	
	17 - 2.8	2345 - 3080	205.111	GKS09 - 3K □□□ 112-32 25F	
	18 - 2.8	2223 - 3080	205.111	GKS09 - 3K □□□ 112-32 21E	
	13 - 2.2	3052 - 5892	255.133	GKS11 - 3K □□□ 112-32 25F	
	12 - 2.0	3424 - 5975	286.219	GKS11 - 3K □□□ 112-32 25F	
	11 - 1.8	3858 - 5892	322.500	GKS11 - 3K □□□ 112-32 25F	
				GKS □□ - 4K	5-64
	14 - 2.3	2918 - 5973	248.106	GKS11 - 4K □□□ 112-32 25F	
	11 - 1.8	3797 - 5973	322.931	GKS11 - 4K □□□ 112-32 25F	
	8.6 - 1.4	4547 - 5973	395.787	GKS11 - 4K □□□ 112-32 25F	
	9.4 - 1.5	4217 - 5973	395.787	GKS11 - 4K □□□ 112-32 21E	
	6.6 - 1.1	6034 - 11488	513.121	GKS14 - 4K □□□ 112-32 25F	
5.5 - 0.9	7323 - 11488	622.742	GKS14 - 4K □□□ 112-32 25F		
4.9 - 0.8	8251 - 11639	701.681	GKS14 - 4K □□□ 112-32 25F		
7.5 kW				GKS □□ - 3K	5-56
	524 - 89	106 - 263	6.485	GKS06 - 3K □□□ 132-22 26F	
	412 - 70	135 - 460	8.254	GKS07 - 3K □□□ 132-22 26F	
	335 - 57	166 - 412	10.147	GKS06 - 3K □□□ 132-22 26F	
	270 - 46	206 - 426	12.612	GKS06 - 3K □□□ 132-22 26F	
	204 - 35	273 - 604	16.699	GKS06 - 3K □□□ 132-22 26F	
	167 - 28	332 - 665	20.329	GKS06 - 3K □□□ 132-22 26F	
	131 - 22	425 - 679	26.017	GKS06 - 3K □□□ 132-22 26F	
	107 - 18	520 - 1172	31.858	GKS07 - 3K □□□ 132-22 26F	
	83 - 14	668 - 1290	40.906	GKS07 - 3K □□□ 132-22 26F	
	68 - 12	822 - 1300	50.345	GKS07 - 3K □□□ 132-22 26F	
	52 - 8.8	1076 - 3048	65.879	GKS09 - 3K □□□ 132-22 26F	
	43 - 7.2	1306 - 3071	79.996	GKS09 - 3K □□□ 132-22 26F	
	33 - 5.6	1691 - 3080	103.524	GKS09 - 3K □□□ 132-22 26F	
	27 - 4.6	2052 - 3080	125.641	GKS09 - 3K □□□ 132-22 26F	
	21 - 3.6	2590 - 5401	158.571	GKS11 - 3K □□□ 132-22 26F	

Thermal limit not considered (see note on page 3-12)

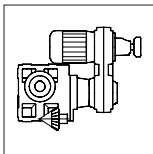
Marked in grey: Only swivel position 3 or 5 possible!



P ₁	50 Hz		i	Compact unit	Dim. Page
	n ₂ [min ⁻¹]	M ₂ [Nm]			
7.5 kW				GKS □□ - 3K	5-56
	18 - 3.1	3047 - 5975	186.572	GKS11 - 3K □□□ 132-22 26F	
	18 - 3.1	3047 - 5975	186.572	GKS11 - 3K □□□ 132-22 31G	
	16 - 2.8	3433 - 5892	210.222	GKS11 - 3K □□□ 132-22 26F	
	16 - 2.7	3433 - 5892	210.222	GKS11 - 3K □□□ 132-22 31G	
	13 - 2.3	4166 - 5892	255.133	GKS11 - 3K □□□ 132-22 26F	
	13 - 2.2	4166 - 5892	255.133	GKS11 - 3K □□□ 132-22 31G	
	12 - 2.0	4549 - 5975	286.219	GKS11 - 3K □□□ 132-22 26F	
	11 - 1.8	5267 - 11555	322.500	GKS14 - 3K □□□ 132-22 31G	
				GKS □□ - 4K	5-64
	12 - 2.1	4488 - 6032	279.556	GKS11 - 4K □□□ 132-22 26F	
	11 - 1.8	5165 - 11454	321.729	GKS14 - 4K □□□ 132-22 26F	
	8.7 - 1.5	6271 - 11454	390.672	GKS14 - 4K □□□ 132-22 26F	
	6.6 - 1.1	8237 - 11488	513.121	GKS14 - 4K □□□ 132-22 26F	
5.9 - 1.0	8860 - 11639	578.164	GKS14 - 4K □□□ 132-22 26F		
9.2 kW				GKS □□ - 3K	5-56
	524 - 89	130 - 263	6.485	GKS06 - 3K □□□ 132-32 26F	
	412 - 70	165 - 460	8.254	GKS07 - 3K □□□ 132-32 26F	
	335 - 57	203 - 412	10.147	GKS06 - 3K □□□ 132-32 26F	
	270 - 46	253 - 426	12.612	GKS06 - 3K □□□ 132-32 26F	
	204 - 34	334 - 604	16.699	GKS06 - 3K □□□ 132-32 26F	
	167 - 28	407 - 665	20.329	GKS06 - 3K □□□ 132-32 26F	
	131 - 22	517 - 679	26.017	GKS06 - 3K □□□ 132-32 26F	
	107 - 18	638 - 1172	31.858	GKS07 - 3K □□□ 132-32 26F	
	83 - 14	819 - 1290	40.906	GKS07 - 3K □□□ 132-32 26F	
	68 - 11	990 - 1300	50.345	GKS07 - 3K □□□ 132-32 26F	
	52 - 8.7	1319 - 3048	65.879	GKS09 - 3K □□□ 132-32 26F	
	43 - 7.2	1602 - 3071	79.996	GKS09 - 3K □□□ 132-32 26F	
	33 - 5.5	2073 - 3080	103.524	GKS09 - 3K □□□ 132-32 26F	
	27 - 4.6	2512 - 5328	125.448	GKS11 - 3K □□□ 132-32 26F	
	27 - 4.5	2512 - 6072	125.448	GKS11 - 3K □□□ 132-32 31G	
	21 - 3.6	3175 - 5401	158.571	GKS11 - 3K □□□ 132-32 26F	
	18 - 3.1	3735 - 5975	186.572	GKS11 - 3K □□□ 132-32 26F	
	18 - 3.0	3735 - 5975	186.572	GKS11 - 3K □□□ 132-32 31G	
	16 - 2.7	4209 - 5892	210.222	GKS11 - 3K □□□ 132-32 26F	
	16 - 2.7	4209 - 5892	210.222	GKS11 - 3K □□□ 132-32 31G	
	15 - 2.5	4533 - 5975	226.431	GKS11 - 3K □□□ 132-32 26F	
	15 - 2.5	4533 - 5975	226.431	GKS11 - 3K □□□ 132-32 31G	
	13 - 2.2	5108 - 11555	255.133	GKS14 - 3K □□□ 132-32 31G	
12 - 2.0	5730 - 11609	286.219	GKS14 - 3K □□□ 132-32 31G		
11 - 1.8	6457 - 11555	322.500	GKS14 - 3K □□□ 132-32 31G		

Thermal limit not considered (see note on page 3-12)

Marked in grey: Only swivel position 3 or 5 possible!



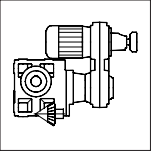
Compact units

Selection tables with helical-bevel gearboxes

P ₁	50 Hz		i	Compact unit	Dim. Page
	n ₂ [min ⁻¹]	M ₂ [Nm]			
9.2 kw				GKS □□ - 4K	5-64
	14 - 2.4	4674 -11454	237.467	GKS14 - 4K □□□ 132-32 26F	
	11 - 1.8	6332 -11454	321.729	GKS14 - 4K □□□ 132-32 26F	
	8.7 - 1.5	7689 -11454	390.672	GKS14 - 4K □□□ 132-32 26F	
	7.7 - 1.3	8663 -11520	440.193	GKS14 - 4K □□□ 132-32 26F	
11 kw				GKS □□ - 3K	5-56
	524 - 89	155 - 263	6.485	GKS06 - 3K □□□ 160-22 26F	
	370 - 63	220 - 373	9.196	GKS06 - 3K □□□ 160-22 26F	
	335 - 57	243 - 412	10.147	GKS06 - 3K □□□ 160-22 26F	
	270 - 46	302 - 426	12.612	GKS06 - 3K □□□ 160-22 26F	
	204 - 35	400 - 604	16.699	GKS06 - 3K □□□ 160-22 26F	
	167 - 28	487 - 665	20.329	GKS06 - 3K □□□ 160-22 26F	
	135 - 23	605 - 1177	25.244	GKS07 - 3K □□□ 160-22 26F	
	107 - 18	763 - 1172	31.858	GKS07 - 3K □□□ 160-22 26F	
	83 - 14	980 - 1290	40.906	GKS07 - 3K □□□ 160-22 26F	
	70 - 12	1165 - 2708	48.625	GKS09 - 3K □□□ 160-22 26F	
	52 - 8.8	1578 - 3048	65.879	GKS09 - 3K □□□ 160-22 26F	
	43 - 7.2	1916 - 3071	79.996	GKS09 - 3K □□□ 160-22 26F	
	33 - 5.6	2476 - 5258	103.365	GKS11 - 3K □□□ 160-22 26F	
	27 - 4.6	3005 - 5328	125.448	GKS11 - 3K □□□ 160-22 26F	
	21 - 3.6	3798 - 5401	158.571	GKS11 - 3K □□□ 160-22 26F	
	18 - 3.1	4469 - 5975	186.572	GKS11 - 3K □□□ 160-22 26F	
				GKS □□ - 4K	5-64
	34 - 5.8	2306 - 3029	100.551	GKS09 - 4K □□□ 160-22 26F	
	27 - 4.6	2945 - 5800	125.095	GKS11 - 4K □□□ 160-22 26F	
22 - 3.8	3608 - 5800	153.242	GKS11 - 4K □□□ 160-22 26F		
17 - 2.9	4546 - 5972	201.890	GKS11 - 4K □□□ 160-22 26F		
14 - 2.4	5591 -11454	237.467	GKS14 - 4K □□□ 160-22 26F		
11 - 1.8	7575 -11454	321.729	GKS14 - 4K □□□ 160-22 26F		
9.4 - 1.6	8535 -11520	362.512	GKS14 - 4K □□□ 160-22 26F		
15 kw				GKS □□ - 3K	5-56
	571 - 96	195 - 471	5.955	GKS07 - 3K □□□ 160-32 31G	
	412 - 69	270 - 541	8.254	GKS07 - 3K □□□ 160-32 31G	
	336 - 56	331 - 800	10.124	GKS07 - 3K □□□ 160-32 31G	
	268 - 45	415 - 832	12.711	GKS07 - 3K □□□ 160-32 31G	
	204 - 34	545 - 1071	16.674	GKS07 - 3K □□□ 160-32 31G	
	166 - 28	670 - 1110	20.511	GKS07 - 3K □□□ 160-32 31G	
	135 - 23	825 - 1177	25.244	GKS07 - 3K □□□ 160-32 31G	
	103 - 17	1076 - 2984	32.940	GKS09 - 3K □□□ 160-32 31G	

Thermal limit not considered (see note on page 3-12)

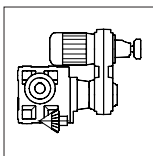
Marked in grey: Only swivel position 3 or 5 possible!



P ₁	50 Hz		i	Compact unit	Dim. Page
	n ₂ [min ⁻¹]	M ₂ [Nm]			
15 kW				GKS □□ - 3K	5-56
	86 - 14	1295 - 3002	39.662	GKS09 - 3K □□□ 160-32 31G	
	70 - 12	1588 - 3017	48.625	GKS09 - 3K □□□ 160-32 31G	
	52 - 8.7	2152 - 3048	65.879	GKS09 - 3K □□□ 160-32 31G	
	48 - 8.0	2307 - 3031	70.982	GKS09 - 3K □□□ 160-32 31G	
	43 - 7.1	2609 - 6032	79.873	GKS11 - 3K □□□ 160-32 31G	
	33 - 5.5	3376 - 6072	103.365	GKS11 - 3K □□□ 160-32 31G	
	27 - 4.5	4097 - 6072	125.448	GKS11 - 3K □□□ 160-32 31G	
	22 - 3.6	5112 -10812	156.522	GKS14 - 3K □□□ 160-32 31G	
	16 - 2.7	6866 -11555	210.222	GKS14 - 3K □□□ 160-32 31G	
	13 - 2.2	8333 -11555	255.133	GKS14 - 3K □□□ 160-32 31G	
				GKS □□ - 4K	
	33 - 5.6	3279 - 5655	102.119	GKS11 - 4K □□□ 160-32 31G	
	27 - 4.6	4016 - 5800	125.095	GKS11 - 4K □□□ 160-32 31G	
	22 - 3.6	5074 -11522	158.039	GKS14 - 4K □□□ 160-32 31G	
	18 - 2.9	6221 -11522	193.754	GKS14 - 4K □□□ 160-32 31G	
	14 - 2.4	7624 -11454	237.467	GKS14 - 4K □□□ 160-32 31G	
	13 - 2.1	8590 -11520	267.568	GKS14 - 4K □□□ 160-32 31G	
18.5 kW				GKS □□ - 3K	5-56
	571 - 94	240 - 471	5.955	GKS07 - 3K □□□ 180-22 31G	
	412 - 68	332 - 541	8.254	GKS07 - 3K □□□ 180-22 31G	
	336 - 56	407 - 800	10.124	GKS07 - 3K □□□ 180-22 31G	
	268 - 44	512 - 832	12.711	GKS07 - 3K □□□ 180-22 31G	
	204 - 34	671 - 1071	16.674	GKS07 - 3K □□□ 180-22 31G	
	166 - 27	825 - 1110	20.511	GKS07 - 3K □□□ 180-22 31G	
	133 - 22	1032 - 2862	25.649	GKS09 - 3K □□□ 180-22 31G	
	103 - 17	1325 - 2984	32.940	GKS09 - 3K □□□ 180-22 31G	
	86 - 14	1596 - 3002	39.662	GKS09 - 3K □□□ 180-22 31G	
	70 - 12	1957 - 3017	48.625	GKS09 - 3K □□□ 180-22 31G	
	58 - 9.6	2307 - 3031	58.456	GKS09 - 3K □□□ 180-22 31G	
	52 - 8.7	2615 - 5992	64.995	GKS11 - 3K □□□ 180-22 31G	
	43 - 7.0	3214 - 6032	79.873	GKS11 - 3K □□□ 180-22 31G	
	33 - 5.4	4159 - 6072	103.365	GKS11 - 3K □□□ 180-22 31G	
	28 - 4.5	4983 -10622	123.826	GKS14 - 3K □□□ 180-22 31G	
	22 - 3.6	6298 -10812	156.522	GKS14 - 3K □□□ 180-22 31G	
	16 - 2.7	8459 -11555	210.222	GKS14 - 3K □□□ 180-22 31G	
15 - 2.5	8838 -11609	226.431	GKS14 - 3K □□□ 180-22 31G		

Thermal limit not considered (see note on page 3-12)

Marked in grey: Only swivel position 3 or 5 possible!



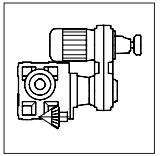
Compact units

Selection tables with helical-bevel gearboxes

P ₁	50 Hz		i	Compact unit	Dim. Page	
	n ₂ [min ⁻¹]	M ₂ [Nm]				
18.5 kW	33 - 5.5	4039 - 5655	102.119	GKS □□ - 4K GKS11 - 4K □□□ 180-22 31G	5-64	
	29 - 4.7	4726 -10737	119.493	GKS14 - 4K □□□ 180-22 31G		
	22 - 3.6	6251 -11522	158.039	GKS14 - 4K □□□ 180-22 31G		
	18 - 2.9	7664 -11522	193.754	GKS14 - 4K □□□ 180-22 31G		
	16 - 2.6	8635 -11477	218.315	GKS14 - 4K □□□ 180-22 31G		
22 kW	224 - 40	741 - 1615	12.283	GKS □□ - 3K GKS09 - 3K □□□ 180-32 40H	5-56	
	171 - 30	972 - 1801	16.122	GKS09 - 3K □□□ 180-32 40H		
	141 - 25	1178 - 2570	19.541	GKS09 - 3K □□□ 180-32 40H		
	107 - 19	1547 - 2862	25.649	GKS09 - 3K □□□ 180-32 40H		
	84 - 15	1986 - 2984	32.940	GKS09 - 3K □□□ 180-32 40H		
	69 - 12	2392 - 3002	39.662	GKS09 - 3K □□□ 180-32 40H		
	56 - 9.9	2975 - 5923	49.333	GKS11 - 3K □□□ 180-32 40H		
	42 - 7.5	3919 - 5992	64.995	GKS11 - 3K □□□ 180-32 40H		
	34 - 6.1	4816 - 6032	79.873	GKS11 - 3K □□□ 180-32 40H		
	27 - 4.8	6152 -11639	102.029	GKS14 - 3K □□□ 180-32 40H		
	22 - 3.9	7467 -11639	123.826	GKS14 - 3K □□□ 180-32 40H		
	20 - 3.6	7981 -11261	134.640	GKS □□ - 4K GKS14 - 4K □□□ 180-32 40H		5-64
	17 - 3.1	9368 -11522	158.039	GKS14 - 4K □□□ 180-32 40H		
	30 kW	222 - 39	1017 - 1615	12.283		GKS □□ - 3K GKS09 - 3K □□□ 200-32 40H
169 - 30		1335 - 1801	16.122	GKS09 - 3K □□□ 200-32 40H		
140 - 25		1618 - 2570	19.541	GKS09 - 3K □□□ 200-32 40H		
107 - 19		2124 - 2862	25.649	GKS09 - 3K □□□ 200-32 40H		
87 - 15		2614 - 5521	31.573	GKS11 - 3K □□□ 200-32 40H		
68 - 12		3334 - 5869	40.272	GKS11 - 3K □□□ 200-32 40H		
55 - 9.8		4084 - 5923	49.333	GKS11 - 3K □□□ 200-32 40H		
43 - 7.6		5248 -11477	63.382	GKS14 - 3K □□□ 200-32 40H		
35 - 6.2		6431 -11520	77.681	GKS14 - 3K □□□ 200-32 40H		
27 - 4.7		8447 -11639	102.029	GKS14 - 3K □□□ 200-32 40H		
25 - 4.4		9099 -11790	109.896	GKS14 - 3K □□□ 200-32 40H		
37 kW	223 - 40	1250 - 1615	12.283	GKS □□ - 3K GKS09 - 3K □□□ 225-12 40H	5-56	
	173 - 31	1615 - 3090	15.874	GKS11 - 3K □□□ 225-12 40H		
	140 - 25	1989 - 2570	19.541	GKS09 - 3K □□□ 225-12 40H		

Thermal limit not considered (see note on page 3-12)

Marked in grey: Only swivel position 3 or 5 possible!



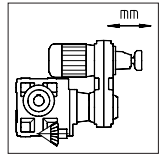
P ₁	50 Hz		i	Compact unit	Dim. Page
	n ₂ [min ⁻¹]	M ₂ [Nm]			
37 kW				GKS □□ - 3K	5-56
	107 - 19	2607 - 4985	25.615	GKS11 - 3K □□□ 225-12 40H	
	87 - 15	3213 - 5521	31.573	GKS11 - 3K □□□ 225-12 40H	
	68 - 12	4098 - 5869	40.272	GKS11 - 3K □□□ 225-12 40H	
	56 - 9.8	4845 - 5923	49.333	GKS11 - 3K □□□ 225-12 40H	
	43 - 7.7	6450 - 11477	63.382	GKS14 - 3K □□□ 225-12 40H	
	35 - 6.2	7905 - 11520	77.681	GKS14 - 3K □□□ 225-12 40H	
	30 - 5.4	9215 - 11488	90.551	GKS14 - 3K □□□ 225-12 40H	
45 kW				GKS □□ - 3K	5-56
	229 - 41	1482 - 2714	12.094	GKS11 - 3K □□□ 225-22 40H	
	174 - 31	1945 - 3090	15.874	GKS11 - 3K □□□ 225-22 40H	
	142 - 25	2391 - 4380	19.515	GKS11 - 3K □□□ 225-22 40H	
	108 - 19	3138 - 4985	25.615	GKS11 - 3K □□□ 225-22 40H	
	88 - 16	3868 - 5521	31.573	GKS11 - 3K □□□ 225-22 40H	
	69 - 12	4785 - 5869	40.272	GKS11 - 3K □□□ 225-22 40H	
	58 - 10	5871 - 10756	47.923	GKS14 - 3K □□□ 225-22 40H	
	44 - 7.7	7765 - 11477	63.382	GKS14 - 3K □□□ 225-22 40H	
	36 - 6.3	9392 - 11520	77.681	GKS14 - 3K □□□ 225-22 40H	

Thermal limit not considered (see note on page 3-12)

Marked in grey: Only swivel position 3 or 5 possible!

Compact units

Combinations with helical-bevel gearboxes



GKS □□ - 3 K

Gearbox size	Compact unit																			
	GKS □□ - 3 K □□□ with drive size																			
	071		080		090		100		112		132		160		180		200		225	
	-12 /-32	-32	-12 /-32	-12 /-32	-12 /-32	-12 /-32	-12 /-32	-22 /-32	-22 /-32	-22 /-32	-22	-32	-22	-32	-22	-32	-32	-32	-12 /-22	-12 /-22
10B	13C	13C	14D	14D	16D	16D	20E	21E	25F	26F	31G	26F	31G	31G	40H	40H	40H	40H	40H	
GKS 04	↔	●	●																	
GKS 05		●	↔	●	●		●													
GKS 06		↔	↔		↔	●	●		●		●		●							
GKS 07				↔	↔		↔	●	●		●		●	●	●					
GKS 09							↔	↔	●	●		↔	●	●	●	●	●	●	●	●
GKS 11									↔	↔	●	↔	↔	↔	●	●	●	●	●	●
GKS 14											↔		↔	↔	●	●	●	●	↔	↔

GKS □□ - 4 K

Gearbox size	Compact unit																			
	GKS □□ - 4 K □□□ with drive size																			
	071		080		090		100		112		132		160		180		200		225	
	-12 /-32	-32	-12 /-32	-12 /-32	-12 /-32	-12 /-32	-12 /-32	-22 /-32	-22 /-32	-22 /-32	-22	-32	-22	-32	-22	-32	-32	-32	-12 /-22	-12 /-22
10B	13C	13C	14D	14D	16D	16D	20E	21E	25F	26F	26F	31G	26F	31G	31G	40H	40H	40H	40H	
GKS 05	●		●																	
GKS 06		●	●																	
GKS 07		↔		●	↔	●	●													
GKS 09						↔	↔	●	●		●		●							
GKS 11							↔	↔	●	●		●	●	●	●					
GKS 14									↔	●		↔	●	●	●	●	●	●	●	●

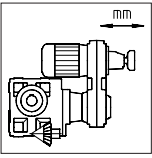
Motor position 1 (z-type):

■ All combinations in swivel positions 2, 3 or 5 possible

Motor position 6 (u-type):

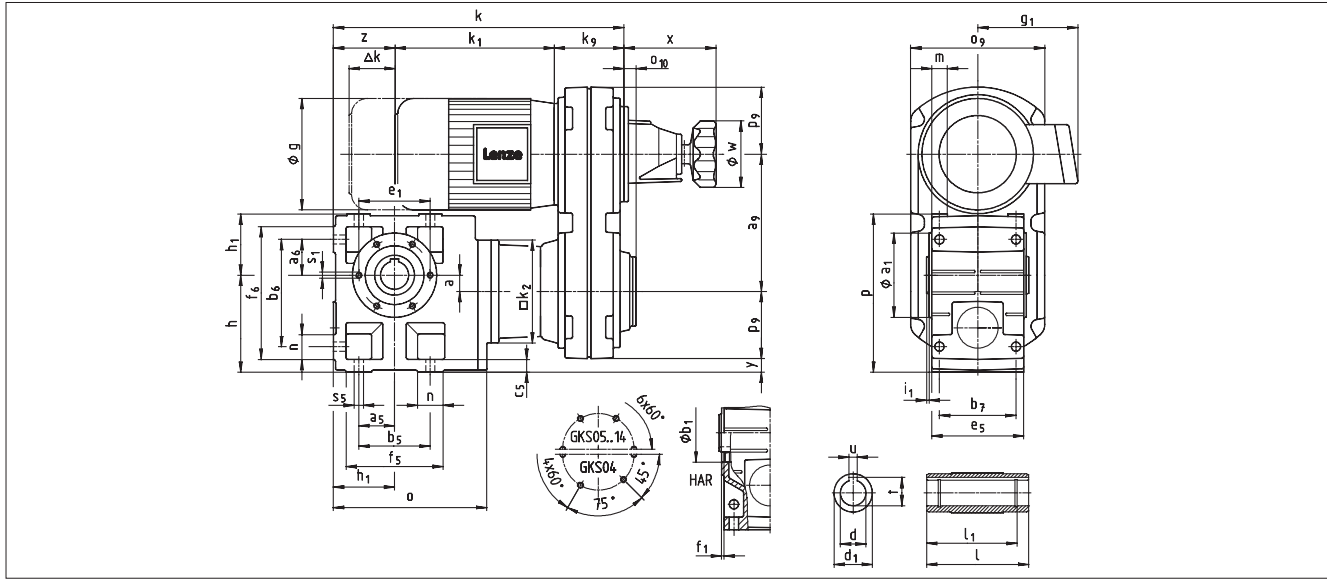
↔ Only swivel positions 3 or 5 possible

● Swivel positions 2, 3 or 5 possible



Compact units

Dimensions with helical-bevel gearboxes



5

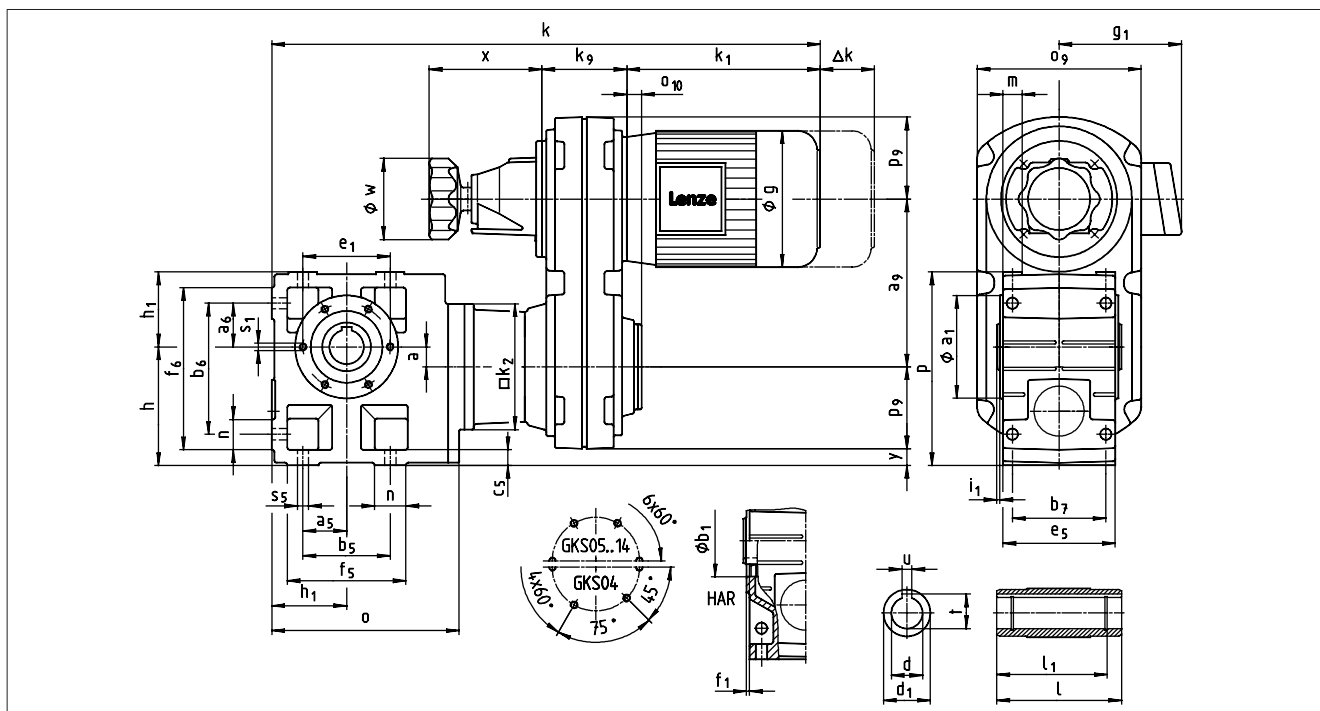
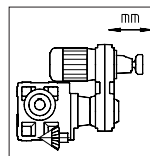
Compact unit		Drive size																						
GKS □□ - 3 K H □ R		071		080		090		100**		112		132		160		180		200		225				
Motor position 6		-12/-32	-32	-12/-32	-12/-32	-12/-32	-12/-32	-22/-32	-22/-32	-22/-32	-22	-32	-22	-32	-22	-32	-32	-12/-22	-12/-22	-12/-22	-12/-22			
		10B	13C	13C	14D	14D	16D	16D	20E	21E	25F	26F	31G	26F	31G	31G	40H	40H	40H	40H	40H			
Motor	g	143	143	160	160	180	180	206	206	222	222	274	274	323	323	360	360	388	433					
	g₁ Without options	128	128	137	137	147	147	140	140	174	174	196	196	253	253	275	275	300	319					
	Brake motor	131	131	142	142	154	154	151	151	174	174	212	212	253	253	275	275	309	327					
	k₁	237	237	267	267	350	350	316	316	379	379	450	450	564	564	595	595	661	693					
Variable speed drive	Δk Brake	54	54	36	36	48	48	111	111	80	80	63	63	120	120	122	122	167	148					
	a₉	136	173	173	193	193	217	217	248	274	316	347	392	347	392	392	500	500	500					
	k₉	65	95	95	95	95	110	110	130	130	160	160	196	160	196	196	160	160	160					
	o₉	135	180	180	180	180	212	212	263	263	320	320	394	320	394	394	528	528	528					
	p₉	67	90	90	90	90	106	106	132	132	160	160	197	160	197	197	264	264	264					
	w	70	70	70	70	70	105	105	105	105	160	160	160	160	160	160	200	200	200					
	x	100	108	108	108	108	147	147	147	147	184	184	184	184	184	184	320	320	320					
Housing	o₁₀	17	17	17	17	17	17	27	27	39	39	39	39	39	39	142	142	142						
	k₂	115	145	145	145	145	145	180	180	222	222	222	222	222	222	300	300	300						
Gearbox size	Gearbox						Total length																	
	o	l*	p*	h	h₁	a	k																	
	GKS 04	203	115	171	100	71	20	317	374	374														
	GKS 05	232	140	205	125	80	23		394	394	412	412		427										
	GKS 06	291	160	250	150	100	28		450	450		468	483	483		533		566	566					
	GKS 07	354	200	310	190	120	34				524	524		539	589	589		622		622	636	636		
	GKS 09	429	240	386	236	150	41							660	660	691	693		693	707	707	688	688	688
	GKS 11	527	290	485	300	185	54									782	784	798	784	798	798	779	779	779
GKS 14	636	350	605	375	230	67											897		897	897	878	878	878	

Gearbox size	Hollow shaft					Pitch circle						Foot												
	d H7	l	d ₁	l ₁	u JS9	t +0.2	a ₁	b ₁ H7	e ₁	f ₁	i ₁	s ₁	a ₅	a ₆	b ₅	b ₆	b ₇	c ₅	e ₅	f ₅	f ₆	n	m	s ₅
GKS 04	25 30	115	45	100	8 8	28.3 33.3	105	75	90	3	2.5	M6x12	45	45	110	119	85	14	105	132	141	22	21	9
GKS 05	30 35	140	50	124	8 10	33.3 38.3	118	80	100	4	4	M8x15	47.5	47.5	115	140	105	17	127	144	169	29	21	11
GKS 06	40 45	160	65	140	12 14	43.3 48.8	140	100	120	4	5	M10x16	60	60	155	170	120	20	145	191	206	36	23	14
GKS 07	50 55	200	75	175	14 16	53.8 59.3	165	115	140	5	5	M12x18	70	70	190	210	150	25	180	235	255	45	28	18
GKS 09	60 70	240	95	210	18 20	64.4 74.9	205	145	175	6	5	M16x24	90	90	240	266	185	30	222	300	326	60	37	22
GKS 11	70 80	290	105	250	20 22	74.9 85.4	240	140	205	6	6	M20x32	105	105	290	325	225	40	270	363	398	73	43	26
GKS 14	100	350	135	305	28	106.4	290	170	250	6	7	M24x35	135	135	360	415	275	50	328	442	497	82	52	33

Dimensions in [mm] * Observe dimension k₂ ** With swivel position 2 only terminal box position 2 possible, fan cover opposite terminal box flat
 With customer motors: Observe distance between motor and gearbox!
 Observe test dimensions z and y! (see page 5-72) Only swivel positions 3 and 5 possible

Compact units

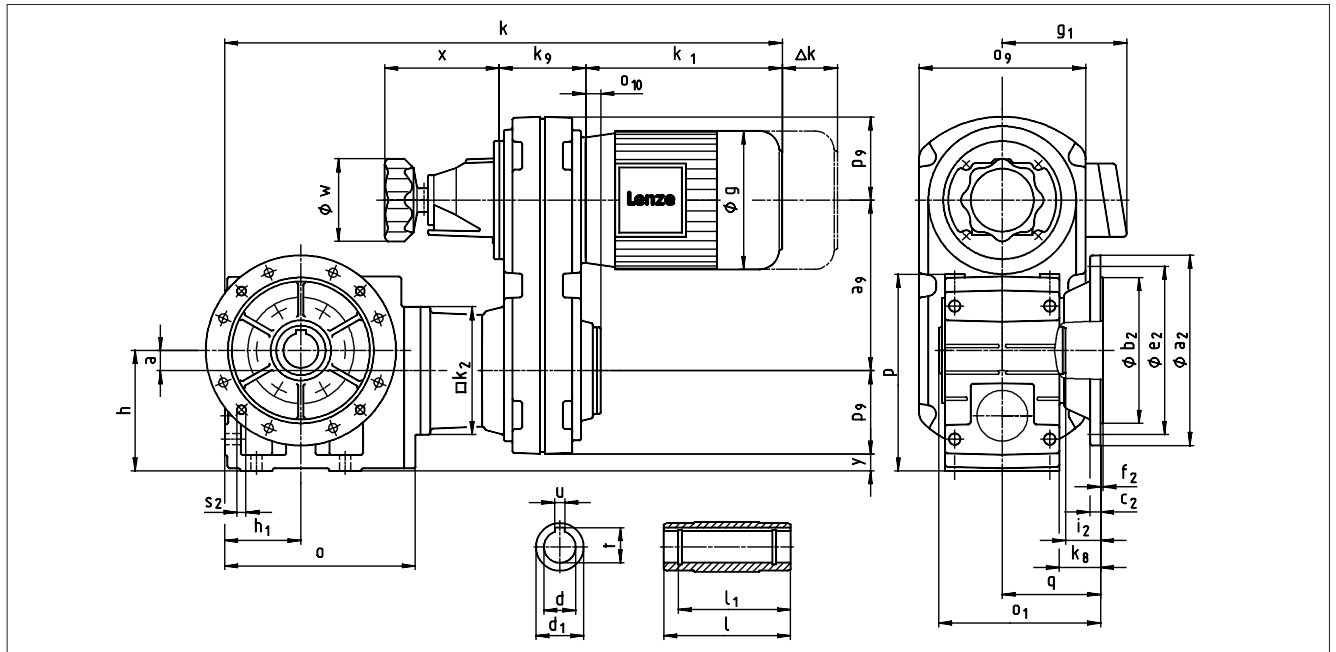
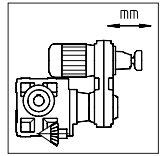
Dimensions with helical-bevel gearboxes



Compact unit		Drive size																					
GKS □□ - 3 K H □ R		071		080		090		100		112													
Motor position 1		-12/-32	-32	-12/-32	-12/-32	-12/-32	-12/-32	-12/-32	-12/-32	-22/-32	-22/-32												
		10B	13C	13C	14D	14D	16D	16D	20E	21E	25F												
Motor	g	143	143	160	160	180	180	206	206	222	222												
	g ₁ Without options	128	128	137	137	147	147	140	140	174	174												
	Brake motor	131	131	142	142	154	154	151	151	174	174												
	k ₁	237	237	267	267	350	350	316	316	379	379												
	Δk Brake	54	54	36	36	48	48	111	111	80	80												
Variable speed drive	a ₉	136	173	173	193	193	217	217	248	274	316												
	k ₉	65	95	95	95	95	110	110	130	130	160												
	o ₉	135	180	180	180	180	212	212	263	263	320												
	p ₉	67	90	90	90	90	106	106	132	132	160												
	w	70	70	70	70	70	105	105	105	105	160												
	x	100	108	108	108	108	147	147	147	147	184												
	o ₁₀	17	17	17	17	17	17	27	27	27	39												
Housing		k ₂	115	145	145	145	145	145	180	180	222												
Gearbox size	Gearbox					Total length																	
	o	l*	p*	h	h ₁	a	k																
GKS 04	203	115	171	100	71	20	554	611	641														
GKS 05	232	140	205	125	80	23		631	661	679	762		743										
GKS 06	291	160	250	150	100	28		687	717		818	833	799							912			
GKS 07	354	200	310	190	120	34				791	874		855	905	968								
GKS 09	429	240	386	236	150	41								976	1039							1070	
GKS 11	527	290	485	300	185	54																	1161

Gearbox size	Hollow shaft					Pitch circle						Foot												
	d	l	d ₁	l ₁	u	t	a ₁	b ₁	e ₁	f ₁	i ₁	s ₁	a ₅	a ₆	b ₅	b ₆	b ₇	c ₅	e ₅	f ₅	f ₆	n	m	s ₅
GKS 04	25 30	115	45	100	8 8	28.3 33.3	105	75	90	3	2.5	M6x12	45	45	110	119	85	14	105	132	141	22	21	9
GKS 05	30 35	140	50	124	8 10	33.3 38.3	118	80	100	4	4	M8x15	47.5	47.5	115	140	105	17	127	144	169	29	21	11
GKS 06	40 45	160	65	140	12 14	43.3 48.8	140	100	120	4	5	M10x16	60	60	155	170	120	20	145	191	206	36	23	14
GKS 07	50 55	200	75	175	14 16	53.8 59.3	165	115	140	5	5	M12x18	70	70	190	210	150	25	180	235	255	45	28	18
GKS 09	60 70	240	95	210	18 20	64.4 74.9	205	145	175	6	5	M16x24	90	90	240	266	185	30	222	300	326	60	37	22
GKS 11	70 80	290	105	250	20 22	74.9 85.4	240	140	205	6	6	M20x32	105	105	290	325	225	40	270	363	398	73	43	26

Dimensions in [mm] * Observe dimension k₂ Observe test dimension y! (see page 5-72)



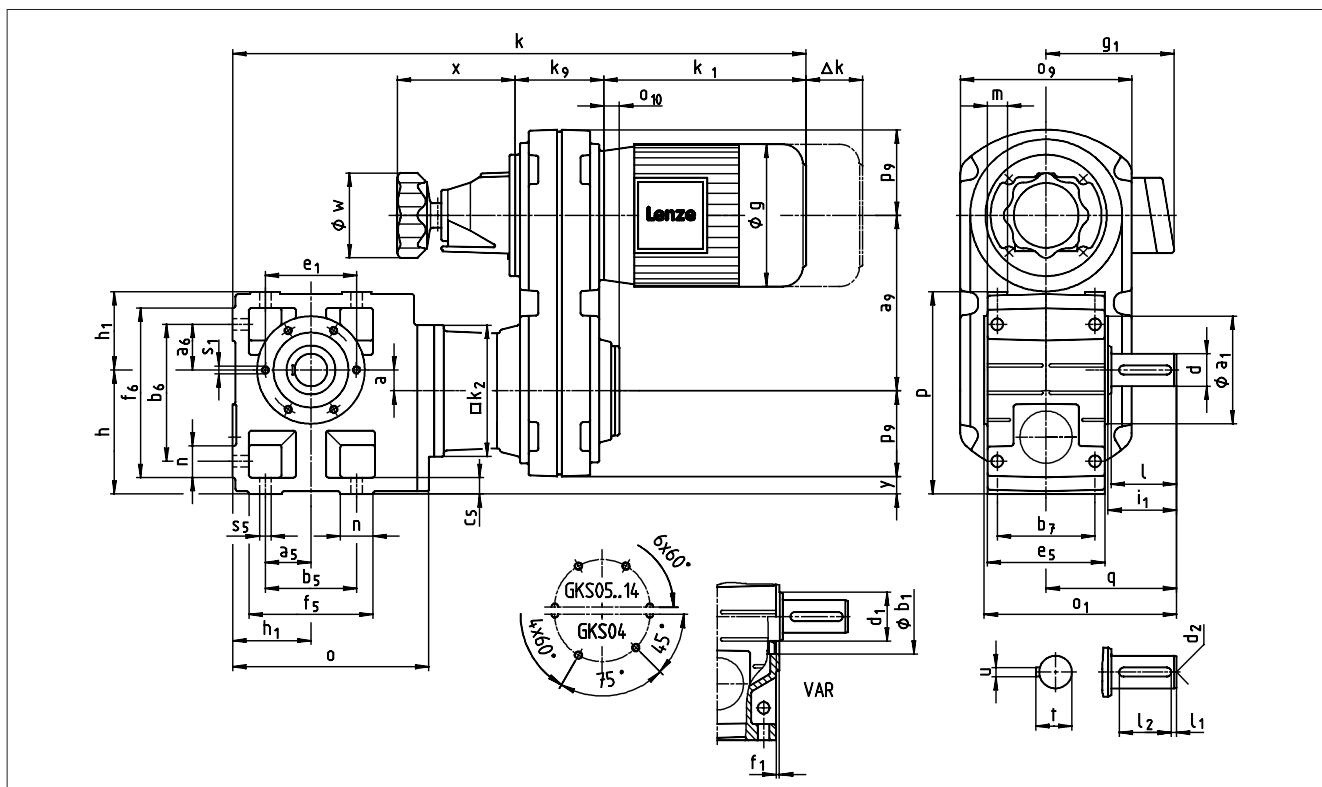
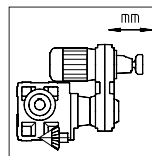
Compact unit GKS □□ - 3 K HAK Motor position 1		Drive size												
		071		080		090		100		112				
		-12/-32	-32	-12/-32	-12/-32	-12/-32	-12/-32	-12/-32	-12/-32	-22/-32	-22/-32			
		10B	13C	13C	14D	14D	16D	16D	20E	21E	25F			
Motor	g	143	143	160	160	180	180	206	206	222	222			
	g ₁ Without options	128	128	137	137	147	147	140	140	174	174			
	Brake motor	131	131	142	142	154	154	151	151	174	174			
	k ₁	237	237	267	267	350	350	316	316	379	379			
Δk Brake	54	54	36	36	48	48	111	111	80	80				
Variable speed drive	a ₉	136	173	173	193	193	217	217	248	274	316			
	k ₉	65	95	95	95	95	110	110	130	130	160			
	o ₉	135	180	180	180	180	212	212	263	263	320			
	p ₉	67	90	90	90	90	106	106	132	132	160			
	w	70	70	70	70	70	105	105	105	105	160			
	x	100	108	108	108	108	147	147	147	147	184			
	o ₁₀	17	17	17	17	17	17	17	27	27	39			
Housing	k ₂	115	145	145	145	145	145	145	180	180	222			
Gearbox size	Gearbox									Total length				
	o	o ₁ *	p*	h	h ₁	a	k ₈	q	k					
GKS 04	203	148	171	100	71	20	38	90.5	554	611	641			
GKS 05	232	173	205	125	80	23	40	103		631	661	679	762	743
GKS 06	291	201	250	150	100	28	49	121		687	717		818	833
GKS 07	354	255	310	190	120	34	65	155				791	874	
GKS 09	429	300	386	236	150	41	69	180						855
GKS 11	527	350	485	300	185	54	70	205						
														905
														968
														976
														1039
														1070
														1161

Gearbox size	Hollow shaft						Output flange							
	d H7	l	d ₁	l ₁	u JS9	t +0.2	a ₂	b ₂ j7	c ₂	e ₂	f ₂	i ₂	s ₂	
GKS 04	25 30	115	45	100	8 8	28.3 33.3	160	110	10	130	3.5	33	4 x 9	
GKS 05	30 35	140	50	124	8 10	33.3 38.3	200	130	12	165	3.5	33	4 x 11	
GKS 06	40 45	160	65	140	12 14	43.3 48.8	200 250	130 180	12 14.5	165 215	3.5 4	42 41	4 x 11 4 x 14	
GKS 07	50 55	200	75	175	14 16	53.8 59.3	250 300	180 230	14.5 16.5	215 265	4	55	4 x 14	
GKS 09	60 70	240	95	210	18 20	64.4 74.9	350	250	18	300	4	60	4 x 17.5	
GKS 11	70 80	290	105	250	20 22	74.9 85.4	400 450	300 350	20 22	350 400	5	60	4 x 17.5 8 x 17.5	

Dimensions in [mm] * Observe dimension k₂ Observe test dimension y! (see page 5-72)

Compact units

Dimensions with helical-bevel gearboxes



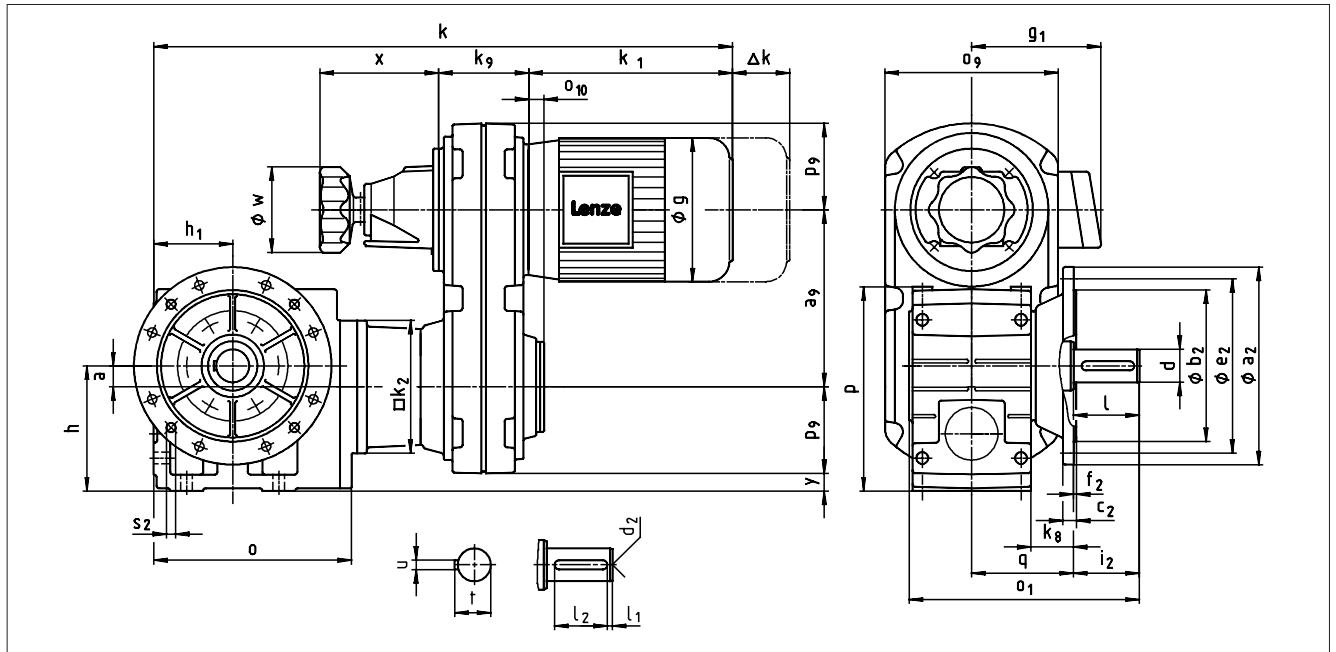
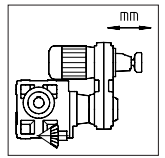
Compact unit		Drive size																							
GKS □□ - 3 KV□R		071		080		090		100		112															
Motor position 1		-12/-32	-32	-12/-32	-12/-32	-12/-32	-12/-32	-12/-32	-12/-32	-12/-32	-12/-32														
		10B	13C	13C	14D	14D	16D	16D	20E	21E	25F														
Motor	g	143	143	160	160	180	180	206	206	222	222														
	g₁	Without options	128	128	137	137	147	147	140	140	174	174													
		Brake motor	131	131	142	142	154	154	151	151	174	174													
	k₁	237	237	267	267	350	350	316	316	379	379														
	Δk Brake	54	54	36	36	48	48	111	111	80	80														
Variable speed drive	a₉	136	173	173	193	193	217	217	248	274	316														
	k₉	65	95	95	95	95	110	110	130	130	160														
	o₉	135	180	180	180	180	212	212	263	263	320														
	p₉	67	90	90	90	90	106	106	132	132	160														
	w	70	70	70	70	70	105	105	105	105	160														
	x	100	108	108	108	108	147	147	147	147	184														
	o₁₀	17	17	17	17	17	17	17	27	27	39														
Housing		k₂	115	145	145	145	145	145	180	180	222														
Gearbox size	Gearbox							Total length																	
	o	o₁*	p*	h	h₁	a	q	k																	
GKS 04	203	163	171	100	71	20	1075	554	611	641															
GKS 05	232	197	205	125	80	23	130		631	661	679	762		743											
GKS 06	291	236	250	150	100	28	160		687	717		818	833	799									912		
GKS 07	354	296	310	190	120	34	200				791	874		855	905	968									
GKS 09	429	356	386	236	150	41	240							976	1039	1070									
GKS 11	527	445	485	300	185	54	305																		1161

Gearbox size	Solid shaft								Pitch circle						Foot											
	d	l	d₁	l₁	l₂	d₂	u	t	a₁	b₁ H7	e₁	f₁	i₁	s₁	a₅	a₆	b₅	b₆	b₇	c₅	e₅	f₅	f₆	n	m	s₅
GKS 04	25	50	45	4	40	M10	8	28	105	75	90	3	52.5	M6x12	45	45	110	119	85	14	105	132	141	22	21	9
GKS 05	30	60	50	6	45	M10	8	33	118	80	100	4	64	M8x15	47.5	47.5	115	140	105	17	127	144	169	29	21	11
GKS 06	40	80	65	7	63	M16	12	43	140	100	120	4	85	M10x16	60	60	155	170	120	20	145	191	206	36	23	14
GKS 07	50	100	75	8	80	M16	14	53.5	165	115	140	5	105	M12x18	70	70	190	210	150	25	180	235	255	45	28	18
GKS 09	60	120	95	8	100	M20	18	64	205	145	175	6	125	M16x24	90	90	240	266	185	30	222	300	326	60	37	22
GKS 11	80	160	105	15	125	M20	22	85	240	140	205	6	166	M20x32	105	105	290	325	225	40	270	363	398	73	43	26

Dimensions in [mm] d ≤ 50 mm: k6 d > 50 mm: m6 * Observe dimension k₂ Observe test dimension y! (see page 5-72)

Compact units

Dimensions with helical-bevel gearboxes

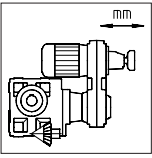


Compact unit GKS □□ - 3 K VAK Motor position 1		Drive size														
		071		080		090		100		112						
		-12/-32	-32	-12/-32	-12/-32	-12/-32	-12/-32	-12/-32	-12/-32	-22/-32	-22/-32					
		10B	13C	13C	14D	14D	16D	16D	20E	21E	25F					
Motor	g	143	143	160	160	180	180	206	206	222	222					
	g₁ Without options	128	128	137	137	147	147	140	140	174	174					
	Brake motor	131	131	142	142	154	154	151	151	174	174					
	k₁	237	237	267	267	350	350	316	316	379	379					
	Δk Brake	54	54	36	36	48	48	111	111	80	80					
Variable speed drive	a₉	136	173	173	193	193	217	217	248	274	316					
	k₉	65	95	95	95	95	110	110	130	130	160					
	o₉	135	180	180	180	180	212	212	263	263	320					
	p₉	67	90	90	90	90	106	106	132	132	160					
	w	70	70	70	70	70	105	105	105	105	160					
	x	100	108	108	108	108	147	147	147	147	184					
	o₁₀	17	17	17	17	17	17	17	27	27	39					
Housing	k₂	115	145	145	145	145	145	145	180	180	222					
Gearbox size	Gearbox									Total length						
	o	o₁*	p*	h	h₁	a	k₈	q	k							
GKS 04	203	196	171	100	71	20	38	90.5	554	611	641					
GKS 05	232	230	205	125	80	23	40	103		631	661	679	762		743	
GKS 06	291	277	250	150	100	28	49	121		687	717		818	833	799	912
GKS 07	354	351	310	190	120	34	65	155				791	874		855	905
GKS 09	429	416	386	236	150	41	69	180							976	1039
GKS 11	527	505	485	300	185	54	70	205								1070
																1161

Gearbox size	Solid shaft								Output flange						
	d	l	l₁	l₂	d₂	u	t	a₂	b₂ j7	c₂	e₂	f₂	i₂	s₂	
GKS 04	25	50	4	40	M10	8	28	160	110	10	130	3.5	50	4 x 9	
GKS 05	30	60	6	45	M10	8	33	200	130	12	165	3.5	60	4 x 11	
GKS 06	40	80	7	63	M16	12	43	250	180	14.5	215	4	80	4 x 14	
GKS 07	50	100	8	80	M16	14	53.5	250 300	180 230	14.5 16.5	215 265	4	100	4 x 14	
GKS 09	60	120	8	100	M20	18	64	350	250	18	300	4	120	4 x 17.5	
GKS 11	80	160	15	125	M20	22	85	400 450	300 350	20 22	350 400	5	160	4 x 17.5 8 x 17.5	

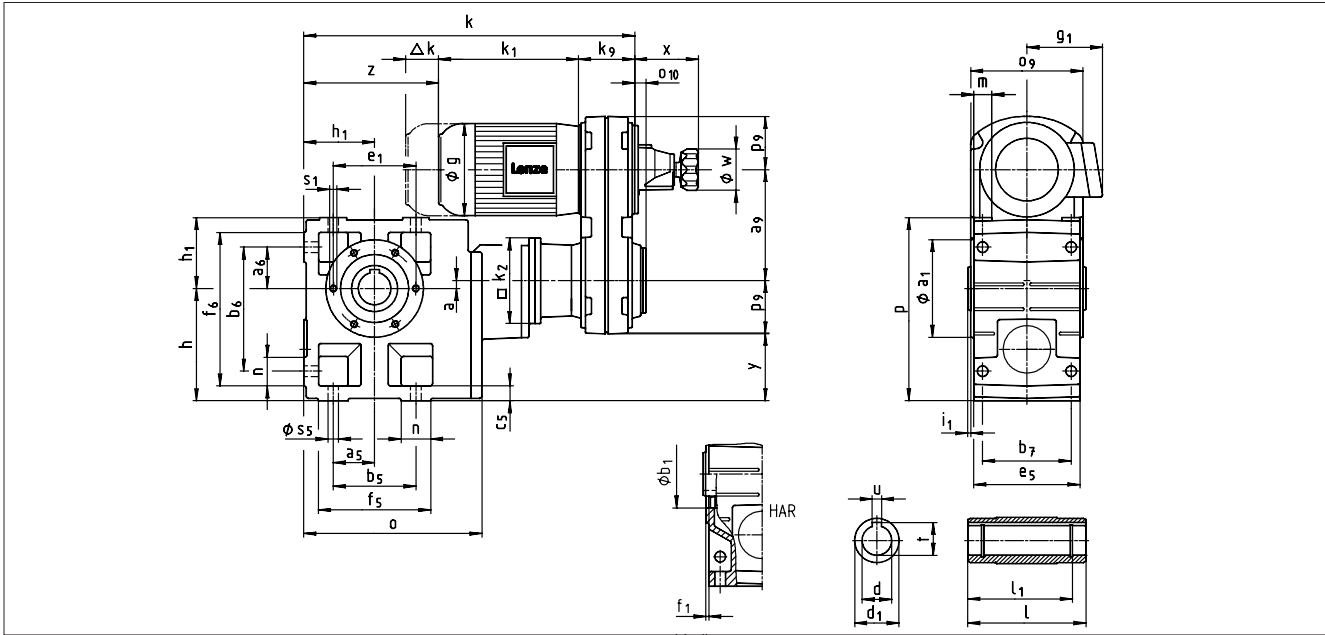
Dimensions in [mm] * Observe dimension k_2 Observe test dimension $y!$ (see page 5-72)

$d \leq 50$ mm: k6
 $d > 50$ mm: m6



Compact units

Dimensions with helical-bevel gearboxes



5

Compact unit		Drive size																				
GKS □□ - 4 K H □ R		071		080		090		100**		112		132		160		180		200		225		
Motor position 6		-12/-32	-32	-12/-32	-12/-32	-12/-32	-12/-32	-12/-32	-22/-32	-22/-32	-22/-32	-22	-32	-22	-32	-22	-32	-32	-12/-22	-12/-22	-12/-22	
		10B	13C	13C	14D	14D	16D	16D	20E	21E	25F	26F	26F	31G	31G	40H	40H	40H	40H	40H	40H	
Motor	g	143	143	160	160	180	180	206	206	222	222	274	323	323	360	360	388	433				
	g₁ Without options	128	128	137	137	147	147	140	140	174	174	196	253	253	275	275	300	319				
	Brake motor	131	131	142	142	154	154	151	151	174	174	212	253	253	275	275	309	327				
	k₁	237	237	267	267	350	350	316	316	379	379	450	564	564	595	595	661	693				
	Δk Brake	54	54	36	36	48	48	111	111	80	80	63	120	120	122	122	167	148				
Variable speed drive	a₉	136	173	173	193	193	217	217	248	274	316	347	347	392	392	500	500	500				
	k₉	65	95	95	95	110	110	130	130	160	160	160	196	196	160	160	160					
	o₉	135	180	180	180	212	212	263	263	320	320	320	394	394	528	528	528					
	p₉	67	90	90	90	106	106	132	132	160	160	160	197	197	264	264	264					
	w	70	70	70	70	105	105	105	105	160	160	160	160	160	200	200	200					
	x	100	108	108	108	147	147	147	147	184	184	184	184	184	320	320	320					
	o₁₀	17	17	17	17	17	17	27	27	39	39	39	39	39	142	142	142					
Housing	k₂	115	145	145	145	145	145	180	180	222	222	222	222	300	300	300						
Gearbox size	Gearbox						Total length															
	o	l*	p*	h	h₁	a	k															
GKS 05	226	140	205	125	80	13	413		470													
GKS 06	288	160	250	150	100	8		543	543													
GKS 07	351	200	310	190	120	11		610		628	628	643	643									
GKS 09	426	240	386	236	150	15				732	732	782	782		815	815						
GKS 11	523	290	485	300	185	16						892	892	923	925	925	939	939				
GKS 14	632	350	605	375	230	22								1056	1058	1058	1072	1072	1053	1053	1053	

Gearbox size	Hollow shaft						Pitch circle					Foot												
	d H7	l	d₁	l₁	u JS9	t +0.2	a₁	b₁ H7	e₁	f₁	i₁	s₁ 6x60°	a₅	a₆	b₅	b₆	b₇	c₅	e₅	f₅	f₆	n	m	s₅
GKS 05	30 35	140	50	124	8 10	33.3 38.3	118	80	100	4	4	M8x15	47.5	47.5	115	140	105	17	127	144	169	29	21	11
GKS 06	40 45	160	65	140	12 14	43.3 48.8	140	100	120	4	5	M10x16	60	60	155	170	120	20	145	191	206	36	23	14
GKS 07	50 55	200	75	175	14 16	53.8 59.3	165	115	140	5	5	M12x18	70	70	190	210	150	25	180	235	255	45	28	18
GKS 09	60 70	240	95	210	18 20	64.4 74.9	205	145	175	6	5	M16x24	90	90	240	266	185	30	222	300	326	60	37	22
GKS 11	70 80	290	105	250	20 22	74.9 85.4	240	140	205	6	6	M20x32	105	105	290	325	225	40	270	363	398	73	43	26
GKS 14	100	350	135	305	28	106.4	290	170	250	6	7	M24x35	135	135	360	415	275	50	328	442	497	82	52	33

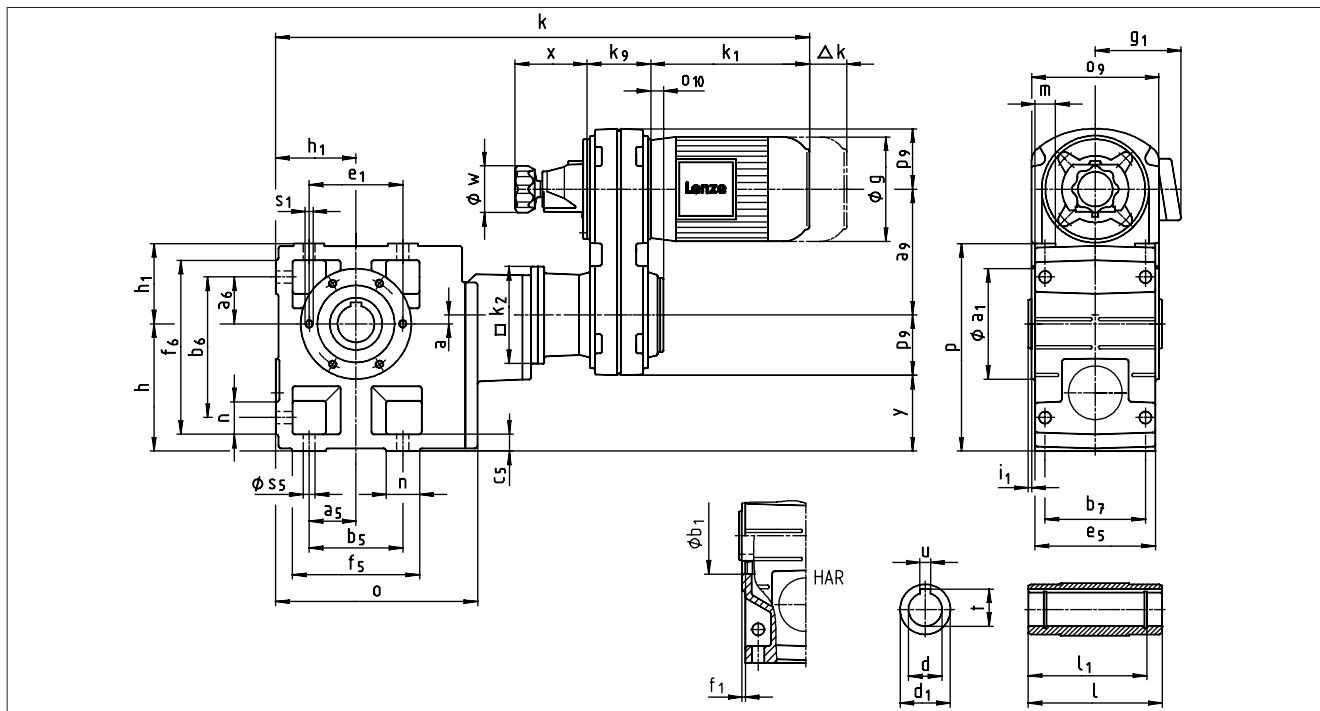
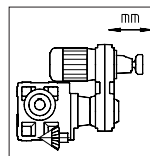
Dimensions in [mm] * Observe dimension k₂ ** With swivel position 2 only terminal box position 2 possible, fan cover opposite terminal box flat
d ≤ 50 mm: k₆
d > 50 mm: m₆

Observe test dimensions z and y! (see page 5-73)

Only swivel positions 3 and 5 possible

Compact units

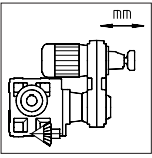
Dimensions with helical-bevel gearboxes



Compact unit		Drive size																				
GKS □□ - 4 K H □ R		071		080		090		100		112												
Motor position 1		-12/-32	-32	-12/-32	-12/-32	-12/-32	-12/-32	-12/-32	-12/-32	-22/-32	-22/-32											
		10B	13C	13C	14D	14D	16D	16D	20E	21E	25F											
Motor	g	143	143	160	160	180	180	206	206	222	222											
	g₁ Without options	128	128	137	137	147	147	140	140	174	174											
	Brake motor	131	131	142	142	154	154	151	151	174	174											
	k₁	237	237	267	267	350	350	316	316	379	379											
	Δk Brake	54	54	36	36	48	48	111	111	80	80											
Variable speed drive	a₉	136	173	173	193	193	217	217	248	274	316											
	k₉	65	95	95	95	95	110	110	130	130	160											
	o₉	135	180	180	180	180	212	212	263	263	320											
	p₉	67	90	90	90	90	106	106	132	132	160											
	w	70	70	70	70	70	105	105	105	105	160											
	x	100	108	108	108	108	147	147	147	147	184											
	o₁₀	17	17	17	17	17	17	17	27	27	39											
Housing	k₂	115	145	145	145	145	145	145	180	180	222											
Gearbox size	Gearbox						Total length															
	o	l*	p*	h	h₁	a	k															
GKS 05	226	140	205	125	80	13	650															
GKS 06	288	160	250	150	100	8		780	810													
GKS 07	351	200	310	190	120	11		847		895	978	993	959									
GKS 09	426	240	386	236	150	15						1082	1048	1098	1161							
GKS 11	523	290	485	300	185	16								1208	1271	1302						
GKS 14	632	350	605	375	230	22										1435						

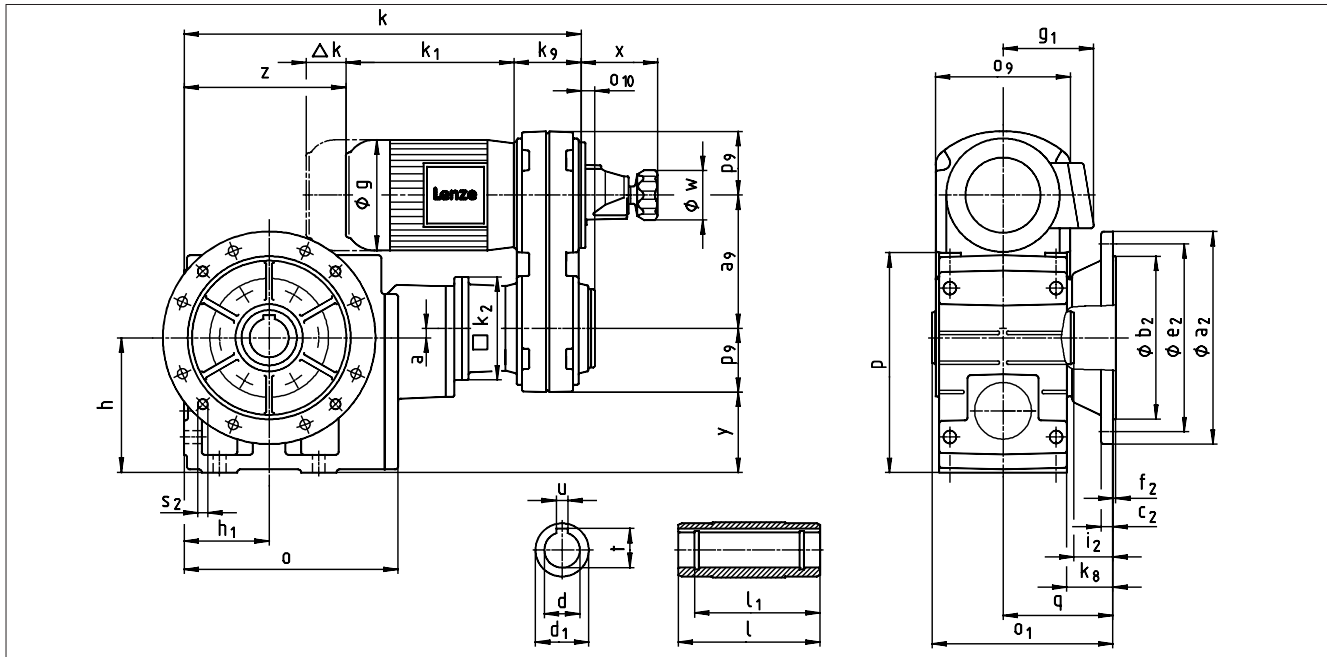
Gearbox size	Hollow shaft						Pitch circle						Foot											
	d	l	d₁	l₁	u	t	a₁	b₁	e₁	f₁	i₁	s₁	a₅	a₆	b₅	b₆	b₇	c₅	e₅	f₅	f₆	n	m	s₅
GKS 05	30 35	140	50	124	8 10	33.3 38.3	118	80	100	4	4	M8x15	47.5	47.5	115	140	105	17	127	144	169	29	21	11
GKS 06	40 45	160	65	140	12 14	43.3 48.8	140	100	120	4	5	M10x16	60	60	155	170	120	20	145	191	206	36	23	14
GKS 07	50 55	200	75	175	14 16	53.8 59.3	165	115	140	5	5	M12x18	70	70	190	210	150	25	180	235	255	45	28	18
GKS 09	60 70	240	95	210	18 20	64.4 74.9	205	145	175	6	5	M16x24	90	90	240	266	185	30	222	300	326	60	37	22
GKS 11	70 80	290	105	250	20 22	74.9 85.4	240	140	205	6	6	M20x32	105	105	290	325	225	40	270	363	398	73	43	26
GKS 14	100	350	135	305	28	106.4	290	170	250	6	7	M24x35	135	135	360	415	275	50	328	442	497	82	52	33

Dimensions in [mm] * Observe dimension k₂ Observe test dimension y! (see page 5-73)



Compact units

Dimensions with helical-bevel gearboxes



5

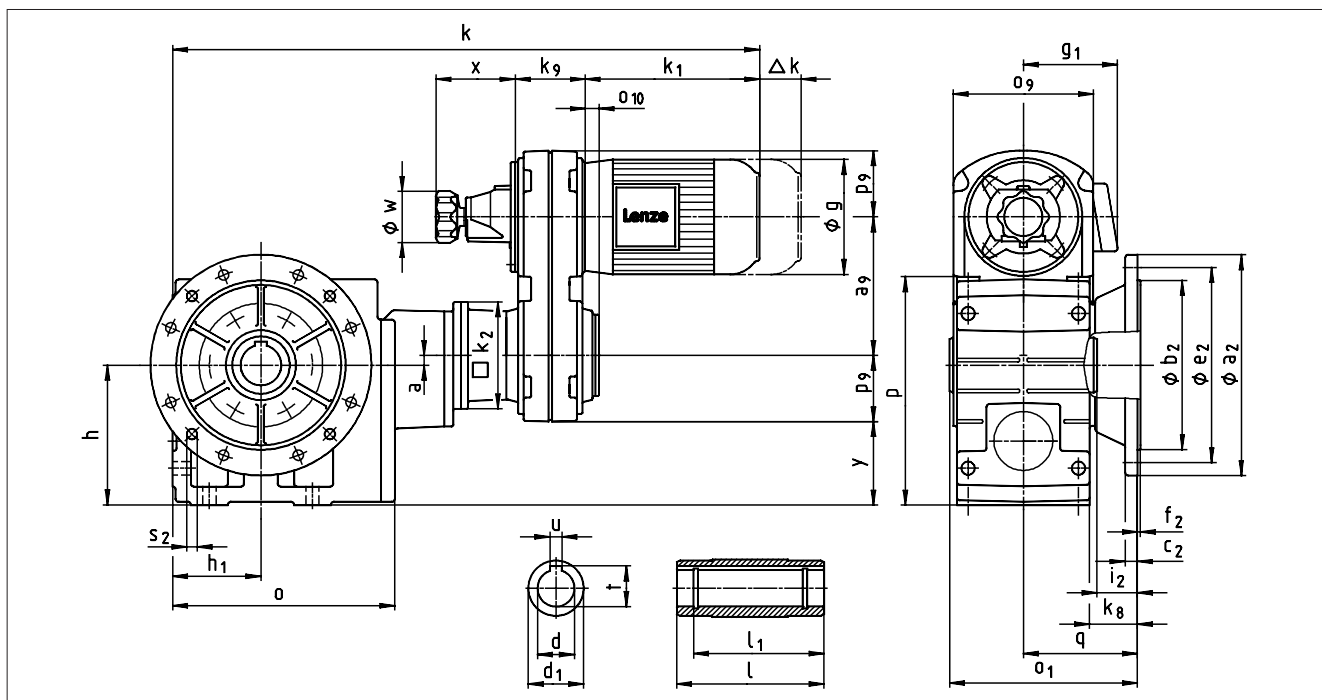
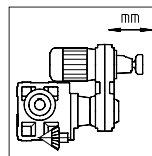
Compact unit		Drive size																					
GKS □ □ - 4 K HAK		071		080		090		100**		112		132		160		180		200		225			
Motor position 6		-12/-32	-32	-12/-32	-12/-32	-12/-32	-12/-32	-12/20E	-22/-32	-22/-32	-22	-32	-22	-32	-22	-32	-32	-32	-12/-22	-12/-22	-12/-22		
		10B	13C	13C	14D	14D	16D	16D	20E	21E	25F	26F	26F	31G	31G	40H	40H	40H	40H	40H	40H		
Motor	g	143	143	160	160	180	180	206	206	222	222	274	323	323	360	360	388	388	433	433	433		
	g₁	Without options	128	128	137	137	147	147	140	140	174	174	196	253	253	275	275	300	300	319	319	319	
		Brake motor	131	131	142	142	154	154	151	151	174	174	212	253	253	275	275	309	309	327	327	327	
	k₁	237	237	267	267	350	350	316	316	379	379	450	564	564	595	595	661	661	693	693	693	693	
	Δk Brake	54	54	36	36	48	48	111	111	80	80	63	120	120	122	122	167	167	148	148	148	148	
Variable speed drive	a₉	136	173	173	193	193	217	217	248	274	316	347	347	392	392	500	500	500	500	500	500		
	k₉	65	95	95	95	95	110	110	130	130	160	160	160	196	196	160	160	160	160	160	160		
	o₉	135	180	180	180	180	212	212	263	263	320	320	320	394	394	528	528	528	528	528	528		
	p₉	67	90	90	90	90	106	106	132	132	160	160	160	197	197	264	264	264	264	264	264		
	w	70	70	70	70	70	105	105	105	105	160	160	160	160	160	200	200	200	200	200	200		
	x	100	108	108	108	108	147	147	147	147	184	184	184	184	184	200	200	200	200	200	200		
	o₁₀	17	17	17	17	17	17	17	27	27	39	39	39	39	39	142	142	142	142	142	142		
Housing	k₂	115	145	145	145	145	145	180	180	222	222	222	222	222	300	300	300	300	300	300	300		
Gearbox size	Gearbox										Total length												
	o	o₁*	p*	h	h₁	a	k₈	q	k														
	GKS 05	226	173	205	125	80	13	40	103	413		470											
	GKS 06	288	201	250	150	100	8	49	121		543	543											
	GKS 07	351	255	310	190	120	11	65	155		610		628	628	643	643							
	GKS 09	426	300	386	236	150	15	69	180				732	732	782	782	815	815					
	GKS 11	523	350	485	300	185	16	70	205				892	892	923	925	925	939	939				
GKS 14	632	410	605	375	230	22	71	235						1056	1058	1058	1072	1072	1053	1053	1053	1053	

Gearbox size	Hollow shaft						Output flange						
	d H7	l	d ₁	l ₁	u JS9	t +0.2	a ₂	b ₂ j7	c ₂	e ₂	f ₂	i ₂	s ₂
GKS 05	30 35	140	50	124	8 10	33.3 38.3	200	130	12	165	3.5	33	4 x 11
GKS 06	40 45	160	65	140	12 14	43.3 48.8	200 250	130 180	12 14.5	165 215	3.5 4	42 41	4 x 11 4 x 14
GKS 07	50 55	200	75	175	14 16	53.8 59.3	250 300	180 230	14.5 16.5	215 265	4	55	4 x 14
GKS 09	60 70	240	95	210	18 20	64.4 74.9	350	250	18	300	4	60	4 x 17.5
GKS 11	70 80	290	105	250	20 22	74.9 85.4	400 450	300 350	20 22	350 400	5	60	4 x 17.5 8 x 17.5
GKS 14	100	350	135	305	28	106.4	450	350	22	400	5	60	8 x 17.5

Dimensions in [mm] * Observe dimension k₂ ** With swivel position 2 only terminal box position 2 possible, fan cover opposite terminal box flat
 d ≤ 50 mm: k6 With customer motors: Observe distance between motor and gearbox!
 d > 50 mm: m6
 Observe test dimensions z and y! (see page 5-73) Only swivel positions 3 and 5 possible

Compact units

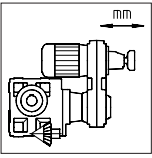
Dimensions with helical-bevel gearboxes



Compact unit GKS □□ - 4 K HAK Motor position 1		Drive size												
		071		080		090		100		112				
		-12/-32	-32	-12/-32	13C	14D	14D	16D	16D	20E	21E	25F		
Motor	g	143	143	160	160	180	180	206	206	222	222			
	g₁ Without options	128	128	137	137	147	147	140	140	174	174			
	Brake motor	131	131	142	142	154	154	151	151	174	174			
	k₁	237	237	267	267	350	350	316	316	379	379			
	Δk Brake	54	54	36	36	48	48	111	111	80	80			
Variable speed drive	a₉	136	173	173	193	193	217	217	248	274	316			
	k₉	65	95	95	95	95	110	110	130	130	160			
	o₉	135	180	180	180	180	212	212	263	263	320			
	p₉	67	90	90	90	90	106	106	132	132	160			
	w	70	70	70	70	70	105	105	105	105	160			
	x	100	108	108	108	108	147	147	147	147	184			
Housing	o₁₀	17	17	17	17	17	17	17	27	27	39			
	k₂	115	145	145	145	145	145	145	180	180	222			
Gearbox size	Gearbox								Total length					
	o	o₁*	p*	h	h₁	a	k₈	q	k					
GKS 05	226	173	205	125	80	13	40	103	650		737			
GKS 06	288	201	250	150	100	8	49	121		780	810			
GKS 07	351	255	310	190	120	11	65	155		847		895	978	993
GKS 09	426	300	386	236	150	15	69	180						1082
GKS 11	523	350	485	300	185	16	70	205						1048
GKS 14	632	410	605	375	230	22	71	235						1098
														1161
														1208
														1271
														1302
														1435

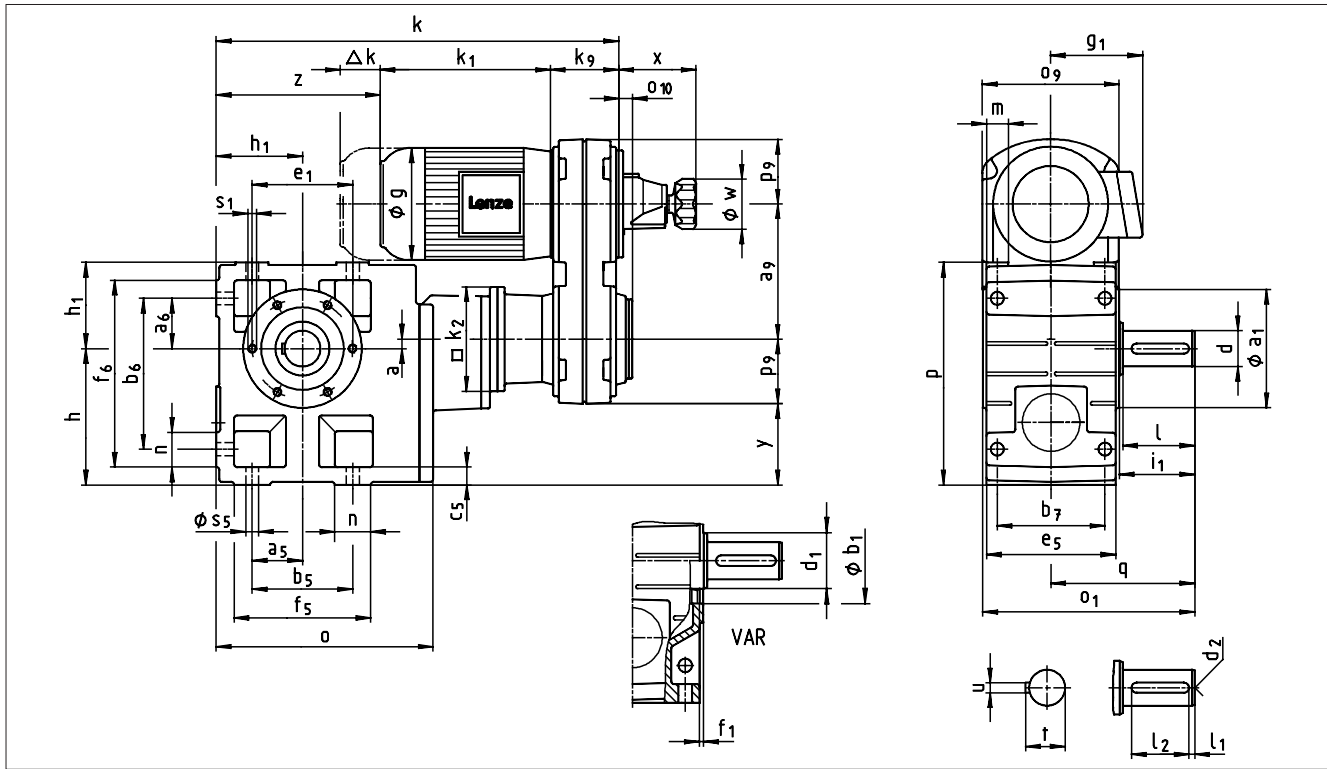
Gearbox size	d H7	l	Hollow shaft				Output flange							
			d₁	l₁	u JS9	t +0.2	a₂	b₂ j7	c₂	e₂	f₂	i₂	s₂	
GKS 05	30 35	140	50	124	8 10	33.3 38.3	200	130	12	165	3.5	33	4 x 11	
GKS 06	40 45	160	65	140	12 14	43.3 48.8	200 250	130 180	12 14.5	165 215	3.5 4	42 41	4 x 11 4 x 14	
GKS 07	50 55	200	75	175	14 16	53.8 59.3	250 300	180 230	14.5 16.5	215 265	4	55	4 x 14	
GKS 09	60 70	240	95	210	18 20	64.4 74.9	350	250	18	300	4	60	4 x 17.5	
GKS 11	70 80	290	105	250	20 22	74.9 85.4	400 450	300 350	20 22	350 400	5	60	4 x 17.5 8 x 17.5	
GKS 14	100	350	135	305	28	106.4	450	350	22	400	5	60	8 x 17.5	

Dimensions in [mm] * Observe dimension k₂ Observe test dimension y! (see page 5-73)



Compact units

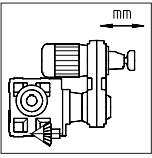
Dimensions with helical-bevel gearboxes



Compact unit		Drive size																					
GKS □□ - 4 KV □R		071		080		090		100**		112		132		160		180		200		225			
Motor position 6		-12/-32	-32	-12/-32	-12/-32	-12/-32	-12/-32	-12/-32	-22/-32	-22/-32	-22/-32	-22	-32	-22	-32	-22	-32	-32	-12/-22	-12/-22	-12/-22		
		10B	13C	13C	14D	14D	16D	16D	20E	21E	25F	26F	26F	31G	31G	40H	40H	40H	40H	40H	40H		
Motor	g	143	143	160	160	180	180	206	206	222	222	274	323	323	360	360	388	433					
	g₁ Without options	128	128	137	137	147	147	140	140	174	174	196	253	253	275	275	300	319					
	Brake motor	131	131	142	142	154	154	151	151	174	174	212	253	253	275	275	309	327					
	k₁	237	237	267	267	350	350	316	316	379	379	450	564	564	595	595	661	693					
Variable speed drive	Δk Brake	54	54	36	36	48	48	111	111	80	80	63	120	120	122	122	167	148					
	a₉	136	173	173	193	193	217	217	248	274	316	347	347	392	392	500	500	500					
	k₉	65	95	95	95	95	110	110	130	130	160	160	160	196	196	160	160	160					
	o₉	135	180	180	180	180	212	212	263	263	320	320	320	394	394	528	528	528					
	p₉	67	90	90	90	90	106	106	132	132	160	160	160	197	197	264	264	264					
	w	70	70	70	70	70	105	105	105	105	160	160	160	160	160	200	200	200					
	x	100	108	108	108	108	147	147	147	147	184	184	184	184	184	320	320	320					
Housing	o₁₀	17	17	17	17	17	17	17	27	27	39	39	39	39	39	142	142	142					
	k₂	115	145	145	145	145	145	145	180	180	222	222	222	222	222	300	300	300					
Gearbox	Gearbox		Total length																				
	o	o₁*	p*	h	h₁	a	q	k															
	GKS 05	226	197	205	125	80	13	130	413		470												
	GKS 06	288	236	250	150	100	8	160		543	543												
	GKS 07	351	296	310	190	120	11	200		610		628	628	643	643								
	GKS 09	426	356	386	236	150	15	240				732	732	782	782	815	815						
	GKS 11	523	445	485	300	185	16	305						892	892	923	925	925	939	939			
GKS 14	632	544	605	375	230	22	375								1056	1058	1058	1072	1072	1053	1053	1053	

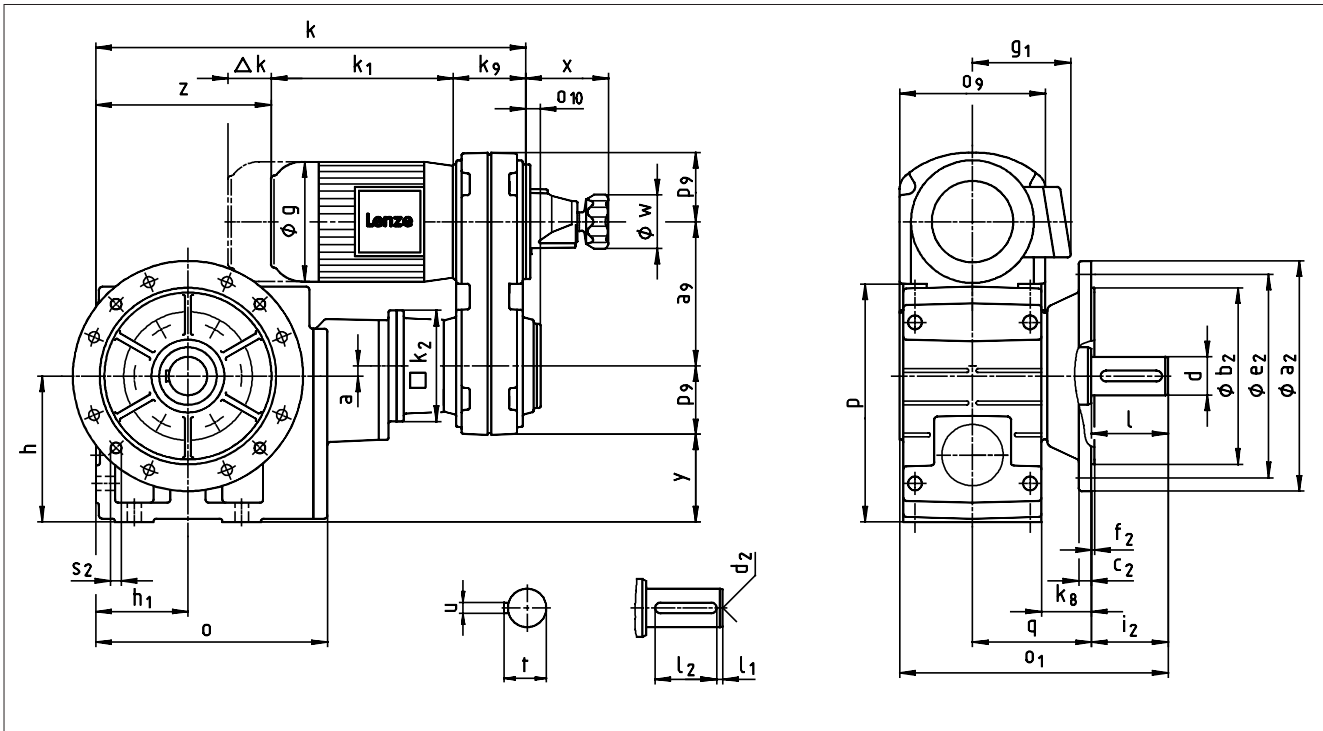
Gearbox size	Solid shaft								Pitch circle						Foot											
	d	l	d ₁	l ₁	l ₂	d ₂	u	t	a ₁	b ₁	e ₁	f ₁	i ₁	s ₁	a ₅	a ₆	b ₅	b ₆	b ₇	c ₅	e ₅	f ₅	f ₆	n	m	s ₅
GKS 05	30	60	50	6	45	M10	8	33	118	80	100	4	64	M8x15	47.5	47.5	115	140	105	17	127	144	169	29	21	11
GKS 06	40	80	65	7	63	M16	12	43	140	100	120	4	85	M10x16	60	60	155	170	120	20	145	191	206	36	23	14
GKS 07	50	100	75	8	80	M16	14	53.5	165	115	140	5	105	M12x18	70	70	190	210	150	25	180	235	255	45	28	18
GKS 09	60	120	95	8	100	M20	18	64	205	145	175	6	125	M16x24	90	90	240	266	185	30	222	300	326	60	37	22
GKS 11	80	160	105	15	125	M20	22	85	240	140	205	6	166	M20x32	105	105	290	325	225	40	270	363	398	73	43	26
GKS 14	100	200	135	18	160	M24	28	106	290	170	250	6	207	M24x35	135	135	360	415	275	50	328	442	497	82	52	33

Dimensions in [mm] * Observe dimension k₂ ** With swivel position 2 only terminal box position 2 possible, fan cover opposite terminal box flat
 d ≤ 50 mm: k₆ With customer motors: Observe distance between motor and gearbox!
 d > 50 mm: m₆
 Observe test dimensions z and y! (see page 5-73) Only swivel positions 3 and 5 possible



Compact units

Dimensions with helical-bevel gearboxes



5

Compact unit		Drive size																							
GKS <input type="checkbox"/> <input type="checkbox"/> - 4 K VAK		071		080		090		100**		112		132		160		180		200		225					
Motor position 6		-12/-32	-32	-12/-32	-12/-32	-12/-32	-12/-32	-12/-32	-12/-32	-22/-32	-22/-32	-22	-32	-22	-32	-22	-32	-32	-12/-22	-12/-22	-12/-22				
		10B	13C	13C	14D	14D	16D	16D	20E	21E	25F	26F	26F	31G	31G	40H	40H	40H	40H	40H	40H				
Motor	g	143	143	160	160	180	180	206	206	222	222	274	323	323	360	360	388	433							
	g₁ Without options	128	128	137	137	147	147	140	140	174	174	196	253	253	275	275	300	319							
	Brake motor	131	131	142	142	154	154	151	151	174	174	212	253	253	275	275	309	327							
	k₁	237	237	267	267	350	350	316	316	379	379	450	564	564	595	595	661	693							
	Δk Brake	54	54	36	36	48	48	111	111	80	80	63	120	120	122	122	167	148							
Variable speed drive	a₉	136	173	173	193	193	217	217	248	274	316	347	347	392	392	500	500	500							
	k₉	65	95	95	95	95	110	110	130	130	160	160	160	196	196	160	160	160							
	o₉	135	180	180	180	180	212	212	263	263	320	320	320	394	394	528	528	528							
	p₉	67	90	90	90	90	106	106	132	132	160	160	160	197	197	264	264	264							
	w	70	70	70	70	70	105	105	105	105	160	160	160	160	160	200	200	200							
	x	100	108	108	108	108	147	147	147	147	184	184	184	184	184	320	320	320							
	o₁₀	17	17	17	17	17	17	17	27	27	39	39	39	39	39	142	142	142							
Housing	k₂	115	145	145	145	145	145	180	180	222	222	222	222	222	300	300	300								
Gearbox size	Gearbox								Total length																
	o	o₁*	p*	h	h₁	a	k₈	q	k																
	GKS 05	226	230	205	125	80	13	40	103	413															
	GKS 06	288	277	250	150	100	8	49	121		543	543													
	GKS 07	351	351	310	190	120	11	65	155		610		628	628	643	643									
	GKS 09	426	416	386	236	150	15	69	180				732	732	782	782	815	815							
	GKS 11	523	505	485	300	185	16	70	205				892	892	923	925	925	939	939						
GKS 14	632	604	605	375	230	22	71	235						1056	1058	1058	1072	1072	1053	1053	1053				

Gearbox size	Solid shaft								Output flange						
	d	l	l₁	l₂	d₂	u	t	a₂	b₂ j7	c₂	e₂	f₂	i₂	s₂	
GKS 05	30	60	6	45	M10	8	33	200	130	12	165	3.5	60	4 x 11	
GKS 06	40	80	7	63	M16	12	43	250	180	14.5	215	4	80	4 x 14	
GKS 07	50	100	8	80	M16	14	53.5	250	180	14.5	215	4	100	4 x 14	
GKS 09	60	120	8	100	M20	18	64	300	230	16.5	265	4	120	4 x 14	
GKS 11	80	160	15	125	M20	22	85	350	250	18	300	4	160	4 x 17.5	
GKS 14	100	200	18	160	M24	28	106	400	300	20	350	5	200	8 x 17.5	
								450	350	22	400	5	200	8 x 17.5	

Dimensions in [mm] * Observe dimension k₂ ** With swivel position 2 only terminal box position 2 possible, fan cover opposite terminal box flat

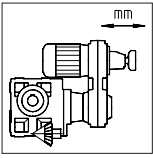
d ≤ 50 mm: k6

With customer motors: Observe distance between motor and gearbox!

d > 50 mm: m6

Observe test dimensions z and y! (see page 5-73)

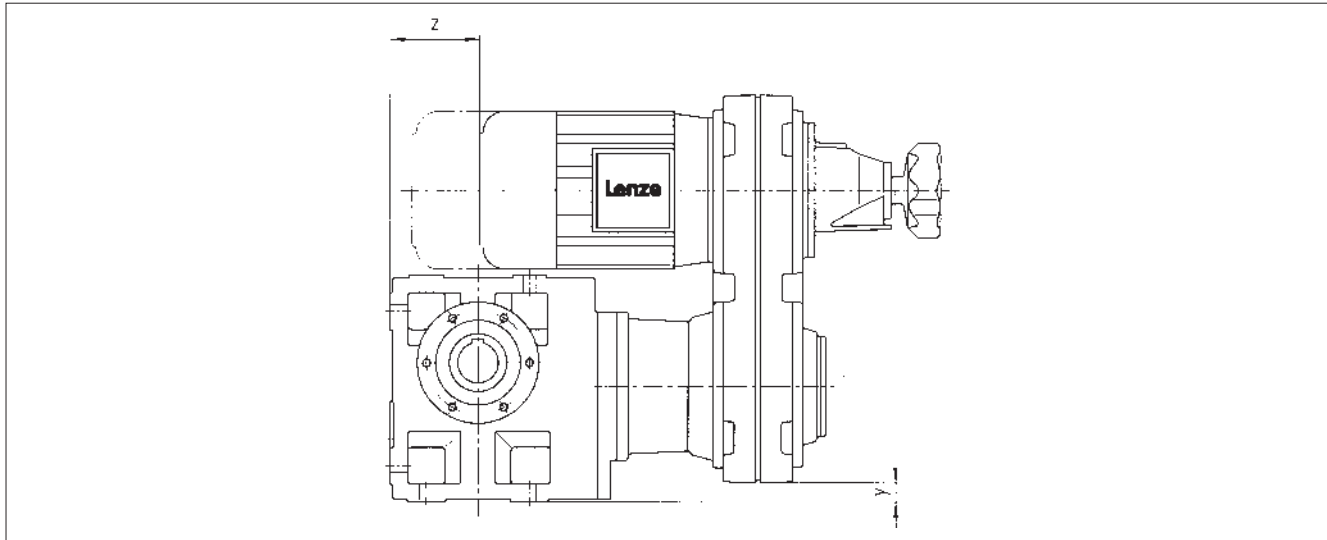
Only swivel positions 3 and 5 possible



Compact units

Dimensions with helical-bevel gearboxes

Test dimensions

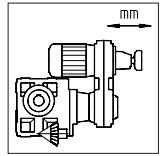


Compact unit GKS □ □ - 3 K □ □ □ Motor position 6	Drive size																			
	071		080		090		100		112		132		160		180		200		225	
	-12/-32	-32	-12/-32	-12/-32	-12/-32	-12/-32	-12/-32	-22/-32	-22/-32	-22/-32	-22	-32	-22	-32	-22	-32	-32	-12/-22		
	10B	13C	13C	14D	14D	16D	16D	20E	21E	25F	26F	31G	26F	31G	31G	40H	40H	40H		
Gearbox size	Test dimension z																			
GKS 04	15	42	12																	
GKS 05		62	32	50	-34		1													
GKS 06		118	88		23	23	57		24		-45	-159								
GKS 07				162	79		113		143	80	12	-103	-125	-156						
GKS 09								214	151	152	83	-32	-54	-85	-68	-134	-166			
GKS 11										243	174	152	60	38	7	24	-43	-75		
GKS 14												251		137	106	123	57	25		
	Test dimension y																			
GKS 04	13	-10	-10																	
GKS 05		12	12	12	12		-4													
GKS 06		32	32		32	16	16		-10		-38	-38								
GKS 07				66	66		50		24	24		-4	-41	-41						
GKS 09								63	63	35	35	35	-2	-2	-69	-69	-69			
GKS 11										86	86	49	86	49	49	-18	-18	-18		
GKS 14												111		111	111	44	44	44		

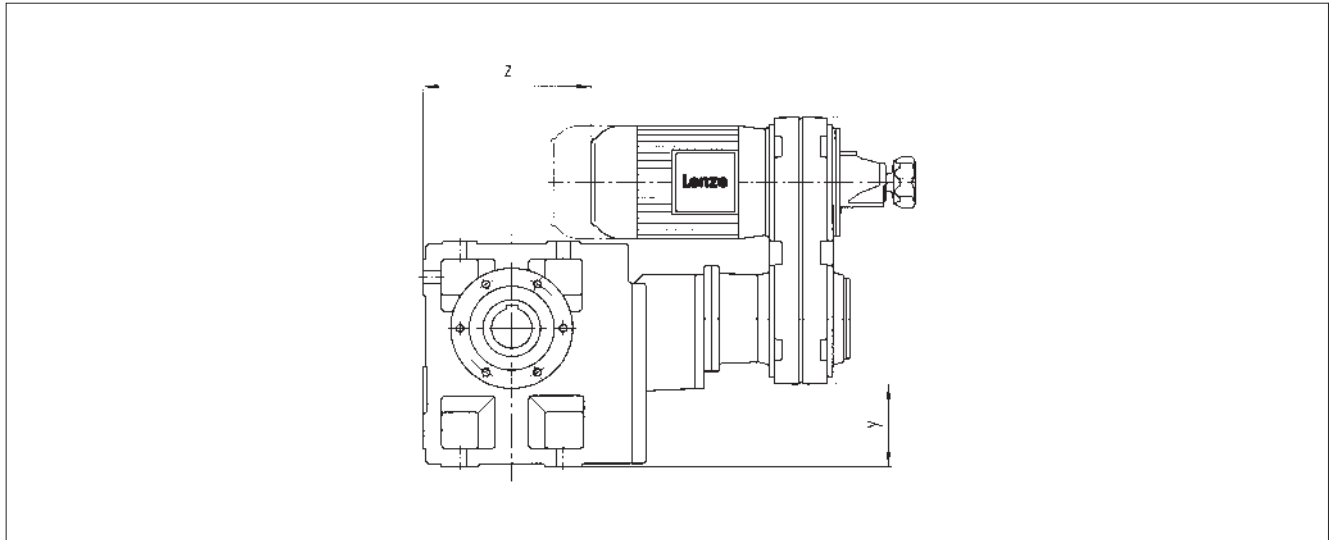
Dimensions in [mm]

Compact units

Dimensions with helical-bevel gearboxes

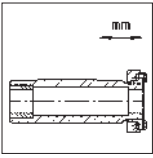


Test dimensions



Compact unit GKS □□ - 4 K □□□	Drive size																		
	071		080		090		100		112		132		160		180		200		225
	-12/-32	-32	-12/-32	-12/-32	-12/-32	-12/-32	-12/-32	-22/-32	-22/-32	-22/-32	-22	-32	-22	-32	-22	-32	-32	-12/-22	
	10B	13C	13C	14D	14D	16D	16D	20E	21E	25F	26F	26F	31G	31G	40H	40H	40H	40H	
Gearbox size																			
Test dimension z																			
GKS 05	111		108																
GKS 06		211	181																
GKS 07		278		266	183	183	217												
GKS 09						272	302	336	273		205	91							
GKS 11								446	383	384	315	201	179	148					
GKS 14										517	448	334	312	281	298	232	200		
Test dimension y																			
GKS 05	71		48																
GKS 06		68	68																
GKS 07		111		111	111	95	95												
GKS 09						145	145	119	119		91	91							
GKS 11								184	184	156	156	156	119	119					
GKS 14										237	237	237	200	200	133	133	133		

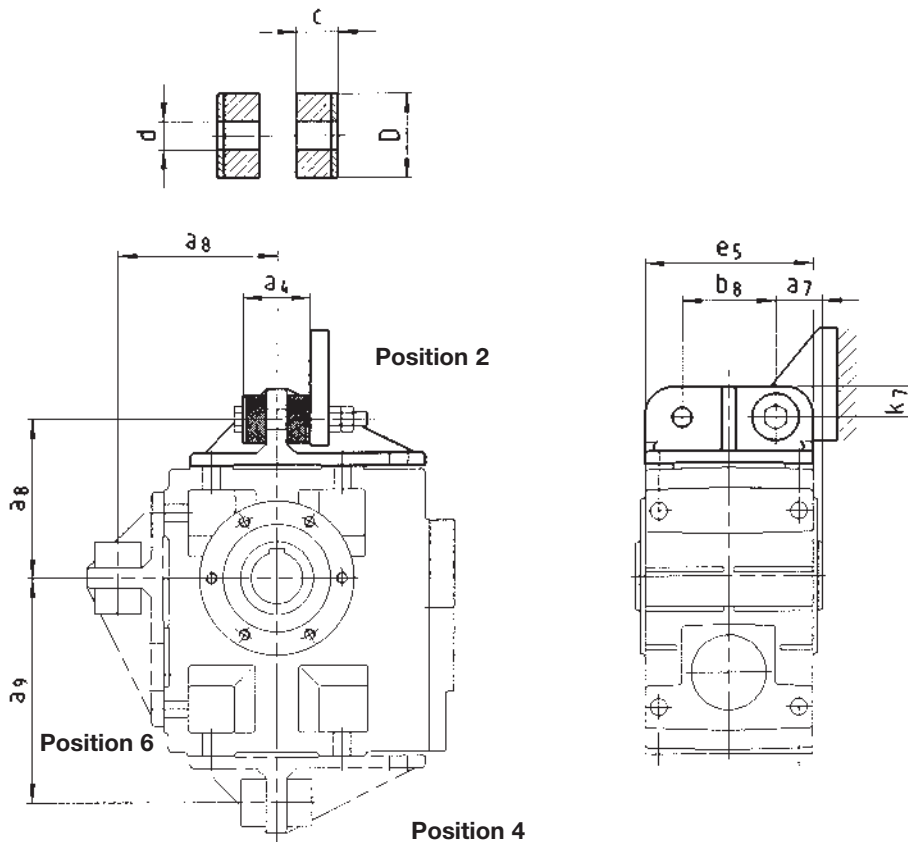
Dimensions in [mm]



Compact units

Additional dimensions GKS □ □

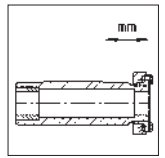
Torque plate at housing foot



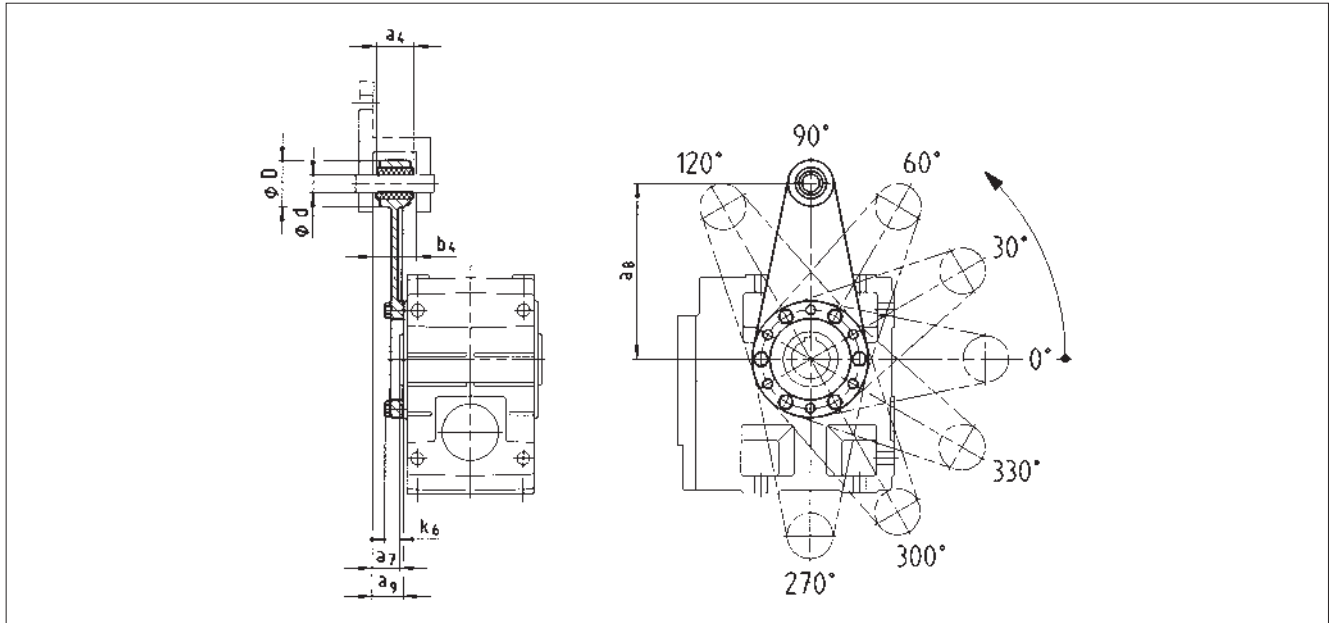
5

Gearbox size	a_4	a_7	a_8	a_9	b_8	c	d	D	e_5	k_7
GKS 04	41	27.5	106	135	60	14.5	11	30	100	20
GKS 05	45	35	115	160	70	15	13	40	127	25
GKS 06	72	40	145	195	80	27	17	50	145	30
GKS 07	78	50	170	240	100	28	21	60	180	35
GKS 09	86	60	214	300	120	29	26	72	222	46
GKS 11	94	72.5	260	375	145	30	33	92	270	55
GKS 14	100	85	320	465	180	30	39	110	328	70

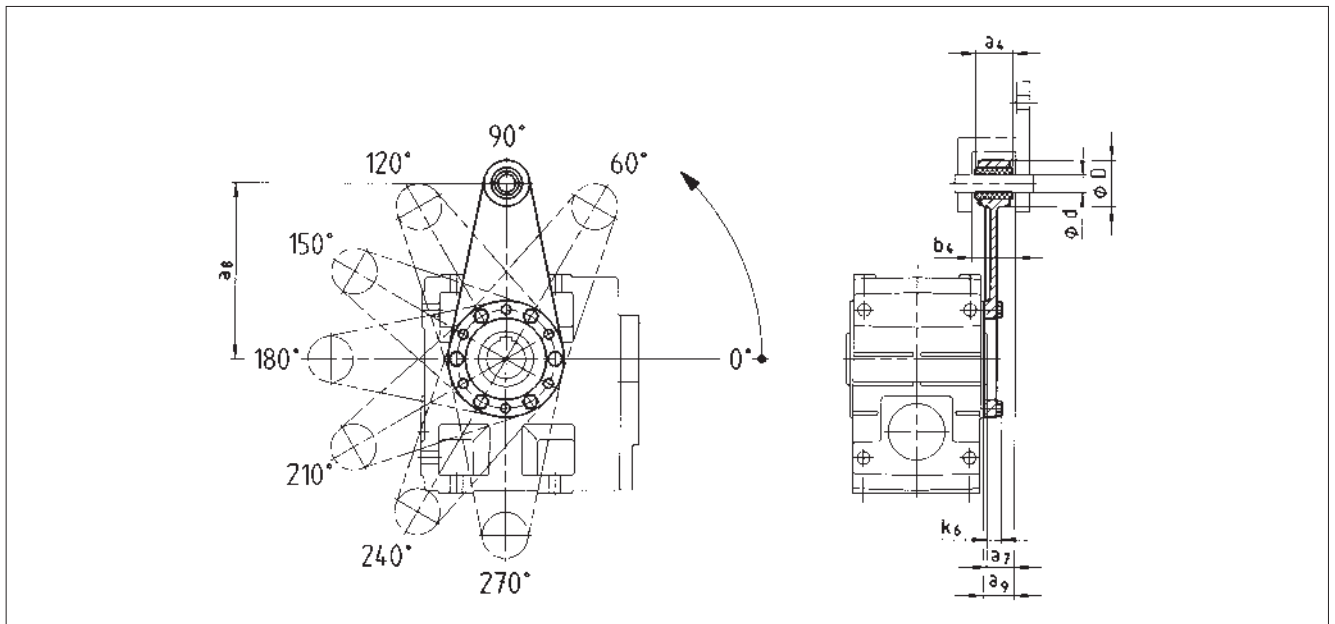
Dimensions in [mm]



Torque plate at pitch circle in position 3



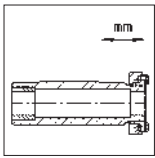
Torque plate at pitch circle in position 5



5

Gearbox size	Mounting space		Torque plate					
	a ₇	b ₄	a ₄	a ₈	a ₉	d	D	k ₆
GKS 04	24	34.5	30	130	26.5	12	35	16
GKS 05	23.5	38.5	34	160	27.5	16	45	15
GKS 06	28	44.5	40	200	33	20	50	18
GKS 07	32.5	50.5	46	250	37.5	25	65	21

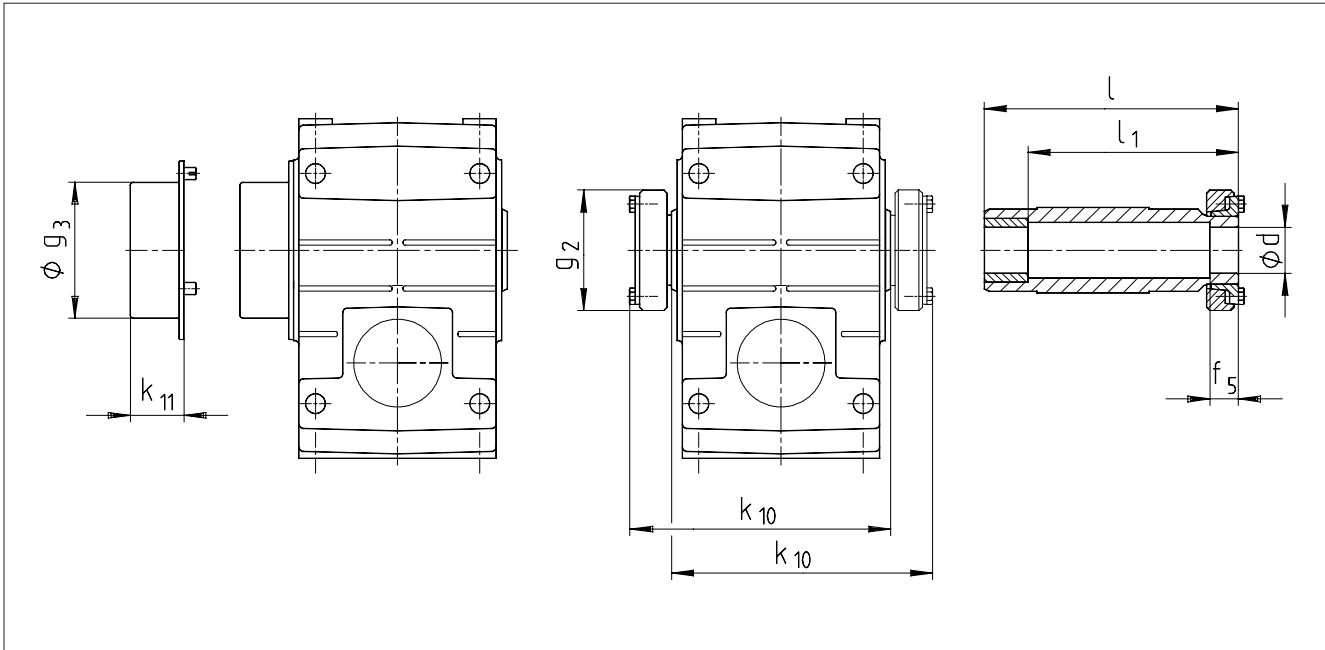
Dimensions in [mm]



Compact units

Additional dimensions GKS □ □

Hollow shaft with shrink disc

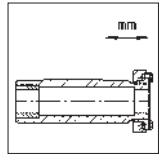


Gearbox size	Machine shaft*		Hollow shaft			Gearbox		Protection cover	
	d	Fit	l	l ₁	f ₅	G ₂	k ₁₀	g ₃	k ₁₁
GKS 04	25 30	h6	142	122	26	72	146	79	41
GKS 05	35	h6	168	148	28	80	171	90	43
GKS 06	40	h6	194	164	30	90	197	100	49
GKS 07	50	h6	232	192	26	110	234	124	49
GKS 09	65	h6	278	228	30	141	281	159	52
GKS 11	80	h6	338	238	42	170	344	191	65
GKS 14	100	h6	407	307	55	215	415	253	78

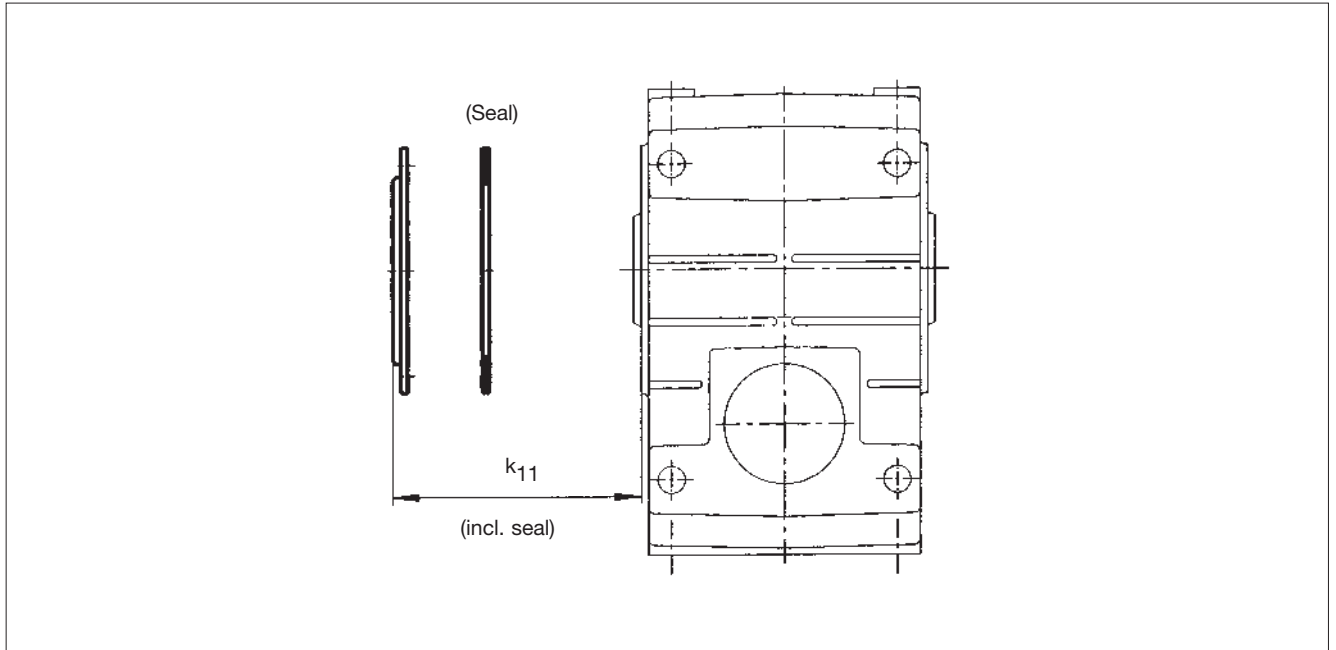
* Ensure sufficient strength of shaft material for shrink disc designs. When using customary steel (e.g. C45, 42CrMo4), the torques indicated in the selection tables can be transferred without any reservation. When using materials of a lower strength, please contact Lenze.

The average peak-to-valley height R_z should not exceed 15 μm . (Turning operation is sufficient).

Dimensions in [mm]

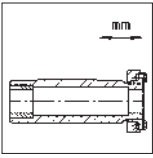


Hollow shaft retention – jet-proof



Gearbox size	Protection cover k ₁₁
GKS 04	9
GKS 05	10
GKS 06	11
GKS 07	11
GKS 09	54
GKS 11	67
GKS 14	80

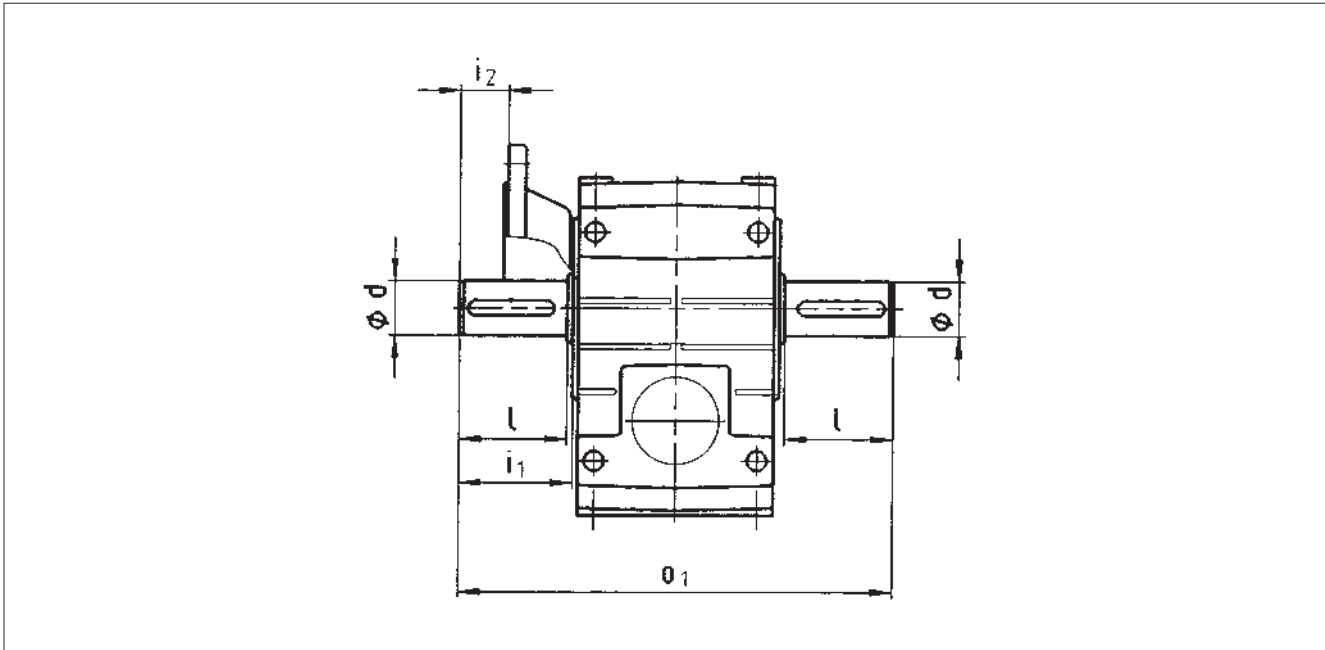
Dimensions in [mm]



Compact units

Additional dimensions GKS

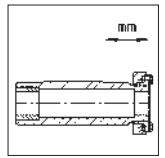
Gearbox with 2nd output shaft end



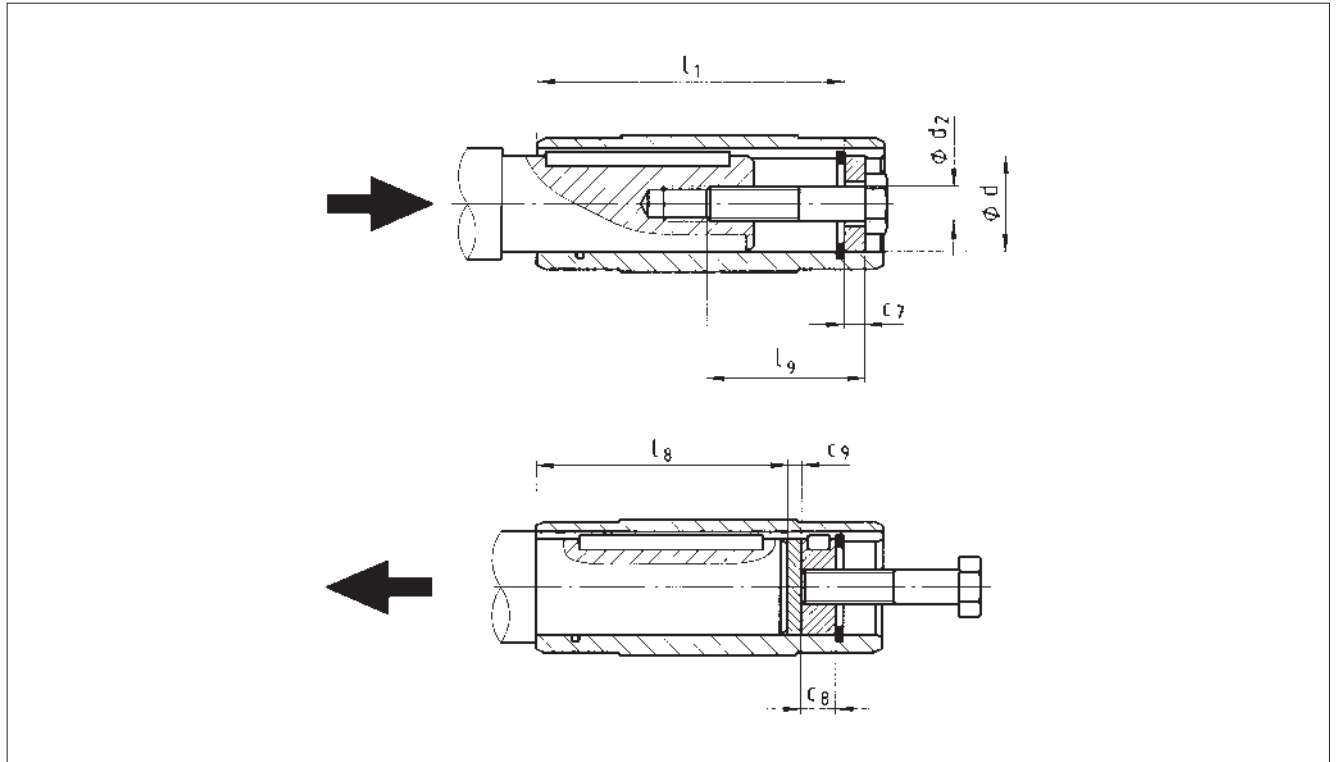
Gearbox size	d	l	i_1	i_2	o_1
GKS 04	25	50	52.5	17	215
GKS 05	30	60	64	27	260
GKS 06	40	80	85	39	320
GKS 07	50	100	105	45	400
GKS 09	60	120	125	60	480
GKS 11	80	160	166	100	610
GKS 14	100	200	207	140	750

Dimensions in [mm]

5

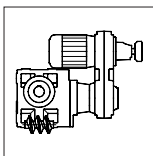


Mounting kit – hollow shaft retention · Design proposal for auxiliary tools



Gearbox size	Hollow shaft (design H)			Mounting kit – hollow shaft retention (Auxiliary tool – mounting)			Auxiliary tool Disassembly		Machine shaft max l ₈
	l	l ₁	d H7	d ₂	l ₉	c ₇	c ₈	c ₉	
GKS 04	115	100	25 30	M10 M10	40	5 6	10	3	85
GKS 05	140	124	30 35	M10 M12	40 50	6 7	10 12	3	107
GKS 06	160	140	40 45	M16	60	8 9	16	4	118
GKS 07	200	175	50 55	M16 M20	60 80	10 11	16 20	5	148
GKS 09	240	210	60 70	M20	80	13 14	20	5	182
GKS 11	290	250	70 80	M20	80	14 16	20	6	221
GKS 14	350	305	100	M24	100	20	24	8	270

Dimensions in [mm]



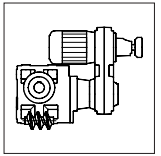
Compact units

Selection tables with helical-worm gearboxes

P ₁	50 Hz		i	Compact unit	Dim. Page
	n ₂ [min ⁻¹]	M ₂ [Nm]			
0.25 kW				GSS □□ - 2K	5-90
	597 - 108	2.2 - 16	5.639	GSS04 - 2K □□□ 071-12 10B	
	436 - 79	3.0 - 22	7.733	GSS04 - 2K □□□ 071-12 10B	
	340 - 62	3.7 - 28	9.897	GSS04 - 2K □□□ 071-12 10B	
	272 - 49	4.7 - 34	12.400	GSS04 - 2K □□□ 071-12 10B	
	212 - 38	6.0 - 43	15.869	GSS04 - 2K □□□ 071-12 10B	
	165 - 30	7.2 - 51	20.417	GSS04 - 2K □□□ 071-12 10B	
	136 - 25	9.3 - 63	24.800	GSS04 - 2K □□□ 071-12 10B	
	106 - 19	12 - 80	31.738	GSS04 - 2K □□□ 071-12 10B	
	86 - 16	15 - 97	39.200	GSS04 - 2K □□□ 071-12 10B	
	67 - 12	20 - 123	50.000	GSS04 - 2K □□□ 071-12 10B	
	55 - 9.9	25 - 149	61.250	GSS04 - 2K □□□ 071-12 10B	
	44 - 7.9	32 - 180	77.000	GSS04 - 2K □□□ 071-12 10B	
	34 - 6.1	41 - 180	99.167	GSS04 - 2K □□□ 071-12 10B	
	27 - 4.8	53 - 180	125.682	GSS04 - 2K □□□ 071-12 10B	
	21 - 3.9	66 - 180	157.500	GSS04 - 2K □□□ 071-12 10B	
				GSS □□ - 3K	5-98
	22 - 4.0	64 - 310	153.708	GSS05 - 3K □□□ 071-12 10B	
	17 - 3.2	81 - 324	193.233	GSS05 - 3K □□□ 071-12 10B	
	13 - 2.4	104 - 352	250.952	GSS05 - 3K □□□ 071-12 10B	
	11 - 2.0	127 - 352	307.417	GSS05 - 3K □□□ 071-12 10B	
	8.7 - 1.6	159 - 352	386.467	GSS05 - 3K □□□ 071-12 10B	
	6.8 - 1.2	201 - 359	497.722	GSS05 - 3K □□□ 071-12 10B	
	5.3 - 1.0	250 - 360	630.803	GSS05 - 3K □□□ 071-12 10B	
	4.3 - 0.8	304 - 360	790.500	GSS05 - 3K □□□ 071-12 10B	
	3.8 - 0.7	339 - 360	892.500	GSS05 - 3K □□□ 071-12 10B	
0.37 kW				GSS □□ - 2K	5-90
	597 - 108	3.4 - 16	5.639	GSS04 - 2K □□□ 071-32 10B	
	583 - 110	3.5 - 23	5.639	GSS04 - 2K □□□ 071-32 13C	
	436 - 79	4.8 - 22	7.733	GSS04 - 2K □□□ 071-32 10B	
	425 - 80	4.7 - 32	7.733	GSS04 - 2K □□□ 071-32 13C	
	340 - 62	6.0 - 28	9.897	GSS04 - 2K □□□ 071-32 10B	
	332 - 63	6.1 - 40	9.897	GSS04 - 2K □□□ 071-32 13C	
	272 - 49	7.5 - 34	12.400	GSS04 - 2K □□□ 071-32 10B	
	265 - 50	7.5 - 49	12.400	GSS04 - 2K □□□ 071-32 13C	
	207 - 39	10.0 - 63	15.869	GSS04 - 2K □□□ 071-32 13C	
	212 - 38	9.7 - 43	15.869	GSS04 - 2K □□□ 071-32 10B	
	161 - 30	12 - 74	20.417	GSS04 - 2K □□□ 071-32 13C	
	165 - 30	11 - 51	20.417	GSS04 - 2K □□□ 071-32 10B	
	133 - 25	15 - 92	24.800	GSS04 - 2K □□□ 071-32 13C	
	136 - 25	15 - 63	24.800	GSS04 - 2K □□□ 071-32 10B	
	104 - 20	20 - 118	31.738	GSS04 - 2K □□□ 071-32 13C	
	106 - 19	19 - 81	31.738	GSS04 - 2K □□□ 071-32 10B	

Thermal limit not considered (see note on page 3-12)

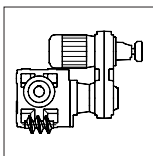
Marked in grey: Only swivel position 3 or 5 possible!



P ₁	50 Hz		i	Compact unit	Dim. Page
	n ₂ [min ⁻¹]	M ₂ [Nm]			
0.37 kW				GSS □□ - 2K	5-90
	84 - 16	24 - 143	39.200	GSS04 - 2K □□□ 071-32 13C	
	86 - 16	23 - 98	39.200	GSS04 - 2K □□□ 071-32 10B	
	66 - 12	31 - 180	50.000	GSS04 - 2K □□□ 071-32 13C	
	67 - 12	30 - 124	50.000	GSS04 - 2K □□□ 071-32 10B	
	54 - 10	39 - 180	61.250	GSS04 - 2K □□□ 071-32 13C	
	55 - 9.9	38 - 150	61.250	GSS04 - 2K □□□ 071-32 10B	
	43 - 8.1	49 - 180	77.000	GSS04 - 2K □□□ 071-32 13C	
	44 - 7.9	48 - 180	77.000	GSS04 - 2K □□□ 071-32 10B	
	33 - 6.3	64 - 180	99.167	GSS04 - 2K □□□ 071-32 13C	
	34 - 6.1	62 - 180	99.167	GSS04 - 2K □□□ 071-32 10B	
	27 - 4.8	79 - 180	125.682	GSS04 - 2K □□□ 071-32 10B	
	26 - 4.8	83 - 358	128.333	GSS05 - 2K □□□ 071-32 13C	
	21 - 3.9	99 - 180	157.500	GSS04 - 2K □□□ 071-32 10B	
	21 - 4.0	101 - 359	155.750	GSS05 - 2K □□□ 071-32 13C	
	17 - 3.2	126 - 667	196.875	GSS06 - 2K □□□ 071-32 13C	
				GSS □□ - 3K	5-98
	13 - 2.4	156 - 352	250.952	GSS05 - 3K □□□ 071-32 10B	
	14 - 2.6	152 - 720	238.700	GSS06 - 3K □□□ 071-32 13C	
	11 - 2.0	190 - 352	307.417	GSS05 - 3K □□□ 071-32 10B	
	11 - 2.0	198 - 720	310.689	GSS06 - 3K □□□ 071-32 13C	
	8.7 - 1.6	237 - 352	386.467	GSS05 - 3K □□□ 071-32 10B	
	8.5 - 1.6	246 - 720	386.467	GSS06 - 3K □□□ 071-32 13C	
	6.8 - 1.2	299 - 359	497.722	GSS05 - 3K □□□ 071-32 10B	
	6.6 - 1.3	313 - 720	497.722	GSS06 - 3K □□□ 071-32 13C	
	5.3 - 1.0	359 - 360	630.803	GSS05 - 3K □□□ 071-32 10B	
	3.9 - 0.7	523 - 1250	833.556	GSS07 - 3K □□□ 071-32 13C	
	3.3 - 0.6	627 - 1250	1011.633	GSS07 - 3K □□□ 071-32 13C	
2.7 - 0.5	747 - 1250	1227.755	GSS07 - 3K □□□ 071-32 13C		
2.4 - 0.5	834 - 1250	1386.175	GSS07 - 3K □□□ 071-32 13C		
0.55 kW				GSS □□ - 2K	5-90
	583 - 110	5.5 - 35	5.639	GSS04 - 2K □□□ 080-12 13C	
	425 - 80	7.5 - 47	7.733	GSS04 - 2K □□□ 080-12 13C	
	332 - 63	9.7 - 61	9.897	GSS04 - 2K □□□ 080-12 13C	
	265 - 50	12 - 74	12.400	GSS04 - 2K □□□ 080-12 13C	
	207 - 39	16 - 95	15.869	GSS04 - 2K □□□ 080-12 13C	
	161 - 30	18 - 112	20.417	GSS04 - 2K □□□ 080-12 13C	
	133 - 25	23 - 138	24.800	GSS04 - 2K □□□ 080-12 13C	
	104 - 20	30 - 176	31.738	GSS04 - 2K □□□ 080-12 13C	
	84 - 16	37 - 180	39.200	GSS04 - 2K □□□ 080-12 13C	
	66 - 12	47 - 180	50.000	GSS04 - 2K □□□ 080-12 13C	
	54 - 10	58 - 180	61.250	GSS04 - 2K □□□ 080-12 13C	
	43 - 8.1	74 - 180	77.000	GSS04 - 2K □□□ 080-12 13C	
	33 - 6.3	96 - 180	99.167	GSS04 - 2K □□□ 080-12 13C	
	26 - 4.8	125 - 360	128.333	GSS05 - 2K □□□ 080-12 13C	

Thermal limit not considered (see note on page 3-12)

Marked in grey: Only swivel position 3 or 5 possible!



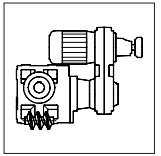
Compact units

Selection tables with helical-worm gearboxes

P ₁	50 Hz		i	Compact unit	Dim. Page	
	n ₂ [min ⁻¹]	M ₂ [Nm]				
0.55 kW				GSS □□ - 2K	5-90	
	21 - 4.0	152 - 360	155.750	GSS05 - 2K □□□ 080-12 13C		
	17 - 3.2	192 - 720	196.875	GSS06 - 2K □□□ 080-12 13C		
				GSS □□ - 3K	5-98	
	26 - 4.9	122 - 300	125.476	GSS05 - 3K □□□ 080-12 13C		
	21 - 4.0	149 - 313	153.708	GSS05 - 3K □□□ 080-12 13C		
	17 - 3.2	187 - 327	193.233	GSS05 - 3K □□□ 080-12 13C		
	13 - 2.5	241 - 355	250.952	GSS05 - 3K □□□ 080-12 13C		
	11 - 2.0	292 - 355	307.417	GSS05 - 3K □□□ 080-12 13C		
	8.5 - 1.6	358 - 354	386.467	GSS05 - 3K □□□ 080-12 13C		
	6.6 - 1.3	470 - 720	497.722	GSS06 - 3K □□□ 080-12 13C		
	5.9 - 1.1	528 - 720	561.944	GSS06 - 3K □□□ 080-12 13C		
	0.75 kW					GSS □□ - 2K
574 - 108		7.8 - 39	5.639	GSS04 - 2K □□□ 080-32 13C		
419 - 79		11 - 54	7.733	GSS04 - 2K □□□ 080-32 13C		
327 - 62		14 - 69	9.897	GSS04 - 2K □□□ 080-32 13C		
261 - 49		17 - 84	12.400	GSS04 - 2K □□□ 080-32 13C		
204 - 39		22 - 107	15.869	GSS04 - 2K □□□ 080-32 13C		
159 - 30		25 - 126	20.417	GSS04 - 2K □□□ 080-32 13C		
131 - 25		32 - 156	24.800	GSS04 - 2K □□□ 080-32 13C		
102 - 19		42 - 180	31.738	GSS04 - 2K □□□ 080-32 13C		
83 - 16		51 - 180	39.200	GSS04 - 2K □□□ 080-32 13C		
65 - 12		66 - 180	50.000	GSS04 - 2K □□□ 080-32 13C		
53 - 10.0		82 - 180	61.250	GSS04 - 2K □□□ 080-32 13C		
42 - 7.9		103 - 180	77.000	GSS04 - 2K □□□ 080-32 13C		
33 - 6.2		134 - 180	99.167	GSS04 - 2K □□□ 080-32 13C		
29 - 5.4		157 - 358	113.667	GSS05 - 2K □□□ 080-32 13C		
25 - 4.8		175 - 359	128.333	GSS05 - 2K □□□ 080-32 13C		
24 - 4.4		190 - 359	137.950	GSS05 - 2K □□□ 080-32 13C		
21 - 3.9		212 - 360	155.750	GSS05 - 2K □□□ 080-32 13C		
16 - 3.1		269 - 720	196.875	GSS06 - 2K □□□ 080-32 13C		
			GSS □□ - 3K	5-98		
26 - 4.9		169 - 300	125.476		GSS05 - 3K □□□ 080-32 13C	
21 - 4.0		208 - 312	153.708		GSS05 - 3K □□□ 080-32 13C	
17 - 3.2		260 - 326	193.233		GSS05 - 3K □□□ 080-32 13C	
13 - 2.4		334 - 354	250.952		GSS05 - 3K □□□ 080-32 13C	
10 - 2.0		417 - 720	310.689		GSS06 - 3K □□□ 080-32 13C	
8.4 - 1.6		515 - 720	386.467	GSS06 - 3K □□□ 080-32 13C		
6.5 - 1.2		653 - 720	497.722	GSS06 - 3K □□□ 080-32 13C		

Thermal limit not considered (see note on page 3-12)

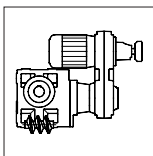
Marked in grey: Only swivel position 3 or 5 possible!



P ₁	50 Hz		i	Compact unit	Dim. Page	
	n ₂ [min ⁻¹]	M ₂ [Nm]				
0.75 kW				GSS □□ - 3K	5-98	
	5.8 - 1.1	720 - 720	561.944	GSS06 - 3K □□□ 080-32 13C		
1.1 kW				GSS □□ - 2K	5-90	
	587 - 111	11 - 39	5.639	GSS05 - 2K □□□ 090-12 14D		
	428 - 81	15 - 53	7.733	GSS05 - 2K □□□ 090-12 14D		
	334 - 63	20 - 68	9.897	GSS05 - 2K □□□ 090-12 14D		
	267 - 50	25 - 83	12.400	GSS05 - 2K □□□ 090-12 14D		
	209 - 39	32 - 106	15.869	GSS05 - 2K □□□ 090-12 14D		
	162 - 31	38 - 127	20.417	GSS05 - 2K □□□ 090-12 14D		
	133 - 25	47 - 157	24.800	GSS05 - 2K □□□ 090-12 14D		
	104 - 20	61 - 200	31.738	GSS05 - 2K □□□ 090-12 14D		
	84 - 16	75 - 244	39.200	GSS05 - 2K □□□ 090-12 14D		
	66 - 13	97 - 309	50.000	GSS05 - 2K □□□ 090-12 14D		
	54 - 10	119 - 360	61.250	GSS05 - 2K □□□ 090-12 14D		
	42 - 7.8	156 - 360	79.722	GSS05 - 2K □□□ 090-12 14D		
	33 - 6.3	195 - 360	99.167	GSS05 - 2K □□□ 090-12 14D		
	26 - 4.9	254 - 720	128.333	GSS06 - 2K □□□ 090-12 14D		
	28 - 4.5	254 - 720	128.333	GSS06 - 2K □□□ 090-12 16D		
	21 - 4.0	309 - 720	155.750	GSS06 - 2K □□□ 090-12 14D		
	23 - 3.7	309 - 720	155.750	GSS06 - 2K □□□ 090-12 16D		
	17 - 3.2	394 - 1180	196.875	GSS07 - 2K □□□ 090-12 14D		
				GSS □□ - 3K		5-98
	16 - 3.1	397 - 1187	201.746	GSS07 - 3K □□□ 090-12 14D		
13 - 2.5	488 - 1250	247.139	GSS07 - 3K □□□ 090-12 14D			
10 - 1.9	635 - 1250	321.673	GSS07 - 3K □□□ 090-12 14D			
8.4 - 1.6	776 - 1250	394.245	GSS07 - 3K □□□ 090-12 14D			
6.8 - 1.3	958 - 1250	490.403	GSS07 - 3K □□□ 090-12 14D			
6.0 - 1.1	1077 - 1250	553.681	GSS07 - 3K □□□ 090-12 14D			
1.5 kW				GSS □□ - 2K	5-90	
	591 - 112	15 - 39	5.639	GSS05 - 2K □□□ 090-32 14D		
	431 - 81	21 - 53	7.733	GSS05 - 2K □□□ 090-32 14D		
	337 - 64	28 - 68	9.897	GSS05 - 2K □□□ 090-32 14D		
	269 - 51	34 - 83	12.400	GSS05 - 2K □□□ 090-32 14D		
	210 - 40	44 - 106	15.869	GSS05 - 2K □□□ 090-32 14D		
	163 - 31	52 - 127	20.417	GSS05 - 2K □□□ 090-32 14D		
	134 - 25	64 - 157	24.800	GSS05 - 2K □□□ 090-32 14D		
	105 - 20	83 - 200	31.738	GSS05 - 2K □□□ 090-32 14D		
	85 - 16	102 - 244	39.200	GSS05 - 2K □□□ 090-32 14D		
	67 - 13	132 - 309	50.000	GSS05 - 2K □□□ 090-32 14D		
	54 - 10	163 - 360	61.250	GSS05 - 2K □□□ 090-32 14D		

Thermal limit not considered (see note on page 3-12)

Marked in grey: Only swivel position 3 or 5 possible!



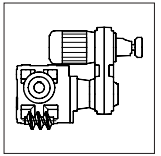
Compact units

Selection tables with helical-worm gearboxes

P ₁	50 Hz		i	Compact unit	Dim. Page
	n ₂ [min ⁻¹]	M ₂ [Nm]			
1.5 kW	42 - 7.9	213 - 360	79.722	GSS □□ - 2K GSS05 - 2K □□□ 090-32 14D	5-90
	34 - 6.3	265 - 360	99.167	GSS05 - 2K □□□ 090-32 14D	
	26 - 4.9	346 - 720	128.333	GSS06 - 2K □□□ 090-32 14D	
	28 - 4.6	346 - 720	128.333	GSS06 - 2K □□□ 090-32 16D	
	21 - 4.0	421 - 720	155.750	GSS06 - 2K □□□ 090-32 14D	
	23 - 3.8	422 - 720	155.750	GSS06 - 2K □□□ 090-32 16D	
	17 - 3.2	538 - 1181	196.875	GSS07 - 2K □□□ 090-32 14D	
				GSS □□ - 3K	5-98
	17 - 3.1	543 - 1188	201.746	GSS07 - 3K □□□ 090-32 14D	
	14 - 2.5	667 - 1250	247.139	GSS07 - 3K □□□ 090-32 14D	
	10 - 2.0	866 - 1250	321.673	GSS07 - 3K □□□ 090-32 14D	
	8.5 - 1.6	1057 - 1250	394.245	GSS07 - 3K □□□ 090-32 14D	
	7.5 - 1.4	1187 - 1250	445.116	GSS07 - 3K □□□ 090-32 14D	
	6.8 - 1.3	1250 - 1250	490.403	GSS07 - 3K □□□ 090-32 14D	
2.2 kW	623 - 102	23 - 93	5.639	GSS □□ - 2K GSS05 - 2K □□□ 100-12 16D	5-90
	455 - 75	33 - 127	7.733	GSS05 - 2K □□□ 100-12 16D	
	355 - 58	42 - 163	9.897	GSS05 - 2K □□□ 100-12 16D	
	284 - 46	52 - 199	12.400	GSS05 - 2K □□□ 100-12 16D	
	222 - 36	67 - 254	15.869	GSS05 - 2K □□□ 100-12 16D	
	172 - 28	78 - 304	20.417	GSS05 - 2K □□□ 100-12 16D	
	142 - 23	96 - 360	24.800	GSS05 - 2K □□□ 100-12 16D	
	111 - 18	125 - 360	31.738	GSS05 - 2K □□□ 100-12 16D	
	90 - 15	153 - 360	39.200	GSS05 - 2K □□□ 100-12 16D	
	70 - 12	197 - 360	50.000	GSS05 - 2K □□□ 100-12 16D	
	57 - 9.4	243 - 360	61.250	GSS05 - 2K □□□ 100-12 16D	
	44 - 7.2	307 - 360	79.722	GSS05 - 2K □□□ 100-12 16D	
	35 - 5.8	400 - 720	99.167	GSS06 - 2K □□□ 100-12 16D	
	27 - 4.5	519 - 720	128.333	GSS06 - 2K □□□ 100-12 16D	
	23 - 3.7	631 - 720	155.750	GSS06 - 2K □□□ 100-12 16D	
	18 - 2.9	808 - 1250	196.875	GSS07 - 2K □□□ 100-12 16D	
				GSS □□ - 3K	
	17 - 2.9	815 - 1250	201.746	GSS07 - 3K □□□ 100-12 16D	
	14 - 2.3	1000 - 1250	247.139	GSS07 - 3K □□□ 100-12 16D	
	11 - 1.8	1250 - 1250	321.673	GSS07 - 3K □□□ 100-12 16D	
3 kW	623 - 102	32 - 93	5.639	GSS □□ - 2K GSS05 - 2K □□□ 100-32 16D	5-90
	455 - 75	45 - 127	7.733	GSS05 - 2K □□□ 100-32 16D	
	355 - 58	58 - 163	9.897	GSS05 - 2K □□□ 100-32 16D	

Thermal limit not considered (see note on page 3-12)

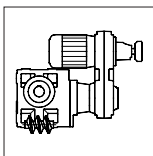
Marked in grey: Only swivel position 3 or 5 possible!



P ₁	50 Hz		i	Compact unit	Dim. Page
	n ₂ [min ⁻¹]	M ₂ [Nm]			
3 kW				GSS □□ - 2K	5-90
	284 - 46	71 - 199	12.400	GSS05 - 2K □□□ 100-32 16D	
	222 - 36	92 - 254	15.869	GSS05 - 2K □□□ 100-32 16D	
	172 - 28	106 - 304	20.417	GSS05 - 2K □□□ 100-32 16D	
	142 - 23	132 - 360	24.800	GSS05 - 2K □□□ 100-32 16D	
	111 - 18	171 - 360	31.738	GSS05 - 2K □□□ 100-32 16D	
	90 - 15	210 - 360	39.200	GSS05 - 2K □□□ 100-32 16D	
	70 - 12	257 - 360	50.000	GSS05 - 2K □□□ 100-32 16D	
	57 - 9.4	336 - 720	61.250	GSS06 - 2K □□□ 100-32 16D	
	44 - 7.2	440 - 720	79.722	GSS06 - 2K □□□ 100-32 16D	
	35 - 5.8	549 - 720	99.167	GSS06 - 2K □□□ 100-32 16D	
	27 - 4.5	711 - 720	128.333	GSS06 - 2K □□□ 100-32 16D	
	23 - 3.7	876 - 1250	155.750	GSS07 - 2K □□□ 100-32 16D	
	23 - 3.6	847 - 1250	155.750	GSS07 - 2K □□□ 100-32 20E	
	18 - 2.9	1108 - 1250	196.875	GSS07 - 2K □□□ 100-32 16D	
			GSS □□ - 3K	5-98	
17 - 2.9	1117 - 1250	201.746	GSS07 - 3K □□□ 100-32 16D		
14 - 2.3	1250 - 1250	247.139	GSS07 - 3K □□□ 100-32 16D		
4 kW				GSS □□ - 2K	5-90
	634 - 98	43 - 153	5.833	GSS06 - 2K □□□ 112-22 21E	
	463 - 71	59 - 209	8.000	GSS06 - 2K □□□ 112-22 21E	
	362 - 56	76 - 269	10.238	GSS06 - 2K □□□ 112-22 21E	
	299 - 46	90 - 316	12.400	GSS06 - 2K □□□ 112-22 21E	
	233 - 36	116 - 405	15.869	GSS06 - 2K □□□ 112-22 21E	
	181 - 28	137 - 490	20.417	GSS06 - 2K □□□ 112-22 21E	
	149 - 23	168 - 594	24.800	GSS06 - 2K □□□ 112-22 21E	
	117 - 18	217 - 720	31.738	GSS06 - 2K □□□ 112-22 21E	
	94 - 15	270 - 720	39.200	GSS06 - 2K □□□ 112-22 21E	
	74 - 11	346 - 720	50.000	GSS06 - 2K □□□ 112-22 21E	
	60 - 9.3	426 - 720	61.250	GSS06 - 2K □□□ 112-22 21E	
	46 - 7.1	557 - 720	79.722	GSS06 - 2K □□□ 112-22 21E	
	37 - 5.7	663 - 720	99.167	GSS06 - 2K □□□ 112-22 21E	
	29 - 4.4	913 - 1250	128.333	GSS07 - 2K □□□ 112-22 21E	
24 - 3.7	1111 - 1250	155.750	GSS07 - 2K □□□ 112-22 21E		
5.5 kW				GSS □□ - 2K	5-90
	639 - 98	59 - 153	5.833	GSS06 - 2K □□□ 112-32 21E	
	466 - 72	81 - 209	8.000	GSS06 - 2K □□□ 112-32 21E	
	364 - 56	105 - 269	10.238	GSS06 - 2K □□□ 112-32 21E	
	301 - 46	124 - 316	12.400	GSS06 - 2K □□□ 112-32 21E	

Thermal limit not considered (see note on page 3-12)

Marked in grey: Only swivel position 3 or 5 possible!



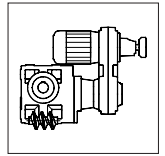
Compact units

Selection tables with helical-worm gearboxes

P ₁	50 Hz		i	Compact unit	Dim. Page
	n ₂ [min ⁻¹]	M ₂ [Nm]			
5.5 kW	235 - 36	159 - 405	15.869	GSS □□ - 2K GSS06 - 2K □□□ 112-32 21E	5-90
	183 - 28	188 - 490	20.417	GSS06 - 2K □□□ 112-32 21E	
	150 - 23	231 - 594	24.800	GSS06 - 2K □□□ 112-32 21E	
	117 - 18	298 - 720	31.738	GSS06 - 2K □□□ 112-32 21E	
	95 - 15	370 - 720	39.200	GSS06 - 2K □□□ 112-32 21E	
	75 - 12	475 - 720	50.000	GSS06 - 2K □□□ 112-32 21E	
	61 - 9.4	591 - 1250	61.250	GSS07 - 2K □□□ 112-32 21E	
	47 - 7.2	773 - 1250	79.722	GSS07 - 2K □□□ 112-32 21E	
	38 - 5.9	950 - 1250	97.708	GSS07 - 2K □□□ 112-32 21E	
	29 - 4.5	1250 - 1250	128.333	GSS07 - 2K □□□ 112-32 21E	
7.5 kW	583 - 99	90 - 314	5.833	GSS □□ - 2K GSS06 - 2K □□□ 132-22 26F	5-90
	425 - 72	124 - 432	8.000	GSS06 - 2K □□□ 132-22 26F	
	332 - 56	160 - 522	10.238	GSS06 - 2K □□□ 132-22 26F	
	274 - 47	188 - 652	12.400	GSS06 - 2K □□□ 132-22 26F	
	214 - 36	242 - 720	15.869	GSS06 - 2K □□□ 132-22 26F	
	166 - 28	292 - 1026	20.517	GSS07 - 2K □□□ 132-22 26F	
	135 - 23	362 - 1250	25.188	GSS07 - 2K □□□ 132-22 26F	
	110 - 19	449 - 1250	31.000	GSS07 - 2K □□□ 132-22 26F	
	87 - 15	570 - 1250	39.200	GSS07 - 2K □□□ 132-22 26F	
	68 - 12	730 - 1250	50.000	GSS07 - 2K □□□ 132-22 26F	
	56 - 9.4	897 - 1250	61.250	GSS07 - 2K □□□ 132-22 26F	
	48 - 8.2	1031 - 1250	70.611	GSS07 - 2K □□□ 132-22 26F	
9.2 kW	583 - 98	111 - 314	5.833	GSS □□ - 2K GSS06 - 2K □□□ 132-32 26F	5-90
	425 - 72	153 - 431	8.000	GSS06 - 2K □□□ 132-32 26F	
	332 - 56	196 - 522	10.238	GSS06 - 2K □□□ 132-32 26F	
	274 - 46	231 - 652	12.400	GSS06 - 2K □□□ 132-32 26F	
	214 - 36	298 - 720	15.869	GSS06 - 2K □□□ 132-32 26F	
	166 - 28	359 - 1026	20.517	GSS07 - 2K □□□ 132-32 26F	
	135 - 23	446 - 1250	25.188	GSS07 - 2K □□□ 132-32 26F	
	110 - 19	552 - 1250	31.000	GSS07 - 2K □□□ 132-32 26F	
	96 - 16	673 - 1250	35.306	GSS07 - 2K □□□ 132-32 26F	
	79 - 13	827 - 1250	43.271	GSS07 - 2K □□□ 132-32 26F	
11 kW	583 - 99	133 - 314	5.833	GSS □□ - 2K GSS06 - 2K □□□ 160-22 26F	5-90
	425 - 72	183 - 432	8.000	GSS06 - 2K □□□ 160-22 26F	
	332 - 56	235 - 522	10.238	GSS06 - 2K □□□ 160-22 26F	

Thermal limit not considered (see note on page 3-12)

Marked in grey: Only swivel position 3 or 5 possible!



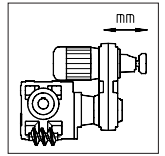
P ₁	50 Hz		i	Compact unit	Dim. Page
	n ₂ [min ⁻¹]	M ₂ [Nm]			
11 kW	274 - 47	276 - 652	12.400	GSS □□ - 2K GSS06 - 2K □□□ 160-22 26F	5-90
	219 - 37	351 - 820	15.500	GSS07 - 2K □□□ 160-22 26F	
	166 - 28	430 - 1026	20.517	GSS07 - 2K □□□ 160-22 26F	
	154 - 26	504 - 1173	22.143	GSS07 - 2K □□□ 160-22 26F	
	125 - 21	619 - 1250	27.125	GSS07 - 2K □□□ 160-22 26F	
	96 - 16	808 - 1250	35.306	GSS07 - 2K □□□ 160-22 26F	
	79 - 13	991 - 1250	43.271	GSS07 - 2K □□□ 160-22 26F	
15 kW	580 - 97	183 - 646	5.862	GSS □□ - 2K GSS07 - 2K □□□ 160-32 31G	5-90
	419 - 70	256 - 897	8.125	GSS07 - 2K □□□ 160-32 31G	
	340 - 57	316 - 1087	10.000	GSS07 - 2K □□□ 160-32 31G	
	270 - 45	389 - 1250	12.594	GSS07 - 2K □□□ 160-32 31G	
	219 - 37	481 - 1250	15.500	GSS07 - 2K □□□ 160-32 31G	
	196 - 33	530 - 1250	17.360	GSS07 - 2K □□□ 160-32 31G	
	18.5 kW	580 - 96	227 - 646	5.862	
419 - 69		316 - 897	8.125	GSS07 - 2K □□□ 180-22 31G	
340 - 56		391 - 1087	10.000	GSS07 - 2K □□□ 180-22 31G	
238 - 39		545 - 1101	14.286	GSS07 - 2K □□□ 180-22 31G	

Thermal limit not considered (see not on page 3-12)

Marked in grey: Only swivel position 3 or 5 possible!

Compact units

Combinations with helical-worm gearboxes



GSS □□ - 2 K

Gearbox size	Compact unit															
	GSS □□ - 2 K □□□ with drive size															
	071		080		090		100		112		132		160		180	
	-12 /-32	-32	-12 /-32		-12 /-32		-12 /-32		-22 /-32		-22 /-32		-22	-32	-22	
10B	13C	13C	14D	14D	16D	16D	20E	21E		26F		26F	31G	31G		
GSS 04	↔	●	●													
GSS 05		●	↔	●	●		●									
GSS 06		↔	↔		↔	●	●		●	●	●	●				
GSS 07				↔	↔		↔	●	●	●	●	●	●	●	●	●

GSS □□ - 3 K

Gearbox size	Compact unit					
	GSS □□ - 3 K □□□ with drive size					
	071		080		100	
	-12 /-32	-32	-12 /-32		-12 /-32	
10B	13C	13C	14D	16D	16D	
GSS 05	●		●			
GSS 06		●	●			
GSS 07		↔		●	●	●

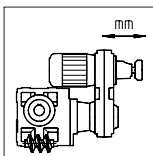
Motor position 1 (Z design):

■ All combinations possible in swivel positions 2, 3 or 5

Motor position 6 (U design):

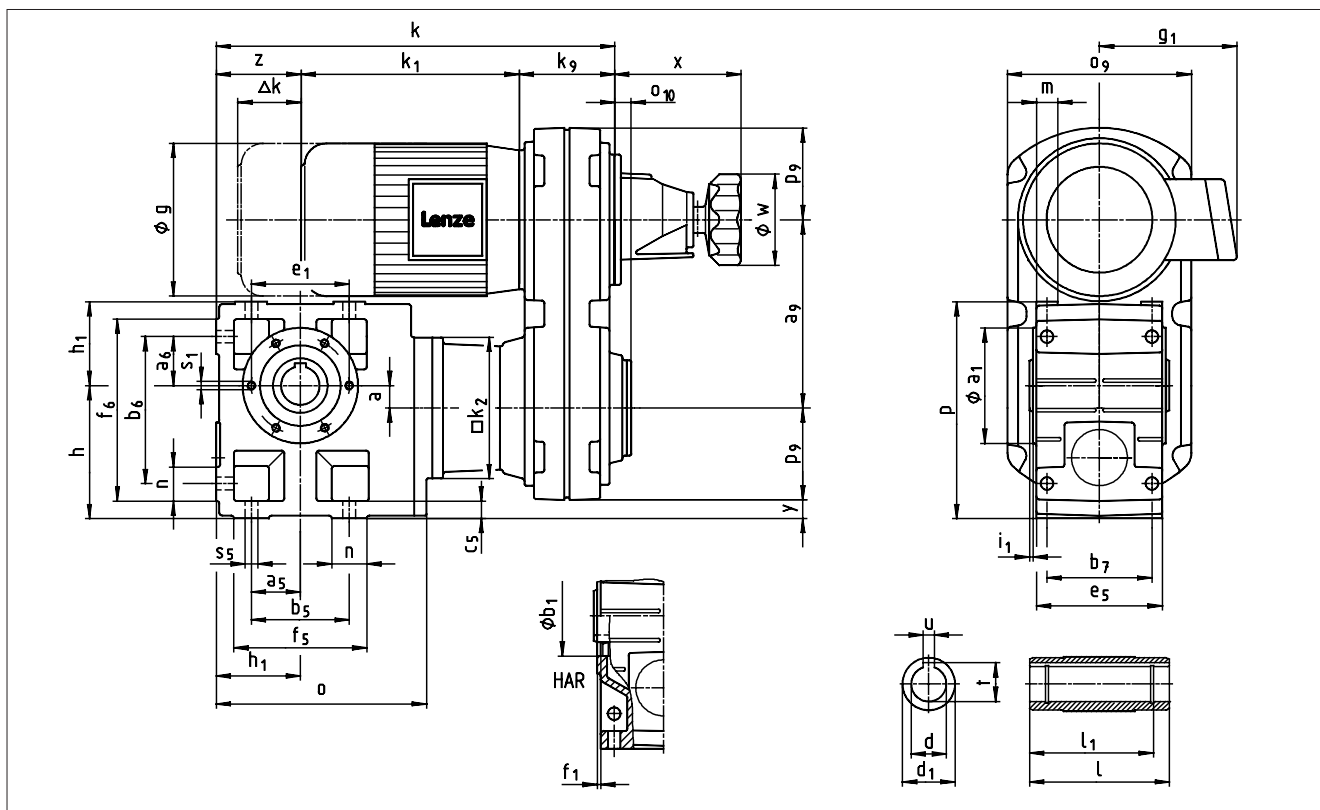
↔ Only swivel position 3 or 5 possible

● Swivel position 2, 3 or 5 possible



Compact units

Dimensions with helical-worm gearboxes



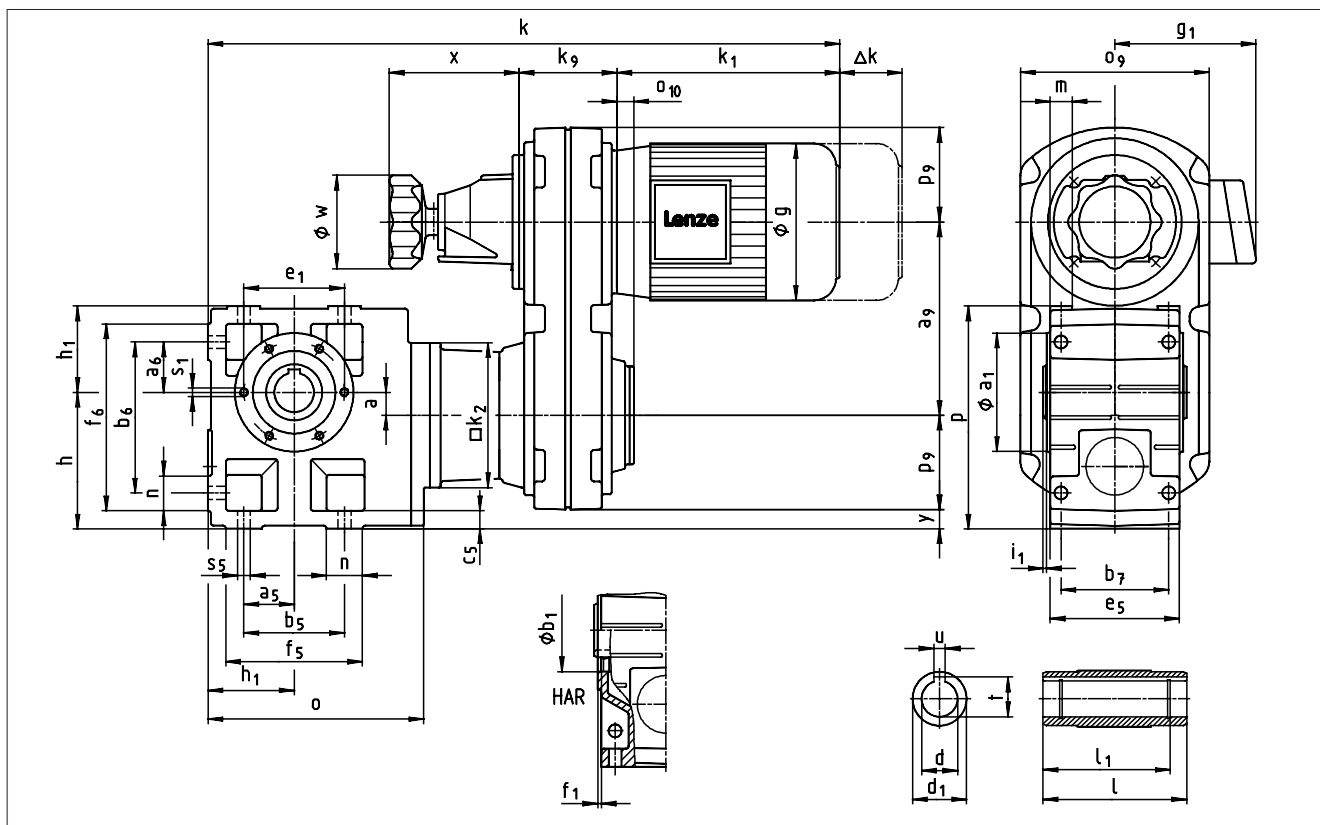
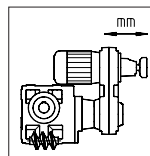
Compact unit		Drive size																		
GSS □□ - 2 K H □ R		071		080		090		100**		112		132		160		180				
Motor position 6		-12/-32	-32	-12/-32	-12/-32	-12/-32	-12/-32	-12/-32	-22/-32	-22/-32	-22/-32	-22	-32	-22	-32	-22				
		10B	13C	13C	14D	14D	16D	16D	20E	21E	25F	26F	26F	31G	31G	31G				
Motor	g	143	143	160	160	180	180	206	206	222	222	274	323	323	360					
	g ₁	Without options	128	128	137	137	147	147	140	140	174	174	196	253	253	275				
		Brake motor	131	131	142	142	154	154	151	151	174	174	212	253	253	275				
	k ₁	237	237	267	267	350	350	316	316	379	379	450	564	564	595					
Δk	Brake	54	54	36	36	48	48	111	111	80	80	63	120	120	122					
Variable speed drives	a ₉	136	173	173	193	193	217	217	248	274	316	347	347	392	392					
	k ₉	65	95	95	95	95	110	110	130	130	160	160	160	196	196					
	o ₉	135	180	180	180	180	212	212	263	263	320	320	320	394	394					
	p ₉	67	90	90	90	90	106	106	132	132	160	160	160	197	197					
	w	70	70	70	70	70	105	105	105	105	160	160	160	160	160					
	x	100	108	108	108	108	147	147	147	147	184	184	184	184	184					
	o ₁₀	17	17	17	17	17	17	17	27	27	39	39	39	39	39					
Housing	k ₂	115	145	145	145	145	145	180	180	222	222	222	222	222	222					
Gearbox size	Gearbox						Total length													
	o	l*	p*	h	h ₁	a	k													
	GSS 04	181	115	171	100	71	20	295	352	352										
	GSS 05	212	140	205	125	80	23		374	374	392	392			407					
	GSS 06	255	160	250	150	100	26		414	414		432	447	447		497	528	530	530	
GSS 07	305	200	310	190	120	33				475	475		490	540	540	571	573	573	587	587

Gearbox size	Hollow shaft						Pitch circle						Foot											
	d H7	l	d ₁	l ₁	u JS9	t +0.2	a ₁	b ₁ H7	e ₁	f ₁	i ₁	s ₁ 6x60°	a ₅	a ₆	b ₅	b ₆	b ₇	c ₅	e ₅	f ₅	f ₆	n	m	s ₅
GSS 04	25 30	115	45	100	8 8	28.3 33.3	105	75	90	3	2.5	M6x12	45	45	90	119	85	14	100	112	141	22	20	9
GSS 05	30 35	140	50	124	8 10	33.3 38.3	118	80	100	4	4	M8x15	47.5	47.5	95	140	105	17	127	124	169	29	21	11
GSS 06	40 45	160	65	140	12 14	43.3 48.8	140	100	120	4	5	M10x16	60	60	120	170	120	20	145	156	206	36	23	14
GSS 07	50 55	200	75	175	14 16	53.8 59.3	165	115	140	5	5	M12x18	70	70	140	210	150	25	180	185	255	45	28	18

Dimensions in [mm] * Observe dimension k₂ ** with swivel position 2 only terminal box position 2 possible, fan cover flat on opposite side of terminal box, when using other motors: observe distance between motor and gearbox!

Observe dimensions z and y! (see page 5-106)

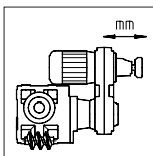
Only swivel positions 3 and 5 possible



Compact unit		Drive size													
GSS □□ - 2 K H □ R		071		080		090		100		112					
Motor position 1		-12/-32	-32	-12/-32	-12/-32	-12/-32	-12/-32	-12/-32	-12/-32	-22/-32					
		10B	13C	13C	14D	14D	16D	16D	20E	21E					
Motor	g	143	143	160	160	180	180	206	206	222					
	g ₁ Without options	128	128	137	137	147	147	140	140	174					
	Brake motor	131	131	142	142	154	154	151	151	174					
	k ₁	237	237	267	267	350	350	316	316	379					
Variable speed drives	Δk Brake	54	54	36	36	48	48	111	111	80					
	a ₉	136	173	173	193	193	217	217	248	274					
	k ₉	65	95	95	95	95	110	110	130	130					
	o ₉	135	180	180	180	180	212	212	263	263					
	p ₉	67	90	90	90	90	106	106	132	132					
	w	70	70	70	70	70	105	105	105	105					
	x	100	108	108	108	108	147	147	147	147					
	o ₁₀	17	17	17	17	17	17	17	27	27					
Housing	k ₂	115	145	145	145	145	145	145	180	180					
Gearbox size	Gearbox						Total length								
	o	l*	p*	h	h ₁	a	k								
	GSS 04	181	115	171	100	71	20	532	589	619					
	GSS 05	212	140	205	125	80	23		611	641	659	742		723	
	GSS 06	255	160	250	150	100	26		651	681		782	797	763	876
GSS 07	305	200	310	190	120	33				742	825		806	856	919

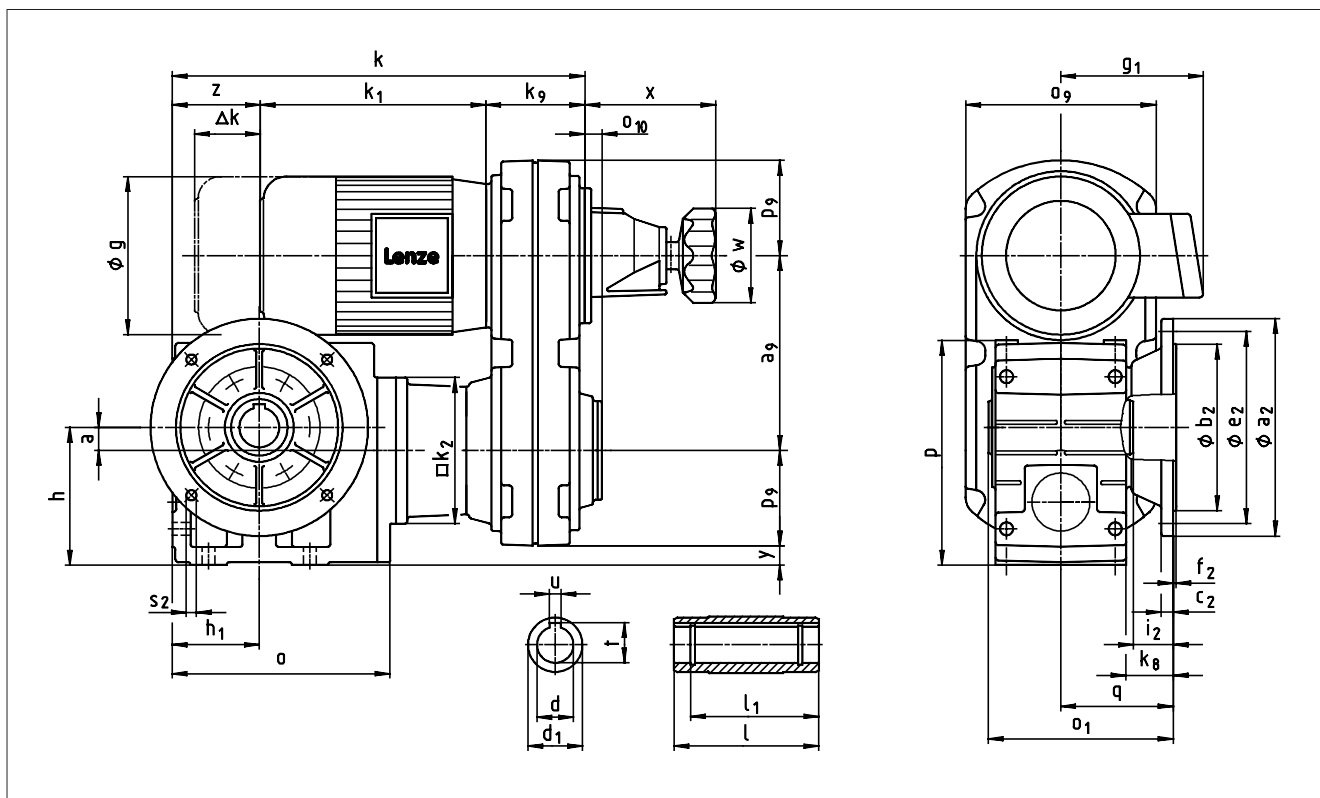
Gearbox size	Hollow shaft						Pitch circle						Foot											
	d H7	l	d ₁	l ₁	u JS9	t +0.2	a ₁	b ₁ H7	e ₁	f ₁	i ₁	s ₁ 6x60°	a ₅	a ₆	b ₅	b ₆	b ₇	c ₅	e ₅	f ₅	f ₆	n	m	s ₅
GSS 04	25 30	115	45	100	8 8	28.3 33.3	105	75	90	3	2.5	M6x12	45	45	90	119	85	14	100	112	141	22	21	9
GSS 05	30 35	140	50	124	8 10	33.3 38.3	118	80	100	4	4	M8x15	47.5	47.5	95	140	105	17	127	124	169	29	21	11
GSS 06	40 45	160	65	140	12 14	43.3 48.8	140	100	120	4	5	M10x16	60	60	120	170	120	20	145	156	206	36	23	14
GSS 07	50 55	200	75	175	14 16	53.8 59.3	165	115	140	5	5	M12x18	70	70	140	210	150	25	180	185	255	45	28	18

Dimensions in [mm] * Observe dimension k₂ Observe dimension y! (see page 5-106)



Compact units

Dimensions with helical-worm gearboxes



5

Compact unit		Drive size															
GSS <input type="checkbox"/> <input type="checkbox"/> - 2 K HAK		071		080		090		100**		112		132		160		180	
Motor position 6		-12/-32	-32	-12/-32	-12/-32	-12/-32	-12/-32	-12/-32	-12/-32	-22/-32	-22/-32	-22	-32	-22	-32	-22	
		10B	13C	13C	14D	14D	16D	16D	20E	21E	25F	26F	26F	31G	31G	31G	
Motor	g	143	143	160	160	180	180	206	206	222	222	274	323	323	360		
	g ₁	Without options	128	128	137	137	147	147	140	140	174	174	196	253	253	275	
		Brake motor	131	131	142	142	154	154	151	151	174	174	212	253	253	275	
	k ₁	237	237	267	267	350	350	316	316	379	379	450	564	564	595		
Δk	Brake	54	54	36	36	48	48	111	111	80	80	63	120	120	122		
Variable speed drives	a ₉	136	173	173	193	193	217	217	248	274	316	347	347	392	392		
	k ₉	65	95	95	95	95	110	110	130	130	160	160	160	196	196		
	o ₉	135	180	180	180	180	212	212	263	263	320	320	320	394	394		
	p ₉	67	90	90	90	90	106	106	132	132	160	160	160	197	197		
	w	70	70	70	70	70	105	105	105	105	160	160	160	160	160		
	x	100	108	108	108	108	147	147	147	147	184	184	184	184	184		
	o ₁₀	17	17	17	17	17	17	17	27	27	39	39	39	39	39		
Housing	k ₂	115	145	145	145	145	145	145	180	180	222	222	222	222	222		
Gearbox size	Gearbox								Total length								
	o	o ₁ *	p*	h	h ₁	a	k ₈	q	k								
GSS 04	181	148	171	100	71	20	38	90.5	295	352	352						
GSS 05	212	173	205	125	80	23	40	103		374	374	392	392		407		
GSS 06	255	201	250	150	100	26	49	121		414	414		432	447	447		
GSS 07	305	255	310	190	120	33	65	155				475	475		490	540	
												540	571	573	573	587	587

Gearbox size	d H7	l	Hollow shaft				Output flange							
			d ₁	l ₁	u JS9	t +0.2	a ₂	b ₂ j7	c ₂	e ₂	f ₂	i ₂	s ₂	
GSS 04	25 30	115	45	100	8 8	28.3 33.3	160	110	10	130	3.5	33	4 x 9	
GSS 05	30 35	140	50	124	8 10	33.3 38.3	200	130	12	165	3.5	33	4 x 11	
GSS 06	40 45	160	65	140	12 14	43.3 48.8	200 250	130 180	12 14.5	165 215	3.5 4	42 41	4 x 11 4 x 14	
GSS 07	50 55	200	75	175	14 16	53.8 59.3	250 300	180 230	14.5 16.5	215 265	4	55	4 x 14	

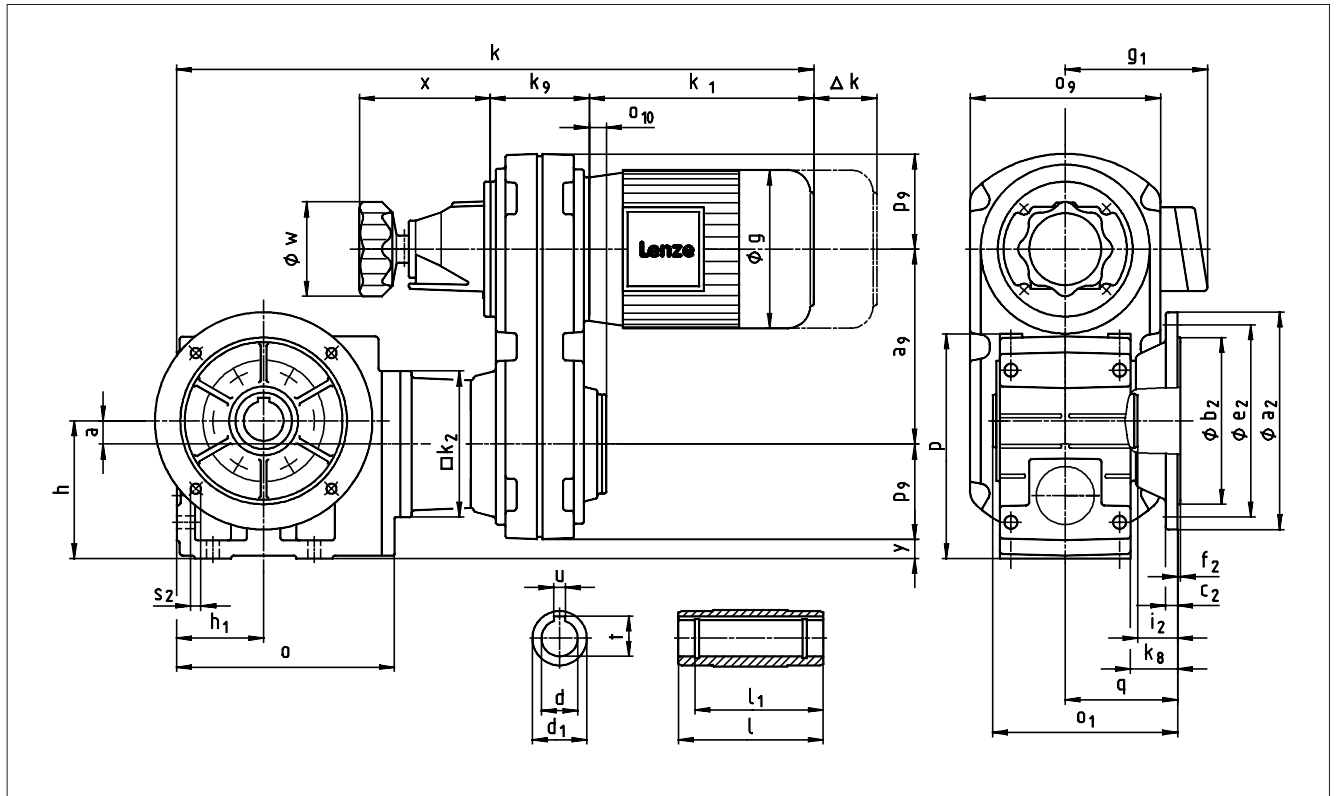
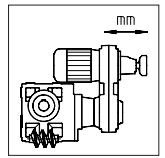
Dimensions in [mm] * Observe dimension k₂ ** with swivel position 2 only terminal box position 2 possible, fan cover flat on opposite side of terminal box, when using other motors: observe distance between motor and gearbox!

Observe dimensions z and y! (see page 5-106)

Only swivel positions 3 and 5 possible

Compact units

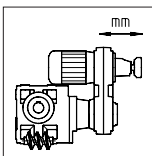
Dimensions with helical-worm gearboxes



Compact unit GSS □□ - 2 K HAK Motor position 1		Drive size															
		071		080		090		100		112							
		-12/-32	-32	-12/-32		-12/-32		-12/-32		-22/-32							
		10B	13C	13C	14D	14D	16D	16D	20E	21E							
Motor	g	143	143	160	160	180	180	206	206	222							
	g ₁ Without options	128	128	137	137	147	147	140	140	174							
	Brake motor	131	131	142	142	154	154	151	151	174							
	k ₁	237	237	267	267	350	350	316	316	379							
Δk Brake	54	54	36	36	48	48	111	111	80								
Variable speed drives	a ₉	136	173	173	193	193	217	217	248	274							
	k ₉	65	95	95	95	95	110	110	130	130							
	o ₉	135	180	180	180	180	212	212	263	263							
	p ₉	67	90	90	90	90	106	106	132	132							
	w	70	70	70	70	70	105	105	105	105							
	x	100	108	108	108	108	147	147	147	147							
	o ₁₀	17	17	17	17	17	17	17	27	27							
Housing	k ₂	115	145	145	145	145	145	145	180	180							
Gearbox size	Gearbox								Total length								
	o	o ₁ *	p*	h	h ₁	a	k ₈	q	k								
	GSS 04	181	148	171	100	71	20	38	90.5	532	589	619					
	GSS 05	212	173	205	125	80	23	40	103		611	641	659	742		723	
	GSS 06	255	201	250	150	100	26	49	121		651	681		782	797	763	
GSS 07	305	255	310	190	120	33	65	155				742	825		806	856	919

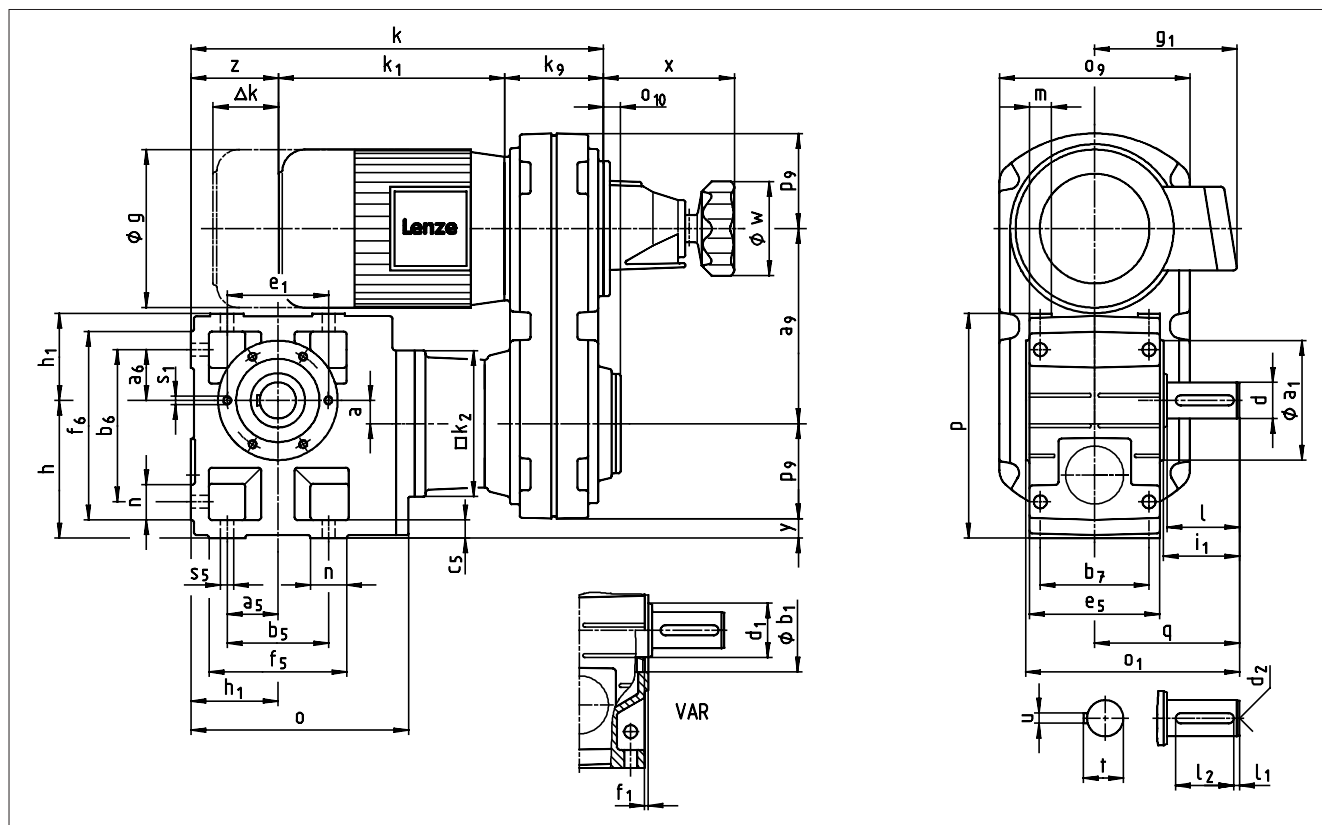
Gearbox size	d H7	l	Hollow shaft				Output flange						
			d ₁	l ₁	u JS9	t +0.2	a ₂	b ₂ j7	c ₂	e ₂	f ₂	i ₂	s ₂
GSS 04	25 30	115	45	100	8 8	28.3 33.3	160	110	10	130	3.5	33	4 x 9
GSS 05	30 35	140	50	124	8 10	33.3 38.3	200	130	12	165	3.5	33	4 x 11
GSS 06	40 45	160	65	140	12 14	43.3 48.8	200 250	130 180	12 14.5	165 215	3.5 4	42 41	4 x 11 4 x 14
GSS 07	50 55	200	75	175	14 16	53.8 59.3	250 300	180 230	14.5 16.5	215 265	4	55	4 x 14

Dimensions in [mm] * Observe dimension k₂ Observe dimension y! (see page 5-106)



Compact units

Dimensions with helical-worm gearboxes



5

Compact unit		Drive size																			
GSS □□ - 2 K V □ R		071		080		090		100**		112		132		160		180					
Motor position 6		-12/-32	-32	-12/-32	-12/-32	-12/-32	-12/-32	-12/-32	-22/-32	-22/-32	-22/-32	-22	-32	-22	-32	-22					
		10B	13C	13C	14D	14D	16D	16D	20E	21E	25F	26F	26F	31G	31G	31G					
Motor	g	143	143	160	160	180	180	206	206	222	222	274	323	323	360						
	g ₁	Without options		128	128	137	137	147	147	140	140	174	174	196	253	253	275				
		Brake motor		131	131	142	142	154	154	151	151	174	174	212	253	253	275				
	k ₁	237	237	267	267	350	350	316	316	379	379	450	564	564	595						
Δk	Brake	54	54	36	36	48	48	111	111	80	80	63	120	120	122						
Variable speed drives	a ₉	136	173	173	193	193	217	217	248	274	316	347	347	392	392						
	k ₉	65	95	95	95	95	110	110	130	130	160	160	160	196	196						
	o ₉	135	180	180	180	180	212	212	263	263	320	320	320	394	394						
	p ₉	67	90	90	90	90	106	106	132	132	160	160	160	197	197						
	w	70	70	70	70	70	105	105	105	105	160	160	160	160	160						
	x	100	108	108	108	108	147	147	147	147	184	184	184	184	184						
	o ₁₀	17	17	17	17	17	17	17	27	27	39	39	39	39	39						
Housing	k ₂	115	145	145	145	145	145	145	180	180	222	222	222	222	222						
Gearbox size	Gearbox		Total length																		
	o	o ₁ *	p*	h	h ₁	a	q	k													
	GSS 04	181	163	171	100	71	20	108	295	352	352										
	GSS 05	212	197	205	125	80	23	130		374	374	392	392		407						
	GSS 06	255	236	250	150	100	26	160		414	414		432	447	447		497	528	530	530	
GSS 07	305	296	310	190	120	33	200				475	475		490	540	540	571	573	573	587	587

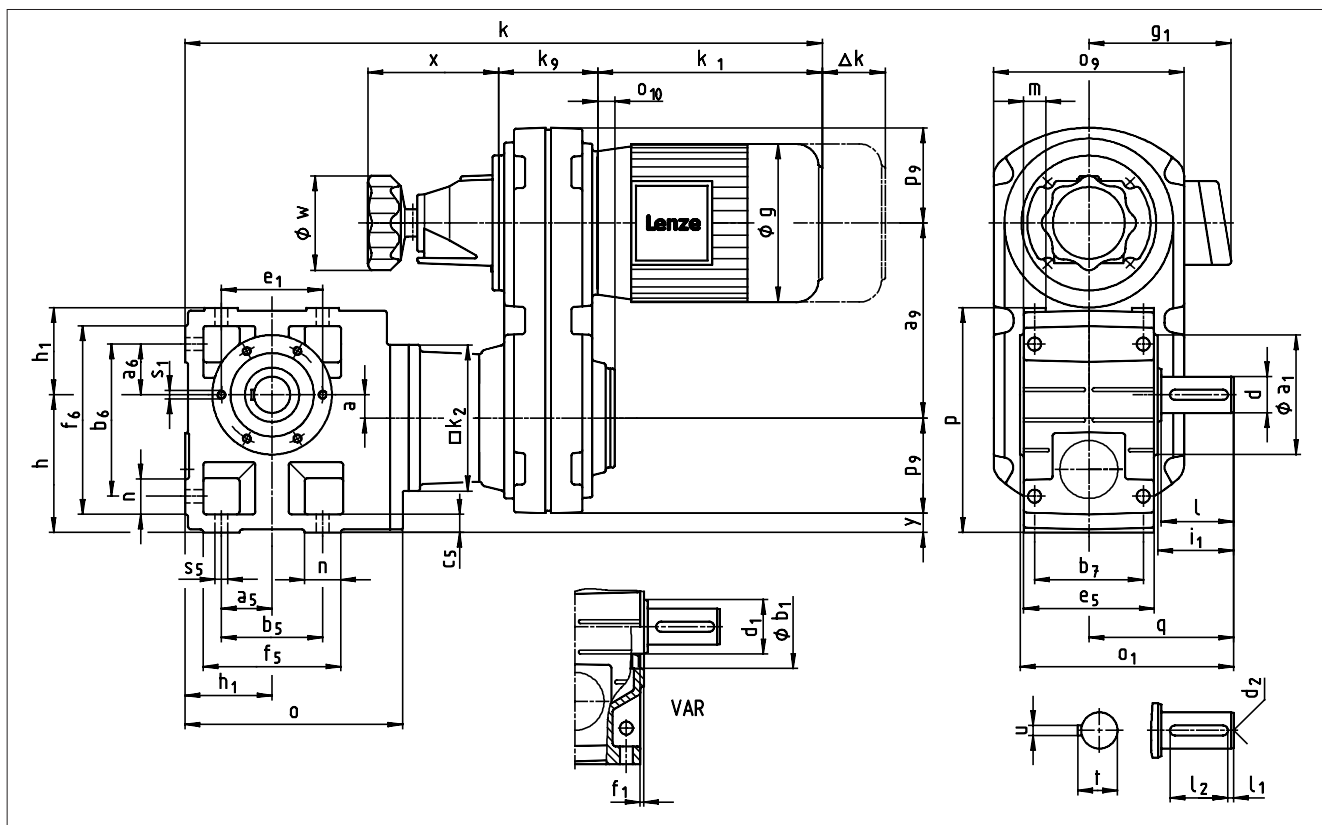
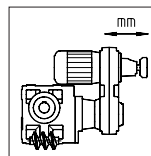
Gearbox size	Solid shaft								Pitch circle					Foot												
	d k6	l	d ₁	l ₁	l ₂	d ₂	u	t	a ₁	b ₁ H7	e ₁	f ₁	i ₁	s ₁ 6x60°	a ₅	a ₆	b ₅	b ₆	b ₇	c ₅	e ₅	f ₅	f ₆	n	m	s ₅
GSS 04	25	50	45	4	40	M10	8	28	105	75	90	3	52.5	M6x12	45	45	90	119	85	14	105	112	141	22	21	9
GSS 05	30	60	50	6	45	M10	8	33	118	80	100	4	64	M8x15	47.5	47.5	95	140	105	17	127	124	169	29	21	11
GSS 06	40	80	65	7	63	M16	12	43	140	100	120	4	85	M10x16	60	60	120	170	120	20	145	156	206	36	23	14
GSS 07	50	100	75	8	80	M16	14	53.5	165	115	140	5	105	M12x18	70	70	140	210	150	25	180	185	255	45	28	18

Dimensions in [mm] * Observe dimension k₂ ** with swivel position 2 only terminal box position 2 possible, fan cover flat on opposite side of terminal box, when using other motors: observe distance between motor and gearbox!

Observe dimensions z and y! (see page 5-106) Only swivel positions 3 and 5 possible

Compact units

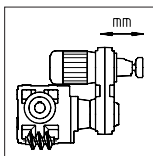
Dimensions with helical-worm gearboxes



Compact unit GSS □□ - 2 K V □ R Motor position 1		Drive size														
		071		080		090		100		112						
		-12/-32	-32	-12/-32	-12/-32	-12/-32	-12/-32	-12/-32	-12/-32	-22/-32						
		10B	13C	13C	14D	14D	16D	16D	20E	21E						
Motor	g	143	143	160	160	180	180	206	206	222						
	g₁ Without options	128	128	137	137	147	147	140	140	174						
	Brake motor	131	131	142	142	154	154	151	151	174						
	k₁	237	237	267	267	350	350	316	316	379						
	Δk Brake	54	54	36	36	48	48	111	111	80						
Variable speed drives	a₉	136	173	173	193	193	217	217	248	274						
	k₉	65	95	95	95	95	110	110	130	130						
	o₉	135	180	180	180	180	212	212	263	263						
	p₉	67	90	90	90	90	106	106	132	132						
	w	70	70	70	70	70	105	105	105	105						
	x	100	108	108	108	108	147	147	147	147						
	o₁₀	17	17	17	17	17	17	17	27	27						
Housing	k₂	115	145	145	145	145	145	145	180	180						
Gearbox size	Gearbox							Total length								
	o	o₁*	p*	h	h₁	a	q	k								
	GSS 04	181	163	171	100	71	20	108	532	589	619					
	GSS 05	212	197	205	125	80	23	130		611	641	659	742		723	
	GSS 06	255	236	250	150	100	26	160		651	681		782	797	763	
GSS 07	305	296	310	190	120	33	200				742	825		806	856	919

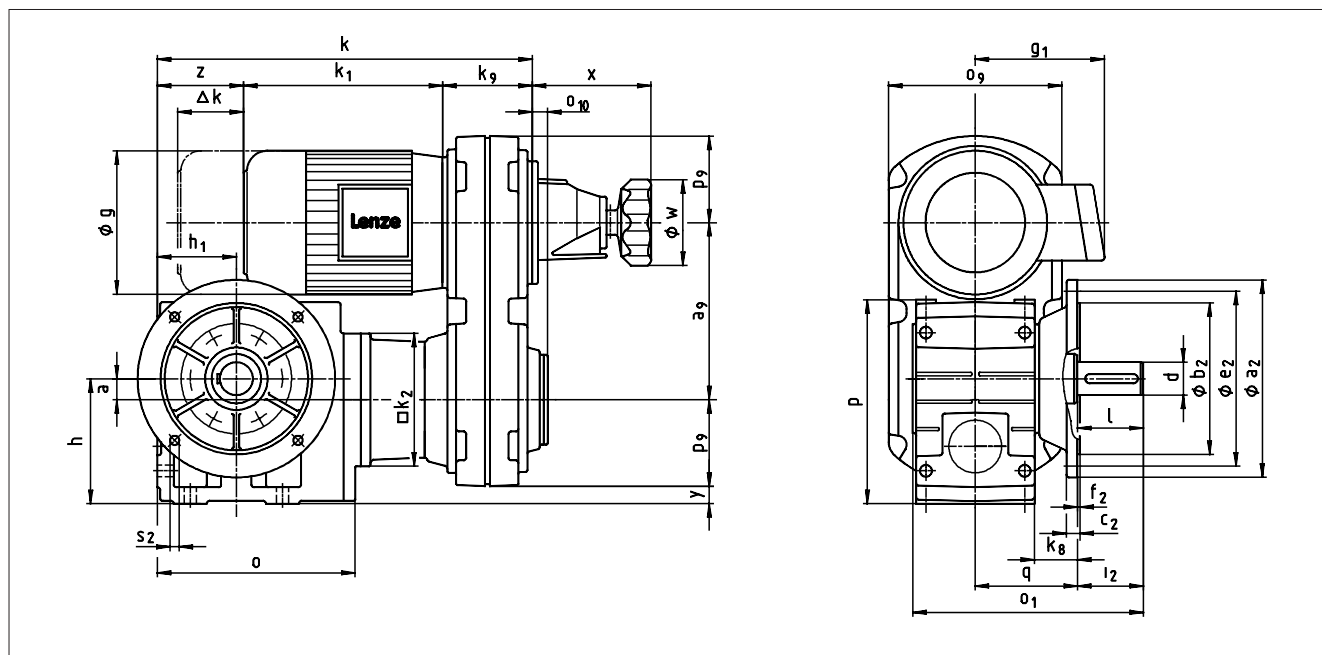
Gearbox size	Solid shaft								Pitch circle					Foot												
	d	l	d ₁	l ₁	l ₂	d ₂	u	t	a ₁	b ₁	e ₁	f ₁	i ₁	s ₁	a ₅	a ₆	b ₅	b ₆	b ₇	c ₅	e ₅	f ₅	f ₆	n	m	s ₅
GSS 04	25	50	45	4	40	M10	8	28	105	75	90	3	52.5	M6x12	45	45	90	119	85	14	100	112	141	22	21	9
GSS 05	30	60	50	6	45	M10	8	33	118	80	100	4	64	M8x15	47.5	47.5	95	140	105	17	127	124	169	29	21	11
GSS 06	40	80	65	7	63	M16	12	43	140	100	120	4	85	M10x16	60	60	120	170	120	20	145	156	206	36	23	14
GSS 07	50	100	75	8	80	M16	14	53.5	165	115	140	5	105	M12x18	70	70	140	210	150	25	180	185	255	45	28	18

Dimensions in [mm] * Observe dimension k₂ Observe dimension y! (see page 5-106)



Compact units

Dimensions with helical-worm gearboxes

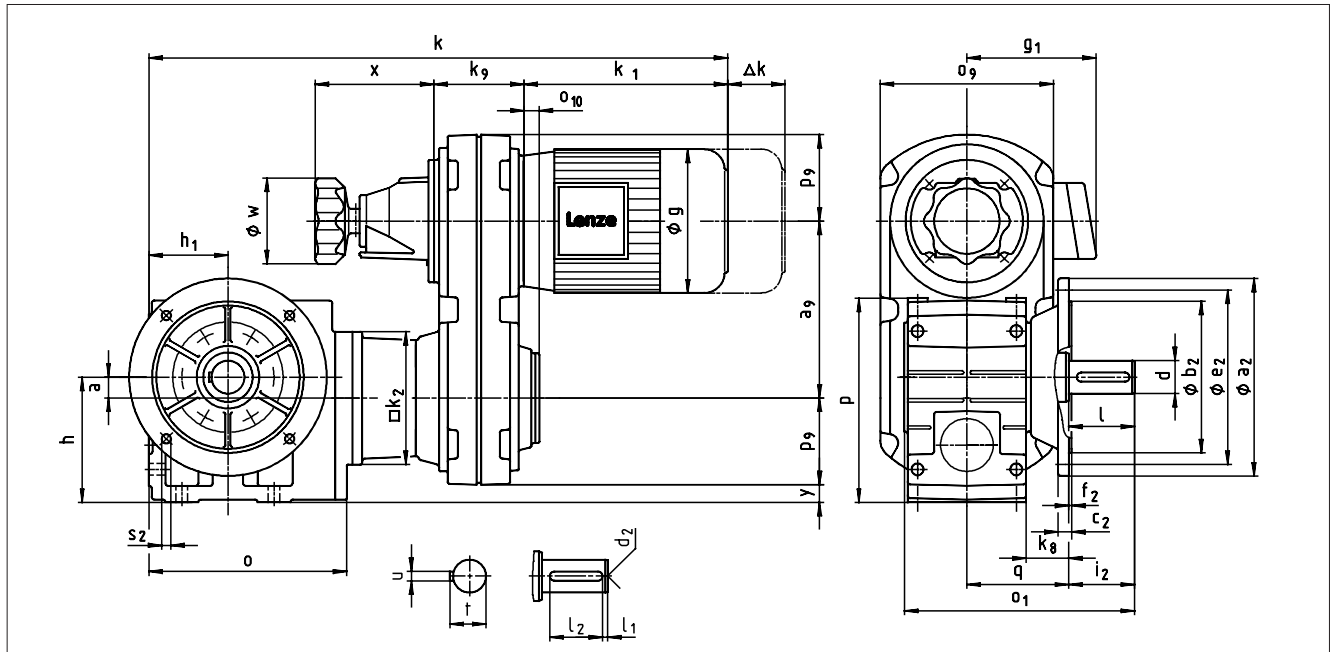
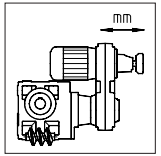


Compact unit		Drive size																				
GSS □□ - 2 K VAK		071		080		090		100**		112		132		160		180						
Motor position 6		-12/-32	-32	-12/-32	-12/-32	-12/-32	-12/-32	-12/-32	-12/-32	-22/-32	-22/-32	-22	-32	-22	-32	-22						
		10B	13C	13C	14D	14D	16D	16D	20E	21E	25F	26F	26F	31G	31G	31G						
Motor	g	143	143	160	160	180	180	206	206	222	222	274	323	323	360							
	g₁ Without options	128	128	137	137	147	147	140	140	174	174	196	253	253	275							
	Brake motor	131	131	142	142	154	154	151	151	174	174	212	253	253	275							
	k₁	237	237	267	267	350	350	316	316	379	379	450	564	564	595							
	Δk Brake	54	54	36	36	48	48	111	111	80	80	63	120	120	122							
Variable speed drives	a₉	136	173	173	193	193	217	217	248	274	316	347	347	392	392							
	k₉	65	95	95	95	95	110	110	130	130	160	160	160	196	196							
	o₉	135	180	180	180	180	212	212	263	263	320	320	320	394	394							
	p₉	67	90	90	90	90	106	106	132	132	160	160	160	197	197							
	w	70	70	70	70	70	105	105	105	105	160	160	160	160	160							
	x	100	108	108	108	108	147	147	147	147	184	184	184	184	184							
	o₁₀	17	17	17	17	17	17	17	27	27	39	39	39	39	39							
Housing	k₂	115	145	145	145	145	145	145	180	180	222	222	222	222	222							
Gearbox size	Gearbox								Total length													
	o	o₁*	p*	h	h₁	a	k₈	q	k													
	GSS 04	181	196	171	100	71	20	38	90.5	295	352	352										
	GSS 05	212	230	205	125	80	23	40	103		374	374	392	392		407						
	GSS 06	255	277	250	150	100	26	49	121		414	414		432	447	447	497	528	530	530		
GSS 07	305	351	310	190	120	33	65	155				475	475		490	540	540	571	573	573	587	587

Gearbox size	Solid shaft							Output flange						
	d k6	l	l ₁	l ₂	d ₂	u	t	a ₂	b ₂ j7	c ₂	e ₂	f ₂	i ₂	s ₂
GSS 04	25	50	4	40	M10	8	28	160	110	10	130	3.5	50	4 x 9
GSS 05	30	60	6	45	M10	8	33	200	130	12	165	3.5	60	4 x 11
GSS 06	40	80	7	63	M16	12	43	250	180	14.5	215	4	80	4 x 14
GSS 07	50	100	8	80	M16	14	53.5	250 300	180 230	14.5 16.5	215 265	4	100	4 x 14

Dimensions in [mm] * Observe dimension k₂ ** with swivel position 2 only terminal box position 2 possible, fan cover flat on opposite side of terminal box, when using other motors: observe distance between motor and gearbox!

Observe dimensions z and y! (see page 5-106) Only swivel positions 3 and 5 possible



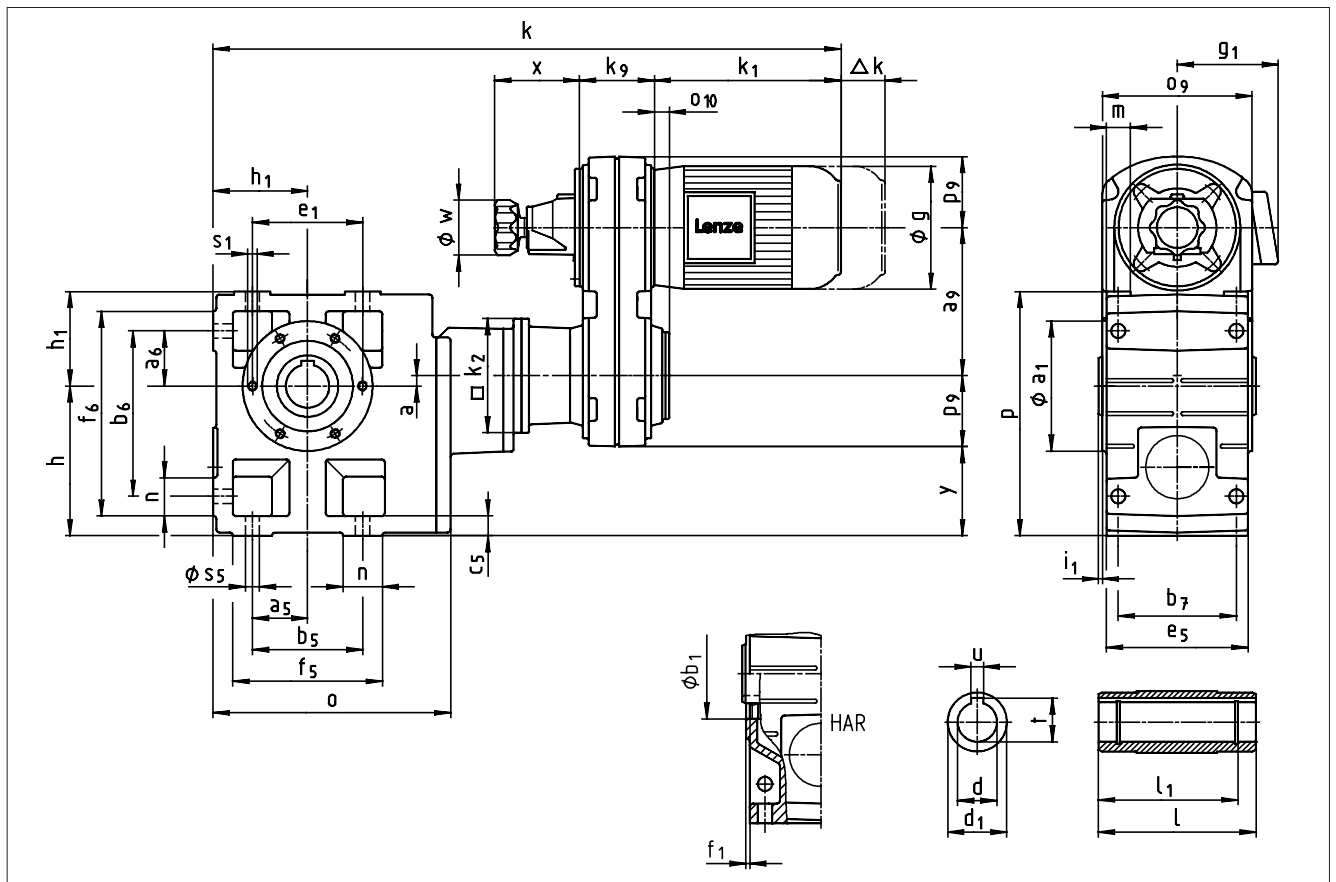
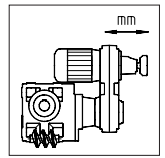
Compact unit GSS □□ - 2 K VAK Motor position 1		Drive size																					
		071		080		090		100		112													
		-12/-32	-32	-12/-32		-12/-32		-12/-32		-22/-32													
		10B	13C	13C	14D	14D	16D	16D	20E	21E													
Motor	g	143	143	160	160	180	180	206	206	222													
	g₁ Without options	128	128	137	137	147	147	140	140	174													
	Brake motor	131	131	142	142	154	154	151	151	174													
	k₁	237	237	267	267	350	350	316	316	379													
	Δk Brake	54	54	36	36	48	48	111	111	80													
Variable speed drives	a₉	136	173	173	193	193	217	217	248	274													
	k₉	65	95	95	95	95	110	110	130	130													
	o₉	135	180	180	180	180	212	212	263	263													
	p₉	67	90	90	90	90	106	106	132	132													
	w	70	70	70	70	70	105	105	105	105													
	x	100	108	108	108	108	147	147	147	147													
	o₁₀	17	17	17	17	17	17	17	27	27													
Housing	k₂	115	145	145	145	145	145	145	180	180													
Gearbox size	Gearbox									Total length													
	o	o₁*	p*	h	h₁	a	k₈	q	k														
	GSS 04	181	196	171	100	71	20	38	90.5	532	589	619											
	GSS 05	212	230	205	125	80	23	40	103		611	641	659	742		723							
	GSS 06	255	277	250	150	100	26	49	121		651	681		782	797	763							876
GSS 07	305	351	310	190	120	33	65	155				742	825		806	856							919

Gearbox size	Solid shaft								Output flange						
	d k6	l	l ₁	l ₂	d ₂	u	t	a ₂	b ₂ j7	c ₂	e ₂	f ₂	i ₂	s ₂	
GSS 04	25	50	4	40	M10	8	28	160	110	10	130	3.5	50	4 x 9	
GSS 05	30	60	6	45	M10	8	33	200	130	12	165	3.5	60	4 x 11	
GSS 06	40	80	7	63	M16	12	43	250	180	14.5	215	4	80	4 x 14	
GSS 07	50	100	8	80	M16	14	53.5	250 300	180 230	14.5 16.5	215 265	4	100	4 x 14	

Dimensions in [mm] * Observe dimension k₂ Observe dimension y! (see page 5-106)

Compact units

Dimensions with helical-worm gearboxes



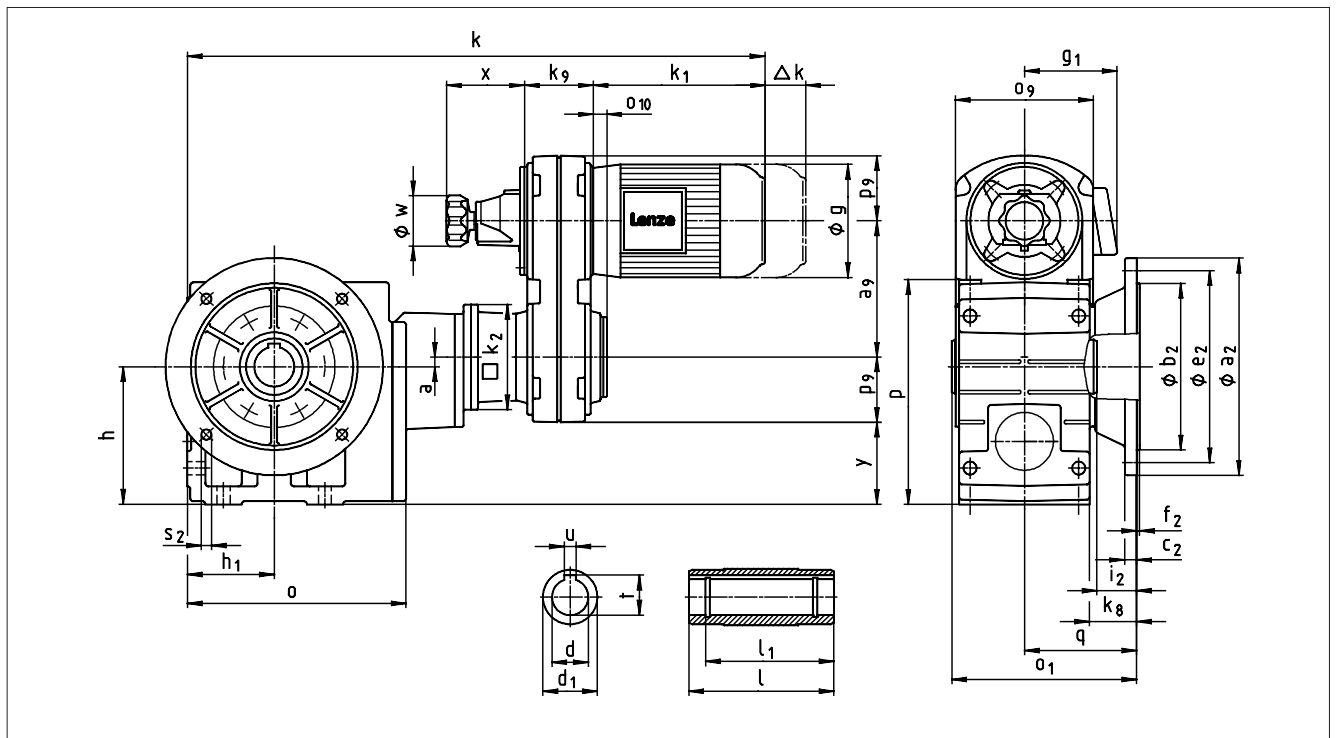
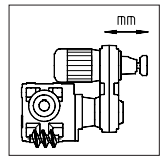
Compact unit		Drive size																						
GSS □□ - 3 K H □ R		071		080		090	100																	
Motor position 1		-12/-32	-32	-12/-32	-12/-32	-12/-32	-12/-32																	
		10B	13C	13C	14D	14D	16D																	
Motor	g	143	143	160	160	180	206																	
	g₁ Without options	128	128	137	137	147	140																	
	Brake motor	131	131	142	142	154	151																	
	k₁	237	237	267	267	350	316																	
	Δk Brake	54	54	36	36	48	111																	
Variable speed drives	a₉	136	173	173	193	193	217																	
	k₉	65	95	95	95	95	110																	
	o₉	135	180	180	180	180	212																	
	p₉	67	90	90	90	90	106																	
	w	70	70	70	70	70	105																	
	x	100	108	108	108	108	147																	
	o₁₀	17	17	17	17	17	17																	
Housing	k₂	115	145	145	145	145	145																	
Gearbox size	Gearbox						Total length																	
	o	l*	p*	h	h₁	a	k																	
GSS 05	209	140	205	125	80	13	630				717													
GSS 06	252	160	250	150	100	10					744				744									
GSS 07	299	200	310	190	120	12					798				846				929				910	

Gearbox size	Hollow shaft						Pitch circle						Foot											
	d H7	l	d₁	l₁	u JS9	t +0.2	a₁	b₁ H7	e₁	f₁	i₁	s₁ 6x60°	a₅	a₆	b₅	b₆	b₇	c₅	e₅	f₅	f₆	n	m	s₅
GSS 05	30 35	140	50	124	8 10	33.3 38.3	118	80	100	4	4	M8x15	47.5	47.5	95	140	105	17	127	124	169	29	21	11
GSS 06	40 45	160	65	140	12 14	43.3 48.8	140	100	120	4	5	M10x16	60	60	120	170	120	20	145	156	206	36	23	14
GSS 07	50 55	200	75	175	14 16	53.8 59.3	165	115	140	5	5	M12x18	70	70	140	210	150	25	180	185	255	45	28	18

Dimensions in [mm] * Observe dimension k_2 Observe dimension y ! (see page 5-107)

Compact units

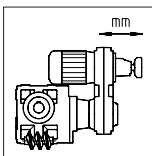
Dimensions with helical-worm gearboxes



Compact unit		Drive size																	
GSS □□ - 3 K HAK		071		080		090	100												
Motor position 1		-12/-32	-32	-12/-32		-12/-32	-12/-32												
		10B	13C	13C	14D	14D	16D												
Motor	g	143	143	160	160	180	206												
	g ₁ Without options	128	128	137	137	147	140												
	Brake motor	131	131	142	142	154	151												
	k ₁	237	237	267	267	350	316												
	Δk Brake	54	54	36	36	48	111												
Variable speed drives	a ₉	136	173	173	193	193	217												
	k ₉	65	95	95	95	95	110												
	o ₉	135	180	180	180	180	212												
	p ₉	67	90	90	90	90	106												
	w	70	70	70	70	70	105												
	x	100	108	108	108	108	147												
	o ₁₀	17	17	17	17	17	17												
Housing	k ₂	115	145	145	145	145	145												
Gearbox size	Gearbox								Total length										
	o	o ₁ *	p*	h	h ₁	a	k ₈	q	k										
GSS 05	209	173	205	125	80	13	40	103	630										
GSS 06	252	201	250	150	100	10	49	121		744									
GSS 07	299	255	310	190	120	12	65	155		798				846	929				910

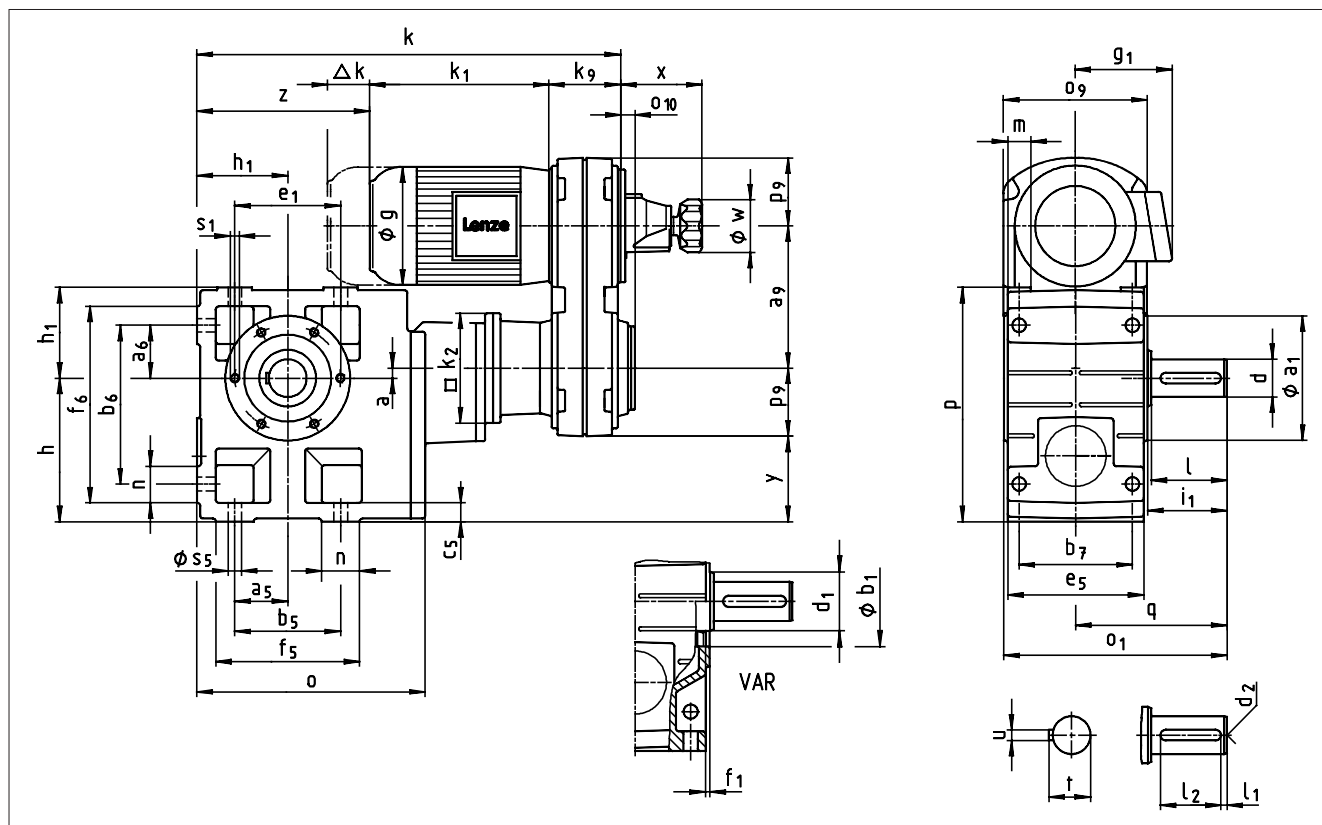
Gearbox size	Hollow shaft						Output flange							
	d H7	l	d ₁	l ₁	u JS9	t +0.2	a ₂	b ₂ j7	c ₂	e ₂	f ₂	i ₂	s ₂	
GSS 05	30 35	140	50	124	8 10	33.3 38.3	200	130	12	165	3.5	33	4 x 11	
GSS 06	40 45	160	65	140	12 14	43.3 48.8	200 250	130 180	12 14.5	165 215	3.5 4	42 41	4 x 11 4 x 14	
GSS 07	50 55	200	75	175	14 16	53.8 59.3	250 300	180 230	14.5 16.5	215 265	4	55	4 x 14	

Dimensions in [mm] * Observe dimension k₂ Observe dimension y! (see page 5-107)



Compact units

Dimensions with helical-worm gearboxes



Compact unit		Drive size															
GSS □□ - 3KV□□		071		080		090	100**										
Motor position 6		-12/-32	-32	-12/-32	-12/-32	-12/-32	-12/-32										
		10B	13C	13C	14D	14D	16D										
Motor	g	143	143	160	160	180	206										
	g₁ Without options	128	128	137	137	147	140										
	Brake motor	131	131	142	142	154	151										
	k₁	237	237	267	267	350	316										
Variable speed drives	Δk Brake	54	54	36	36	48	111										
	a₉	136	173	173	193	193	217										
	k₉	65	95	95	95	95	110										
	o₉	135	180	180	180	180	212										
	p₉	67	90	90	90	90	106										
	w	70	70	70	70	70	105										
	x	100	108	108	108	108	147										
	o₁₀	17	17	17	17	17	17										
Housing		k₂	115	145	145	145	145										
Gearbox size	Gearbox							Total length									
	o	o₁*	p*	h	h₁	a	q	k									
	GSS 05	209	197	205	125	80	13	130	393		450						
	GSS 06	252	236	250	150	100	10	160		507	507						
GSS 07	299	296	310	190	120	12	200		561		579	579				594	

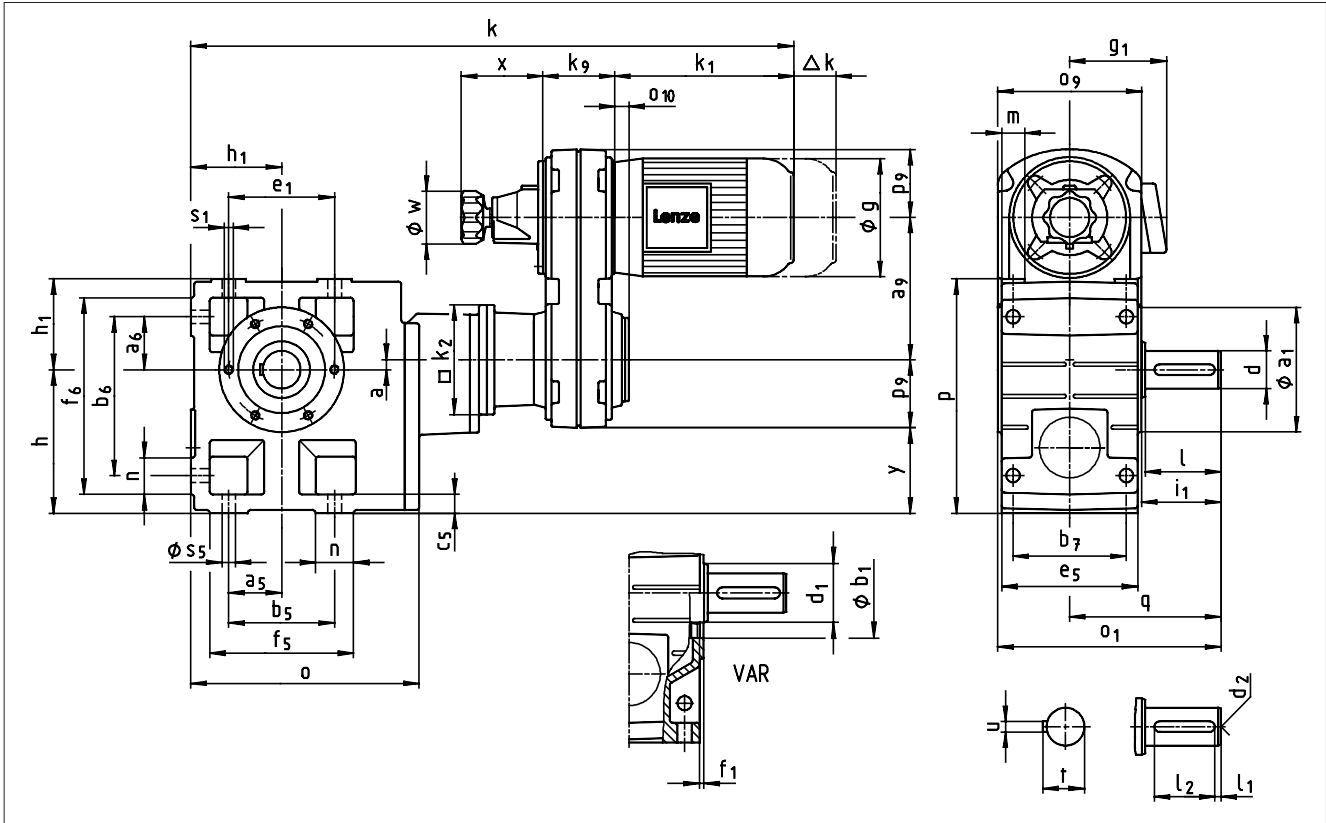
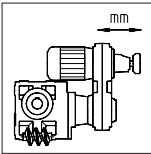
Gearbox size	Solid shaft								Pitch circle						Foot											
	d	l	d ₁	l ₁	l ₂	d ₂	u	t	a ₁	b ₁	e ₁	f ₁	i ₁	s ₁	a ₅	a ₆	b ₅	b ₆	b ₇	c ₅	e ₅	f ₅	f ₆	n	m	s ₅
GSS 05	30	60	50	6	45	M10	8	33	118	80	100	4	64	M8x15	47.5	47.5	95	140	105	17	127	124	169	29	21	11
GSS 06	40	80	65	7	63	M16	12	43	140	100	120	4	85	M10x16	60	60	120	170	120	20	145	156	206	36	23	14
GSS 07	50	100	75	8	80	M16	14	53.5	165	115	140	5	105	M12x18	70	70	140	210	150	25	180	185	255	45	28	18

Dimensions in [mm] * Observe dimension k₂ ** with swivel position 2 only terminal box position 2 possible, fan cover flat on opposite side of terminal box, when using other motors: observe distance between motor and gearbox!

Observe dimensions z and y! (see page 5-107) Only swivel positions 3 and 5 possible

Compact units

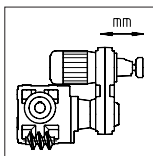
Dimensions with helical-worm gearboxes



Compact unit GSS □□ - 3 K V □ R Motor position 1		Drive size															
		071		080		090	100										
		-12/-32	-32	-12/-32	-12/-32	-12/-32	-12/-32										
		10B	13C	13C	14D	14D	16D										
Motor	g	143	143	160	160	180	206										
	g₁ Without options	128	128	137	137	147	140										
	Brake motor	131	131	142	142	154	151										
	k₁	237	237	267	267	350	316										
	Δk Brake	54	54	36	36	48	111										
Variable speed drives	a₉	136	173	173	193	193	217										
	k₉	65	95	95	95	95	110										
	o₉	135	180	180	180	180	212										
	p₉	67	90	90	90	90	106										
	w	70	70	70	70	70	105										
	x	100	108	108	108	108	147										
	o₁₀	17	17	17	17	17	17										
Housing	k₂	115	145	145	145	145	145										
Gearbox size	Gearbox							Total length									
	o	o ₁ *	p*	h	h ₁	a	q	k									
GSS 05	209	197	205	125	80	13	130	630					717				
GSS 06	252	236	250	150	100	10	160			744			774				
GSS 07	299	296	310	190	120	12	200			798			846		929		910

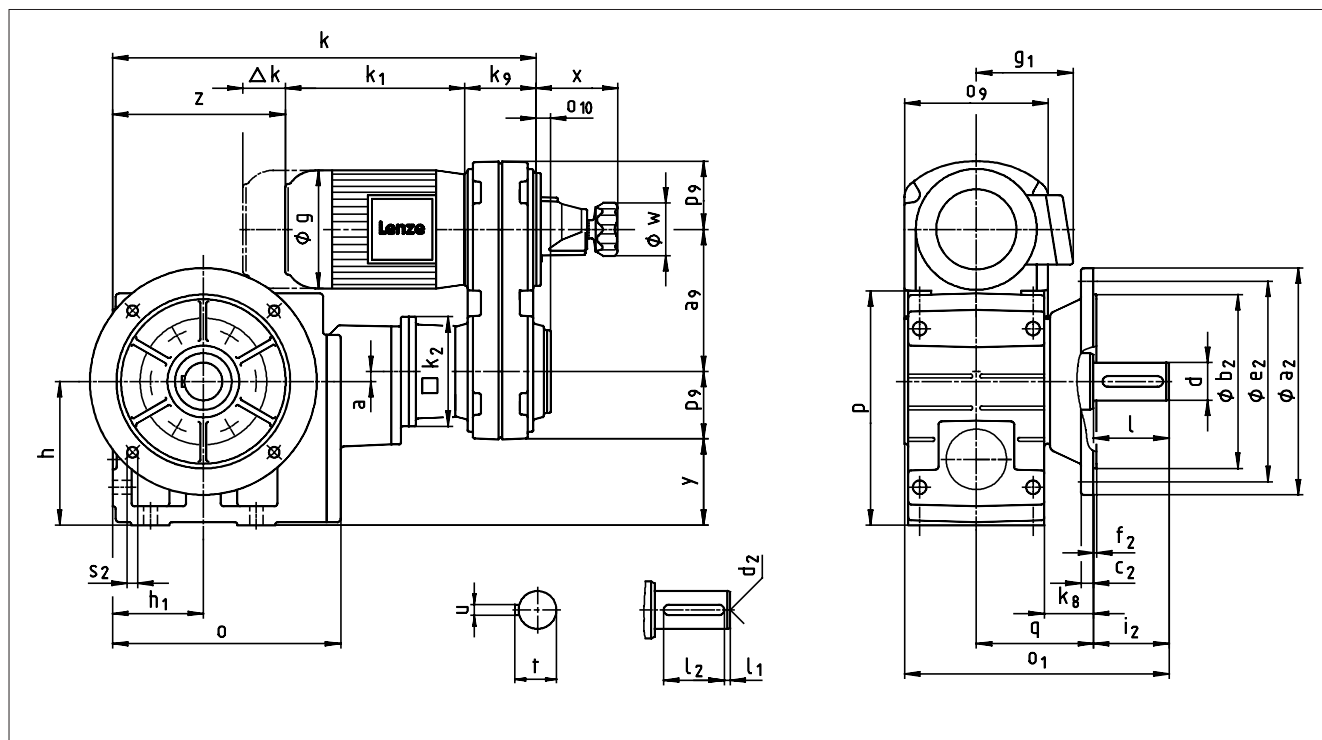
Gearbox size	Solid shaft								Pitch circle					Foot												
	d	l	d ₁	l ₁	l ₂	d ₂	u	t	a ₁	b ₁	e ₁	f ₁	i ₁	s ₁	a ₅	a ₆	b ₅	b ₆	b ₇	c ₅	e ₅	f ₅	f ₆	n	m	s ₅
GSS 05	30	60	50	6	45	M10	8	33	118	80	100	4	64	M8x15	47.5	47.5	95	140	105	17	127	124	169	29	21	11
GSS 06	40	80	65	7	63	M16	12	43	140	100	120	4	85	M10x16	60	60	120	170	120	20	145	156	206	36	23	14
GSS 07	50	100	75	8	80	M16	14	53.5	165	115	140	5	105	M12x18	70	70	140	210	150	25	180	185	255	45	28	18

Dimensions in [mm] * Observe dimension k₂ Observe dimension y! (see page 5-107)



Compact units

Dimensions with helical-worm gearboxes

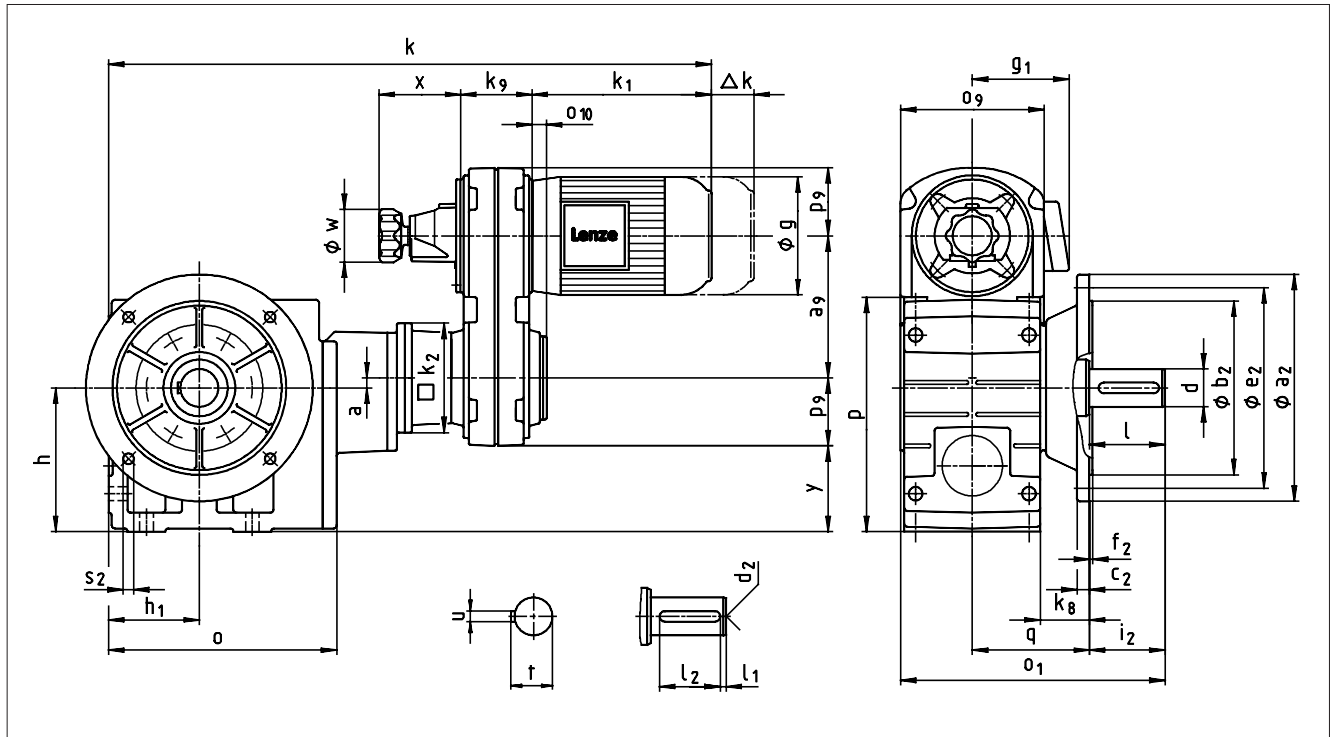
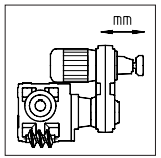


Compact unit		Drive size													
GSS □ □ - 3 K VAK		071		080		090	100**								
Motor position 6		-12/-32	-32	-12/-32	-12/-32	-12/-32	-12/-32								
		10B	13C	13C	14D	14D	16D								
Motor	g	143	143	160	160	180	206								
	g₁ Without options	128	128	137	137	147	140								
	Brake motor	131	131	142	142	154	151								
	k₁	237	237	267	267	350	316								
	Δk Brake	54	54	36	36	48	111								
Variable speed drives	a₉	136	173	173	193	193	217								
	k₉	65	95	95	95	95	110								
	o₉	135	180	180	180	180	212								
	p₉	67	90	90	90	90	106								
	w	70	70	70	70	70	105								
	x	100	108	108	108	108	147								
	o₁₀	17	17	17	17	17	17								
Housing	k₂	115	145	145	145	145	145								
Gearbox size	Gearbox								Total length						
	o	o₁*	p*	h	h₁	a	k₈	q	k						
GSS 05	209	230	205	125	80	13	40	103	393		450				
GSS 06	252	277	250	150	100	10	49	121		507	507				
GSS 07	299	351	310	190	120	12	65	155		561		579	579		594

Gearbox size	Solid shaft							Output flange						
	d k6	l	l₁	l₂	d₂	u	t	a₂	b₂ j7	c₂	e₂	f₂	i₂	s₂
GSS 05	30	60	6	45	M10	8	33	200	130	12	165	3.5	60	4 x 11
GSS 06	40	80	7	63	M16	12	43	250	180	14.5	215	4	80	4 x 14
GSS 07	50	100	8	80	M16	14	53.5	250 300	180 230	14.5 16.5	215 265	4	100	4 x 14

Dimensions in [mm] * Observe dimension k_2 ** with swivel position 2 only terminal box position 2 possible, fan cover flat on opposite side of terminal box, when using other motors: observe distance between motor and gearbox!

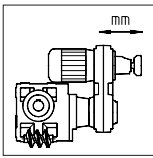
Observe dimensions z and y ! (see page 5-107) Only swivel positions 3 and 5 possible



Compact unit GSS □□ - 3 K VAK Motor position 1		Drive size												
		071		080		090	100							
		-12/-32	-32	-12/-32		-12/-32	-12/-32							
Motor	g	143	143	160	160	180	206							
	g₁ Without options	128	128	137	137	147	140							
	Brake motor	131	131	142	142	154	151							
	k₁	237	237	267	267	350	316							
	Δk Brake	54	54	36	36	48	111							
Variable speed drives	a₉	136	173	173	193	193	217							
	k₉	65	95	95	95	95	110							
	o₉	135	180	180	180	180	212							
	p₉	67	90	90	90	90	106							
	w	70	70	70	70	70	105							
	x	100	108	108	108	108	147							
	o₁₀	17	17	17	17	17	17							
Housing	k₂	115	145	145	145	145	145							
Gearbox size	Gearbox								Total length					
	o	o₁*	p*	h	h₁	a	k₈	q	k					
GSS 05	209	230	205	125	80	13	40	103	630		717			
GSS 06	252	277	250	150	100	10	49	121		744	774			
GSS 07	299	351	310	190	120	12	65	155		798		846	929	910

Gearbox size	Solid shaft								Output flange						
	d k6	l	l₁	l₂	d₂	u	t	a₂	b₂ j7	c₂	e₂	f₂	i₂	s₂	
GSS 05	30	60	6	45	M10	8	33	200	130	12	165	3.5	60	4 x 11	
GSS 06	40	80	7	63	M16	12	43	250	180	14.5	215	4	80	4 x 14	
GSS 07	50	100	8	80	M16	14	53.5	250 300	180 230	14.5 16.5	215 265	4	100	4 x 14	

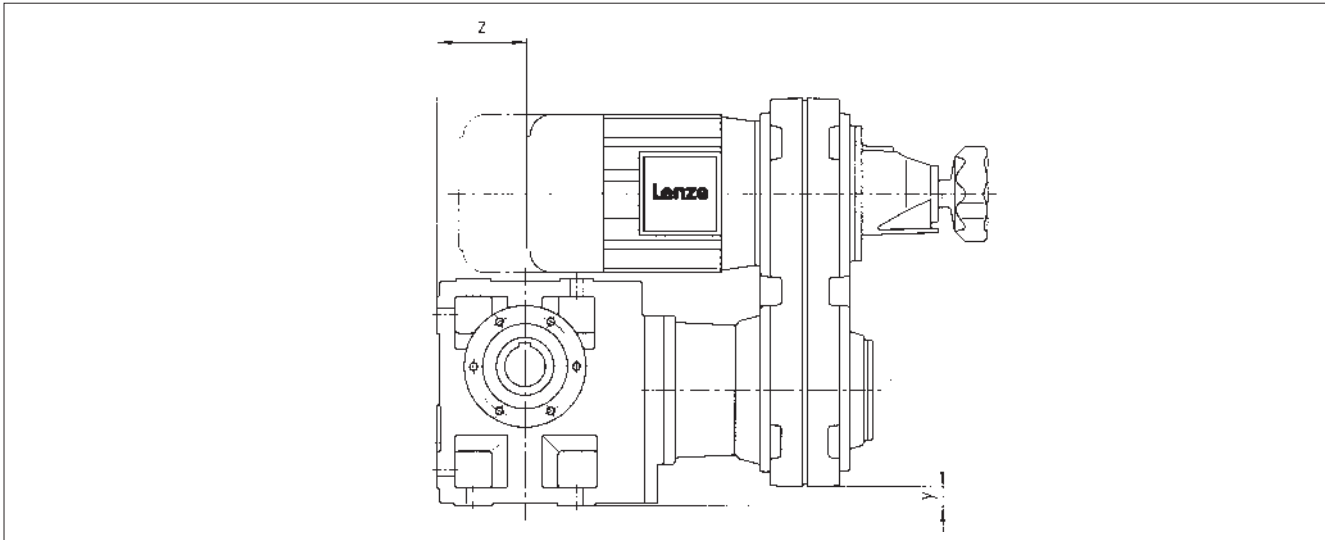
Dimensions in [mm] * Observe dimension k₂ Observe dimension y! (see page 5-107)



Compact units

Dimensions with helical-worm gearboxes

Test dimensions



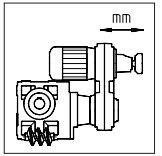
Compact unit GSS □□ - 2 K H □ R Motor position 6	Drive size														
	071		080		090		100		112		132		160		180
	-12/-32	-32	-12/-32		-12/-32		-12/-32		-22/-32		-22/-32		-22	-32	-22
	10B	13C	13C	14D	14D	16D	16D	20E	21E	25F	26F	26F	31G	31G	
Gearbox size	Test dimension z														
GSS 04	-7	20	-10												
GSS 05		42	12	30	-54		-20								
GSS 06		82	52		-14	-14	21		-13	-12	-81	-195			
GSS 07				113	30		64	94	31	32	-38	-152	-174	-205	
	Test dimension y														
GSS 04	13	-10	-10												
GSS 05		12	12	12	12		-4								
GSS 06		34	34		34	18	18		-8	-36	-36	-36			
GSS 07				67	67		51	25	25	-3	-3	-3	-40	-40	

Dimensions in [mm]

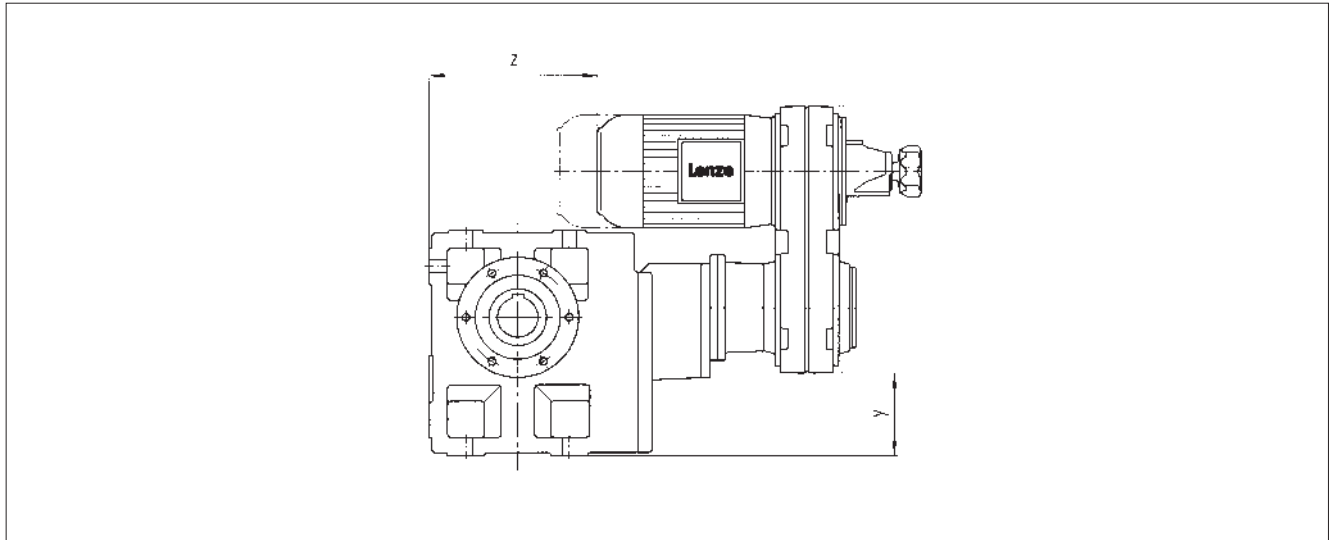
5

Compact units

Dimensions with helical-worm gearboxes

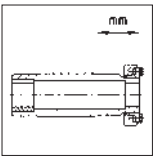


Test dimensions



Compact unit GSS □□ - 3 K □□□	Drive size					
	071		080		090	100
	-12/-32	-32	-12/-32	-12/-32	-12/-32	-12/-32
	10B	13C	13C	14D	14D	16D
Gearbox size	Test dimension z					
GSS 05	91		88			
GSS 06		175	145			
GSS 07		229		217	134	168
	Test dimension y					
GSS 05	71		48			
GSS 06		70	70			
GSS 07		112		112	112	96

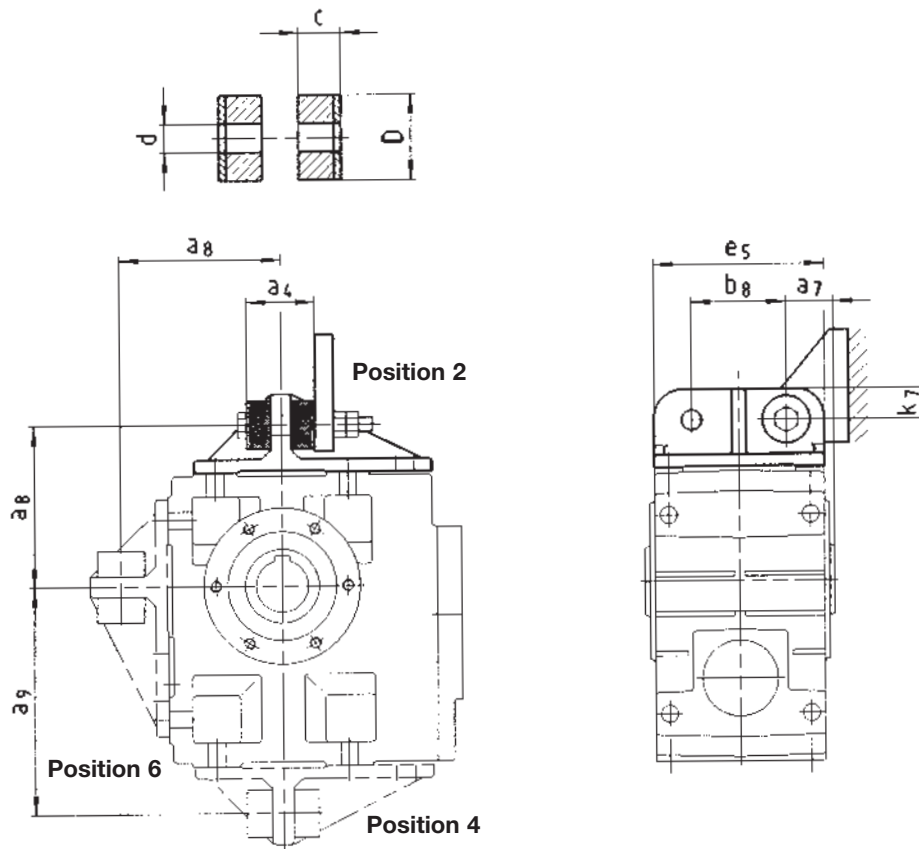
Dimensions in [mm]



Compact units

Additional dimensions GSS

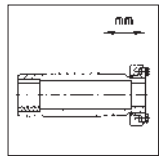
Torque plate at housing foot



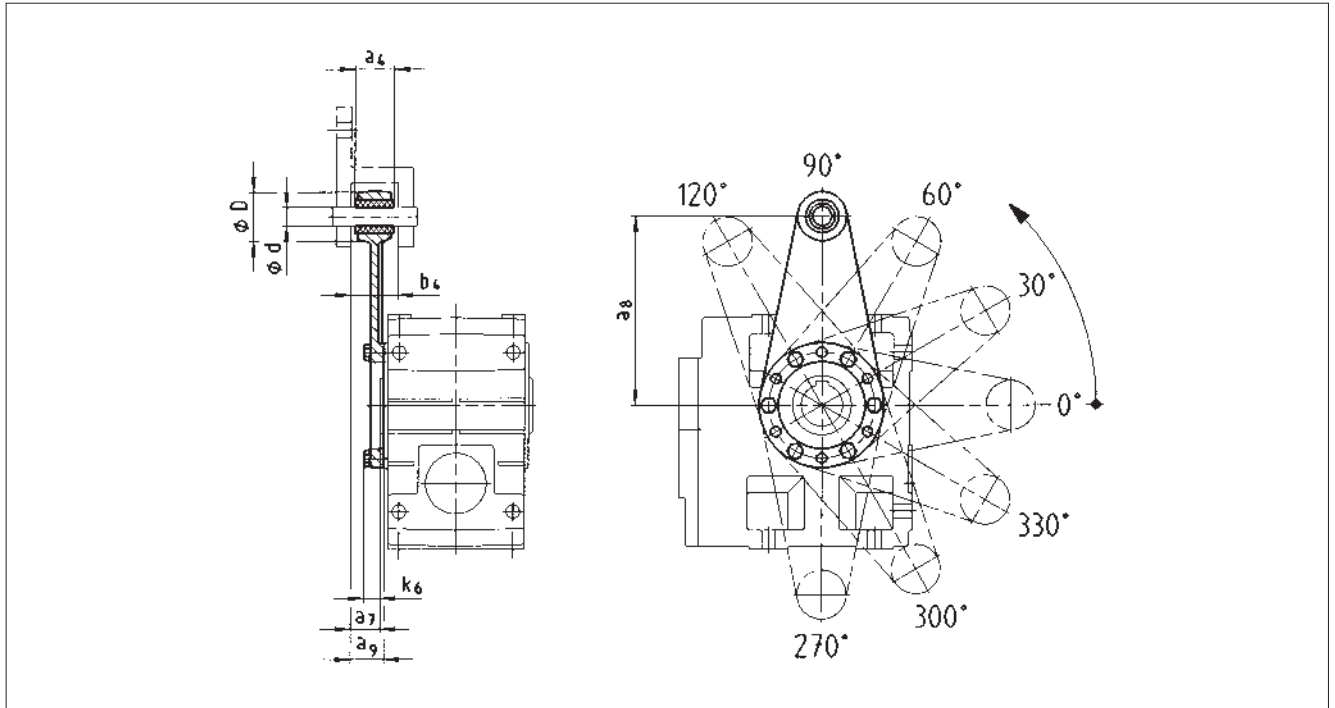
5

Gearbox size	a_4	a_7	a_8	a_9	b_8	c	d	D	e_5	k_7
GSS 04	41	27.5	106	135	60	14.5	11	30	100	20
GSS 05	45	35	115	160	70	15	13	40	127	25
GSS 06	72	40	145	195	80	27	17	50	145	30
GSS 07	78	50	170	240	100	28	21	60	180	35

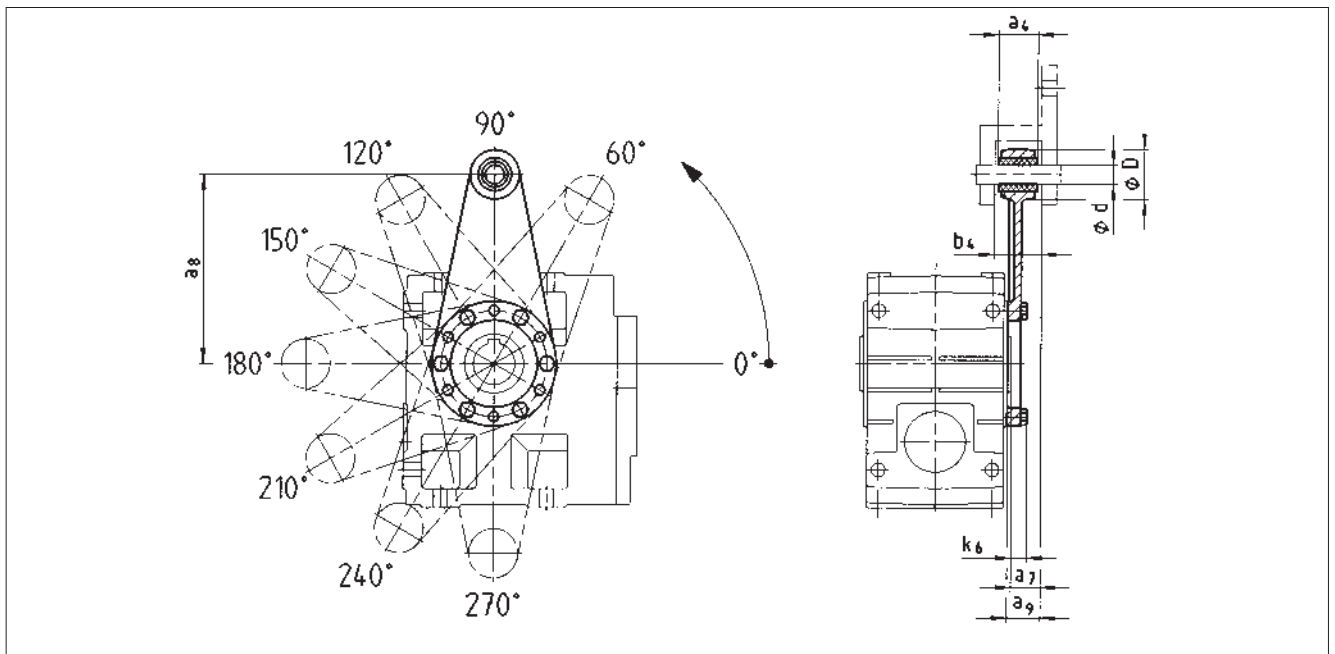
Dimensions in [mm]



Torque plate at pitch circle in position 3

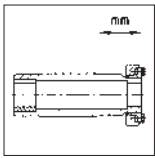


Torque plate at pitch circle in position 5



Gearbox size	Mounting space		Torque plate					
	a ₇	b ₄	a ₄	a ₈	a ₉	d	D	k ₆
GSS 04	24	34.5	30	130	26.5	12	35	16
GSS 05	23.5	38.5	34	160	27.5	16	45	15
GSS 06	28	44.5	40	200	33	20	50	18
GSS 07	32.5	50.5	46	250	37.5	25	65	21

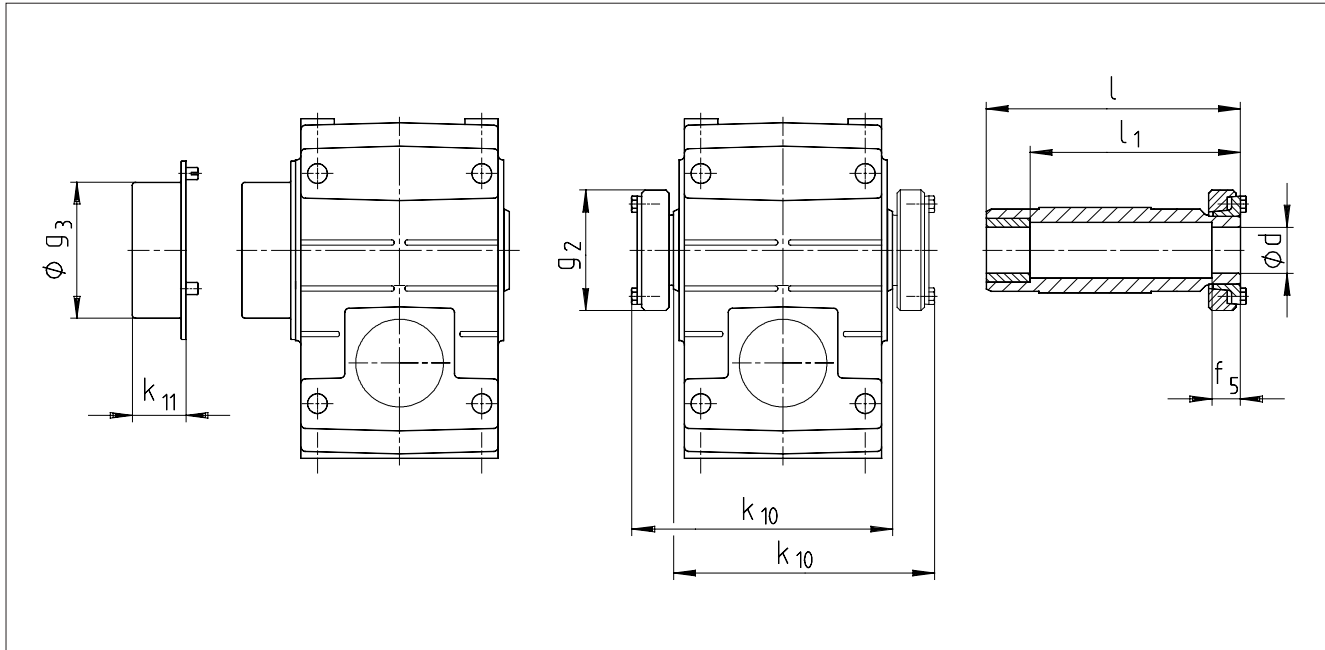
Dimensions in [mm]



Compact units

Additional dimensions GSS □ □

Hollow shaft with shrink disc

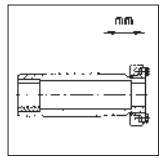


Gearbox size	Machine shaft		Hollow shaft			Gearbox*		Protection cover	
	d	Fit	l	l ₁	f ₅	g ₂	k ₁₀	g ₃	k ₁₁
GSS 04	25 30	h6	142	122	26	72	146	79	41
GSS 05	30 35	h6	168	148	28	80	171	90	43
GSS 06	40	h6	194	164	30	90	197	100	49
GSS 07	50	h6	232	192	26	110	234	124	49

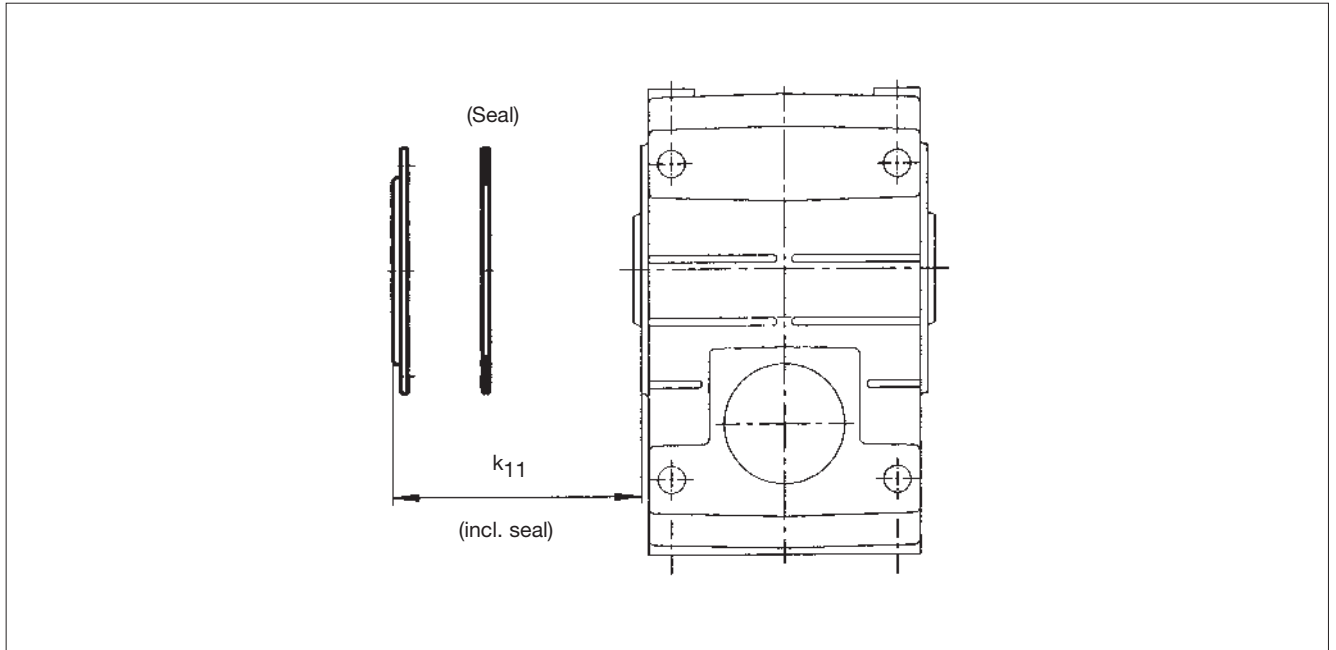
* Ensure sufficient strength of shaft material for shrink disc designs. When using customary steel (e.g. C45, 42CrMo4), the torques indicated in the selection tables can be transferred without any reservation. When using materials of a lower strength, please contact Lenze.

The average peak-to-valley height R_z should not exceed 15 μm . (Turning operation is sufficient).

Dimensions in [mm]

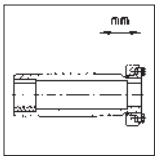


Hollow shaft protection cover – jet-proof



Gearbox size	Protection cover k ₁₁
GSS 04	9
GSS 05	10
GSS 06	11
GSS 07	11

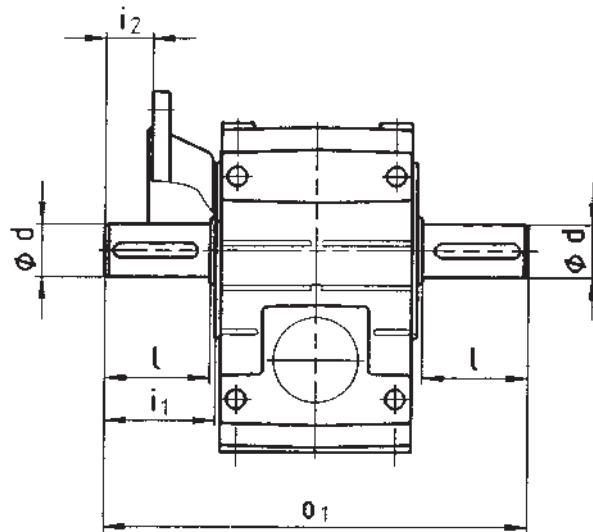
Dimensions in [mm]



Compact units

Additional dimensions GSS □ □

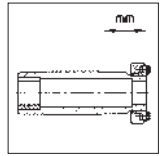
Gearboxes with 2nd output shaft end



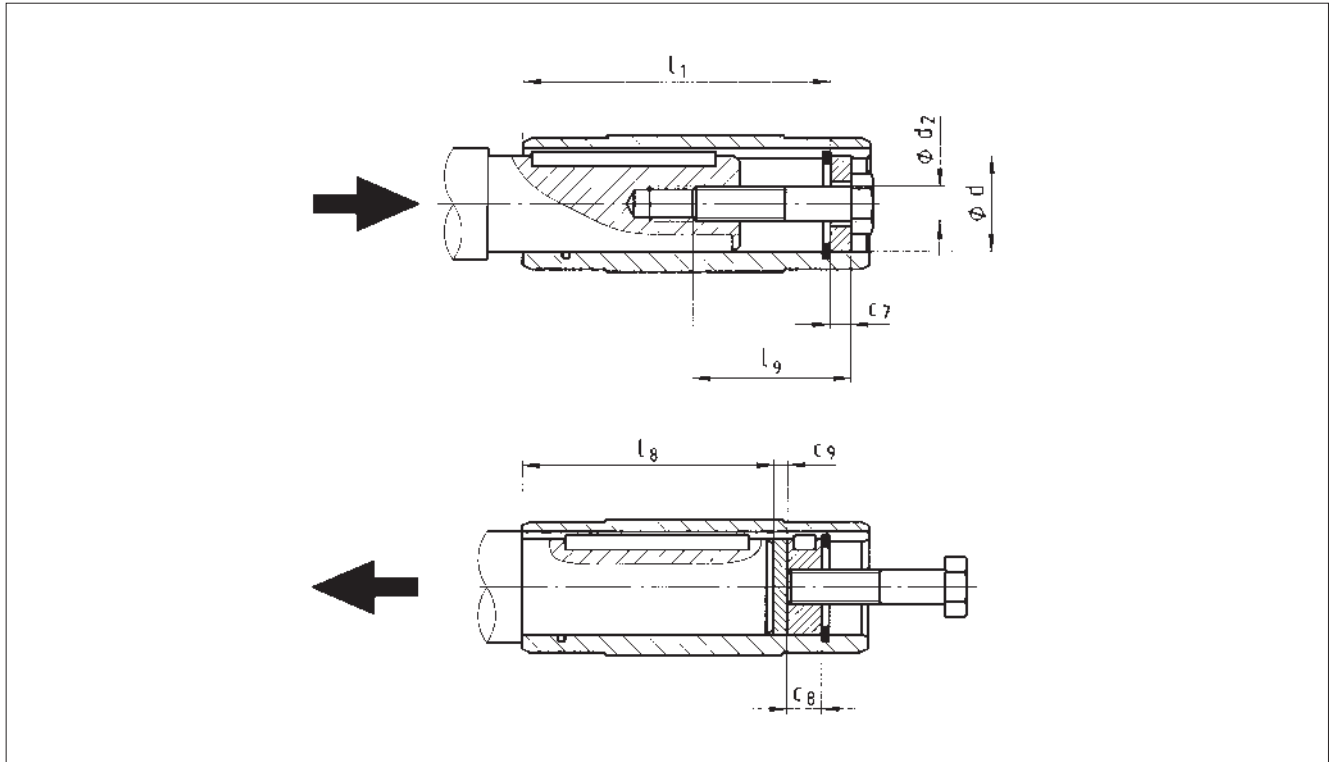
Gearbox size	d	l	i ₁	i ₂	o ₁
GSS 04	25	50	52.5	17	215
GSS 05	30	60	64	27	260
GSS 06	40	80	85	39	320
GSS 07	50	100	105	45	400

5

Dimensions in [mm]

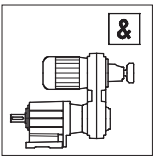


Mounting kit – hollow shaft retention · Design proposal for auxiliary tools



Gearbox size	Hollow shaft (design H)			Mounting kit – hollow shaft retention (Auxiliary tool – mounting)			Auxiliary tool Disassembly		Machine shaft max l_s
	l	l ₁	d H7	d ₂	l ₉	c ₇	c ₈	c ₉	
GSS 04	115	100	25 30	M10 M10	40	5 6	10	3	85
GSS 05	140	124	30 35	M10 M12	40 50	6 7	10 12	3	107
GSS 06	160	140	40 45	M16	60	8 9	16	4	118
GSS 07	200	175	50 55	M16 M20	60 80	10 11	16 20	5	148

Dimensions in [mm]

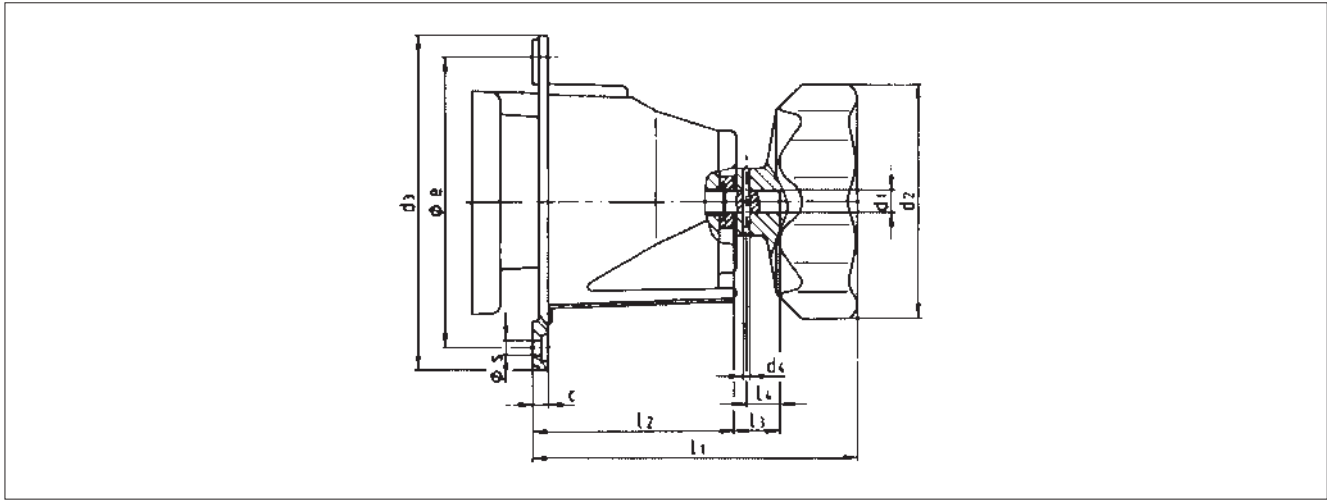


Compact units

Additional dimensions – attachments

Speed adjustment units

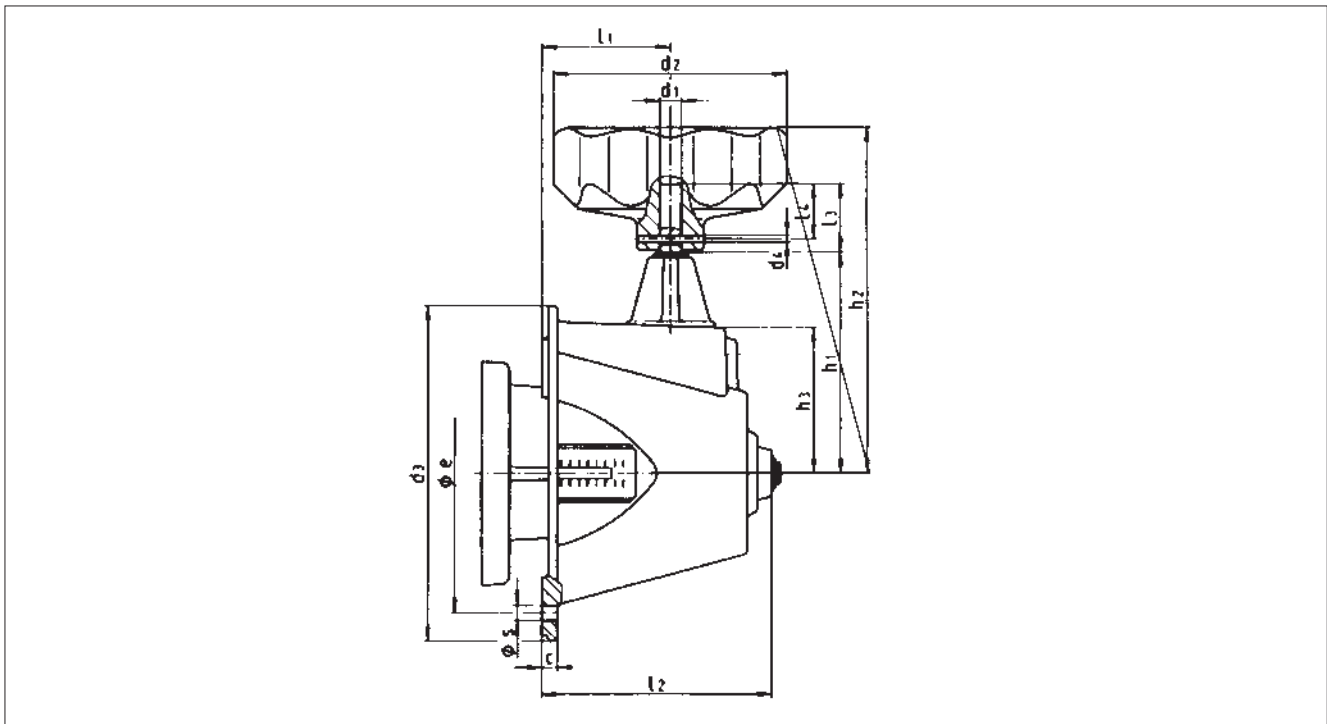
Front adjustment (standard)



For compact unit size	c	d ₁	d ₂	d ₃	d ₄	e	l ₁	l ₂	l ₃	l ₄	s 4x90°	m [kg]
10	5	8	70	104	3	85	100	58	13	9	5.6	0.3
13/14	6	8	70	149	3	130	108	65	13	9	6.6	0.5
16/20/21	7	10	105	150	3	130	147	92	20	15	6.6	0.9
25/26/31	10	15	160	240	4	215	184	128	22	14	11	3.7
40	10	20	200	440	6	420	320	275	24	14	11 6x60°	12

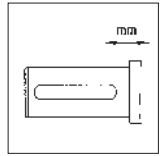
Angle adjustment (optionally)

5



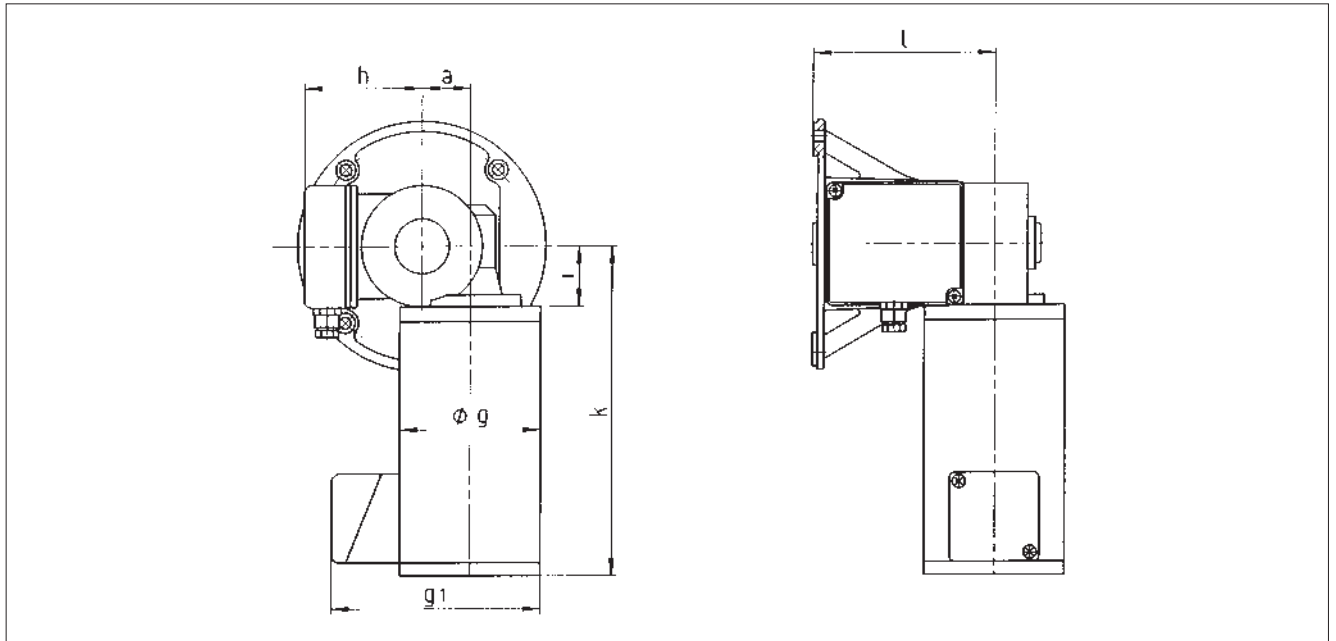
For compact unit size	c	d ₁	d ₂	d ₃	d ₄	e	h ₁	h ₂	h ₃	l ₁	l ₂	l ₃	l ₄	s 4x90°	m [kg]
10	5	8	70	104	3	85	43	87	–	88	105	15	9	5.6	0.5
13/14	6	8	70	149	3	130	60	104	42	56	87	15	9	6.6	0.6
16/20/21	7	10	105	150	3	130	99	155	65	58	103	20	14	6.6	1.4
25/26/31	10	10	105	240	3	215	123	179	90	88	138	20	14	11	4

Dimensions in [mm]



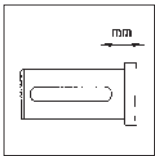
Speed adjustment units

Electrical remote control (optionally)



For compact unit size	Electrical remote control							Weight m [kg]
	a	g	g ₁	h	i	k	l	
10	25	65	123	54	31	165	81	2.5
13/14	25	65	123	60	31	165	82	3.0
16 20/21	31	85	144	71	37	199	111	5.5
25/26 31	35	85	144	95	41	203	148	8
40	40	118	164	120	48	230	294	17

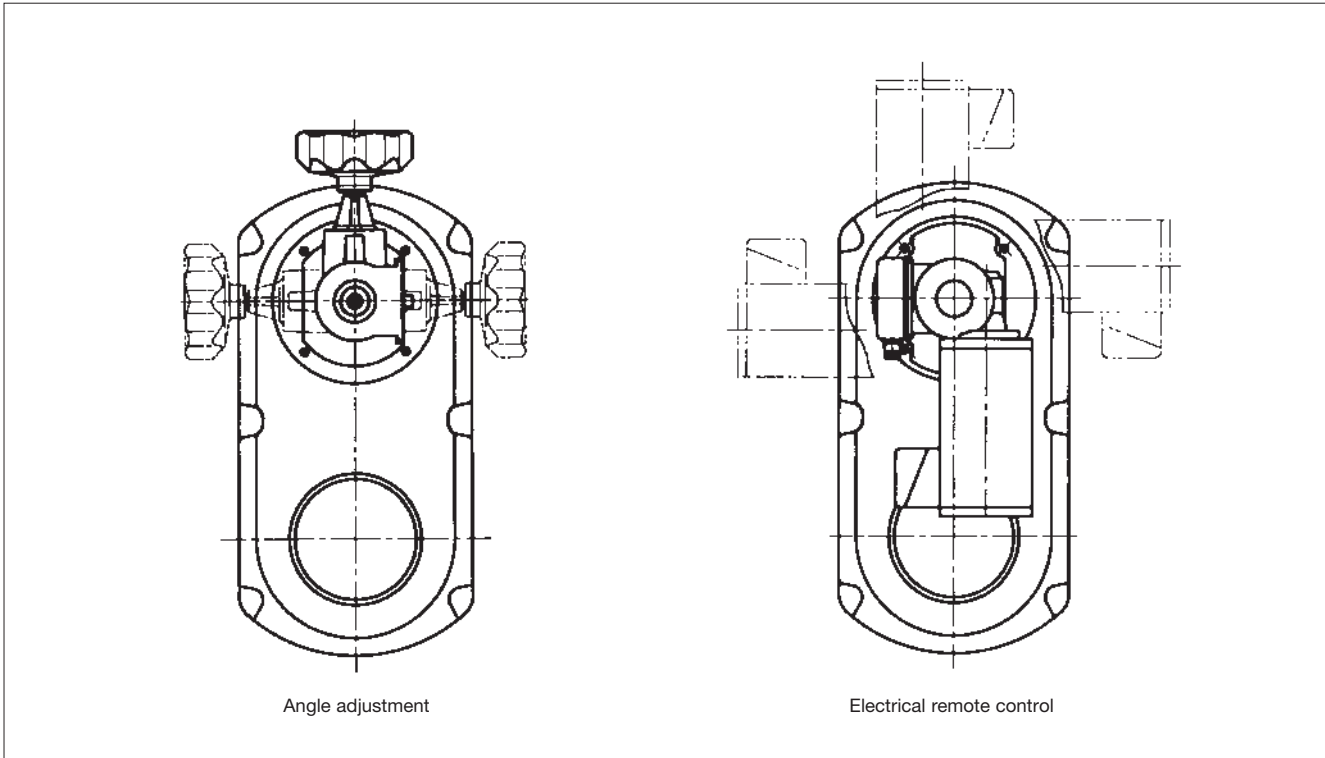
Dimensions in [mm]



Compact units

Additional dimensions – attachments

Speed adjustment units

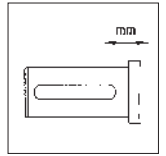


Angle adjustment

Swivel position Variable speed belt drive	Permissible positions – adjustment unit	
	for motor position 1 (Z type)	for motor position 6 (U type)
2	2-3-5	
3	2-3-4	
4	3-4-5	
5	2-4-5	

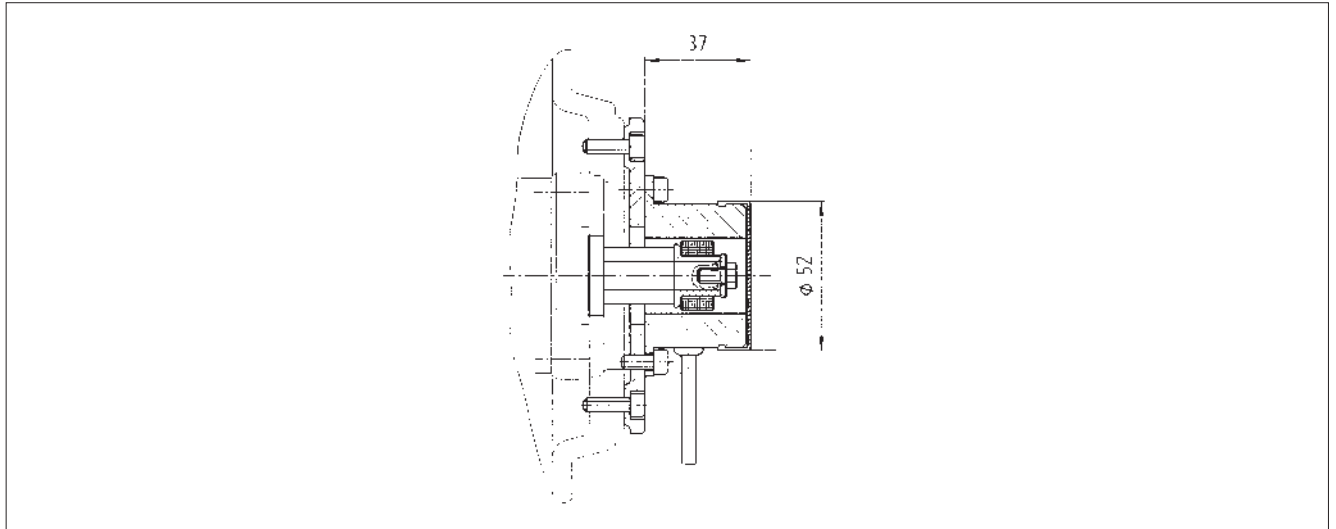
Electrical remote control

Swivel position Variable speed belt drive	Permissible positions – adjustment unit	
	for motor position 1 (Z type)	for motor position 6 (U type)
2	2-3-5	2-3-4-5
3	2-3-4	
4	3-4-5	
5	2-4-5	

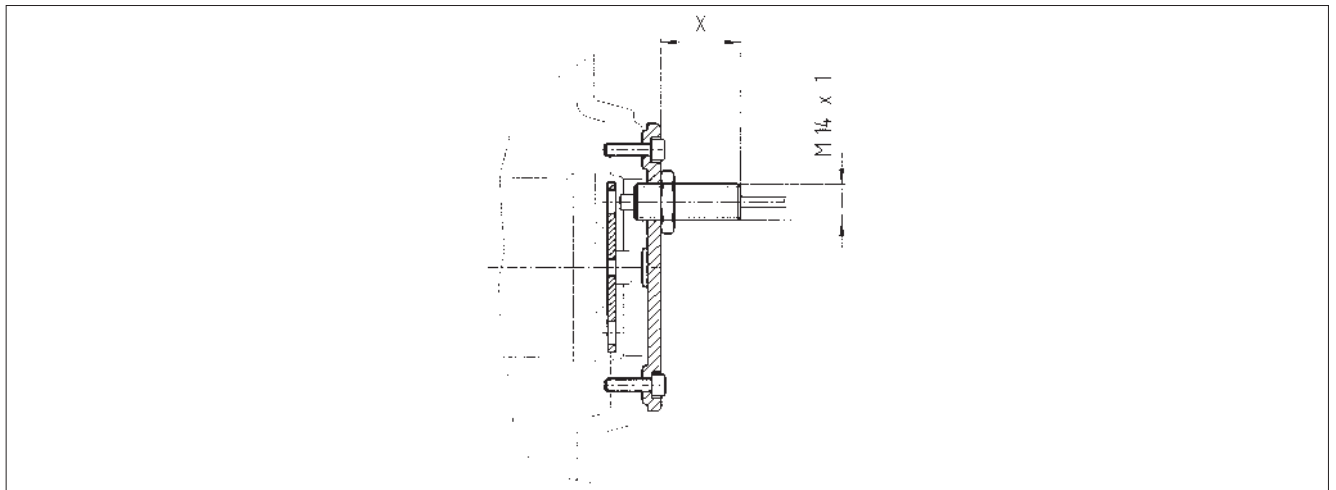


Speed adjustment units

DC speed encoder

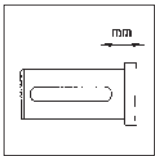


Pulse encoder



Compact unit size	Pulse encoder x
10	approx 34
13/14	approx 32
16	approx 33
20/21 25/26 31	approx 19
40	approx 22

Dimensions in [mm]

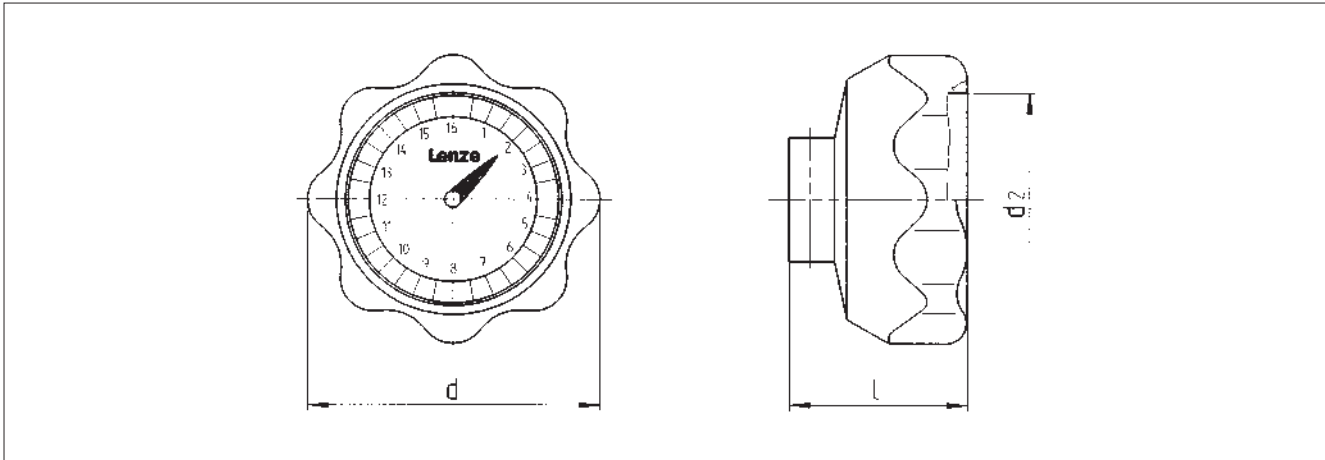


Compact units

Additional dimensions – attachments

Speed measuring units

Handwheel with position indicator



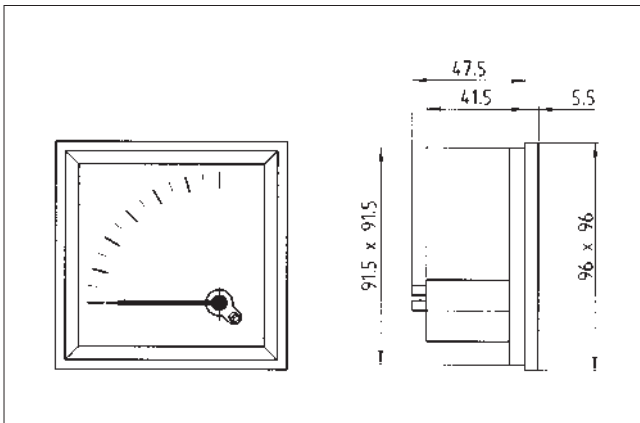
Front adjustment	Angle adjustment	Handwheel with position indicator*		
for compact unit size		d	d ₂	l
10 13/14	10 13/14	70	52	43
16 20/21	16 20/21 25/26 31	105	87	55
25/26 31	–	160	87	55
40	–	200	87	75

Dimensions in [mm]

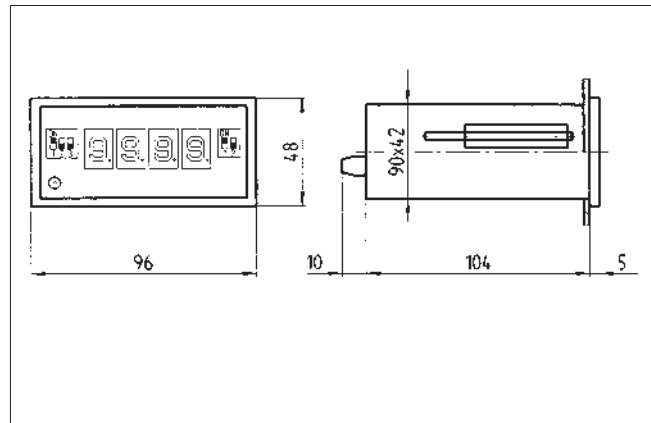
Display only with horizontal design ± 45°!

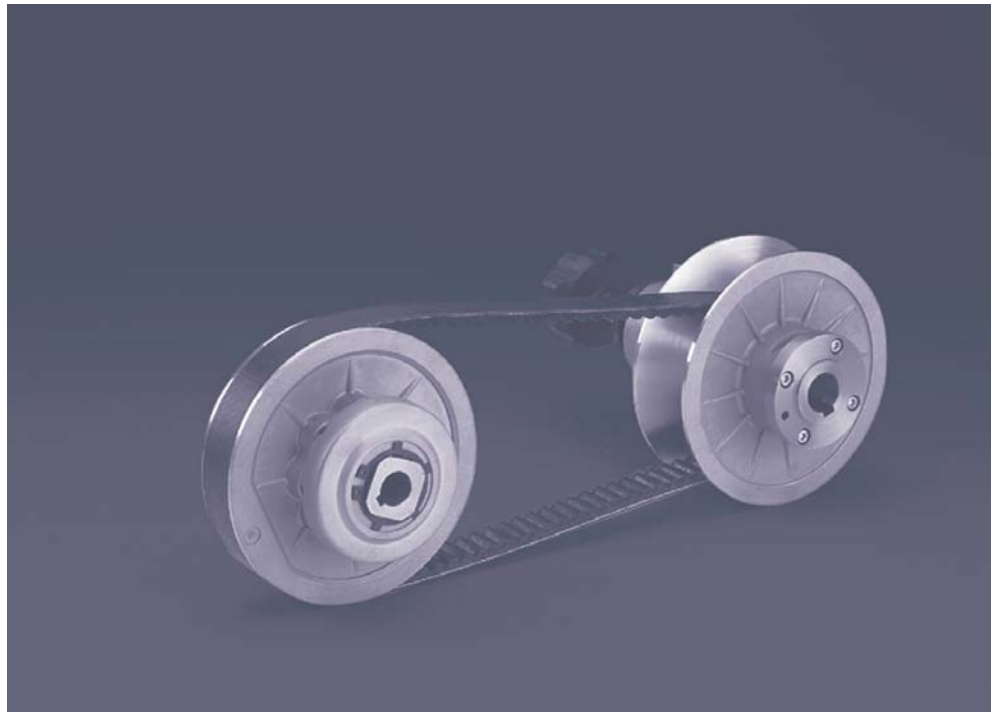
5

Analog display



Digital display





Variable speed pulleys

General information

Product key	6-2
Product information	6-3
General data	6-5

Variable speed drive type 11.101/104

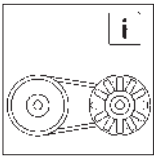
Type 11.101	
Selection tables	6-6
Dimensions	6-7
Axis distances	6-8

Type 11.104	
Selection tables	6-11
Dimensions	6-12
Axis distances	6-13
Inner lengths of variable speed belt pulleys	6-13

Calculation of axis distance	6-15
Motor slide	6-16
Driven pulleys	6-18

Variable speed pulleys type 11.213/218

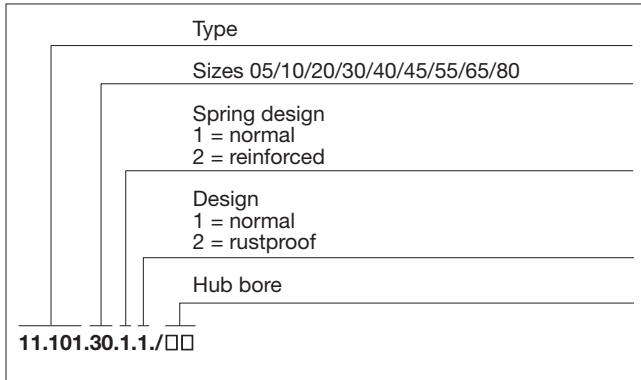
Type 11.213/218	
Selection	6-21
Selection tables	6-22
Technical data	6-23
Central adjustments	6-30



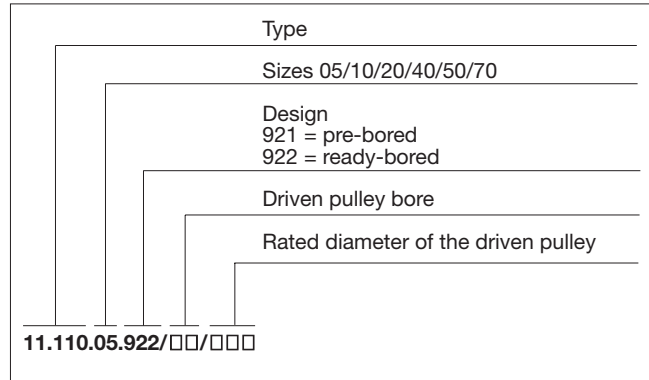
Variable speed pulleys

Product key

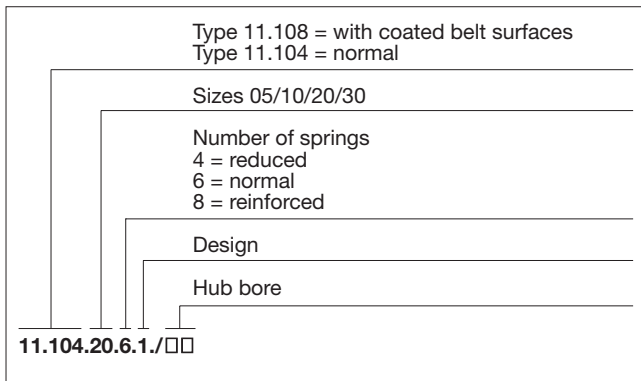
Variable speed pulleys 11.101



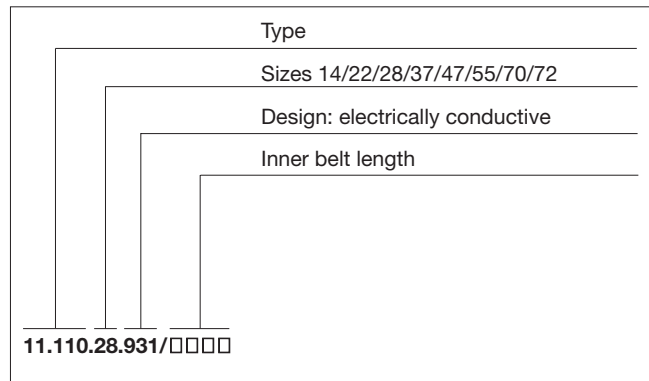
Driven pulleys



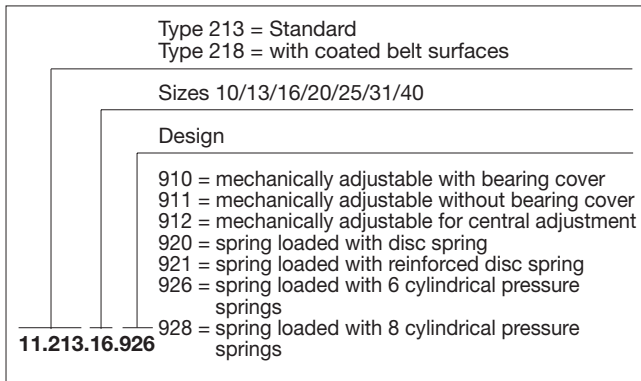
Variable speed pulleys 11.104



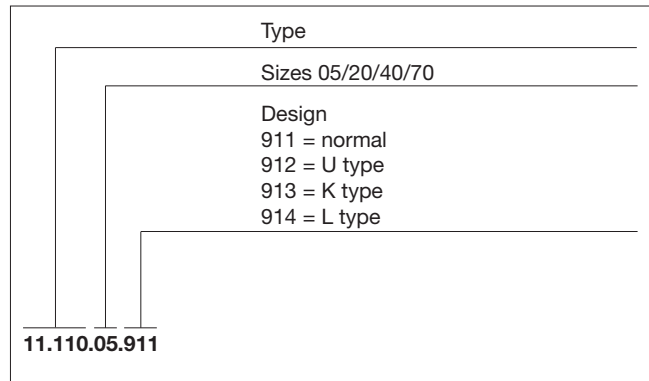
Variable speed belt



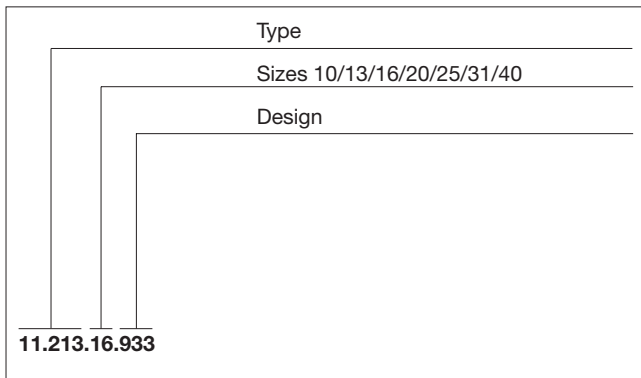
Variable speed pulleys 11.213

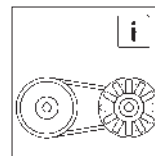


Motor slide



Central adjustment





Description

Spring-loaded variable speed pulleys types 11.101 and 11.104 are usually mounted onto the input side of the motor shaft end; the driven pulley is mounted onto the driven shaft. The output speed is determined by the diameter of the driven pulleys. Often additional gearboxes are not necessary.

Speed adjustment

The motor with the variable speed pulley is, for instance, mounted onto an adjustable slide. The variable speed belt is pushed into or pulled out of the spring-loaded variable speed pulley by changing the axis distance between the two shafts. Thus, the effective running diameter of the belt in the variable speed pulley and the speed of the driven pulley are changed. Motor slide, motor rocker and belt tighteners enable adjustment. Fine tuning of the speed is always possible by using a threaded spindle. The output speed range of SIMPLABELT variable speed drives (1 : 3) depends on the effective diameter of the driven pulley. The output speeds possible are indicated on pages 8 and 13. The power to be transmitted of the different pulley sizes at different motor speeds are also indicated on these pages.

For shock loaded operation a higher safety factor must be provided. The use of a larger variable speed pulley can be necessary. In case of doubt, please contact Lenze.

SIMPLABELT has been the name for variable speed belt drives for years and it is well established in national and international engineering.

Well-known machine and system manufacturers have used SIMPLABELT variable speed drives successfully for many years, even under difficult operating conditions.

Simplabelt variable speed pulleys type 11.101

Power range: 0.37–18.5 kW at $n_1=1500 \text{ min}^{-1}$

Thanks to their design – cast iron disc pulleys on both ends – and their high rotating mass, the variable speed pulleys type 11.101 provide good damping features which are advantageous for the use with changing loads, for instance for clock-pulse operating machines.

We recommend to use variable speed pulleys, if harsh operating conditions and exposure to humidity or dust are to be expected.

The pretension required for power transmission is generated by the disc springs which are located on both sides of the disc pulleys.

The forces resulting from the torque transmission are taken up by a well dimensioned serration. By this, the surface pressure is far below the permissible limit and thus the service life is very long.

Variable speed pulleys must be re-lubricated depending on their application.

Simplabelt variable speed pulleys type 11.104

Power range: 0.37–3kW at $n_1=1500 \text{ min}^{-1}$

With this type, the disc pulleys are made of a light-metal alloy especially developed for pulleys. Their main characteristic is a low moment of inertia.

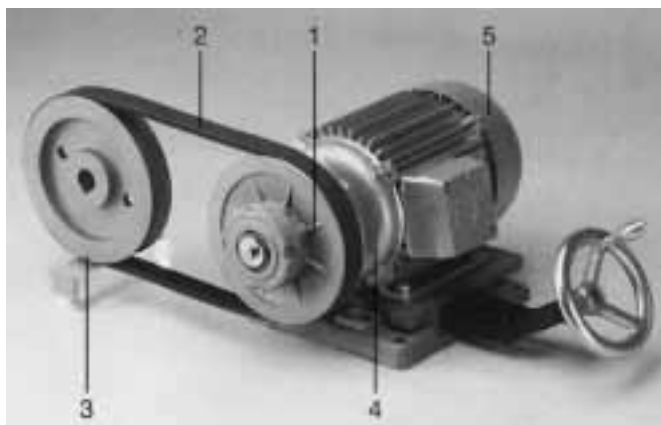
We also offer the economical type 11.104 for operating conditions where a low moment of inertia is favourable because of high switching frequencies or reversing operation.

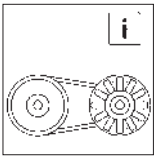
The pretension required for the power transmission is here generated by cylindrical pressure springs which are located rotation-symmetrically on both sides of the disc pulleys.

The variable speed pulleys are life lubricated and do not require further maintenance.

SIMPLABELT variable speed drives, design 1:3

SIMPLABELT variable speed drives, design 1:3 consist of a spring-loaded pulley (1), a variable speed belt with an especially bendable inner toothing (2), driven pulley (3), motor slide (4) and a three-phase AC motor to IEC standards (5).





Variable speed pulleys

Product information

Simplabelt variable speed pulleys type 11.213/218

Operation principle

The main part of variable speed pulleys type 11.213/218 is the slide fit. The coated hub as four-side polygon profile combined with disc pulleys made of aluminium cast iron is well established in mechanical engineering

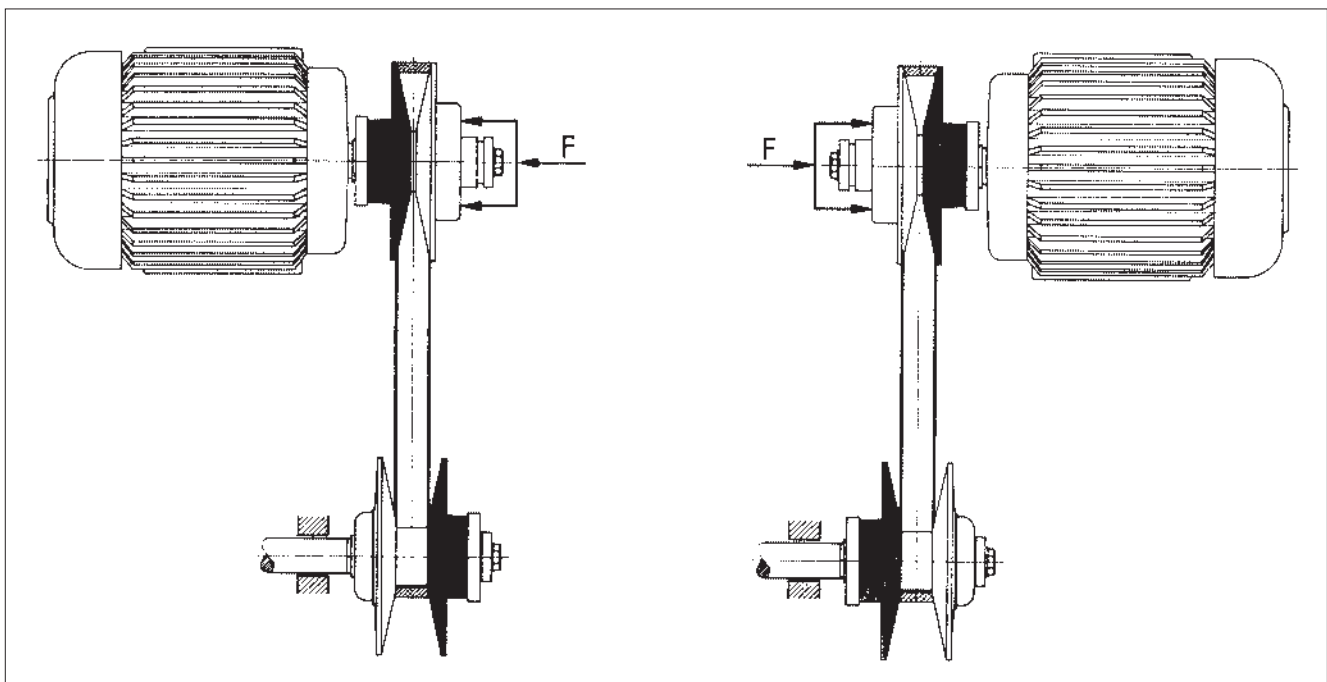
Advantages:

- large torque transmission surfaces, i.e. low surface pressure
- self-centering because of symmetrical backlash compensation, i.e. no toppling of disc pulleys

- even profile edges, i.e. very quiet running
- absolutely maintenance free
- long service life

The pretension required for power transmission is generated by screw springs which are located rotation-symmetrically and can be varied by changing the number of springs. All components are made of corrosion-resistant material and enable application even under difficult environmental conditions.

A version with hard-coated belt surfaces is available for application under unfavourable conditions.



6 U type

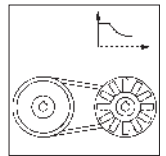
The mechanically adjustable variable speed pulley is mounted onto the driving shaft (motor shaft), the spring-loaded variable speed pulley is mounted onto the shaft to be driven. If the mounting is changed, the performance data of the drive will change. If so, please contact Lenze. All variable speed

Z type

pulleys can be mounted as U or Z type (except size 40). Please observe that the fixed disc pulleys (dark in the figure) must be mounted diagonally. Thus, the belts are aligned in any position. Simplabelt variable speed pulleys can be mounted independently of the mounting position.

Variable speed pulleys

General data



Possible combinations	Variable speed pulley		
	11.101	11.104	11.213/218
Driven pulley 11.110.□□.92□	•	•	
Variable speed belt 11.110.□□.931	•	•	•
Adjustment units			
Motor slide 11.110.□□.91□	•	•	
Central adjustment 11.213.□□.93□			•

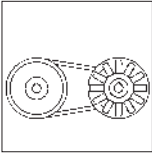
Variable speed pulley	11.101	11.104	11.213/218
Power range at n1=1500 min-1	0.37-18.5 kW	0.37-3 kW	0.25-45 kW
Speed adjustment	by changing the axis distance		with constant axis distance
Corrosion protection	Option	Standard	Standard
Material f	Disc pulleys	Cast iron	Aluminium
	Hub	C45K	C45K
Tolerances	Bore	Standard: H7 with keyway to DIN	
	Machine shaft required	k6	
Features	High rotational mass damping	Low moment of inertia	
Suitable for	Clock-type operation Shock loaded/rough operation Humidity/dust	High operating frequency (reversing operation)	Clock-pulse operation Shock loaded/rough operation Humidity/dust
Torque transmission	Serration	Polygon	Polygon
Belt pretension by	Disc spring Location: on both sides	Pressure springs Location: on both sides	Pressure or disc springs Location: on one side
Maintenance	Re-lubrication required	Maintenance free	Maintenance free
Ambient temperature	-20 to +40°		
Mechanical efficiency	$0.79 \leq \eta \leq 0.85$		

Variable speed pulley	11.110.□□.931
Design	Sandwich design
Material	Compound: electrically conductive to ISO 1813

Driven pulley	11.110.□□.92□
Material	Cast iron

Motor slide	11.110.□□.91□	
Material	Housing	Cast iron
	Spindle	9S20K

Central adjustment	11.110.□□.93□	
Material	Housing	Cast iron / aluminium / plastic depending on the size
	Spindle	C45



Variable speed pulleys

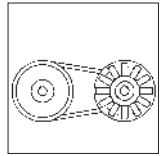
Type 11.101

Selection tables

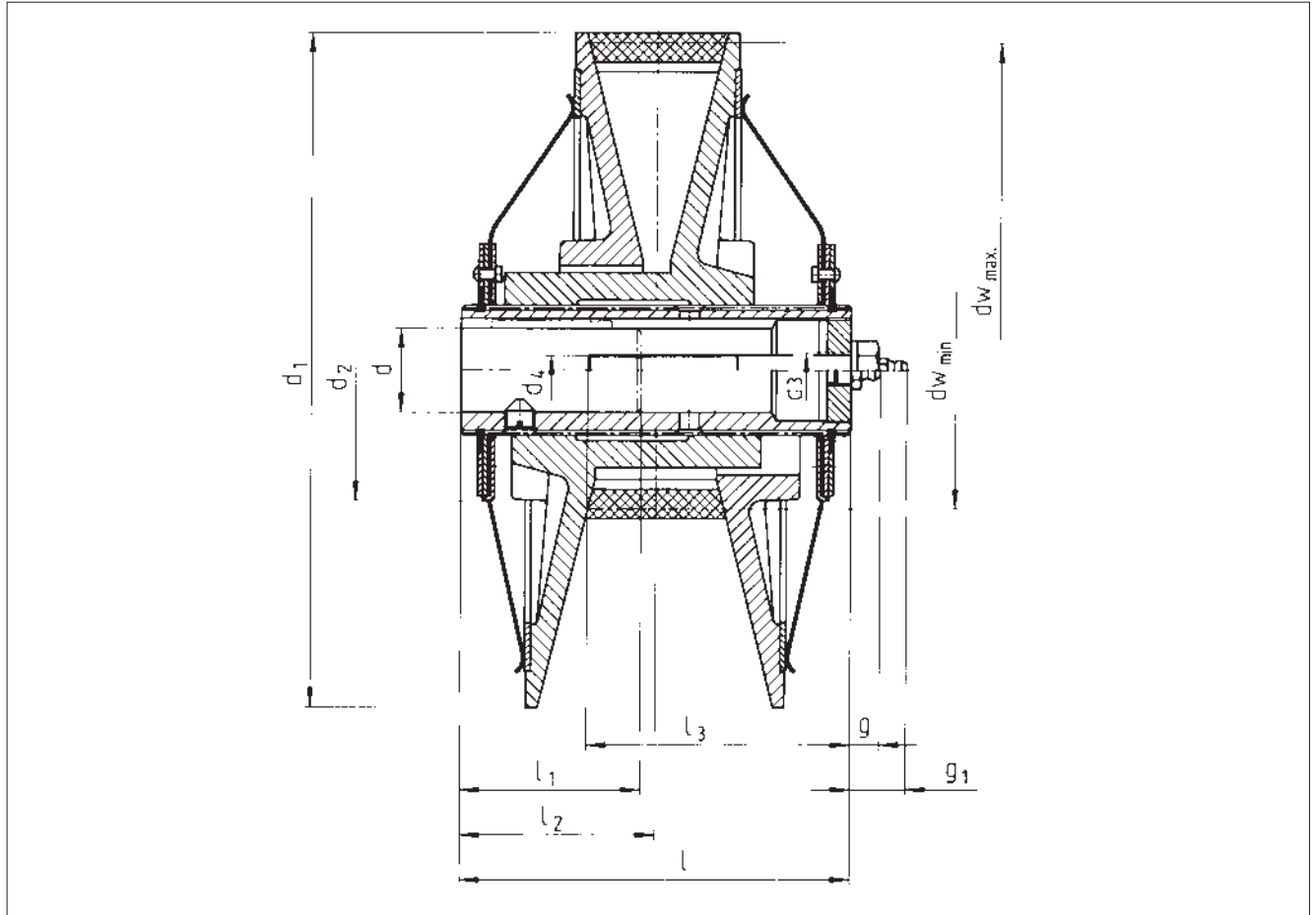
Type	Motor speed [min ⁻¹]	Power [kw]	Inner counter pulley diameter [mm]									
			80	90	100	112	125	140	160	170	180	200
11.100.05	2720	0.55	3758-1295	3358-1158	3035-1048	2790-948	2444-844	2190-756	1925-664		1715-592	1546-533
	1380	0.37	1960-657	1704-587	1540-531	1380-476	1241-428	1111-383	975-337		870-300	784-271
	910	0.25	1258-434	1122-387	1014-350	910-314	819-282	733-253	644-222		574-198	517-177
	680	0.18	939-324	839-289	759-261	680-234	611-211	548-189	481-166		429-148	387-133
11.101.10	2820	1.1	5355-2320		4330-1878	3865-1682	3495-1514	3133-1358	2752-1191		2455-1062	2213-958
	1400	0.75	2658-1151		2148-931	1928-835	1735-751	1555-673	1367-591		1218-527	1098-476
	910	0.55	1730-750		1400-606	1254-544	1129-489	1011-438	889-385		792-343	714-309
	675	0.37	1282-555		1038-450	930-403	836-362	750-325	659-285		588-254	530-229
11.101.20	2800	2.2					3880-1681	3475-1508	3055-1324	2880-1249	2723-1181	2459-1065
	1410	1.5					1951-846	1750-759	1538-667	1450-629	1371-595	1238-537
	920	1.1					1274-552	1142-455	1004-435	947-410	894-388	808-350
	710	0.75					984-426	882-382	775-336	730-316	692-300	624-270
11.101.30	2830	3						4220-1788	3720-1572		3320-1403	2992-1267
	1425	2.2						2123-900	1873-792		1671-707	1509-638
	930	1.5						1389-587	1221-516		1091-461	948-416
	700	1.1						1044-442	919-389		821-347	740-314
11.101.40	1425	3						2561-1027	2254-903		2013-806	1850-728
	940	2.2						1691-676	1488-595		1328-531	1198-480
	690	1.5						1241-497	1092-437		975-390	880-352
11.101.45	1430	4						2570-1030	2260-906		2019-809	1821-730
	960	3						1727-691	1519-608		1355-543	1223-490
	700	2.2						1259-504	1108-443		989-396	893-357
11.101.55	1400	5.5										2093-838
	960	4										1395-559
	700	3										1017-407

Type	Motor speed [min ⁻¹]	Power [kw]	Inner counter pulley diameter [mm]									
			80	224	250	280	315	355	400	450	500	560
11.100.05	2720	0.55		1383-477	1242-428	1110-383	989-341					
	1380	0.37		702-242	630-217	564-194	502-173					
	910	0.25		463-160	415-143	372-128	331-114					
	680	0.18		346-119	311-107	278-96	247-85					
11.101.10	2820	1.1		1980-858	1778-770	1418-688	1418-614	1260-545				
	1400	0.75		980-425	882-382	789-342	703-305	625-271				
	910	0.55		639-277	573-248	513-222	458-198	406-176				
	675	0.37		474-205	426-184	381-165	339-147	302-130				
11.101.20	2800	2.2		2200-954	1977-857	1768-766	1575-683	1400-607	1245-540	1108-480		
	1410	1.5		1108-480	994-431	890-396	793-344	705-306	626-272	557-242		
	920	1.1		724-314	650-282	581-252	518-224	460-199	409-177	364-158		
	710	0.75		558-242	504-217	449-194	400-173	355-154	316-137	281-122		
11.101.30	2830	3	2882-1220	2681-1135	2410-1020	2159-913	1926-815	1711-724	1520-644	1354-573	1220-516	
	1425	2.2	1451-615	1350-571	1213-514	1088-460	970-411	865-365	766-324	681-289	614-260	
	930	1.5	948-401	882-373	792-335	710-300	633-268	563-328	500-212	445-188	401-170	
	700	1.1	713-302	664-281	596-252	534-226	476-201	424-179	376-159	335-142	302-128	
11.101.40	1425	3	1748-700	1625-651	1461-586	1309-525	1168-468	1039-416	922-369	820-329	740-296	
	940	2.2	1153-462	1073-430	965-386	863-346	770-308	685-274	608-244	542-217	488-195	
	690	1.5	847-339	788-316	709-284	634-254	566-226	503-202	447-179	398-159	359-144	
11.101.45	1430	4	1752-703	1632-654	1467-588	1313-526	1171-469	1042-417	925-371	824-330	742-297	
	960	3	1179-472	1097-439	985-395	892-354	786-315	700-280	621-249	553-222	498-200	
	700	2.2	859-344	800-320	718-288	643-258	574-230	510-204	453-181	404-162	364-146	
11.101.55	1440	5.5		1875-751	1686-675	1510-605	1348-539	1199-480	1067-427	950-380	856-343	765-307
	960	4		1250-501	1124-450	1007-403	893-360	799-320	710-285	633-254	571-229	510-205
	700	3		911-365	820-328	735-294	655-262	583-233	519-208	462-185	416-167	373-149
11.101.65	1450	11				1740-714	1550-637	1378-567	1225-504	1093-449	983-406	881-362
	960	7.5				1148-474	1025-423	912-376	812-335	723-298	653-269	583-241
	710	5.5				846-351	754-313	672-279	598-248	532-221	480-199	430-178
11.101.80	1455	18.5				1806-812	1610-725	1435-644	1275-575	1138-512	1025-462	917-412
	960	12.5				1200-540	1068-482	950-429	846-381	754-340	680-306	608-275
	720	9				895-403	797-360	709-320	630-285	562-253	507-228	454-205

Type	Motor speed [min ⁻¹]	Power [kw]	Inner counter pulley diameter [mm]		
			630	710	800
11.101.65	1450	11	785-323	698-287	621-255
	960	7.5	519-215	462-190	411-169
	710	5.5	383-158	340-141	303-125
11.101.80	1455	18.5	817-367	725-326	645-291
	960	12.5	540-244	481-21	428-193
	720	9	405-182	359-162	319-144



Dimensions



Type	Belt size	d ^{H7/2}		dw		d ₁	d ₂	d ₃	Clamping screws ⁴⁾		g	g ₁	l	l ₁ min	l ₂	J [kgm ²]	m [kg]
		min.	Standard	min.	max.				Bore	d ₄ x l ₃							
11.100.05.1.1 ¹⁾	22	8	14 ³⁾	40	116	120	44	M10	d<14	M 6x 50	10.5	16.5	72	30	36	0.00044	1.0
11.101.10.1.1	28	14	19	69.5	160.5	165	66	M12	d<15 d>15	M 6x 75 M 6x 70	10.5	16.5	94	35	47	0.00482	2.5
11.101.20.1.1	37	16	24	78	180	185	78	M12	d<19 d>19	M 6x 85 M 8x 75	10.5	18	110	40	55	0.0098	3.5
11.101.30.1.1	47	18	28	92.5	218.5	225	87	M12	d<19 d>19≤24 d>24	M 6x105 M 8x100 M10x 95	10.5	18	130	50	65	0.0313	6
11.101.40.1.1 11.101.45.1.1	47	20	28	105.5	263.5	270	103 96	M16	d>19≤24 d>24	M 8x115 M10x110	-	19.5	148	60	74	0.0875	11
11.101.55.1.1	55	25	38	121	302	310	130	M16 M20	d<28 d>28≤38 d>38	M10x145 M12x130 M16x105	-	19.5 21.5	180	75	90	0.16	19
11.101.65.1.1	70	32	38/42	142	351	360	130	M16 M20	d<38 d>38	M12x130 M16x105	-	19.5	196	80	98	0.287	25.5
11.101.80.1.1	70	38	42/48	162	366	375	130	M16 M20	d<38 d>38	M12x150 M16x120	-	21.5	200	80	98	0.353	33

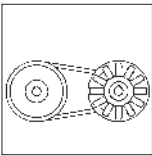
¹⁾ Does not correspond to the figure

²⁾ Keyway to DIN 6885 part 1

³⁾ Keyway to DIN 6885 part 3

⁴⁾ Up to size 30 either with clamping screws or threaded pin

Dimensions in [mm]



Variable speed pulleys

Type 11.101

Distance between axes

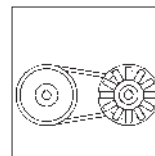
Type 11.100.05.1.1

Driven pulleys		Rated diameter													
		80	90	100	112	125	140	160	180	200	224	250	280	315	
		Smallest axis distance													
Variable speed belt size 22	Inner belt length	610	166	159	151	142									
		650	186	179	171	162	151								
		675	199	191	184	174	164	152							
		700	211	204	196	187	176	164							
		750	236	229	221	212	201	189	173						
		800	261	254	246	237	226	214	198	181					
		850	286	279	271	262	252	241	223	206	188				
		900	311	304	296	287	276	264	248	231	214	192			
		950	336	329	321	312	302	289	273	256	239	218	194		
		1000	361	354	346	337	327	314	298	281	264	243	219		
		1060	391	384	376	367	357	344	328	311	294	273	250	222	
		1120	421	414	406	397	387	374	358	341	324	303	280	253	
		1180	451	444	436	427	417	404	388	371	355	334	311	283	251
		1250	487	479	471	462	452	439	423	407	390	369	346	319	286
		1320	521	514	506	497	487	475	458	442	425	404	381	355	322
1400	562	554	546	537	527	515	498	482	465	445	422	395	363		
1500	612	604	596	587	577	565	548	532	515	495	472	446	414		
1600	662	654	646	637	627	615	598	582	565	545	523	496	465		
Adjustment path		44	44	43	43	42	41	41	40	40	39	38	37	36	

Type 11.101.10.1.1

Driven pulleys		Rated diameter													
		80	100	112	125	140	160	180	200	224	250	280	315	355	
		Smallest axis distance													
Variable speed belt size 28	Inner belt length	650	150	136											
		700	175	161	153										
		750	200	186	178	168									
		800	226	211	203	193	182								
		850	251	237	228	218	207	191	175						
		900	276	262	253	243	232	216	200						
		950	301	287	278	268	257	241	225	209					
		1000	326	312	303	293	282	266	250	234	214				
		1060	356	342	333	323	312	296	280	264	244	222			
		1120	386	372	363	353	342	326	310	294	274	252	225		
		1180	417	402	393	383	372	356	340	324	304	282	256		
		1250	452	437	428	418	407	391	375	359	339	317	291	260	
		1320	487	472	463	453	442	426	410	394	374	352	326	295	
		1400	527	512	503	493	482	466	450	434	414	392	367	336	299
		1500	577	562	553	543	532	516	500	484	464	443	417	386	350
1600	627	612	603	593	582	566	550	534	515	493	467	437	401		
Adjustment path		73	72	72	71	70	69	68	67	65	64	62	60	58	

Values in [mm]



Distance between axes

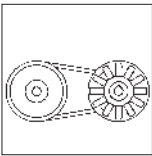
Type 11.101.20.1.1

Driven pulleys		Rated diameter												
		125	140	160	170	180	200	224	250	280	315	355	400	450
		Smallest axis distance												
Variable speed belt size 22	Inner belt length	800	179											
		850	204	193										
		900	229	218	203	195								
		950	254	243	228	220	212							
		1000	279	268	253	245	237	221						
		1060	309	298	283	275	267	251	232					
		1120	339	328	313	305	297	281	262	240				
		1180	369	358	343	335	327	311	292	270	244			
		1250	404	393	378	370	362	346	327	306	279			
		1320	439	428	413	405	397	381	362	340	315	284		
		1400	479	468	453	445	437	421	402	380	355	324	289	
		1500	529	518	503	495	487	471	452	430	405	375	339	
1600	580	568	553	545	537	521	502	480	455	425	390	349		
1700	630	618	603	595	587	571	552	531	505	476	441	400	354	
1800	680	668	653	645	637	621	602	581	556	526	491	451	405	
Adjustment path		80	79	78	78	77	76	75	73	71	69	67	65	62

Type 11.101.30.1.1

Driven pulleys		Rated diameter												
		140	160	180	200	208	224	250	280	315	355	400	450	500
		Smallest axis distance												
Variable speed belt size 28	Inner belt length	950	217	202										
		1000	242	227	212									
		1060	272	257	242	227								
		1120	302	287	272	257	251							
		1180	332	317	302	287	281	268	247					
		1250	367	352	337	322	316	303	282					
		1320	402	388	372	357	351	338	317	293				
		1400	442	428	412	397	391	378	357	333	303			
		1500	493	478	462	447	441	428	407	383	353	319		
		1600	543	528	513	497	491	478	457	433	404	369	329	
		1700	593	578	563	547	541	528	507	483	454	420	380	
		1800	643	628	613	597	591	578	557	533	504	470	431	386
2000	743	728	713	697	691	678	658	633	604	570	532	487	441	
2240	863	848	833	817	811	798	778	753	725	691	652	609	564	
Adjustment path		99	98	97	96	96	95	93	92	89	88	86	82	79

Values in [mm]



Variable speed pulleys

Type 11.101

Distance between axes

Type 11.101.40/45.1.1

Driven pulleys		Rated diameter												
		140	160	180	200	208	224	250	280	315	355	400	450	500
		Smallest axis distance												
Variable speed belt size 47	Inner belt length	1120	263	249										
		1180	293	279	265									
		1250	329	315	300	286	280	268						
		1320	364	350	335	321	315	303	283					
		1400	404	390	375	361	355	343	323	299				
		1500	455	440	426	411	405	393	373	349	320			
		1600	505	490	476	461	455	443	423	399	370	337		
		1700	555	541	526	511	505	493	473	449	421	387	349	
		1800	605	591	576	561	555	543	523	499	471	438	399	
		2000	706	691	676	661	655	643	623	599	571	538	500	457
	2240	826	811	796	781	775	763	743	719	691	658	620	577	533
Adjustment path		127	125	124	123	122	121	119	117	114	112	109	106	102

Type 11.101.55.1.1

Driven pulleys		Rated diameter									
		200	224	250	280	315	355	400	450	500	560
		Smallest axis distance									
Variable speed belt size 55	Inner belt length	1250	259								
		1320	294	277							
		1400	334	317	298						
		1500	385	367	348	325					
		1600	435	417	398	375	347				
		1700	485	467	448	425	397	365			
		1800	535	517	498	475	447	415	377		
		2000	635	617	598	575	547	515	478	435	
		2240	754	738	718	695	667	635	598	556	513
Adjustment path		144	140	138	136	133	130	127	123	119	114

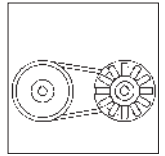
Type 11.101.65.1.1

Driven pulleys		Rated diameter										
		280	315	355	400	450	500	560	630	7100	800	
		Smallest axis distance										
Variable speed belt size 70	Inner belt length	1700	389	362								
		1800	439	412	381							
		2000	539	512	481	445						
		2240	659	632	601	565	524	482				
		2500	789	762	731	695	654	613	561			
		2800	939	913	881	845	805	763	712	651	579	
		3150	1115	1088	1056	1020	980	939	888	828	757	675
		3210	1145	1118	1086	1050	1010	969	918	858	787	705
		3520	1300	1273	1241	1205	1165	1124	1074	1014	943	863
	Adjustment path		161	159	157	155	152	149	145	141	137	131

Type 11.101.80.1.1

Driven pulleys		Rated diameter										
		280	315	355	400	450	500	560	630	710	800	
		Smallest axis distance										
Variable speed belt size 70	Inner belt length	1700	377									
		1800	427	400								
		2000	527	500	469	434						
		2240	647	620	589	554	513	471				
		2500	777	751	719	684	643	602	551			
		2800	927	901	869	834	793	752	701	641	569	
		3150	1102	1076	1044	1009	969	927	877	817	747	665
		3210	1132	1106	1074	1039	999	958	907	847	777	695
		3520	1288	1261	1229	1194	1154	1113	1063	1003	933	853
	Adjustment path		158	156	155	152	149	146	143	139	135	129

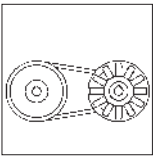
Values in [mm]



Selection tables

Type	Motor speed [min ⁻¹]	Power [kW]	Inner counter pulley diameter [mm]								
			80	90	100	112	125	140	160	170	180
11.104.05.6.1	2810	0.55	3961- 1591	3535- 1420	3192- 1282	2859- 1148	2569- 1032	2299- 924	2017- 810		1797-722
	1380	0.37	1945- 781	1736- 697	1568- 630	1404- 564	1261- 507	1129- 454	991- 398		882-354
	910	0.25	1283- 515	1145- 460	1034- 415	926- 372	832- 334	745- 299	653- 262		582-234
	675	0.18	952- 382	849- 341	767- 308	687- 276	617- 248	552- 222	485- 195		432-173
11.104.10.6.1	2820	1.1	5069- 1880		4094- 1518	3671- 1361	3301- 1224	2957- 1097	2596- 963		2314-858
	1400	0.75	2517- 933		2033- 754	1822- 676	1639- 608	1468- 544	1289- 478		1149-426
	920	0.55	1654- 613		1336- 495	1198- 444	1077- 399	965- 358	874- 314		755-280
	670	0.37	1204- 447		973- 361	872- 323	784- 291	703- 261	617- 229		550-204
11.104.20.6.1	2835	2.2					3868- 1407	3465- 1260	3042- 1106		2712-986
	1410	1.5					1924- 700	1723- 627	1513- 520		1349-490
	910	1.1					1242- 451	1112- 404	977- 355		870-317
	670	0.55					914- 332	819- 298	719- 261		641-233
11.104.30.6.1	2880	4						4270- 1430	3753- 1257	3538- 1185	3347-1121
	1410	3						2091- 700	1837- 615	1732- 580	1639-549
	950	1.5						1409- 472	1238- 415	1167- 391	1104-370
	690	1.1						1023- 343	899- 301	848- 284	802-269

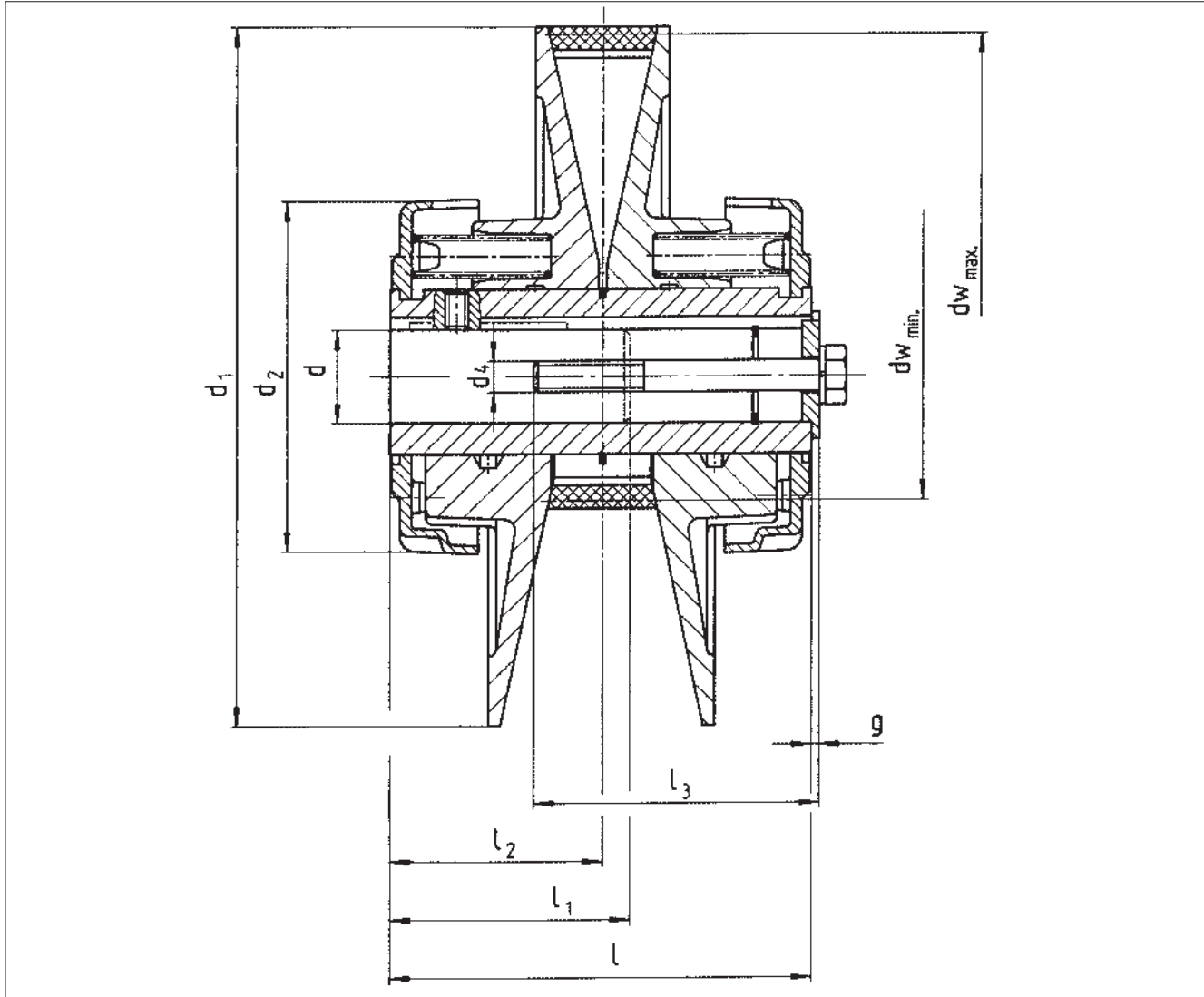
Type	Motor speed [min ⁻¹]	Power [kW]	Inner counter pulley diameter [mm]								
			200	224	250	280	315	355	400	450	500
11.104.05.6.1	2810	0.55	1620- 651	1448- 582	1299- 522	1162- 467	1034- 415				
	1380	0.37	795- 320	711- 286	638- 256	571- 229	508- 204				
	910	0.25	524- 211	469- 188	421- 169	376- 151	335- 134				
	675	0.18	389- 157	348- 140	312- 125	279- 112	248- 100				
11.104.10.6.1	2820	1.1	2087- 774	1868- 693	1676- 622	1499- 556	1335- 495	1186- 440			
	1400	0.75	1036- 384	927- 344	832- 309	744- 276	663- 246	589- 218			
	920	0.55	681- 253	609- 226	547- 203	489- 181	435- 162	387- 144			
	670	0.37	496- 184	444- 165	398- 148	356- 132	317- 118	282- 105			
11.104.20.6.1	2835	2.2	2446- 889	2188- 796	1964- 713	1757- 639	1564- 569	1390- 505	1235- 449	1099- 400	
	1410	1.5	1216- 442	1088- 396	977- 355	874- 318	778- 283	691- 251	614- 223	547- 199	
	910	1.1	784- 285	702- 255	631- 229	564- 205	502- 183	446- 162	396- 144	353- 128	
	670	0.55	578- 210	517- 188	464- 169	415- 151	370- 134	328- 119	292- 106	260- 94	
11.104.30.6.1	2880	4	3020- 1016	2704- 906	2428- 813	2173- 728	1935- 648	1720- 576	1720- 512	1361- 456	1226-411
	1410	3	1479- 495	1324- 443	1189- 398	1064- 356	947- 317	842- 282	749- 251	666- 223	600-201
	950	1.5	996- 334	892- 299	801- 268	717- 240	638- 214	567- 190	504- 169	449- 150	404-135
	690	1.1	724- 242	648- 217	582- 195	521- 174	464- 155	412- 138	366- 123	326- 109	294- 98



Variable speed pulleys

Type 11.104

Dimensions



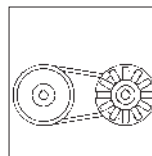
6

Type	Belt size	d ^{H7} 1)		d _w		d ₁	d ₂	Clamping screw ²⁾		g	l	l ₁ min.	l ₂	J [kg m ²]	m [kg]
		min.	Stand	min.	max.			Bore	d ₄ x l ₃						
11.104.05.6.1	22	11	14/19	47	117	120	68	d < 14 d > 14	M 6x 55 M 6x 50	1.5	72	30	36	0.00062	0.77
11.104.10.6.1	28	14	19/24	56	151	155	80	d < 19 d > 19	M 6x 70 M 8x 65	2	94	35	47	0.0022	1.4
11.104.20.6.1	28	19	24/28	64	176	180	90	d < 24 d > 24	M 8x 75 M 10x 70	2	108	40	54	0.0038	2
11.104.30.6.1	37	24	28	72	215	220	104	d < 24 d > 24	M 8x 100 M 10x 95	2	130	50	65	0.0093	3.2

1) Keyway to DIN 6885 part 1

2) Either with clamping screw or threaded pin

Dimensions in [mm]



Distance between axes

Type 11.104.05.6.1

Driven pulleys		Rated diameter													
		80	90	100	112	125	140	160	180	200	224	250	280	315	
		Smallest axis distance													
Variable speed belt size 37	Inner belt length	610	161	154	146	137									
		650	181	174	166	157	147								
		675	194	186	179	169	159	147							
		700	206	199	191	182	172	159							
		750	231	224	216	207	197	185	168						
		800	256	249	241	232	222	210	193	176					
		850	281	274	266	257	247	235	218	201	184				
		900	306	299	291	282	272	260	243	226	209	187			
		950	331	324	316	307	297	285	268	251	234	213	189		
		1000	356	349	341	332	322	310	293	276	259	328	215		
		1060	387	379	371	362	352	340	323	307	289	268	245	217	
		1120	417	409	401	392	382	370	353	337	320	299	276	248	
		1180	447	439	431	422	412	400	383	367	350	329	306	277	246
		1250	482	474	466	457	447	435	418	402	385	364	341	314	282
		1320	517	509	501	492	482	470	453	437	420	400	377	350	318
1400	557	549	541	532	522	510	494	477	460	440	417	390	358		
1500	607	599	591	582	572	560	544	527	510	490	468	441	409		
1600	657	649	641	632	622	610	594	577	561	540	518	492	460		
Adjustment path		55	54	53	53	52	51	50	49	48	46	45	44	43	

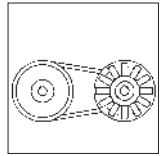
Type 11.104.10.6.1

Driven pulleys		Rated diameter													
		80	100	112	125	140	160	180	200	224	250	280	315	355	
		Smallest axis distance													
Variable speed belt size 47	Inner belt length	650	156	142											
		700	181	167	158										
		750	206	192	183	173									
		800	231	217	208	198	187								
		850	257	242	233	223	212	196	180						
		900	282	267	258	248	237	221	205						
		950	307	292	283	274	262	246	230	213					
		1000	332	317	308	299	287	271	255	239	218				
		1060	362	347	338	329	317	301	285	269	248	226			
		1120	392	377	368	359	347	331	315	299	278	256	229		
		1180	422	407	398	389	377	361	345	329	309	286	260		
		1250	457	443	433	424	412	396	380	364	344	322	295	267	
		1320	492	478	469	459	447	431	415	399	379	357	331	299	
		1400	533	518	509	499	487	471	455	439	419	397	371	340	303
		1500	583	568	559	549	537	521	505	489	469	447	421	390	354
1600	633	618	609	599	587	571	555	539	519	497	472	441	405		
Adjustment path		76	75	73	72	71	70	68	67	65	64	62	60	59	

Values in [mm]

Variable speed pulleys

Calculation of axis distance



The tables on pages 6-8 to 6-10 and 6-13 to 6-14 list the smallest axis distance for different inner diameters of the driven wheel depending on different inner belt lengths.

Use the following equations for the calculation.

$$A \text{ or } A_1 = \frac{1}{2} \left[L_w - 1.57 (D_w + d_w) - \frac{(D_w - d_w)^2}{L_w} \right]$$

$$s = A_1 - A$$

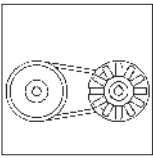
$$L_w = 2 A + 1.57 (D_w + d_w) + \frac{(D_w - d_w)^2}{4 A}$$

$$L_w = L_i + x$$

Variable speed belt size	22	28	37	47	55	70
X in mm	28	38	47	61	75	85

- A = smallest axis distance for largest variable speed pulley diameter (max. output speed)
- A₁ = largest axis distance for smallest variable speed pulley diameter (min. output speed)
- s = adjustment path, roughly applicable: large adjustment path for small driven pulleys, small adjustment path for large driven pulleys. The tables on pages 6-8 to 6-10 and 6-13 to 6-14 give the values for the adjustment path.
- D_w = effective diameter of larger pulley (can be largest effective diameter of variable speed pulley or effective diameter of driven pulleys).

- d_w = effective diameter of smaller pulley (can be smallest effective diameter of variable speed pulley or effective diameter of driven pulleys). For d_w values see tables on pages 6-7, 6-12 and 6-19.
- L_w = effective length of variable speed belt
- L_i = inner length of variable speed belt



Variable speed pulleys

Motor slide

Simplabelt motor slides are rugged and very flat. The surface is very strong and ensures smooth running of the variable speed pulleys. The adjustment range is limited by two stops. 4 slide sizes in 4 designs are available.

Normal design

The spindle with belt wheel is bent by 30° to the top.

U design

Like normal design but the spindle is bent to the bottom.

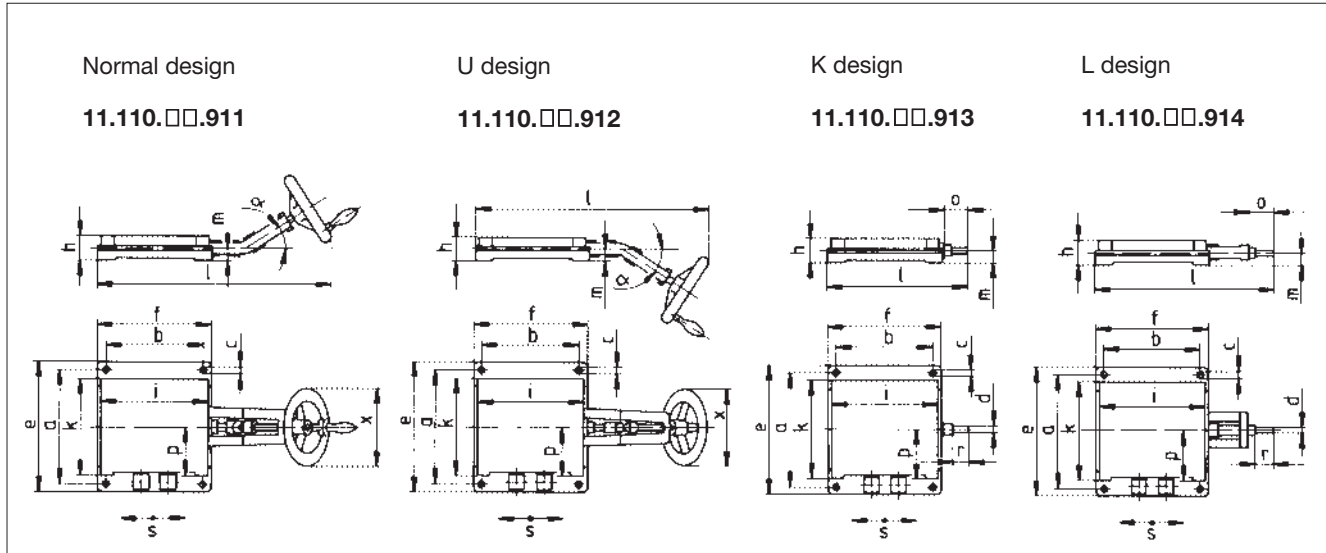
K design

Short spindle

This design is necessary to extend the spindle.

L design

Long spindle – for chain and bevel wheel adjustment.

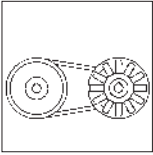


Size	Type	a	b	c	d k ₆	e	f	h	i	k	l	m	o	p	r	s*	x	α°	m kg
05	11.110.05.911	160	170	9	-	180	195	47	150	150	305	25	-	75	-	67	80	30	5
	11.110.05.912				8						13		-						
	11.110.05.913				8						23		-						
	11.110.05.914				8						23		-						
20	11.110.20.911	210	180	13	-	240	210	44	235	215	418	25.5	-	90	-	97	142	33	11
	11.110.20.912				-						-		142		33				
	11.110.20.913				12						48		-						
	11.110.20.914				12						46		-						
40	11.110.40.911	235	255	13.5	-	270	290	60	290	235	521	32	-	100	-	142	140	30	18.5
	11.110.40.912				-						-		140		30				
	11.110.40.913				12						62		-						
	11.110.40.914				12						47		-						
70	11.110.70.911	255	435	14	-	290	470	60	400	360	706	28	-	180	-	180	180	30	38
	11.110.70.912				-						-		180		30				
	11.110.70.913				16						53		-						
	11.110.70.914				16						22		-						

s* indicates the max. adjustment path. The adjustment path required is calculated according to the equation on page 6-15.

Roughly applicable: Large adjustment path for small driven pulleys, small adjustment path for large driven pulleys

Dimensions in [mm]



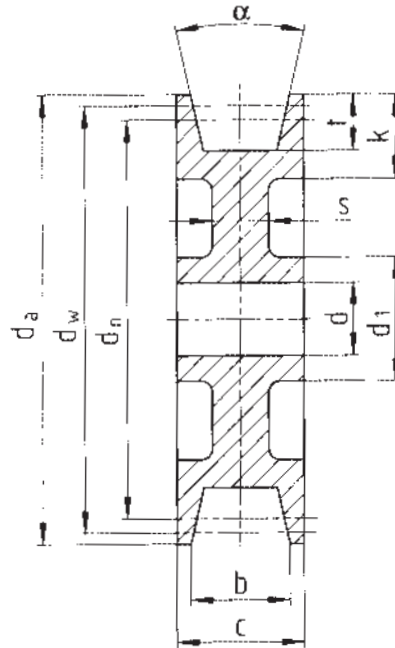
Variable speed pulleys

Driven pulleys

Simplabelt driven pulleys are made of cast iron and are statically balanced. The running grooves match the dimensions of the Simplabelt variable speed belts. The size designation refers to the corresponding spring-loaded variable speed pulley type 101 or 104.

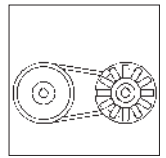
The driven pulley is mounted onto the machine shaft to be driven or the input shaft of a reducing gearbox.

The ready-bored driven pulleys are delivered with keyway to DIN 6885 sheet 1 and ISO fit H 7. Therefore the shaft fit should be ISO-k 6. Please indicate in your order designation, rated diameter and bore.



Variable speed pulleys

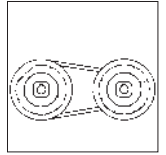
Driven pulleys



Type	Variable speed pulley type 11.101 11.104 Size		Variable speed belt size	b	c	k	s	t	§°
11.110.05.921 11.110.05.922	05	05	22	22	26	25	13	17	25
11.110.10.921 11.110.10.922	10	10/20	28	28	32	28	13	18	25
11.110.20.921 11.110.20.922	20	30	37	37	43	39	13	20	28
11.110.40.921 11.110.40.922	30/40/45	-	47	47	52	32	13	22	28
11.110.50.921 11.110.50.922	55	-	55	55	70	40	14	28	28
11.110.70.921 11.110.70.922	65/80	-	70	70	85	49	15	37	28

Type	dn	Inner diameter of driven pulleys																											
		80	90	100	112	125	140	160	170	180	200	208	224	250	280	315	355	400	450	500	560	630	710	800					
11.110.05.921	d1)						10		10	10		10	10	10															
	d max.	28	28	28	28	30	30	30		30	30		35	35	35	40													
11.110.05.922	d 1				45	50	50	50		55	55		55	55	55	65													
	da	86	96	106	118	131	145	166		186	206		230	256	286	321													
11.110.10.921	dw	83	93	103	115	128	143	163		183	203		227	253	283	318													
	d1)						10	10		10	10		10	10	12	12	12	12	12										
11.110.10.922	d max.	30		30	35	35	28*	40		40	40		40	40	45	45	45	50	50										
	d 1						44	65		65	65		65	65	70	70	70	70	70										
11.110.20.921	da	88		108	120	133	148	168		188	208		232	258	288	323	363	408	458										
	dw	84		104	116	129	144	164		184	204		228	254	284	319	359	404	454										
11.110.20.922	d1)					12	12	14	14	14	14		14	14	14	14	14	14	14										
	d max.					40	28*	40	30*	40	30*		45	45	45	45	50	50	50	50									
11.110.40.921	d 1						48	65	48	65	50		70	70	70	70	80	80	80	80									
	da					135	150	170	180	190	210		234	260	290	325	365	410	460	510									
11.110.40.922	dw					130	145	165	175	185	205		229	255	285	320	360	405	455	505									
	d1)						14	16		16	16	16	16	16	18	18	18	18	18	18									
11.110.50.921	d max.						40	40		40	50	50	50	50	50	40	55	60	60	65									
	d 1							75	75	85	85	85	85	85	85	64	95	95	95	105									
11.110.50.922	da						153	173		193	213	221	237	263	293	328	368	413	463	513									
	dw						146.5	166.5		186.5	206.5	214.5	230.5	256.5	286.5	321.5	361.5	406.5	456.5	506.5									
11.110.70.921	d1)											18	18	18	20	20	20	20	22	22	22	22	25	25	28	28			
	d max.											55	55	55	60	60	60	60	70	70	70	70	75	75	80	80			
11.110.70.922	d 1											90	90	90	95	95	95	95	110	110	110	120	120	130	130				
	da											216	240	266	296	331	371	416	466	516	576								
11.110.70.922	dw											208	232	258	288	323	363	408	458	508	568								
	d1)														22	22	22	22	22	22	25	25	28	28					
11.110.70.922	d max.														60	60	60	70	70	70	75	75	80	80					
	d 1														95	95	95	110	110	110	120	120	130	130					
11.110.70.922	da														298	333	373	418	468	518	578	648	728	818					
	dw														289	324	364	409	459	509	569	639	719	809					
		Full pulleys						Full ground												Spoke design									

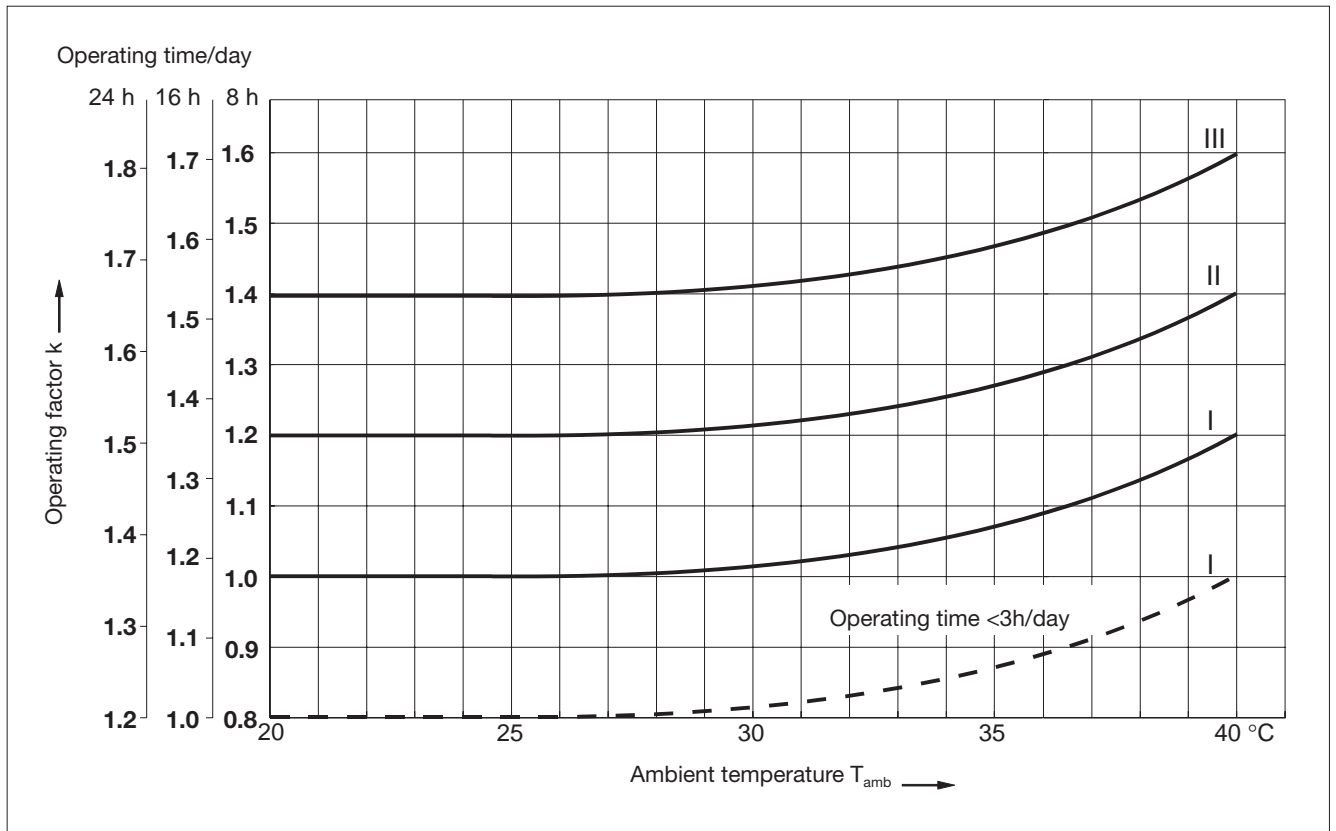
1) Pre-bored hole
 * Spoke design only in position 2
 Values in [mm]

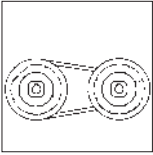


Selection

Simplabelt variable speed pulleys are selected according to the power P_2 and output speeds n_2 required. It is important to consider that the power and torque required for the machine to be driven might be different for max. and min. speeds. The power to be transmitted can be obtained from

the corresponding power characteristic of the variable speed pulleys. The power data given in these characteristics refer to an operating time of 8h/day and 100 % duty time and shock-free operation. For other operating conditions, please see the operating factors in the diagram.





Variable speed pulleys

Type 11.213/11.218

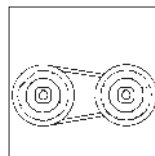
Selection table

Three-phase AC motor			Variable speed pulleys		
Power kW	Size	Load speed min ⁻¹	Output speed min ⁻¹	Transm. power kW	Size
Variable speed pulleys 11.213/218					
0.37/0.25 0.25/0.18 0.18/0.12	71	1380 910 680	3320-600 2190-400 1635-300	0.35-0.2 0.22-0.15 0.18-0.1	10 SEF-920
1.5/1.1/0.75 1.1/0.75/0.55 /0.55/0.37	90/80	1400 920 675	3285-620 2160-410 1585-305	1.3-0.5 0.95-0.4 0.65-0.3	13 SEF-926
3/2.2/1.5 2.2/1.5/1.1 1.1/0.55	100/90	1410 920 710	3540-580 2310-380 1780-290	2.6-1.1 1.7-0.7 1.3-0.5	16 SEF-926
5.5 ¹⁾ /4/3 3/2.2/1.5 1.5/1.1	112/100	1420 940 700	3675-565 2435-375 1800-280	4.7-1.7 3.0-1.1 2.3-0.8	20 SEF-926
11/9.2/7.5 7.5/5.5/4 4/2.2	160/132	1440 960 710	3725-570 2485-380 1840-280	9.4-3.5 6.2-1.8 4.6-1.4	25 SEF-928
11/9.2/7.5 7.5/5.5 5.5/4	160/132	1460 965 720	3780-570 2500-380 1865-285	11-5 6.6-3 4.8-2.2	31 SEF-920
18.5/15 15/11 11/7.5	180/160	1460 965 720	3780-570 2500-380 1865-285	18.5-7.1 15-5.7 11-3.8	31 SEF-921
45/37/30/22 30/22/15 22/15/11	225/200/180	1460 954 720	2740-485 1810-320 1350-240	40-12 26-8 19-6	40 SEF-926

¹⁾ Motor with shaft like size 112

Variable speed pulleys

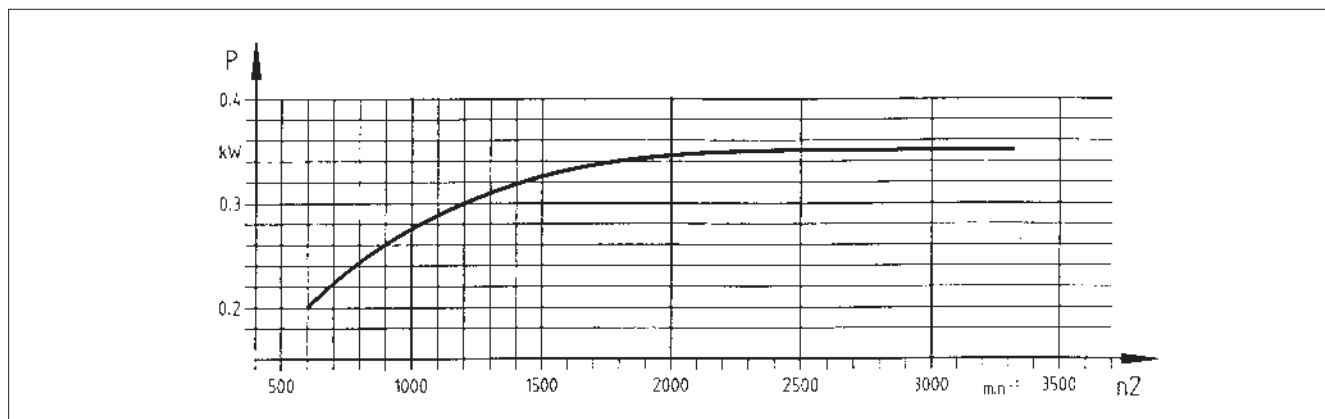
Type 11.213.10



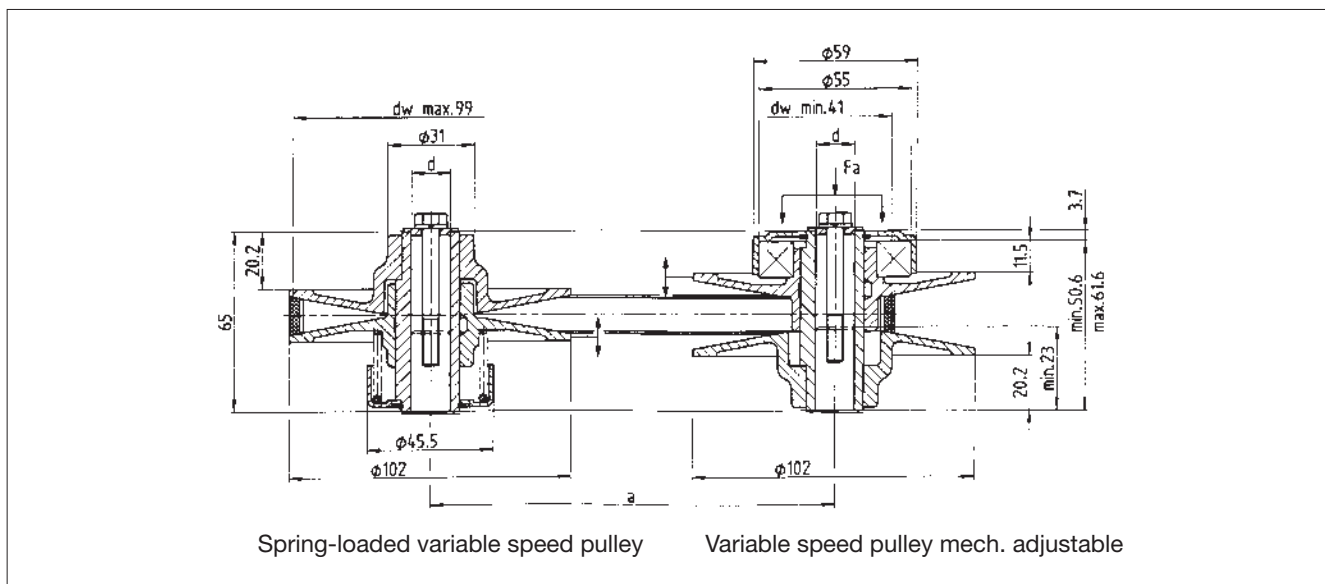
Technical data

$P_1 = 0.25/0.37 \text{ kW}$			
Adjustment range	R:	5.8	
Variable speed belt	:	14x5mm	
Mass	m:	0.46 kg 0.35 kg	(...910/911/912) (...920)
Moment of inertia	J:	0.00025 kgm ² 0.00023 kgm ²	(...910/911/912) (...920)
Bores of ISO H7/keyway	min: standard: max:	10 mm 14 mm 14 mm	DIN 6885/1 DIN 6885/1 DIN 6885/1
Adjustment force	Fa max:	300 N	
Belt tension	Fr max:	120 N	

Output power at $n_1 = 1450 \text{ min}^{-1}$

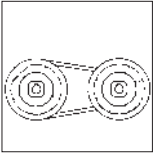


Dimensions



Axis distance a	133	136	149	162	174	204	224	250	275	300	325	350	375	400
Inner belt length	468	475	500	525	550	600	650	700	750	800	850	900	950	1000

Dimensions in [mm]



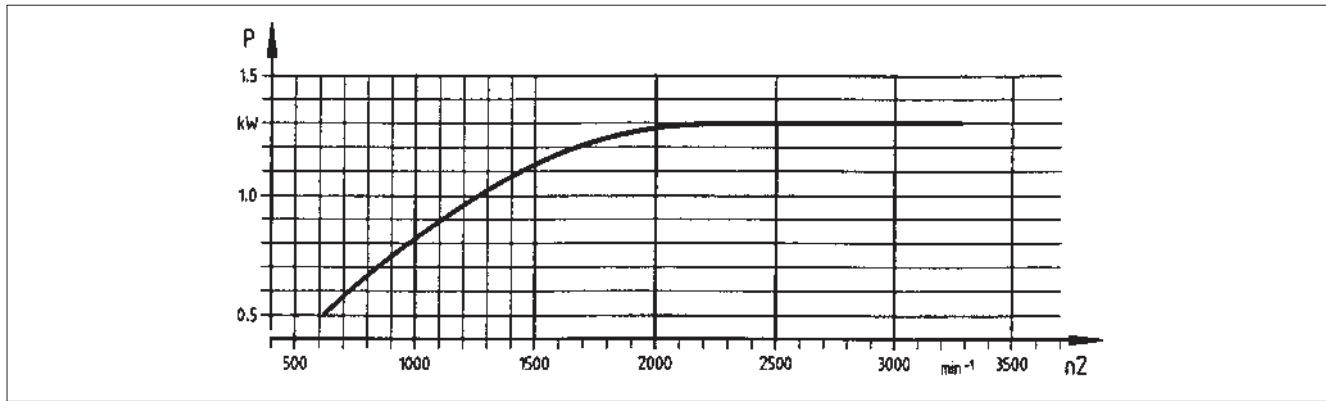
Variable speed pulleys

Type 11.213.13/11.218.13

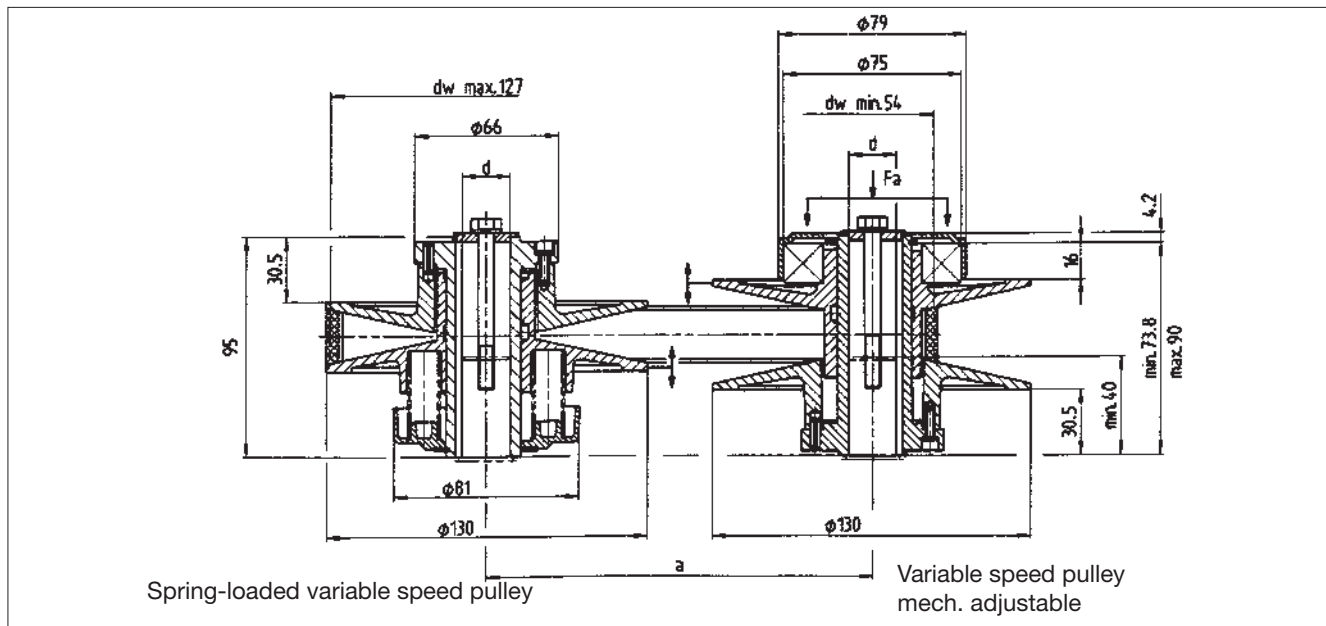
Technical data

$P_1 = 0.55/0.75/1.1/1.5 \text{ kW}$		
Adjustment range	R:	5.5
Variable speed belt	:	22x6mm
Mass	m:	1.4 kg (...910/911/912) 1.2 kg (...926)
Moment of inertia	J:	0.00020 kgm ² (...910/911/912) 0.00018 kgm ² (...926)
Bores of ISO H7/keyway	min: standard: max:	14mm 14; 19; (24) mm 24 mm DIN 6885/1 DIN 6885/1 (/3) DIN 6885/3
Adjustment force	Fa max:	500 N
Belt tension	Fr max:	250 N

Output power at $n_1 = 1450 \text{ min}^{-1}$



Dimensions

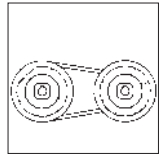


Axis distance a	142	173	193	218	244	269	294	319	344	369	400	430	460
Inner belt length	550	600	650	700	750	800	850	900	950	1000	1060	1120	1180

Dimensions in [mm]

Variable speed pulleys

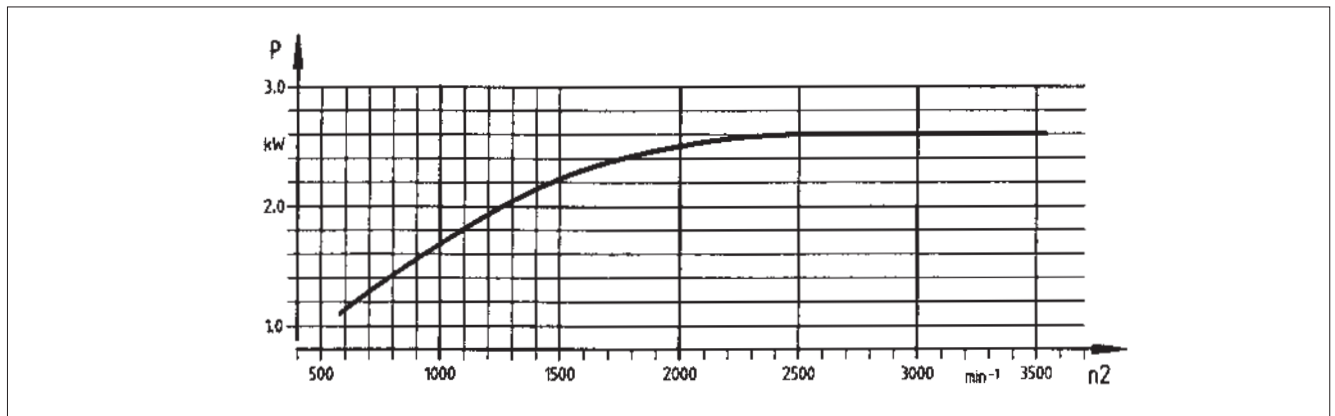
Type 11.213.16/11.218.16



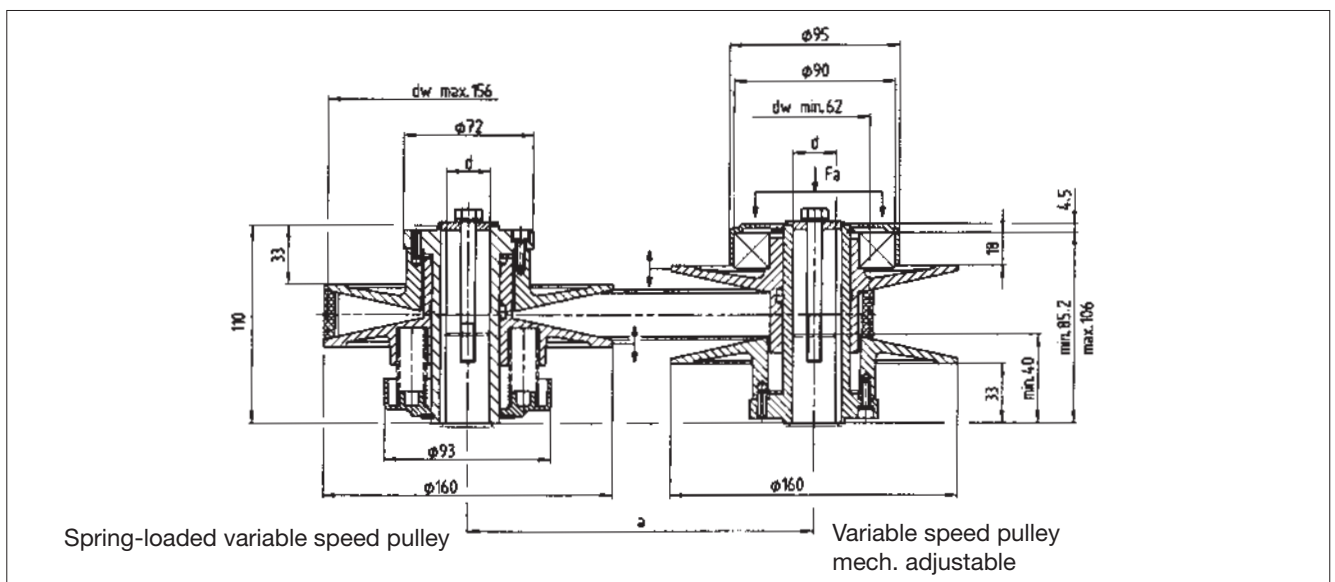
Technical data

$P_1 = 2.2/3 \text{ kW}$			
Adjustment range	R:	6.3	
Variable speed belt	:	28x8mm	
Mass	m:	2.2 kg 1.8 kg	(...910/911/912) (...926)
Moment of inertia	J:	0.0032 kgm ² 0.0032 kgm ²	(...910/911/912) (...926)
Bores of ISO H7/keyway _t	min: standard: max:	18mm 19; 24 (28) mm 28 mm	DIN 6885/1 DIN 6885/1 (/3) DIN 6885/3
Adjustment force	Fa max:	800 N	
Belt tension	Fr max:	380 N	

Output power at $n_1 = 1450 \text{ min}^{-1}$

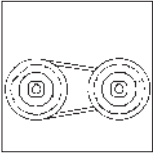


Dimensions



Axis distance a	166	192	217	242	268	293	318	343	373	404	434	469	504	544
Inner belt length	650	700	750	800	850	900	950	1000	1060	1120	1180	1250	1320	1400

Dimensions in [mm]



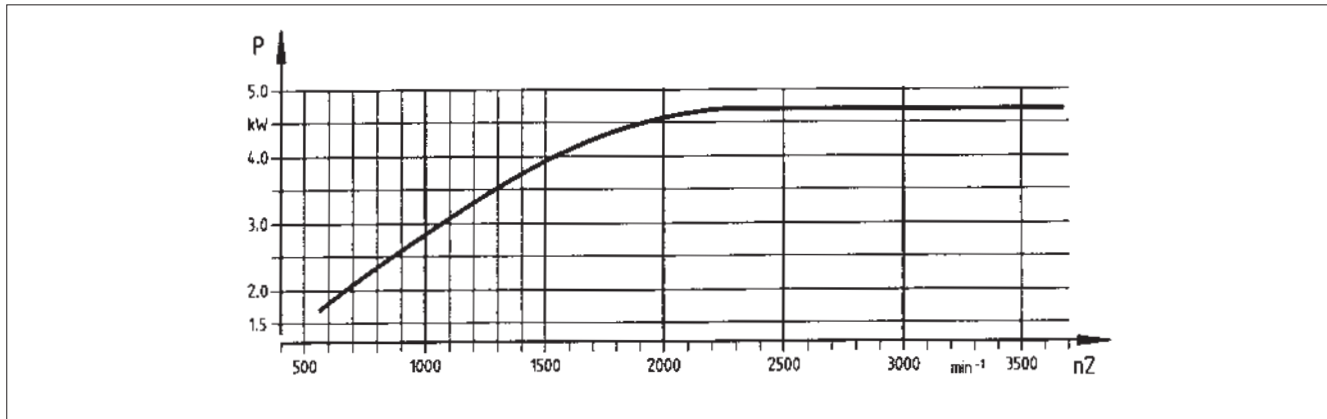
Variable speed pulleys

11.213.20/11.218.20

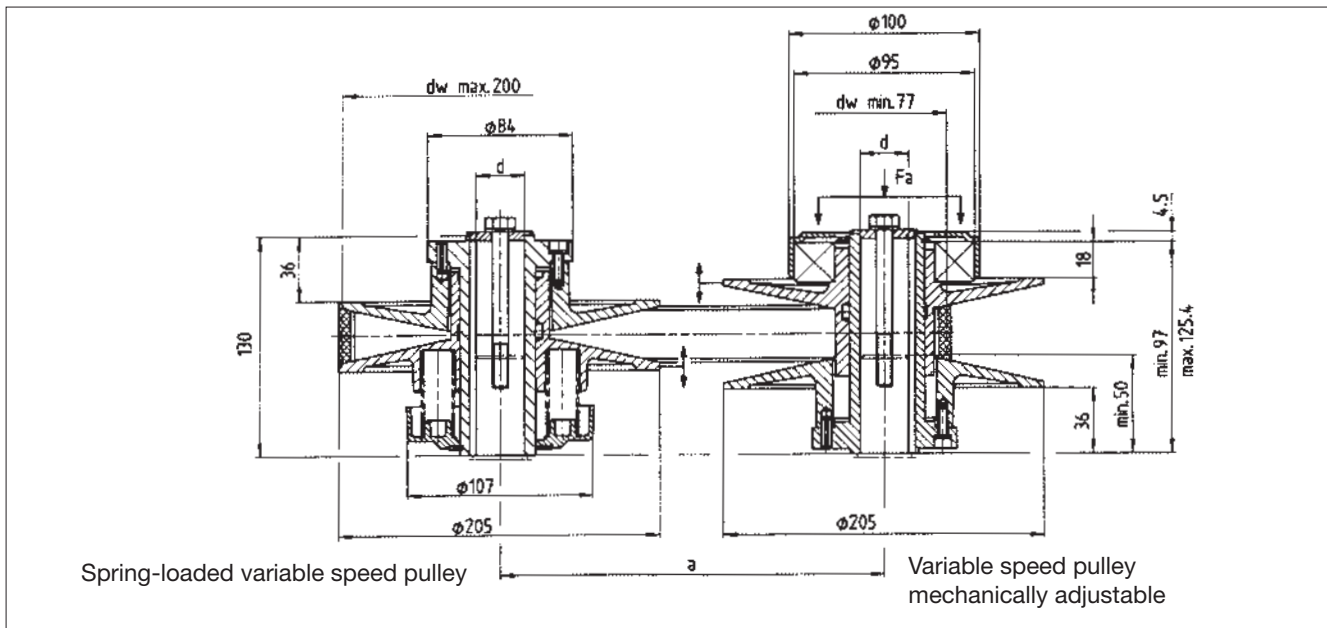
Technical data

$P_1 = 4/5.5 \text{ kW}$		
Adjustment range	R:	6.7
Variable speed belt	:	37x10 mm
Mass	m:	3.4 kg (...910/911/912) 3.3 kg (...926)
Moment of inertia	J:	0.0071 kgm ² (...910/911/912) 0.0092 kgm ² (...926)
Bores of ISO H7/keyway	min: standard: max:	19mm 24; 28; (24) mm 28 mm DIN 6885/1 DIN 6885/1 DIN 6885/1
Adjustment force	Fa max:	1400 N
Belt tension	Fr max:	600 N

Output power at $n_1 = 1450 \text{ min}^{-1}$

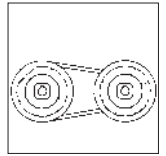


Dimensions



Axis distance a	223	248	274	299	329	360	390	425	461	501	551	602	652
Inner belt length	850	900	950	1000	1060	1120	1180	1250	1320	1400	1500	1600	1700

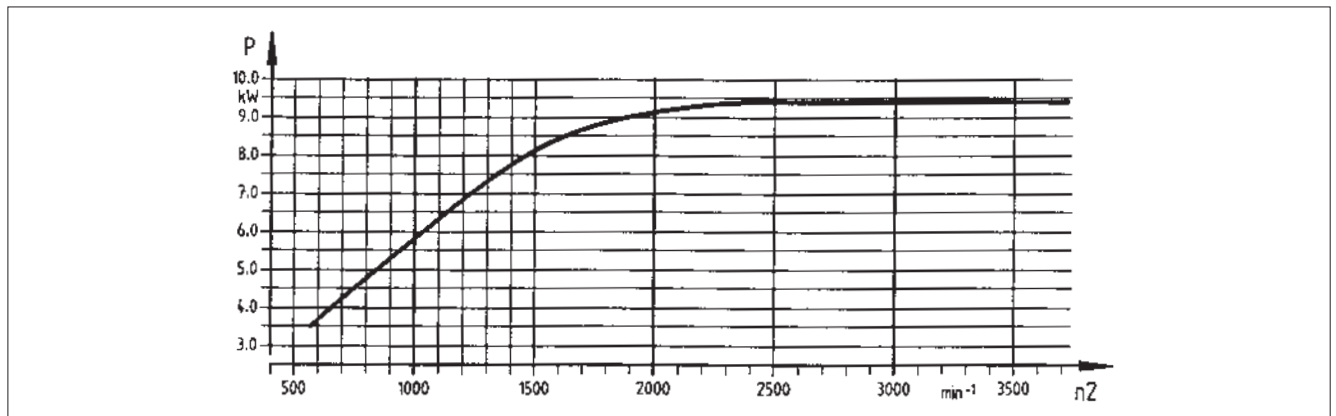
Dimensions in [mm]



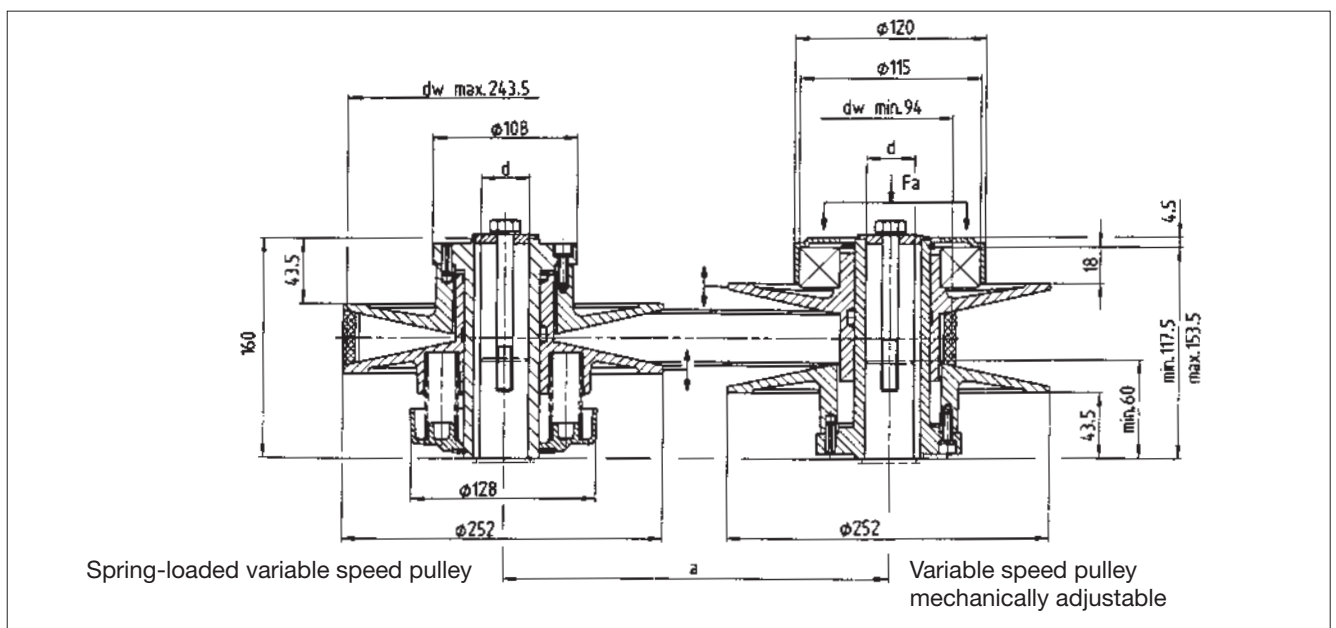
Technical data

$P_1 = 7.5/9.2/11 \text{ kW}$			
Adjustment range	R:	6.7	
Variable speed drive	:	47x13 mm	
Mass	m:	6.6 kg 5.8 kg	(...910/911/912) (...928)
Moment of inertia	J:	0.020 kgm ² 0.026 kgm ²	(...910/911/912) (...928)
Bores of ISO H7/keyway	min: standard: max:	25 mm 28; 38; 42 mm 42 mm	DIN 6885/1 DIN 6885/1 DIN 6885/1
Adjustment force	Fa max:	2000 N	
Belt tension	Fr max:	900 N	

Output power at $n_1 = 1450 \text{ min}^{-1}$

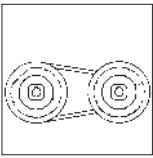


Dimensions



Axis distance a	286	316	347	382	418	458	509	559	609
Inner belt length	1060	1120	1180	1250	1320	1400	1500	1600	1700

Dimensions in [mm]



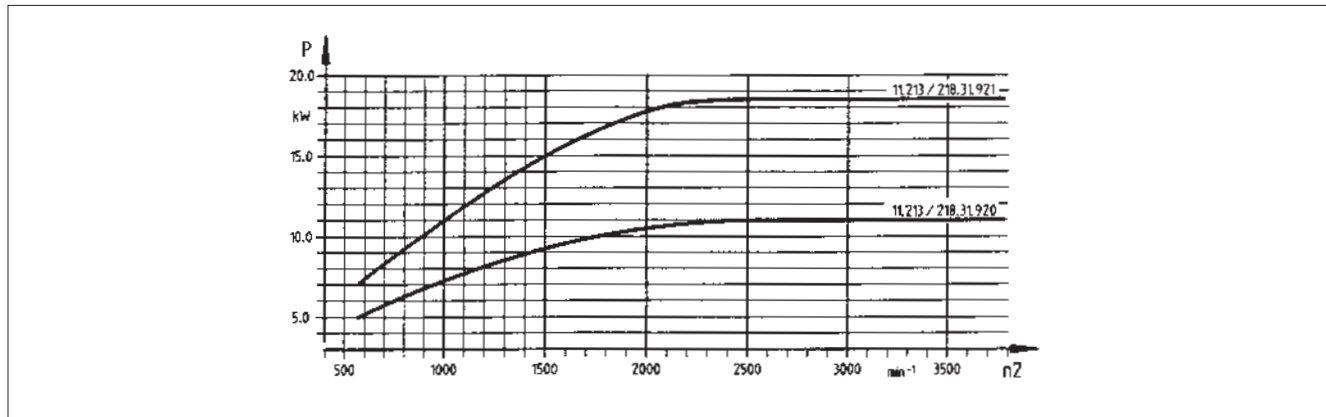
Variable speed pulleys

Type 11.213.31/11.218.31

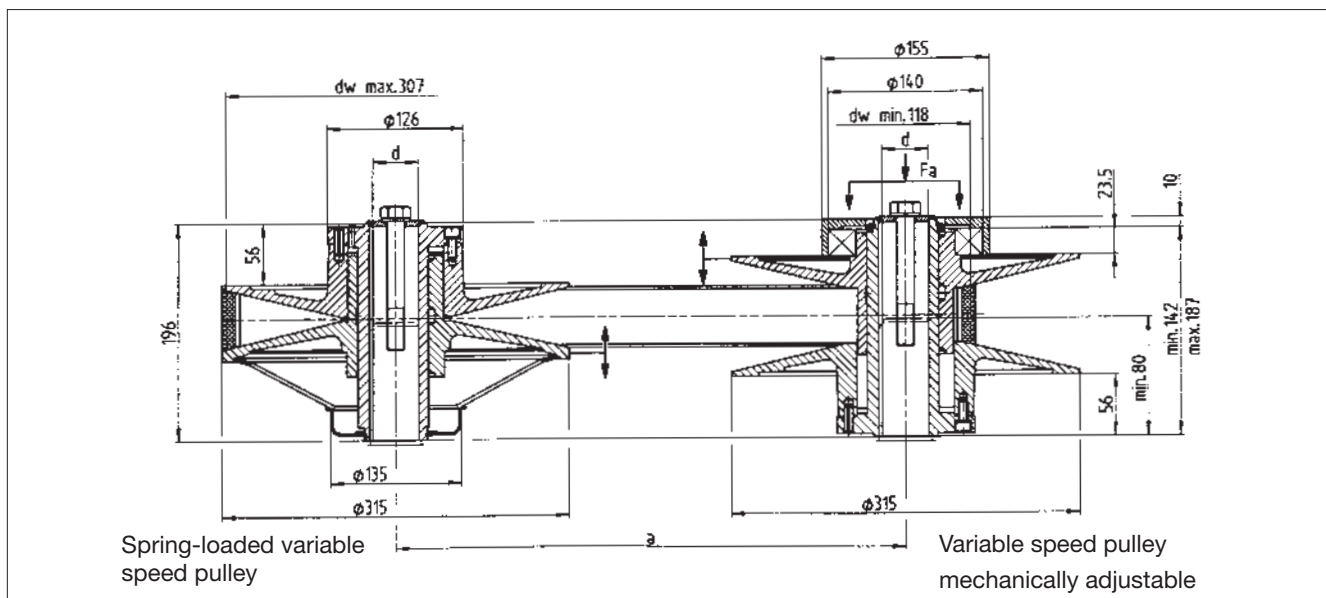
Technical data

$P_1 = 15/18.5 \text{ kW}$		
Adjustment range	R:	6.7
Variable speed belt	:	55x16 mm
Mass	m:	12 kg (...910/911/912) 12 kg (...920/921)
Moment of inertia	J:	0.073 kgm ² (...910/911/912) 0.073 kgm ² (...920/921)
Bores of ISO H7/keyway	min: standard: max:	28 mm 38; 42 mm; (48) 48 mm DIN 6885/1 DIN 6885/1 (/3) DIN 6885/3
Adjustment force	Fa max:	3000 N
Belt tension	Fr max:	1250 N

Output power at $n_1 = 1450 \text{ min}^{-1}$



Dimensions

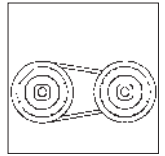


Axis distance a	351	392	443	493	544	595	695	816	947
Inner belt length	1320	1400	1500	1600	1700	1800	2000	2240	2500

Dimensions in [mm]

Variable speed pulleys

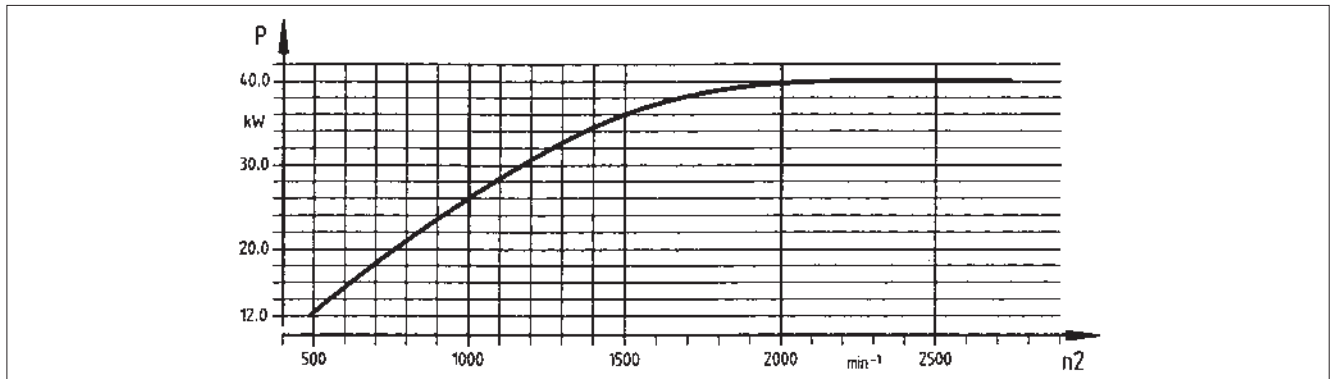
Type 11.213.40/11.218.40



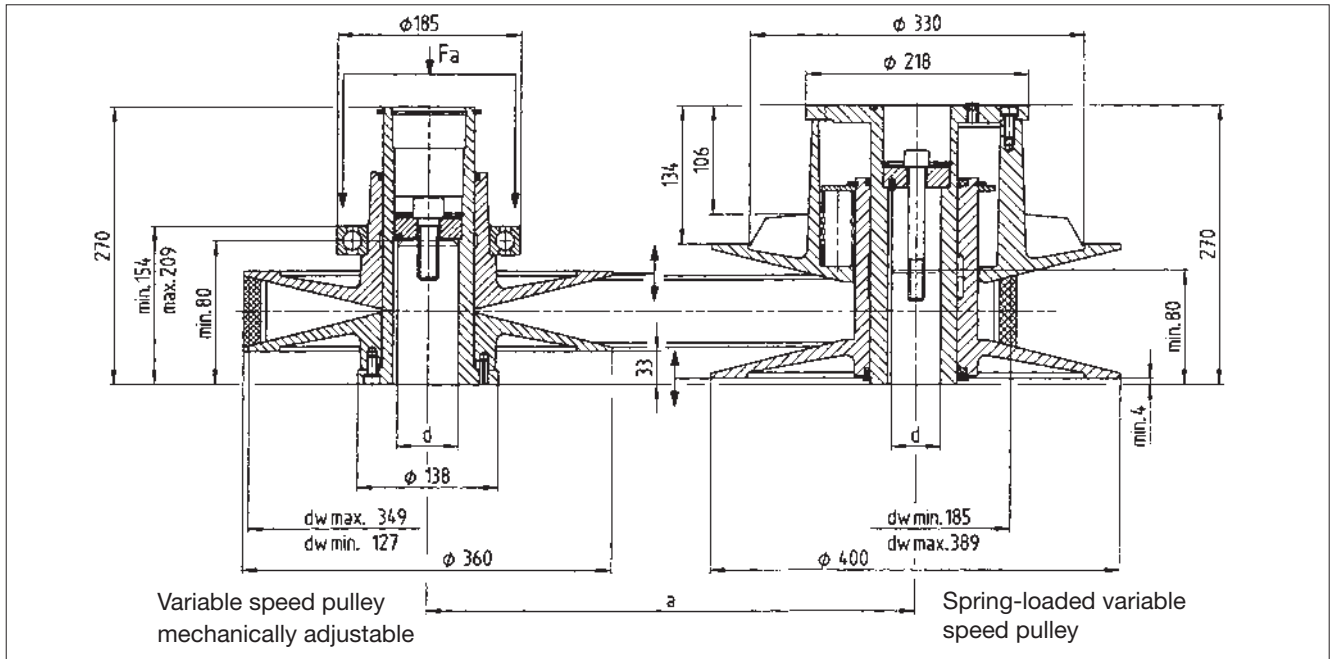
Technical data

$P_1 = 22/30/37/45 \text{ kW}$			
Adjustment range	R:	5.7	
Variable speed belt	:	72x22 mm	
Mass	m:	20.5 kg	(...912)
		28.4 kg	(...926)
Moment of inertia	J:	0.122 kgm ²	(...912)
		0.227 kgm ²	(...926)
Bores of ISO H7/keyway	min:	38 mm	DIN 6885/1
	standard:	38; 42; 48; 55; 60 mm	DIN 6885/1
	max:	60 mm	DIN 6885/1
Adjustment force	Fa max:	4300 N	
Belt tension	Fr max:	1900 N	

Output power at $n_1 = 1450 \text{ min}^{-1}$

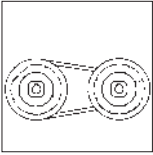


Dimensions



Axis distance a	425	476	500	526	626	747	878	1028	1204	1334	1389
Inner belt length	1600	1700	1750	1800	2000	2240	2500	2800	3150	3210	3520

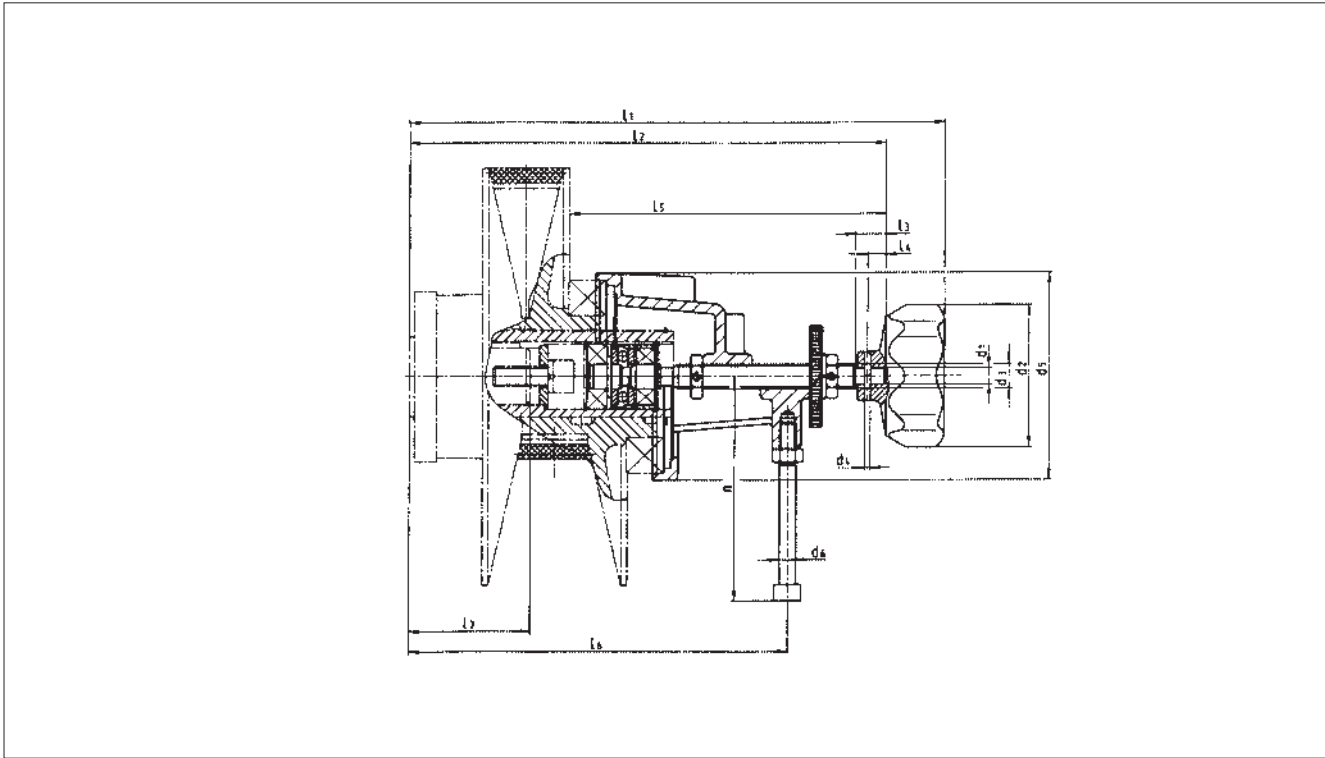
Dimensions in [mm]



Variable speed pulleys

Type 11.213/218

Central adjustment Dimensions



Central adjustment	For variable speed pulleys																	
Type	Type	d_1	d_2	d_3	d_4	d_5	d_6	l_1	l_2	l_3	l_4	l_5		l_6		l_7	n	m
												max	min	max	min	max		kg
11.213.10.932	11.213/218.10.912	12	80	14x1.5	3	70	M 6	165	152	16	11	113	102	126	115	30	80	1.0
11.213.13.933	11.213/218.13.912	8	70	12x2	3	80	M 6	208	179	15	9	122	106	131	115	48 ²⁾	78	0.5
11.213.16.933	11.213/218.16.912	8	70	12x2	3	102	M 8	244	215	15	9	148	127	163	142	52 ³⁾	110	1.0
11.213.20.933	11.213/218.20.912	8	70	12x2	3	102	M 8	264	235	15	9	156	128	185	157	63	110	1.0
11.213.25.933	11.213/218.25.912	12	105	16x2	3	150	M10	331	298	24	17	199	163	235	199	83	130	2.8
11.213.31.933	11.213/218.31.912	12	105	20x2	3	150	M10	370	337	24	17	219	173.5	277	231.5	113	160	3.0
11.213.40.933	11.213/218.40.912	20	200	24x2	6	192	M12	442	422	25	15	311	256	359	304	142	190	6.0

FAX ORDER FORM

Fax No. _____

Sender

Company

Street/Postfach

Postal code City

Date Signature

Customer No.

--	--	--	--	--	--	--	--

Order No.

Name of the person placing the order

Department

Telephone No.

Delivery address (if different from recipient's address)

Street

Postal code City

Invoice address (if different from recipient's address)

Street/Postfach

Postal code City

Delivery desired by _____

Delivery notes _____

Fax order

Compact units

Customer No.

--	--	--	--	--	--

Order No.

pcs. i =

<input type="checkbox"/> GST	<input type="checkbox"/> 1	<input type="checkbox"/> V	<input type="checkbox"/> A	<input type="checkbox"/> R					
<input type="checkbox"/> GKS	<input type="checkbox"/> 2	<input type="checkbox"/> H	<input type="checkbox"/> B	<input type="checkbox"/> K	Motor frame size	-	Compact unit size	<input type="text"/>	<input type="text"/>
<input type="checkbox"/> GSS	<input type="checkbox"/> 3	<input type="checkbox"/> S	<input type="checkbox"/> C	<input type="checkbox"/> L				<input type="text"/>	<input type="text"/>
	<input type="checkbox"/> 4							<input type="text"/>	<input type="text"/>

Position of system modules (non defined positions must be marked with 0)					Mounting position
Shaft	Flange	Terminal box	Motor	Variable speed belt drive	
only for GKS / GSS					<input type="checkbox"/> A
<input type="checkbox"/> 0	<input type="checkbox"/> 0	<input type="checkbox"/> 2	<input type="checkbox"/> 1	<input type="checkbox"/> 2	<input type="checkbox"/> B
<input type="checkbox"/> 3	<input type="checkbox"/> 3	<input type="checkbox"/> 3	<input type="checkbox"/> 6	<input type="checkbox"/> 3	<input type="checkbox"/> C
<input type="checkbox"/> 5	<input type="checkbox"/> 5	<input type="checkbox"/> 4		<input type="checkbox"/> 4	<input type="checkbox"/> D
<input type="checkbox"/> 3+5	<input type="checkbox"/> 3+5	<input type="checkbox"/> 5		<input type="checkbox"/> 5	<input type="checkbox"/> E
					<input type="checkbox"/> F

Dimensions H Hollow shaft d H7= mm

K L Flange diameter a2= mm

Colour Varnish RAL 7012 Primer varnish grey

Options - gearbox

Special lubricant CLP HC 320 CLP H1 220 CLP E 320

Special varnish RAL

Shaft seal Viton

Helical gearbox

reinforced bearing - output shaft

Customer No.

--	--	--	--	--	--

Order No.

Right angle gearbox GKS / GSS

- Torque plate at housing foot
- Torque plate at pitch circle
- 2nd output shaft end
- Shrink disc cover
- Hollow shaft cover - jet-proof
- Mounting kit - hollow shaft retention

Options - compact units

Variable speed adjuster

- Angle adjustment Handwheel in position For permissible positions see page 5-116
- El. remote adjustment Actuating motor in position For permissible positions see page 5-116

Speed measuring unit

- DC speed encoder with analog display
- Pulse encoder with digital display
- Position indicator with handwheel

Options - motor

- Spring-operated brake Brake size Connection voltage V (AC / DC)
- Hand release with lever in position

Disco variable speed drives with gearbox

Customer No.

--	--	--	--	--	--	--

Order No.

Right angle gearbox GKS / GSS

- Torque plate at housing foot
- Torque plate at pitch circle
- 2nd output shaft end
- Shrink disc cover
- Hollow shaft cover - jet-proof
- Mounting kit - hollow shaft retention

Options - Disco variable speed drives

Variable speed adjuster

- Handwheel adjustment
- Bevel gearbox adjustment
- El. Remote adjustment
- Position indicator with handwheel
- Position indicator with handwheel
- Actuating motor i= with analog display

Options - motor

- Spring-operated brake
- Brake size
- Connection voltage V (AC / DC)
- Hand release with lever in position

Fax order

Disco variable speed drives without gearbox

Customer No.

--	--	--	--	--	--

Order No.

--

 Pcs.

1	1	.	7		0	.			.	0	0
---	---	---	---	--	---	---	--	--	---	---	---

Motor frame size

			-		
--	--	--	---	--	--

Position of system modules

(non defined positions must be marked with 0)

Mounting position

Terminal box

 0 2 3 4 5

Handwheel/adjuster

 3 5 A B C D E F

Design with foot

with flange

Colour Varnish RAL 7012

Primer varnish grey

Options

Flange diameter a2=

--

 mm

Special varnish

RAL

--

Variable speed adjuster

Handwheel adjustment

Position indicator with handwheel

Bevel gearbox adjustment

Position indicator with handwheel

El. Remote adjustment

Actuating motor i=

--

with analog display

Options - motor

Spring-operated brake

Brake size

--

Connection voltage

--

V (AC / DC)

Hand release with lever

in position

--

Customer No.

Fax order

Variable speed pulleys

Order No.

Pcs.

Variable speed pulley - mechanically adjustable

1 **1** . **2** **1** . . **9** **1**

Pre-bored

Bored Bore H7 mm

Pcs.

Variable speed pulley - spring-loaded

1 **1** . **2** **1** . . **9** **2**

Pre-bored

Bored Bore H7 mm

Pcs.

Central adjustment

1 **1** . **2** **1** **3** . . **9** **3**

Pcs.

Variable speed pulley

1 **1** . **1** **0** . . .

Pre-bored

Bored Bore H7 mm

Pcs.

Driven pulley

1 **1** . **1** **1** **0** . . **9** **2** **2**

Pre-bored

Bored

Pcs.

Motor slide

1 **1** . **1** **1** **0** . . **9** **1** **1**

Pcs.

Variable speed belt

1 **1** . **1** **1** **0** . . **9** **3** **1**

Inner length li = mm



Lenze Drive Systems GmbH, Postfach 101352, D-31763 Hameln
Site: Hans-Lenze-Straße 1, D-31855 Aerzen, Phone ++49 (0) 5154 82-0, Telefax ++49 (0) 5154 82-21 11
E-Mail: Lenze@Lenze.de · Internet: <http://www.Lenze.com>

Technical alterations reserved · **Printed in Germany 05.06** · Version 2.0 en · 5 4 3 2